



LIMITED EDITION

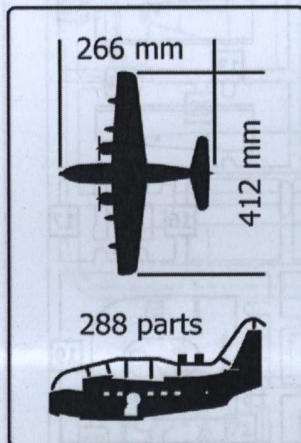
SOVA-M
SVM-72036

SHU-16B Albatross



UNASSEMBLED PLASTIC MODEL KITS

SCALE:1/72



DECALS

TWO VERSION
OF COLOURING



First prototype of amphibia airplane rose into the air in October 1947. Good speed characteristics were ensured by two ten-cylinder engines R-1820-76A, 1425 h.p. each. After the test program, US Navy has adopted new hydroplan for armament. First serial amphibians were produced by Grumman company in June 1949 in SA-16A version (Search Amphibian). In January 1956 new version SA-16B was built with the larger wing-span. Hydroplanes were actively used during the Korean war and in Vietnam. After long patrolling, additional fuselage tank and two suspended vessels under the wing were installed – this allowed to prolong the flight, total duration being 12-14 hours. In Korea and in Vietnam crews of amphibians managed to save lives of 229 pilots. In total 464 aircraft were built in various modifications.

The model is executed on technology short run and is intended only for experienced modelers.

Word-wide distributor for Sova-M kits:
ModelSvit Balkans Ltd. 4003 Plovdiv,
Bulgaria 9, zk Maritza Gardens.
Tel. +359 32 397 069,
E-Mail: modelsvitbalkans@gmail.com
MADE IN UKRAINE

PAINTS


- | | |
|--------------------------------------|-------------------------------------|
| A HUMBROL 34
WHITE | B HUMBROL 11
SILVER |
| C HUMBROL 129
US GULL GREY | D HUMBROL 145
MEDIUM GREY |
| E HUMBROL 33
BLACK | F HUMBROL 19
RED |
| G HUMBROL 182
RUBBER | H HUMBROL 24
YELLOW |
| I HUMBROL 14
BLUE | J HUMBROL 41
IVORY |

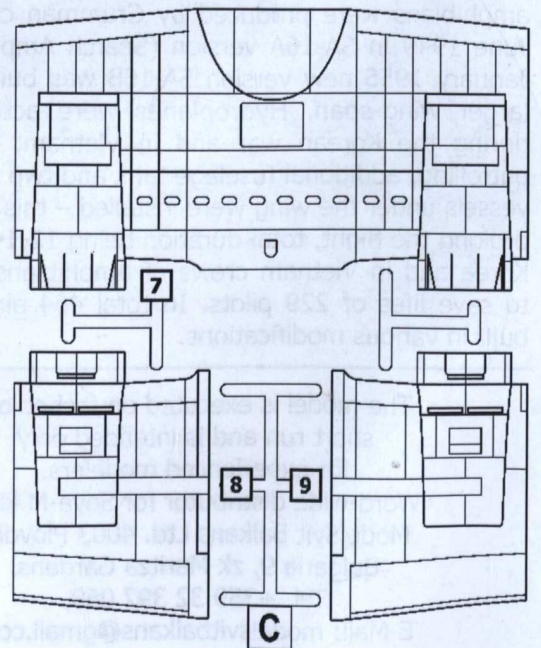
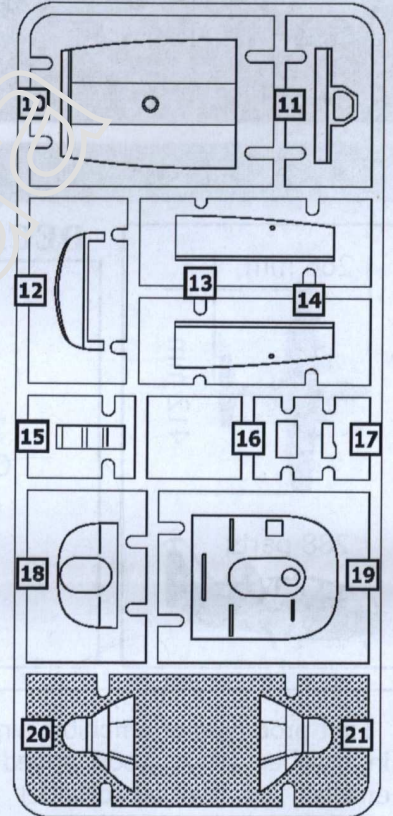
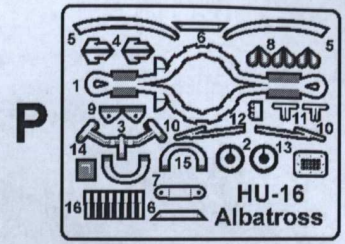
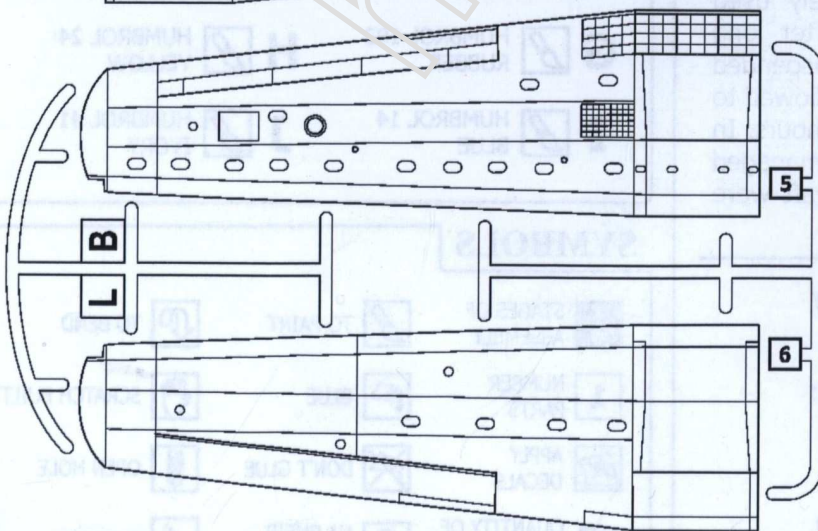
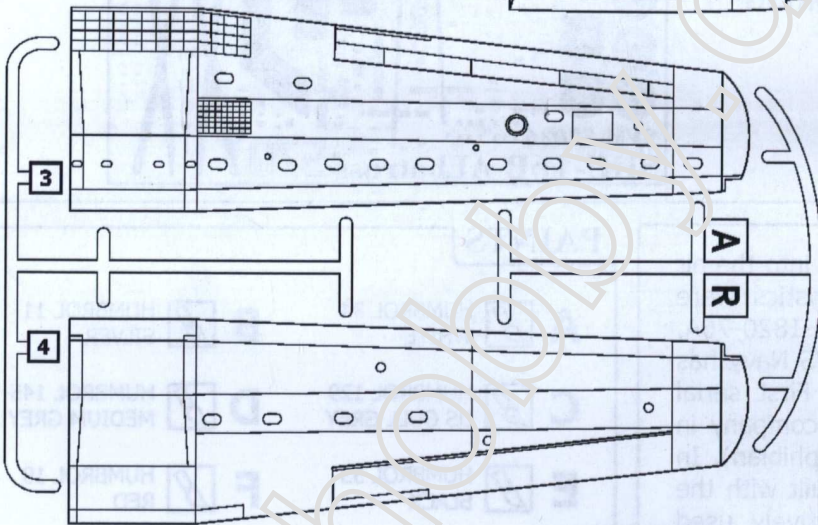
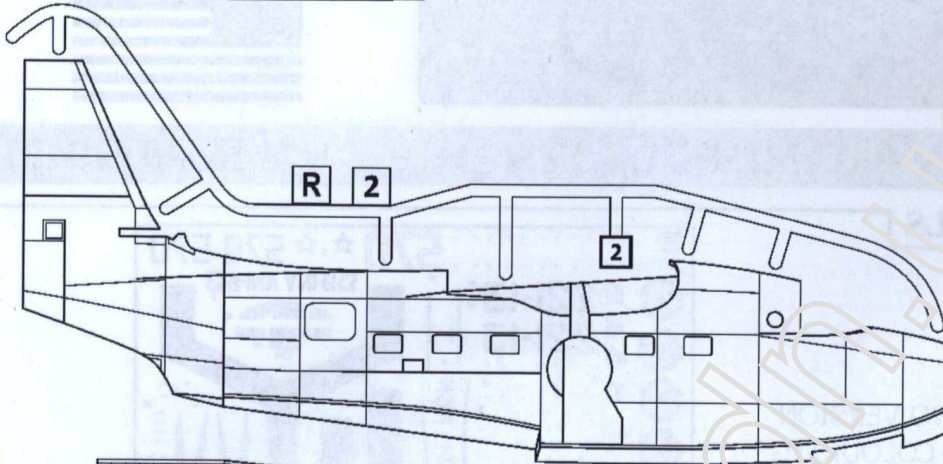
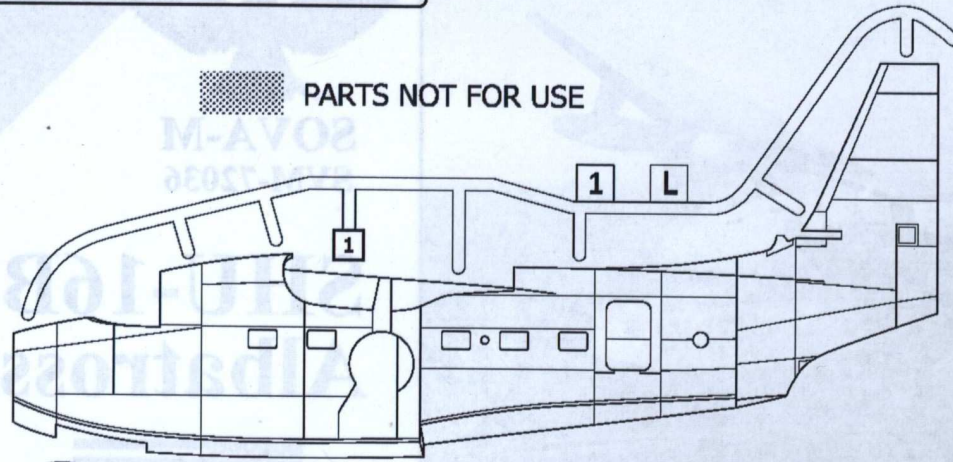
SYMBOLS

- | | | |
|----------------------------------|----------------------|---------------|
| 1 STAGES OF ASSEMBLY | TO PAINT | TO BEND |
| 1 NUMBER PARTS | GLUE | SCRATCH BUILT |
| APPLY DECALS | DON'T GLUE | OPEN HOLE |
| x2 QUANTITY OF OPERATIONS | НА ВИБІР
OPTIONAL | CAT OUT |

SET OF THE PARTS



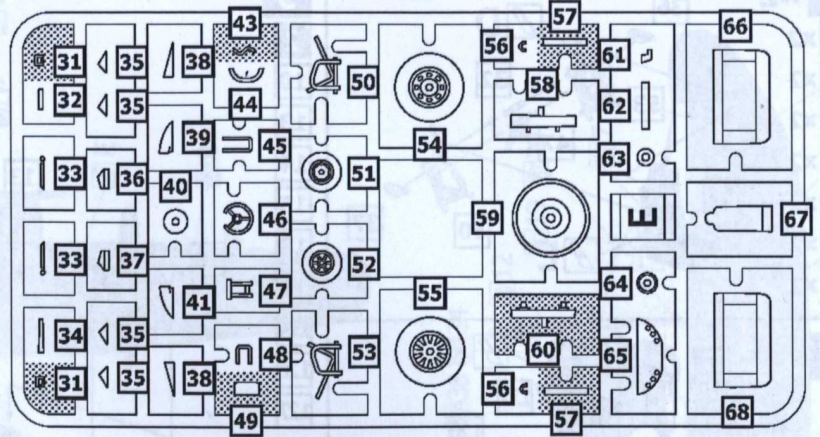
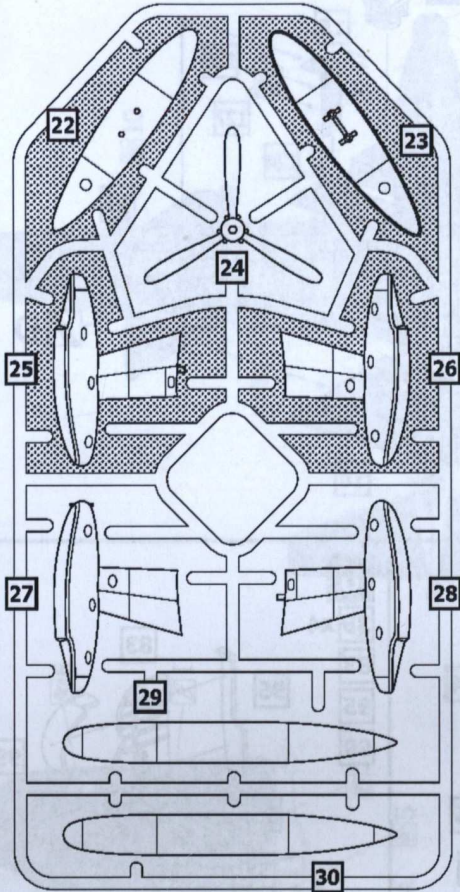
 PARTS NOT FOR USE



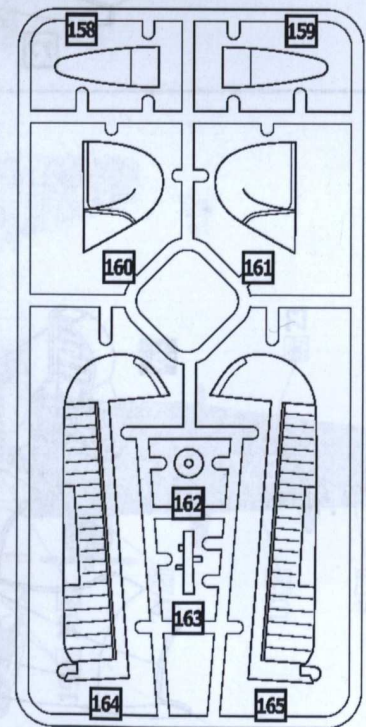
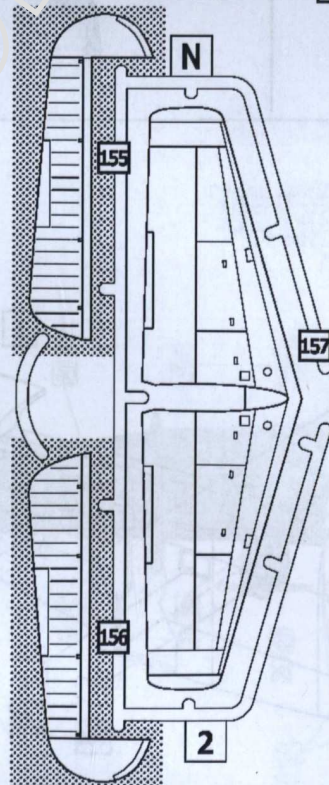
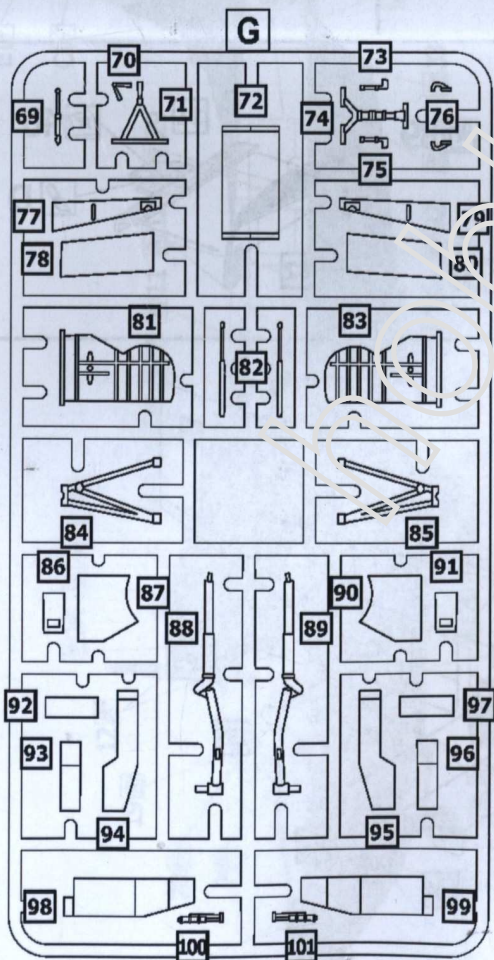
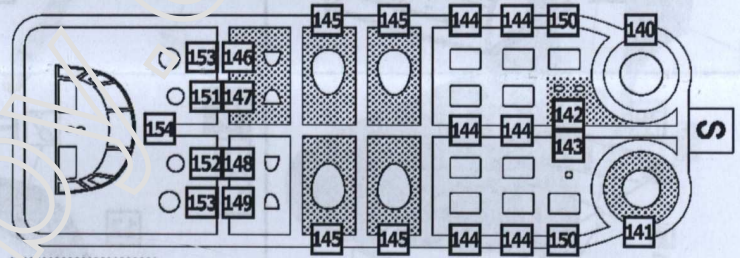
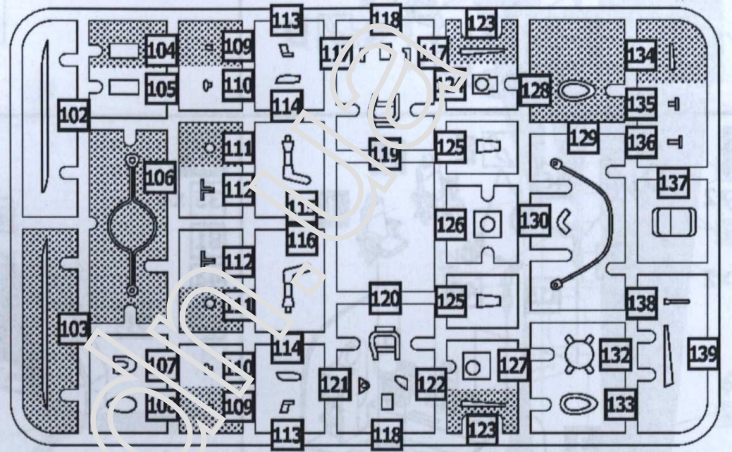
SET OF THE PARTS



x2



x2

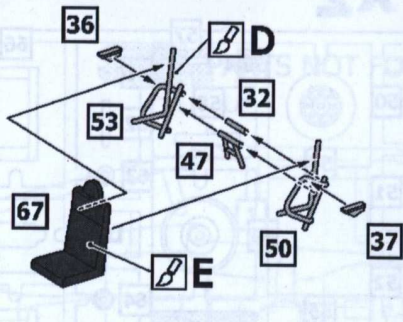


ASSEMBLY INSTRUCTION



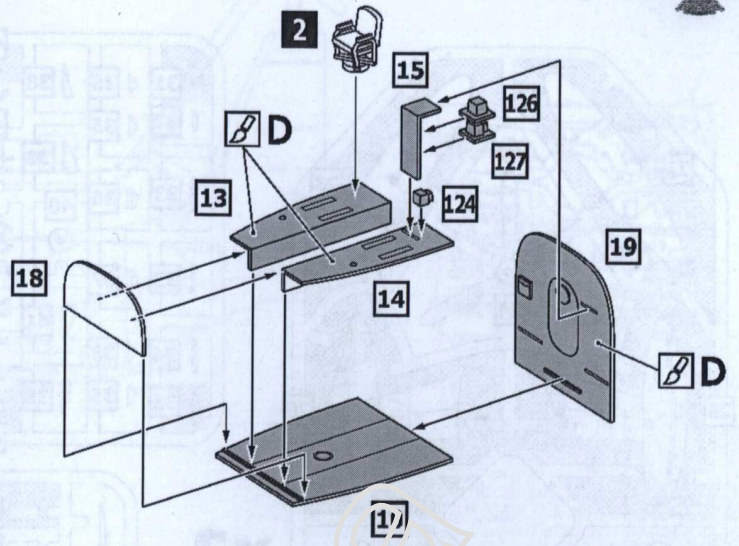
1 x2

- 32 x2
- 36 x2
- 37 x2
- 47 x2
- 50 x2
- 53 x2
- 67 x2



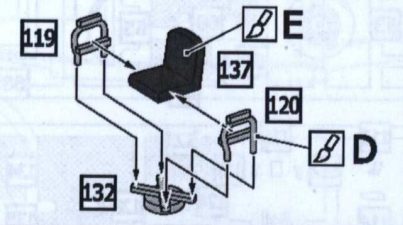
3

- 2
- 10
- 13
- 14
- 15
- 18
- 19
- 124
- 126
- 127



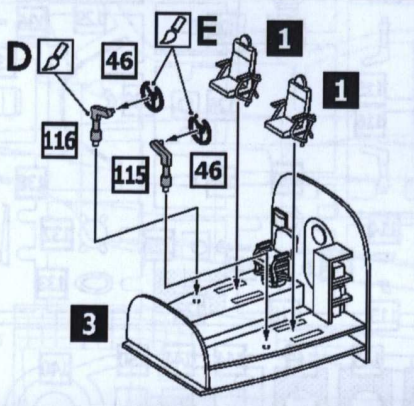
2

- 119
- 120
- 132
- 137



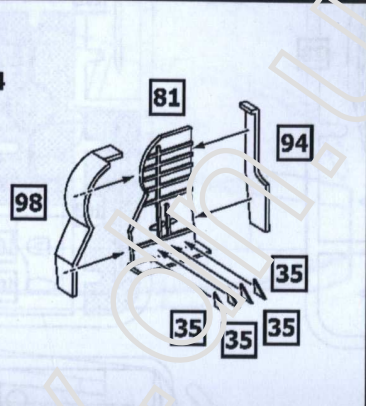
4

- 1 x2
- 3
- 46 x2
- 115
- 116



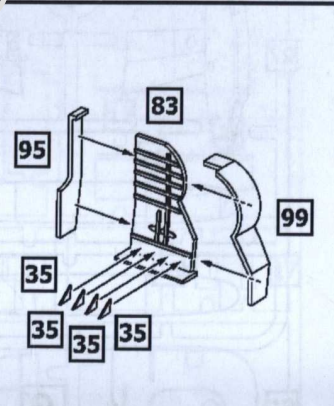
5

- 35 x4
- 81
- 94
- 98



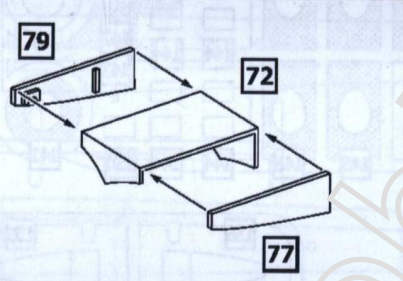
6

- 75 x4
- 83
- 95
- 99



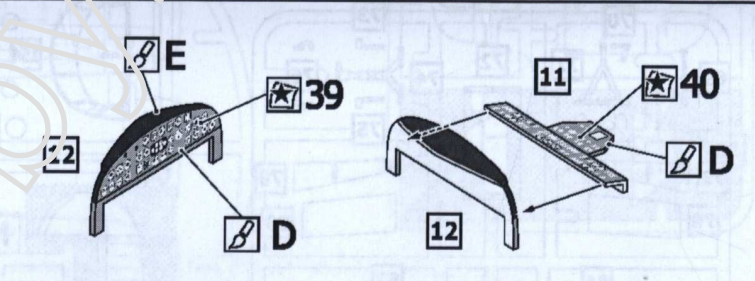
7

- 72
- 77
- 79



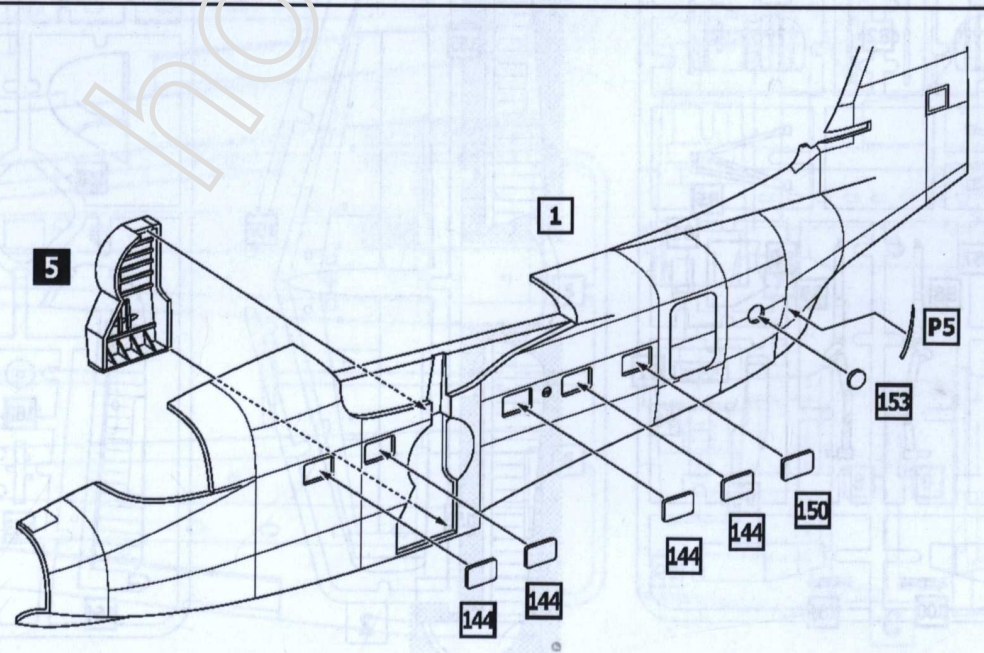
8

- 17
- 12



9

- 5
- 1
- 144 x4
- 150
- 153
- P5



ASSEMBLY INSTRUCTION



10

6

2

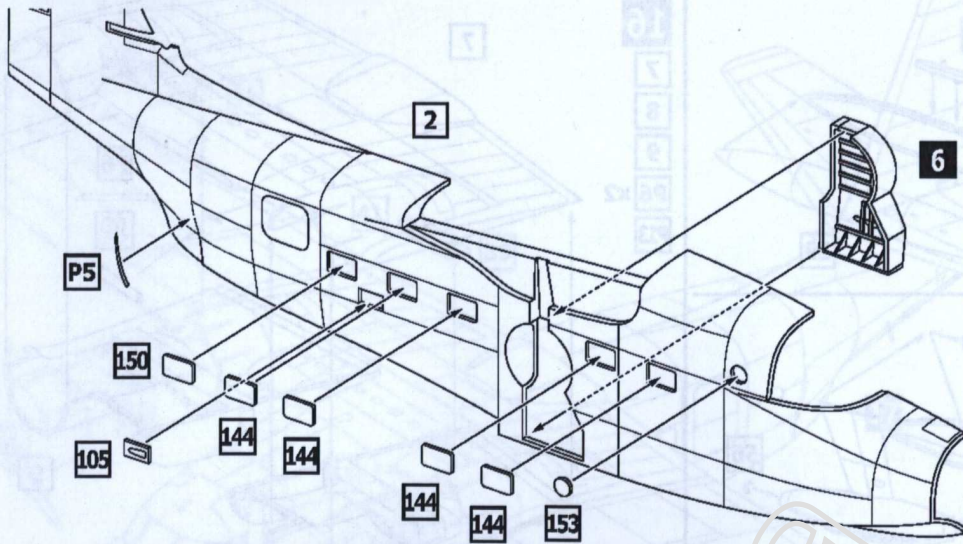
105

144 x4

150

153

P5



11

4

7

8

9

10

16

17

38 x4

102

121

135

136

138

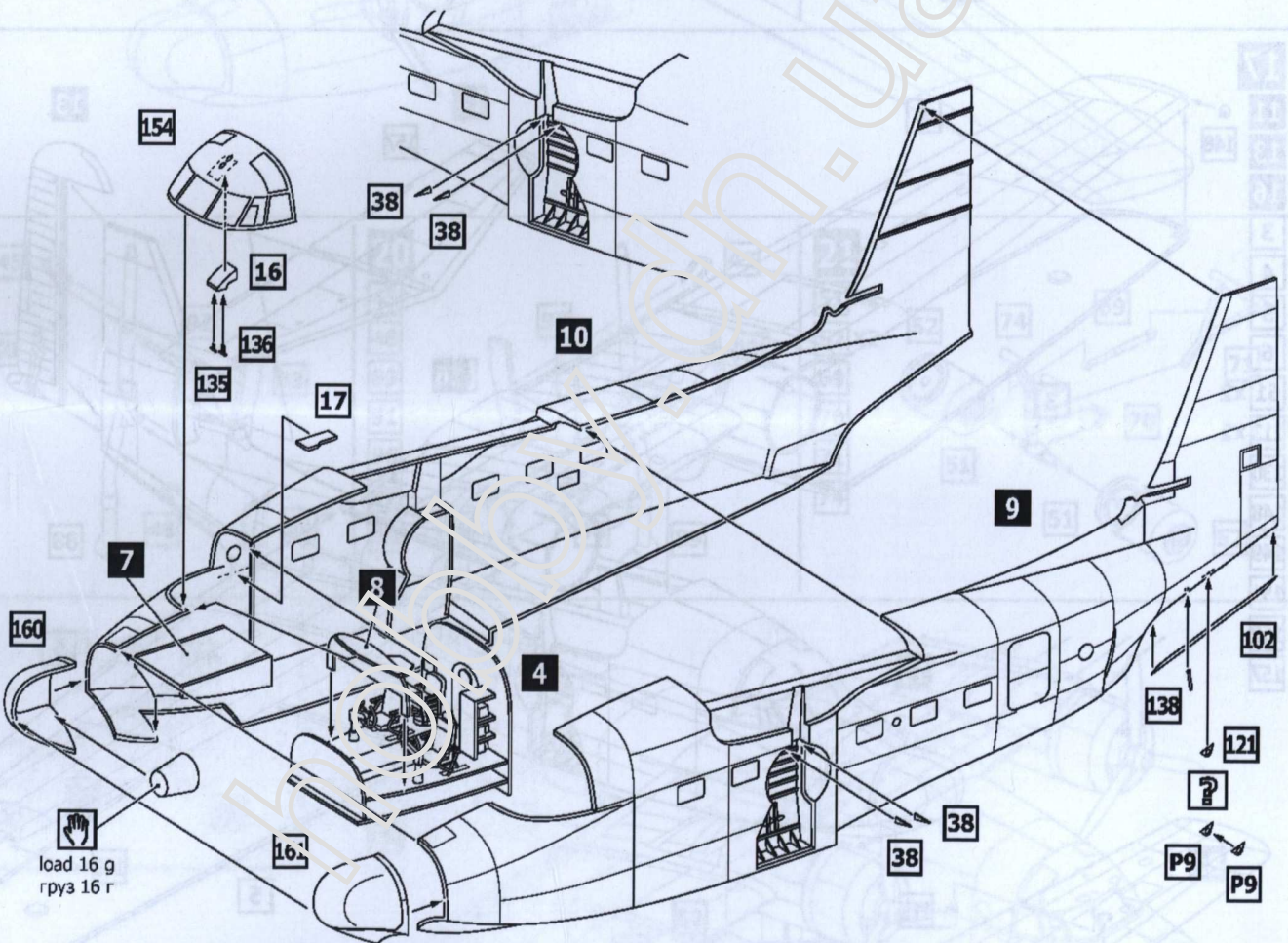
154

160

161

P9 x2

load 16 g
груз 16 r



12 x2

24 x2

40 x2

59 x2

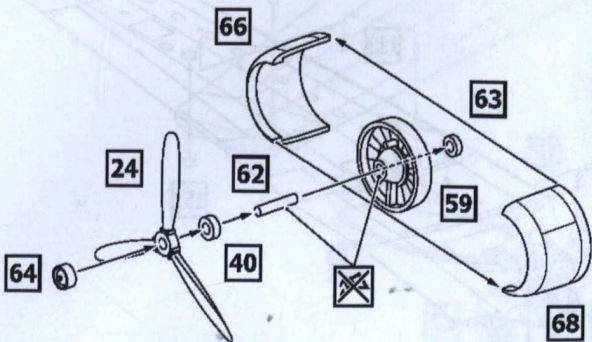
62 x2

63 x2

64 x2

66 x2

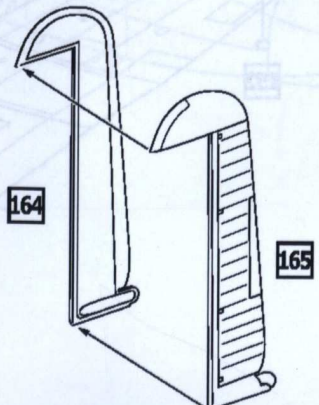
68 x2



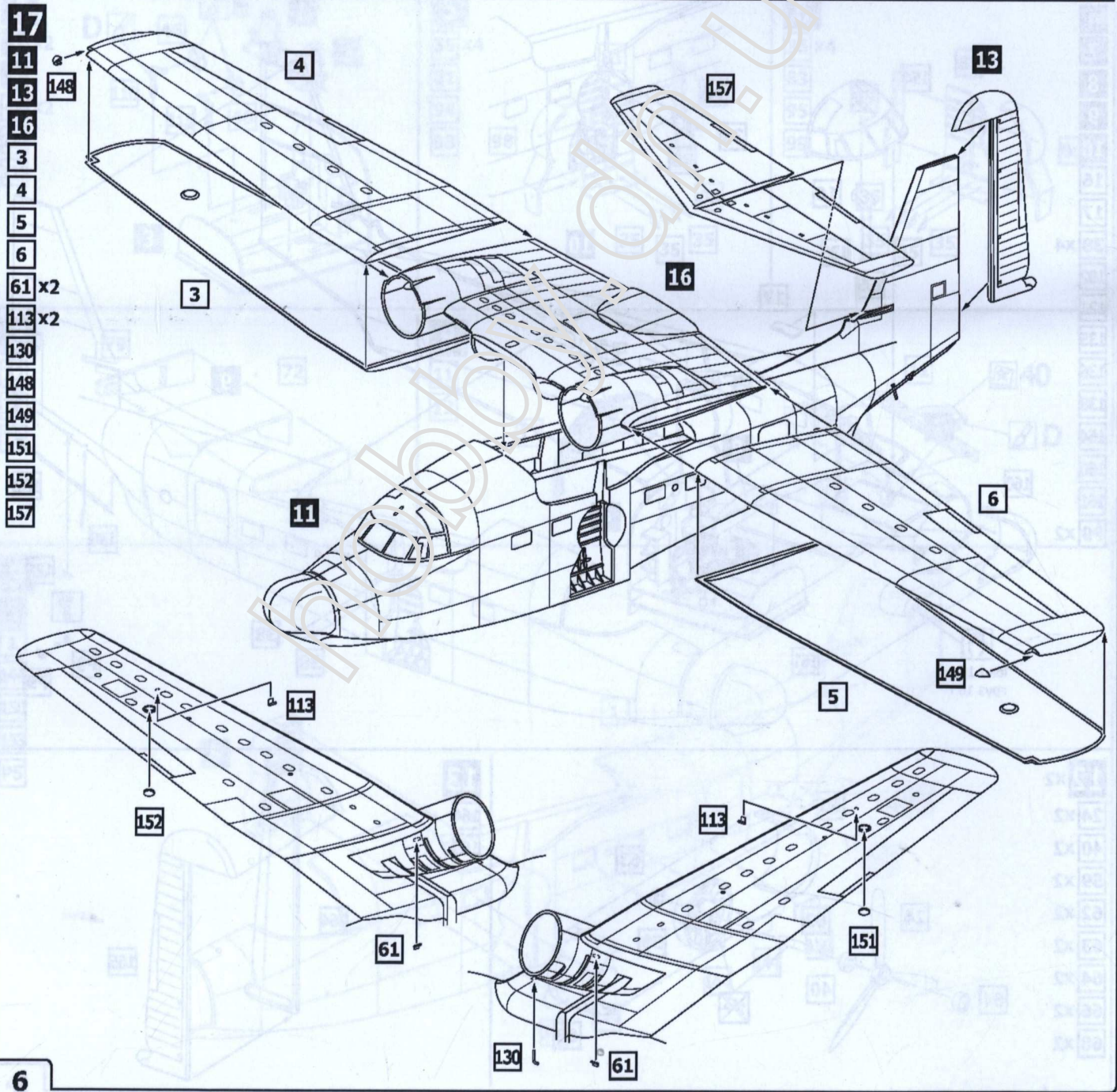
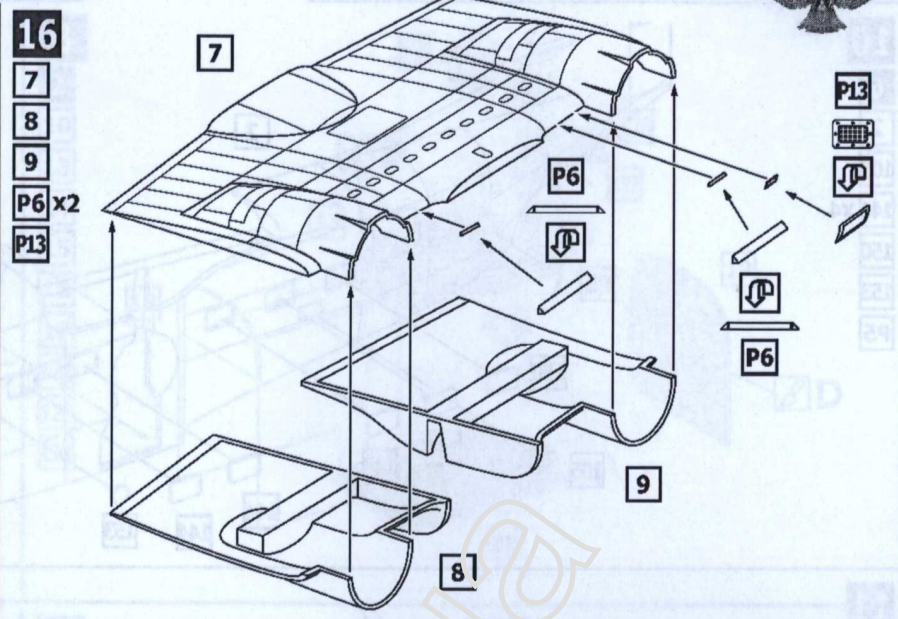
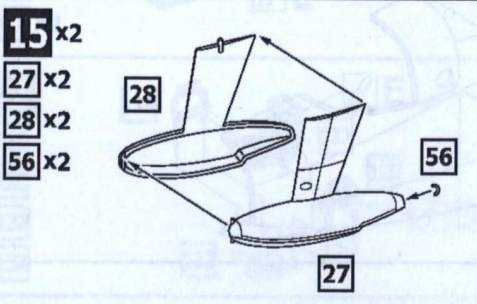
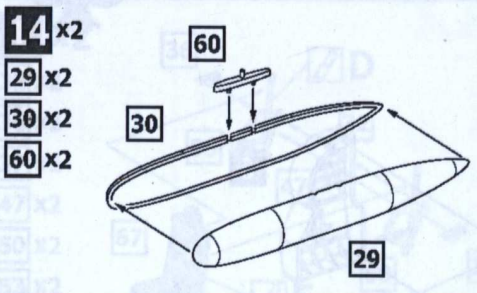
13

164

165



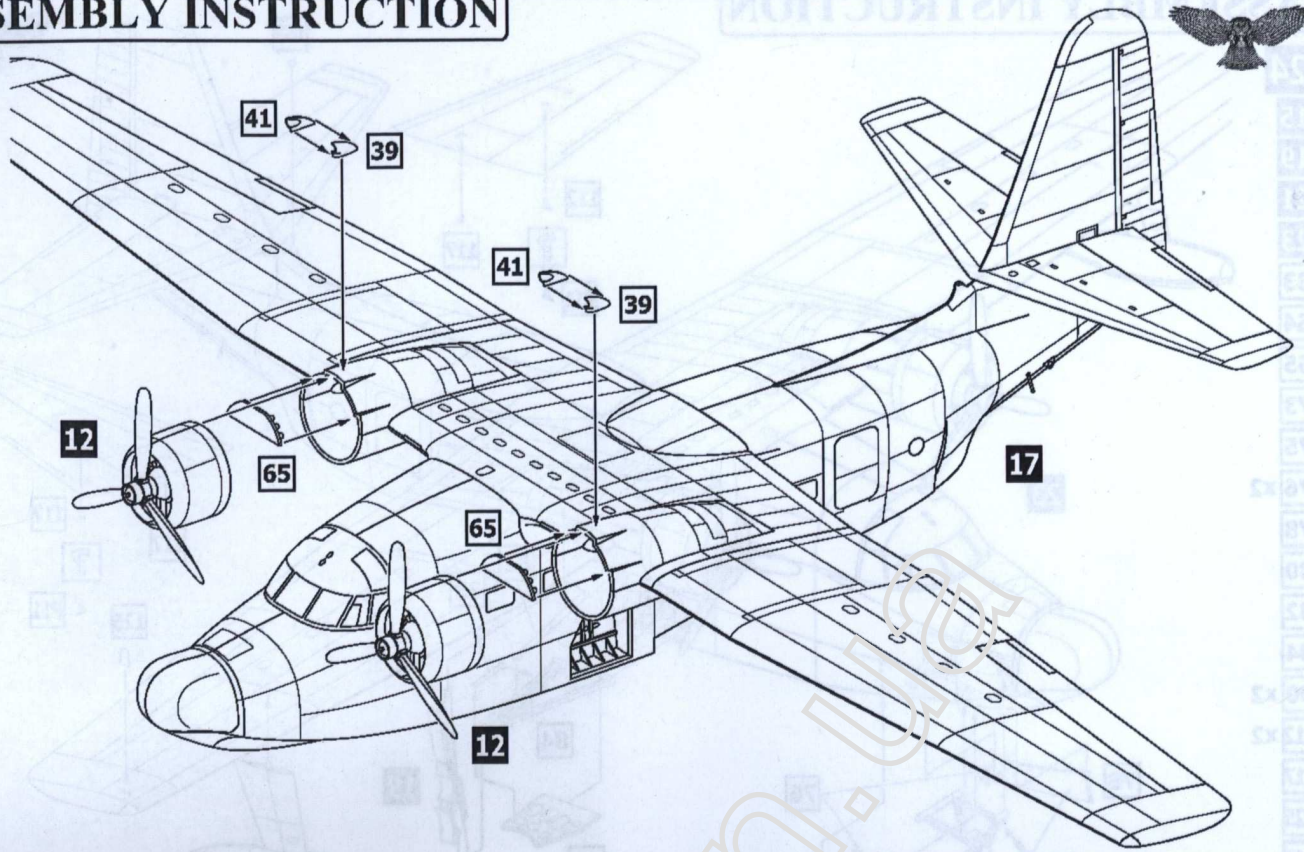
ASSEMBLY INSTRUCTION



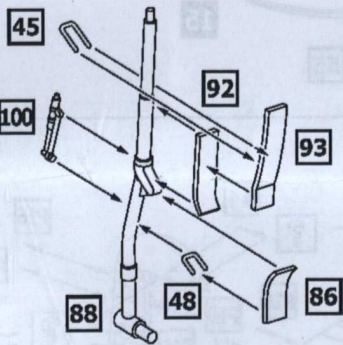
ASSEMBLY INSTRUCTION



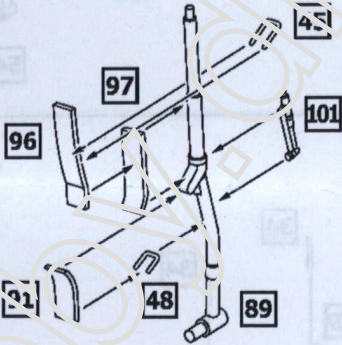
- 18**
- 12** x2
- 17**
- 39** x2
- 41** x2
- 65** x2



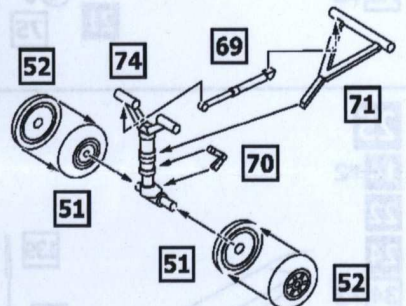
- 19**
- 45**
- 48**
- 86**
- 88**
- 92**
- 93**
- 100**



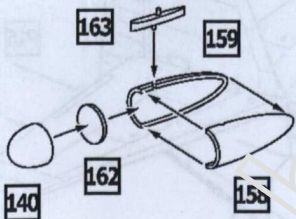
- 20**
- 45**
- 48**
- 89**
- 91**
- 96**
- 97**
- 101**



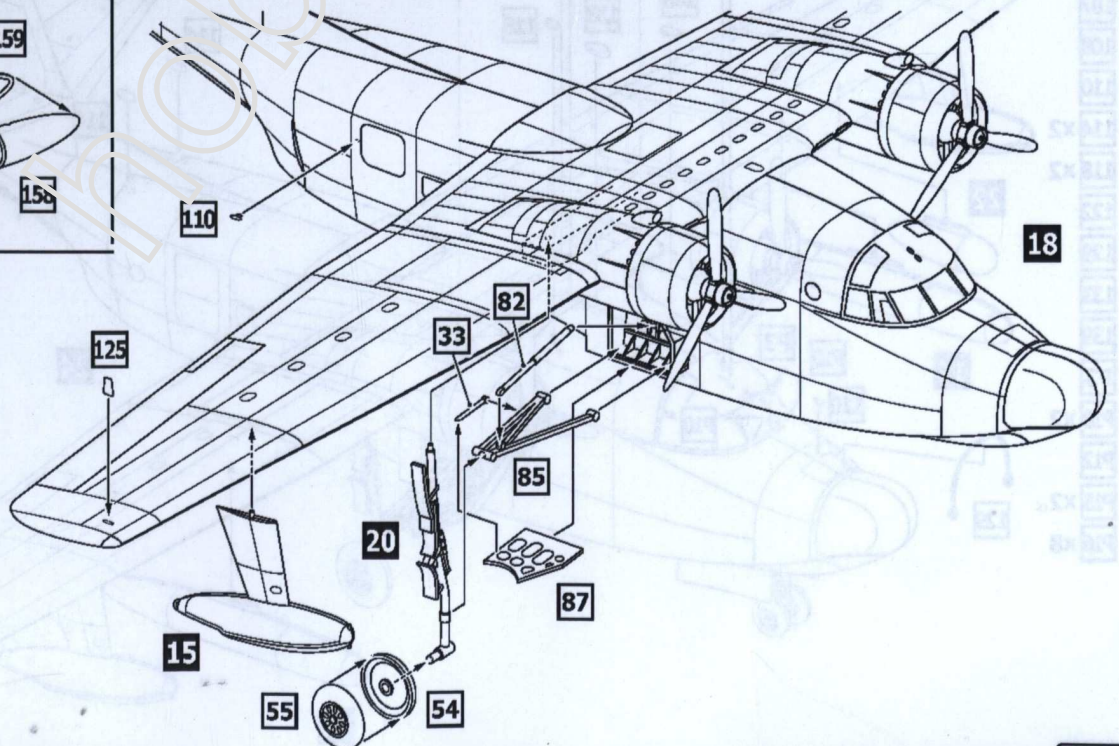
- 21**
- 51** x2
- 52** x2
- 69**
- 70**
- 71**
- 74**



- 22**
- 140**
- 158**
- 159**
- 162**
- 163**



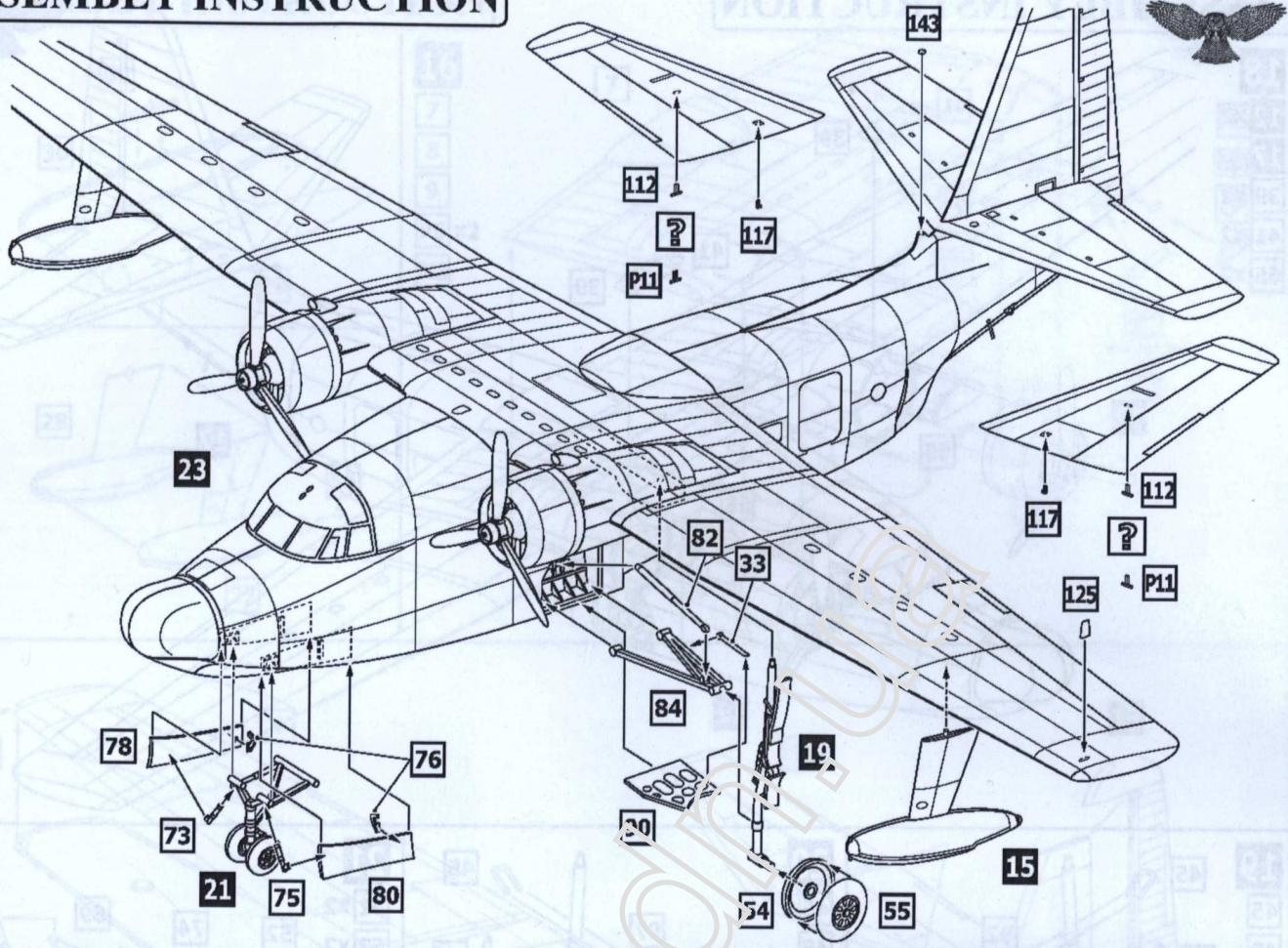
- 23**
- 15**
- 18**
- 20**
- 33**
- 54**
- 55**
- 82**
- 85**
- 87**
- 110**
- 125**



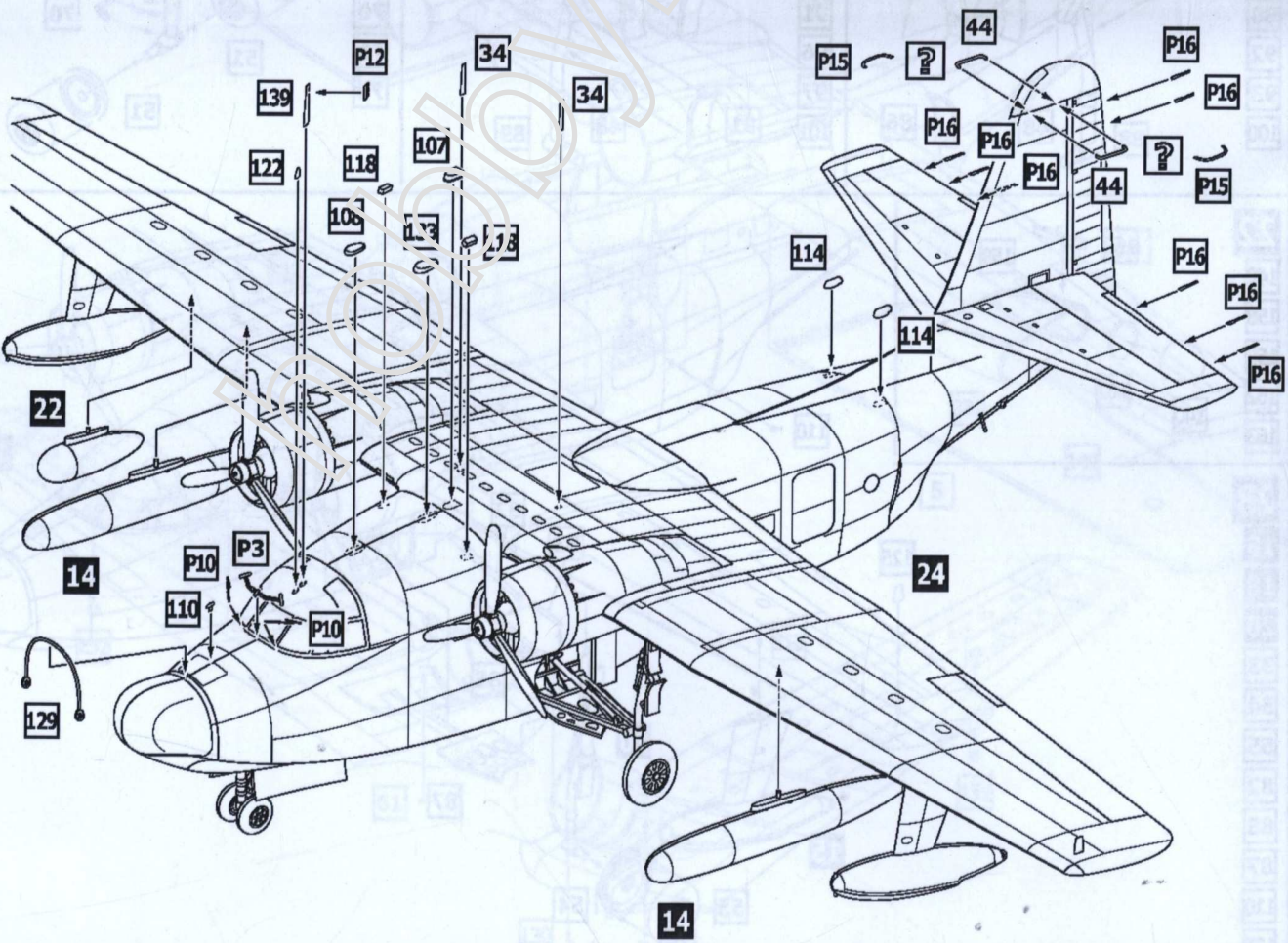
ASSEMBLY INSTRUCTION



- 24**
- 15**
- 19**
- 21**
- 23**
- 33**
- 54**
- 55**
- 73**
- 75**
- 76** x2
- 78**
- 80**
- 82**
- 84**
- 90** x2
- 112** x2
- 117**
- 125**
- 143**
- P11** x2

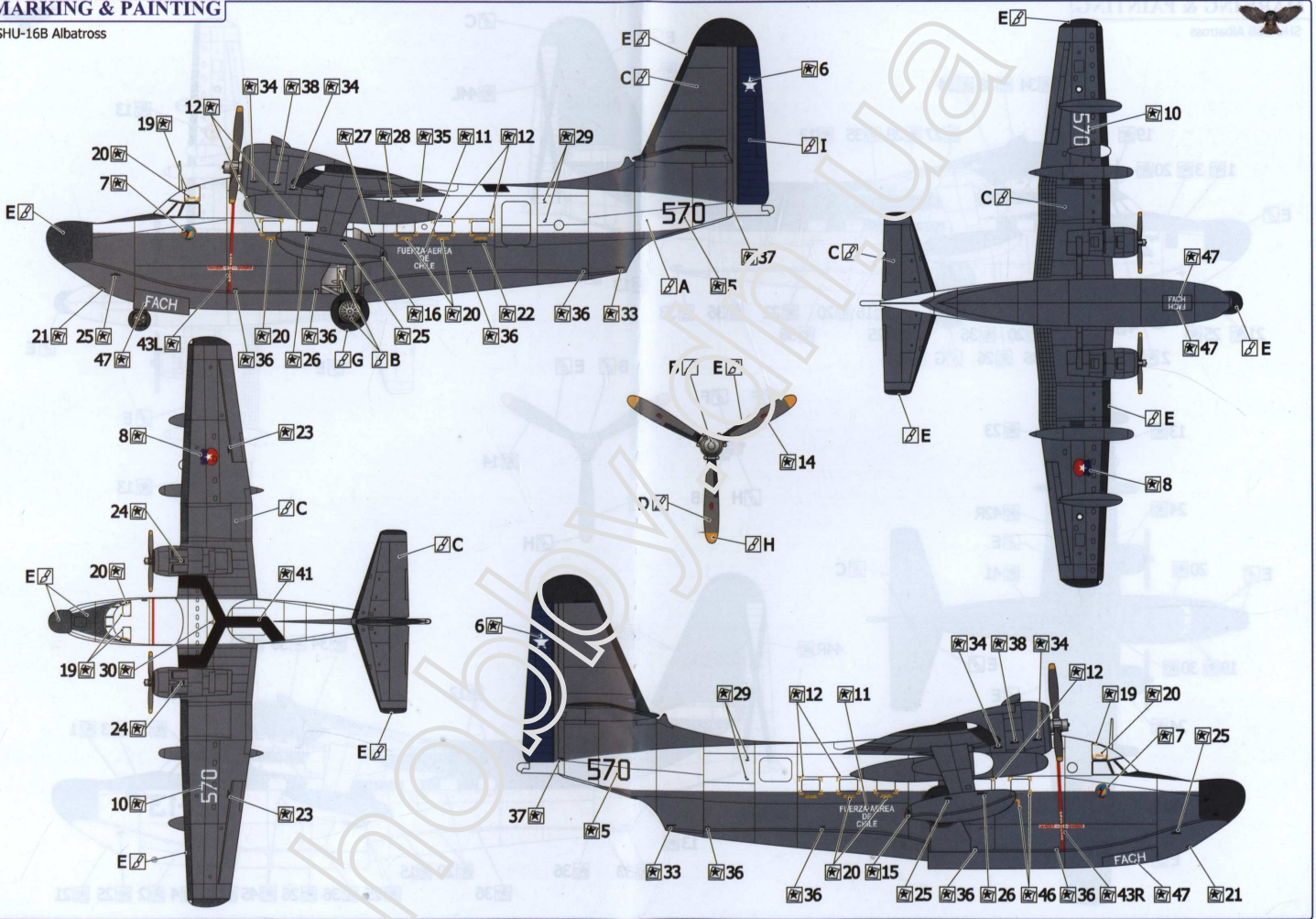


- 25**
- 14** x2
- 22**
- 24**
- 34** x2
- 44** x2
- 107**
- 108**
- 110**
- 114** x2
- 118** x2
- 122**
- 129**
- 133**
- 139**
- P3**
- P10** x2
- P12**
- P15** x2
- P16** x8



MARKING & PAINTING

SHU-16B Albatross



MARKING & PAINTING

SHU-16B Albatross

