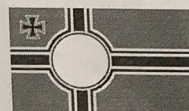




LIMITED EDITION

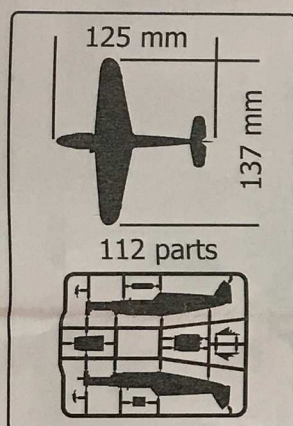
SOVA-M
SVM-72039

Messerschmitt Bf-109W-2

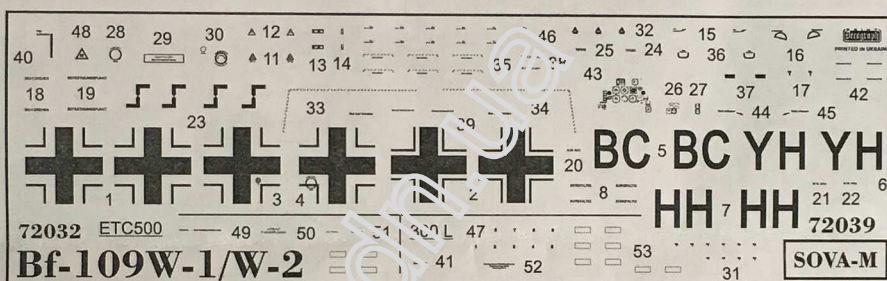


UNASSEMBLED PLASTIC MODEL KITS

SCALE:1/72



DECALS



ONE VERSION OF COLOURING

Bf-109F fighter entered serial production in 1940. The aircraft was built in several different modifications (F1-F6) and its major difference was the armament. The successful combination of speed, maneuverability and armament made this aircraft a powerful adversary of any aircraft of that time. In total 2300 aircrafts were built in various modifications.

The model is executed on technology short run and is intended only for experienced modelers.

Word-wide distributor for Sova-M kits:
ModelSvit Balkans Ltd. 4003 Plovdiv,
Bulgaria 9, zk Maritza Gardens.

Tel. +359 32 397 069,

E-Mail: modelsvitbalkans@gmail.com

MADE IN UKRAINE


PAINTS

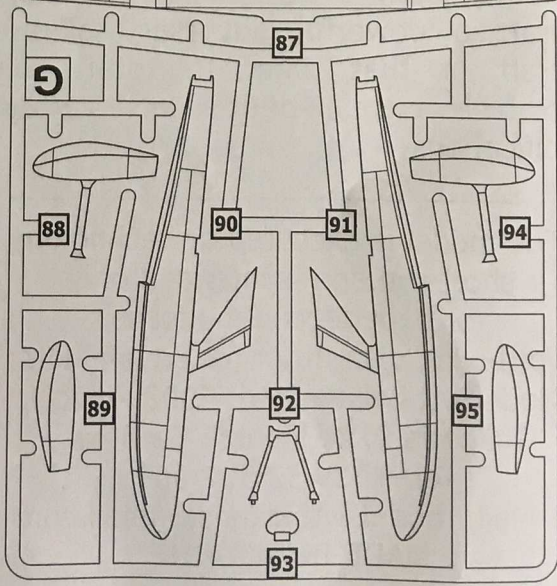
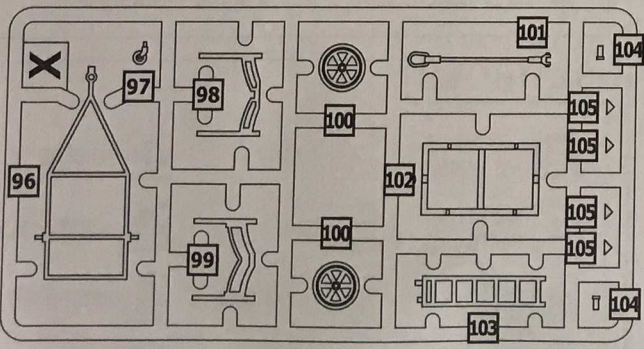
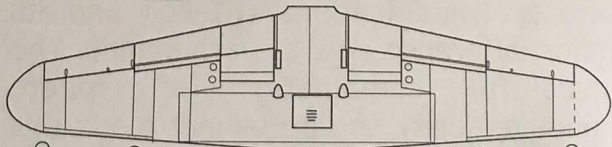
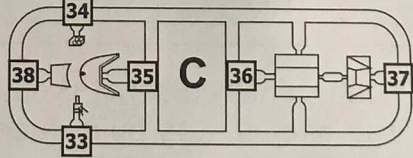
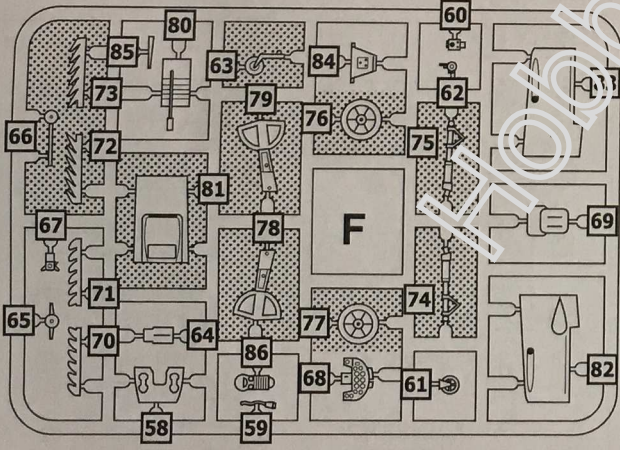
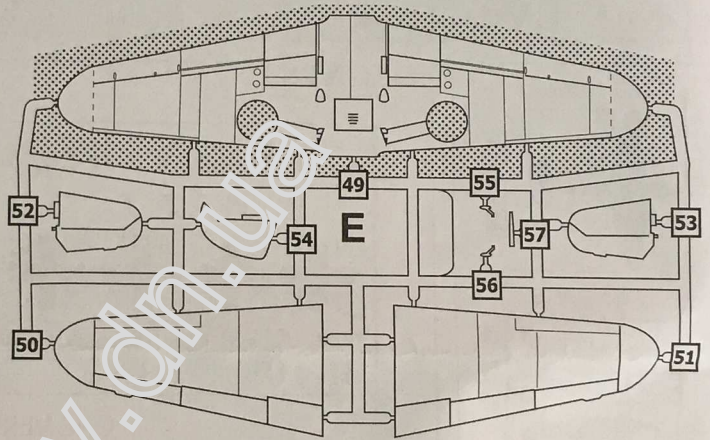
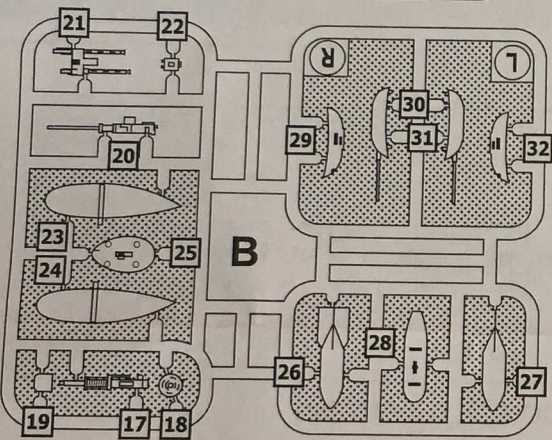
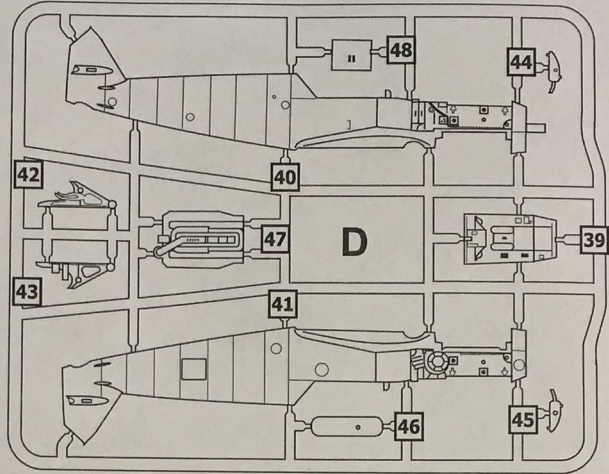
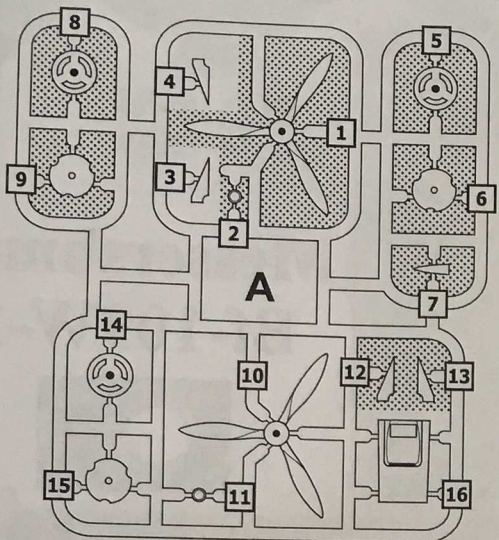
- | | |
|----------------------------------|----------------------------------|
| A HUMBROL 56 ALUMINIUM | B HUMBROL 140 GULL GREY |
| C HUMBROL 27004 GUN METAL | D HUMBROL 113 RUST |
| E HUMBROL 32 DARK GREY | F HUMBROL 154 YELLOW |
| G HUMBROL 33 BLACK | H HUMBROL 175 HELLGRAU 76 |
| J HUMBROL 63 SAND | K HUMBROL 31 SLATE GREY |
| L HUMBROL 67 BLACK GREY | M HUMBROL 62 LEATHER |

SYMBOLS

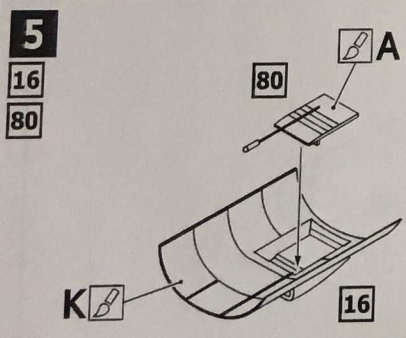
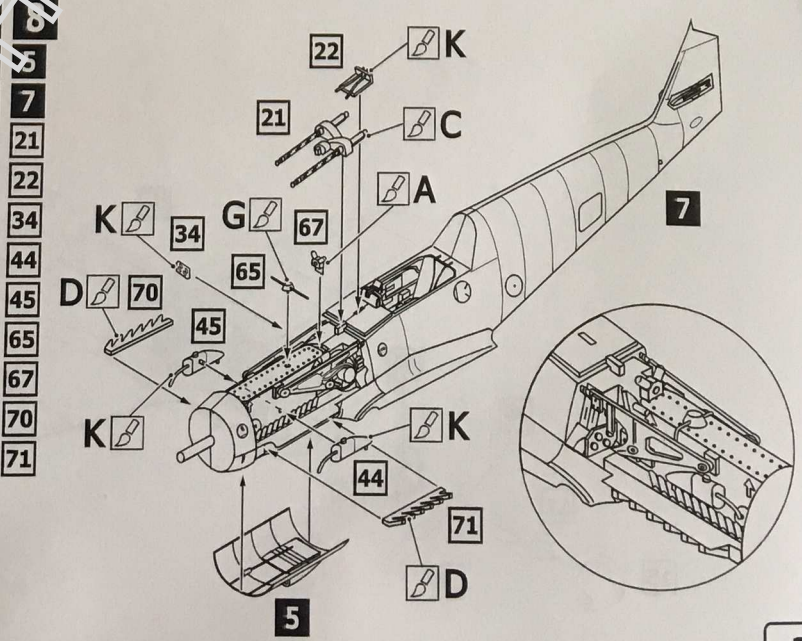
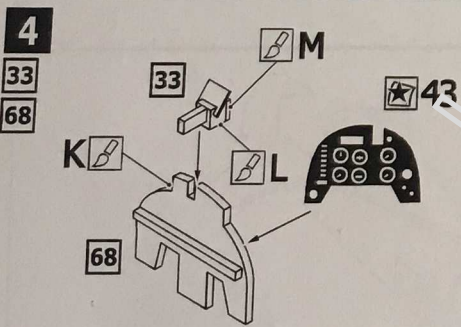
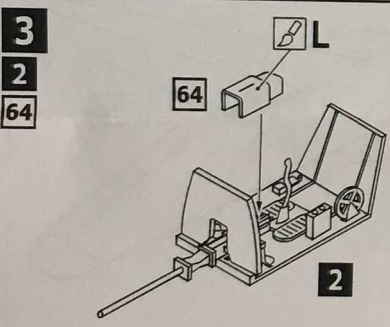
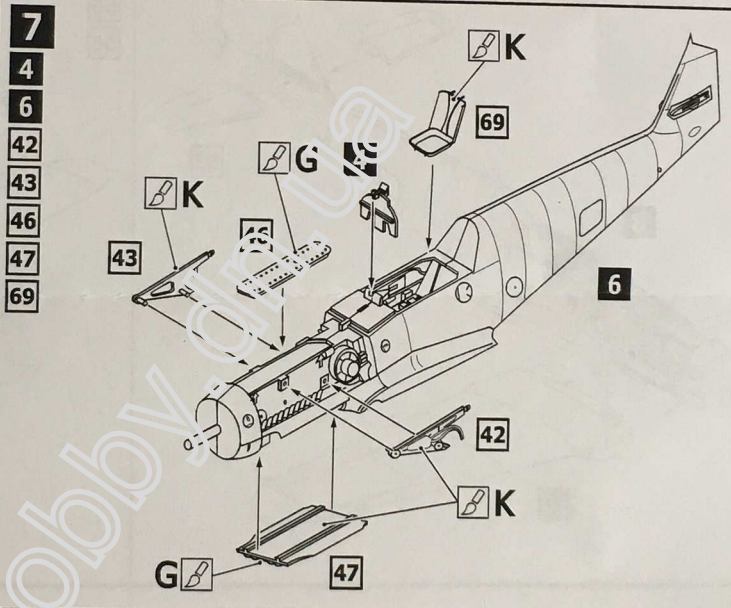
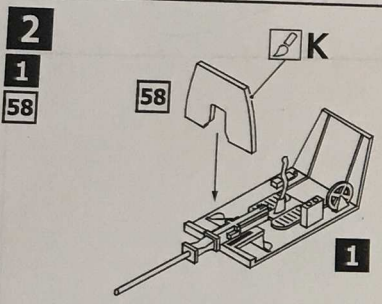
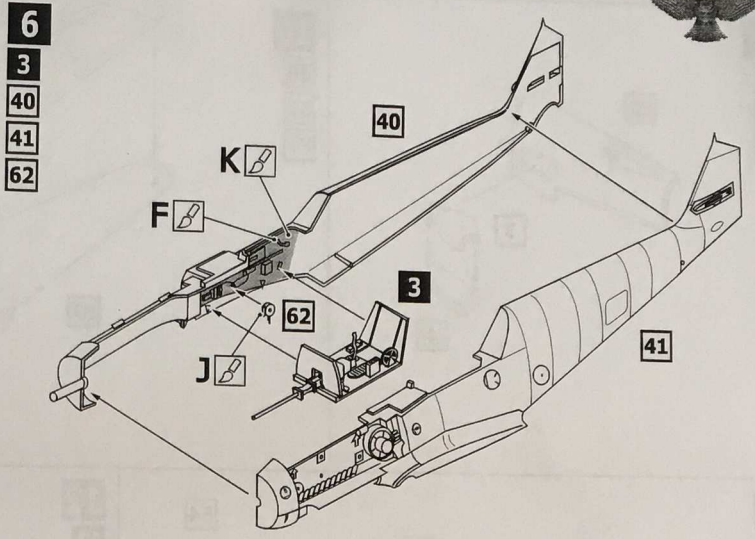
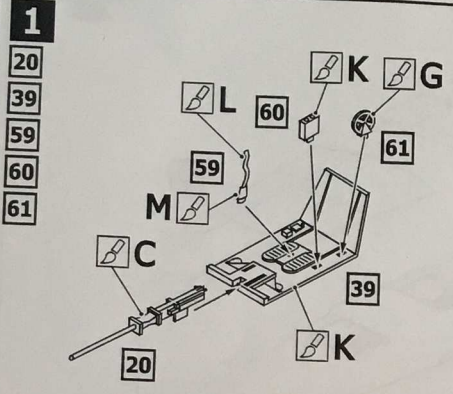
- | | | |
|----------------------------------|-------------------|---------------|
| 1 STAGES OF ASSEMBLY | TO PAINT | TO BEND |
| 1 NUMBER PARTS | GLUE | SCRATCH BUILT |
| APPLY DECALS | DON'T GLUE | OPEN HOLE |
| x2 QUANTITY OF OPERATIONS | НА ВИБІР OPTIONAL | CAT OUT |

SET OF THE PARTS

 PARTS NOT FOR USE



ASSEMBLY INSTRUCTION



ASSEMBLY INSTRUCTION

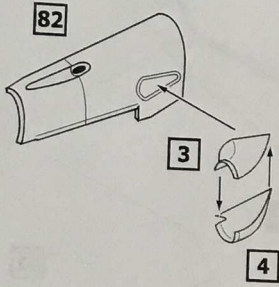


9

3

4

82

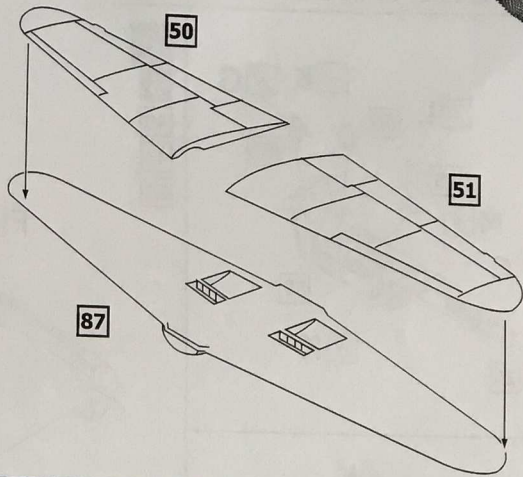


10

50

51

87



11

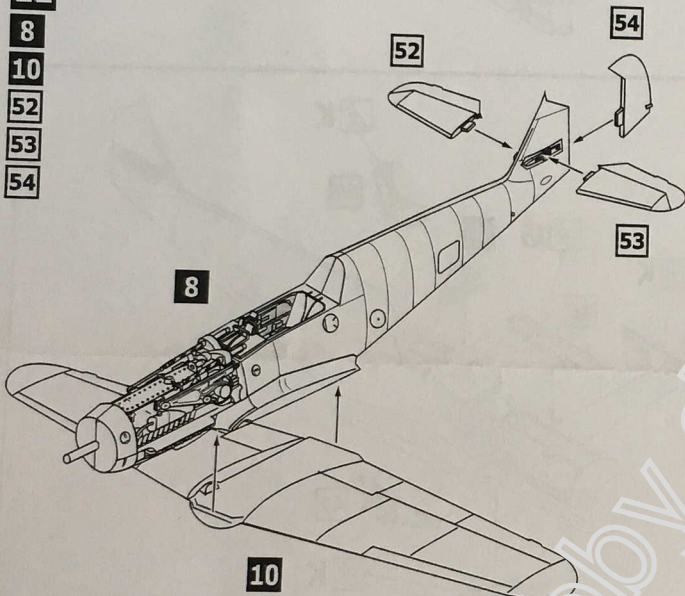
8

10

52

53

54

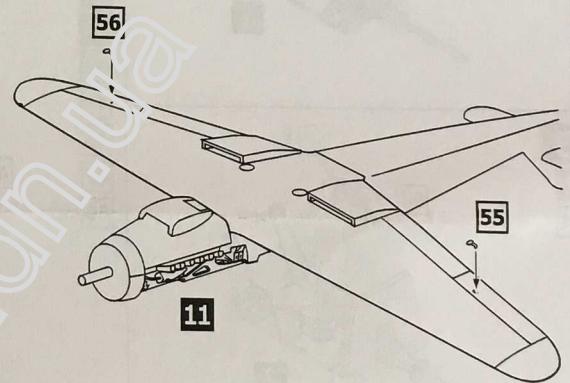


12

11

55

56



13

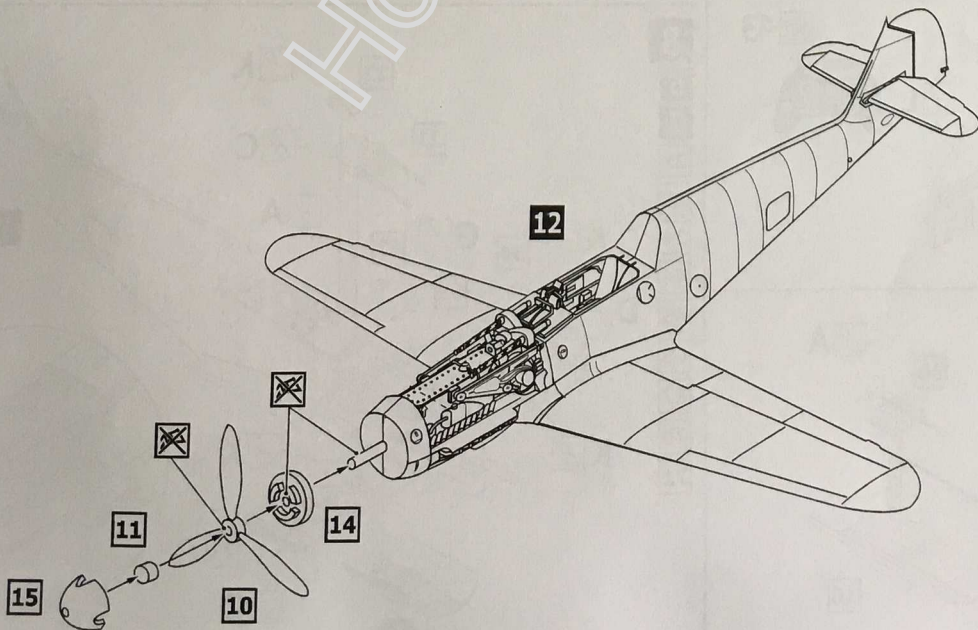
12

10

11

14

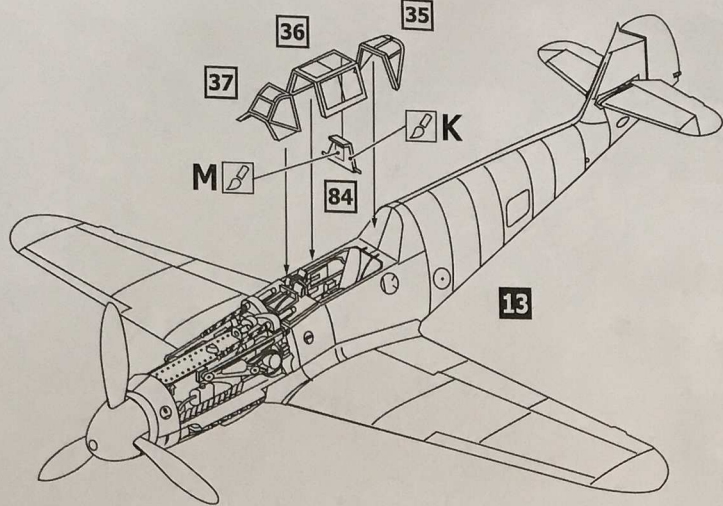
15



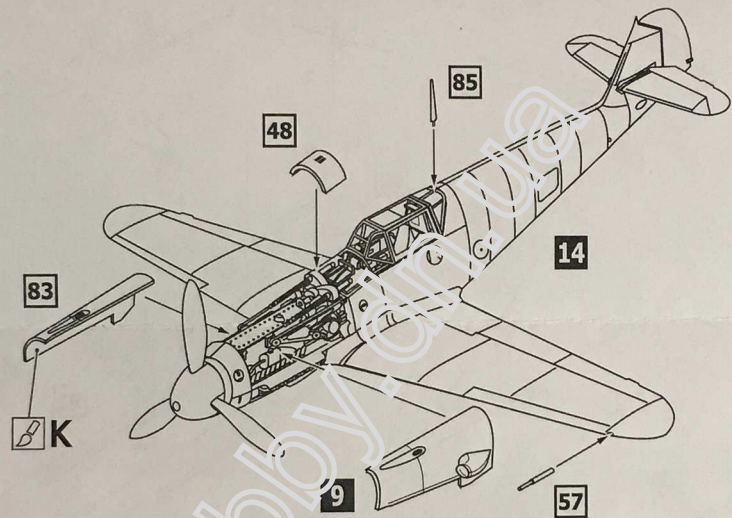
ASSEMBLY INSTRUCTION



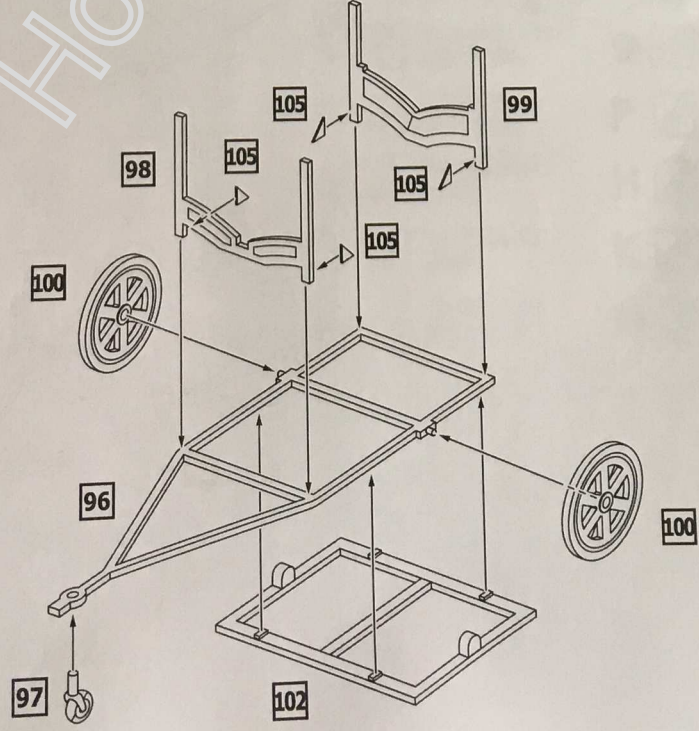
- 14
- 13
- 35
- 36
- 37
- 84



- 15
- 9
- 14
- 48
- 57
- 83
- 85



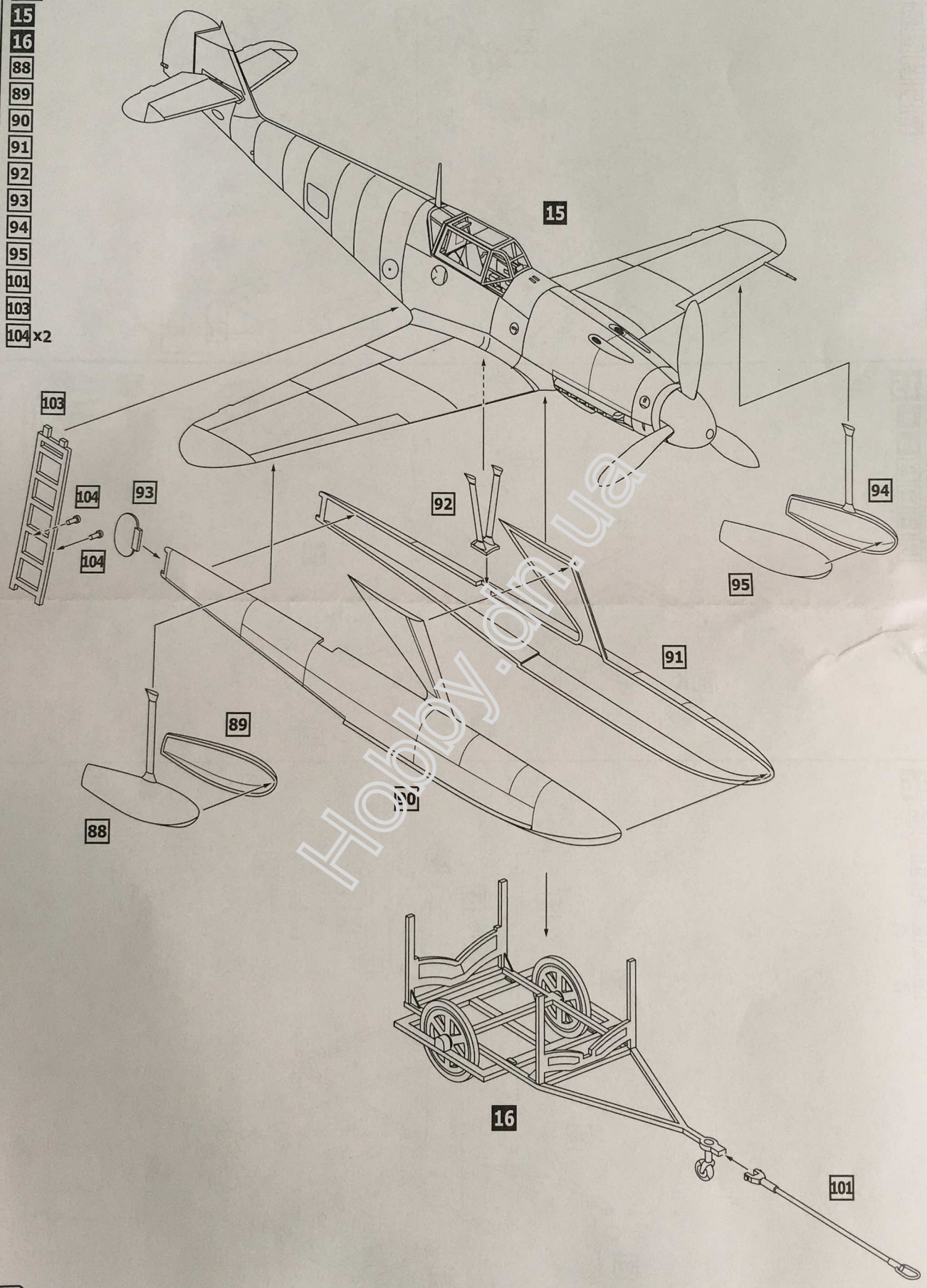
- 16
- 96
- 97
- 98
- 99
- 100 x2
- 102
- 105 x2



ASSEMBLY INSTRUCTION



- 17
- 15
- 16
- 88
- 89
- 90
- 91
- 92
- 93
- 94
- 95
- 101
- 103
- 104 x2



MARKING & PAINTING

Messerschmitt Bf-109W-2

