



LIMITED EDITION

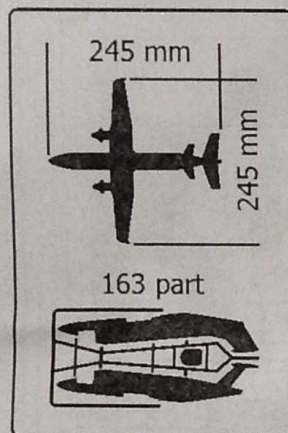
SOVA-M
SVM-72041

Beechcraft 1900D

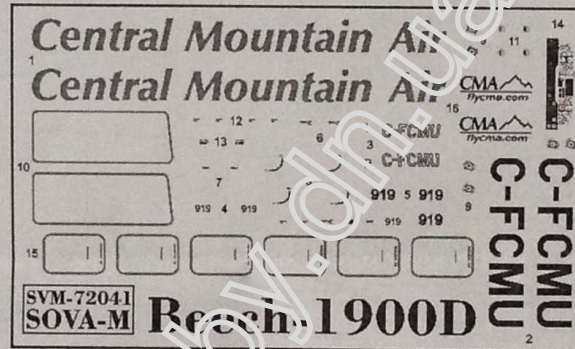


UNASSEMBLED PLASTIC MODEL KITS

SCALE:1/72



DECALS



ONE VERSION
OF COLOURING

The Beechcraft 1900 is an American turboprop aircraft produced by the Beechcraft Corporation and developed from the previous model of the Super King Air family. The prototype first flew on September 3, 1982. The aircraft was certified and entered service in 1985. Serial manufacturing lasted until 2002. Overall, 695 aircrafts in different modifications including freight versions were manufactured.

The model is executed on technology short run and is intended only for experienced modelers.

Word-wide distributor for Sova-M kits:
ModelSvit Balkans Ltd. 4003 Plovdiv,
Bulgaria 9, zk Maritza Gardens.
Tel. +359 32 397 069,
E-Mail: modelsvitbalkans@gmail.com
MADE IN UKRAINE

PAINTS

- | | | | | | |
|----------|--|----------------------------|----------|--|---------------------------------|
| A | | HUMBROL 22
WHITE | B | | HUMBROL 21
BLACK |
| C | | HUMBROL 33
BLACK | D | | HUMBROL 27002
POL. ALUMINIUM |
| E | | HUMBROL 145
MEDIUM GREY | F | | HUMBROL 27004
GUN METAL |

SYMBOLS

- | | | | | | |
|-----------|------------------------|--|----------------------|--|---------------|
| 1 | STAGES OF ASSEMBLY | | TO PAINT | | TO BEND |
| 1 | NUMBER PARTS | | GLUE | | SCRATCH BUILT |
| | APPLY DECALS | | DON'T GLUE | | OPEN HOLE |
| x2 | QUANTITY OF OPERATIONS | | НА ВИБІР
OPTIONAL | | CAT OUT |

SET OF THE PARTS

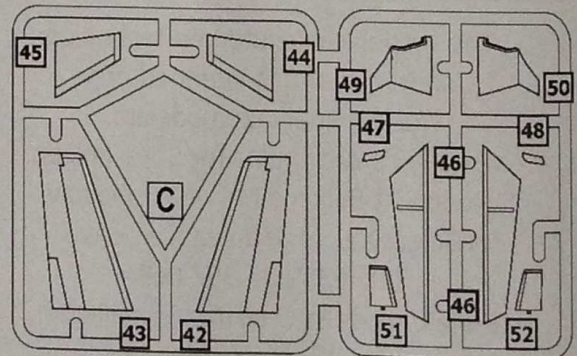
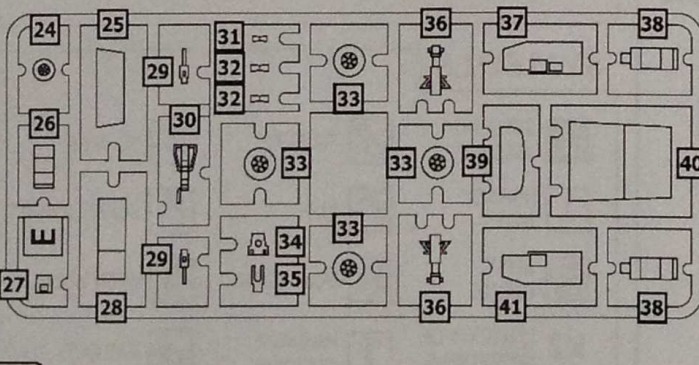
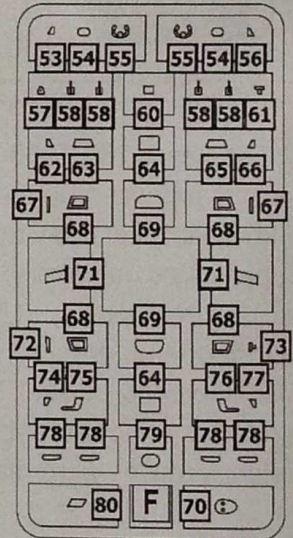
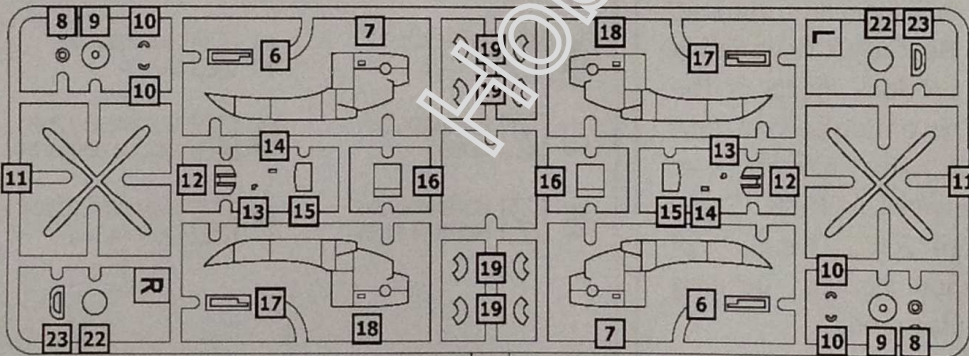
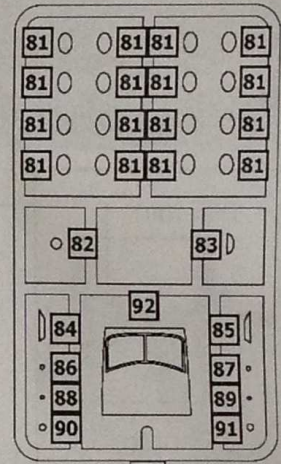
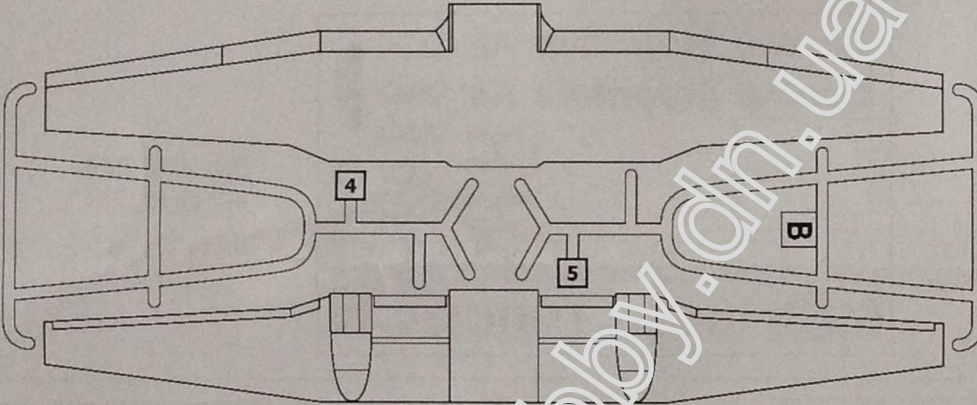
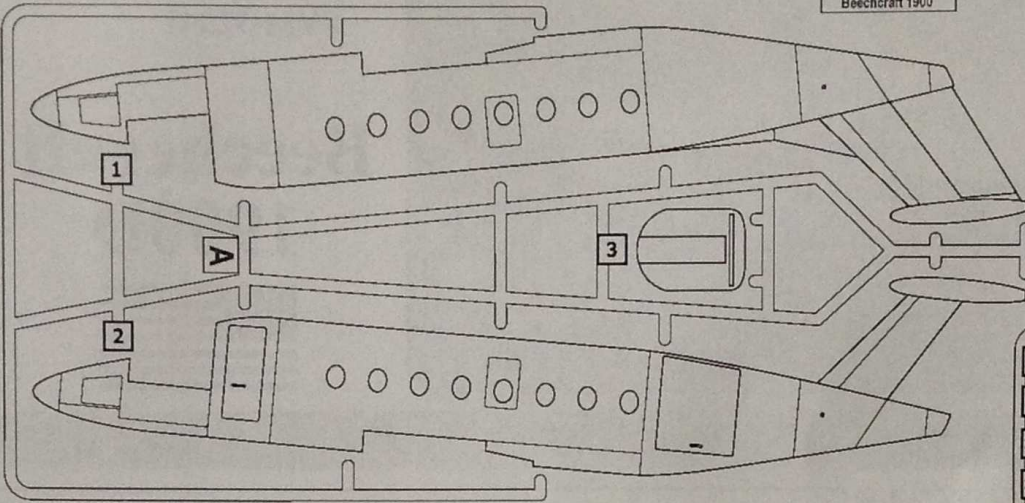
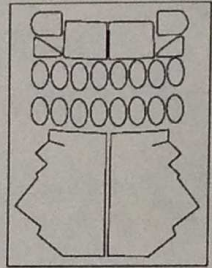


P

1		3
2		
4		6
5		

Beechcraft 1900

MASKS FOR PAINTING

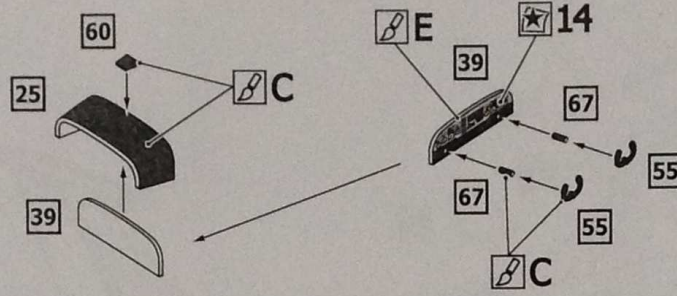


ASSEMBLY INSTRUCTION



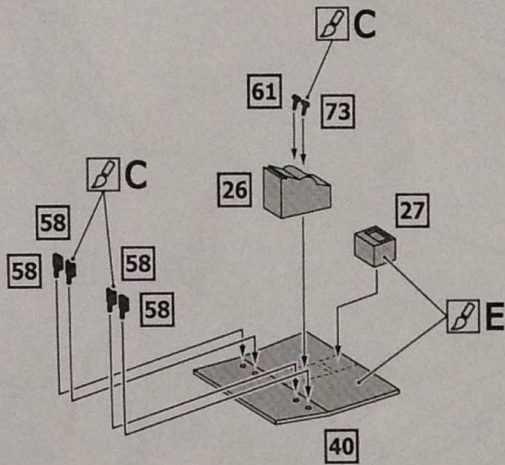
1

- 25
- 39
- 55 x2
- 60
- 67 x2



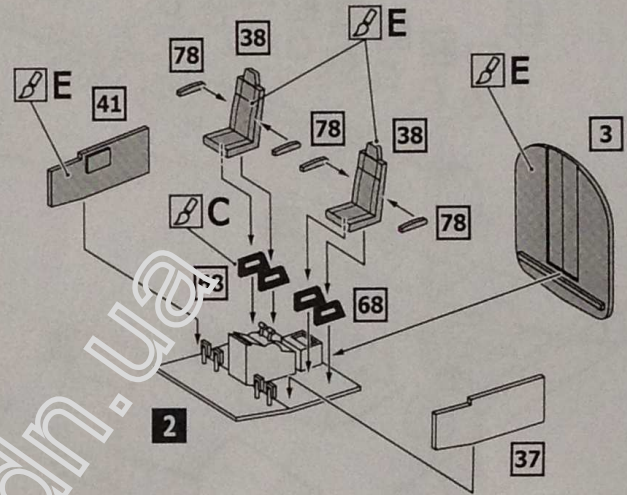
2

- 26
- 27
- 40
- 58 x4
- 61
- 73



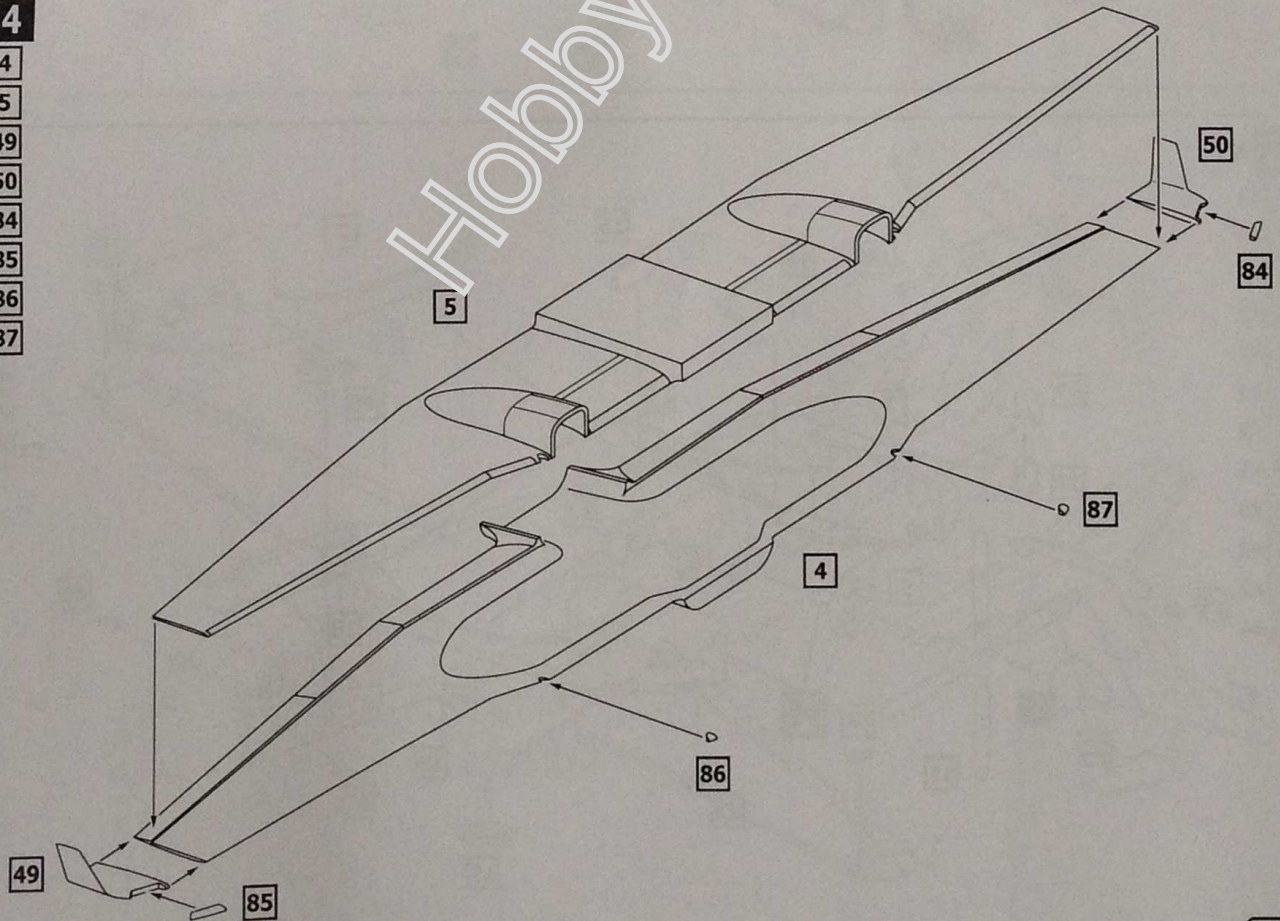
3

- 2
- 3
- 37
- 38 x2
- 41
- 68 x4
- 78 x4



4

- 4
- 5
- 49
- 50
- 84
- 85
- 86
- 87



ASSEMBLY INSTRUCTION



5

1

3

1

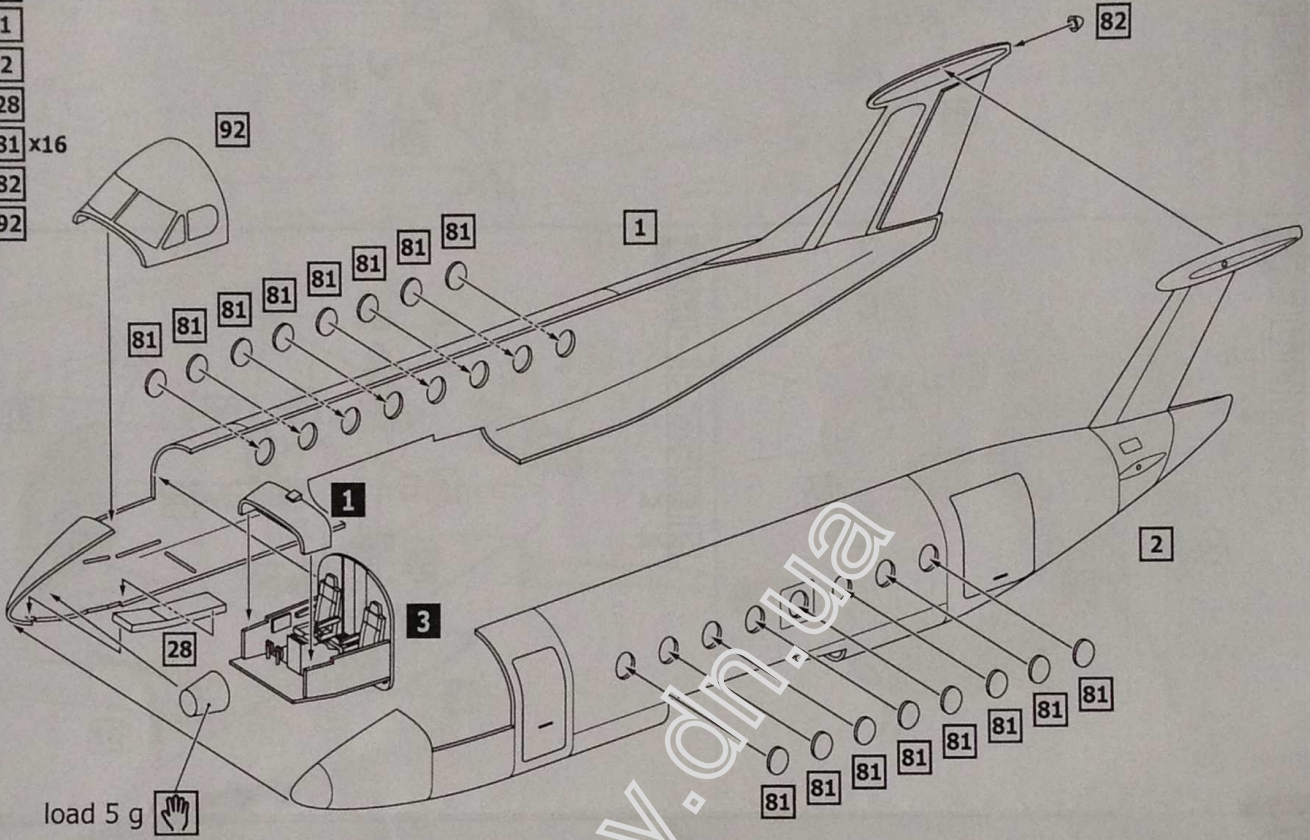
2

28

81 x16

82

92



6 x2

7 x2

8 x2

9 x2

11 x2

12 x2

15 x2

16 x2

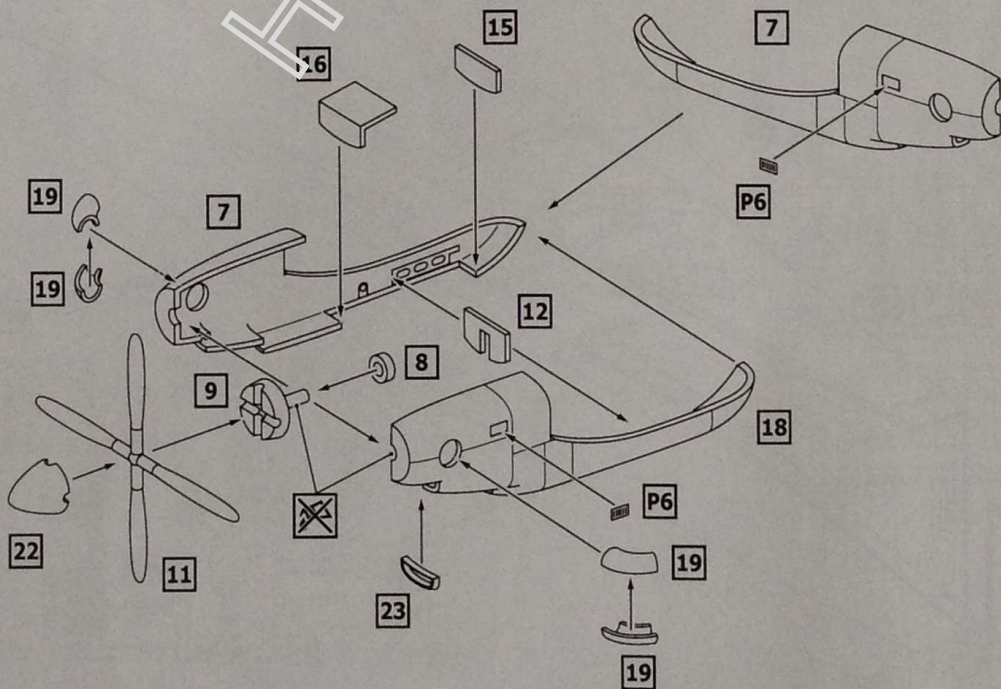
18 x2

19 x8

22 x2

23 x2

P6 x4



ASSEMBLY INSTRUCTION



7

4

5

6 x2

42

43

44

45

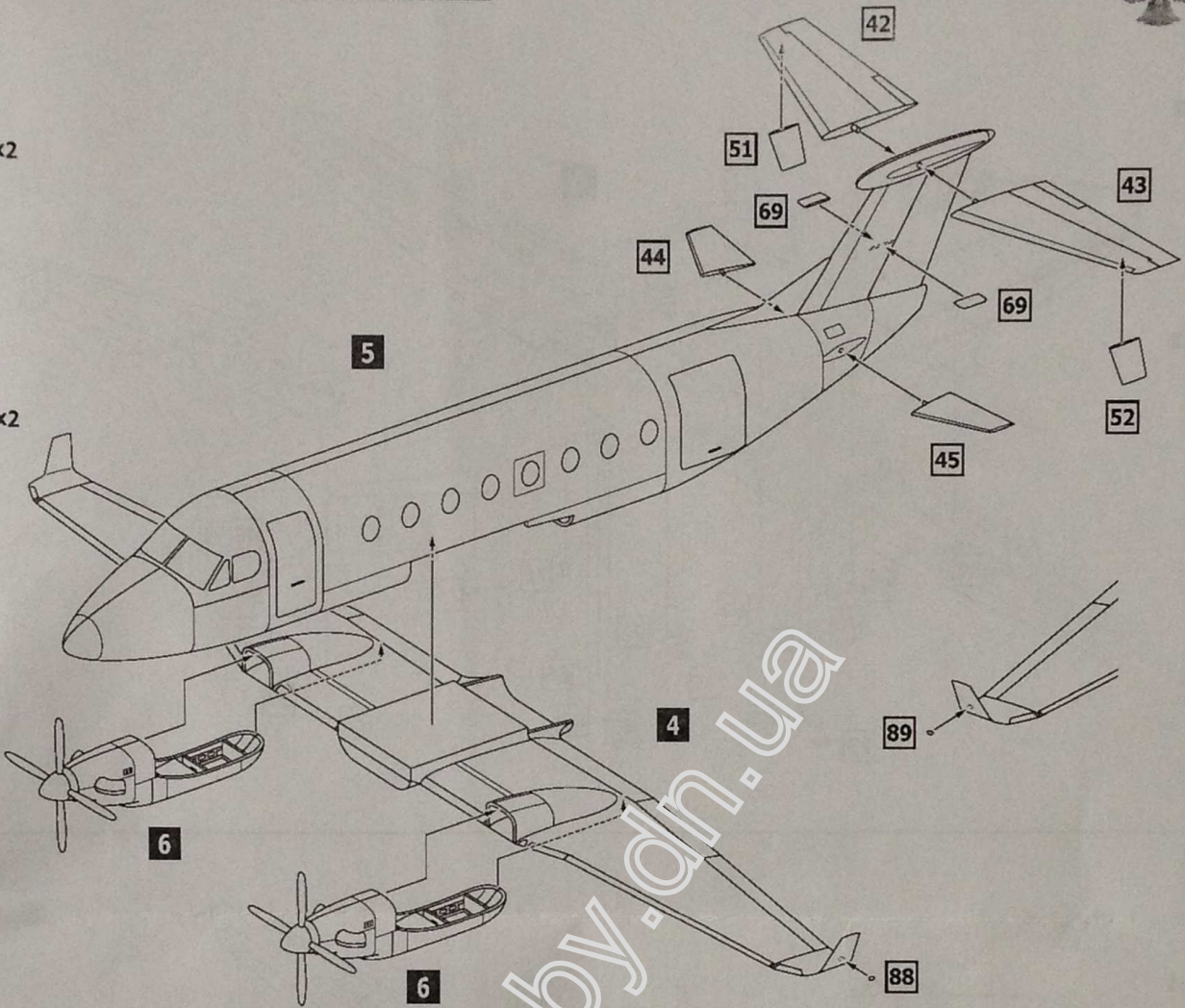
51

52

69 x2

88

89



8

7

47

48

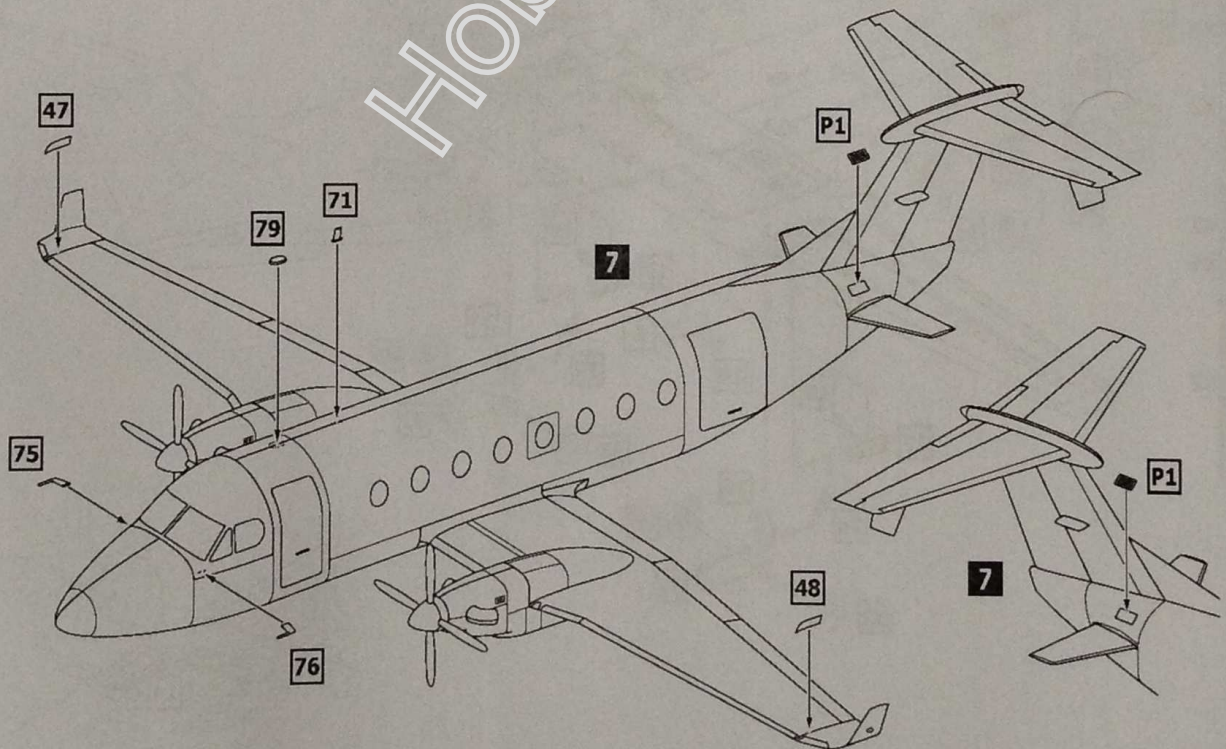
71

75

76

79

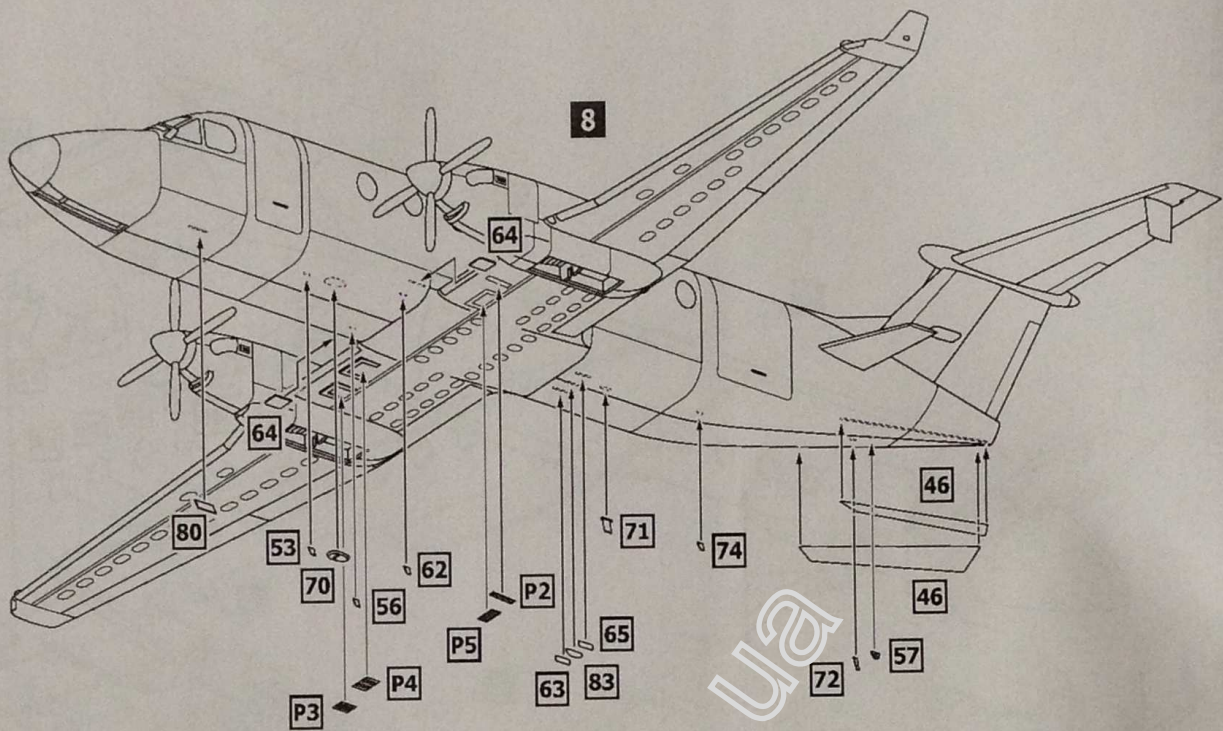
P1 x2



ASSEMBLY INSTRUCTION

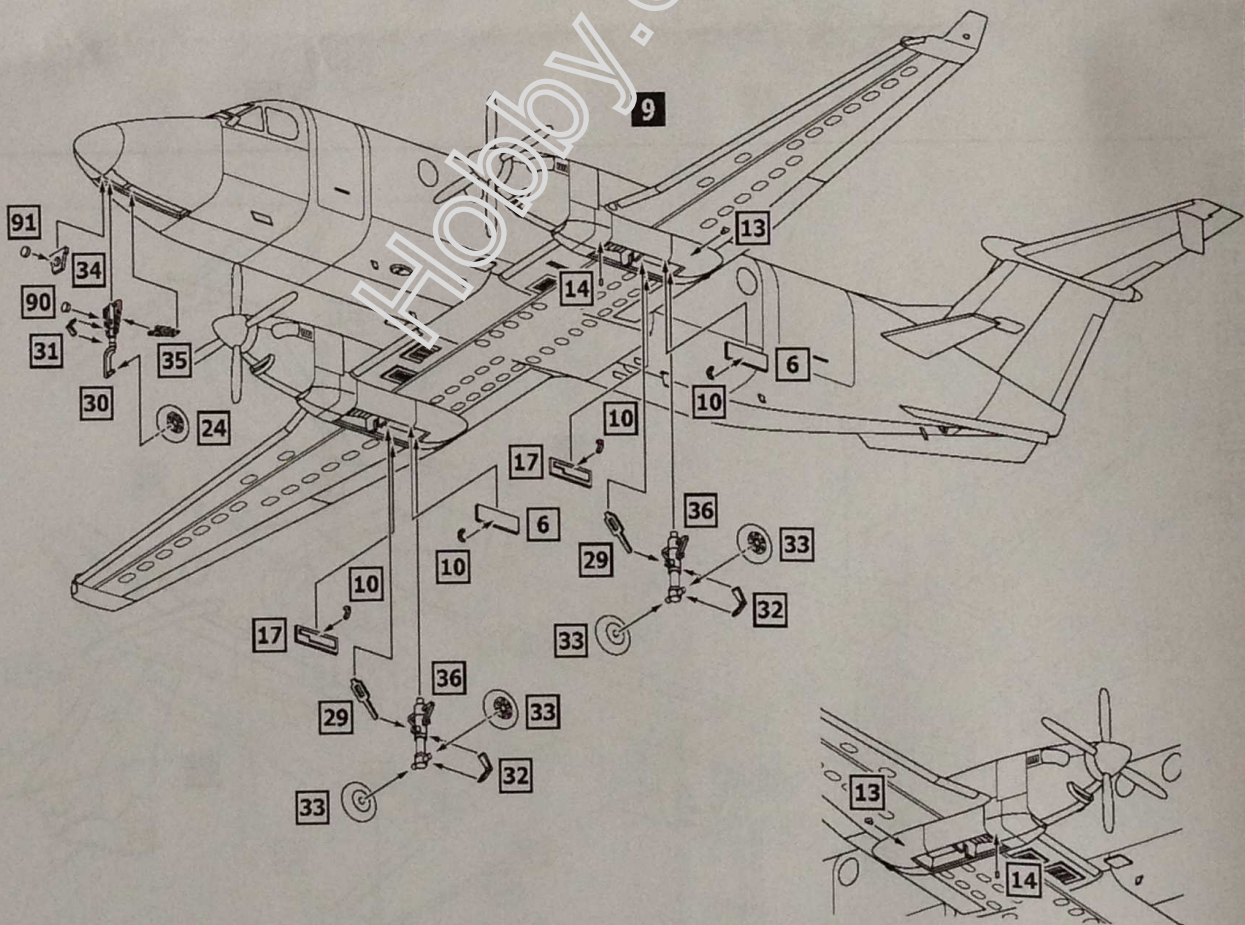


- 9**
- 8**
- 46 x2
- 53
- 56
- 57
- 62
- 63
- 64 x2
- 65
- 70
- 71
- 72
- 74
- 80
- 83
- P2
- P3
- P4
- P5



10

- 9**
- 6 x2
- 10 x4
- 13 x2
- 14 x2
- 17 x2
- 24
- 29 x2
- 30
- 31
- 32 x2
- 33 x4
- 34
- 35
- 36 x2
- 90
- 91



MARKING & PAINTING

Beechcraft 1900D

