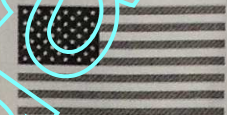




LIMITED EDITION

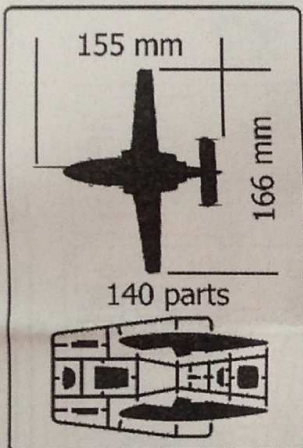
SOVA-M  
SVM-72046

T-46A  
Eaglet



UNASSEMBLED PLASTIC MODEL KITS

SCALE:1/72



DECALS



THREE VERSIONS OF COLOURING

The Fairchild Republic T-46 "Eaglet" aircraft had won the US Air Force's "Next generation Trainer" ("NGT") tender, with the assumption to replace the outdated Cessna T-37.

T-46's maiden flight took place in October 1985. The aircraft was a low-wing all-metal monoplane with a retractable tricycle landing gear and a twin tail. The crew of two was accommodated in a side-by-side pressurized cockpit, equipped with McDonnell Douglas ACES II ejection seats. The power plant included two economical turbojet engines Microturbo TRS 18-046 with a thrust of 0.98 kN.

PAINTS

- |          |  |                            |          |  |                            |
|----------|--|----------------------------|----------|--|----------------------------|
| <b>A</b> |  | HUMBROL 22<br>WHITE        | <b>B</b> |  | HUMBROL 33<br>BLACK        |
| <b>C</b> |  | HUMBROL 145<br>MEDIUM GREY | <b>D</b> |  | HUMBROL 27004<br>GUN METAL |
| <b>E</b> |  | HUMBROL 182<br>RUBBER      |          |  |                            |

The model is executed on technology short run and is intended only for experienced modelers.

Word-wide distributor for Sova-M kits:  
ModelSvit Balkans Ltd. 4003 Plovdiv,  
Bulgaria 9, zk Maritza Gardens.

Tel. +359 32 397 069,

E-Mail: [modelsvitbalkans@gmail.com](mailto:modelsvitbalkans@gmail.com)


MADE IN UKRAINE

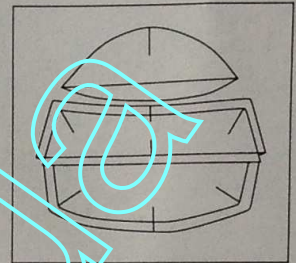
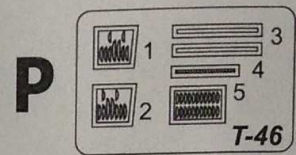
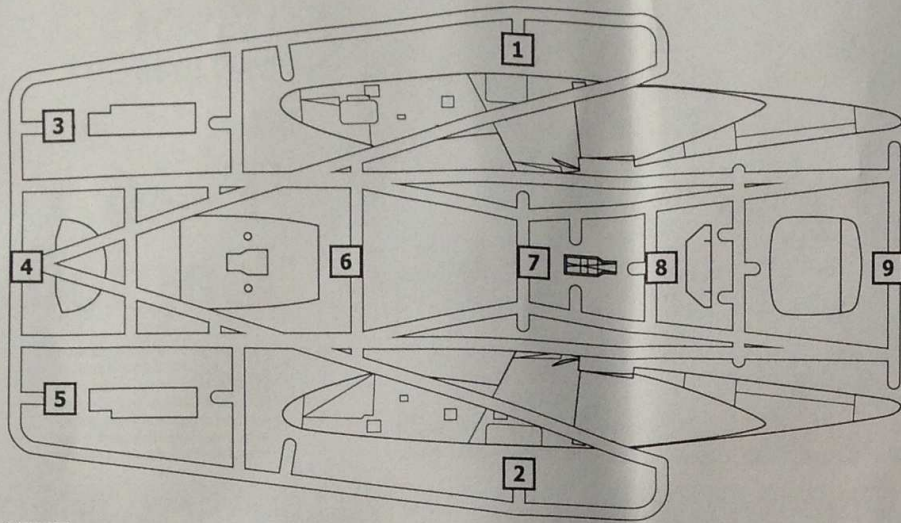
SYMBOLS

- |           |                        |  |                      |  |               |
|-----------|------------------------|--|----------------------|--|---------------|
| <b>1</b>  | STAGES OF ASSEMBLY     |  | TO PAINT             |  | TO BEND       |
| <b>1</b>  | NUMBER PARTS           |  | GLUE                 |  | SCRATCH BUILT |
|           | APPLY DECALS           |  | DON'T GLUE           |  | OPEN HOLE     |
| <b>x2</b> | QUANTITY OF OPERATIONS |  | НА ВИБІР<br>OPTIONAL |  | CAT OUT       |

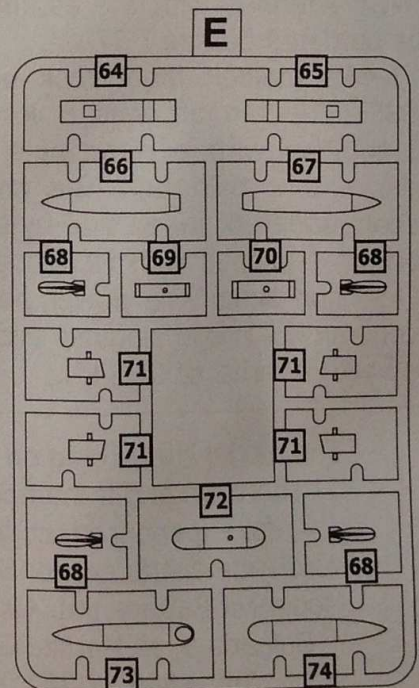
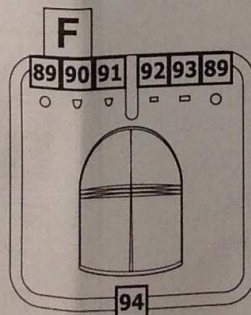
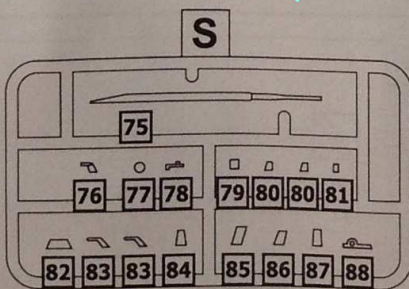
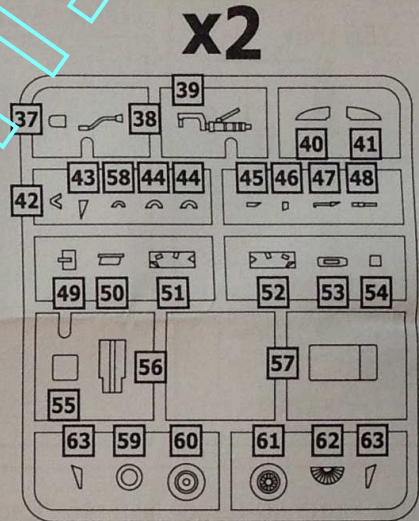
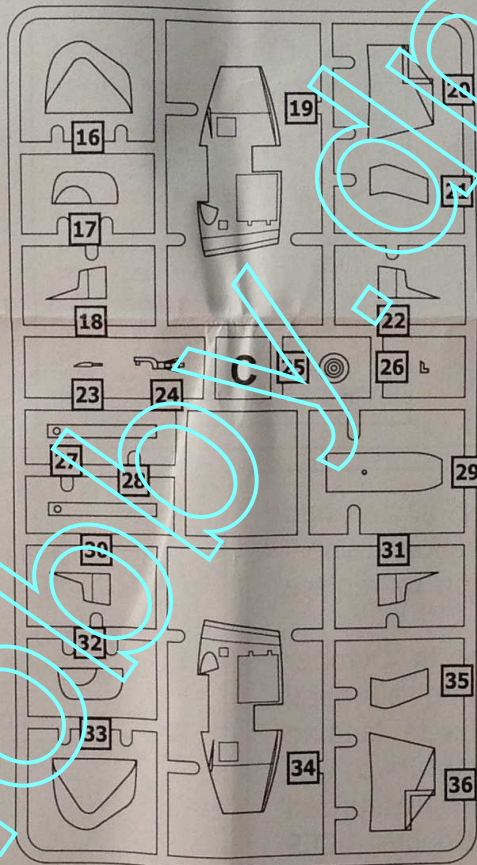
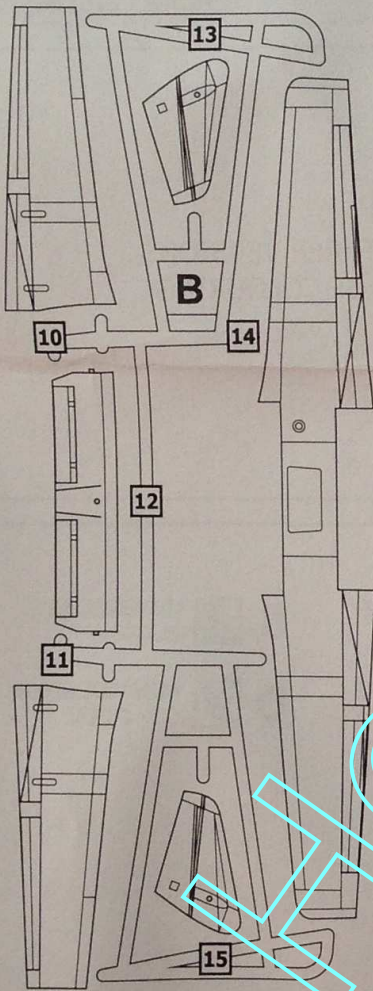
# SET OF THE PARTS



 PARTS NOT FOR USE



MASKS FOR PAINTING



# ASSEMBLY INSTRUCTION



**1** x2

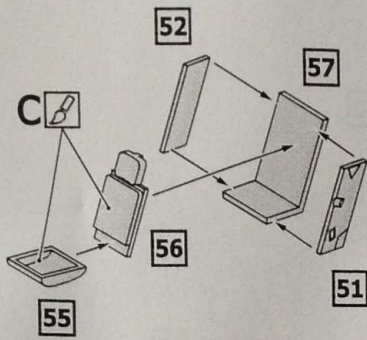
**51** x2

**52** x2

**55** x2

**56** x2

**57** x2



**2**

**1** x2

**3**

**4**

**5**

**6**

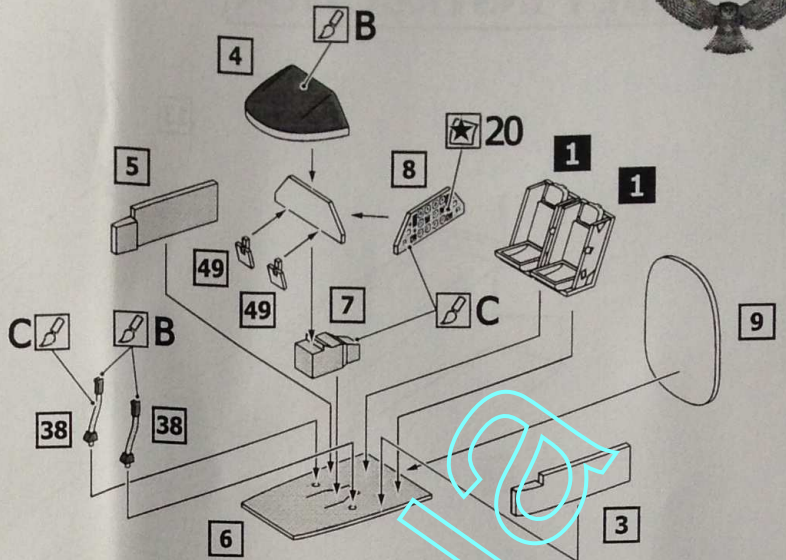
**7**

**8**

**9**

**38** x2

**49** x2



**3**

**2**

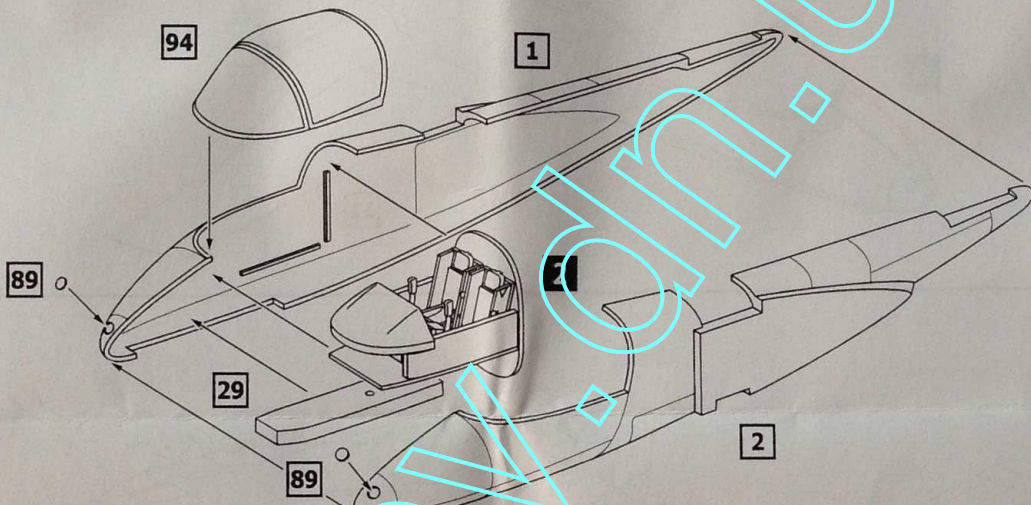
**1**

**2**

**29**

**89** x2

**94**



**4**

**3**

**16**

**17**

**18**

**19**

**20**

**22**

**30**

**31**

**31**

**32**

**33**

**34**

**36**

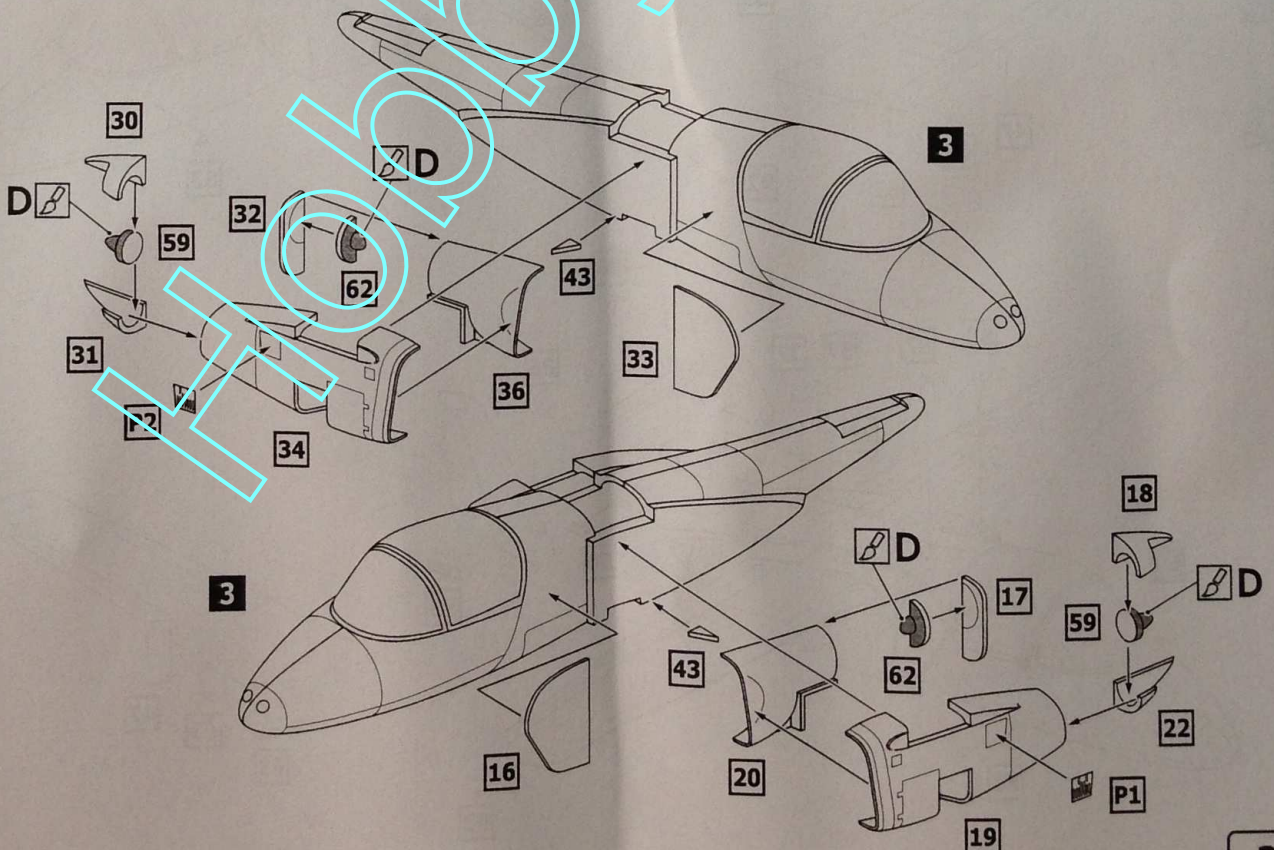
**43** x2

**59** x2

**62** x2

**P1**

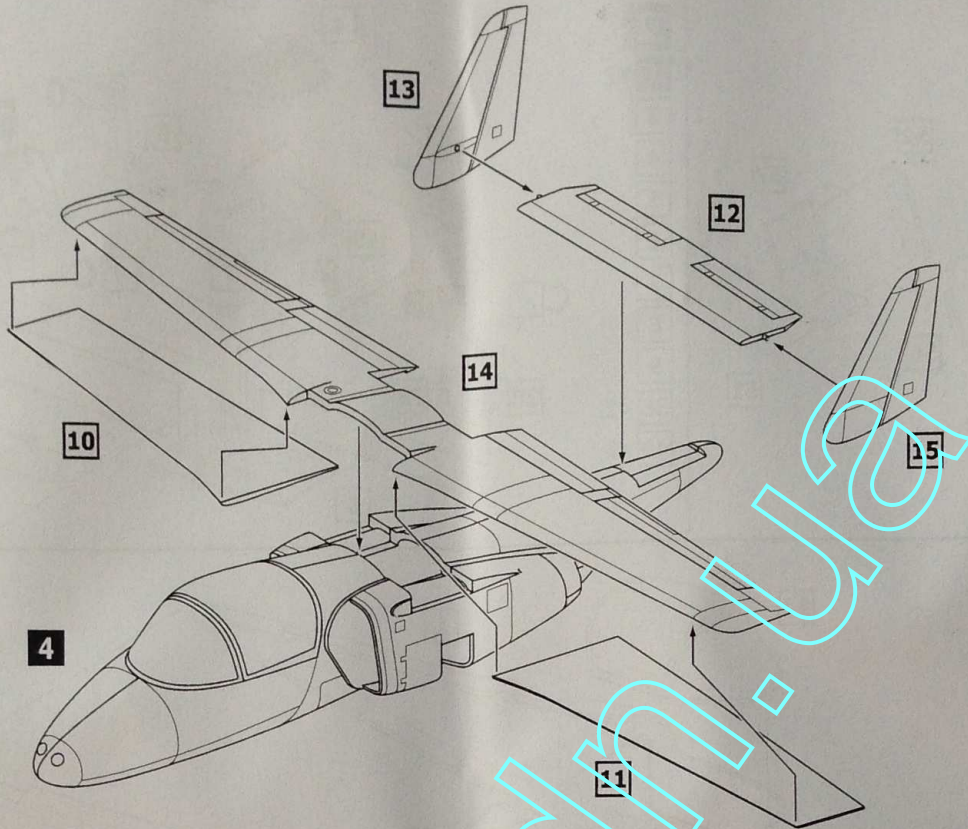
**P2**



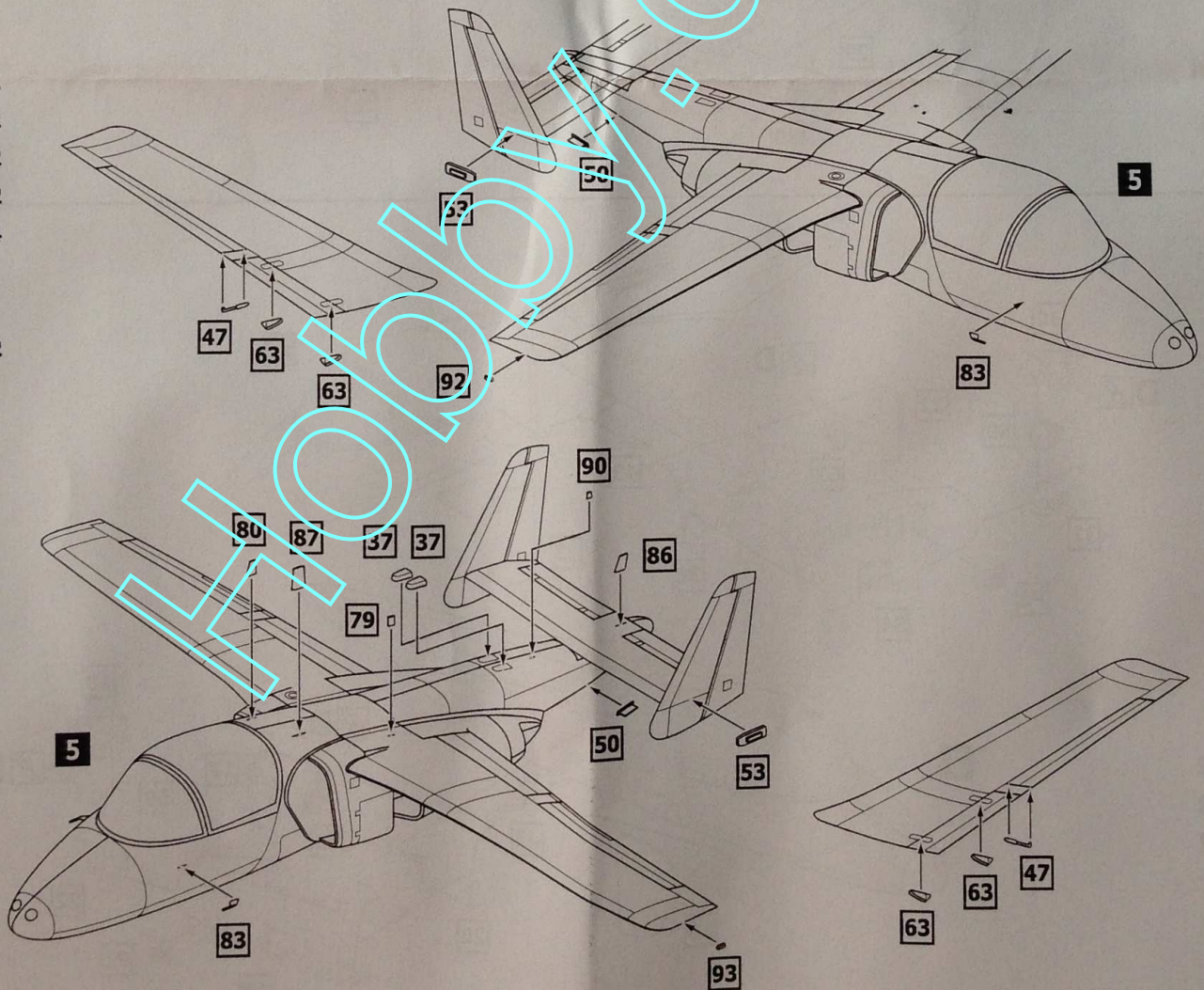
# ASSEMBLY INSTRUCTION



- 5**
- 4**
- 10**
- 11**
- 12**
- 13**
- 14**
- 15**



- 6**
- 5**
- 37** x2
- 47** x2
- 50** x2
- 53** x2
- 63** x4
- 79**
- 80**
- 83** x2
- 86**
- 87**
- 90**
- 92**
- 93**



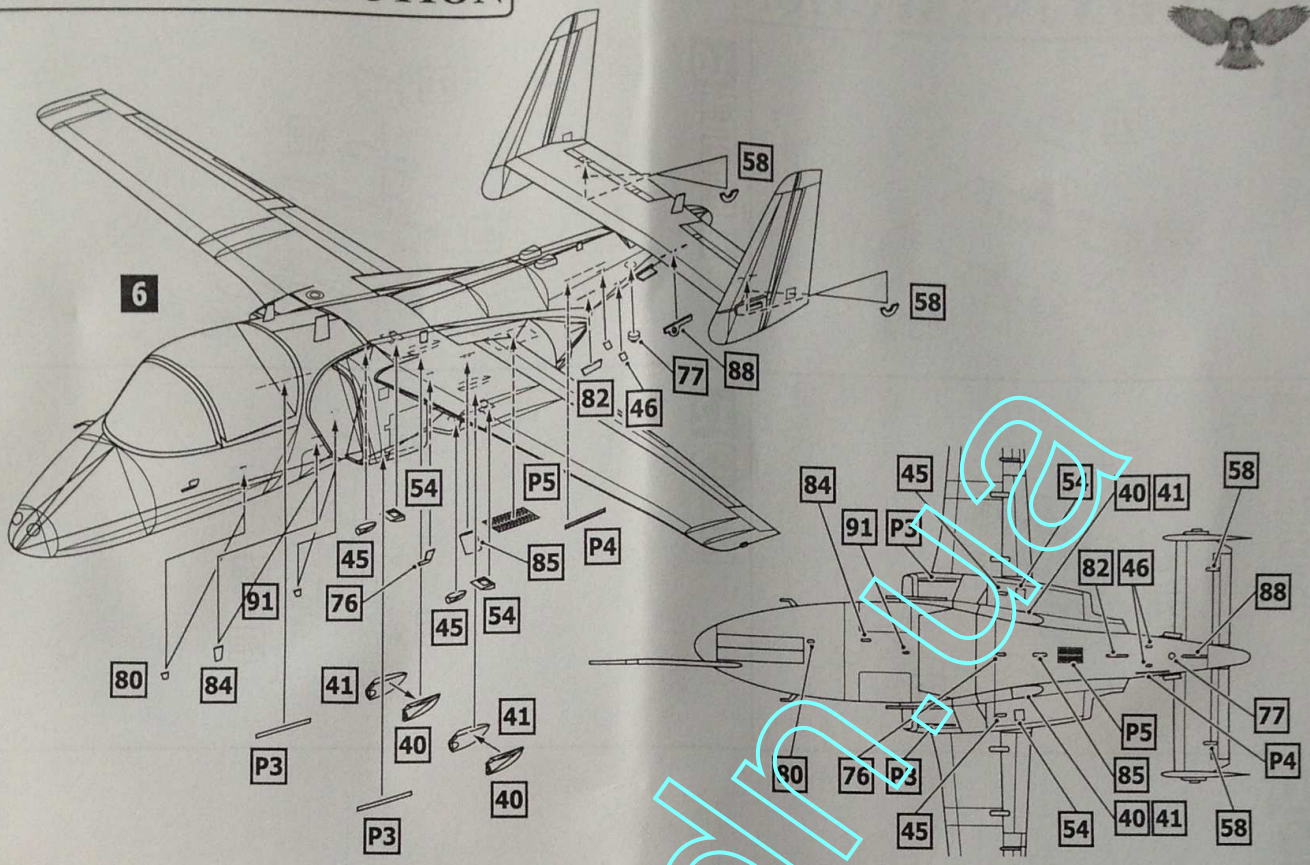
# ASSEMBLY INSTRUCTION



**7**

**6**

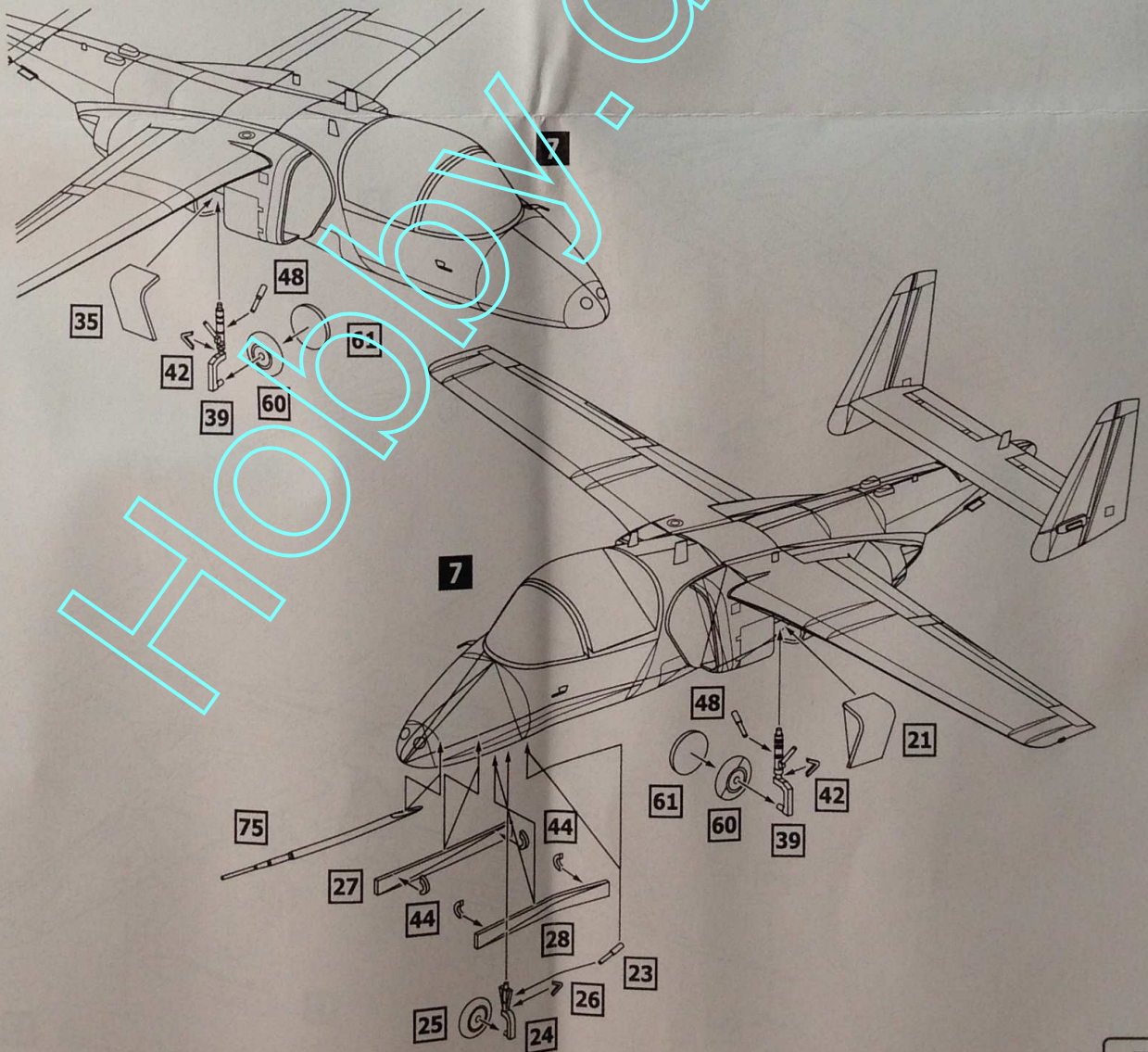
- 40 x2
- 41 x2
- 45 x2
- 46 x2
- 54 x2
- 58 x2
- 76
- 77
- 80
- 82
- 84
- 85
- 88
- 91
- P3 x2
- P4
- P5



**8**

**7**

- 21
- 23
- 24
- 25
- 26
- 27
- 28
- 35
- 39 x2
- 42 x2
- 44 x4
- 48 x2
- 60 x2
- 61 x2
- 75

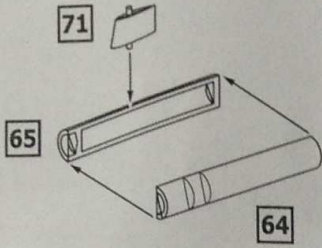


# ASSEMBLY INSTRUCTION



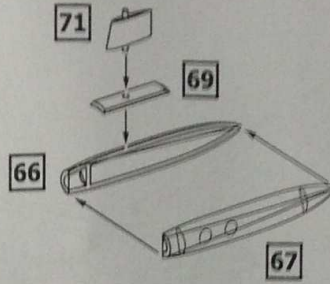
**9**

- 64
- 65
- 71



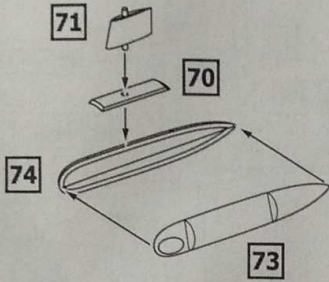
**10**

- 66
- 67
- 69
- 71



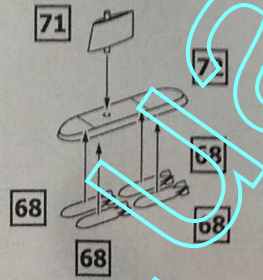
**11**

- 70
- 71
- 73
- 74



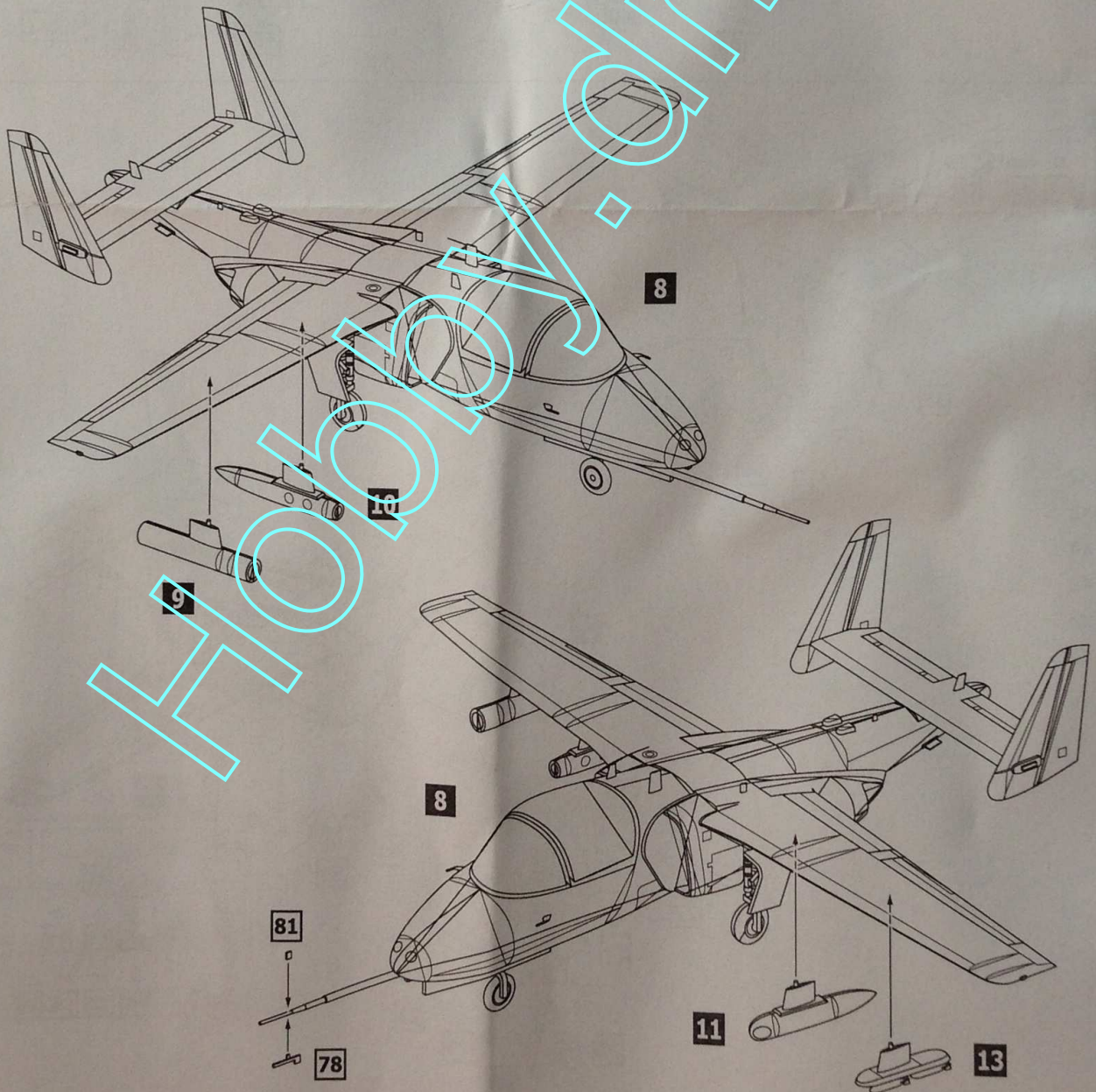
**12**

- 68 x4
- 71
- 72



**13**

- 8
- 9
- 10
- 11
- 13
- 78
- 81



# MARKING & PAINTING

T-46A Eaglet

