



LIMITED EDITION

SOVA-M
SVM-72052

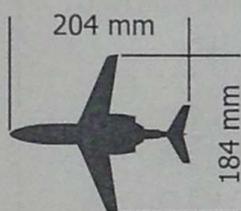
Beechjet
400A



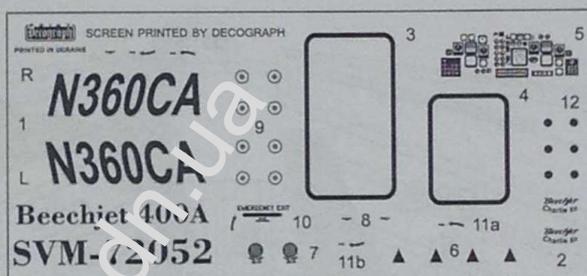
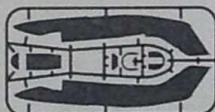
UNASSEMBLED PLASTIC MODEL KITS

SCALE:1/72

DECALS



155 parts



THREE VERSIONS OF COLOURING

PAINTS

- | | | | |
|---|-----------------|---|-------------|
| A | BRONZE METALLIC | B | BLACK |
| C | ALUMINIUM | D | GUN METAL |
| E | POLISHED STEEL | F | MEDIUM GREY |

SYMBOLS

- | | | | |
|-----------|------------------------|-------------------|---------------|
| 1 | STAGES OF ASSEMBLY | TO PAINT | TO BEND |
| 1 | NUMBER PARTS | GLUE | SCRATCH BUILT |
| | APPLY DECALS | DON'T GLUE | OPEN HOLE |
| x2 | QUANTITY OF OPERATIONS | НА ВИБІР OPTIONAL | CAT OUT |

The Hawker 400 is a light business jet. Initially designed and built by Mitsubishi, it has been further developed and updated by the Beech Aircraft Company, now part of Textron Aviation. It was produced over 30 years under the names such as Mitsubishi Diamond/Diamond II, Beechjet 400/400A, and Hawker 400XP; military version T-1 Jayhawk was also produced. In total, over 900 Hawker 400s have been delivered. Since 2017, a factory-engineered and supported upgrade to Hawker 400XPR is provided, reducing fuel consumption by 16-20%, and improving range by as much as 33%.

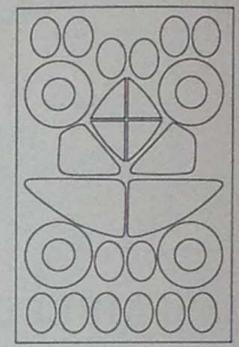
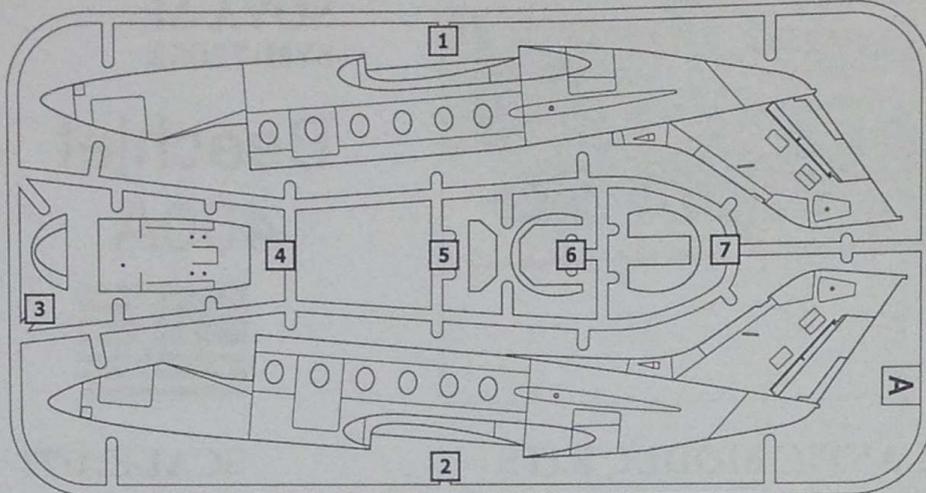
The model is executed on technology short run and is intended only for experienced modelers.
 Word-wide distributor for Sova-M kits:
 ModelSvit Balkans Ltd. 4003 Plovdiv,
 Bulgaria 9, zK Maritza Gardens.
 Tel. +359 32 397 069,
 E-Mail: modelsvitbalkans@gmail.com
 MADE IN UKRAINE

SET OF THE PARTS

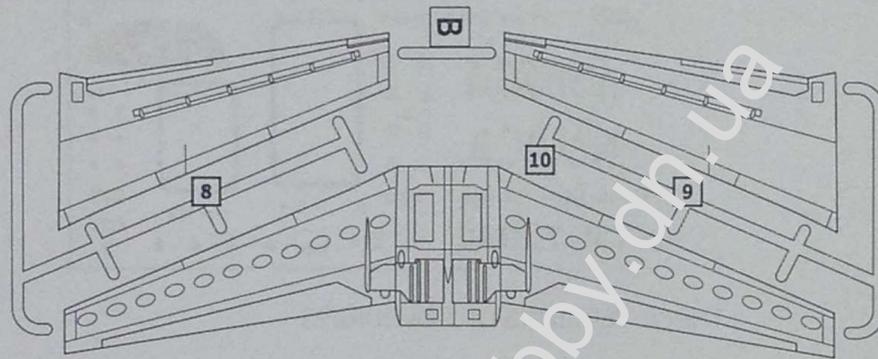


PARTS NOT FOR USE

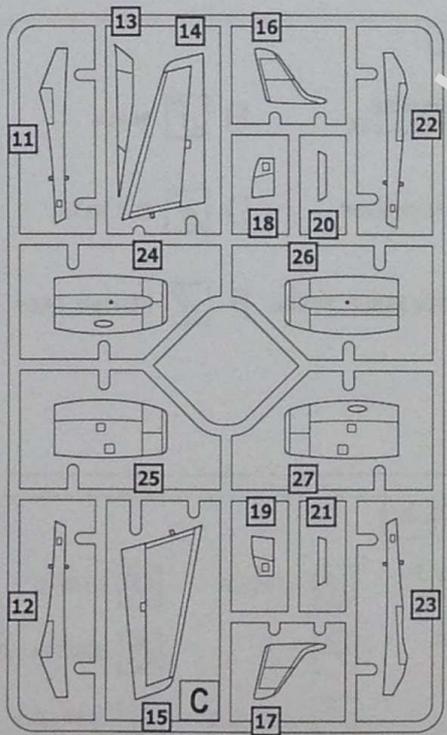
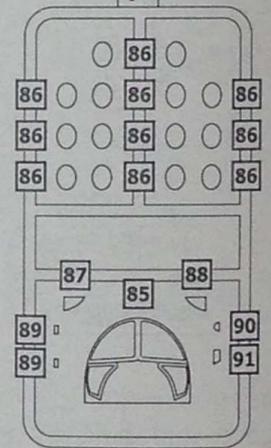
P



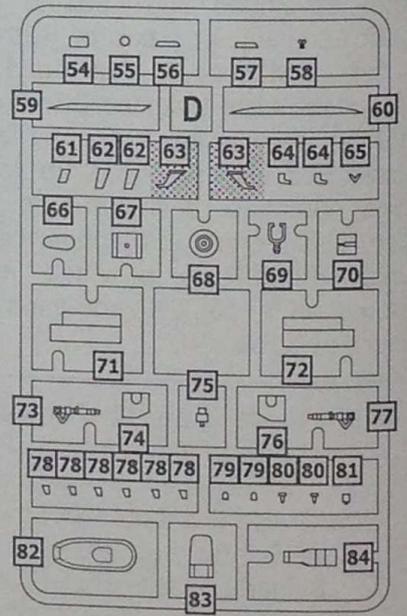
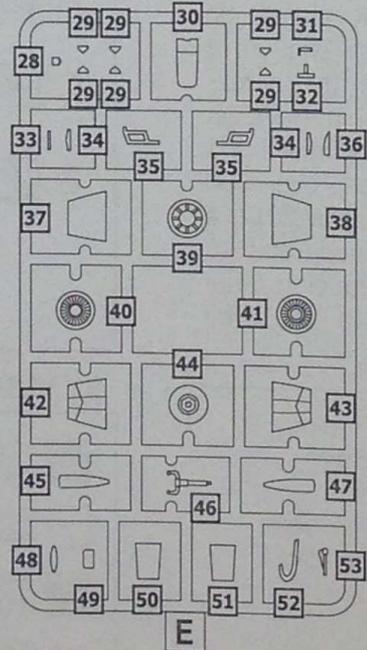
MASKS FOR PAINTING



F



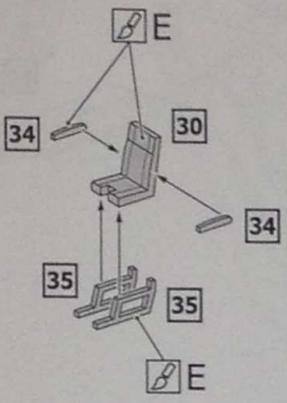
x2



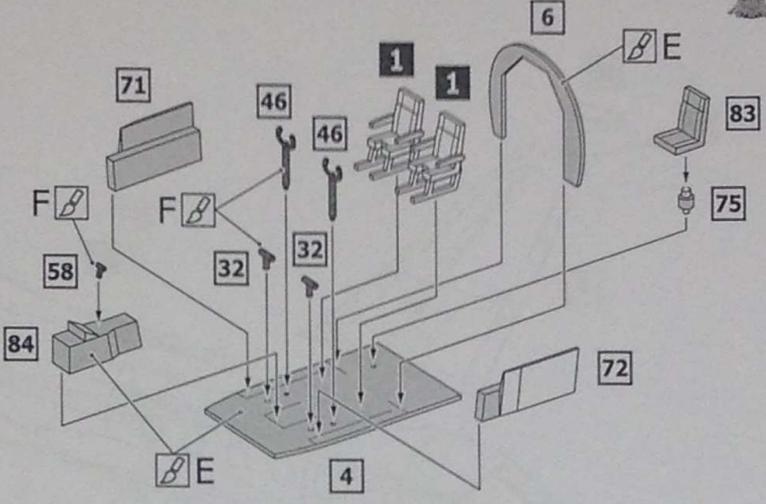
ASSEMBLY INSTRUCTION



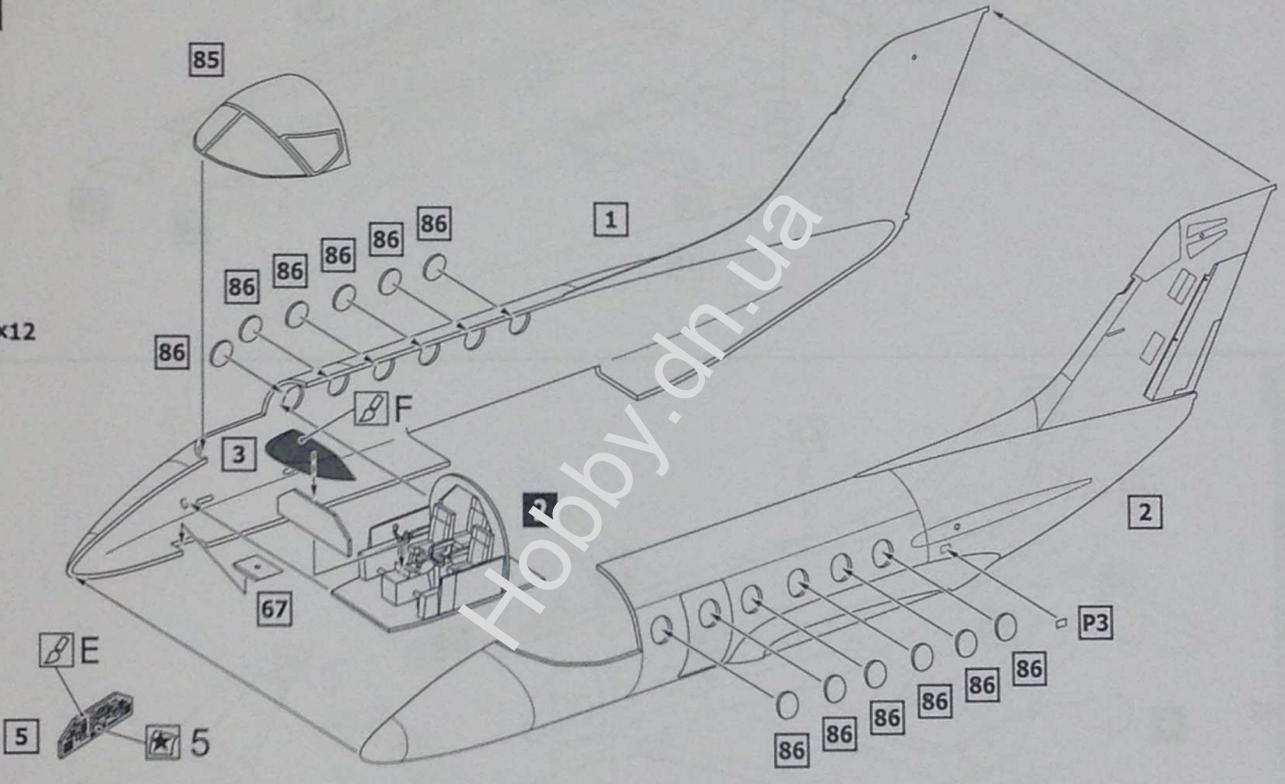
- 1** x2
- 30** x2
- 34** x4
- 35** x4



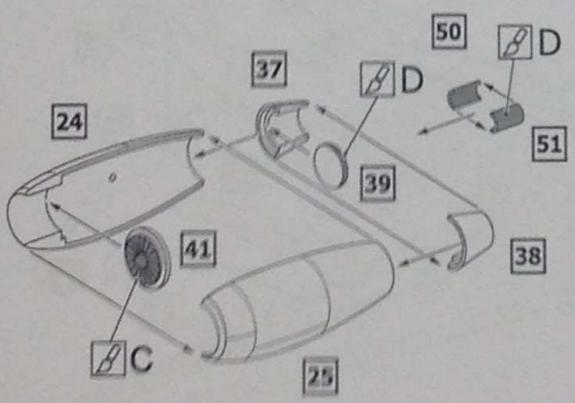
- 2**
- 1** x2
- 4**
- 6**
- 32** x2
- 46** x2
- 58**
- 71**
- 72**
- 75**
- 83**
- 84**



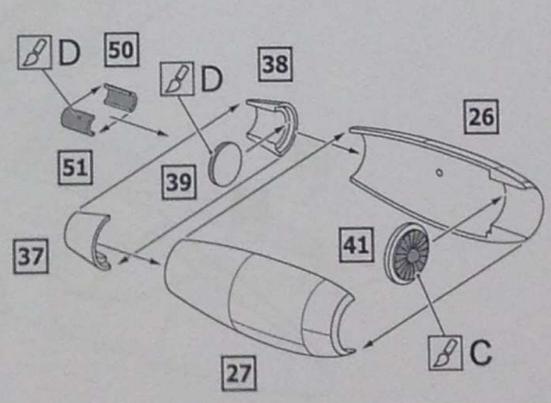
- 3**
- 2**
- 1**
- 2**
- 3**
- 5**
- 67**
- 85**
- 86** x12
- P3**



- 4**
- 24**
- 25**
- 37**
- 38**
- 39**
- 41**
- 50**
- 51**



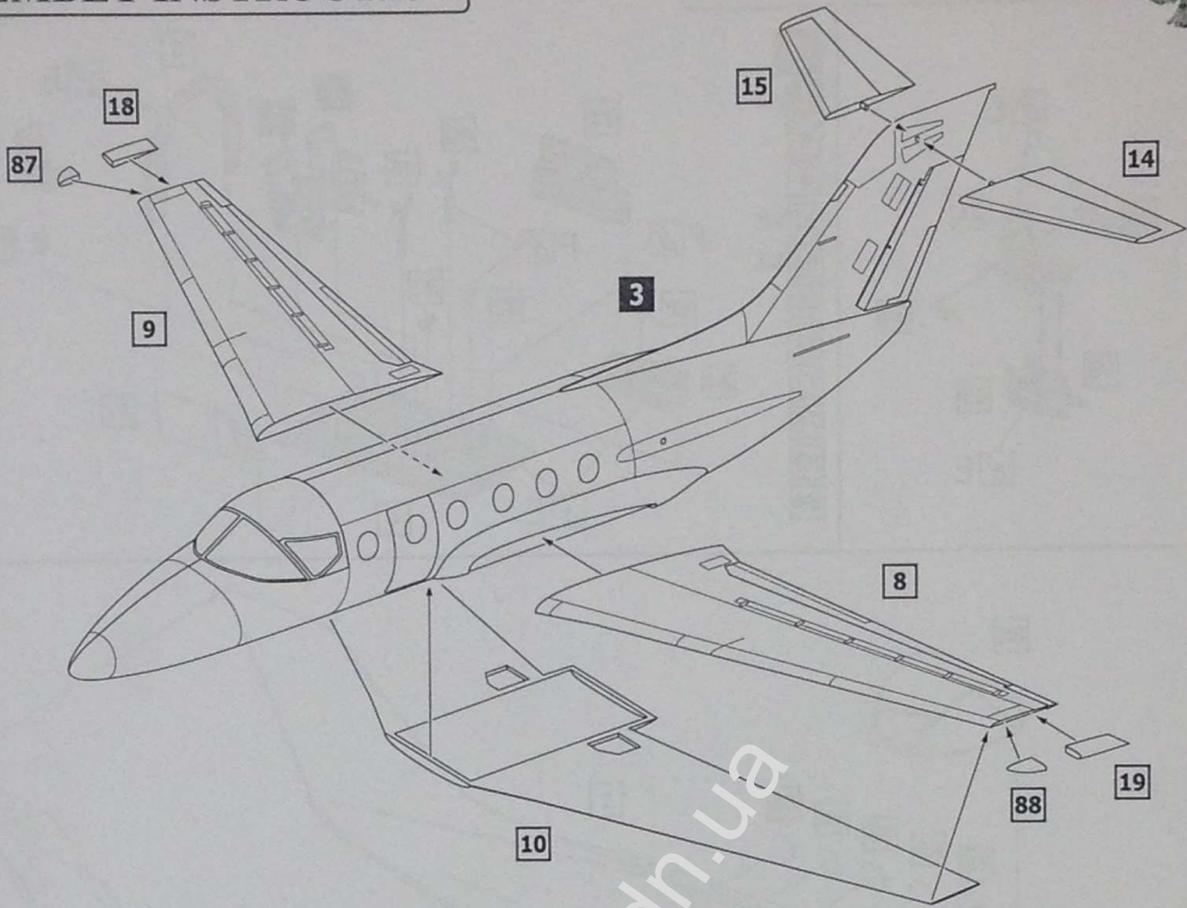
- 5**
- 26**
- 27**
- 37**
- 38**
- 39**
- 41**
- 50**
- 51**



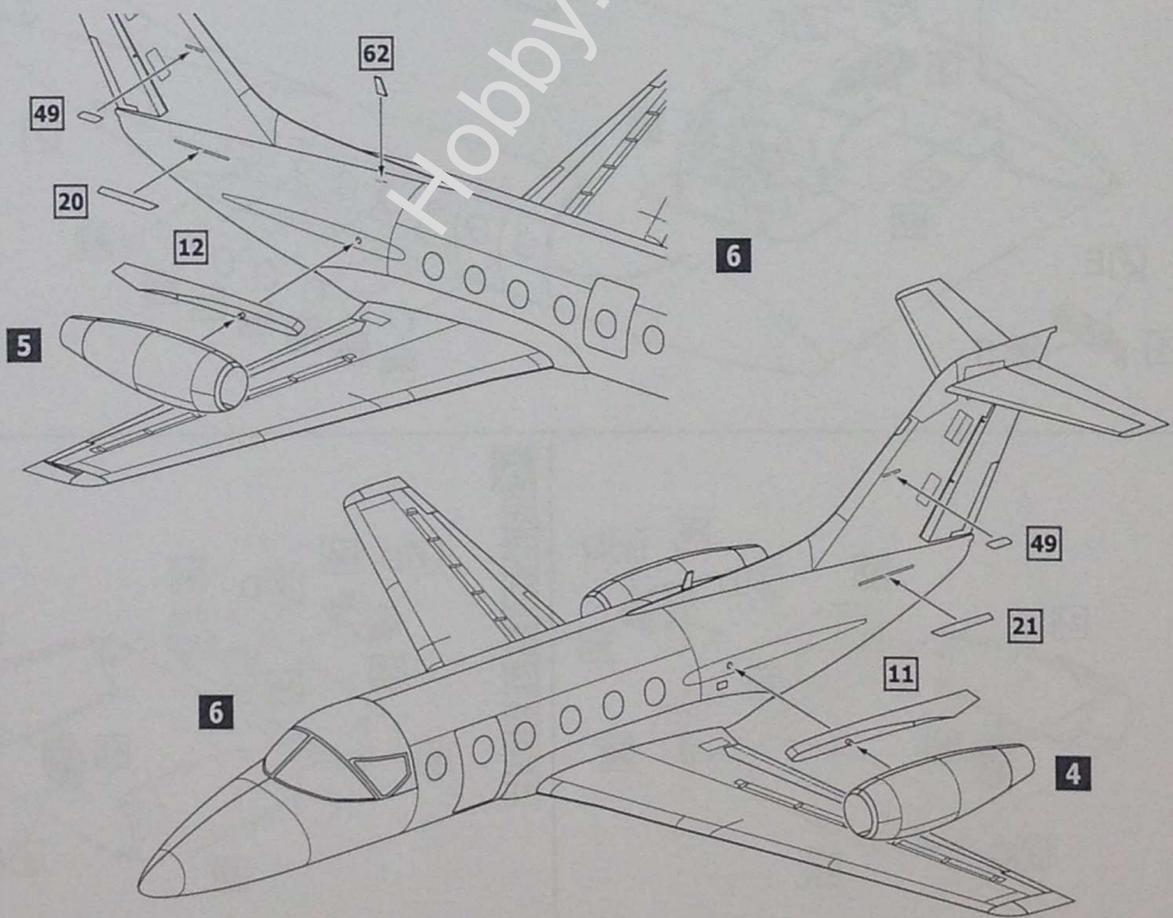
ASSEMBLY INSTRUCTION



- 6
- 3
- 8
- 9
- 10
- 14
- 15
- 18
- 19
- 87
- 88



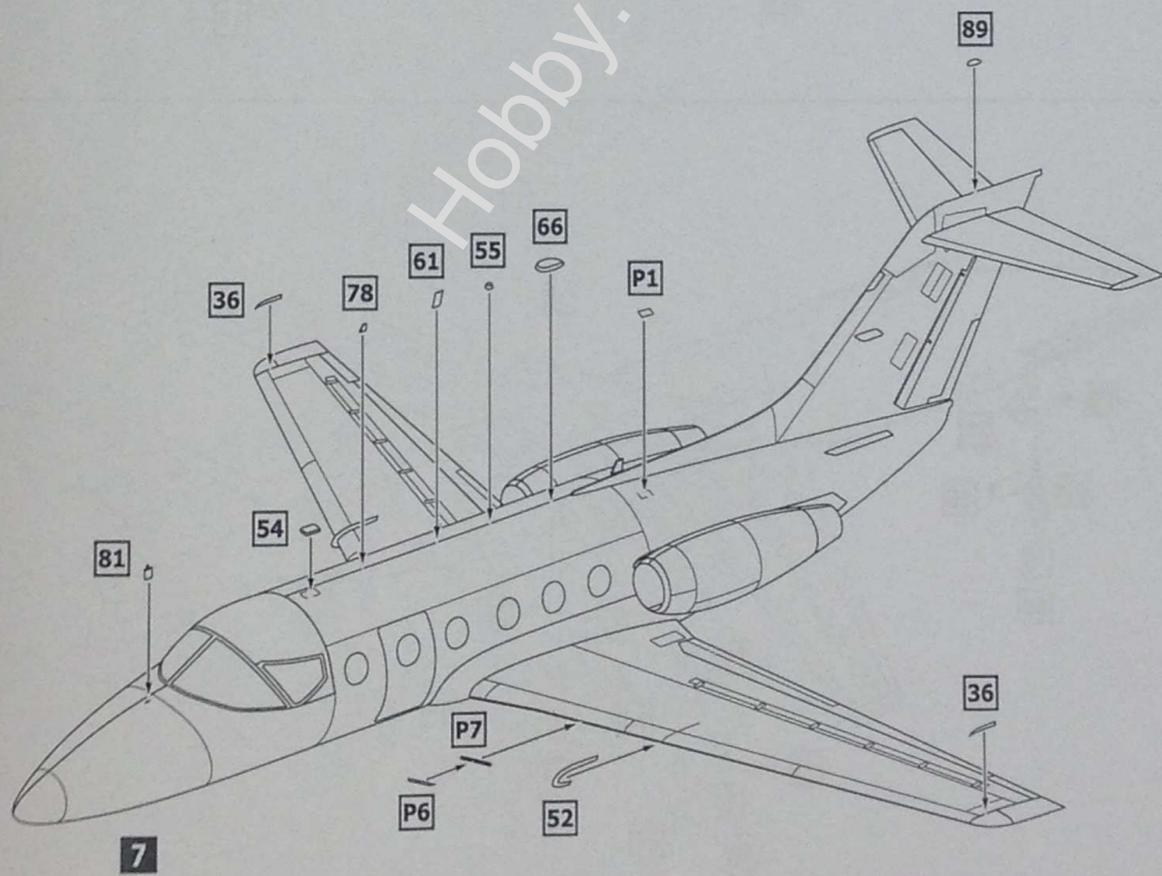
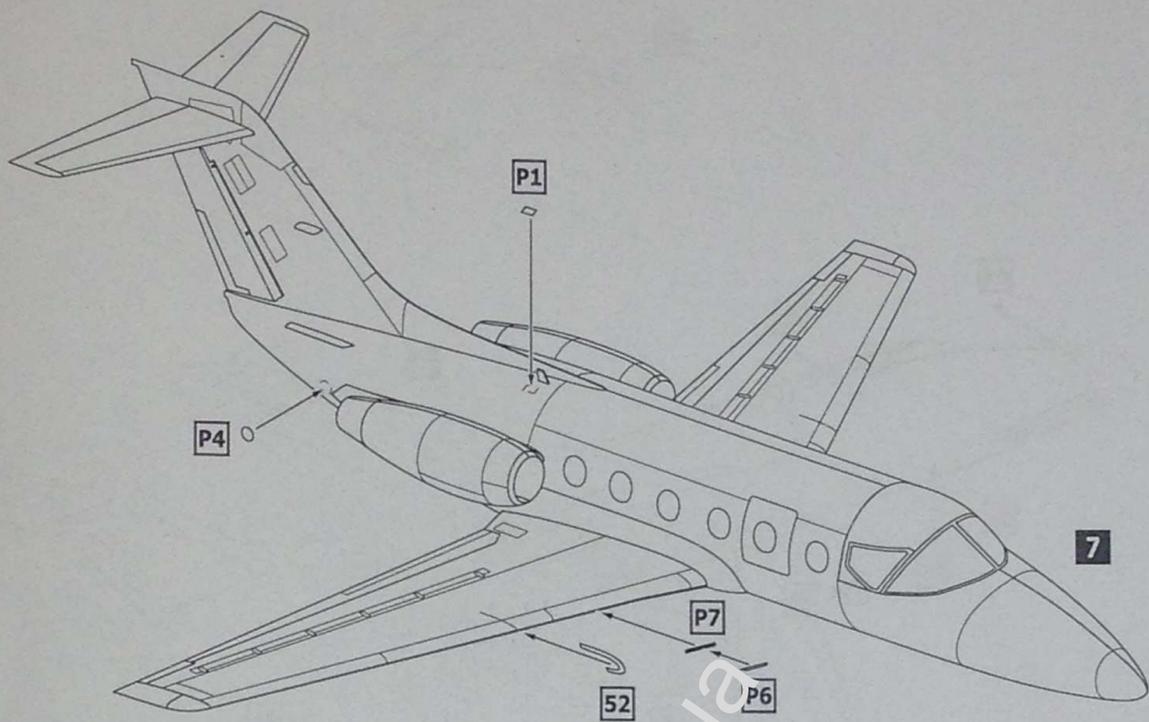
- 7
- 4
- 5
- 6
- 11
- 12
- 20
- 21
- 49 x2
- 62



ASSEMBLY INSTRUCTION



- 8**
- 7**
- 36** x2
- 52** x2
- 54**
- 55**
- 61**
- 66**
- 78**
- 81**
- 89**
- P1** x2
- P4**
- P6** x2
- P7** x2



ASSEMBLY INSTRUCTION



9

8

13

28 x2

29 x12

31 x2

48 x2

56

57

60

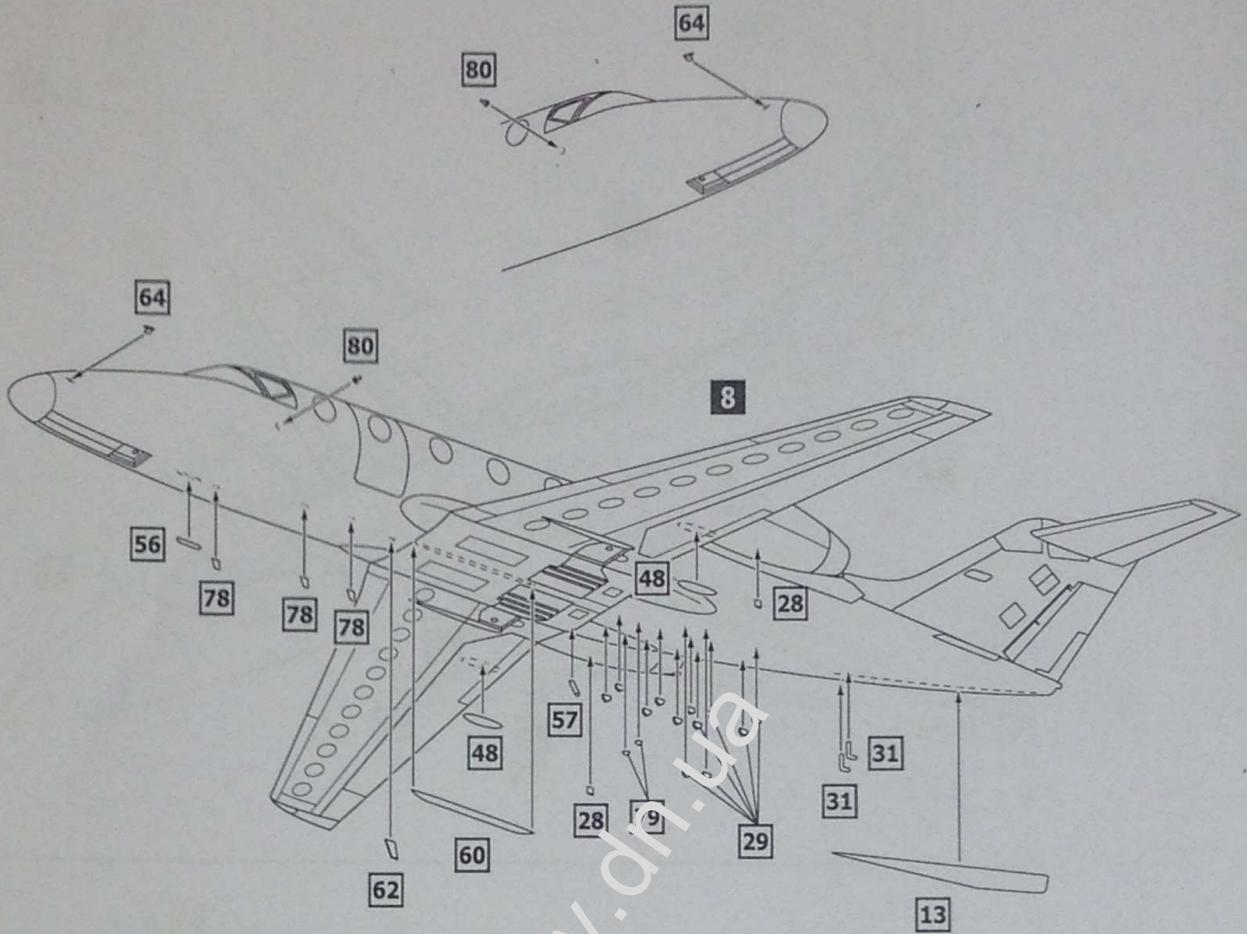
62

64 x2

78 x3

79 x2

80 x2



10

9

33 x2

44 x2

53 x2

65

68

69

70

73

74

76

77

P2

