



LIMITED EDITION

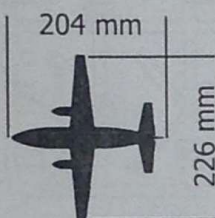
SOVA-M  
SVM-72053

Jetstream  
Super 31



UNASSEMBLED PLASTIC MODEL KITS

SCALE:1/72

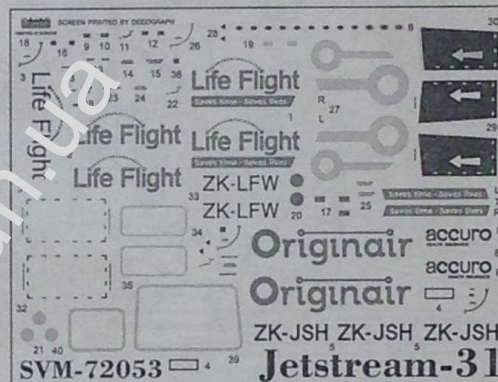


152 parts



DECALS

TWO COLOR  
OPTIONS



The British Aerospace Jetstream 31/32 is a light twin-turboprop airliner, developed and manufactured by British Aerospace. The Jetstream 31 is developed from the earlier Handley Page Jetstream 1. Until 1993, 386 Jetstream aircrafts had been manufactured, including 161 Jetstream Super 31 (Jetstream 32) airliners with 14 seats passenger cabs. The Jetstream 32 differed from the baseline aircraft in baggage section dimensions and more powerful TPE331-12 engines (1020 h.p. each one).

The model is executed on technology short run and is intended only for experienced modelers.

Word-wide distributor for Sova-M kits:  
ModelSvit Balkans Ltd. 4003 Plovdiv,  
Bulgaria 9, zK Maritza Gardens.

Tel. +359 32 397 069,

E-Mail: modelsvitbalkans@gmail.com

MADE IN UKRAINE

PAINTS

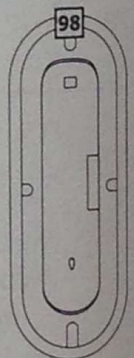
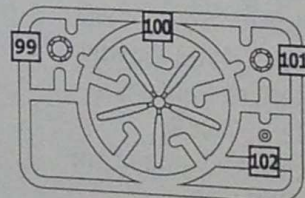
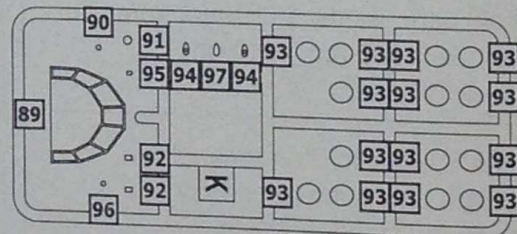
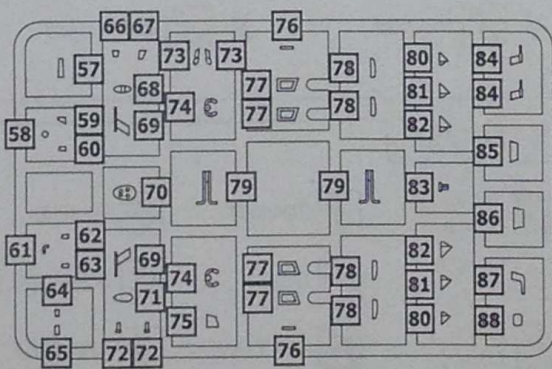
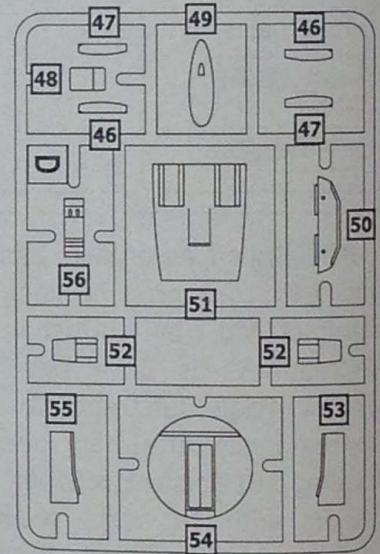
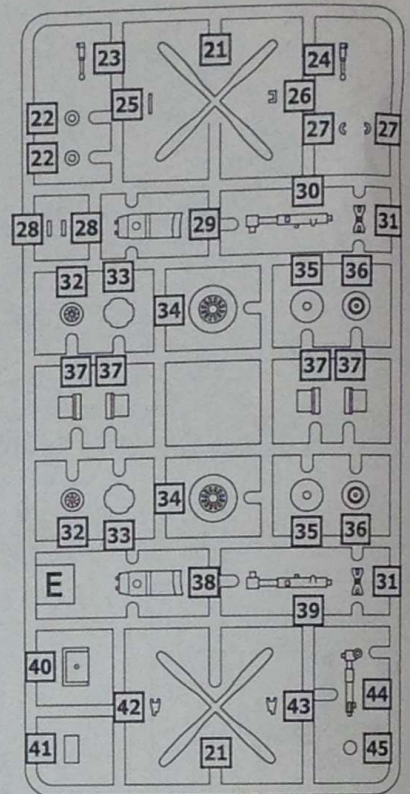
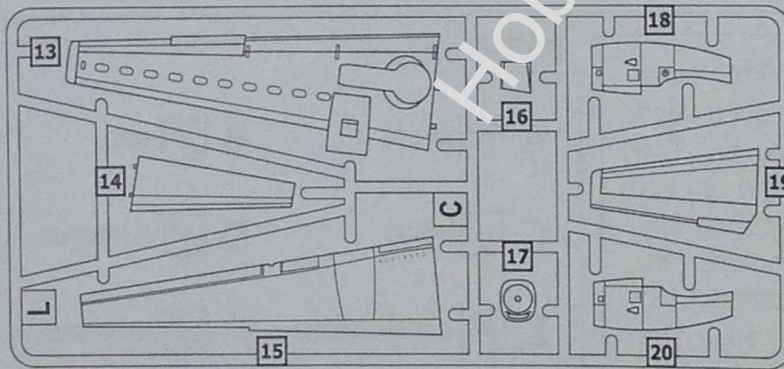
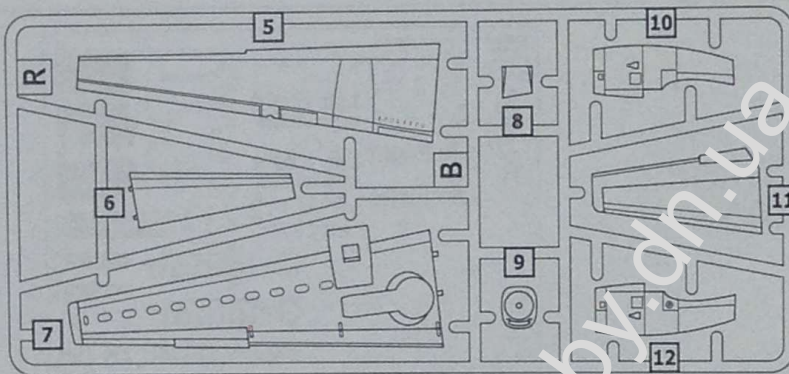
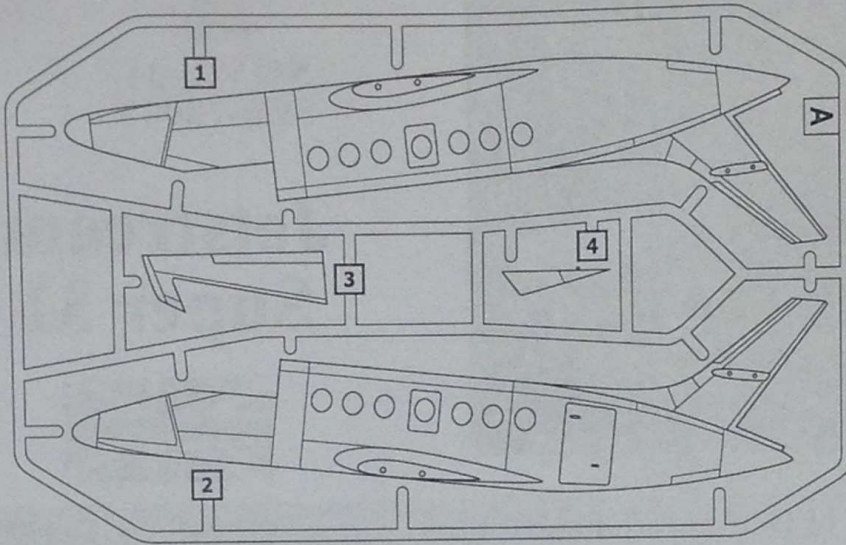
- |   |  |                |   |  |            |
|---|--|----------------|---|--|------------|
| A |  | WHITE          | B |  | RED        |
| C |  | BLACK          | D |  | ALUMINIUM  |
| E |  | POLISHED STEEL | F |  | LIGHT GREY |
| Y |  | YELLOW         | H |  | DARK GREY  |

SYMBOLS

- |           |                        |  |                   |  |               |
|-----------|------------------------|--|-------------------|--|---------------|
| <b>1</b>  | STAGES OF ASSEMBLY     |  | TO PAINT          |  | TO BEND       |
| <b>1</b>  | NUMBER PARTS           |  | GLUE              |  | SCRATCH BUILT |
|           | APPLY DECALS           |  | DON'T GLUE        |  | OPEN HOLE     |
| <b>x2</b> | QUANTITY OF OPERATIONS |  | НА ВИБІР OPTIONAL |  | CAT OUT       |

# SET OF THE PARTS

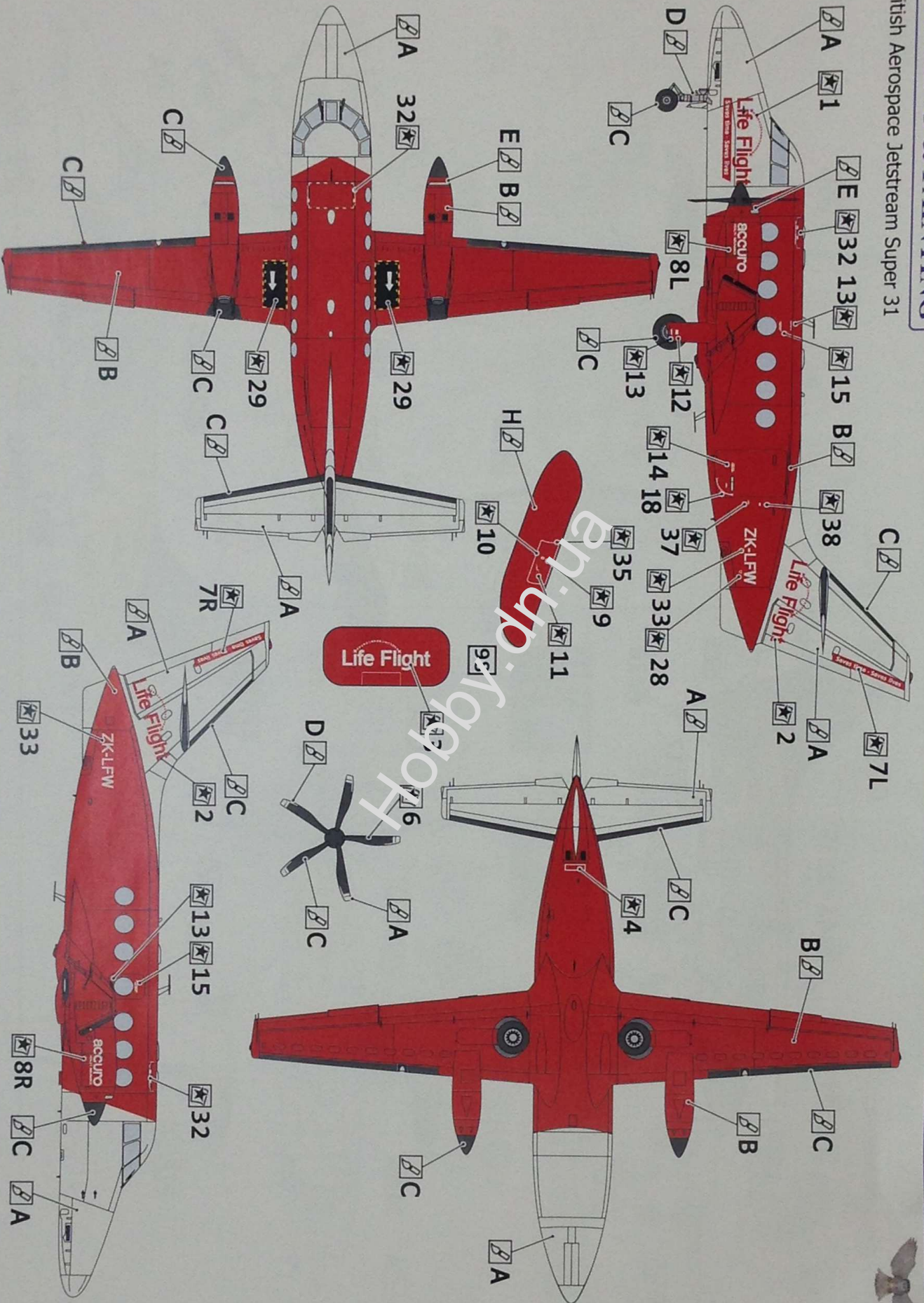
PARTS NOT FOR USE



x2

# MARKING & PAINTING

British Aerospace Jetstream Super 31

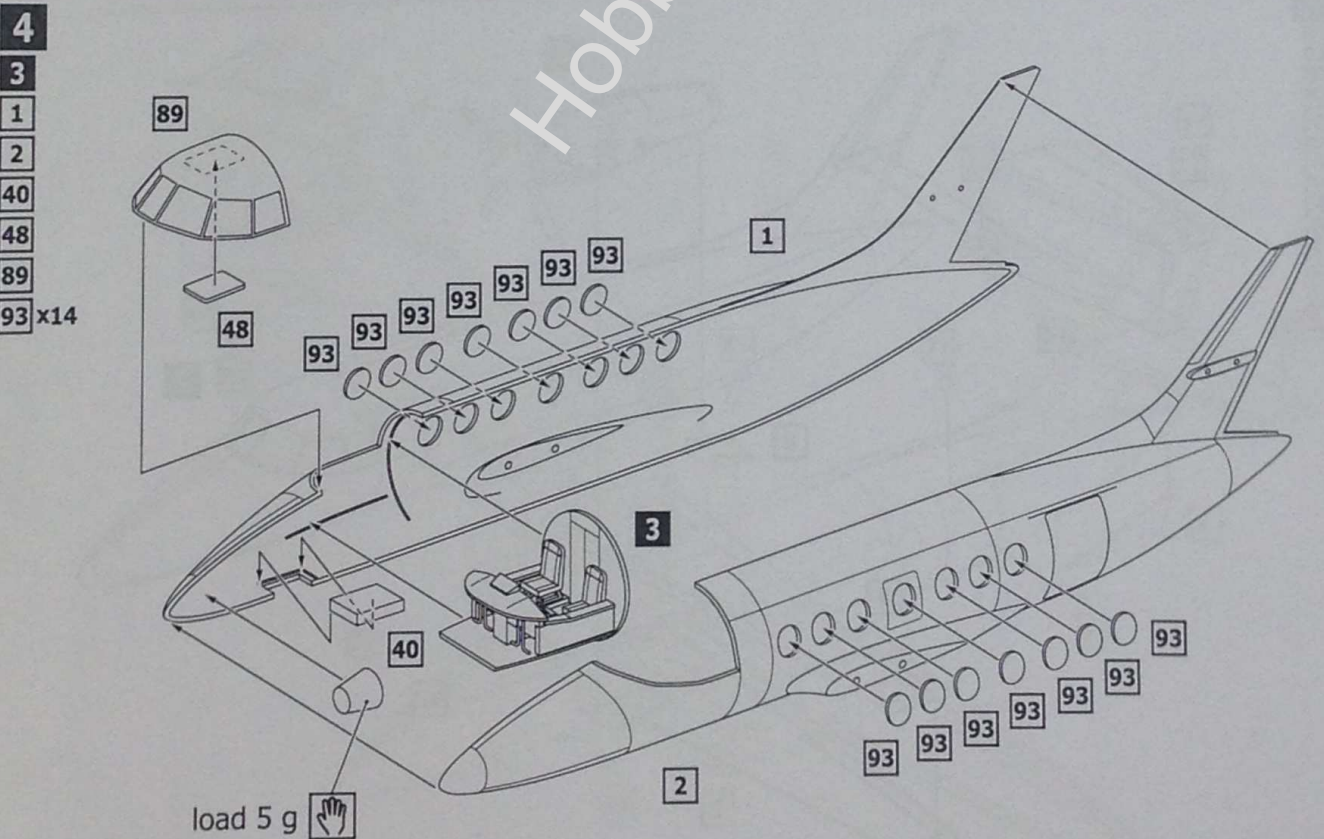
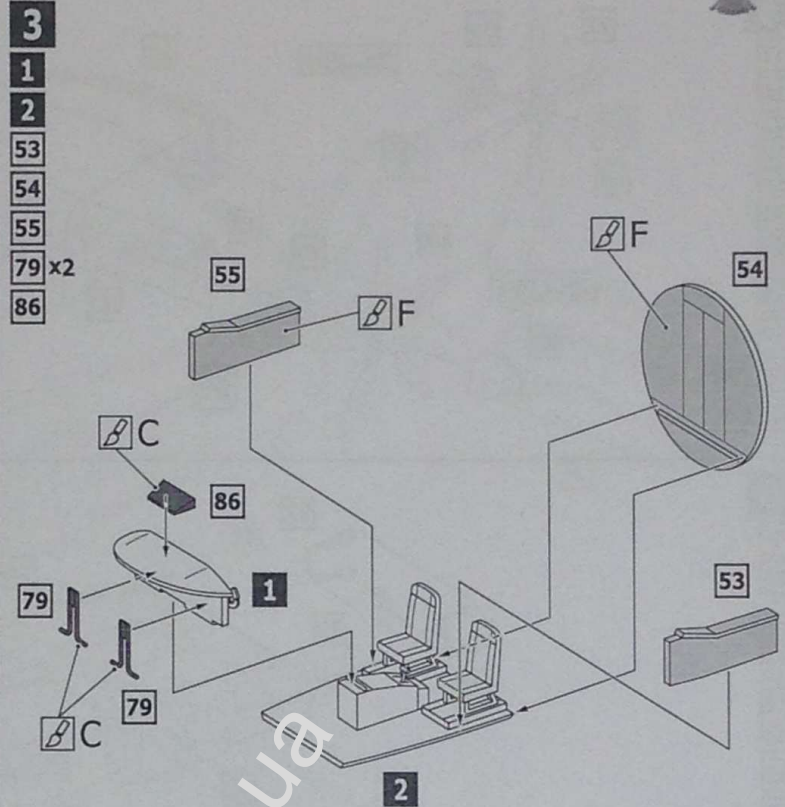
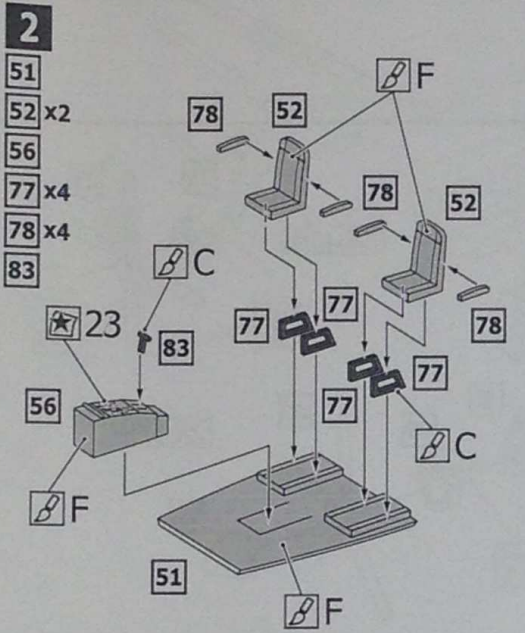
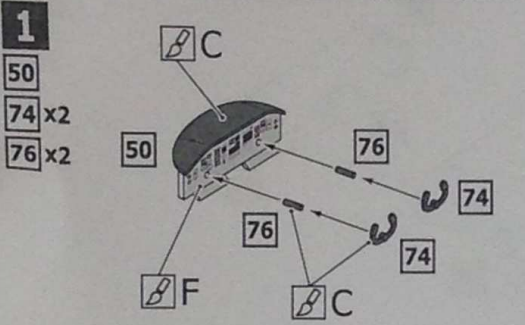


# MARKING & PAINTING

British Aerospace Jetstream 31



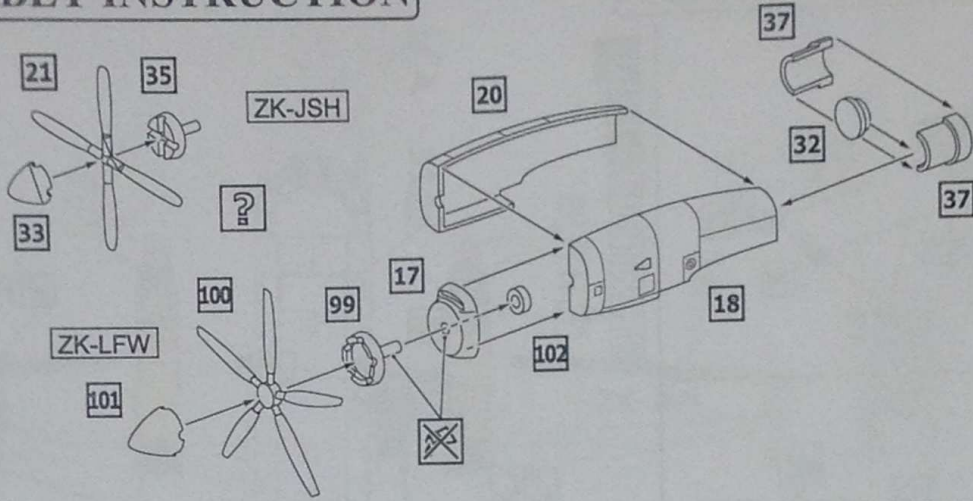
# ASSEMBLY INSTRUCTION



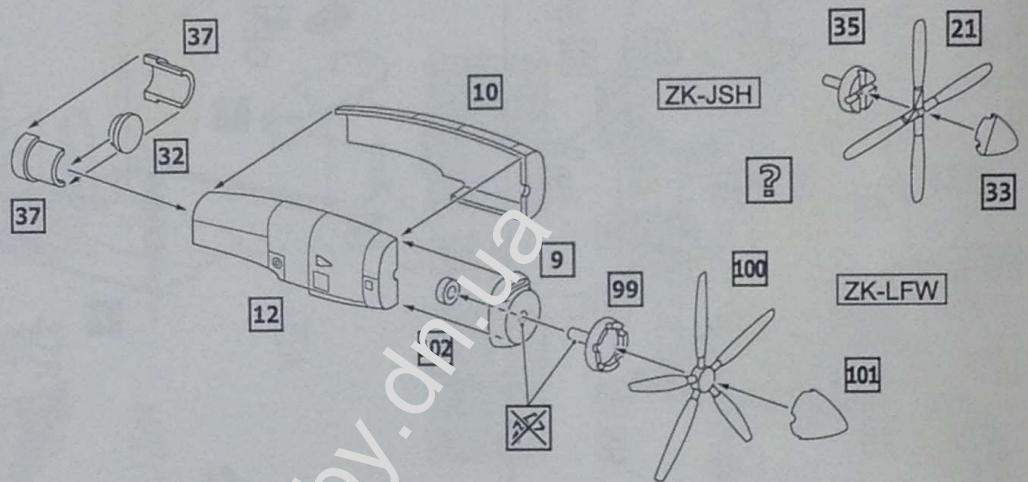
# ASSEMBLY INSTRUCTION



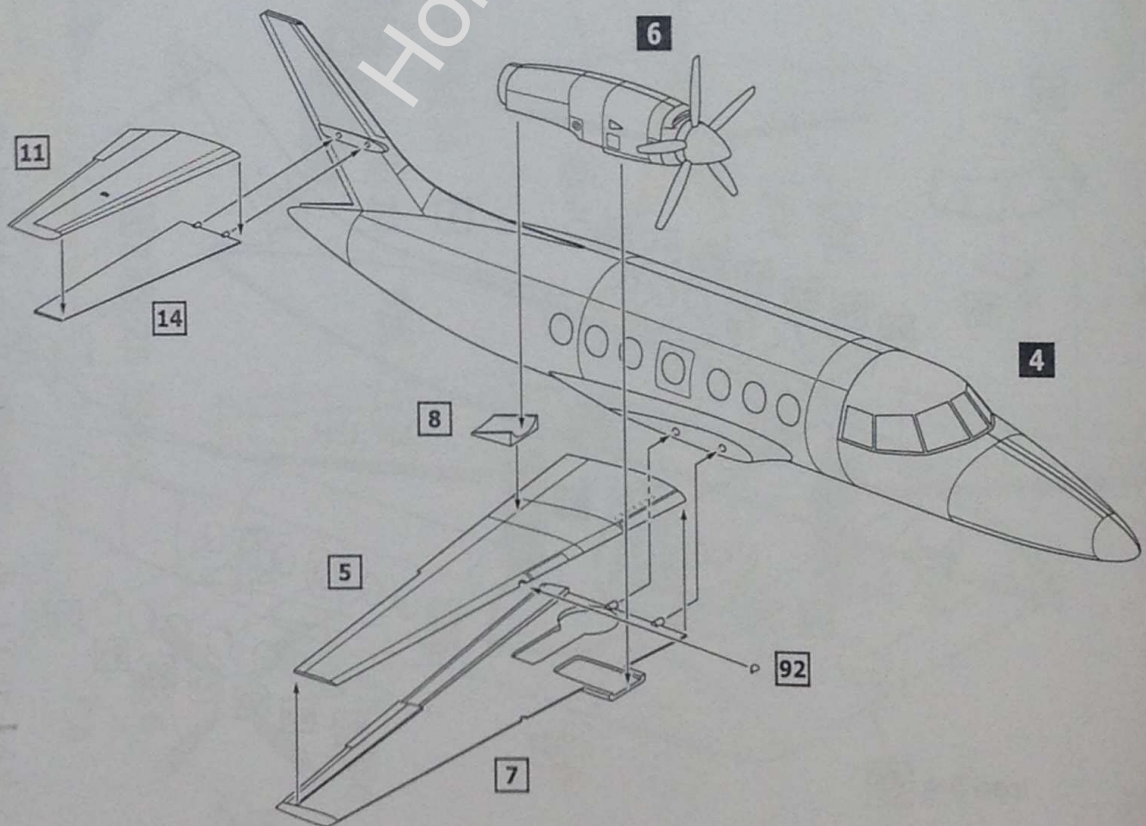
- 5**
- 17
- 18
- 20
- 21
- 32
- 33
- 35
- 37 x2
- 99 101
- 100 102



- 6**
- 9
- 10
- 12
- 21
- 32
- 33
- 35
- 37 x2
- 99 101
- 100 102



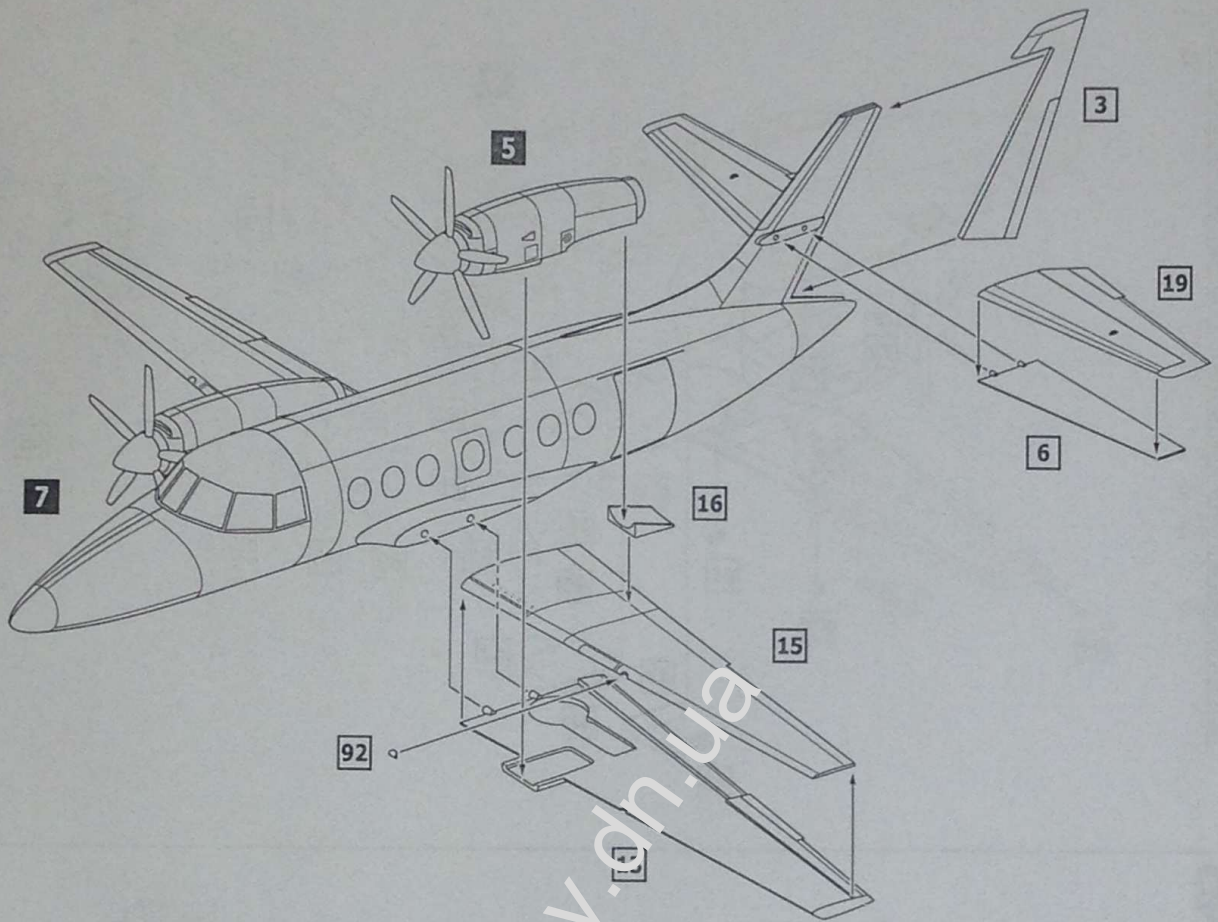
- 7**
- 4
- 6
- 5
- 7
- 8
- 11
- 14
- 92



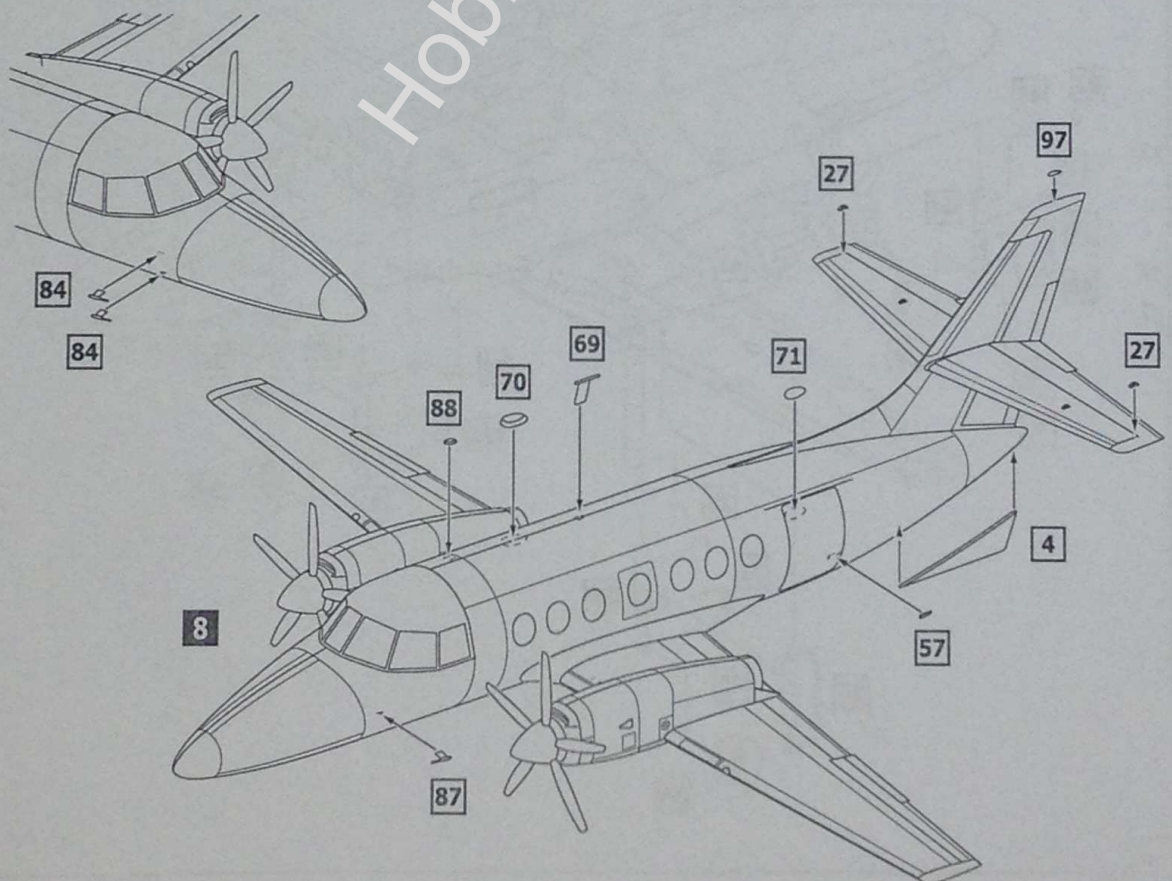
# ASSEMBLY INSTRUCTION



- 8
- 5
- 7
- 3
- 6
- 13
- 15
- 16
- 19
- 92



- 9
- 8
- 4
- 27 x2
- 57
- 69
- 70
- 71
- 84 x2
- 87
- 88
- 97



# ASSEMBLY INSTRUCTION



**10**

**9**

46 x2

47 x2

58

59

61

65

68

69

72 x2

73 x2

75

80 x2

81 x2

82 x2

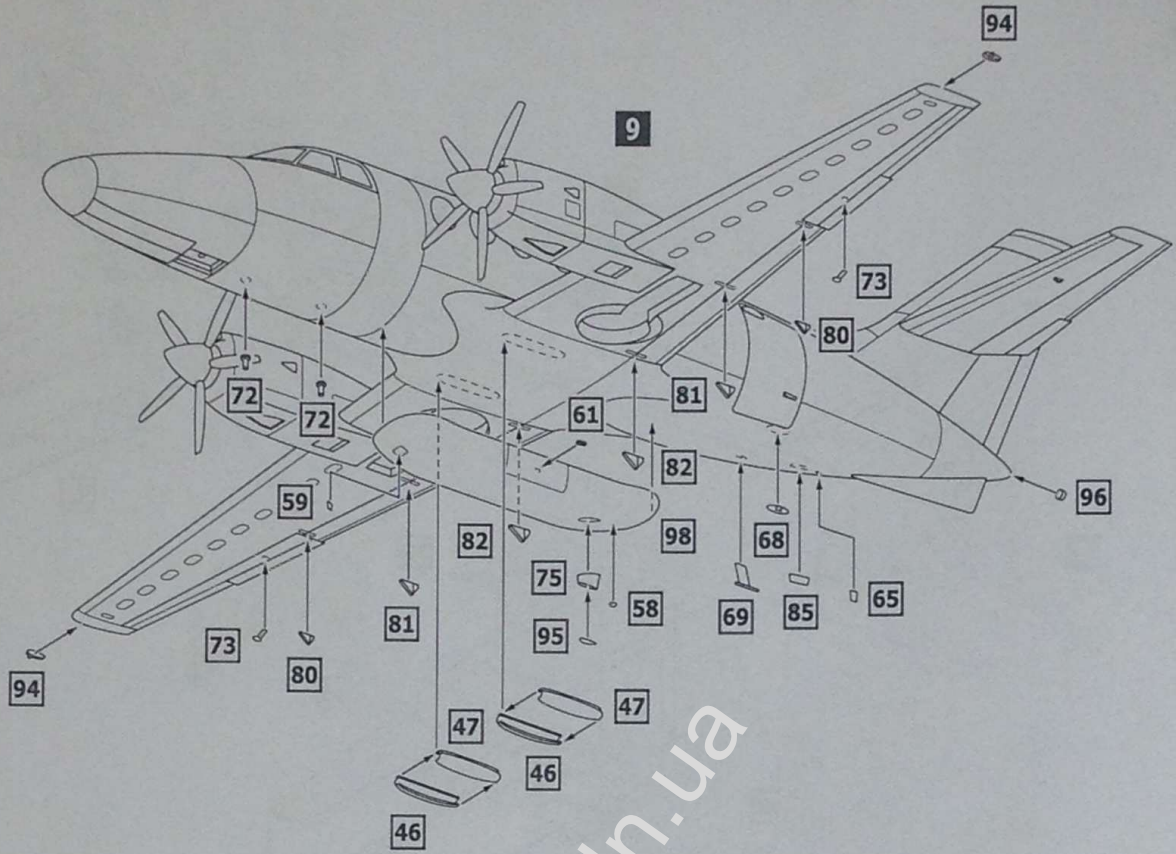
85

94 x2

95

96

98



**11**

**10**

23

24

25

26

28 x2

29

30

31 x2

34 x2

36 x2

38

39

41

42

43

44

45

91

