

SW 72072 scale: 1/72

# Lockheed T2V-1

## Seastar



Since 1949, the U.S. Navy used the Lockheed T-33 for land-based jet aircraft training, these T-33 have been under designation TO-2, later TV-2.

However, there was a strong need for training aircraft able to make operation from aircraft carriers. This request led to an advanced design development of the T-33 family, which came into result of Lockheed L-245 (under USN designation T2V).

The first demonstrator L-245 first flew on 16 December 1953 and production deliveries started in 1955.

The only version of the T2V was initially designated T2V-1 when it entered service, but was redesignated T-1A SeaStar in 1962.

The T-1A was replaced by the T-2 Buckeye but remained in service into the 1970s.

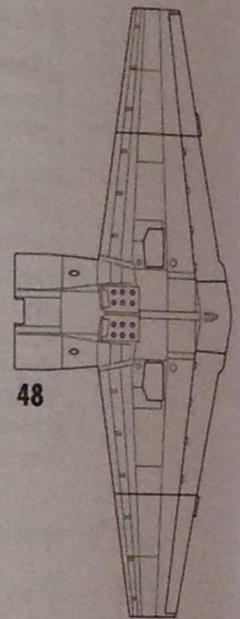
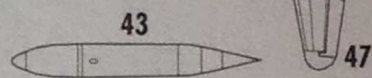
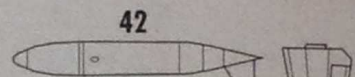
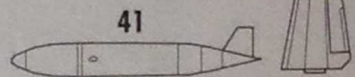
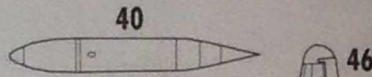
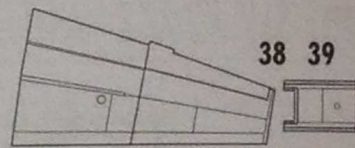
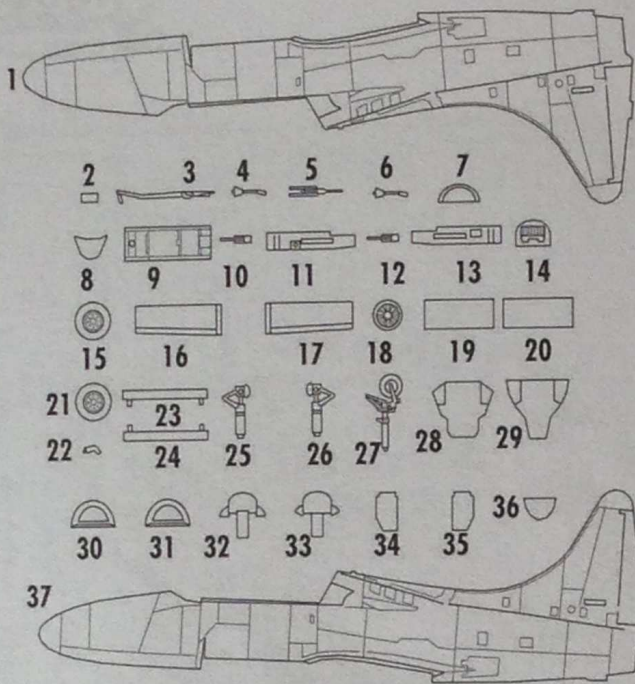
Compared to the T-33, the T2V was almost totally re-engineered for carrier landings with a new tail, naval avionics, strengthened undercarriage (for carrier landings and catapult use) with a retractable arrestor hook, and power-operated leading-edge.

Instructor's seat was elevated to improve the vision from this seat.

Besides this changes T2V had a much higher ability to withstand sea water-related aircraft wear from higher humidity and salt exposure.

The only version of the T2V was initially designated T2V-1 when it entered service, but was redesignated T-1A SeaStar under the 1962 United States Tri-Service aircraft designation system, a name under which it would spend the majority of its career.

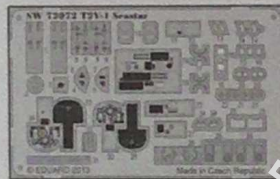
The T-1A was replaced by the T-2 Buckeye but remained in service into the 1970s.



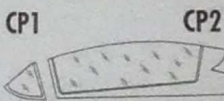
URETHAN PARTS (U)



PHOTO-ETCHED PARTS (PP)



CLEAR PARTS (CP)



OHNOVIT  
REFRESH



VRTAT  
OPEN HOLE



VYROBIT  
SCRATCH BUILD



VTÉRINOVÉ LEPIDLO  
CYANOACRYLATE GLUE



SYMETRICKÁ MONTÁŽ  
SYMMETRICAL ASSEMBLY



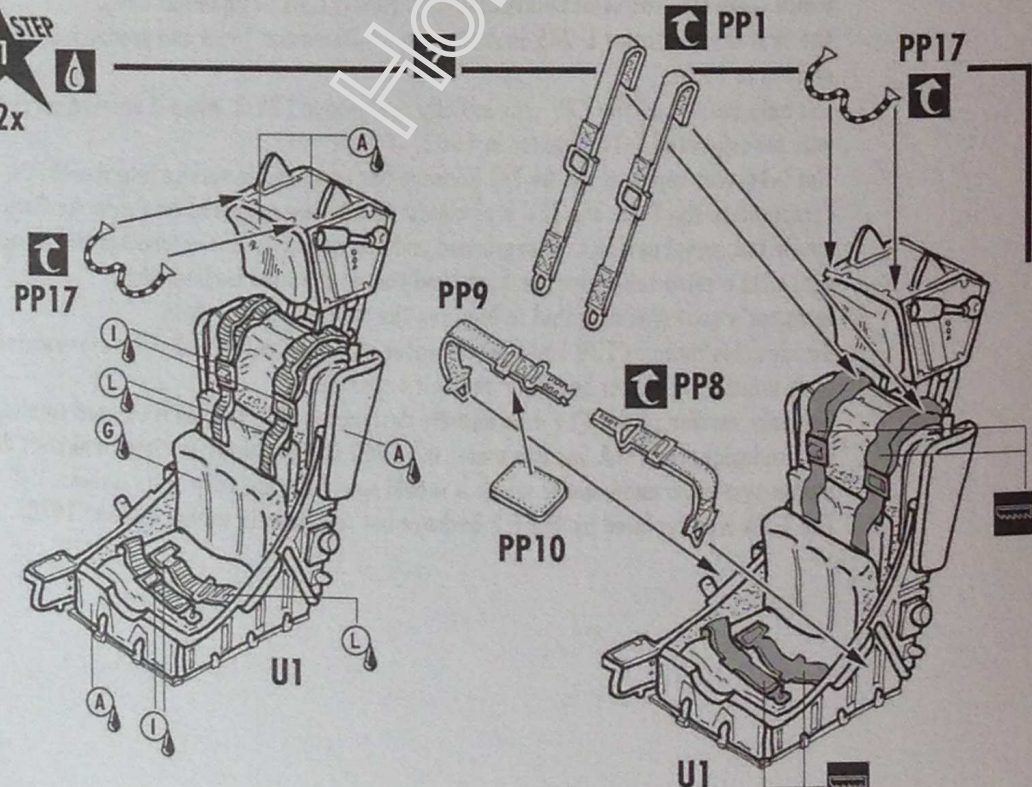
VOLBA  
OPTION



ODSTARNIT  
REMOVE

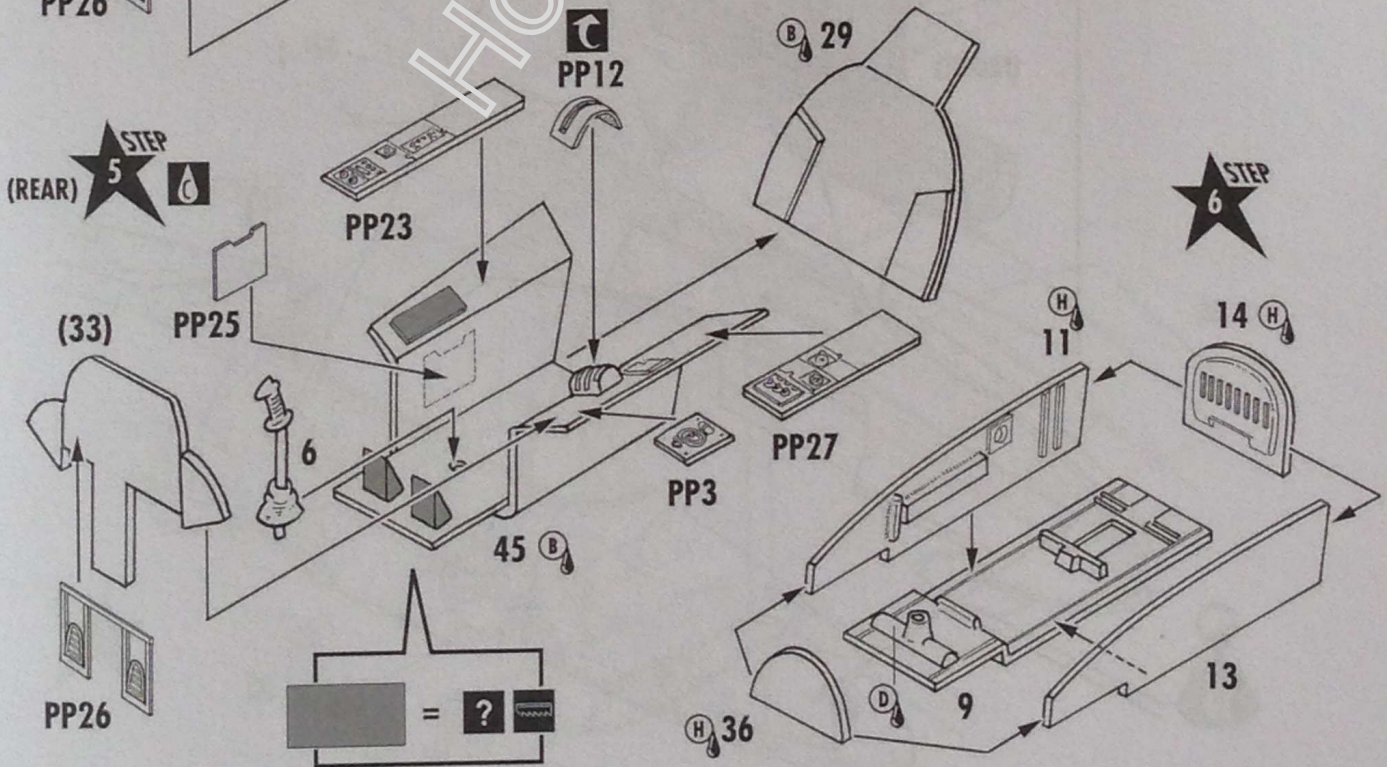
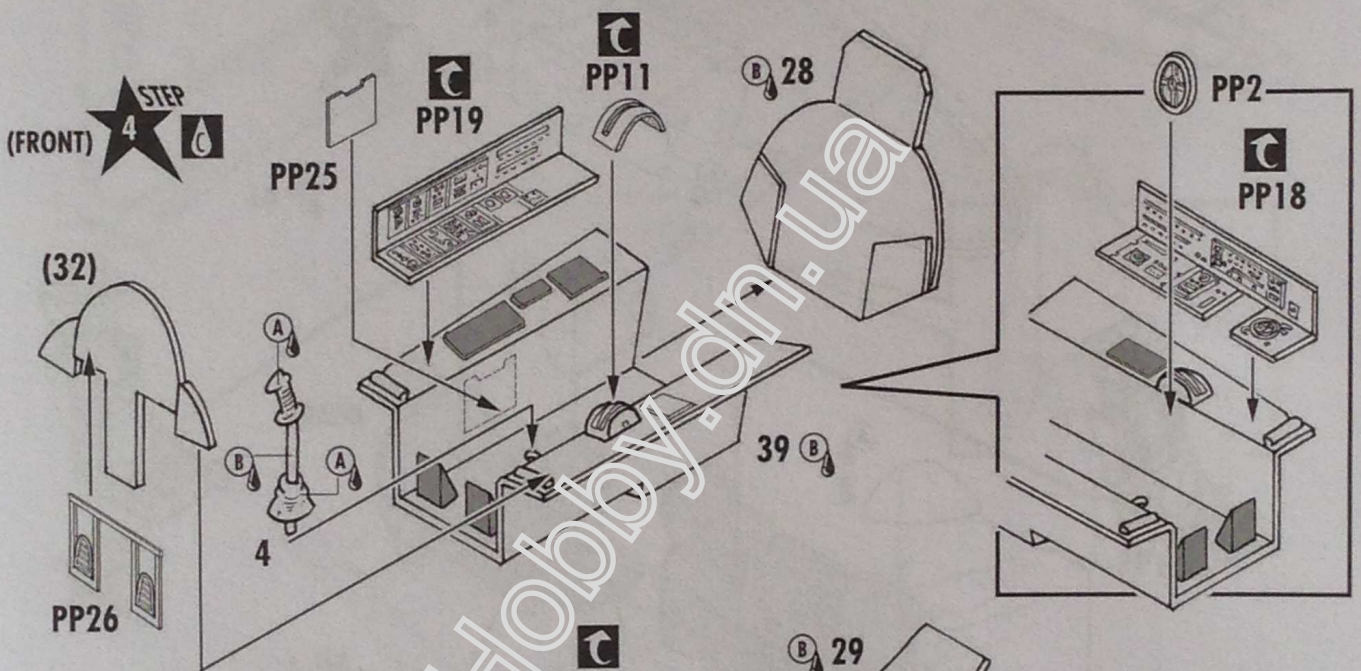
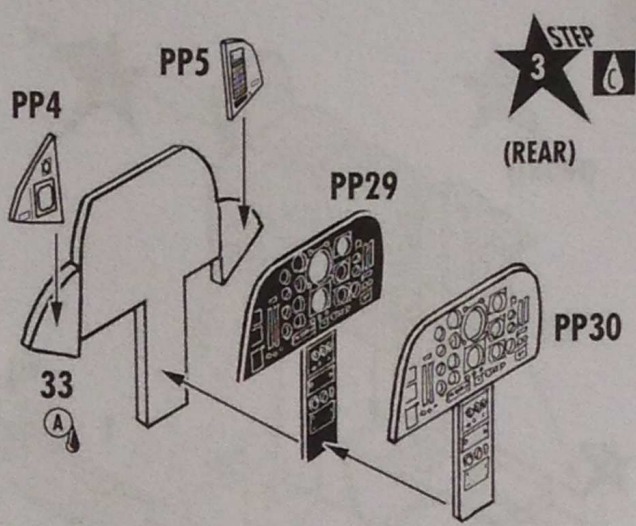
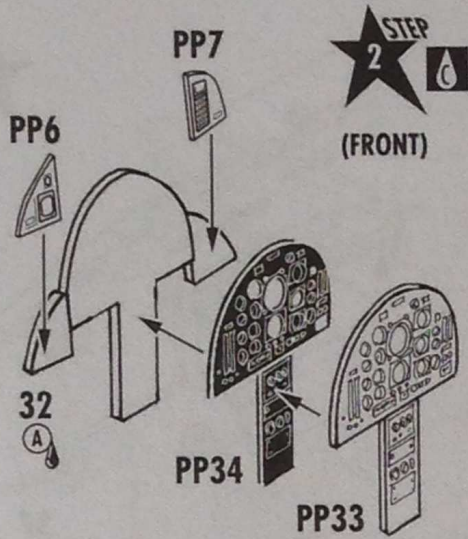
STEP 1

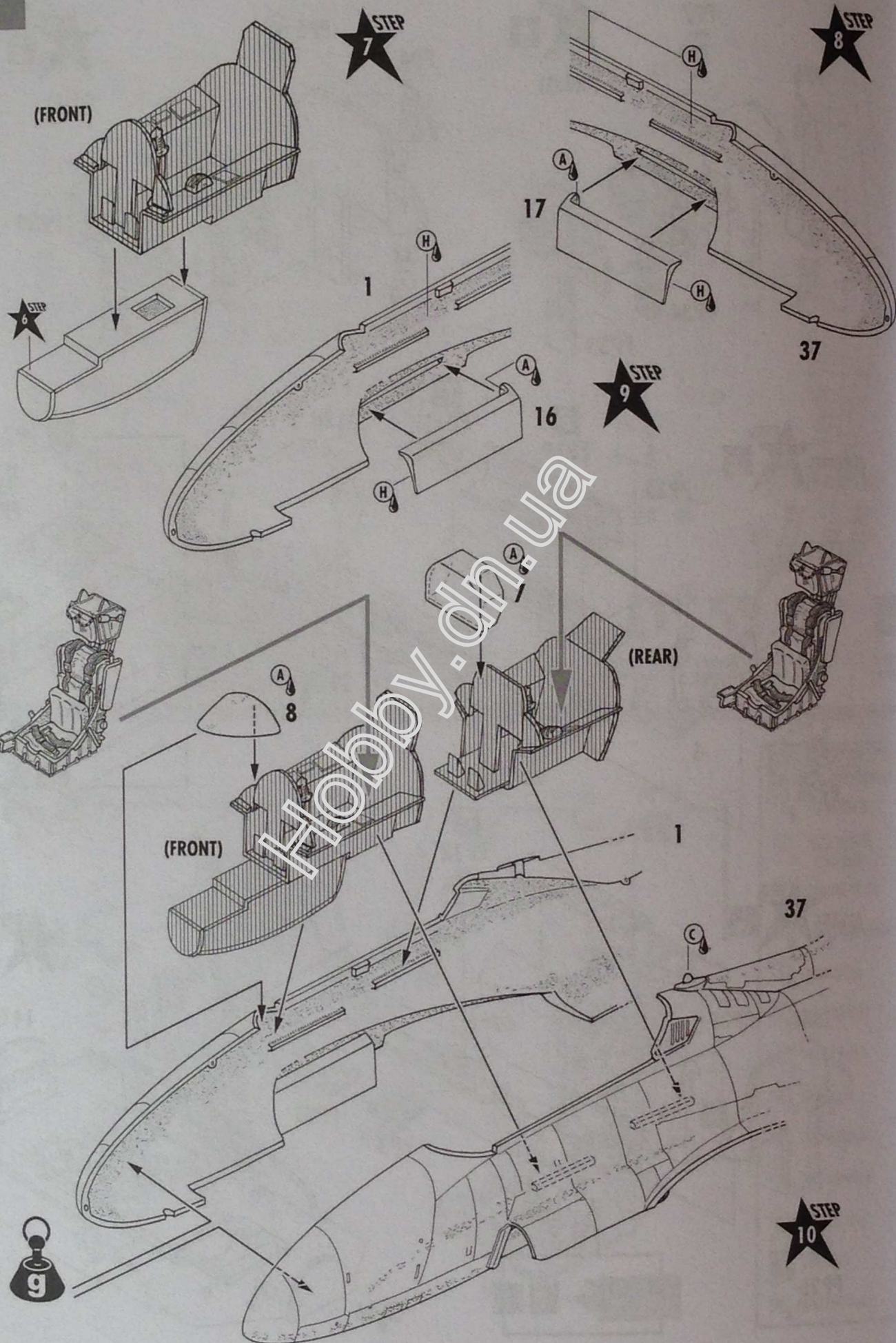
2x



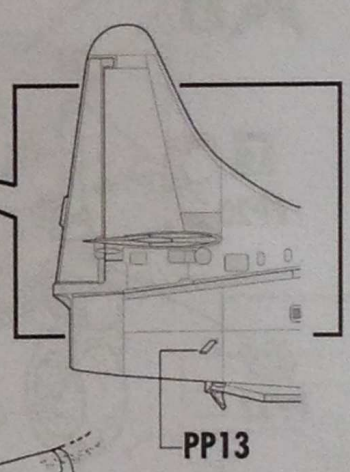
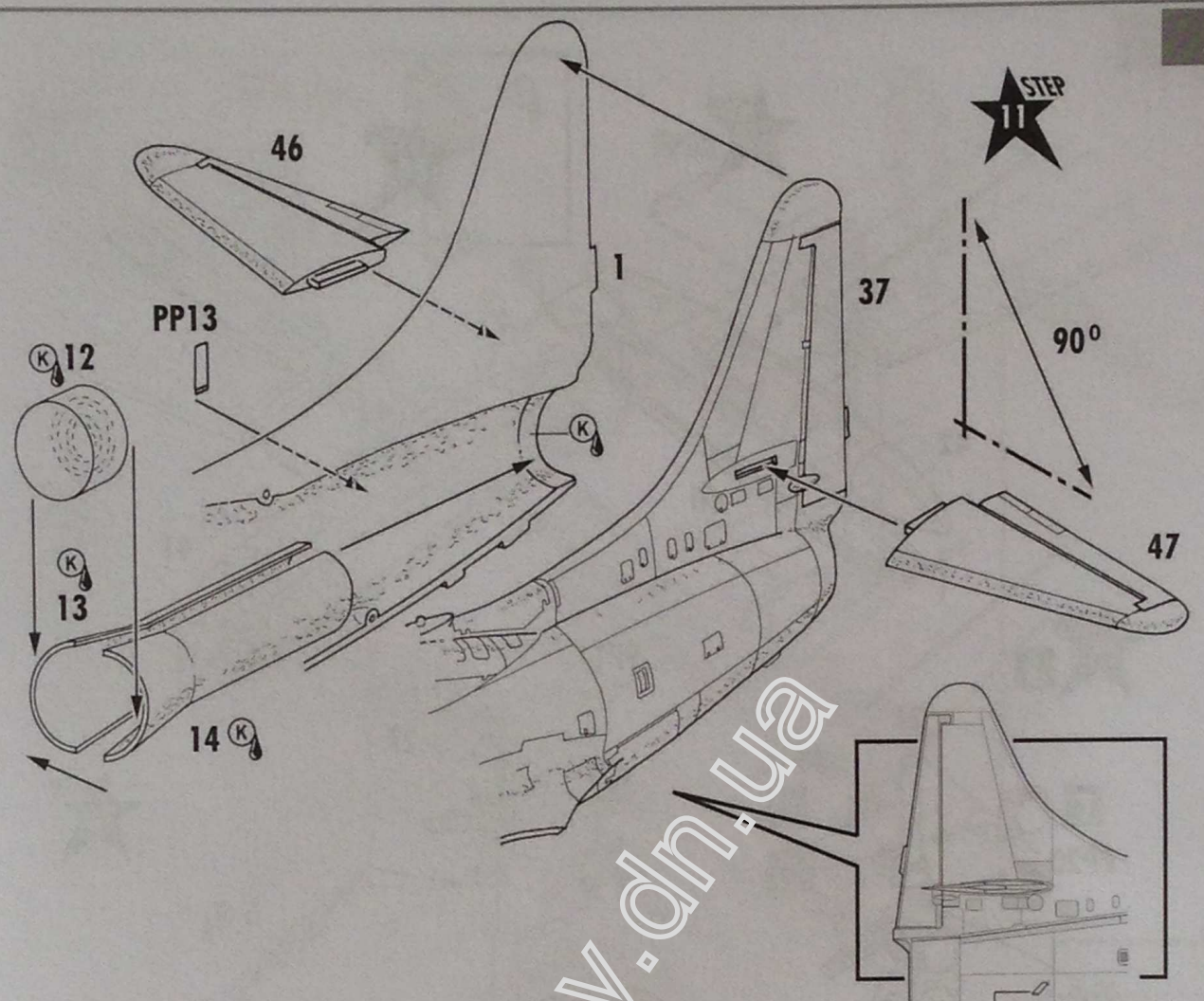
BARVA/COLOR

- A ČERNÁ/BLACK
- B INTER. SV.ŠEDÁ LIGHT GREY
- C STŘÍBRNÁ/SILVER
- D HLINÍK/ALUMINIUM
- E ČERVENÁ/RED
- F ŽLUTÁ/YELLOW
- G ZELENÁ/GREEN
- H BÍLÁ/WHITE
- I CHROM/CHROME
- J HNĚDÁ/BROWN
- K KOV/GUN METAL
- L ŠEDÁ/GREY
- M PNEU/TYRE BLACK

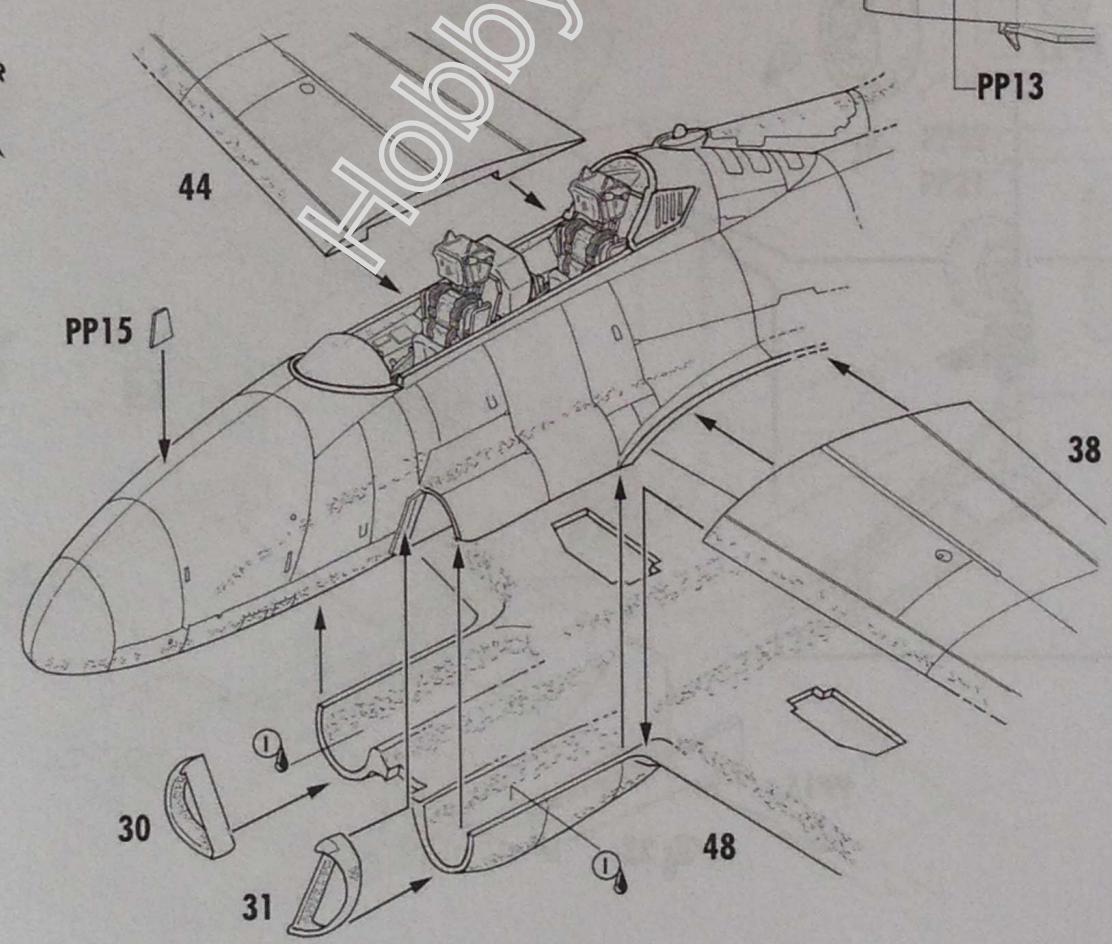


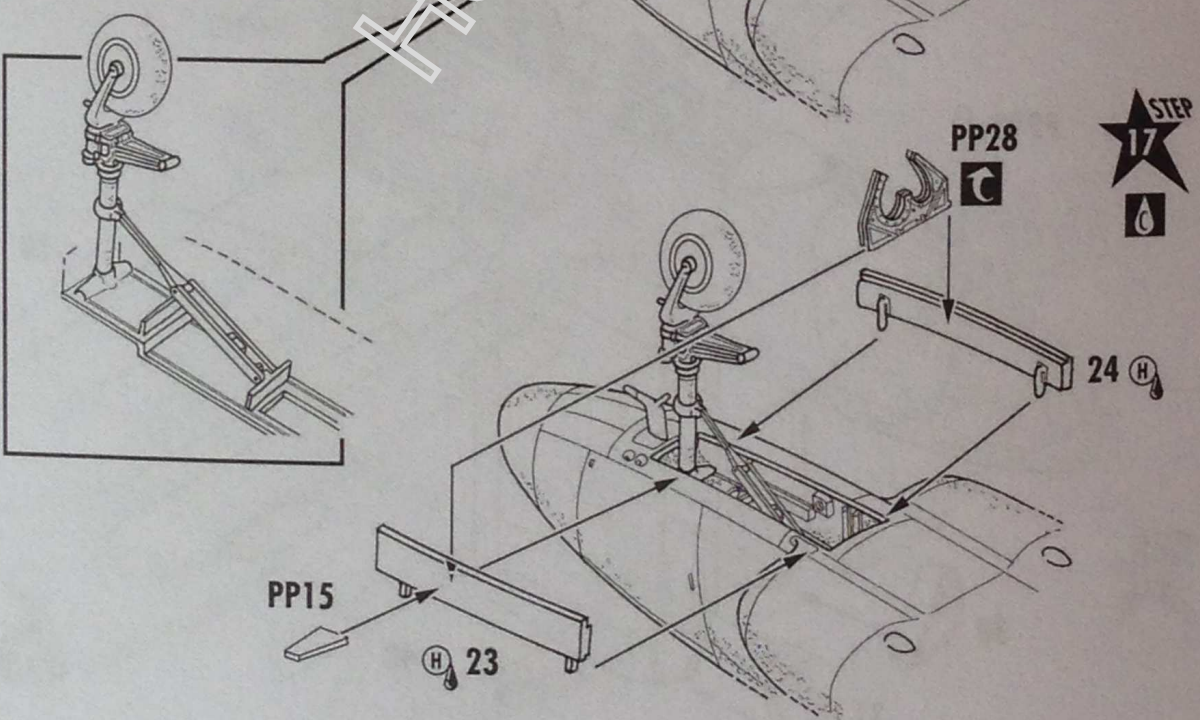
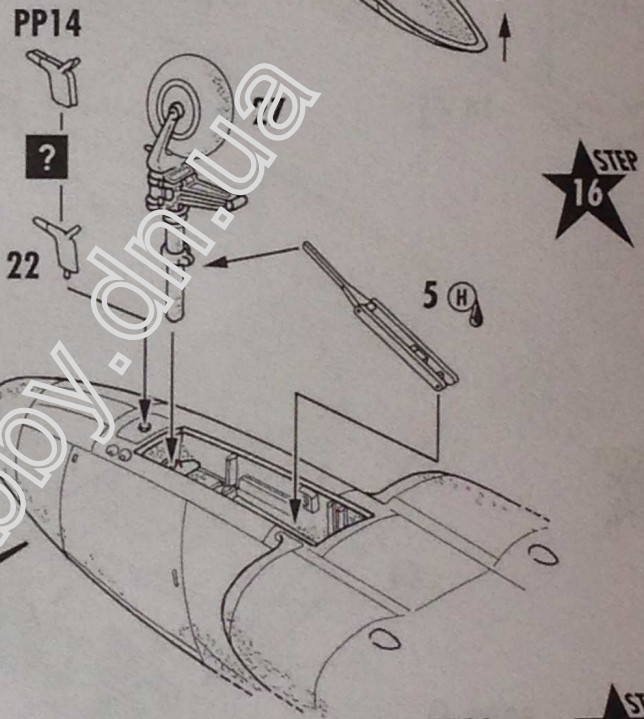
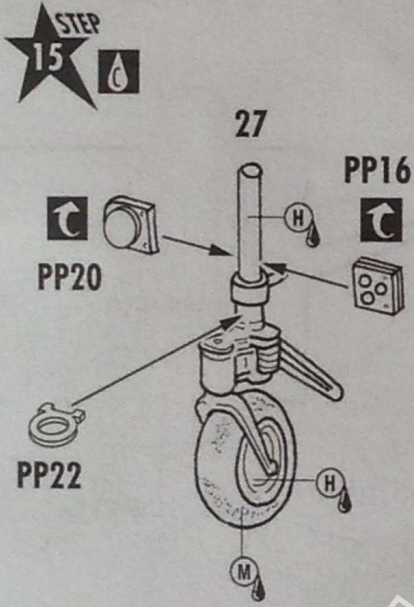
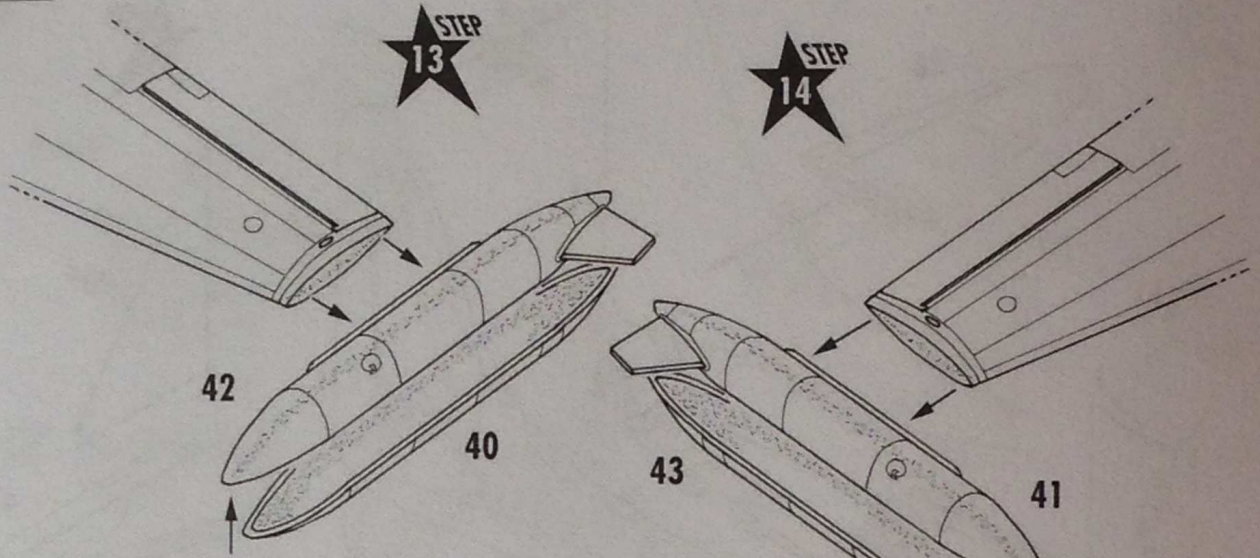


STEP 11

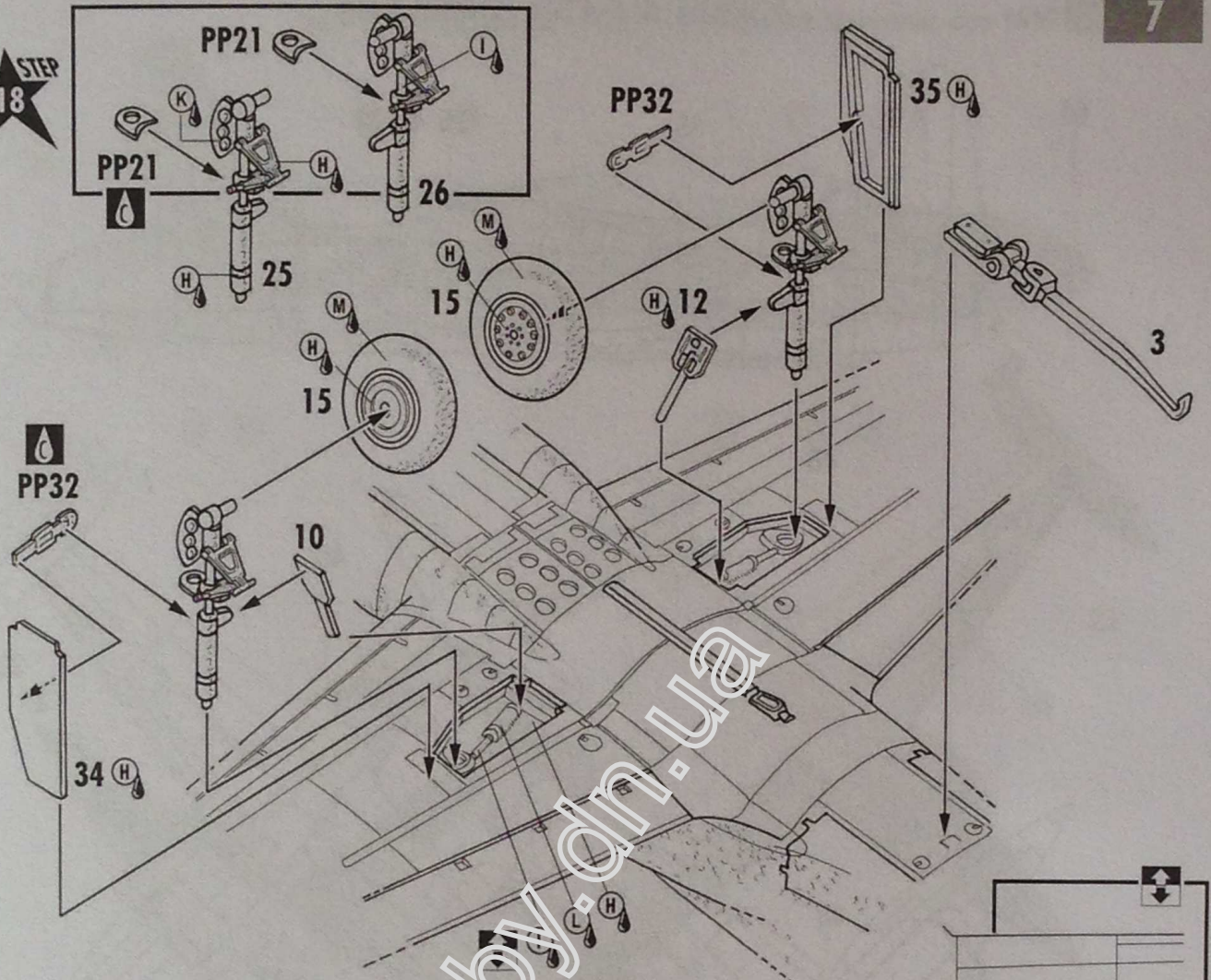


STEP 12

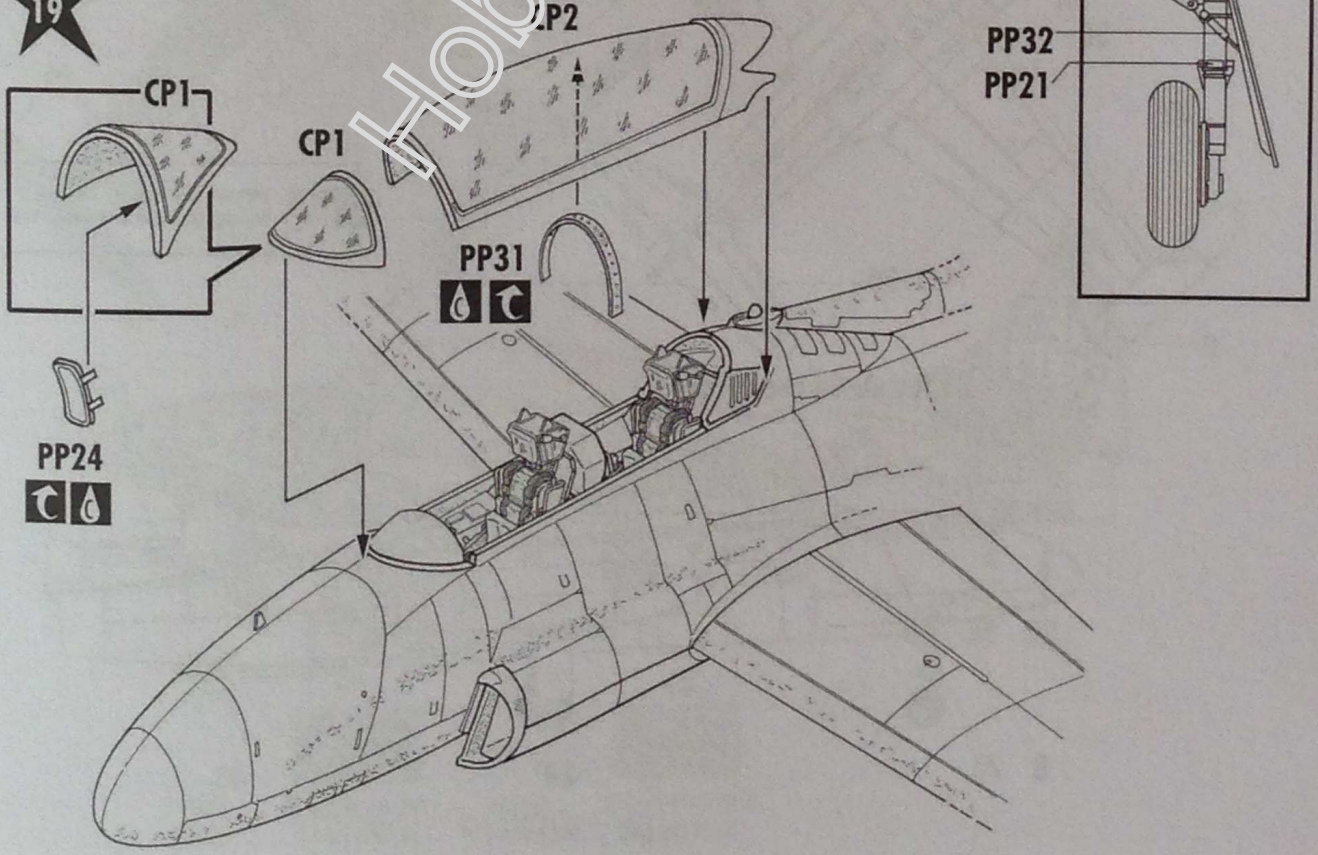


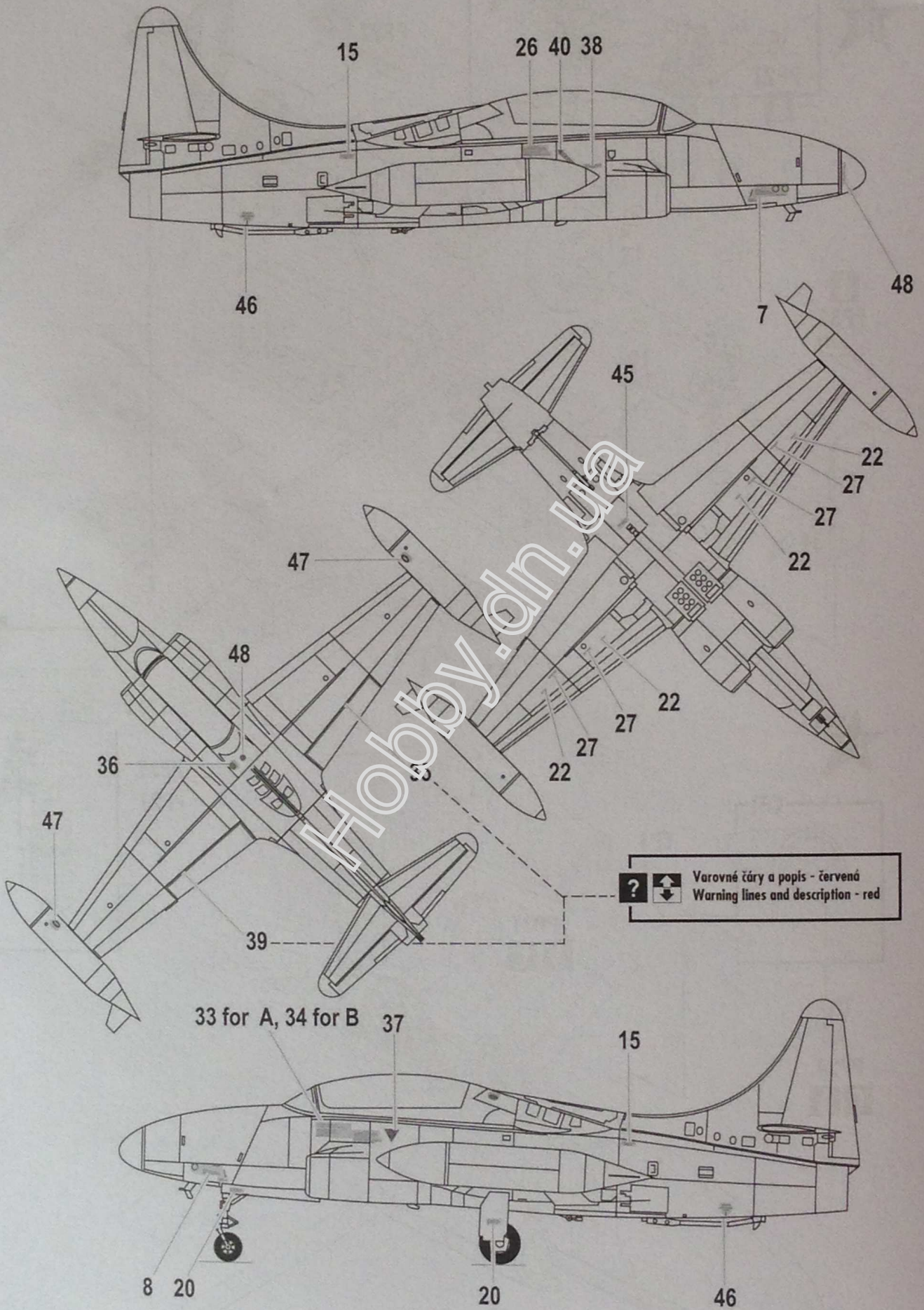


STEP 18

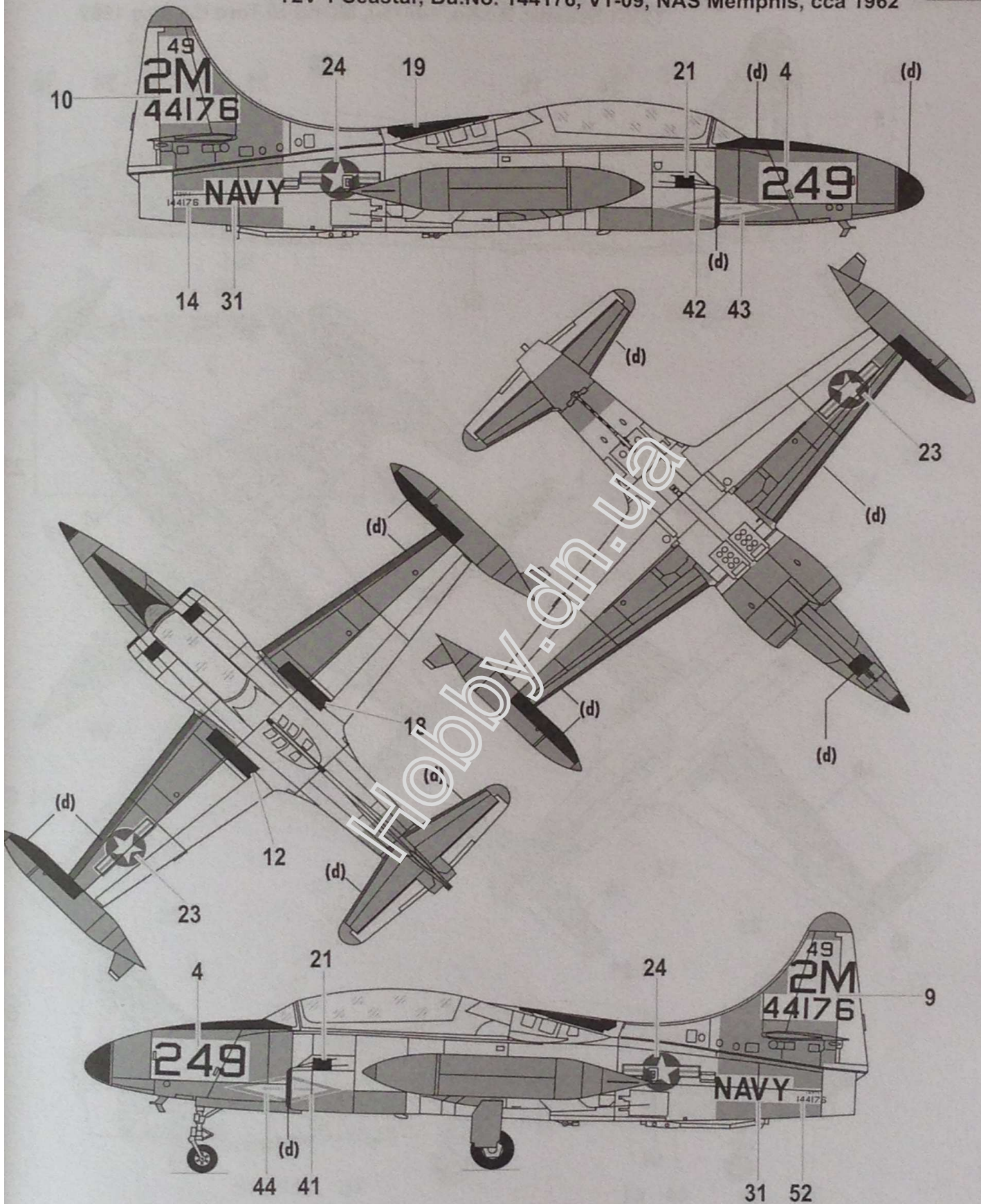


STEP 19



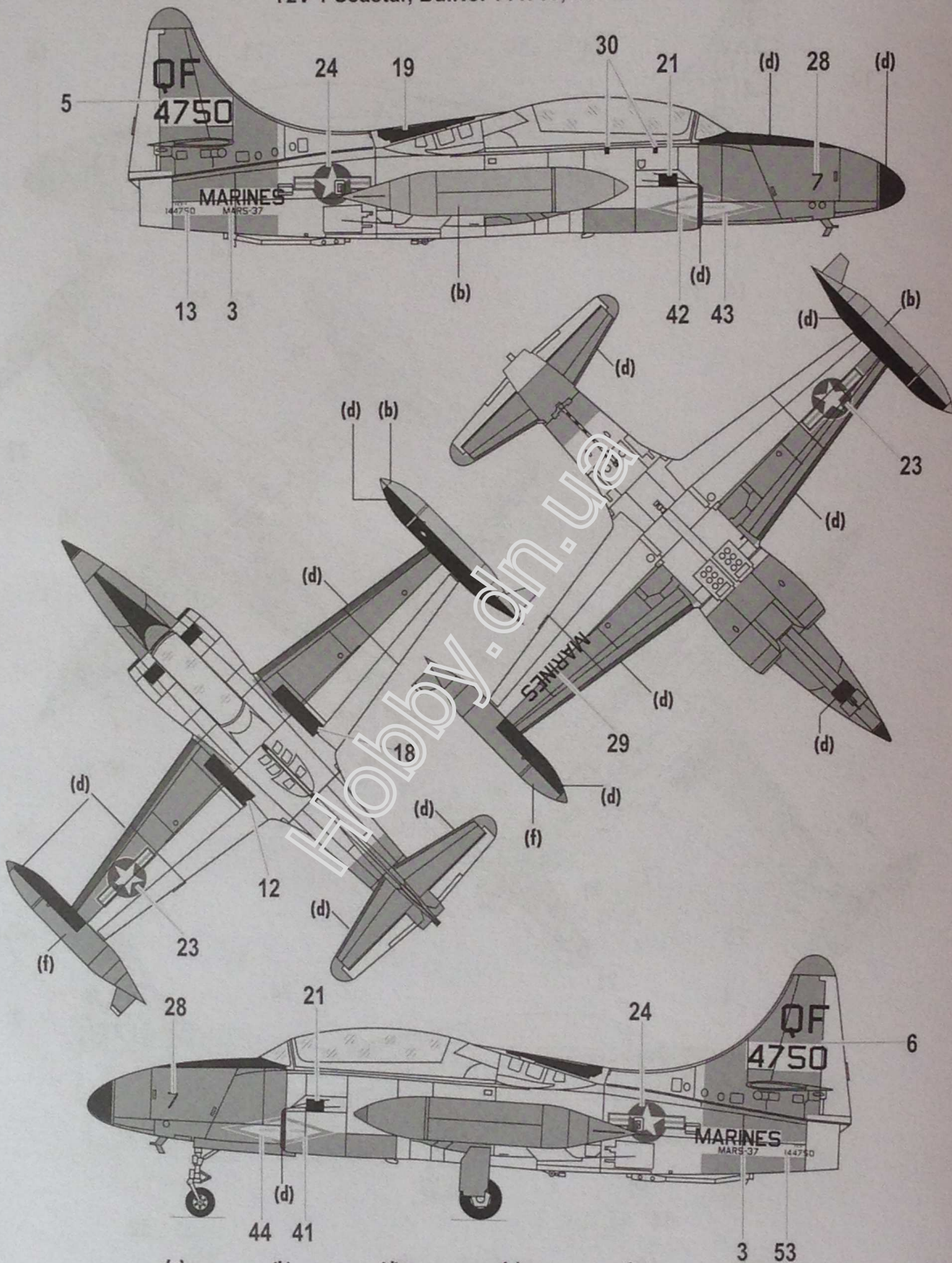






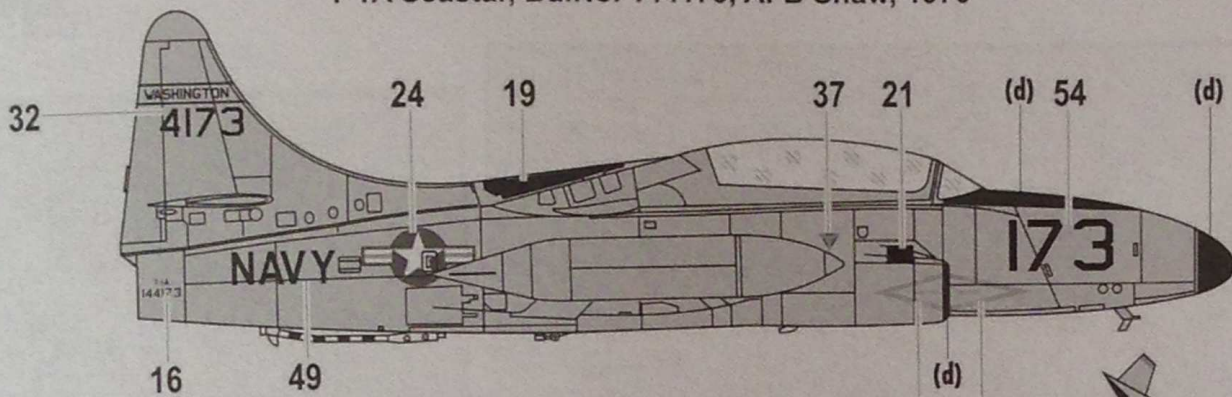
(a)	(d)	(e)	(f)
Bílá White	Matná černá Matt Black	Hliník Alluminium	Jasně červená Signal Red

T2V-1 Seastar, Bu.No. 144750, MCAS El Toro CA, cca 1962



(a)	(b)	(d)	(e)	(f)
Bílá White	Světle šedá Light Gray	Matná černá Matt Black	Hliník Alluminium	Jasně červená Signal Red

T-1A Seastar, Bu.No. 144173, AFB Shaw, 1970



Varovné čáry a popis - červená  
Warning lines and description - red



2

(c)

(a)

(c)

1

(d) (c)

25

12

(c)

54

21

24

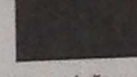
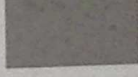
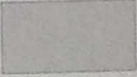
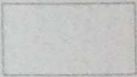
17

(a)

(b)

(c)

(d)

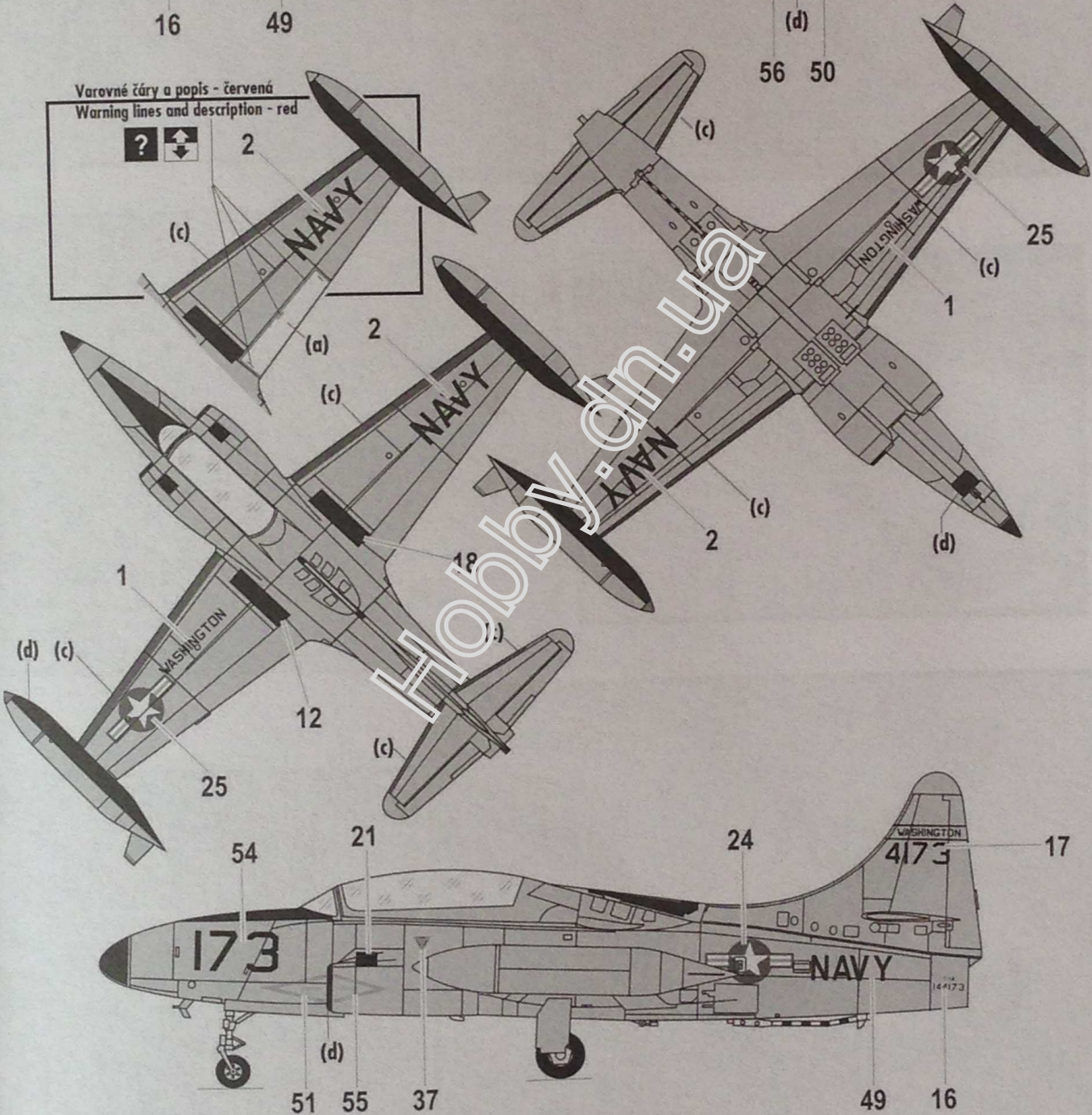


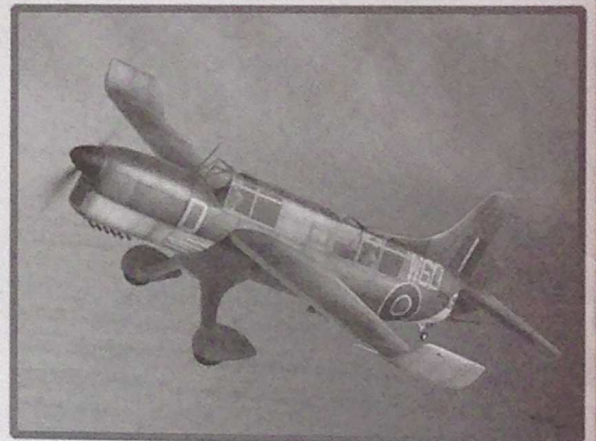
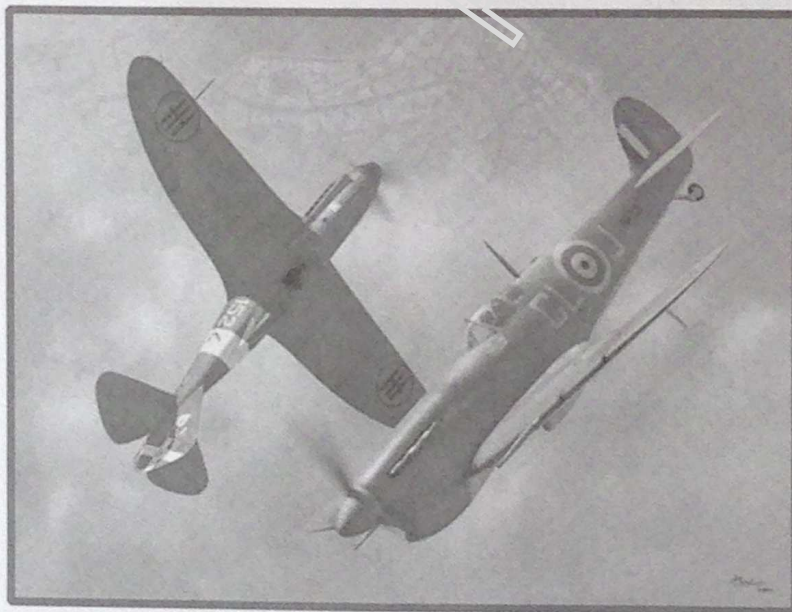
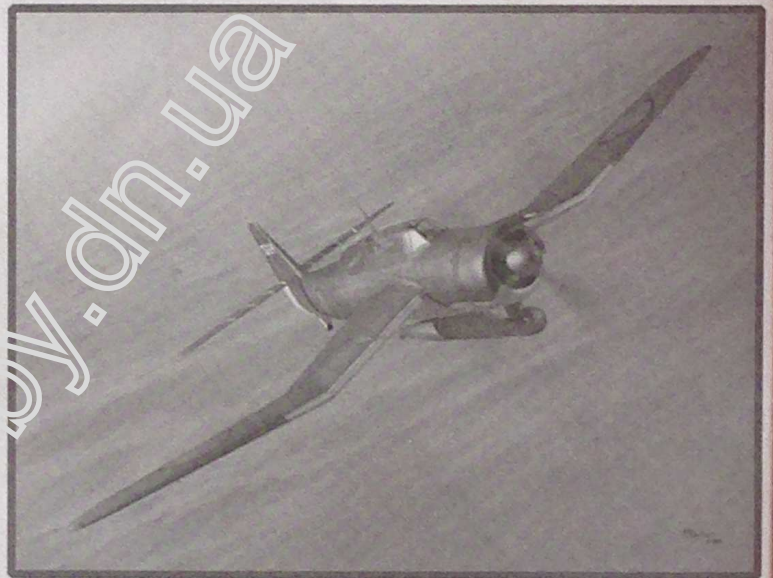
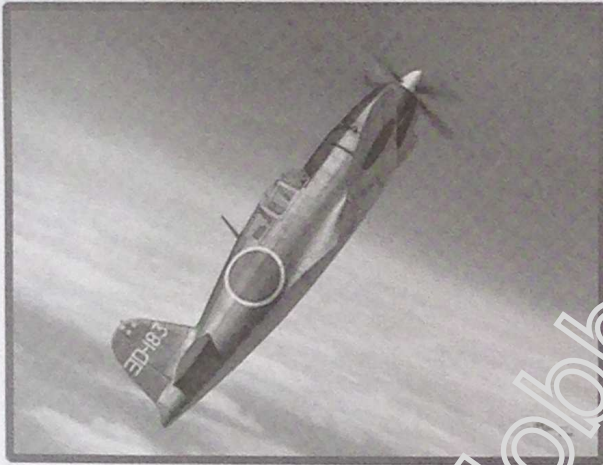
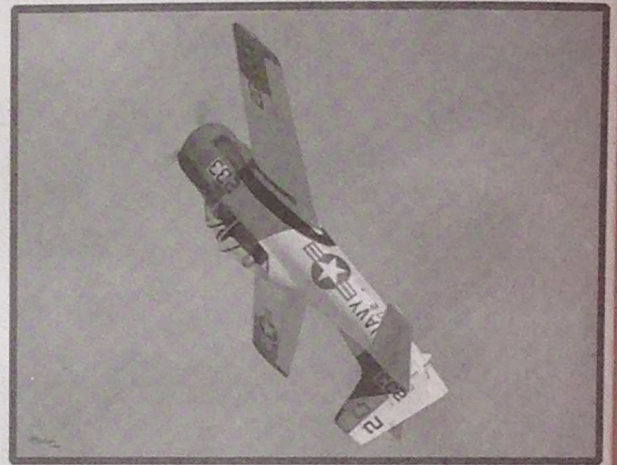
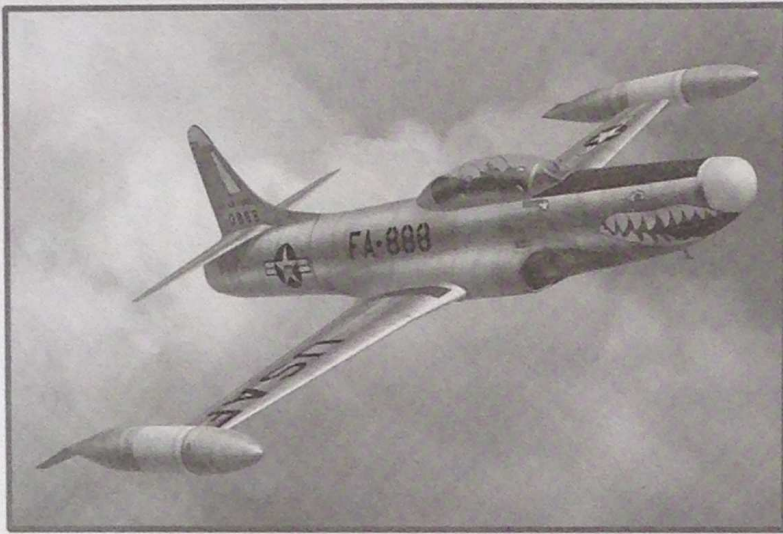
Bílá  
White

Světle šedá  
Light Gray

Tmavá šedá  
Dark Gray

Matná černá  
Matt Black





VISION SWORD s.r.o. Těšínská 288  
739 34 ŠENOV  
CZECH REPUBLIC

www.swordmodels.cz e-mail: swordmodels@gmail.com