



1/72 Scale SW 72115



With radar systems advancing quickly during WWII, the idea of airborne radar was raised, altitude giving the radar a greater range as opposed to surface based radar with a closer horizon.

A program called Cadillac in 1944 saw a TBM-3 Avenger, designated TBM-3W, fitted with an AN/APS-20 search radar housed in a large and bulbous belly radome (hence the nickname 'Guppy') between the main gear struts. The rear canopy was faired over, providing a compartment for two radar operators, and small fins fitted to the tail-planes to overcome unwanted yaw caused by the radome. The guns were removed. First tested in 1944, 40 conversions were authorised. It did not enter service until 1946; the first AEW aircraft. A TBM-3Q looking similar, carried jamming equipment rather than radar.

The TBM-3W was overtaken by other platforms, however, with the advent of the Cold War, a modified version, the TBM-3W2 was put into operation, but with the radar optimised for submarine detection, and had updated avionics. Approximately 160 aircraft were converted, first delivered to the U.S. Navy in 1950, and provided to Canada, France, Japan, and the Netherlands. The TBM-3W2 was the 'hunter', teamed with the TBM-3S and TBM-3S2 'sub-killers'. The Japanese Maritime Self-Defence Force had the last serving TBM-3W2 aircraft, only being retired in 1962.

Avenger TBM-3W2 "Guppy"

VISION SWORD s.r.o.

Těšínská 288
739 34 Šenov
CZECH REPUBLIC

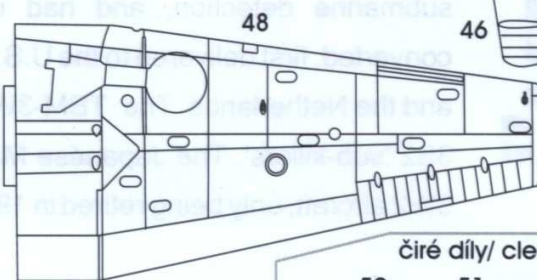
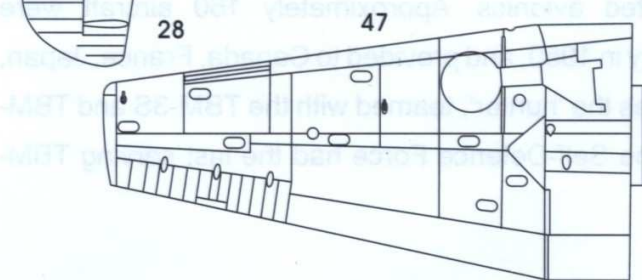
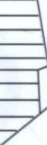
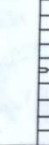
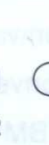
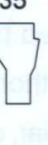
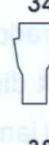
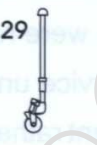
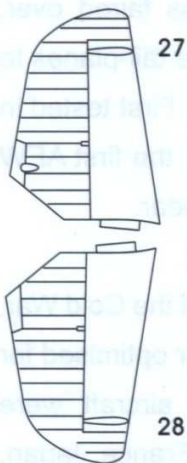
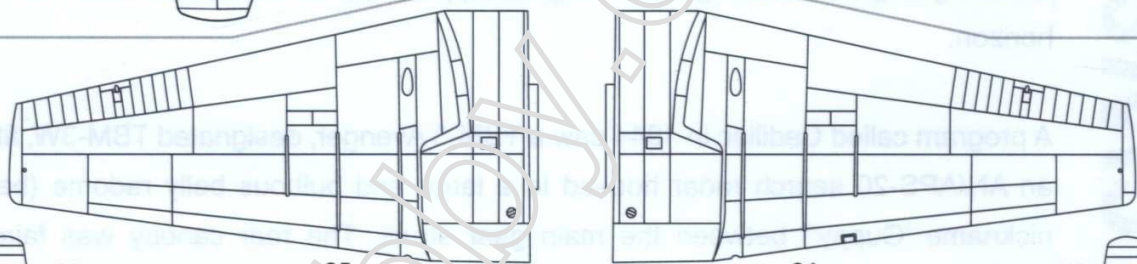
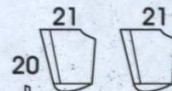
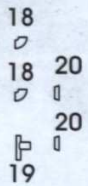
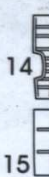
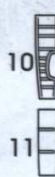
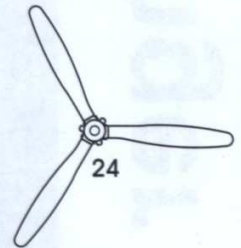
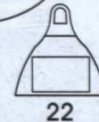
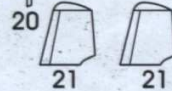
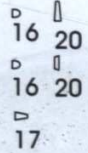
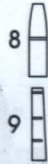
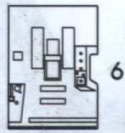
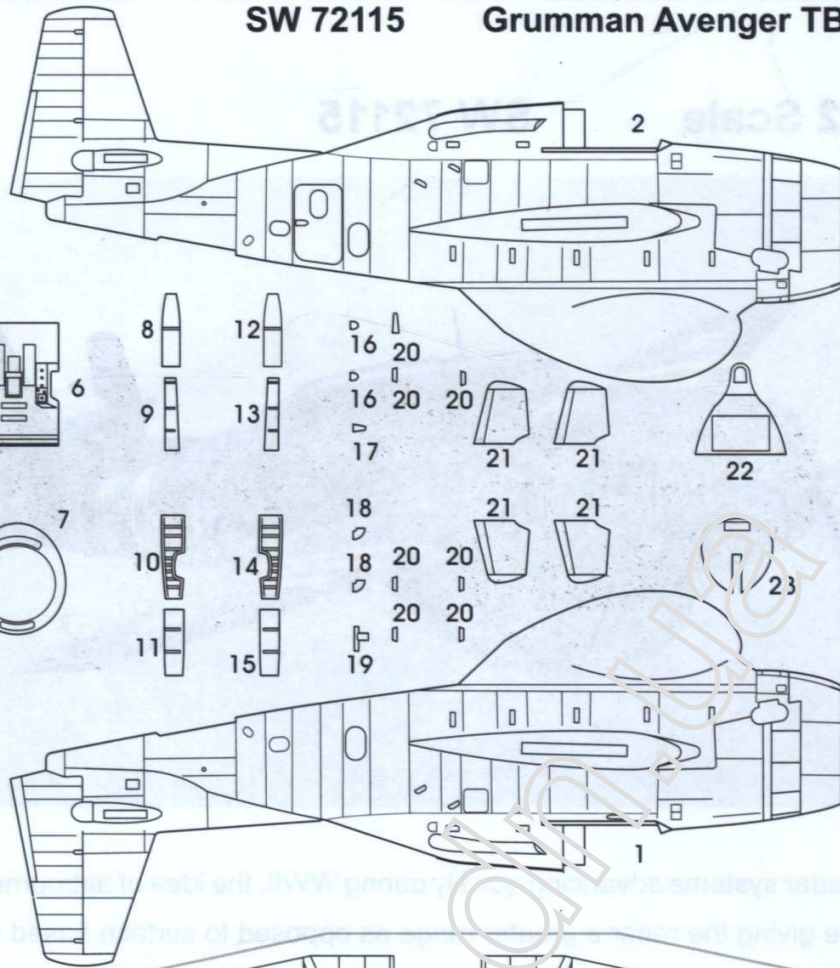
www.swordmodels.cz

email: swordmodels@gmail.com



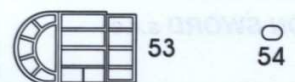
SW 72115

Grumman Avenger TBM-3W2 "Guppy"



čiré díly/ clear parts

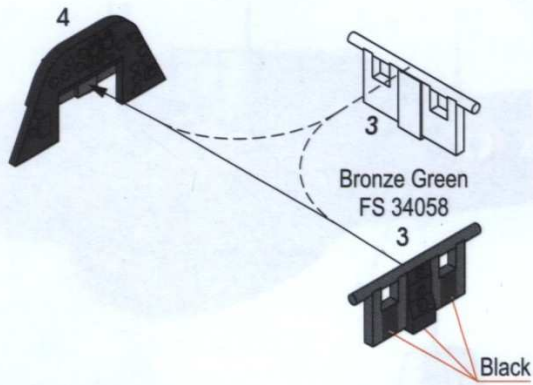
50 51 52 51



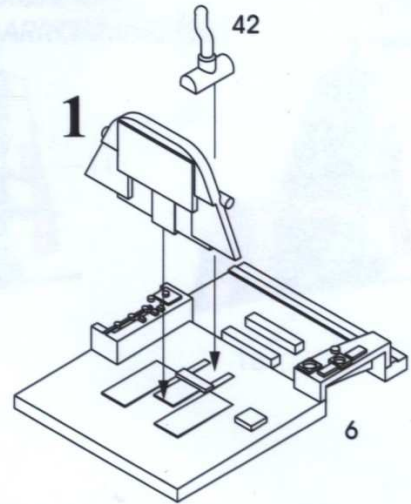
2

SW 72115

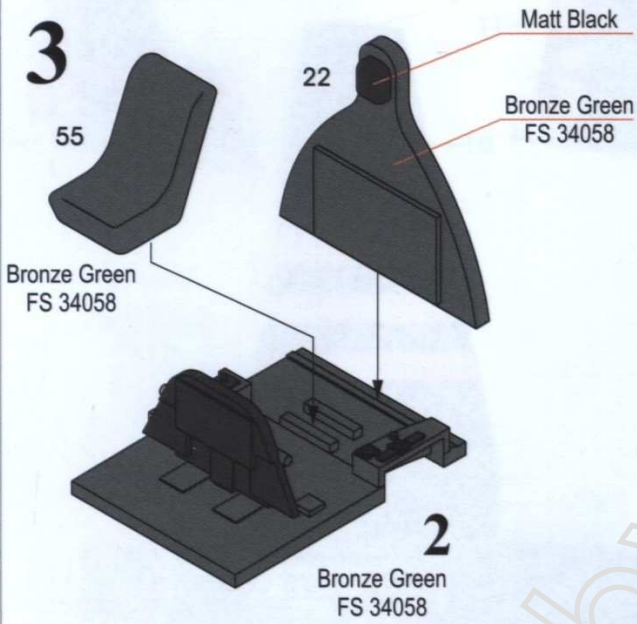
1



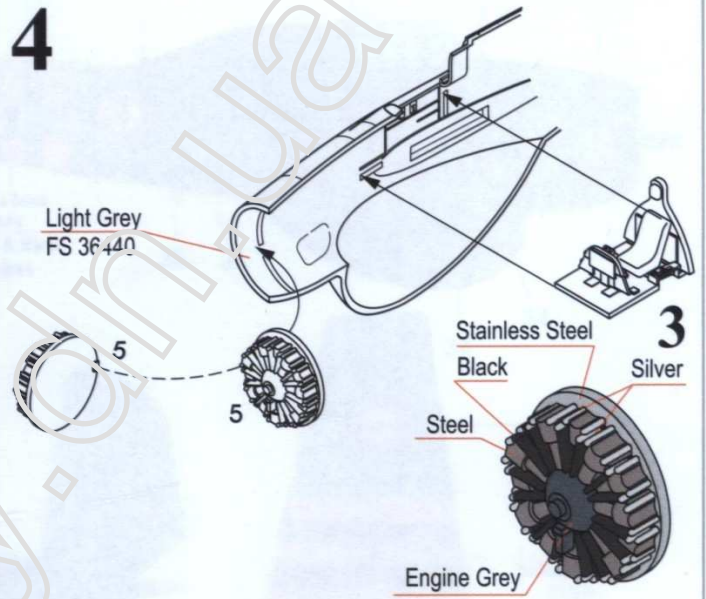
2



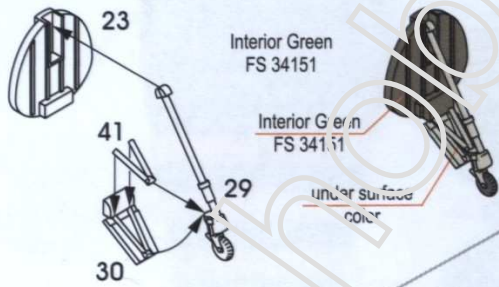
3



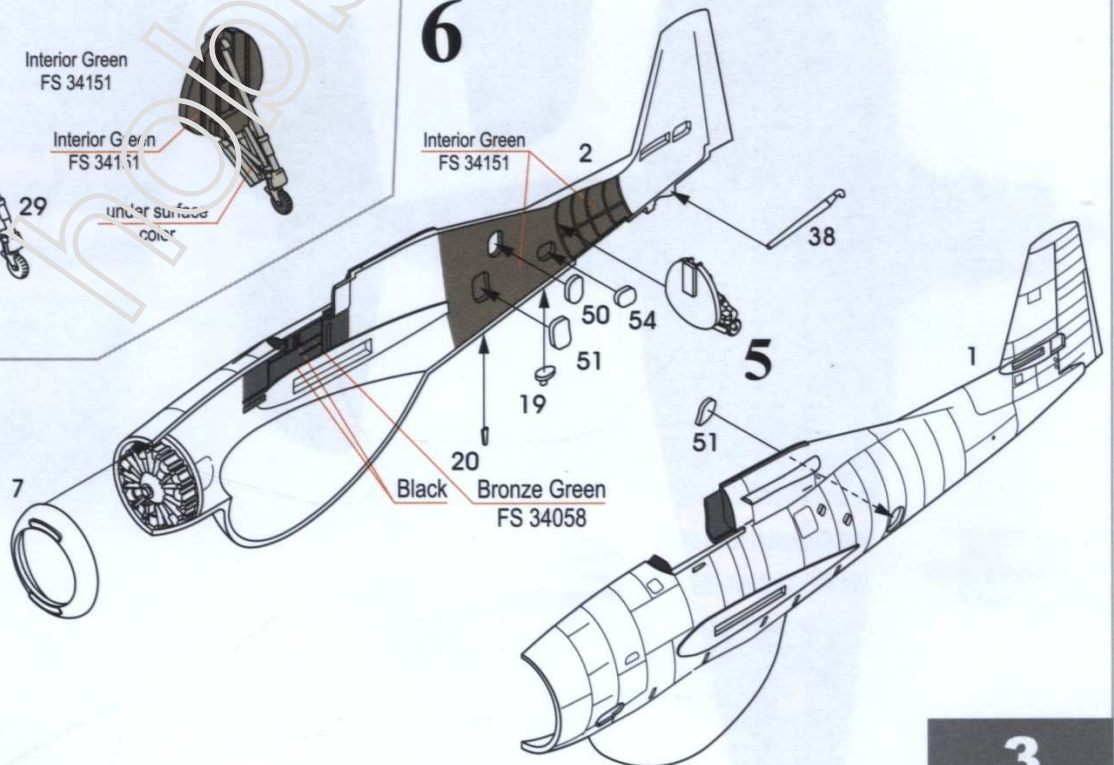
4



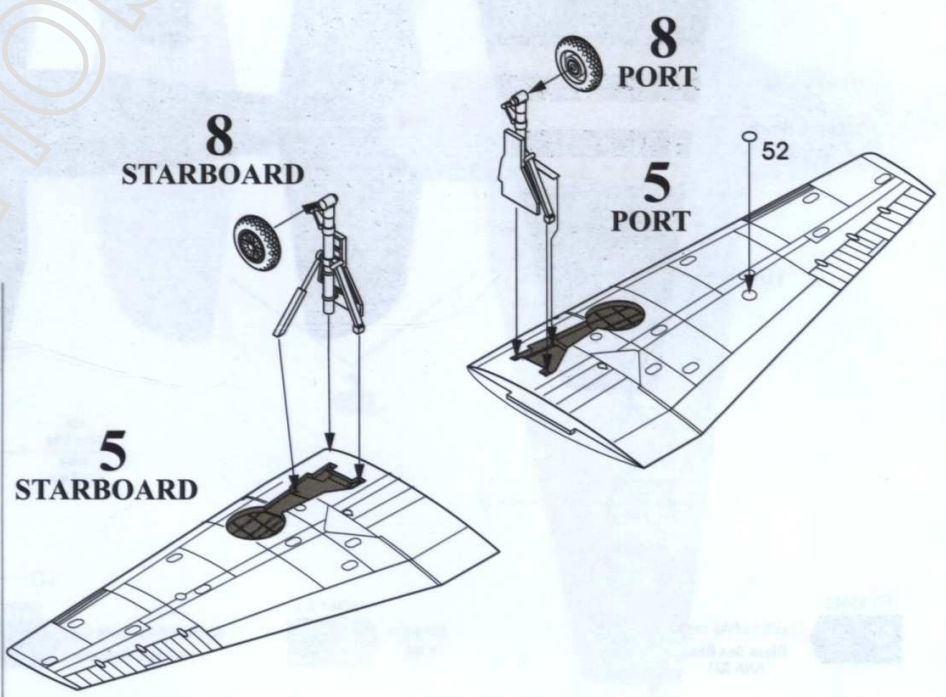
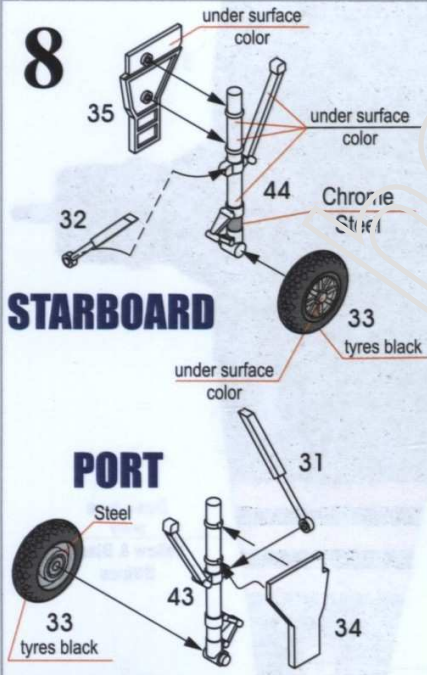
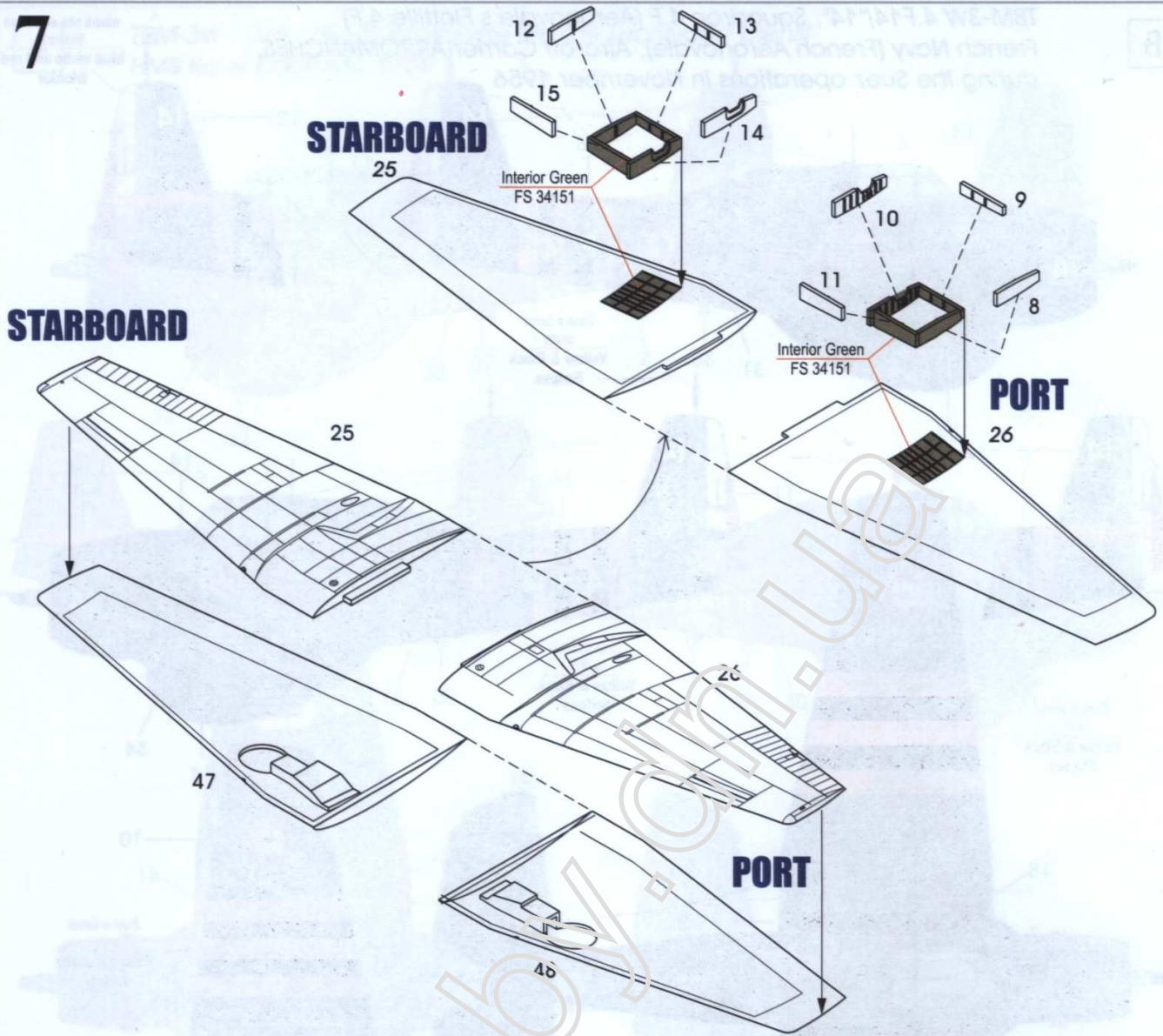
5



6



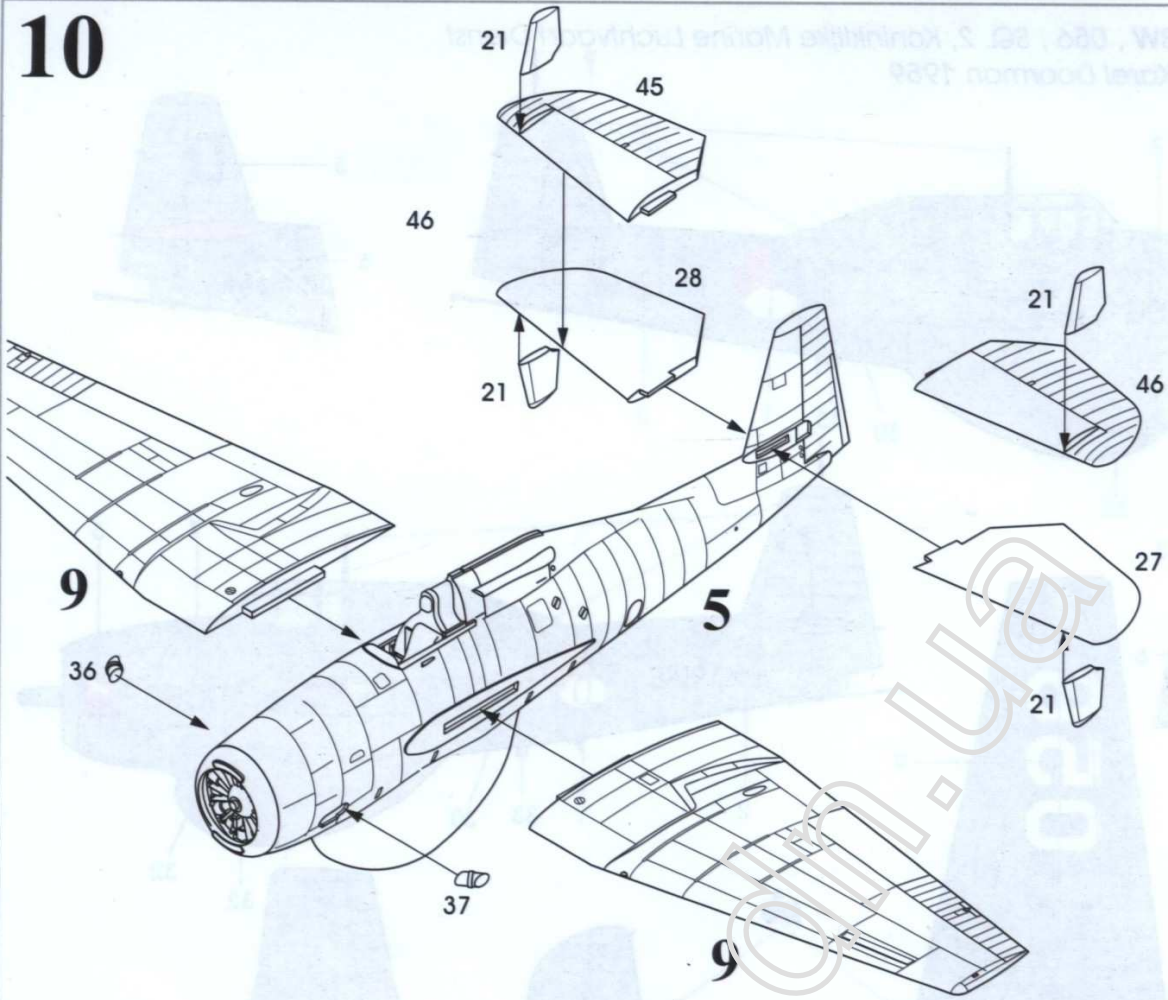
7



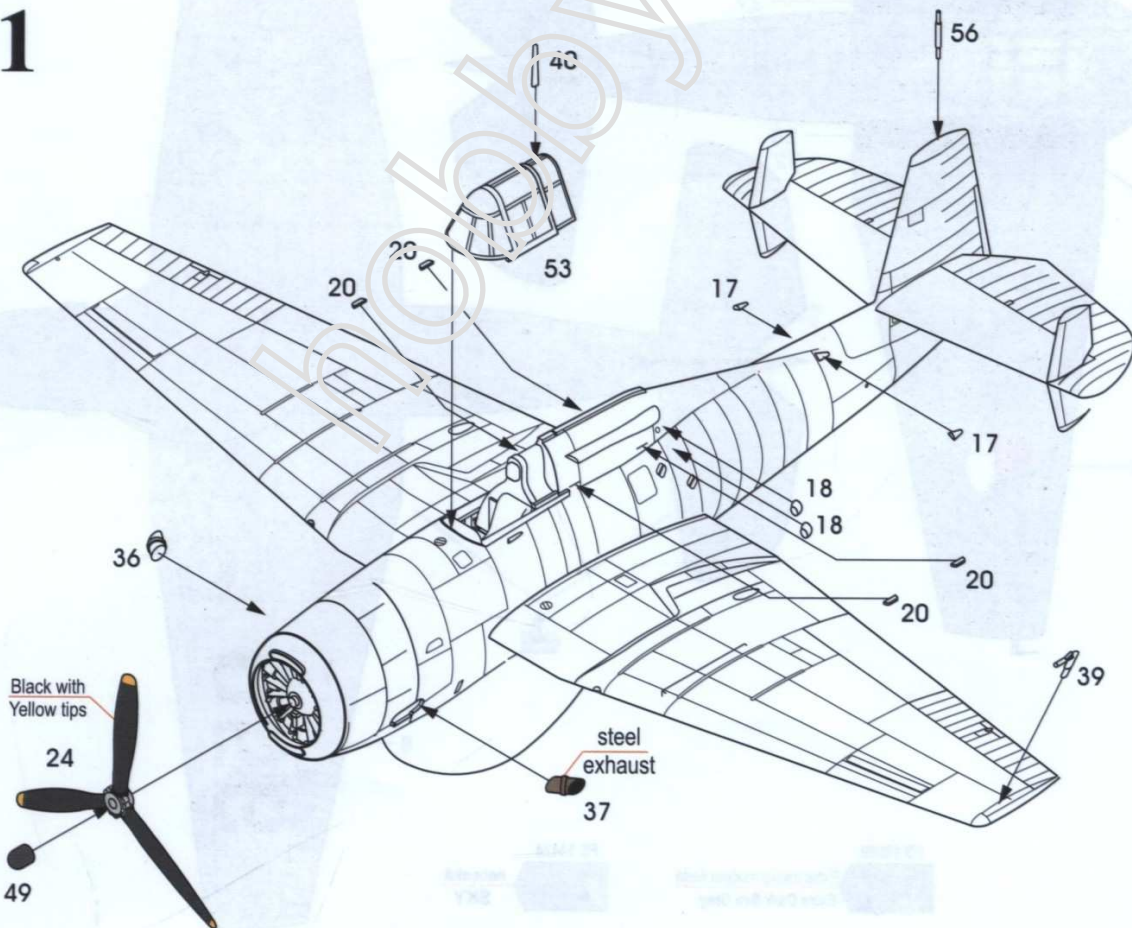
4

SIW7214

10

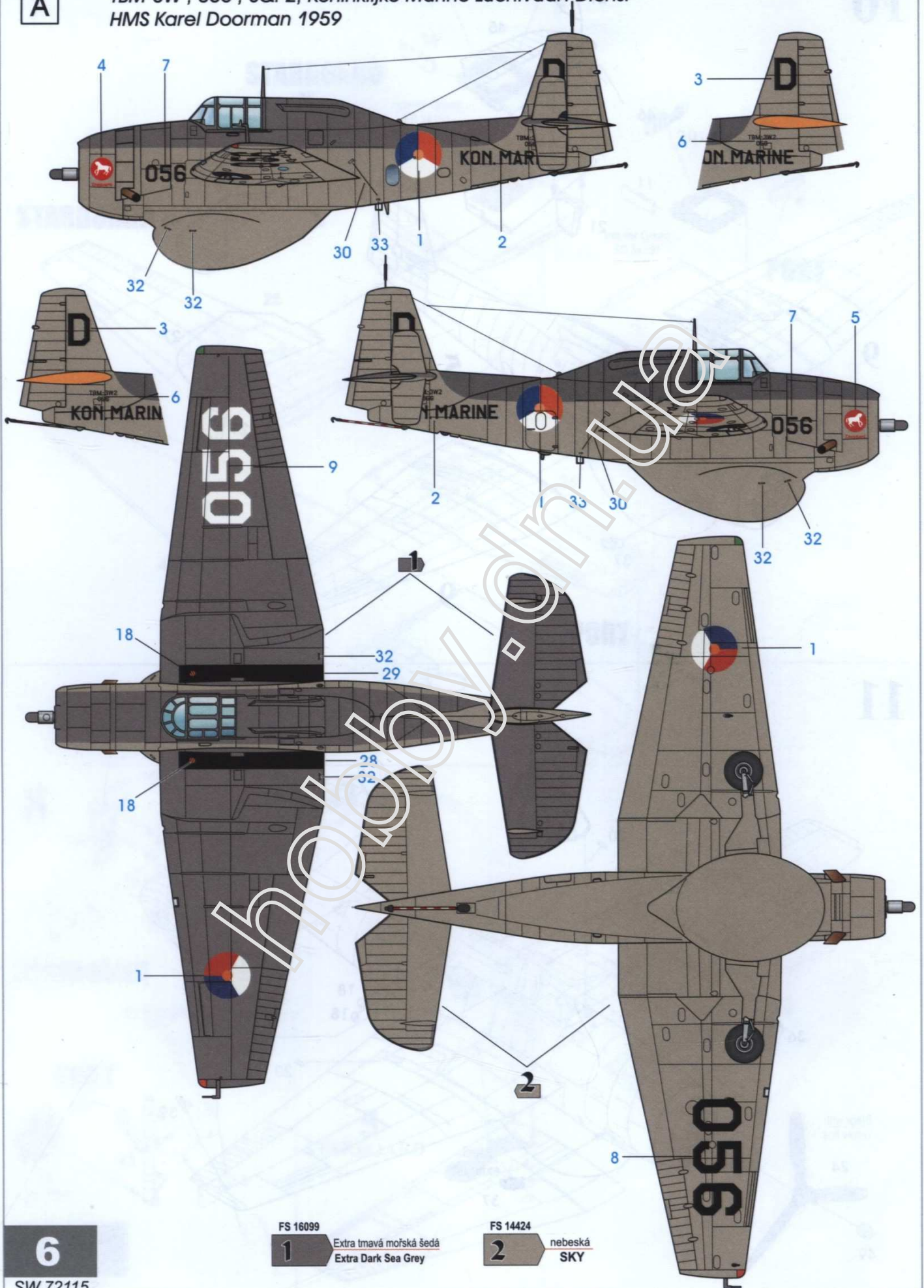


11



A

TBM-3W , 056 , SQ. 2, Koninklijke Marine Luchtvaart Dienst
HMS Karel Doorman 1959



6
SW 72115

FS 16099
1 Extra tmavá mořská šedá
Extra Dark Sea Grey

FS 14424
2 nebeská
SKY

B

TBM-3W 4.F14/14", Squadron 4.F (Aéronavale s Flottille 4.F)
French Navy (French Aéronavale), Aircraft Carrier ARROMANCHES,
during the Suez operations in November 1956

modrá bílá a červená
tricolora
blue white and red
tricolor



FS 15042

3

Lesklá mořská modrá
Gloss Sea Blue
ANA 623

7

SW 72115