

SW 72135

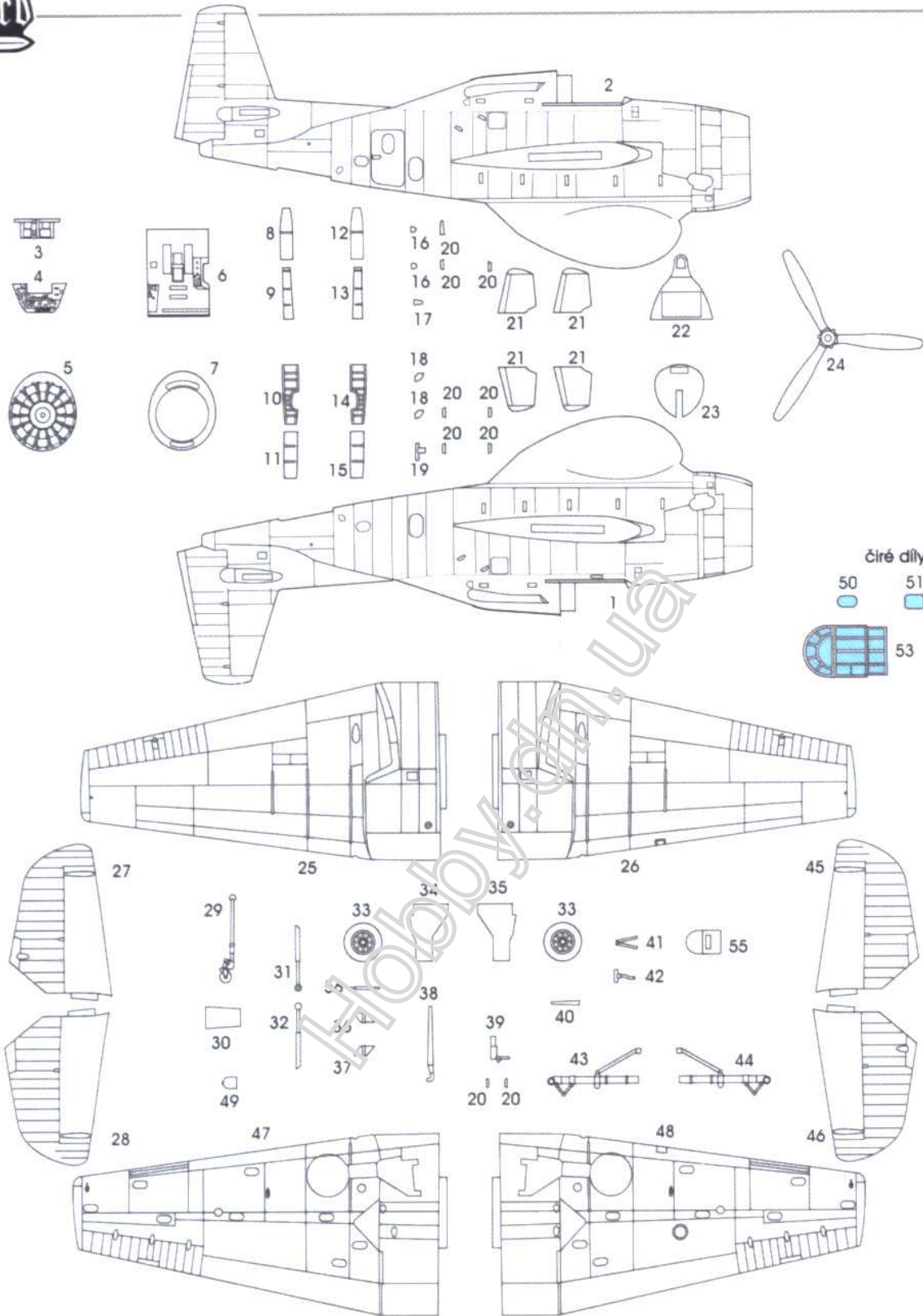
scale 1/72 

# TBM-3W

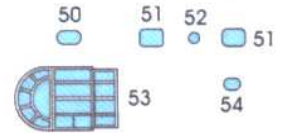


The original Avenger was developed for the U.S. Navy and U.S. Marine corp. as a torpedo bomber, and entered service in 1942. Over time the aircraft was further developed to carry airborne radar in anti-shipping and anti-submarine roles. The TBM-3S was an anti-submarine version produced post WWII at the onset of the Cold War. The TBM-3S usually flew with a TBM-3W as a 'Hunter / Killer' team. The 3S was a converted 3E, with the turret removed, and had a larger rear compartment housing a radar operator / navigator. The radio compartment was retained with its operator, but two sonobuoy launch tubes were installed at the rear. A search light was mounted under the port wing and an AN/APS-4 radar pod under the starboard wing. The Royal Navy / Fleet Air Arm aircraft were designated AS-4 and their air-to-surface radar was mounted in a 'dustbin' type radome under the fuselage. The TBM-3S and similar TBM-3S2 could carry rockets with zero-length launch mounts under each wing. A single acoustic torpedo or 4 bombs / depth-charges could be carried in the bomb-bay. The aircraft had an antenna / receiver for the radar data-link from a TBM-3W. The TBM-3S was used by several countries including Canada, France, Japan, and the Dutch. Details such as canopies and other components varied between countries.

The TBM-R was a converted TBM-3W or TBM-3S. Combat gear was removed and the rear canopy either glazed or covered over. It was developed during the Korean War as a COD (carrier onboard delivery) and had seating for 7 passengers in the rear compartment. It could also carry stretchers in the bomb-bay, or a cargo basket which could quickly be exchanged on the ground or on deck.



čiré díly/ clear parts



REMOVE



BEND


 OPEN  
HOLE

 SCRATCH  
BUILD


COLOR


 SYMMETRICAL  
ASSEMBLY

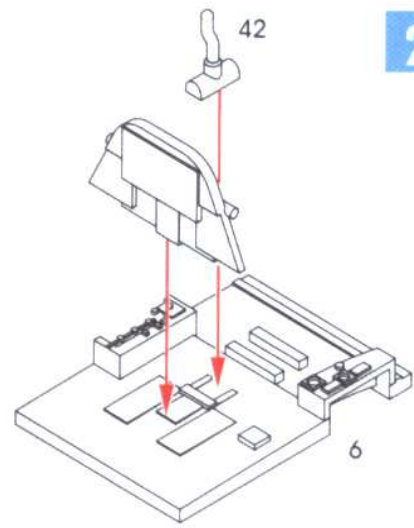
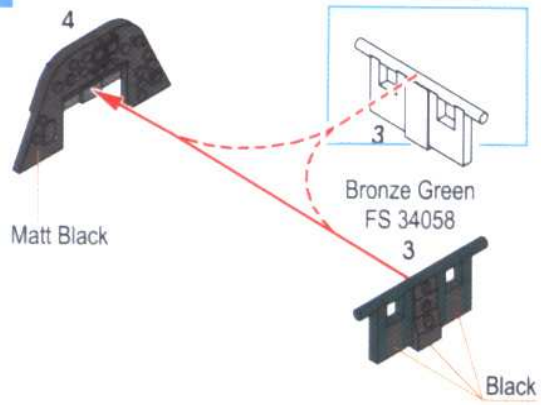

OPTION


 SECOND  
GLUE

3

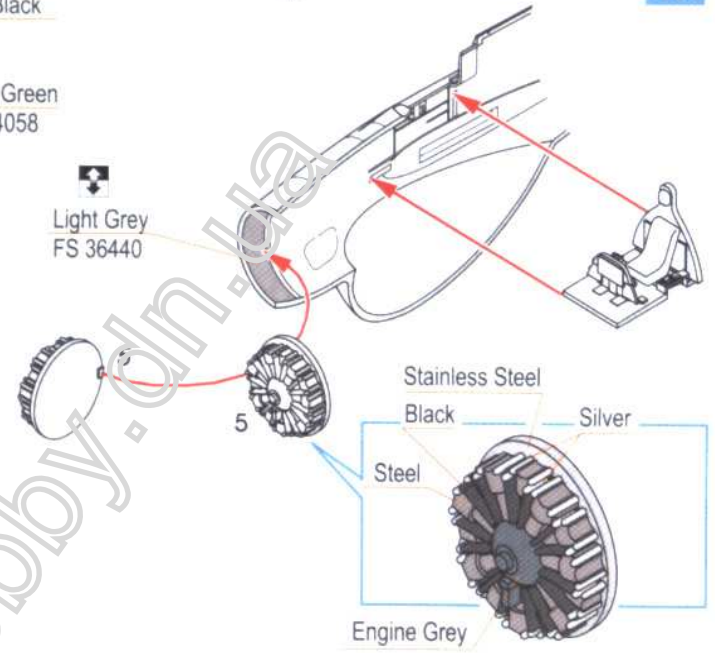
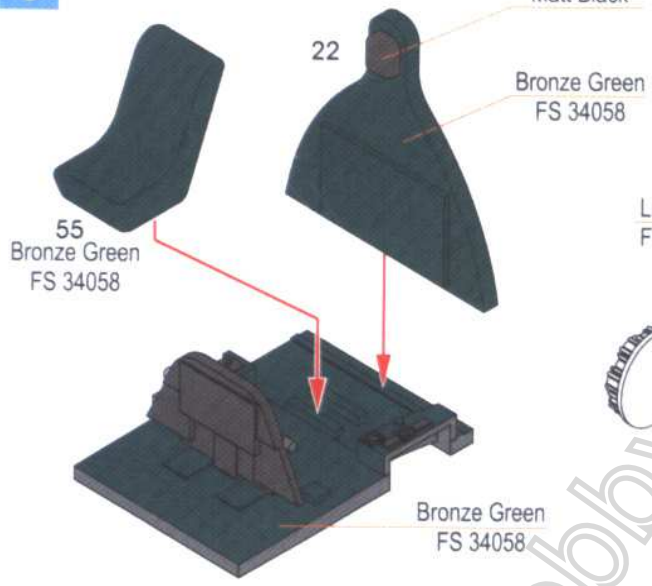
2

1



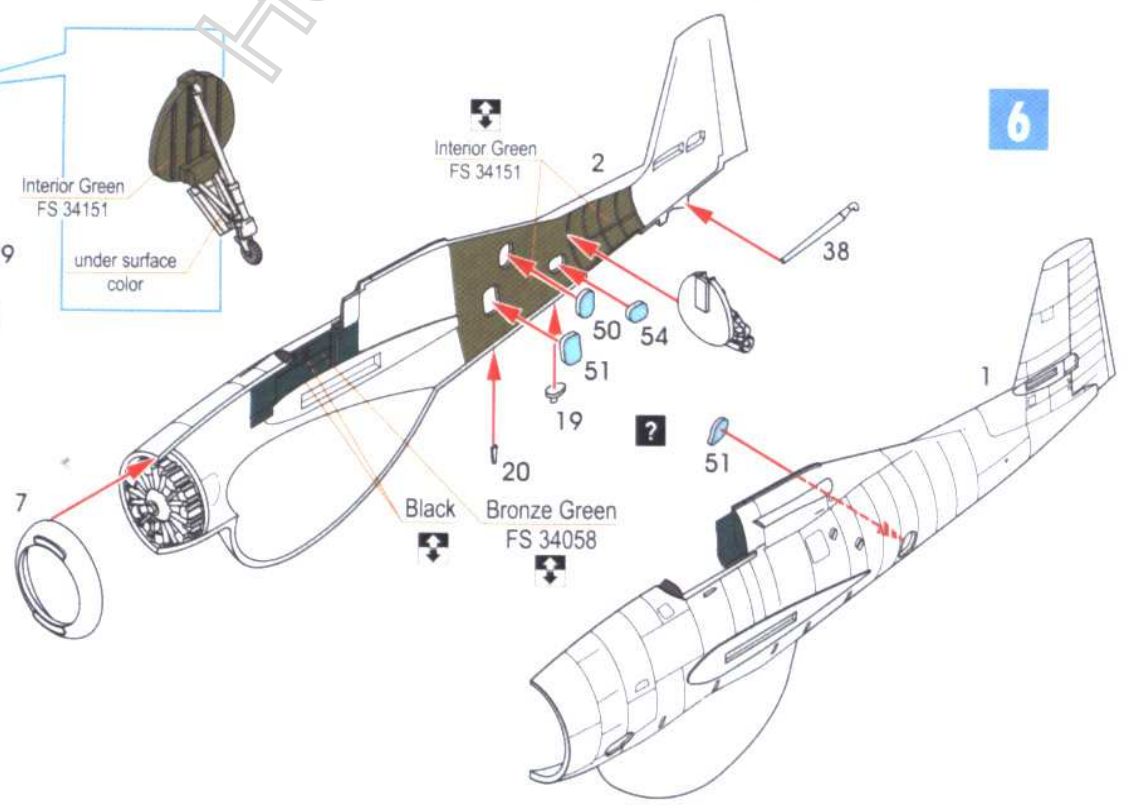
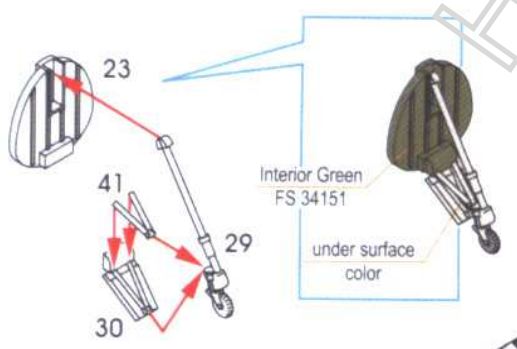
4

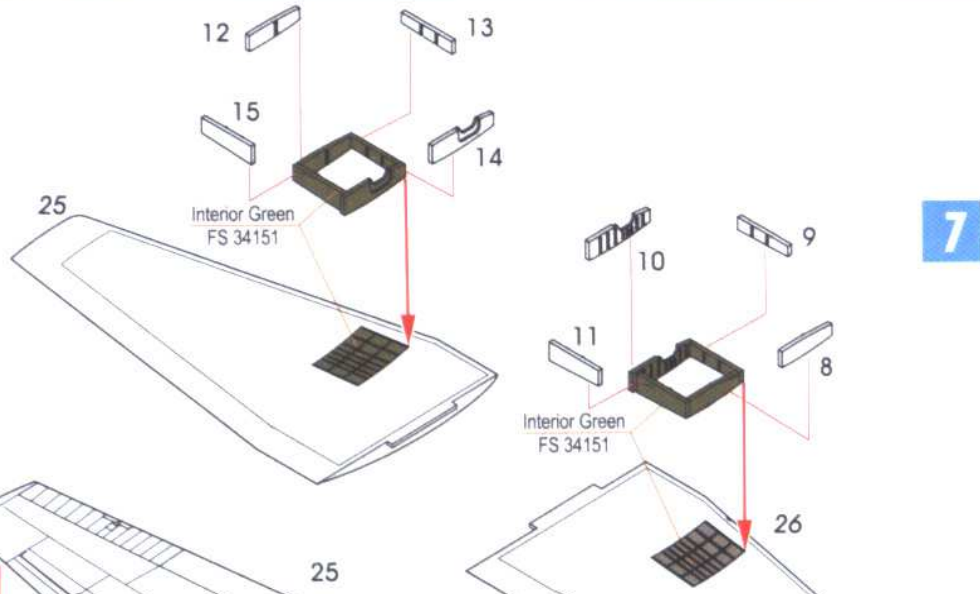
3



6

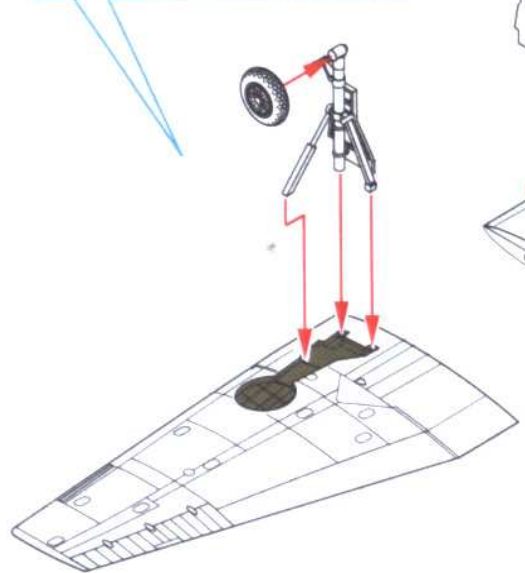
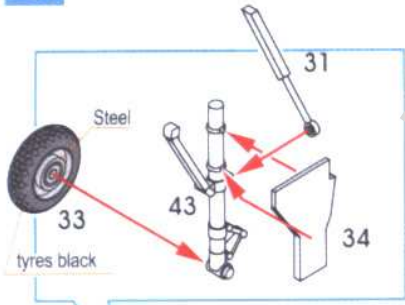
5



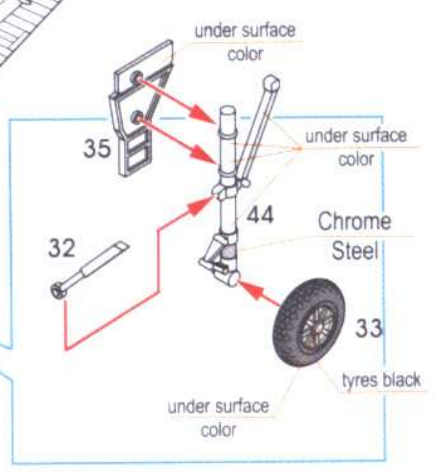


8

9

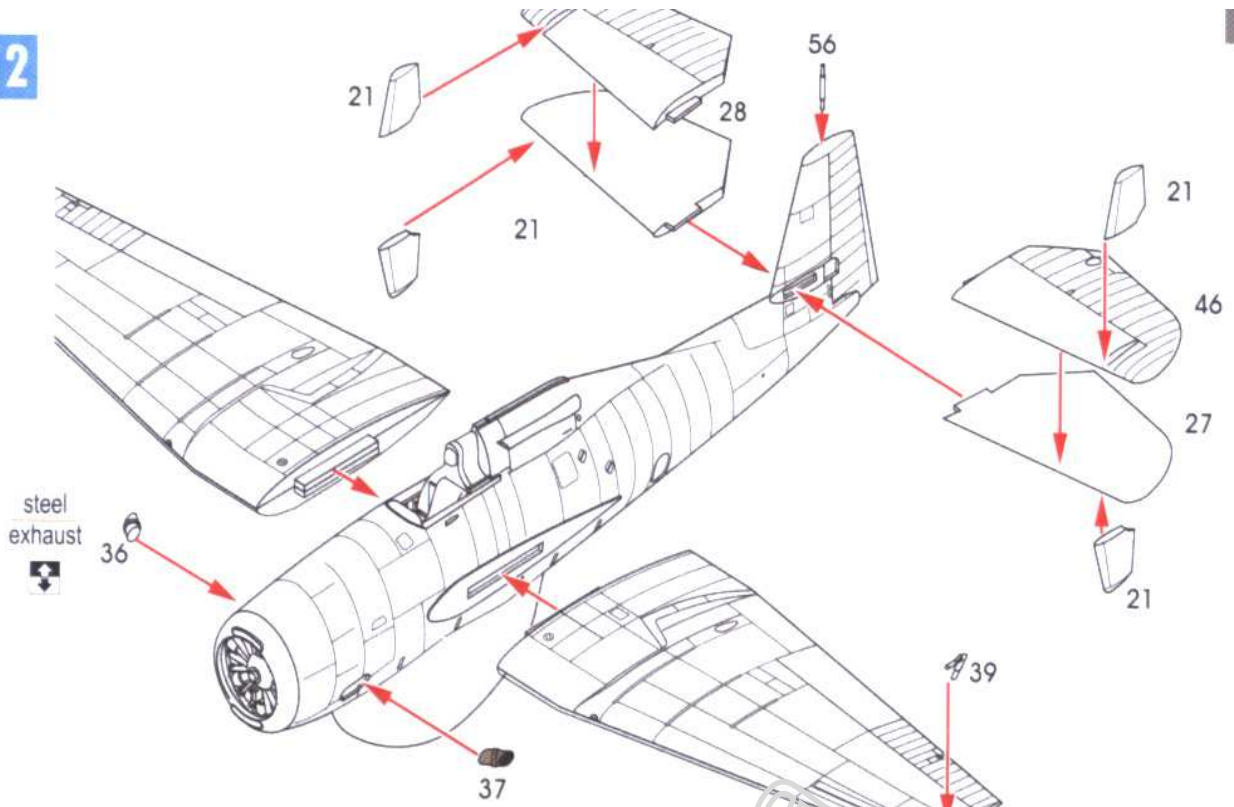


10

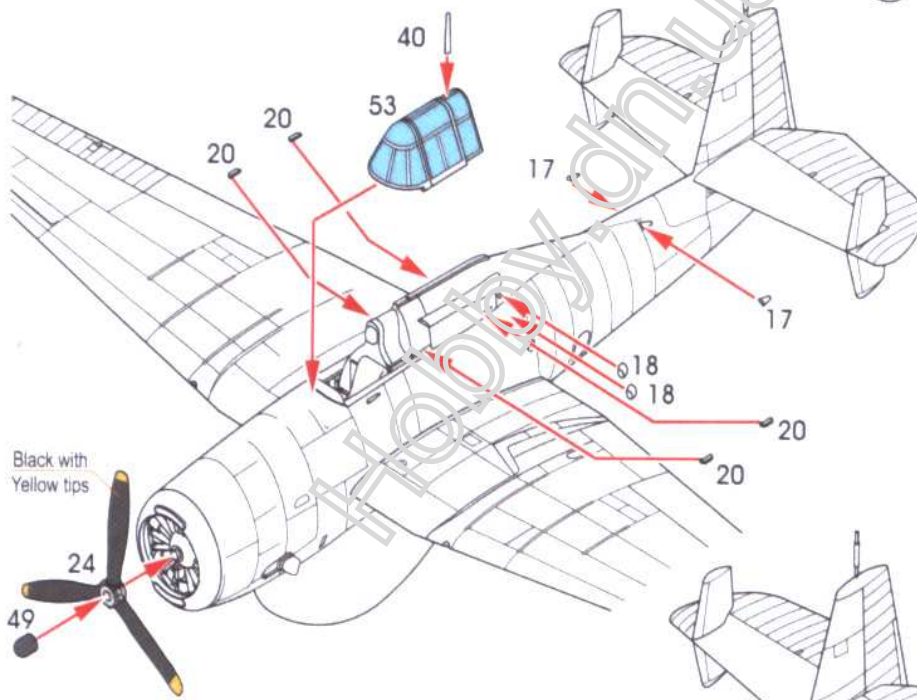


11

12

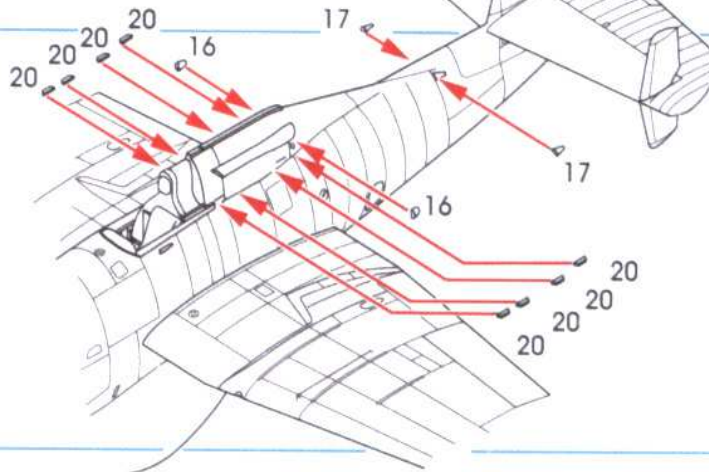


13



14

ONLY U.S. NAVY CAMOUFLAGE

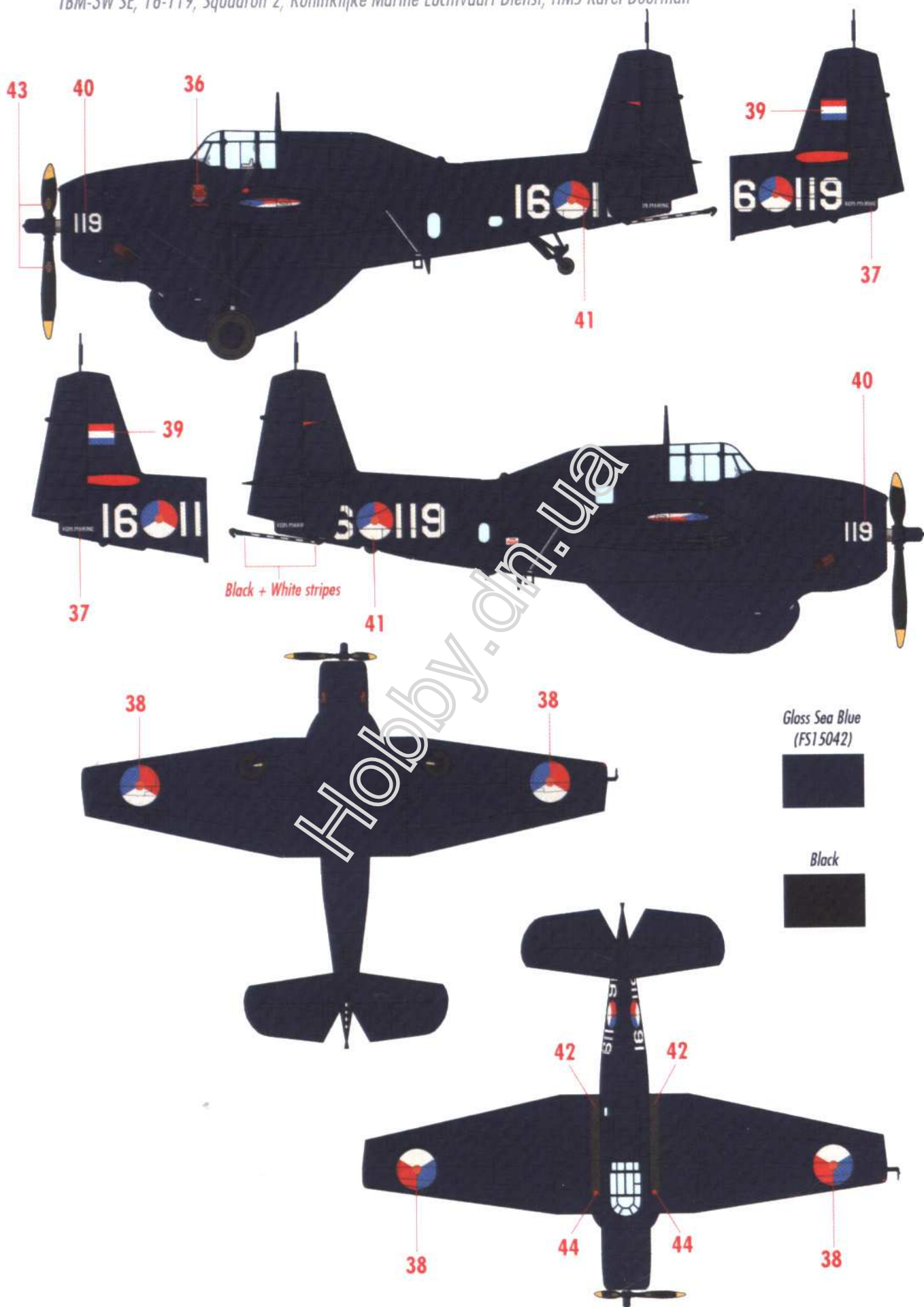




TBM-3W SE, 9.F.12, Squadron 9.F, French Navy, Aircraft Carrier Arramanches

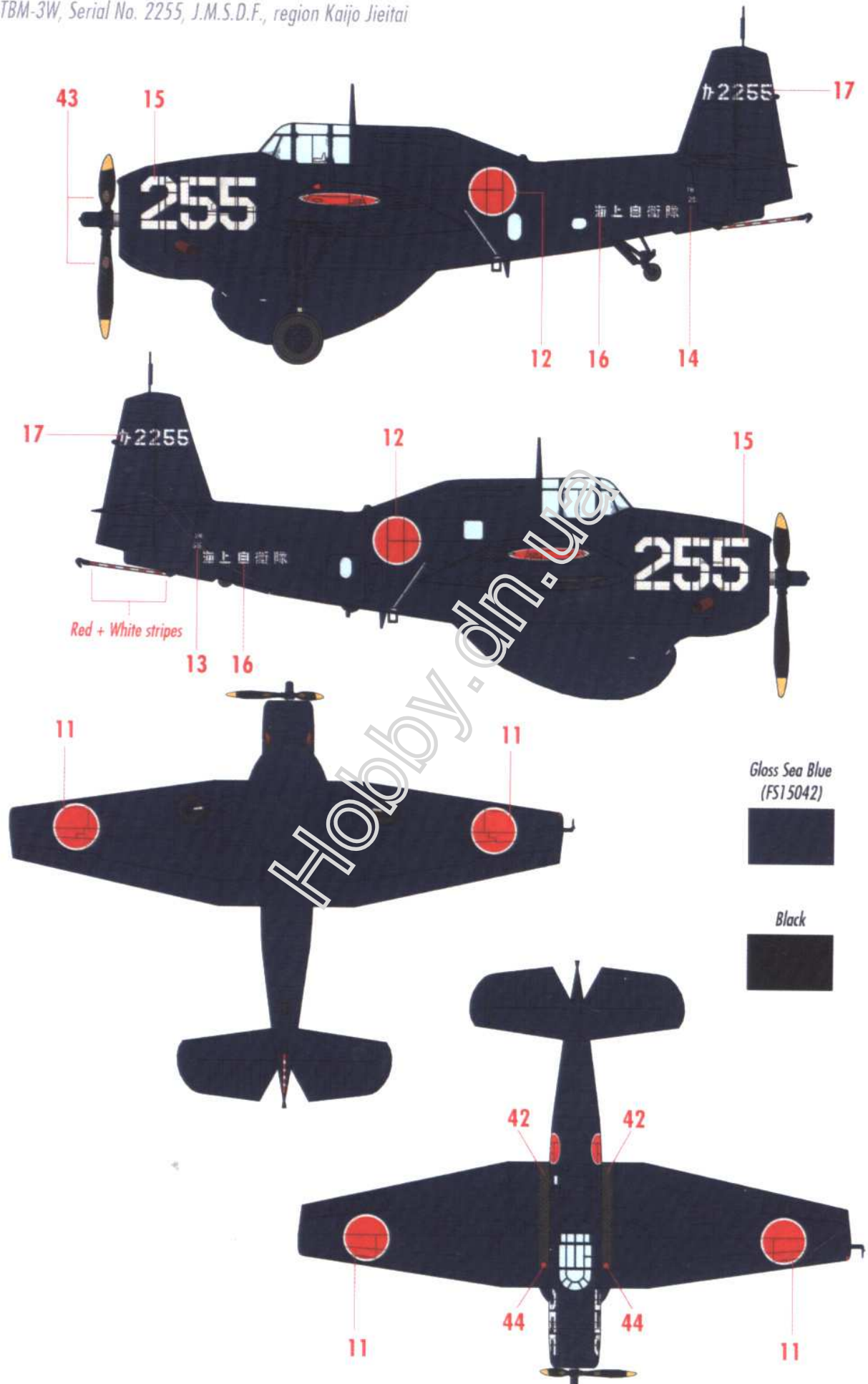


TBM-3W SE, 16-119, Squadron 2, Koninklijke Marine Luchtvaart Dienst, HMS Karel Doorman

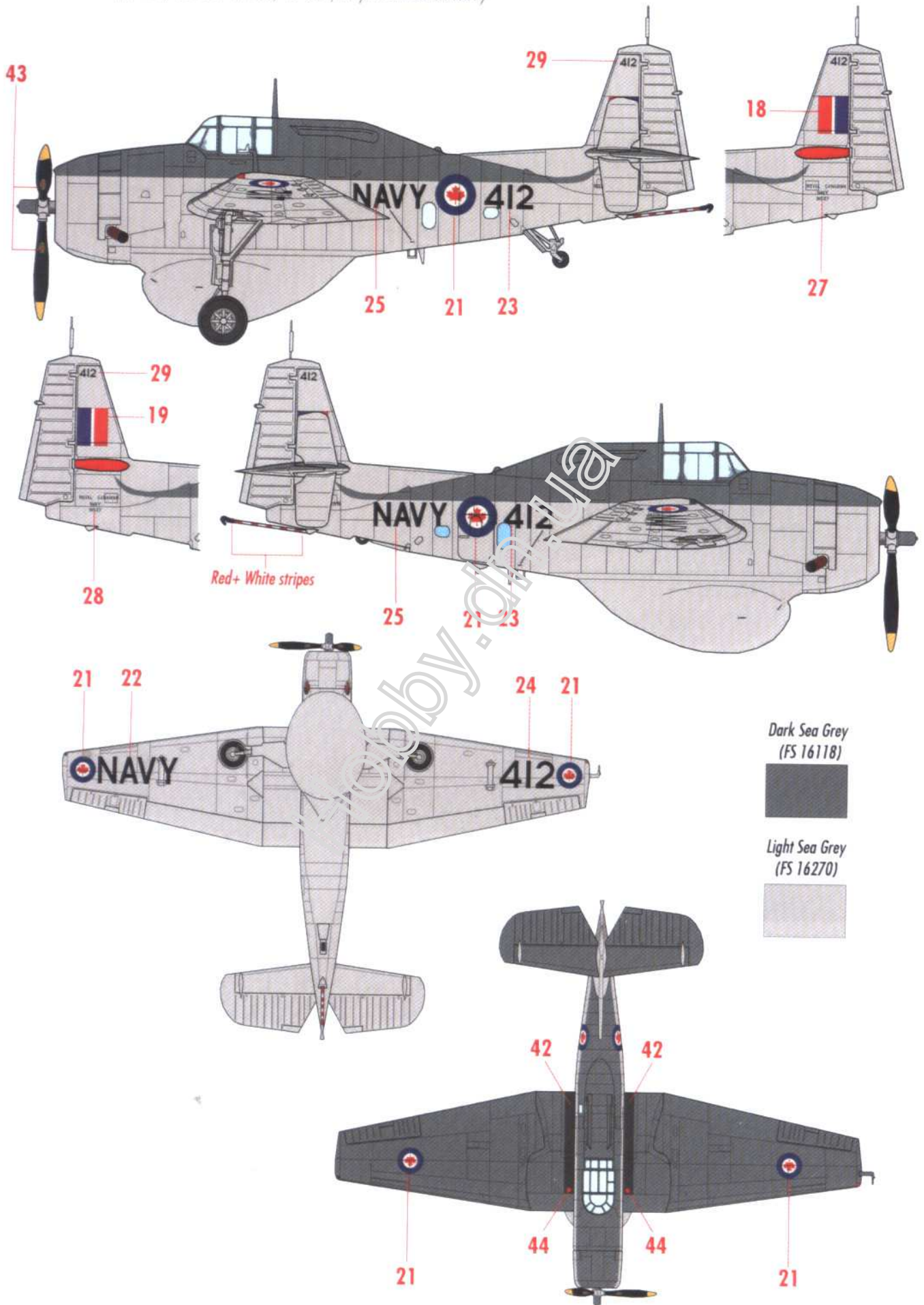




TBM-3W, Serial No. 2255, J.M.S.D.F., region Kaijo Jieitai



TBM-3W, „412“, Bu. No. 91537, VS 881, Royal Canadian Navy



TBM-3W, Anti-Submarine Squadron VS-892, Bu.No. 53524

