



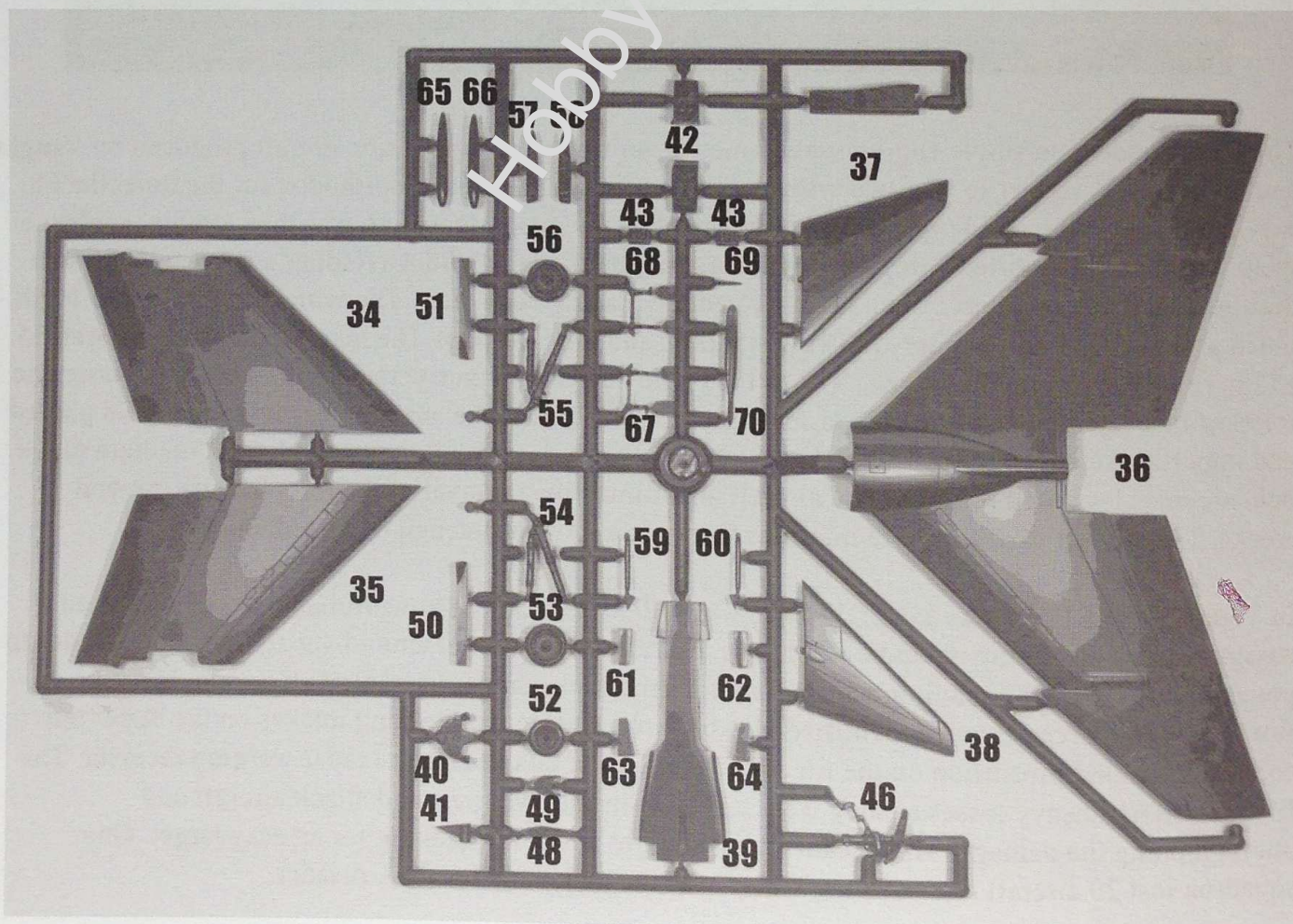
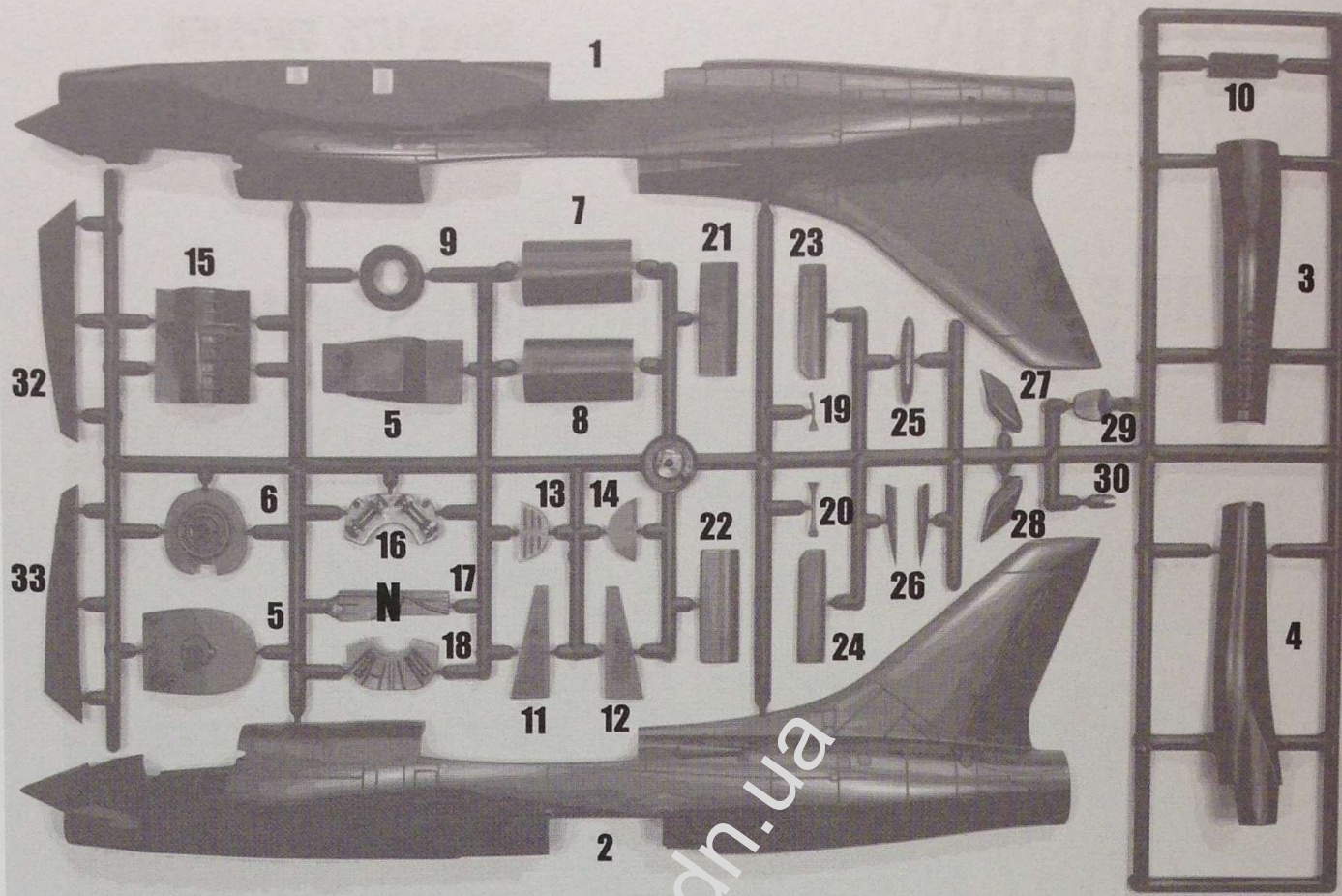
Scale 1/72 SW72150

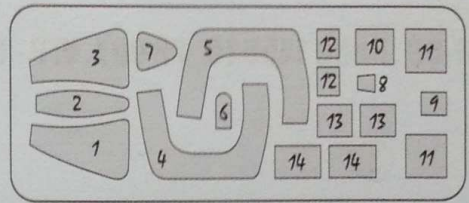
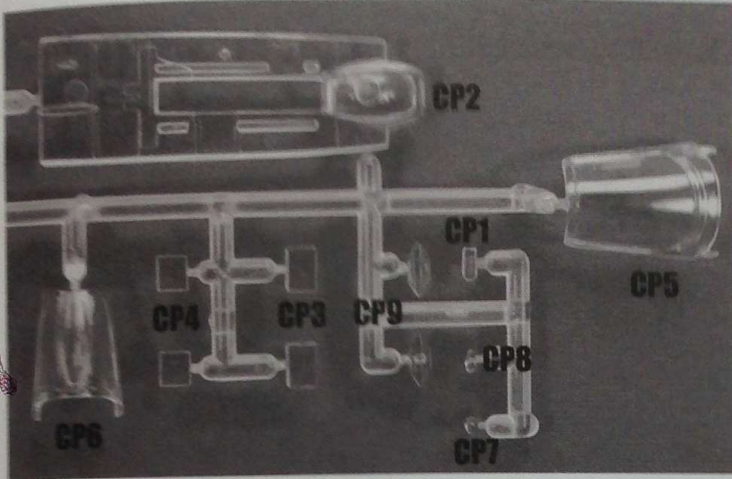
RF-8A/RF-8G Photo-Recon Crusaders

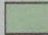


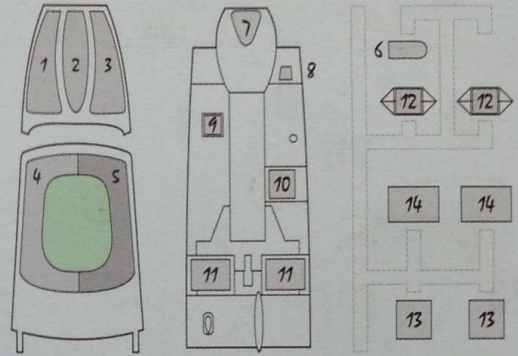
The F8 Crusader is a single engine super sonic carrier based air superiority aircraft produced by Vaught, and the last U.S. fighter to be fitted with guns as a primary weapon. Unorthodox for the time, the F8 was had a high-wing and large intake below the nose. Its main innovation was the variable incidence wing which could be tilted 7 degrees to increase angle of attack whilst avoiding a nose-high attitude during launch and recovery. Wing tilt activated the leading edge slats. The wing also had a 'dog-tooth' notch at the wing-fold for improved yaw stability, and inboard flaps. The maiden flight was March 25, 1955. The RF-8, originally the F8U-1P, is the photo-reconnaissance version with redesigned nose and forward fuselage to house cameras instead of cannons, leaving the aircraft unarmed. The RF-8 played an important role during the Cuban Crisis providing low-level photographs of Soviet medium range ballistic missiles based in Cuba. The aircraft also filmed the removal of the missiles over several weeks. The aircraft used for these missions were marked with a stencil of a dead chicken.

In Vietnam, the RF-8G was used. This was a modified RF-8, more powerful engine and upgraded navigation and electronic equipment. The the aircraft were remanufactured yet again with upgrades to power and equipment, including hard-points for drop-tanks, and long ventral strakes on the rear fuselage. Later aircraft can be identified also by large after-burner cooling intakes on the upper tail-cone, and a round protrusion on the fin above the rudder; this houses the radar warning receiver. The RF-8G suffered heavy losses as they were tasked with following ground attack aircraft and photographing the damage. This meant flying straight and level, making for an easy target. One squadron lost 20 aircraft on missions. 'Gator' was the nickname for the Crusader.

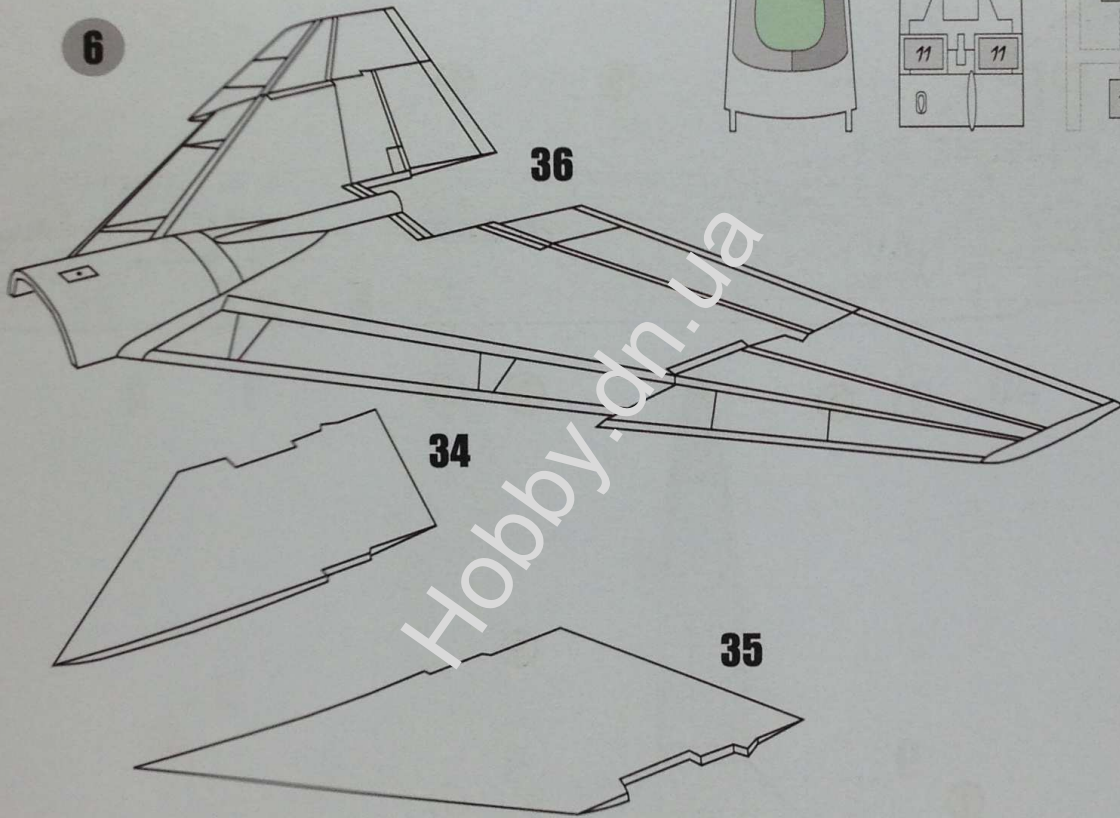




 Liquid mask



6

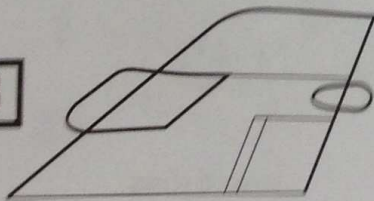


P3

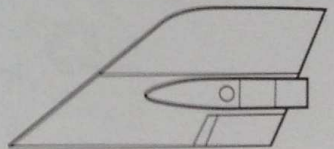
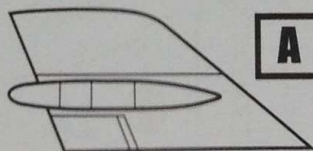
ECM FAIRING

RF-8G only

B



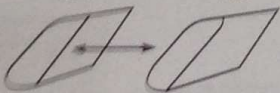
A



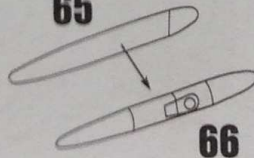
28

27

30

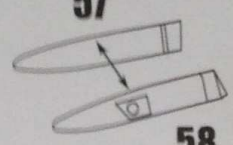


65

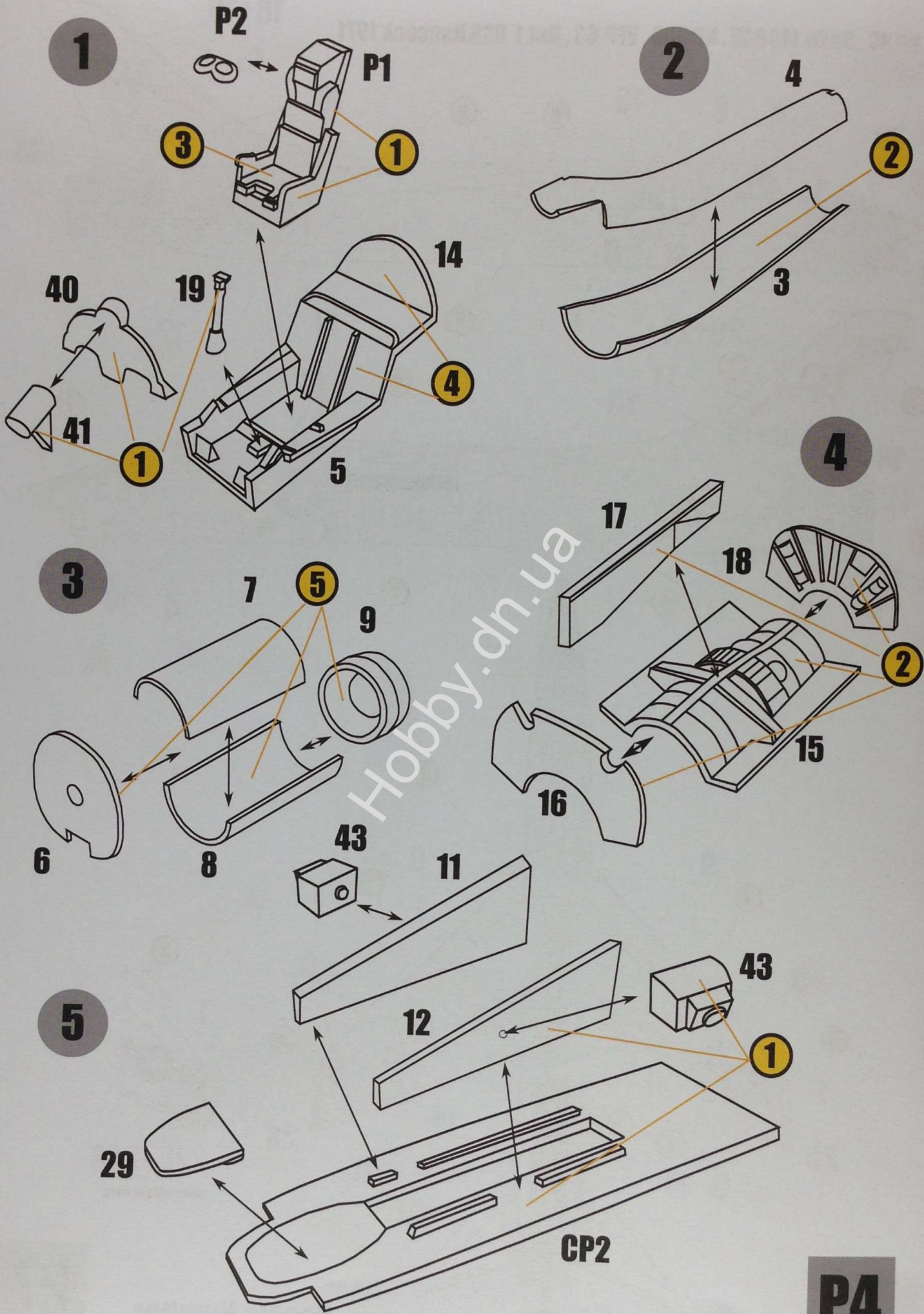


66

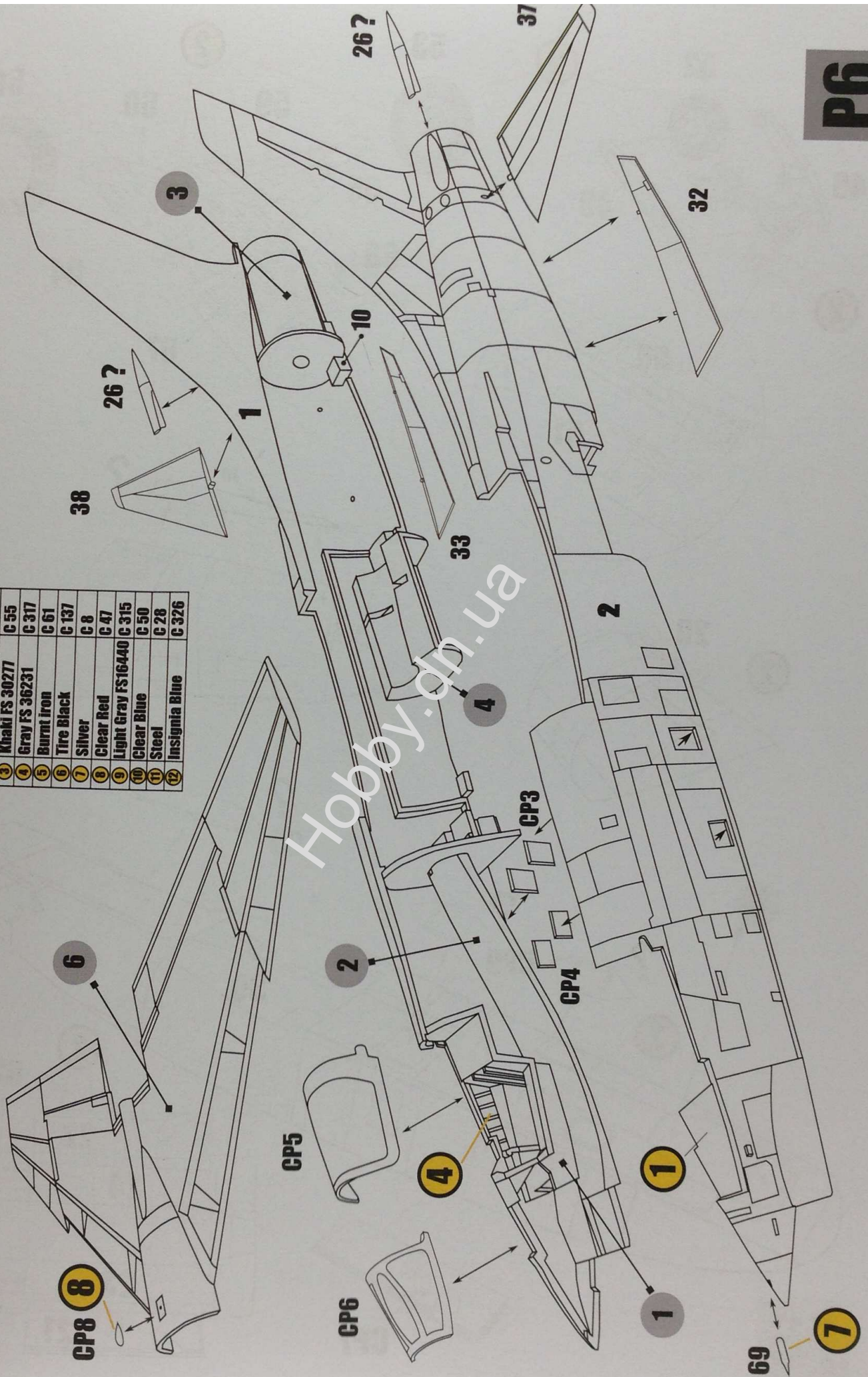
57



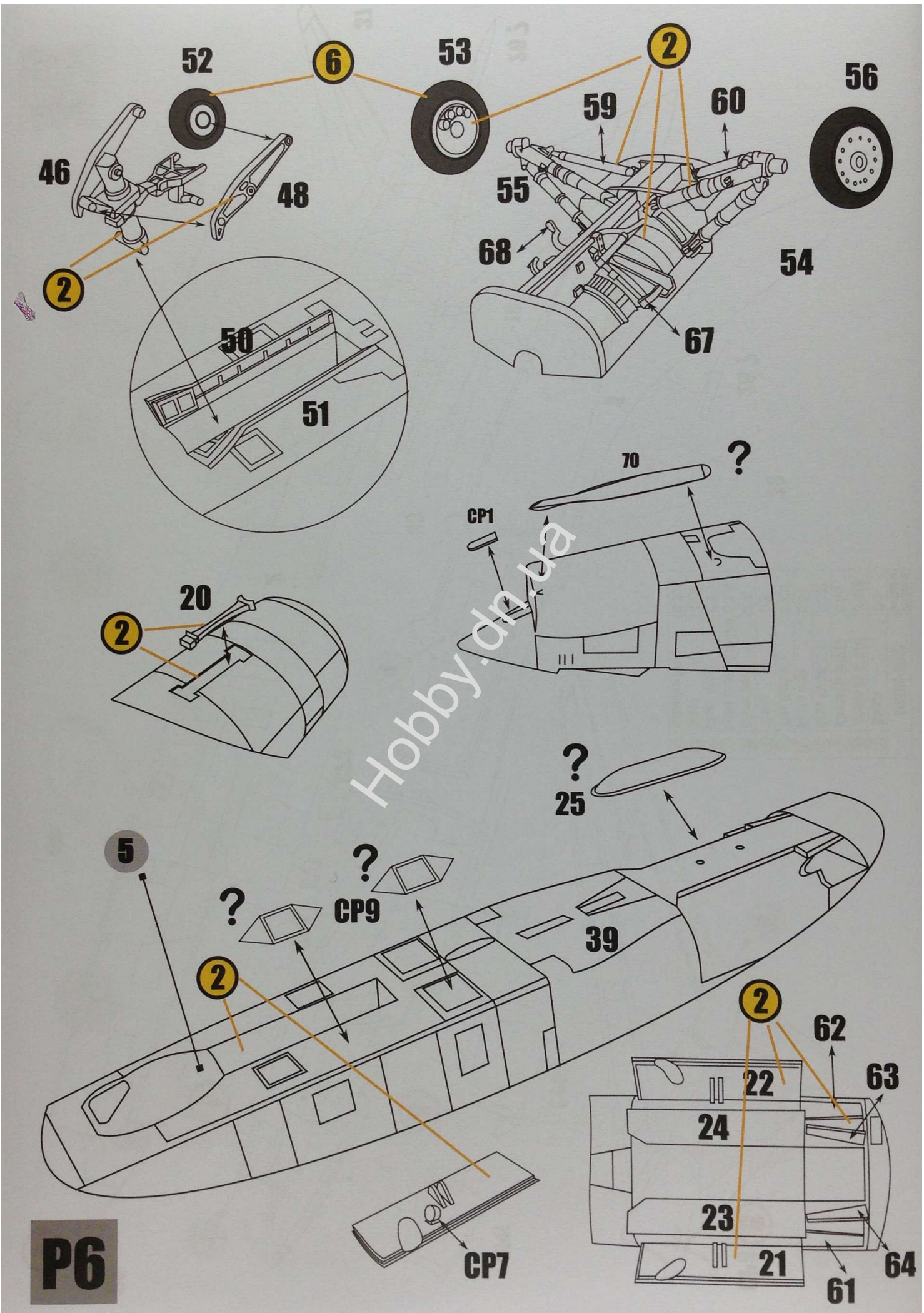
58



	COLOR INDEX	GS1 COLORS Mfr. Color
1	Black	C 2
2	White FS 17875	C 316
3	Khaki FS 30277	C 55
4	Gray FS 36231	C 317
5	Burnt iron	C 61
6	Tire Black	C 137
7	Silver	C 8
8	Clear Red	C 47
9	Light Gray FS16440	C 315
10	Clear Blue	C 50
11	Steel	C 28
12	Insignia Blue	C 326

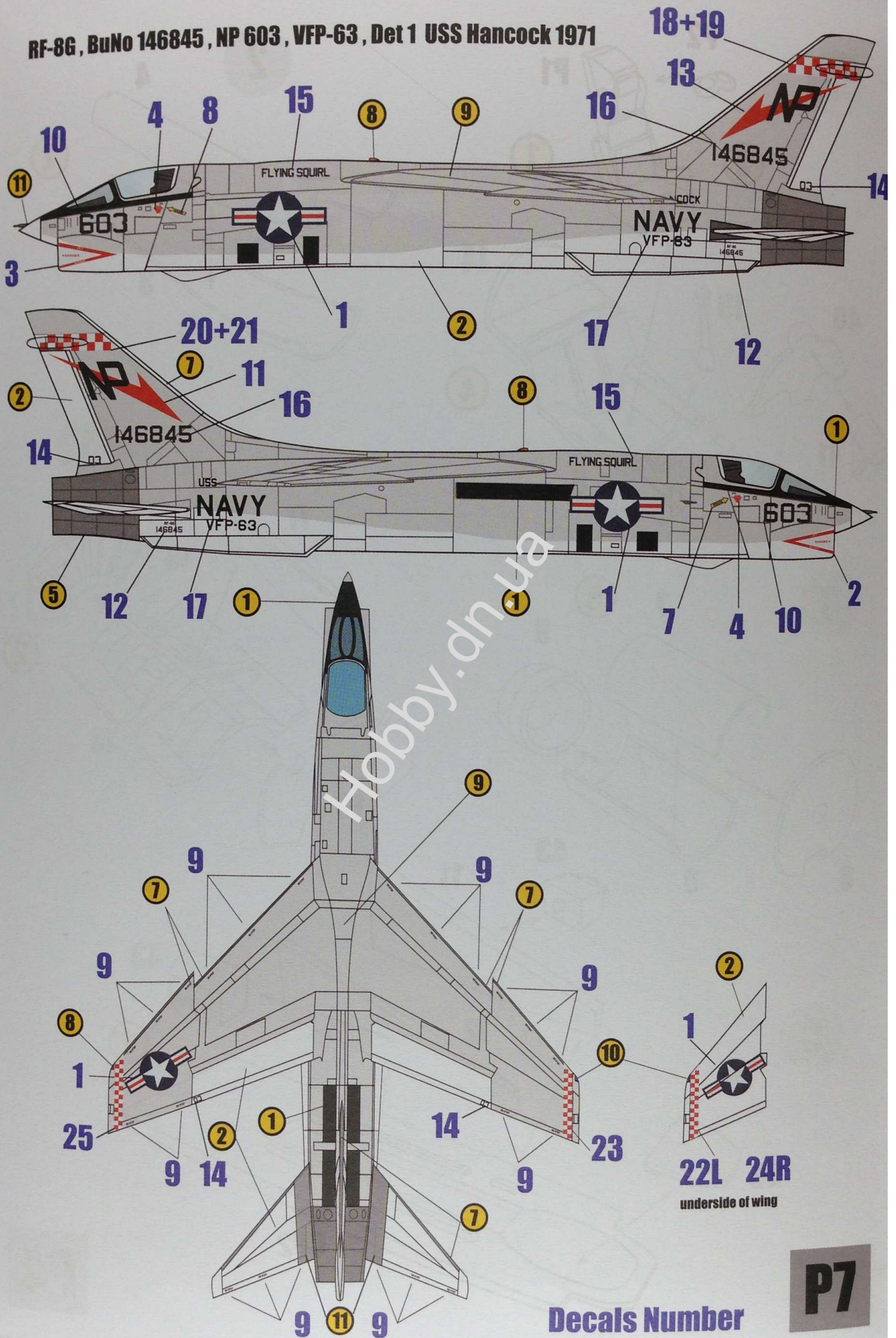


Hobby.dn.ua



P6

RF-8G, BuNo 146845, NP 603, VFP-63, Det 1 USS Hancock 1971

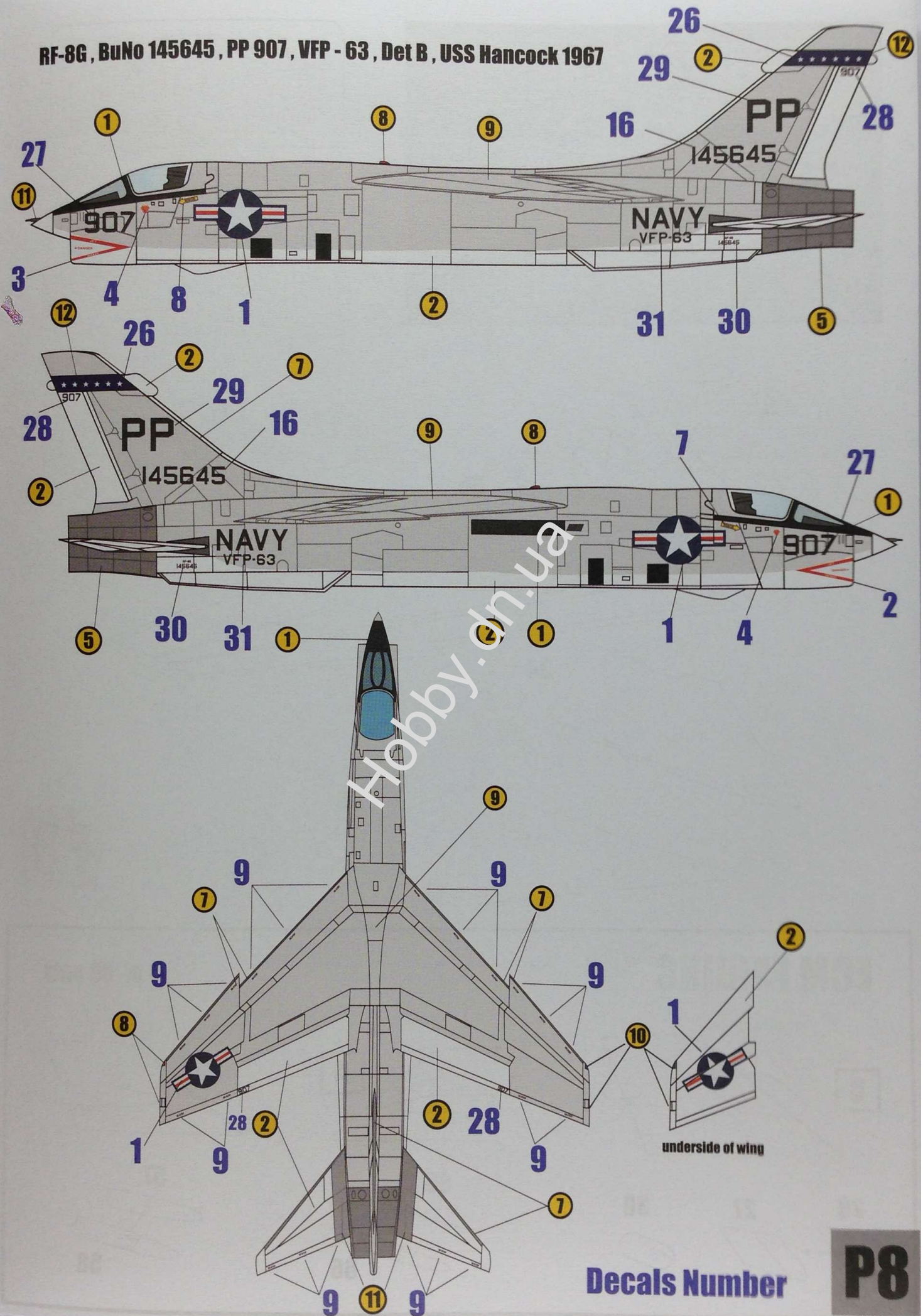


22L 24R
underside of wing

Decals Number

P7

RF-8G, BuNo 145645, PP 907, VFP - 63, Det B, USS Hancock 1967



Decals Number

P8