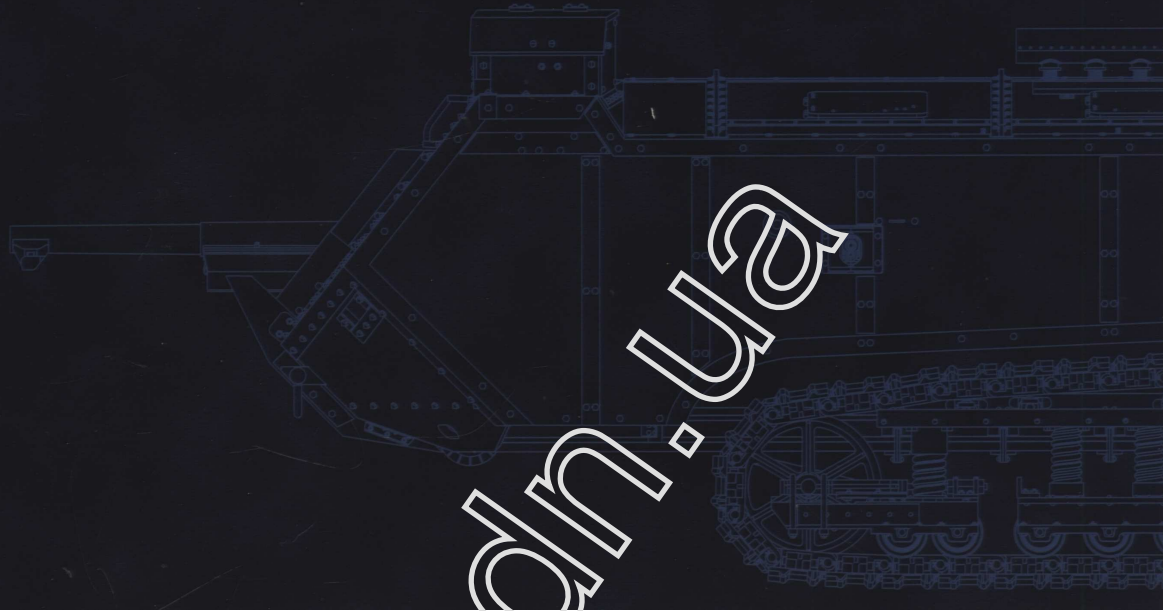


ST.CHAMOND

FRENCH HEAVY TANK/LATE TYPE

The Saint-Chamond was the second French heavy tank of the First World War, with 400 manufactured from April 1917 to July 1918. Born of the commercial rivalry existing with the makers of the Schneider CA1 tank, the Saint-Chamond was an inadequate underpowered design. Its principal weakness was the "caterpillar" tracks. They were much too short in relation to the vehicle's length and heavy weight (23 tons). The third and final production batch of the St-Chamond with the angled roof and M1897 75mm gun. For more information about Saint-Chamond please search wikipedia



hobby.com.ua

READ BEFORE ASSEMBLY

CAUTION

- Read carefully and fully understand the instructions before commencing assembly. A supervising adult should also read the instructions if a child assembles the model.
- When assembling this kit, tools including knives used. Extra care should be taken to avoid personal injury.
- Keep out of reach of small children. Children must not be allowed to suck any part, or pull vinyl bag over their heads.



Attention



Painting



Do Not Cement



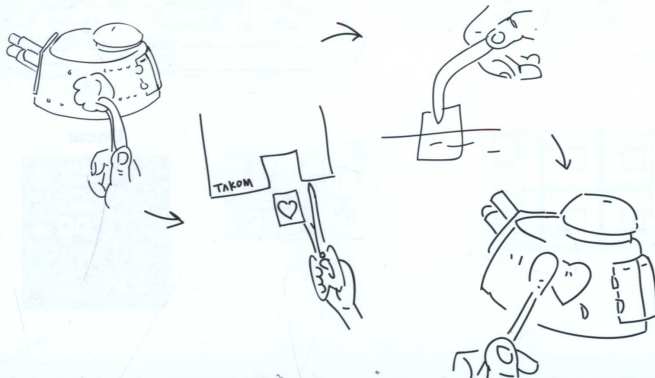
Optional

PAINTS REQUIRED

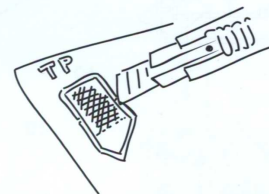
- A.MIG 060 Pale Green
- A.MIG 062 French Blue
- A.MIG 064 Brown Earth
- A.MIG 035 Dark Tracks
- A.MIG 041 Dark Rust
- A.MIG 045 Gun Metal
- A.MIG 046 Matt Black
- A.MIG 061 Sand Yellow
- A.MIG 063 Pale Grey
- A.MIG 065 Forest Green

APPLYING DECALS

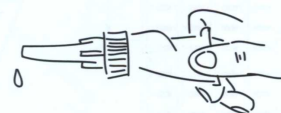
1. Clean the model surface with a wet cloth.
2. Cut out each decal design from sheet, and dip it in tepid water for 15-20 sec.
3. Hold the backing sheet edge and slide decal onto the model.
4. Move decal into position by wetting decal with finger.
5. Press decal gently down with a soft cloth until excess water and air bubbles are gone.



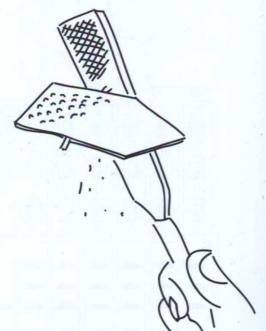
REMOVING PE



Be careful not to hurt when removing PE parts.



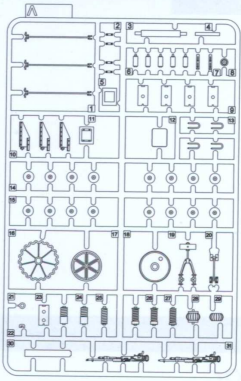
Secure using instant glue (not included).



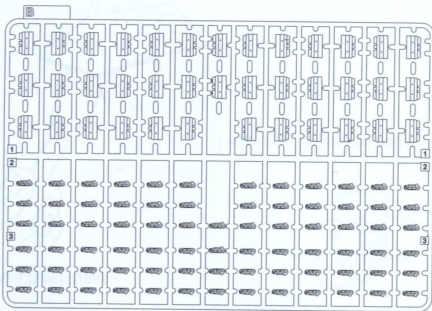
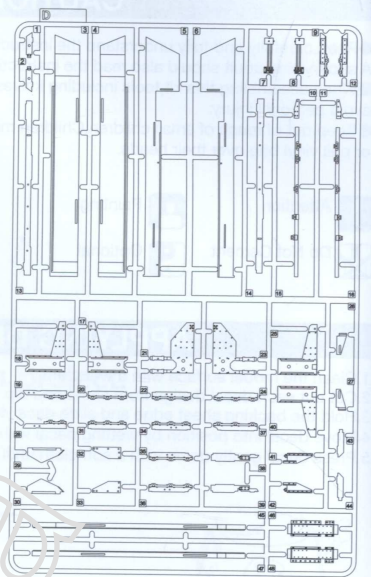
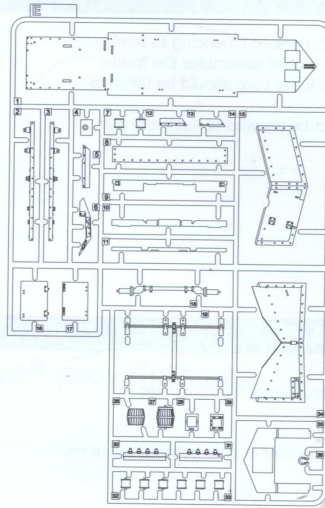
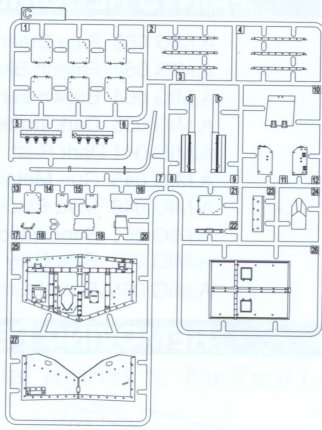
Finish using file.

PARTS

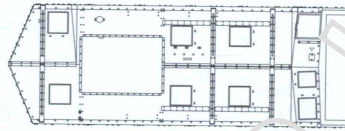
READ BEFORE ASSEMBLY



x2



x2

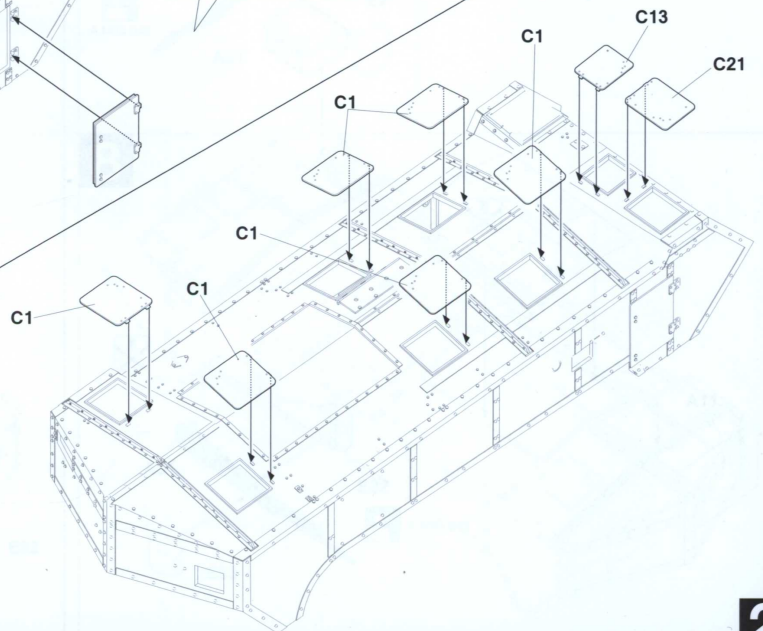
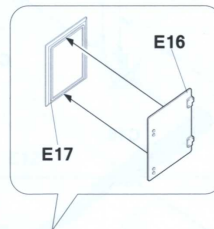
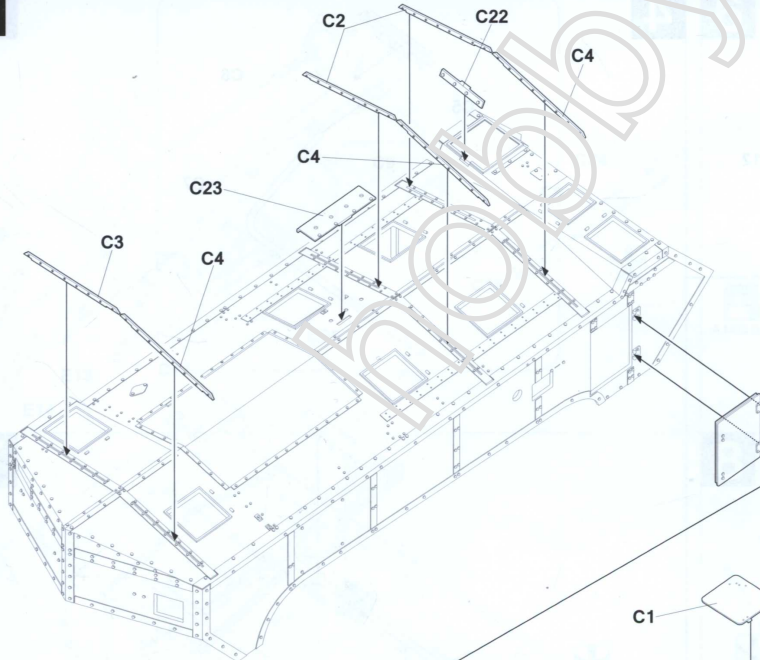


Decal

	62668	II
	62668	III
	62668	A3B8
	62668	II
	A3B8	III
	706	706
	706	706

2

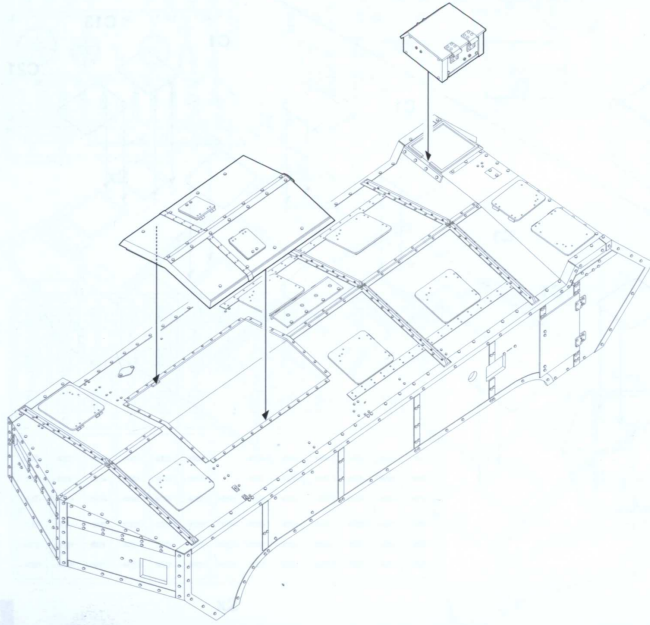
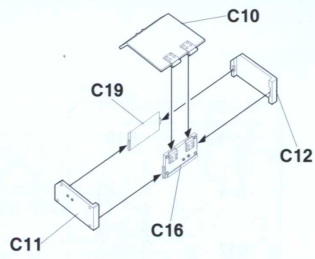
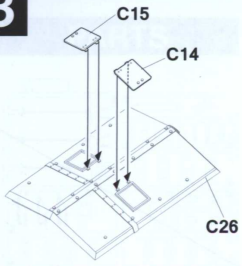
1



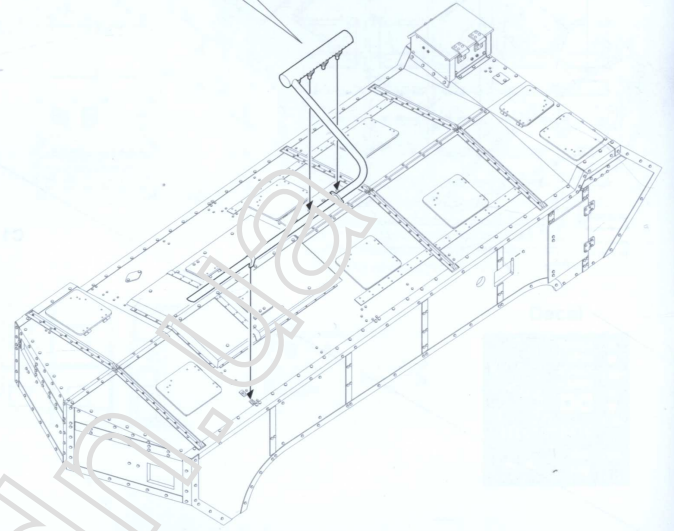
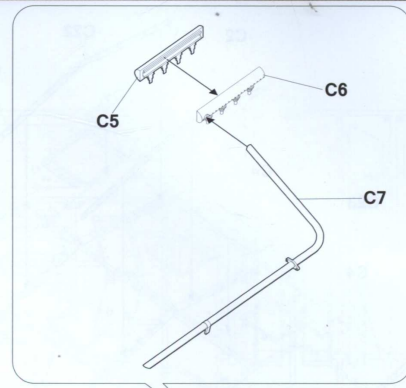
3

2

3

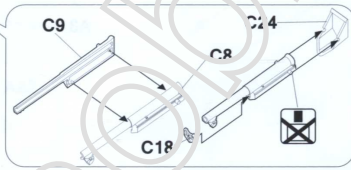
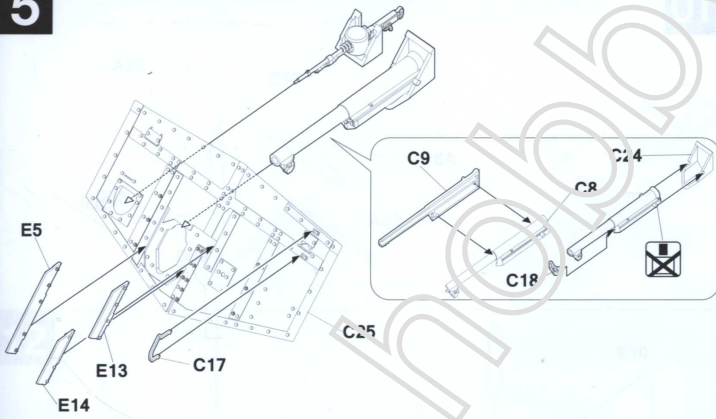


4

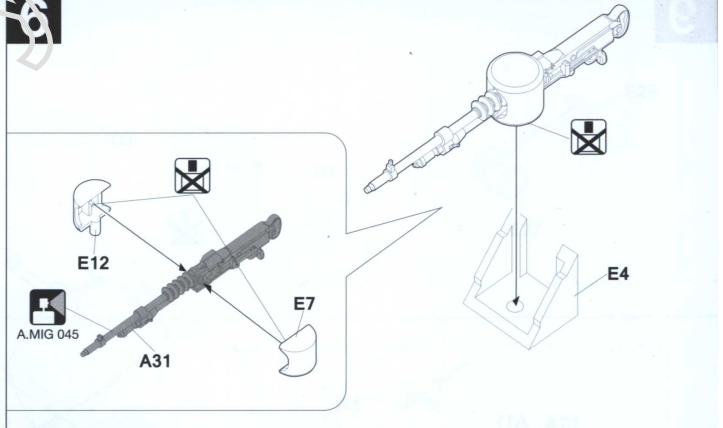


4

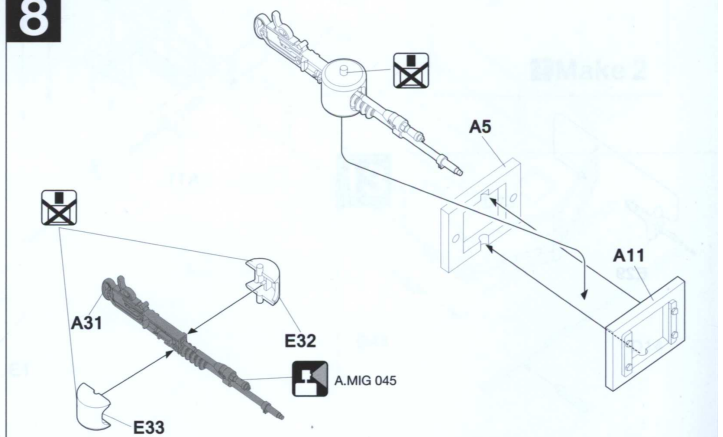
5



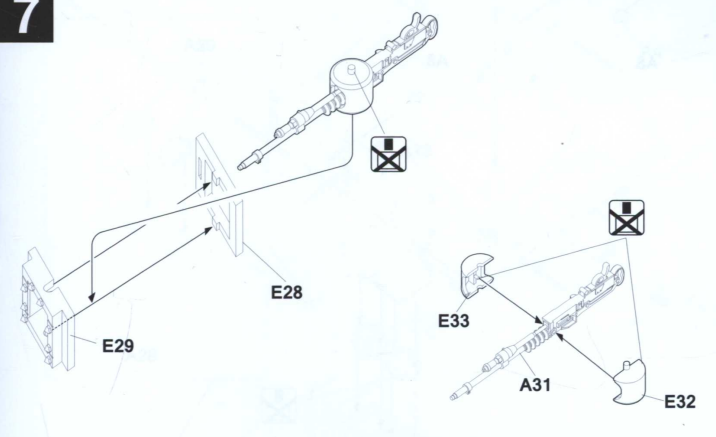
6



8

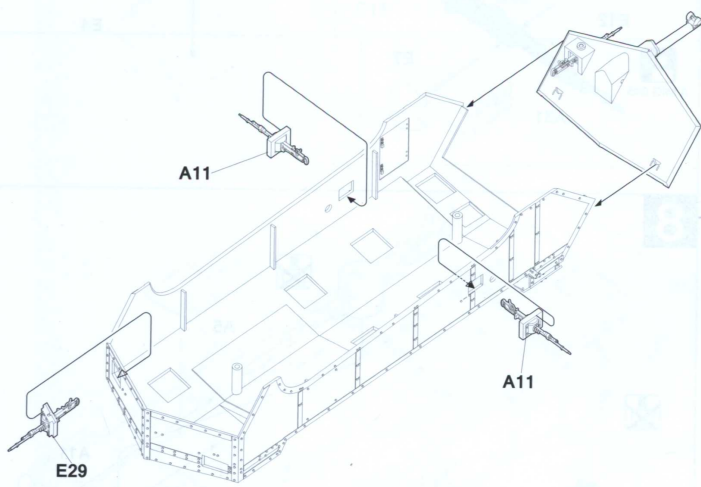


7

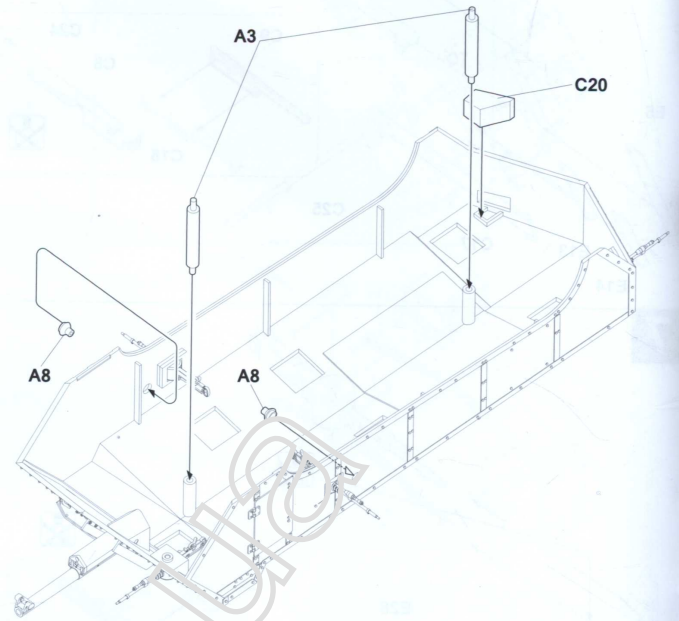


5

9

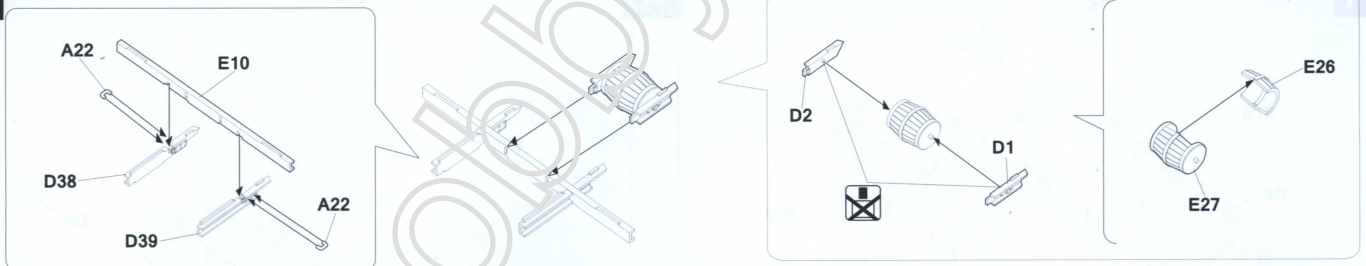


10

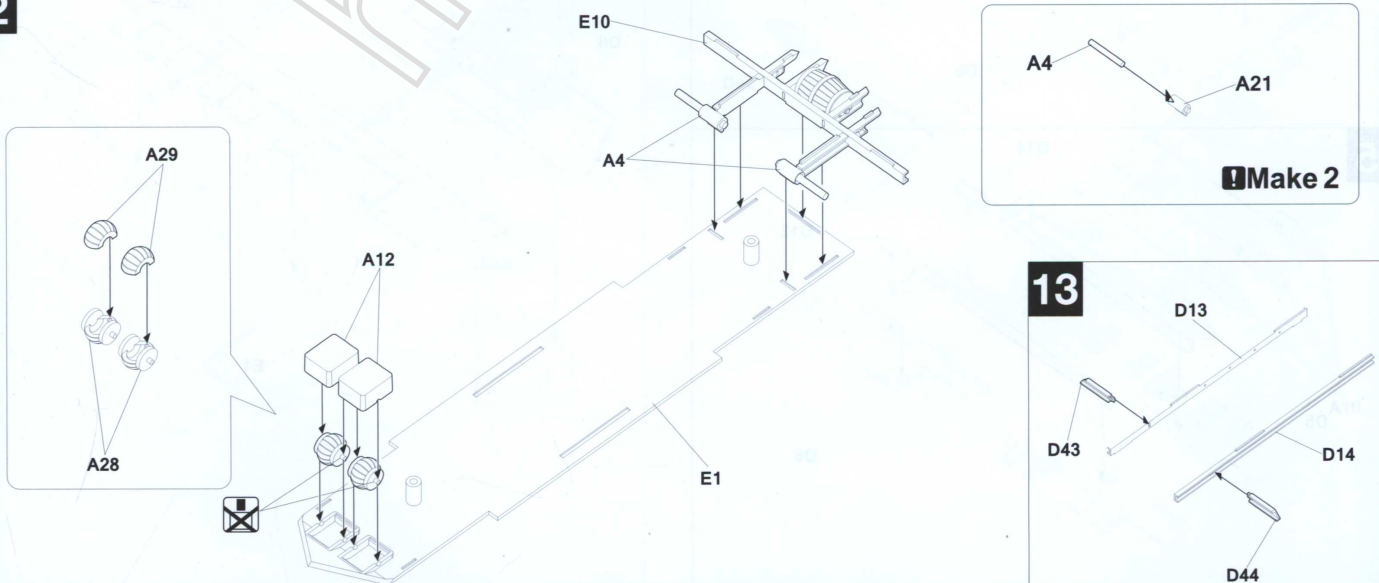


6

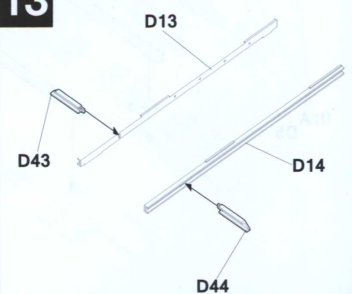
11



12

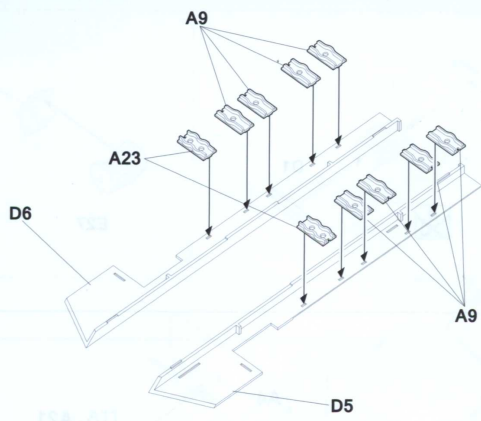


13

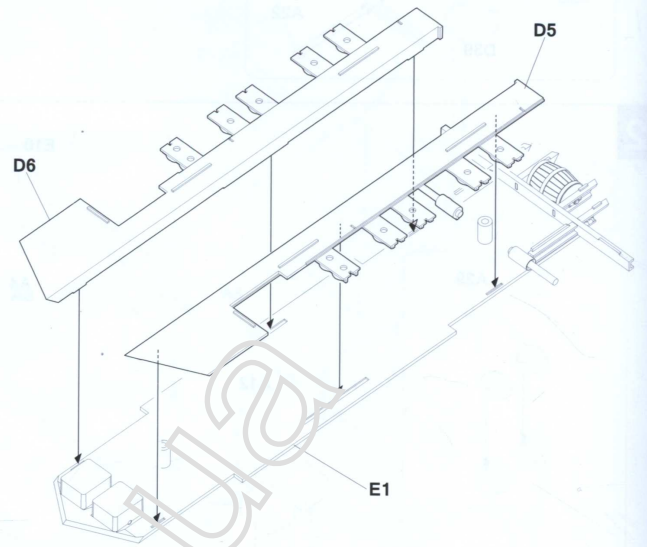


7

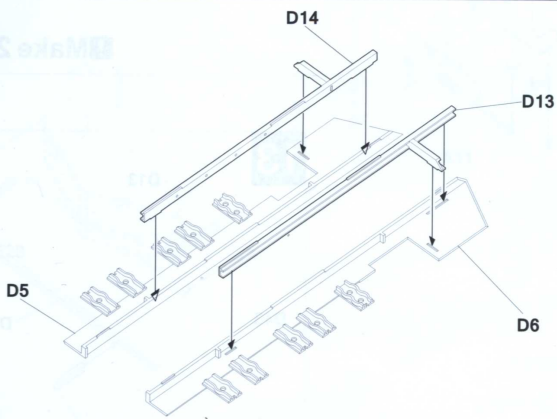
14



16

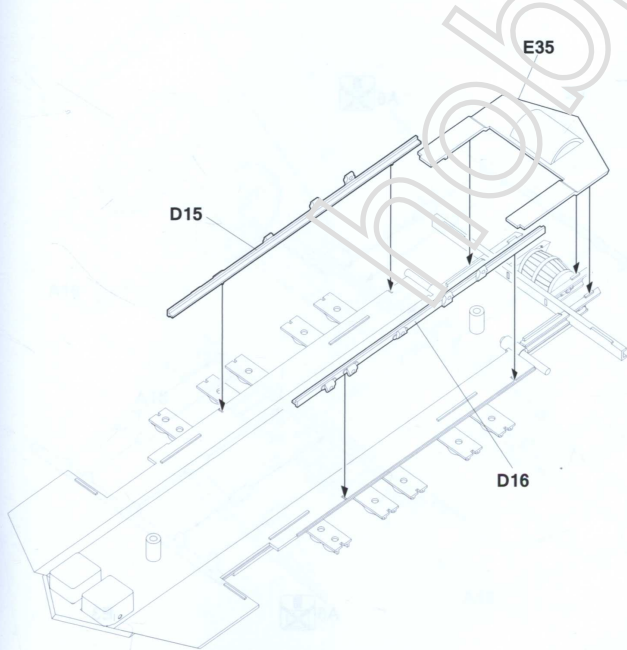


15

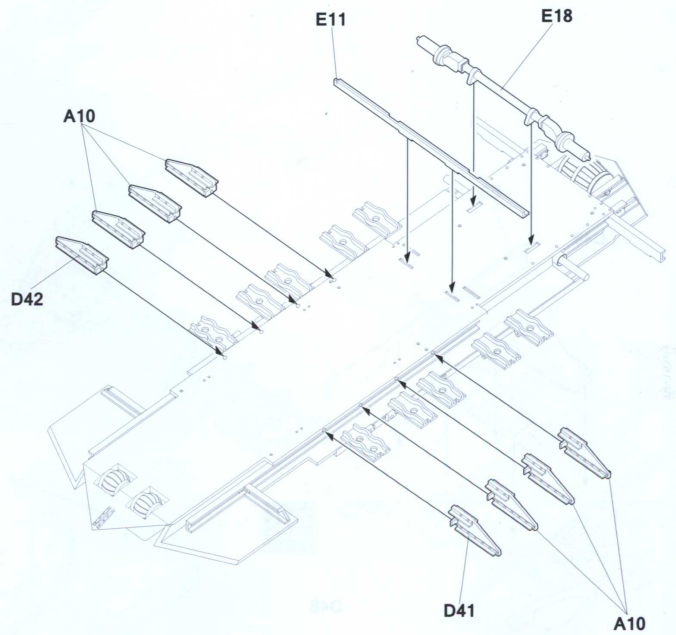


8

17

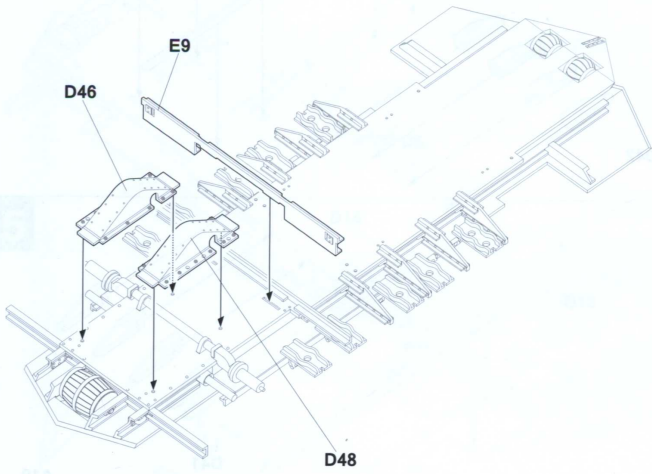


18

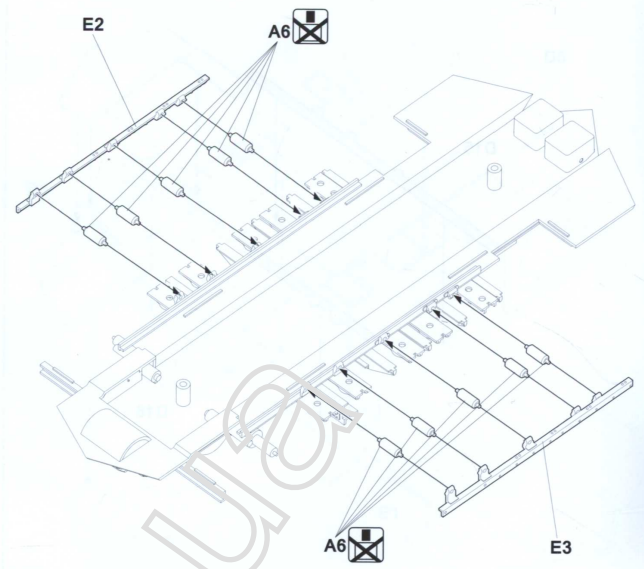


9

19

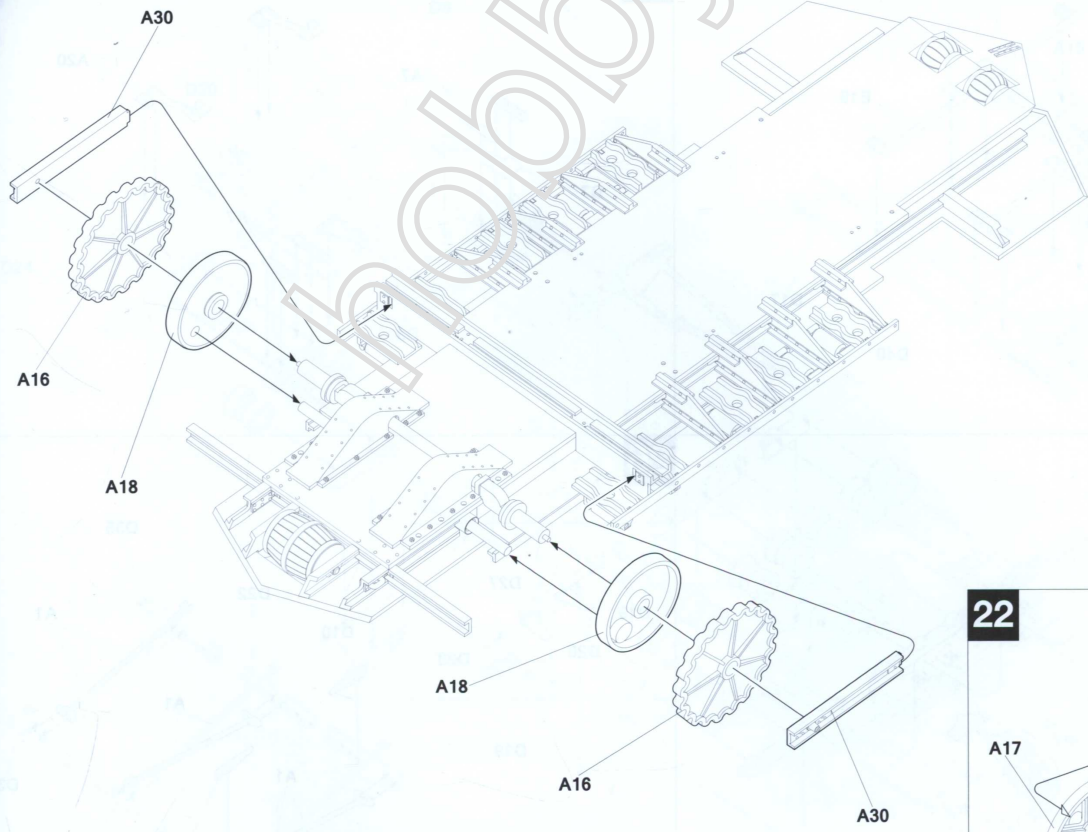


20

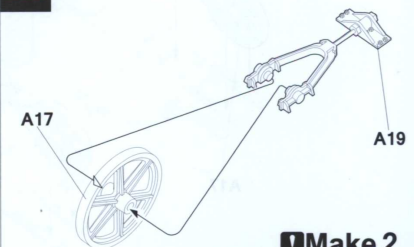


10

21



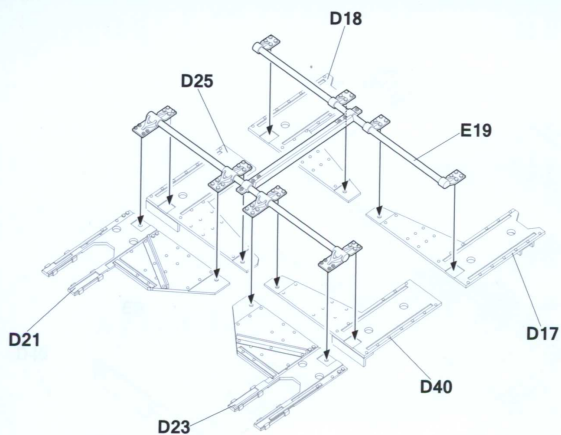
22



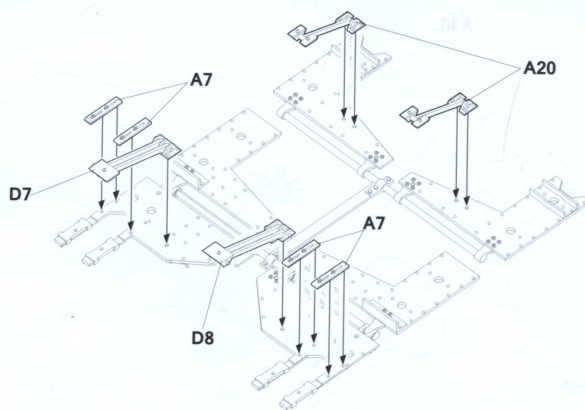
Make 2

11

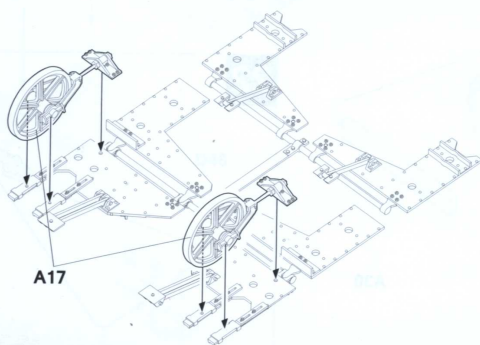
23



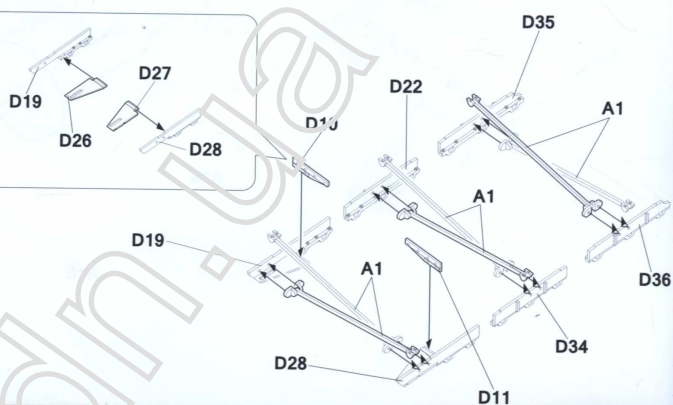
24



25

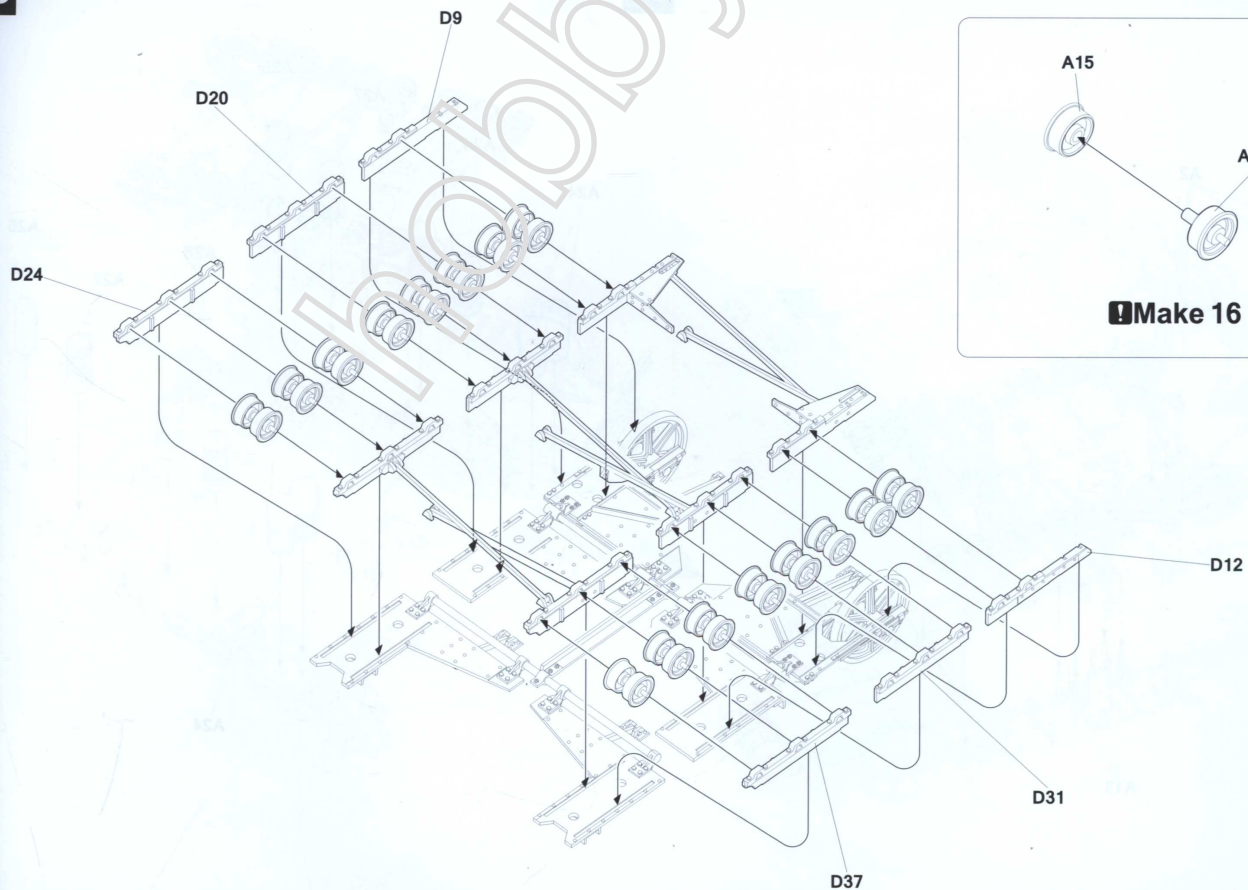


26



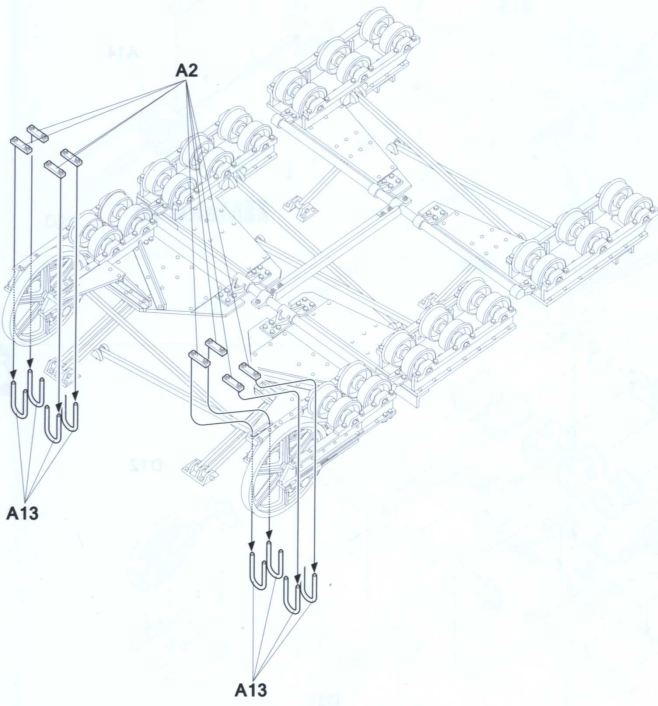
12

26

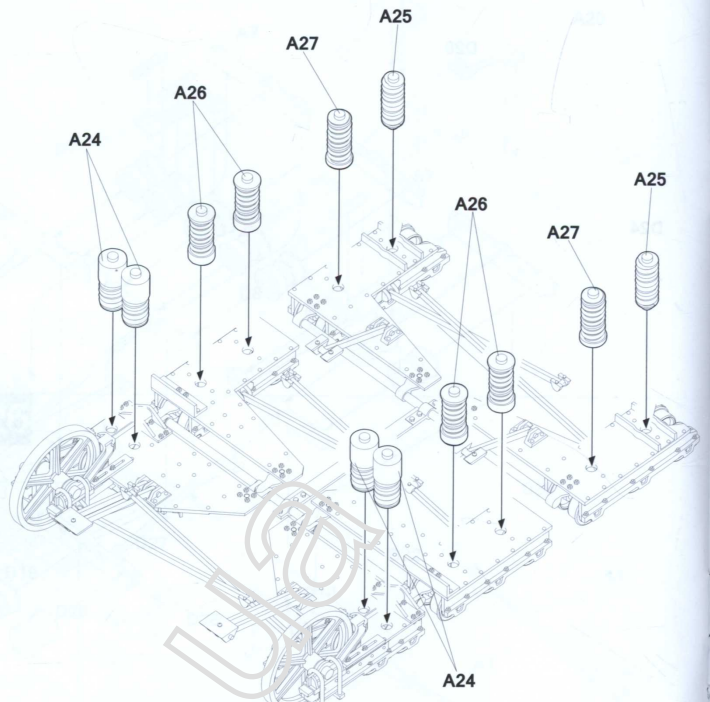


13

32

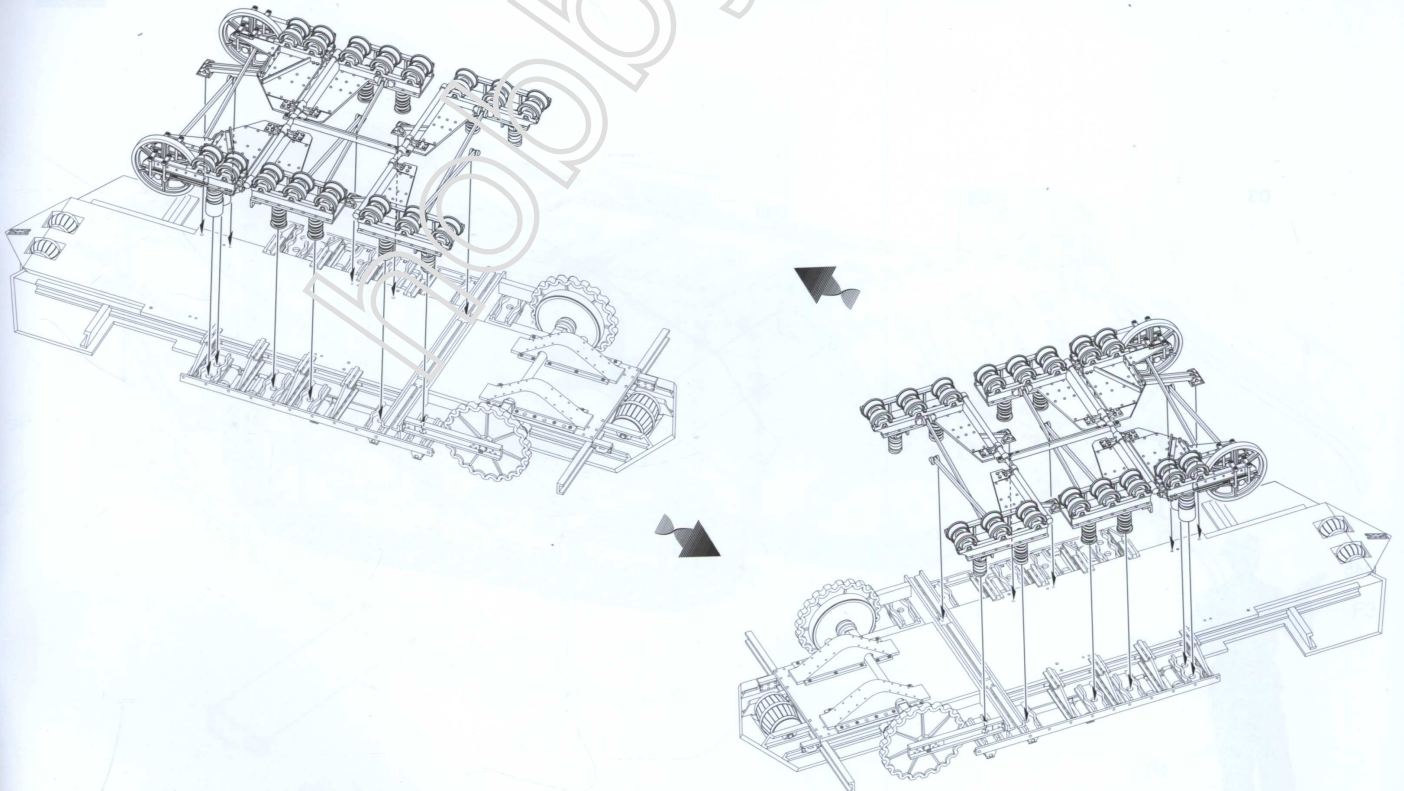


33



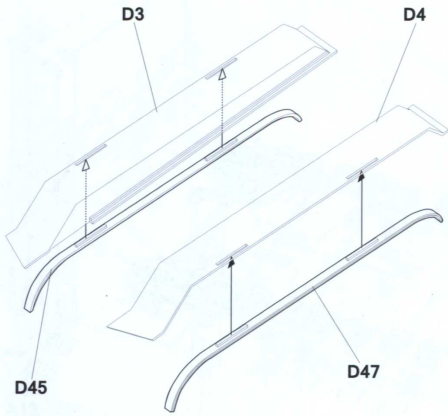
14

34

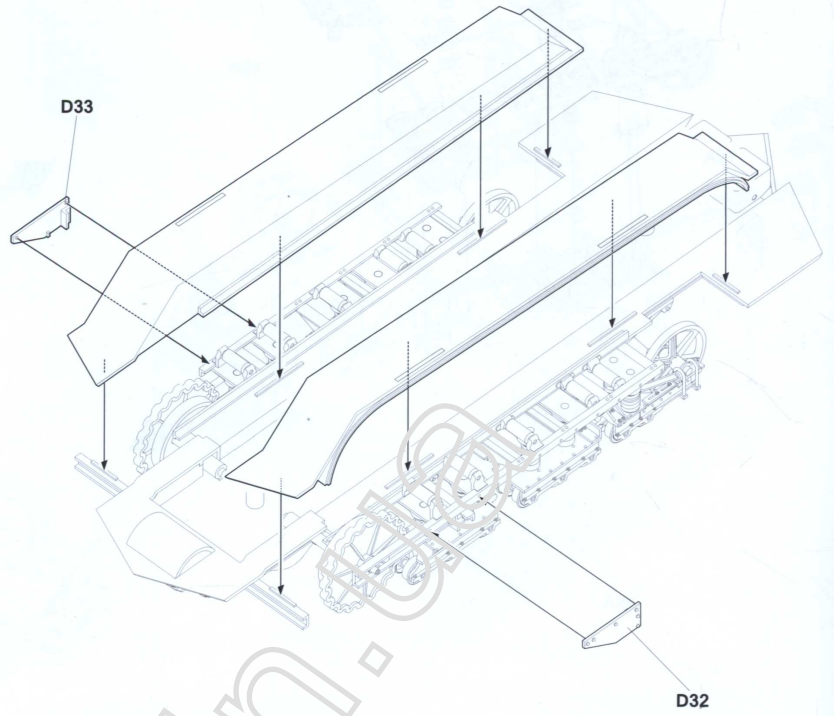


15

35

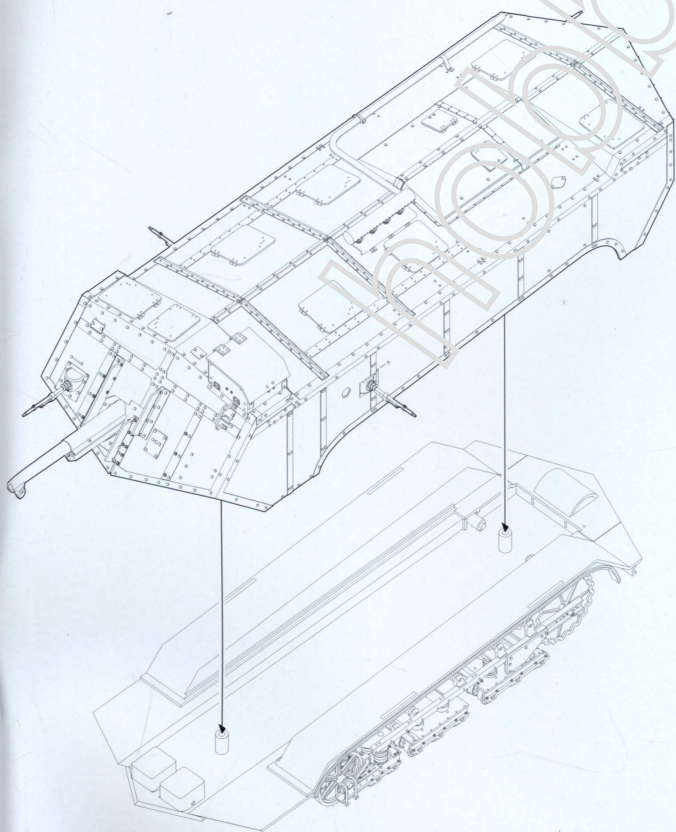


36

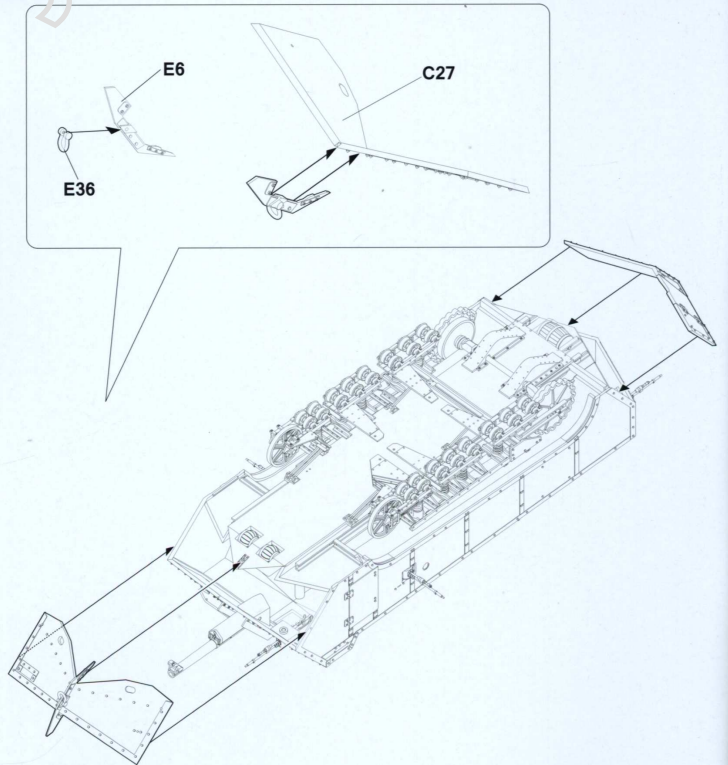


16

37



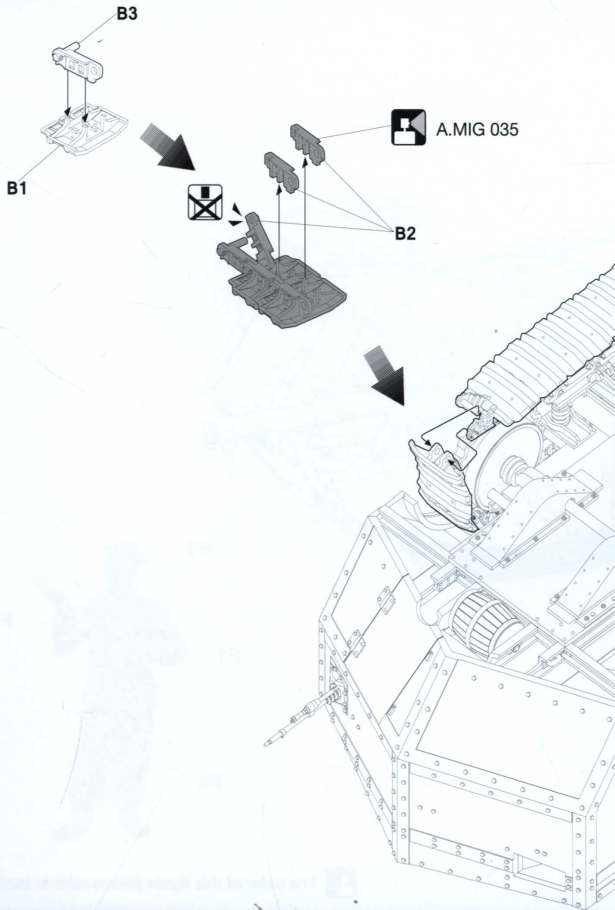
38



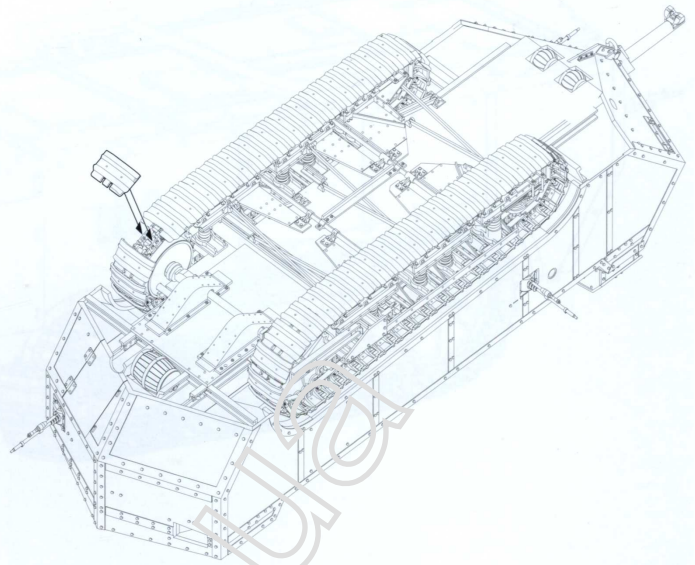
17

39

! 36 tracks on each side. Please set aside the palce for one piece shoe in order to easy connection.

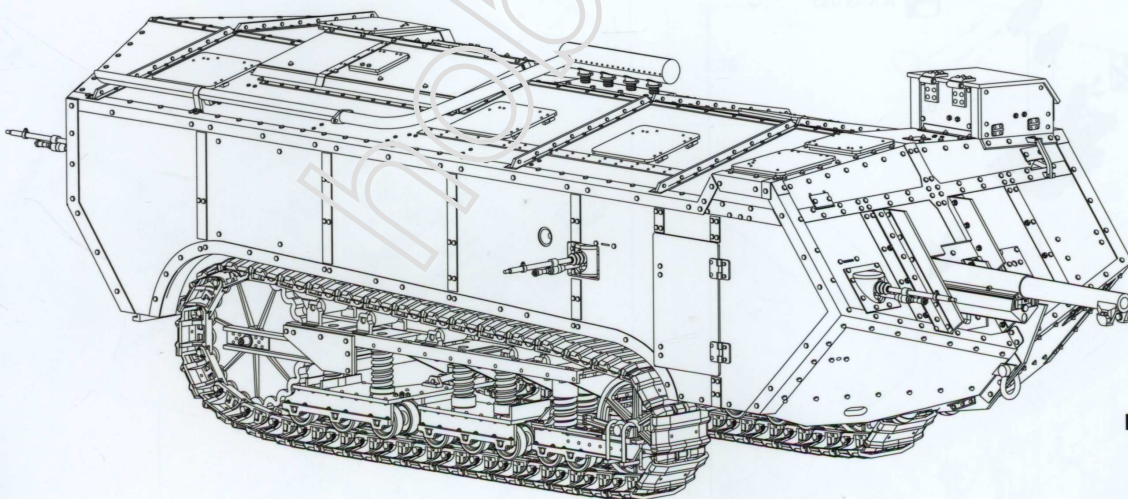


40



18

41



The color of this figure please refer to boxart

19



ST. CHAMOND LATE TYPE

Color info and profiles by



Painting and Marking Guide

A.MIG 060	Pale Green	A.MIG 035	Dark Tracks	A.MIG 063	Pale Grey
A.MIG 044	Brown Earth	A.MIG 045	Gun Metal	A.MIG 041	Sand Yellow
A.MIG 062	French Blue	A.MIG 041	Dark Rust		

Captured by Germans, Lataule, 11 th June 1918

Captured by Germans, Lataule, 11 th June 1918



TAKOM St. Chamond Late Type Ref. 2012



ST. CHAMOND LATE TYPE

Color info and profiles by



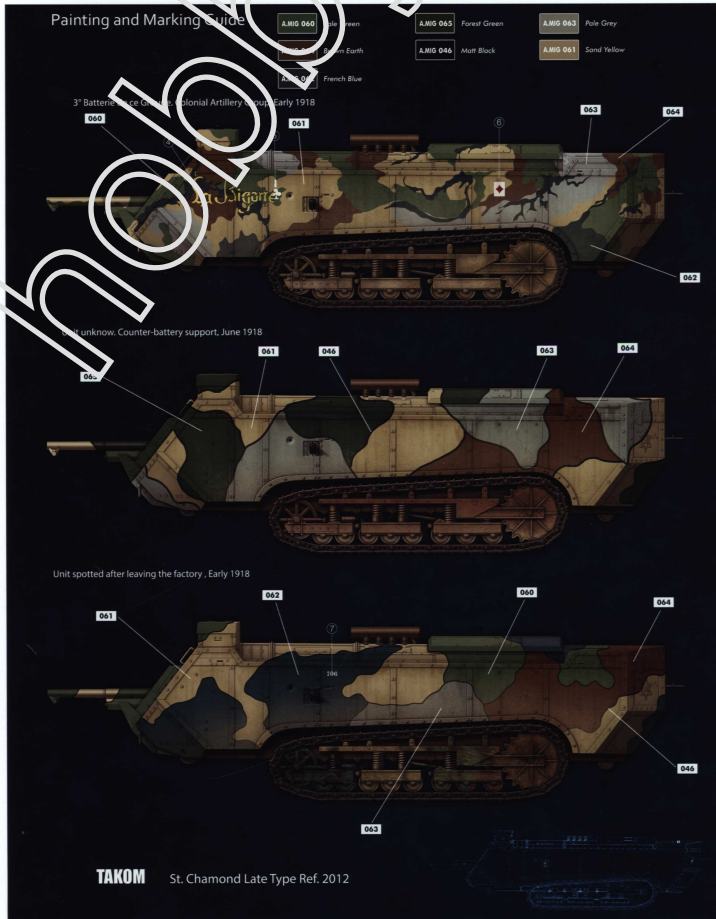
Painting and Marking Guide

A.MIG 060	Pale Green	A.MIG 045	Forest Green	A.MIG 063	Pale Grey
A.MIG 044	Brown Earth	A.MIG 046	Mott Black	A.MIG 041	Sand Yellow
A.MIG 062	French Blue				

3rd Battalion, Le Génie, Divisional Artillery, June Early 1918

Unknown, Counter-battery support, June 1918

Unit spotted after leaving the factory, Early 1918



TAKOM St. Chamond Late Type Ref. 2012