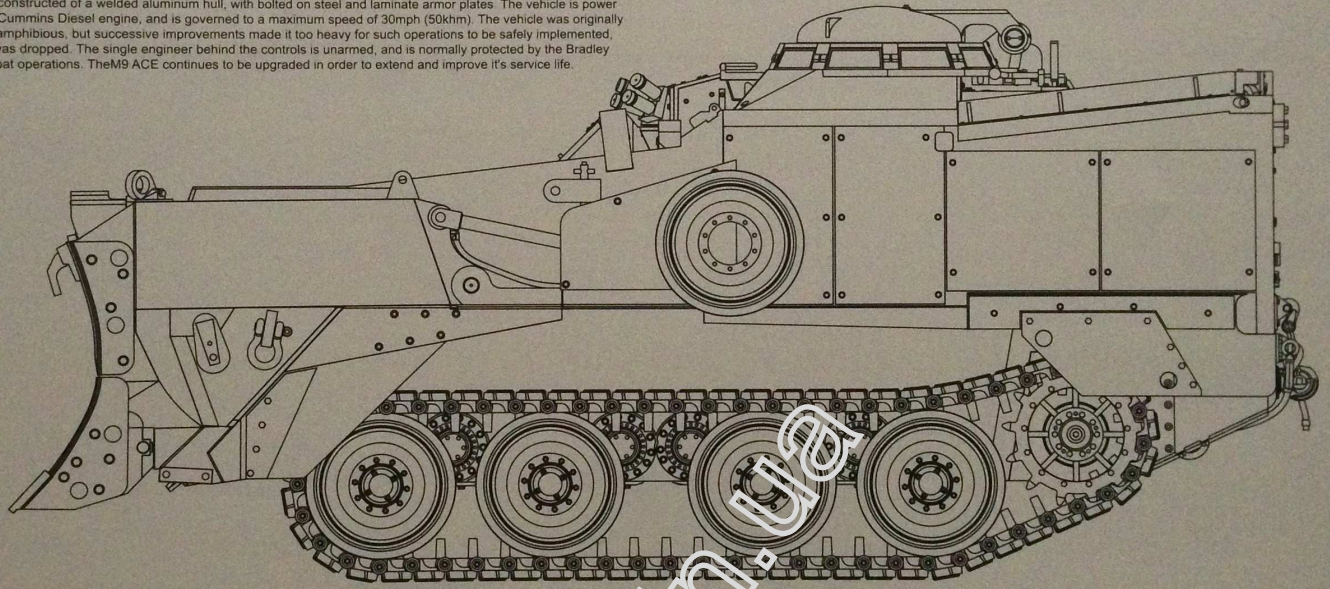


# U.S ARMORED COMBAT EARTHMOVER M9 ACE

The M9 ACE (Armored Combat Earthmover) was produced by BMY Combat Systems, and was first fielded by the U.S. Army in 1986. It has since been embraced by the USMC, as well as a few allied nations, and has seen action in the Persian Gulf wars of 1991 and 2003. This air-droppable engineering vehicle was designed to move earth, and fast. The unique hydropneumatic suspension allows the front end of the vehicle to tilt up or down and dig in with its dozer blade, the latter of which raises up and allows the 8.7 cubic yard capacity bowl to be filled with earth using the scraper blade. This can serve as a ballast, increasing its weight up to 55,000lbs (25,000kg) from a basic weight of 37000 lbs (17000kg), allowing it to perform heavier earth-moving operations, or the ACE can move its cargo of dirt to another location and push it out of the front end. The ACE is primarily used to dig emplacements for AFV's & artillery, dig tank ditches, breach berms, construct berms, repair roads, and clear obstacles.

The M9 ACE is constructed of a welded aluminum hull, with bolted on steel and laminate armor plates. The vehicle is powered by a 295hp Cummins Diesel engine, and is governed to a maximum speed of 30mph (50kph). The vehicle was originally designed to be amphibious, but successive improvements made it too heavy for such operations to be safely implemented, so this feature was dropped. The single engineer behind the controls is unarmed, and is normally protected by the Bradley IFV during combat operations. The M9 ACE continues to be upgraded in order to extend and improve its service life.



03.02.2020

## READ BEFORE ASSEMBLY

### CAUTION

- Read carefully and fully understand the instructions before commencing assembly. A supervising adult should also read the instructions if a child assembles the model.
- When assembling this kit, tools including knives used. Extreme care should be taken to avoid personal injury.
- Keep out of reach of small children. Children must not be allowed to suck any part, or pull vinyl bag over their heads.



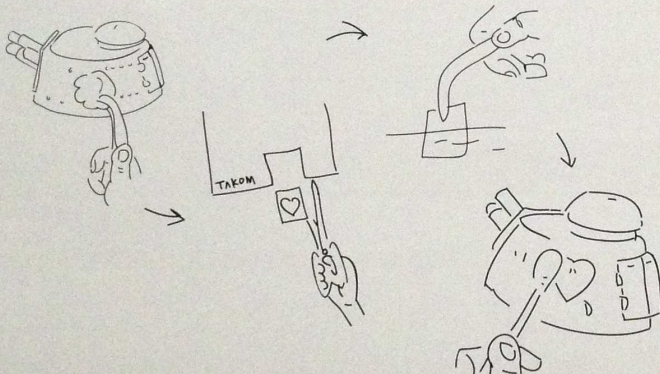
### PAINTS REQUIRED

Color info and profiles by Mig Jimenez

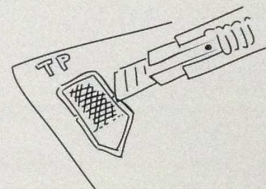
A.MIG 038 Rubber & Tires	A.MIG 043 Dark Rust	A.MIG 040 Gun Metal	A.MIG 004 Crystal Glass
A.MIG 097 Crystal Orange	A.MIG 198 Aluminium	A.MIG 071 Khaki	A.MIG 029 Desert Sand
A.MIG 048 Matt Black	A.MIG 064 NATO Green	A.MIG 085 NATO Brown	A.MIG 085 Desert Sand
A.MIG 095 Crystal Periscope Green	A.MIG 081 US Olive Drab	A.MIG 005 Dunkelgelbe Shive	

## APPLYING DECALS

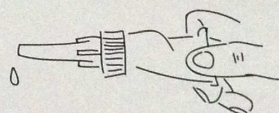
1. Clean the model surface with a wet cloth.
2. Cut out each decal design from sheet, and dip it in tepid water for 15-20 sec.
3. Hold the backing sheet edge and slide decal onto the model.
4. Move decal into position by wetting decal with finger.
5. Press decal gently down with a soft cloth until excess water and air bubbles are gone.



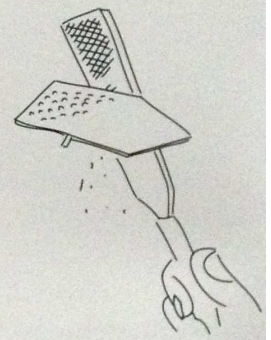
## REMOVING PE



Be careful not to hurt when removing PE parts.

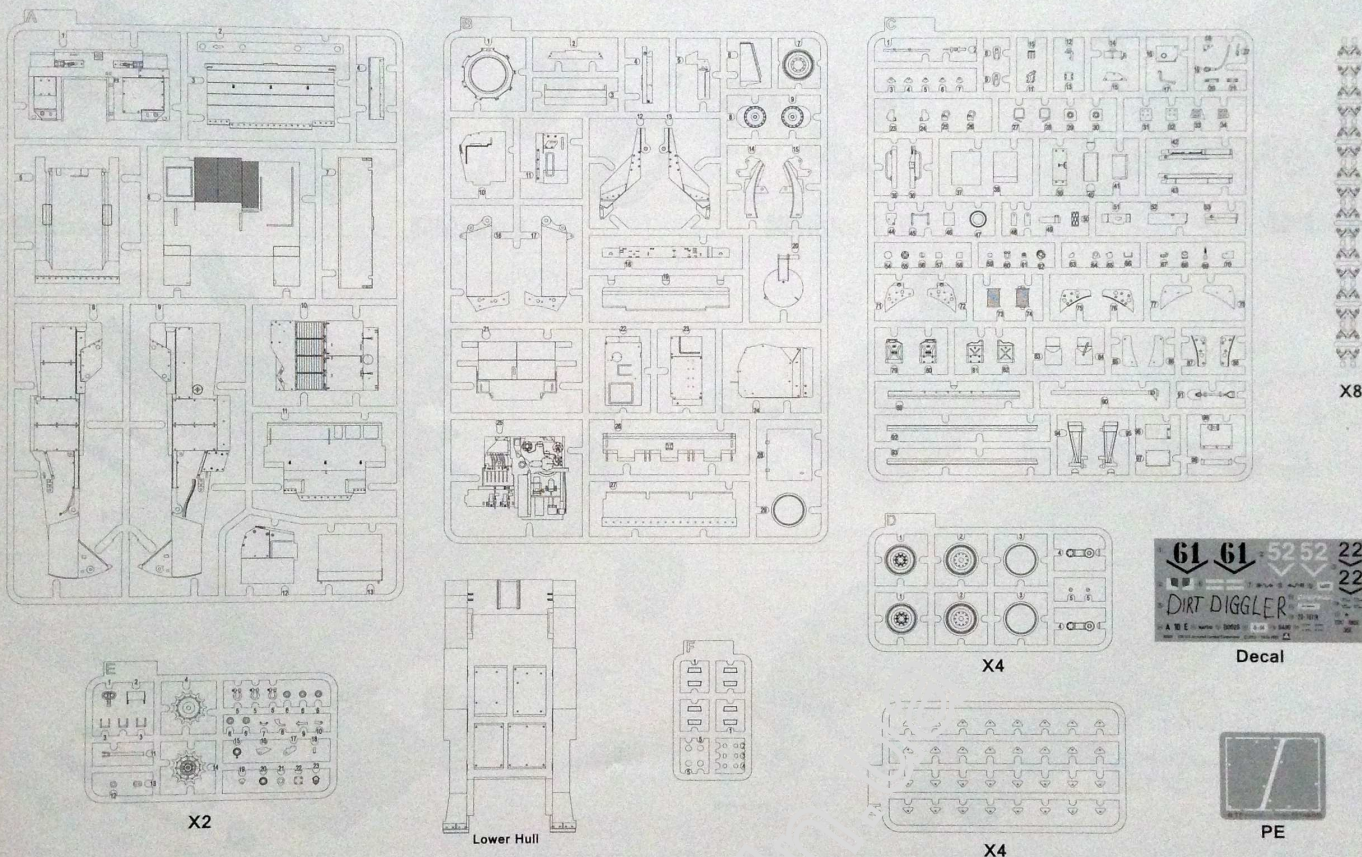


Secure using instant glue (not included).



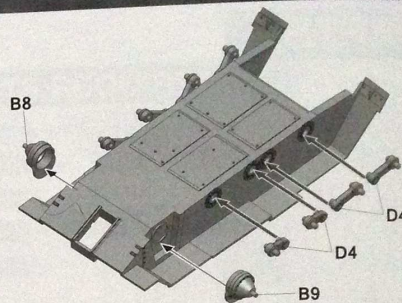
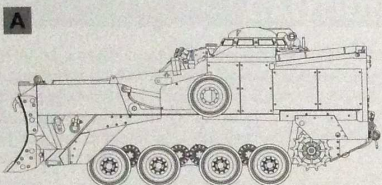
Finish using file.

# PARTS

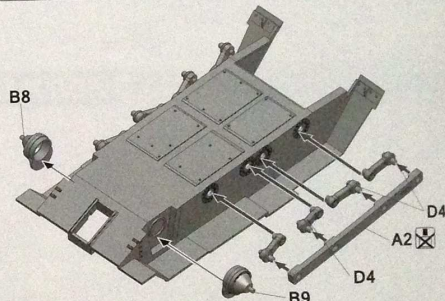
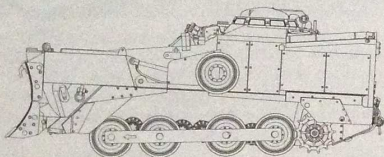


2

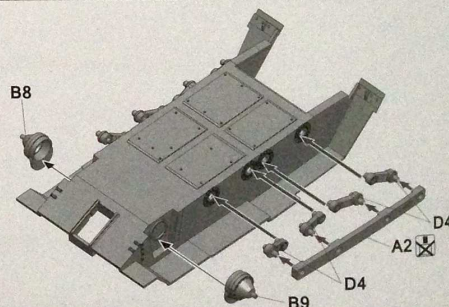
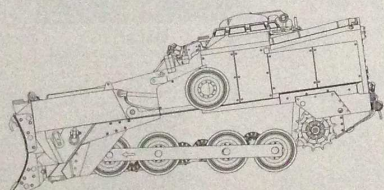
1



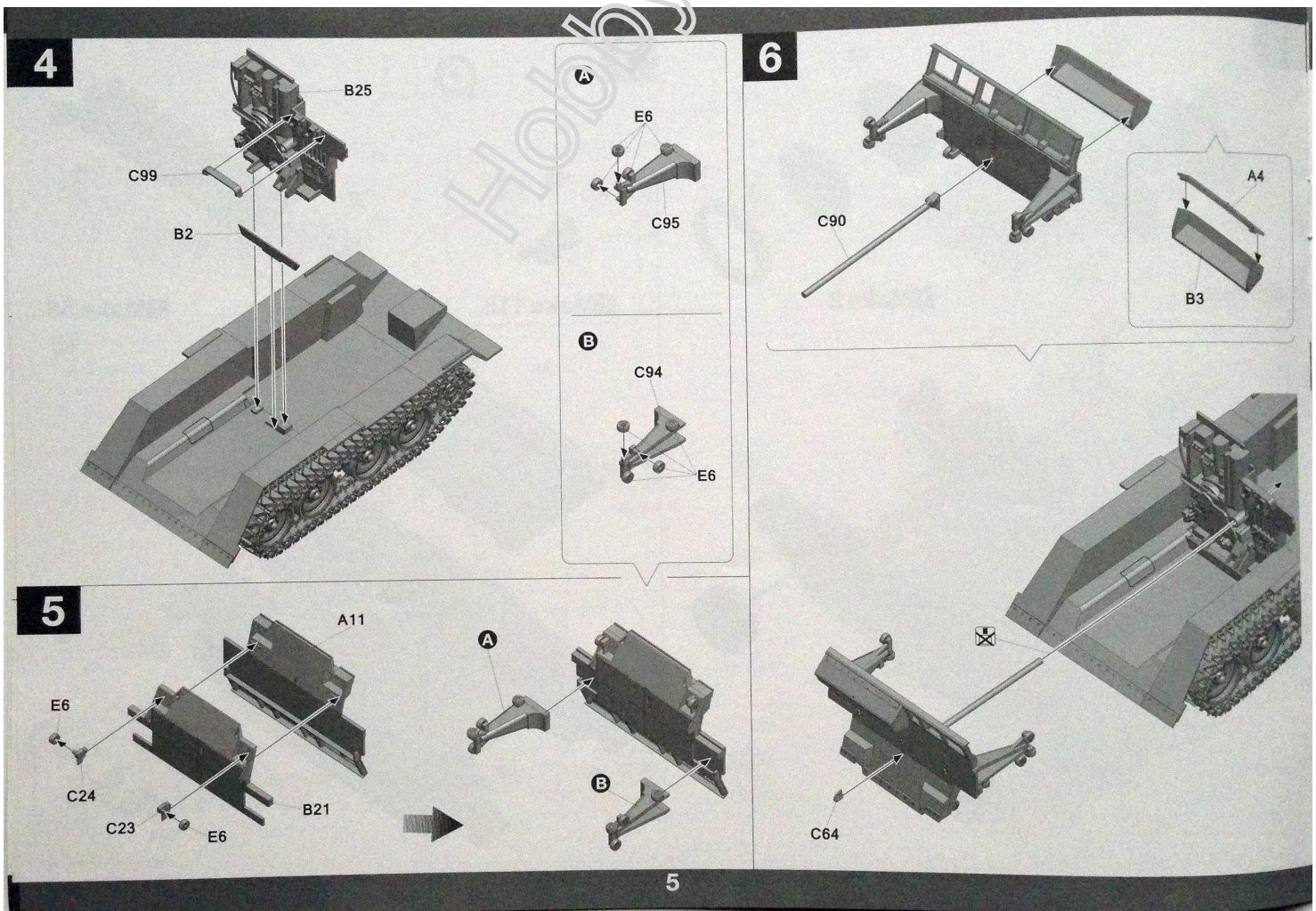
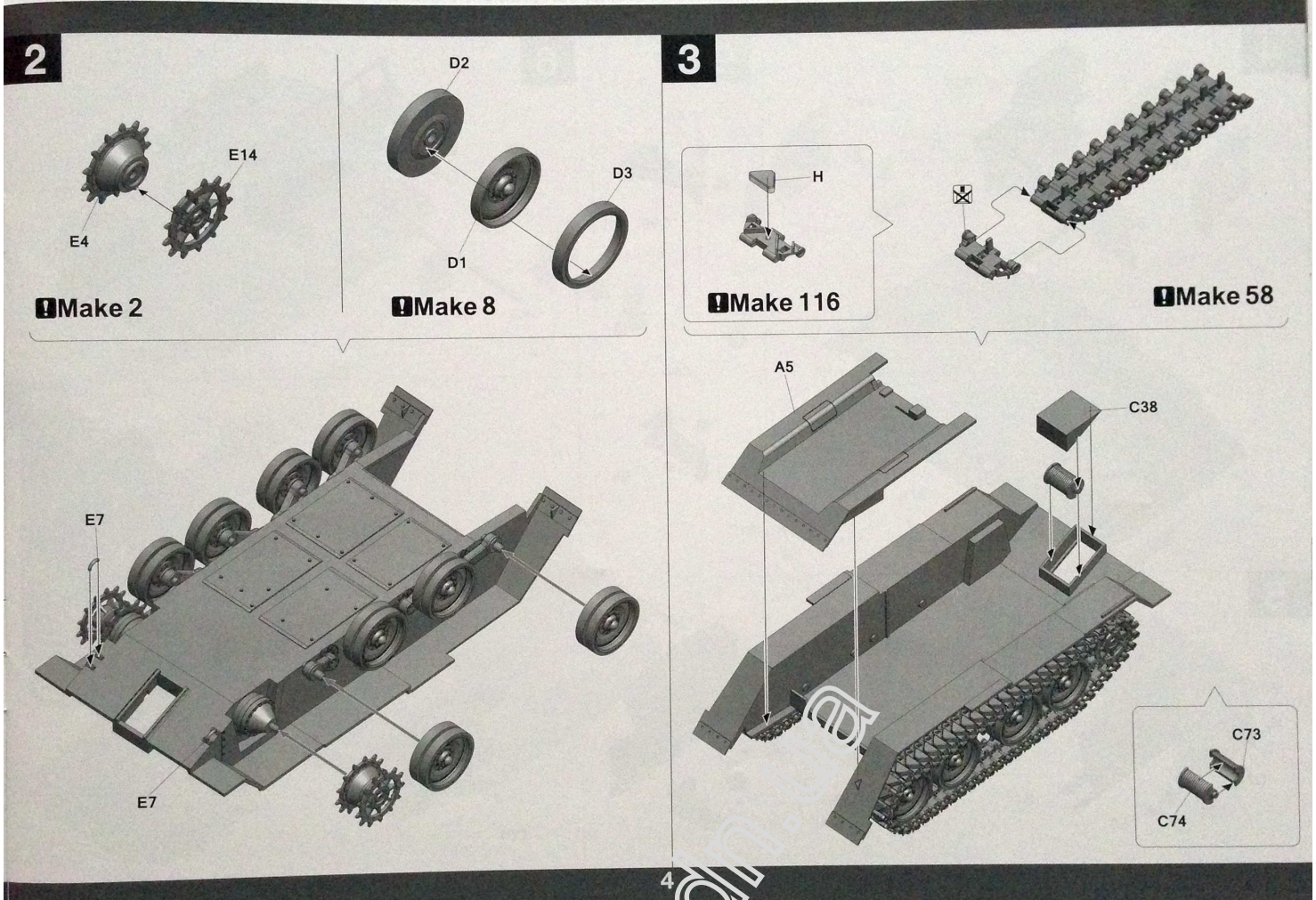
B

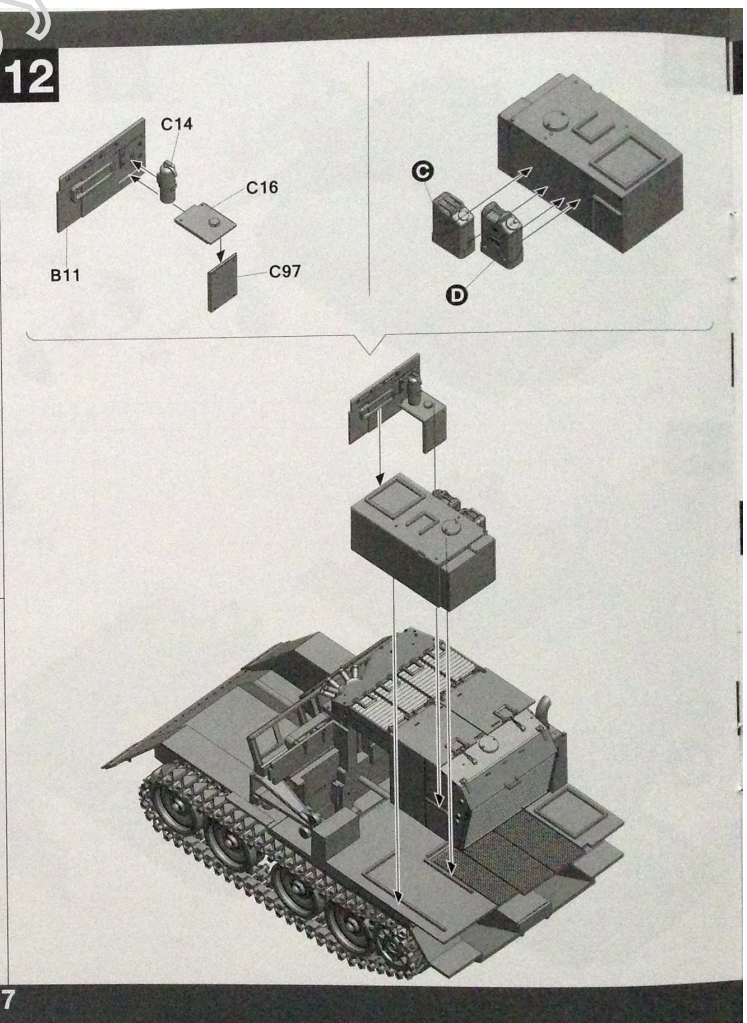
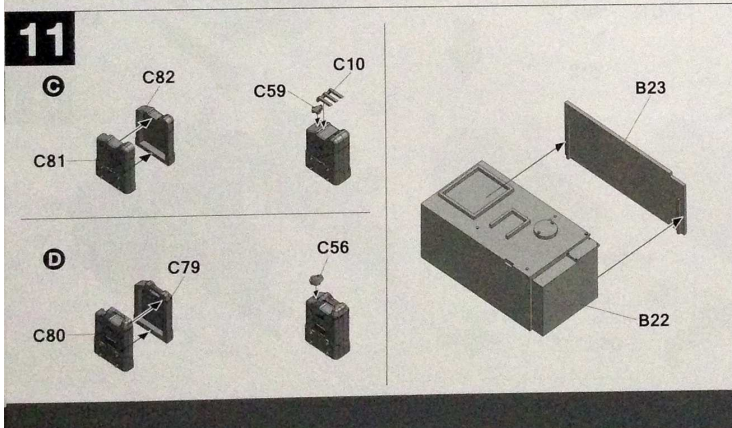
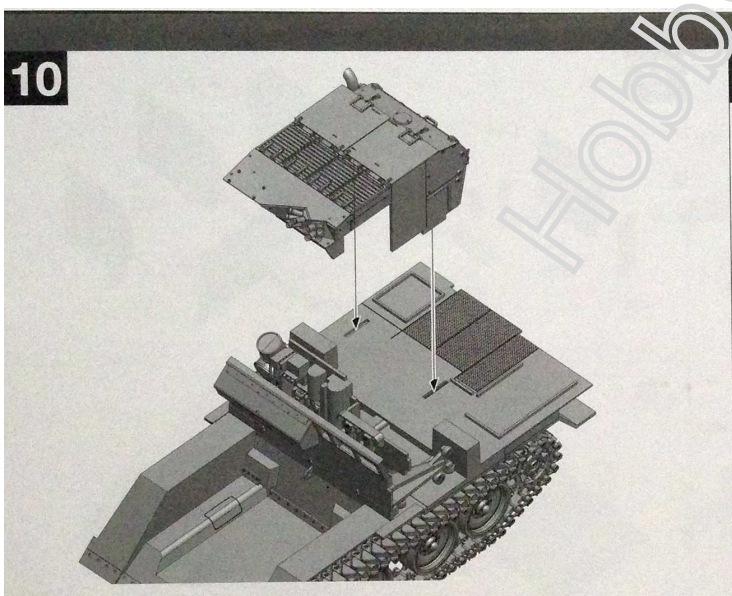
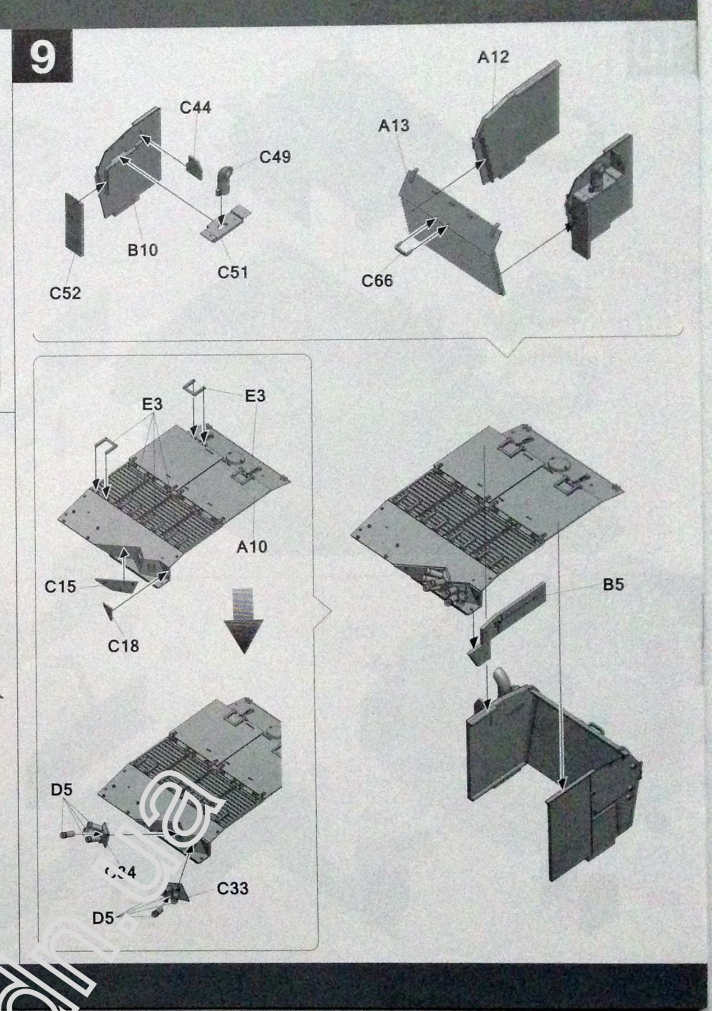
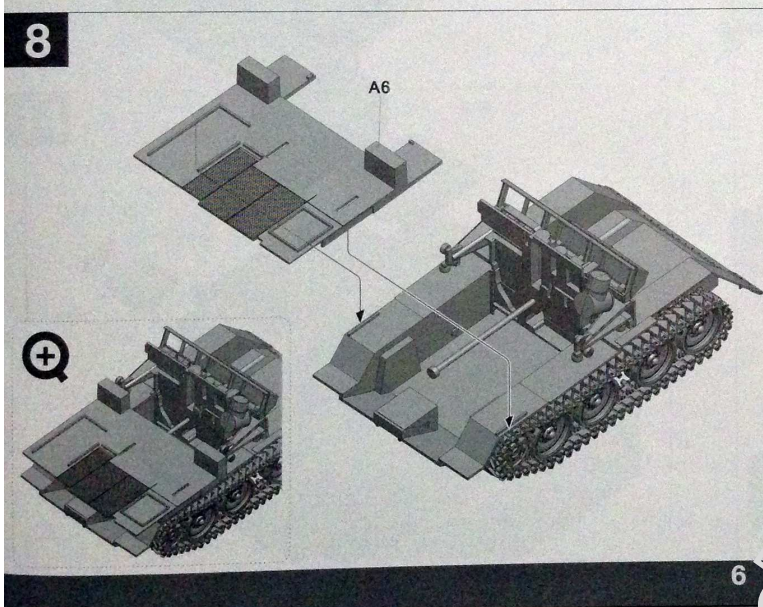
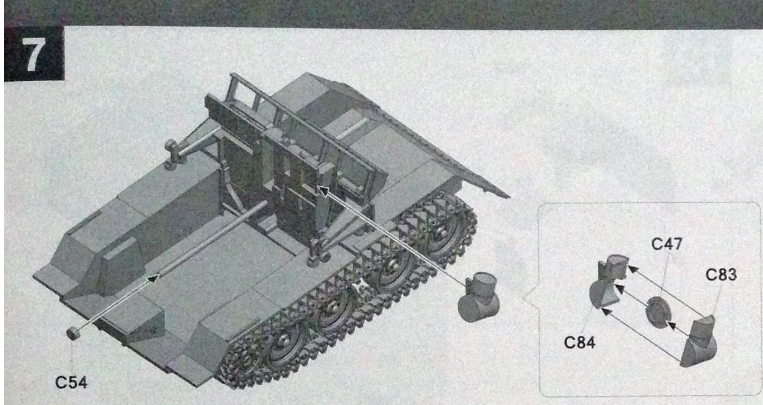


C

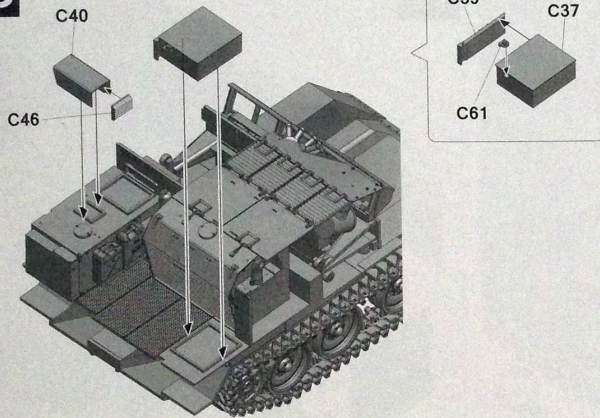


3

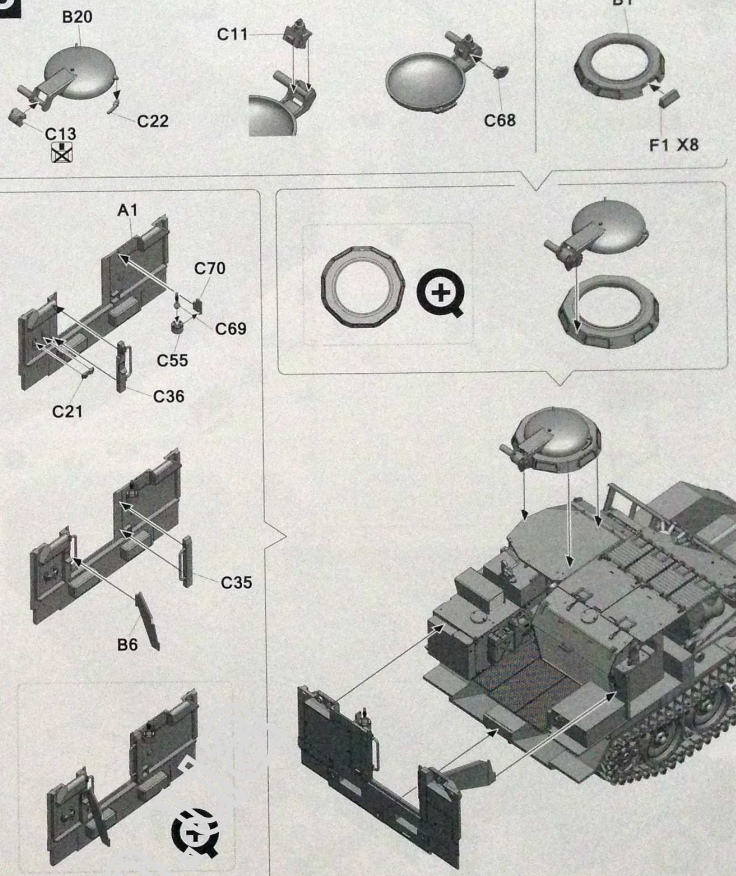




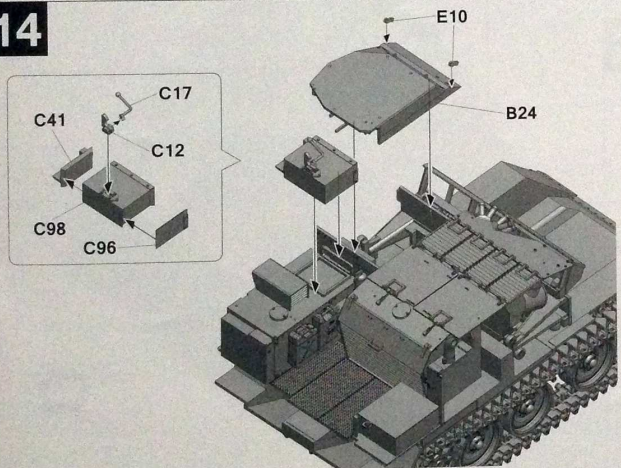
13



15

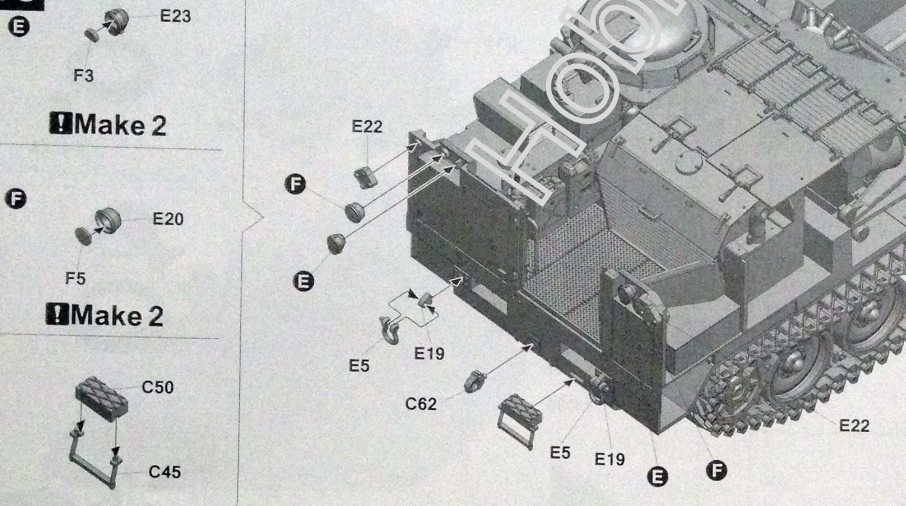


14

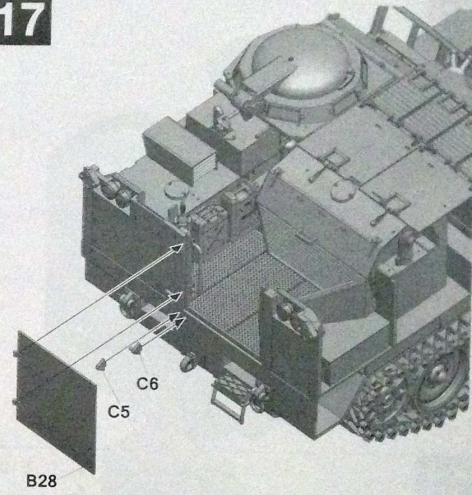


8

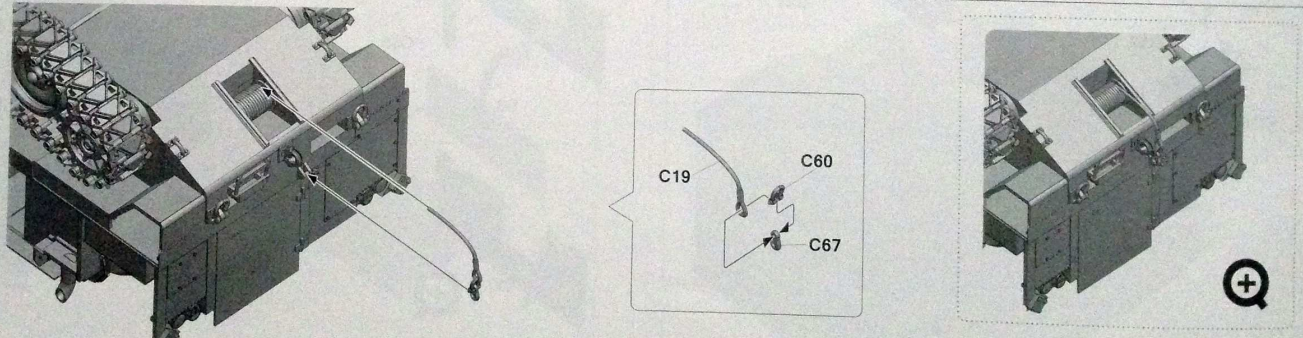
16



17

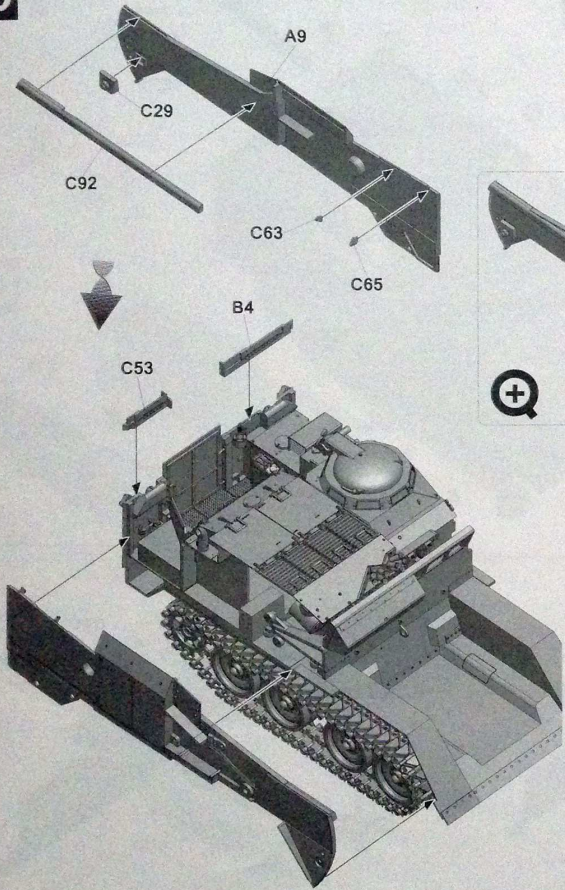


18

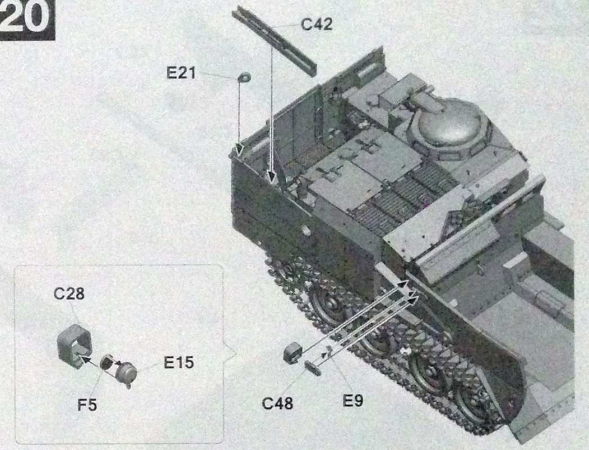


9

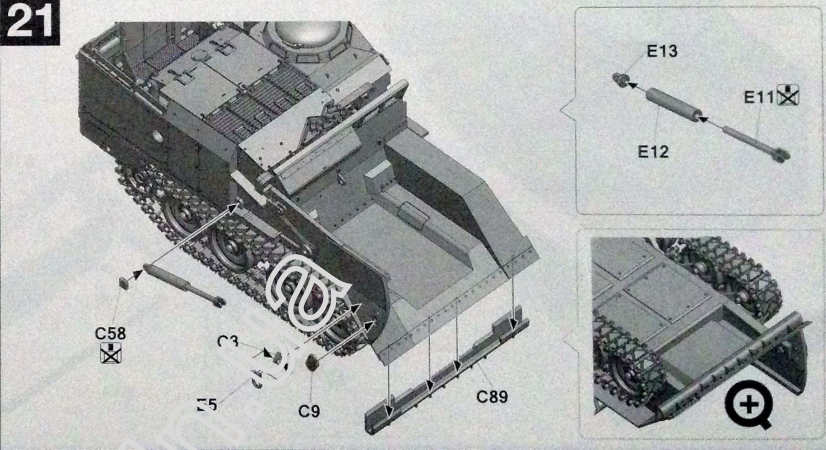
19



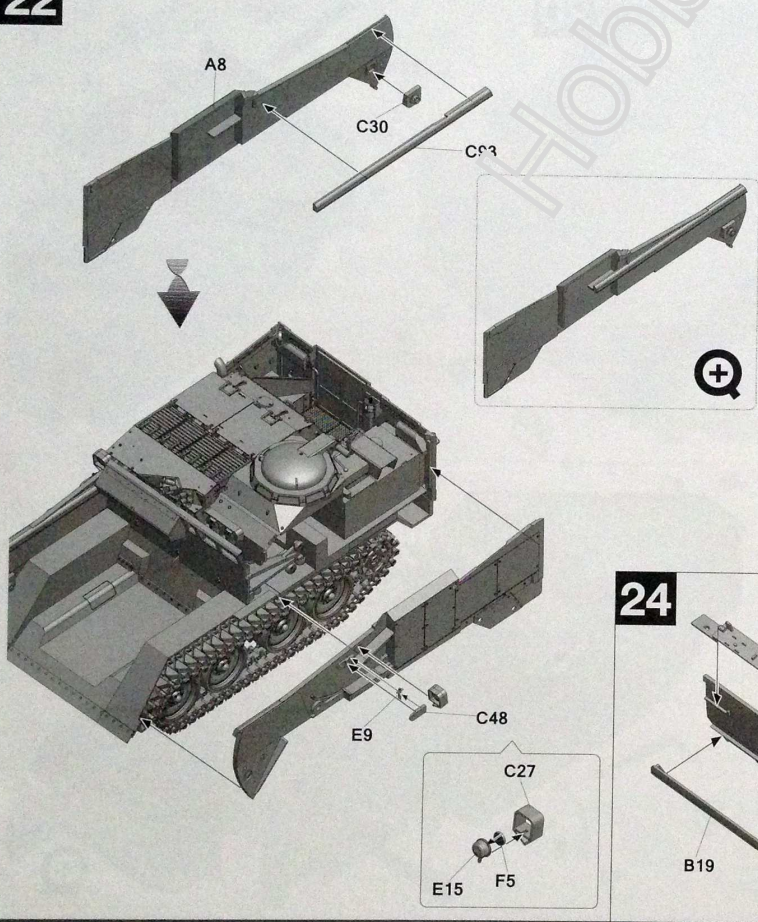
20



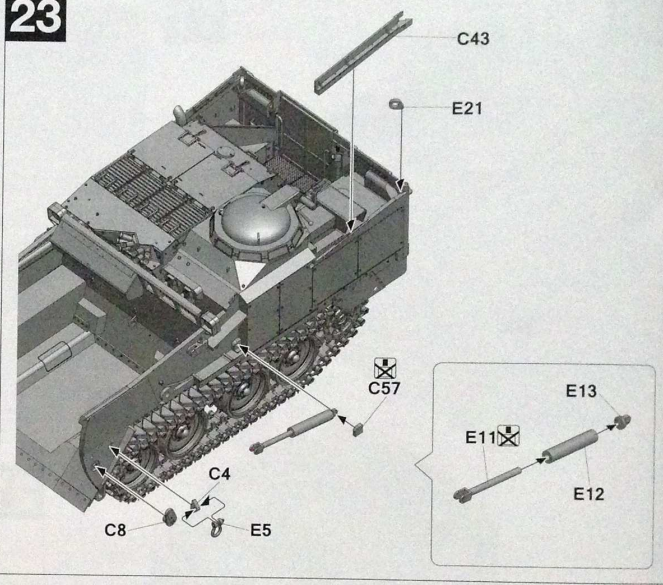
21



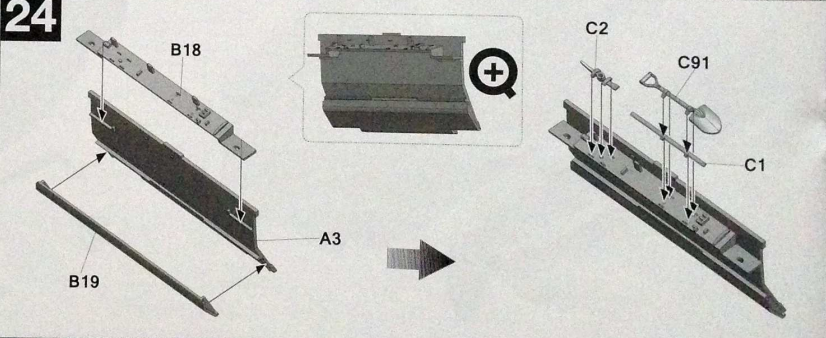
22



23



24

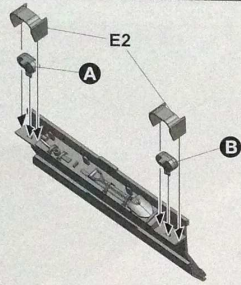


25

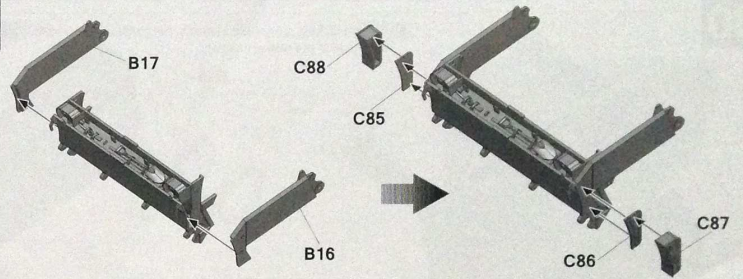
A



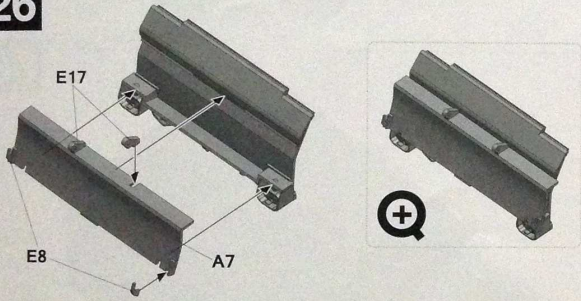
B



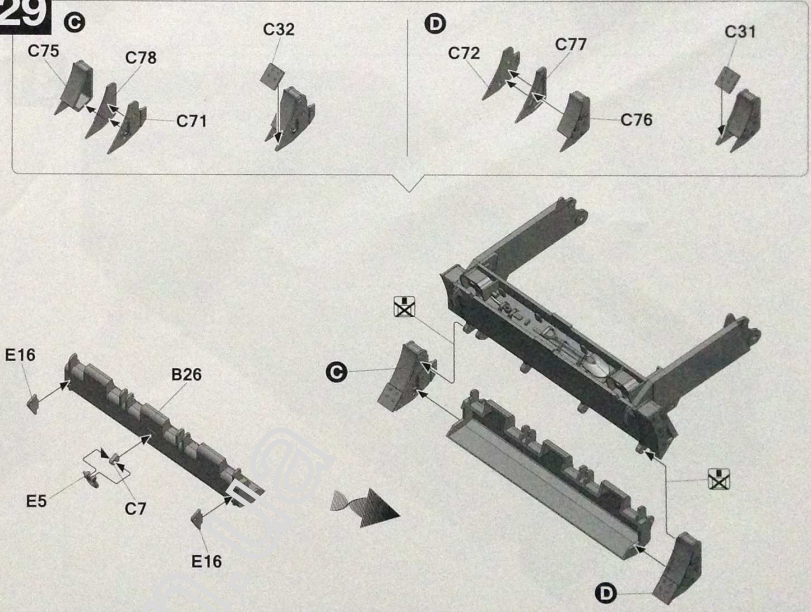
28



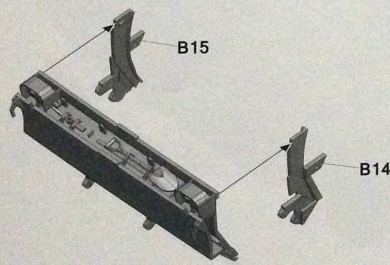
26



29

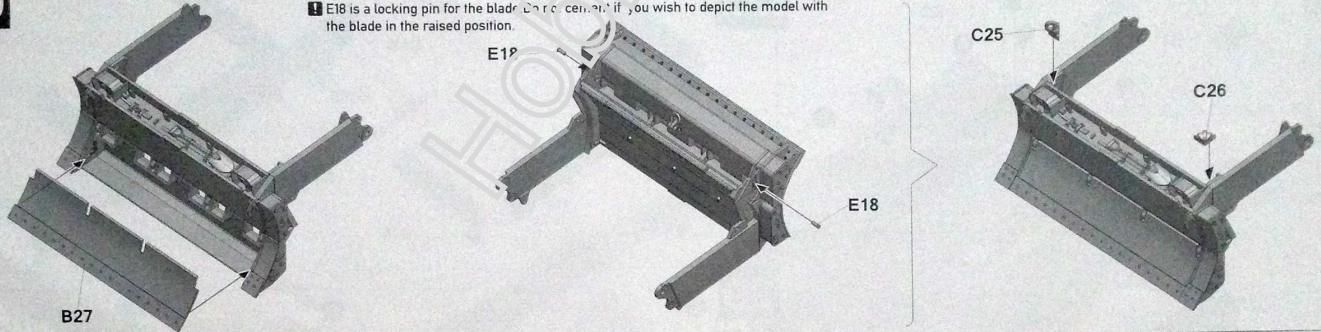


27

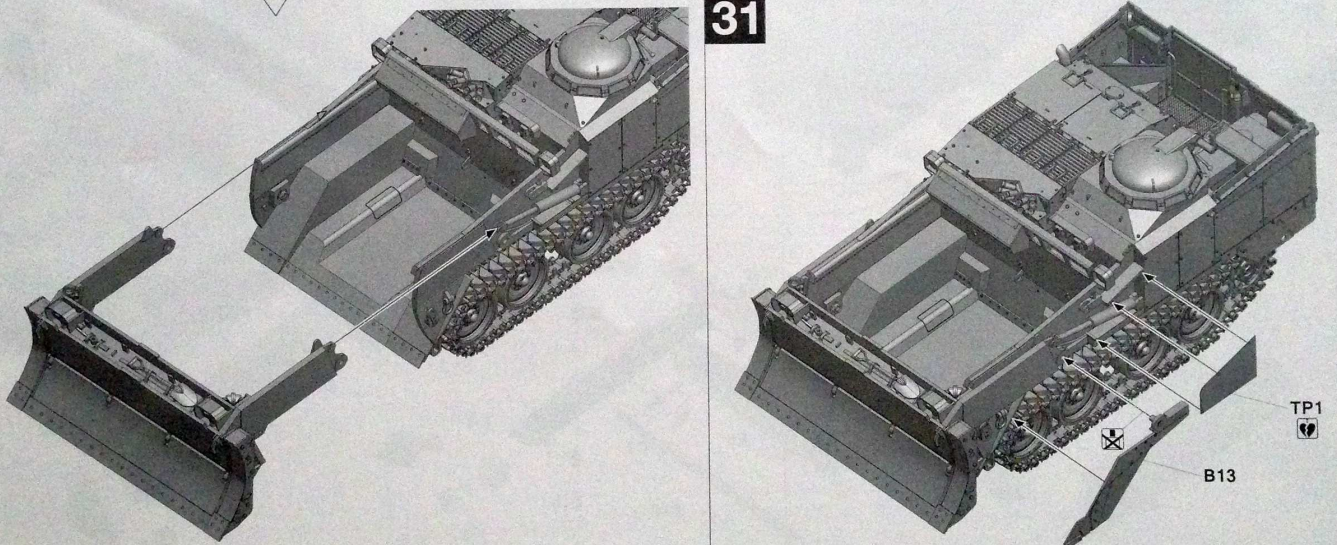


30

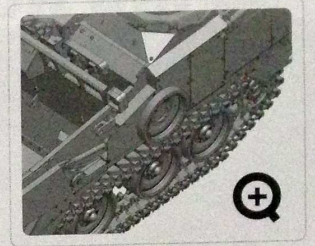
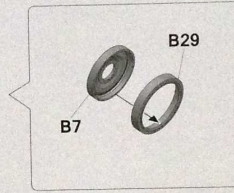
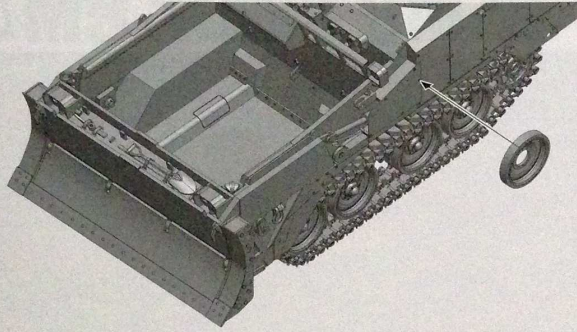
E18 is a locking pin for the blade. Do not cement it if you wish to depict the model with the blade in the raised position.



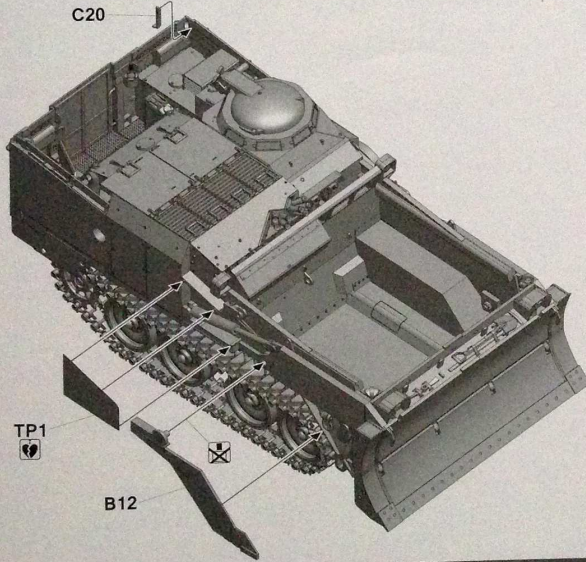
31



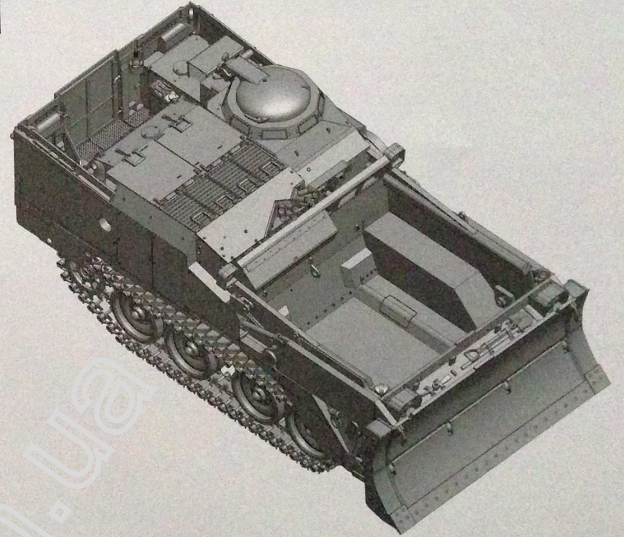
32



33



34



14

03.03.2020



# M9 ACE

Color info and profiles by



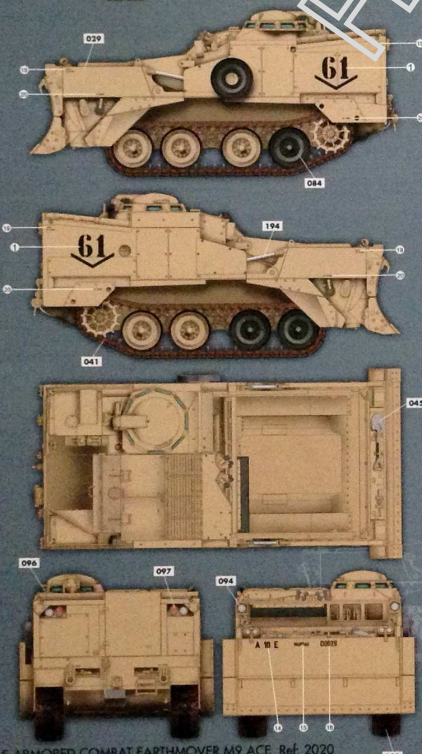
Color info and profiles by



## Painting and Marking Guide

U.S. ARMY M9 ACE

- AMIG 033 Rubber-Black
- AMIG 041 Dark Rust
- AMIG 045 Gun Mount
- AMIG 056 Crystal Peridot Green
- AMIG 097 Crystal Orange
- AMIG 194 Reddish Brown
- AMIG 078 Dark Green
- AMIG 084 NATO Green



TAKOM U.S. ARMORED COMBAT EARTHMOVER M9 ACE Ref: 2020

03.03.2020

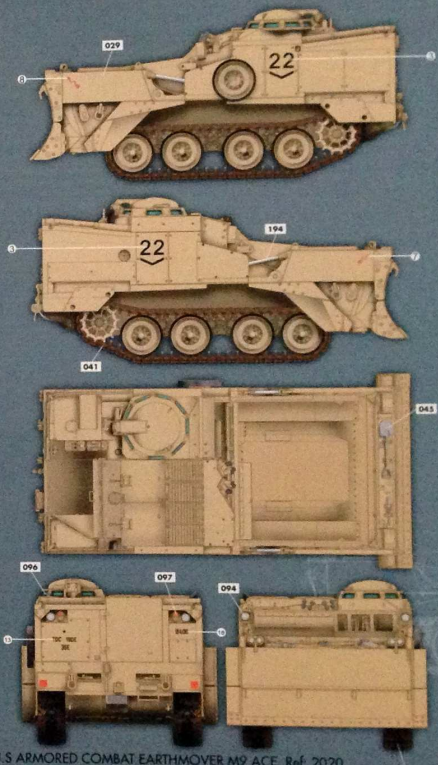


# M9 ACE

## Painting and Marking Guide

U.S. ARMY M9 ACE, 20th Engineers, deployed in Iraq

- AMIG 033 Rubber-Black
- AMIG 041 Dark Rust
- AMIG 045 Gun Mount
- AMIG 056 Crystal Peridot Green
- AMIG 097 Crystal Orange
- AMIG 194 Reddish Brown
- AMIG 078 Dark Green
- AMIG 084 NATO Green



TAKOM U.S. ARMORED COMBAT EARTHMOVER M9 ACE Ref: 2020



# M9 ACE

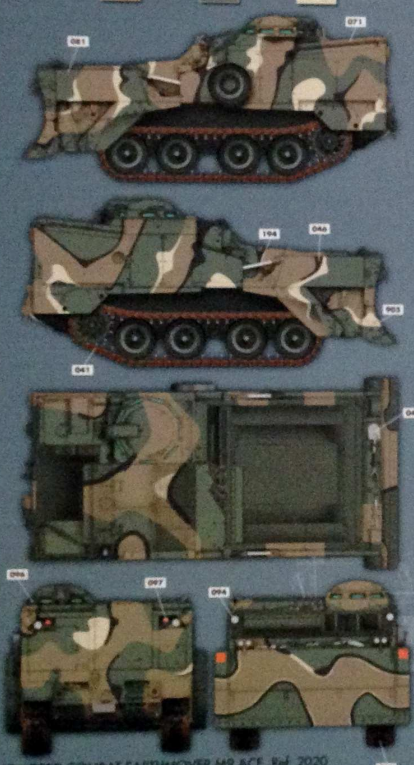
Color info and profiles by



## Painting and Marking Guide

South Korean Army M9 ACE

A.MIG 033 Rubber/Tire	A.MIG 041 Dark Red	A.MIG 043 Gun Metal	A.MIG 044 Crystal Glass
A.MIG 096 Crystal Parrot Green	A.MIG 097 Crystal Orange	A.MIG 194 Aluminium	A.MIG 046 Matt Black
A.MIG 071 Olive	A.MIG 081 US Olive Drab	A.MIG 085 Highlight Olive	



TAKOM U.S ARMORED COMBAT EARTHMOVER M9 ACE Ref. 2020

# M9 ACE

Color info and profiles by



## Painting and Marking Guide

South Korean Marines M9 ACE

A.MIG 033 Rubber/Tire	A.MIG 041 Dark Red	A.MIG 043 Gun Metal	A.MIG 044 Crystal Glass
A.MIG 096 Crystal Parrot Green	A.MIG 097 Crystal Orange	A.MIG 194 Aluminium	A.MIG 046 Matt Black
A.MIG 071 Olive	A.MIG 081 US Olive Drab	A.MIG 085 Highlight Olive	



TAKOM U.S ARMORED COMBAT EARTHMOVER M9 ACE Ref. 2020

# M9 ACE

Color info and profiles by



## Painting and Marking Guide

U.S ARMY M9 ACE in NATO Camouflage

A.MIG 033 Rubber/Tire	A.MIG 041 Dark Red	A.MIG 043 Gun Metal	A.MIG 044 Crystal Glass
A.MIG 096 Crystal Parrot Green	A.MIG 097 Crystal Orange	A.MIG 194 Aluminium	A.MIG 046 Matt Black
A.MIG 084 NATO Green	A.MIG 085 NATO Brown		



TAKOM U.S ARMORED COMBAT EARTHMOVER M9 ACE Ref. 2020

# M9 ACE

Color info and profiles by



## Painting and Marking Guide

U.S ARMY M9 ACE "Duty Digler", deployed during the Invasion of Iraq

A.MIG 033 Rubber/Tire	A.MIG 041 Dark Red	A.MIG 043 Gun Metal	A.MIG 044 Crystal Glass
A.MIG 096 Crystal Parrot Green	A.MIG 097 Crystal Orange	A.MIG 194 Aluminium	A.MIG 046 Matt Black
A.MIG 084 NATO Green	A.MIG 085 NATO Brown		



TAKOM U.S ARMORED COMBAT EARTHMOVER M9 ACE Ref. 2020

# M9 ACE

Color info and profiles by



## Painting and Marking Guide

TAIWAN ARMY M9 ACE

- AJMG 033** Rubber&Tires
- AJMG 043** Dark Rust
- AJMG 045** Gun Metal
- AJMG 056** Crystal Glass
- AJMG 096** Crystal Periscope Green
- AJMG 097** Crystal Orange
- AJMG 194** Aluminium
- AJMG 046** Matt Black
- AJMG 084** NATO Green
- AJMG 085** NATO Brown



TAKOM U.S ARMORED COMBAT EARTHMOVER M9 ACE Ref. 2020

# M9 ACE

Color info and profiles by



## Painting and Marking Guide

U.S ARMY M9 ACE, deployed in Iraq war.

- AJMG 033** Rubber&Tires
- AJMG 043** Dark Rust
- AJMG 045** Gun Metal
- AJMG 056** Crystal Glass
- AJMG 096** Crystal Periscope Green
- AJMG 097** Crystal Orange
- AJMG 194** Aluminium
- AJMG 084** NATO Green



TAKOM U.S ARMORED COMBAT EARTHMOVER M9 ACE Ref. 2020

Hobby.dp.ua