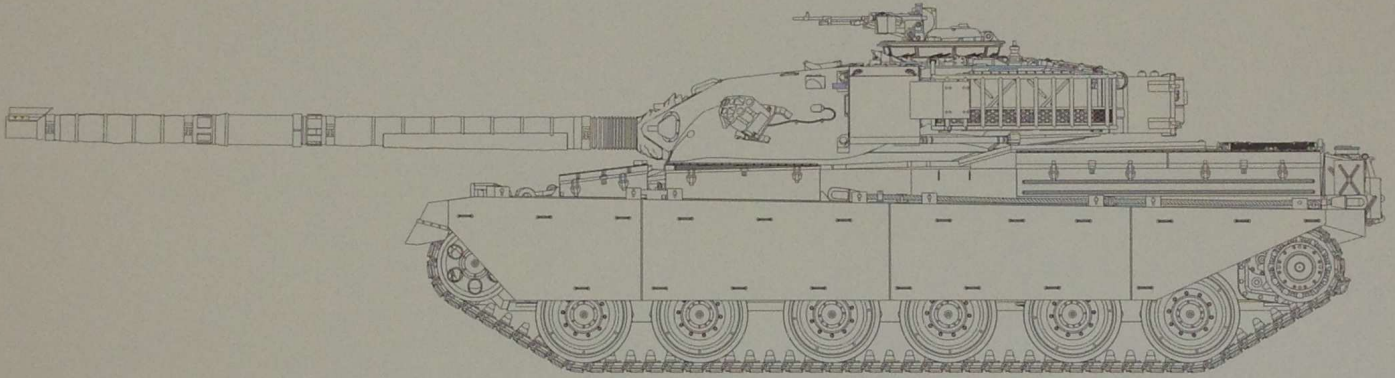


BRITISH MAIN BATTLE TANK

CHIEFTAIN MK.5/5p



Development of what was to become the Chieftain began in 1946 as the "Universal tank" concept, development was long and convoluted with many dead ends and radical concepts investigated along the way but the final result was the first true Main Battle Tank (MBT)

The Chieftain was a basically conventional design with an engine to the rear, central fighting compartment and forward centrally located driver's position. The vehicle was manned by a 4 man crew, Driver, Gunner, Loader and Commander. Several radical features did however make it into the final design. These included a reclined driving position which allowed for a lower silhouette and more steeply sloped frontal armour, an unexpected benefit of which was to give the driver a very comfortable bed! The Rifled L11 120mm gun was designed to use separate propellant and projectiles with all the explosive materials stored in refrigerated charge bins below the level of the turret ring to improve survivability. Both the turret front and hull forward of the turret were huge one piece castings which for many years were proof against any Russian Tank or artillery rounds. The L60 multi fuel Engine was yet another radical feature but sadly this proved to be Achilles heel of the Chieftain and led to its deserved reputation for unreliability. With a decent Diesel engine the Chieftain would have been a world beater.

The Mk 5 was the definitive Chieftain and incorporated improvements from previous Marks and extensive overseas testing. These included an improved commanders cupola, Upgraded NBC pack, Fire control system, Commanders and Gunners sights, increased ammunition storage and a thermal sleeve for the main armament. A 50 calibre ranging gun was used in the initial Mk 5. This version was mass produced for the British Army and an additional 900+ Chieftains of this build standard were also exported to Iran as the Mk 5P. Later Mk 5s had the ranging gun removed and a Laser sight installed and designated Mk 5L. The Chieftain was for many years the most powerful Tank in NATO if not the world and was rightly feared by the Soviet/Russians. Just how effective the Mk 5 could be was shown when a reduced Squadron of Kuwaiti Mk 5K's engaged a Battalion of Iraqi T 72's in the first Gulf war and destroyed at least 53 without loss. Before the Iraqis fled the battlefield. The Kuwaiti tanks then withdrew safely over the Saudi Border due to a lack of ammunition.

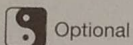
03.02.2027

by Richard Kent

READ BEFORE ASSEMBLY

CAUTION

- Read carefully and fully understand the instructions before commencing assembly. A supervising adult should also read the instructions if a child assembles the model.
- When assembling this kit, tools including knives used. Extra care should be taken to avoid personal injury.
- Keep out of reach of small children. Children must not be allowed to suck any part, or pull vinyl bag over their heads.



Optional



Instant Glue for Metal



Apply Decal



Do Not Cement



Drill



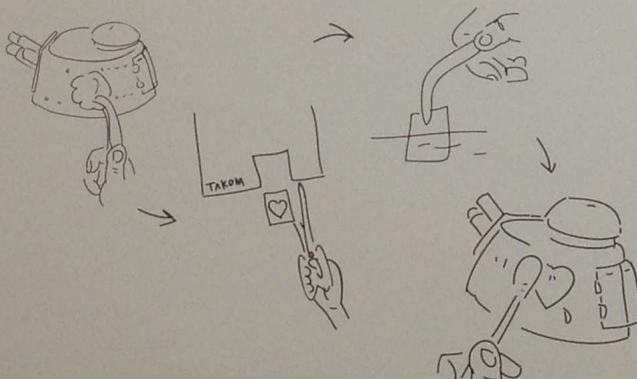
Be Careful

PAINTS REQUIRED

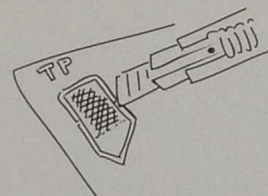
Color info and profiles by Mig Jimenez

APPLYING DECALS

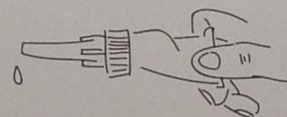
1. Clean the model surface with a wet cloth.
2. Cut out each decal design from sheet, and dip it in tepid water for 15-20 sec.
3. Hold the backing sheet edge and slide decal onto the model.
4. Move decal into position by wetting decal with finger.
5. Press decal gently down with a soft cloth until excess water and air bubbles are gone.



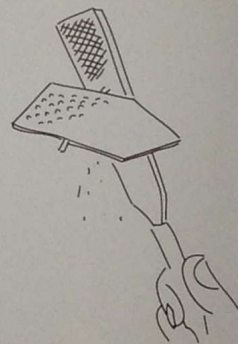
REMOVING PE



Be careful not to hurt when removing PE parts.

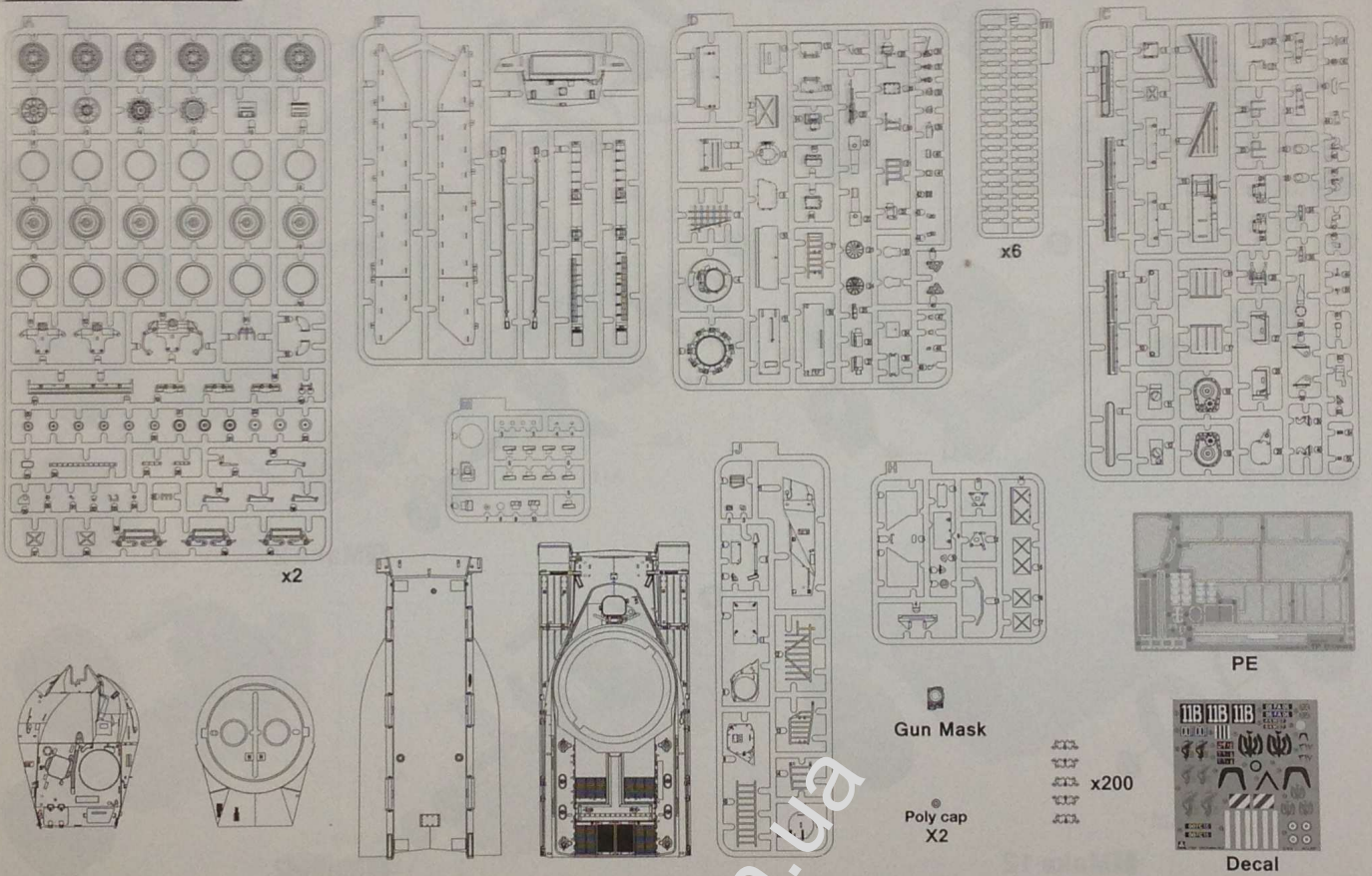


Secure using instant glue (not included).



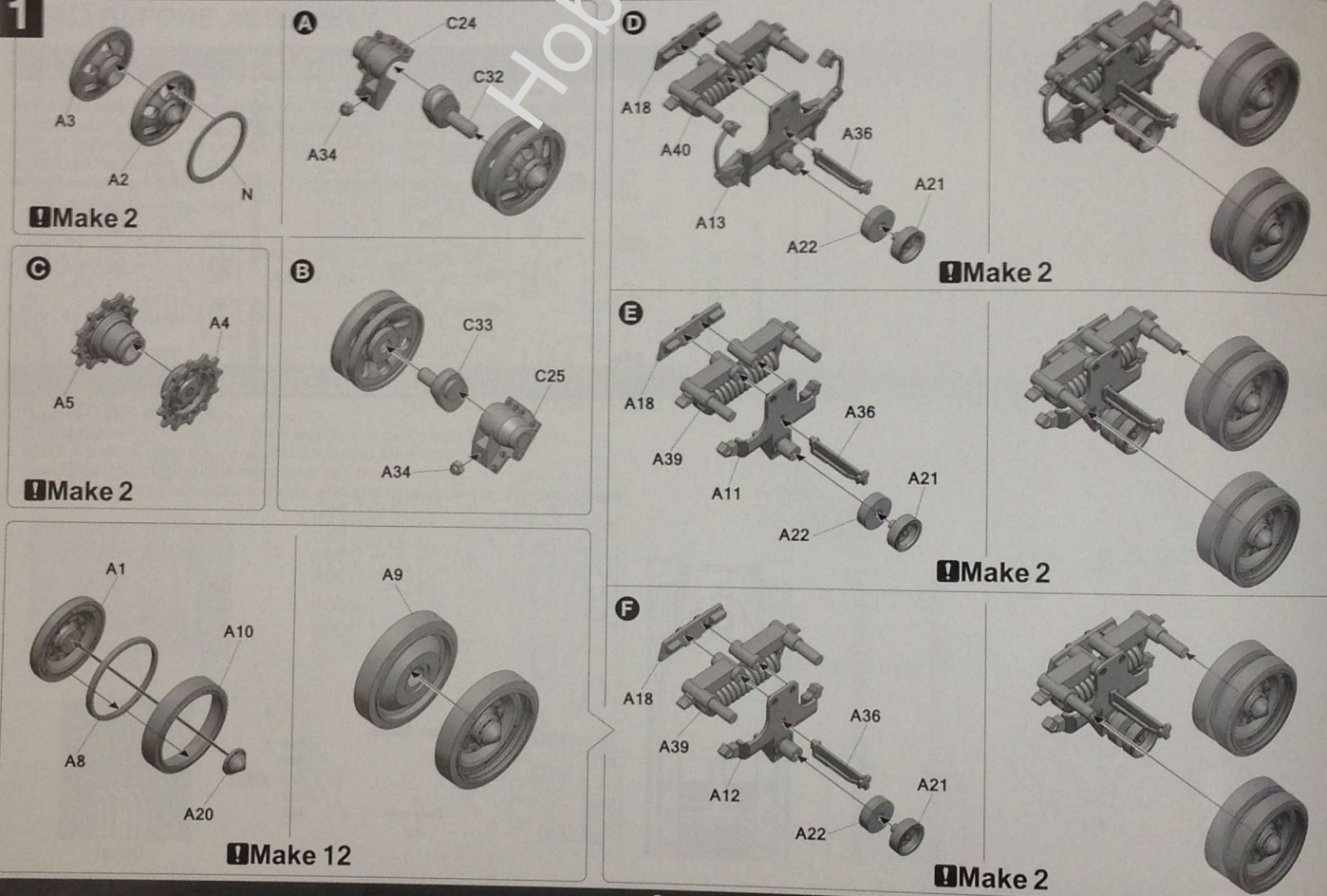
Finish using file.

PARTS

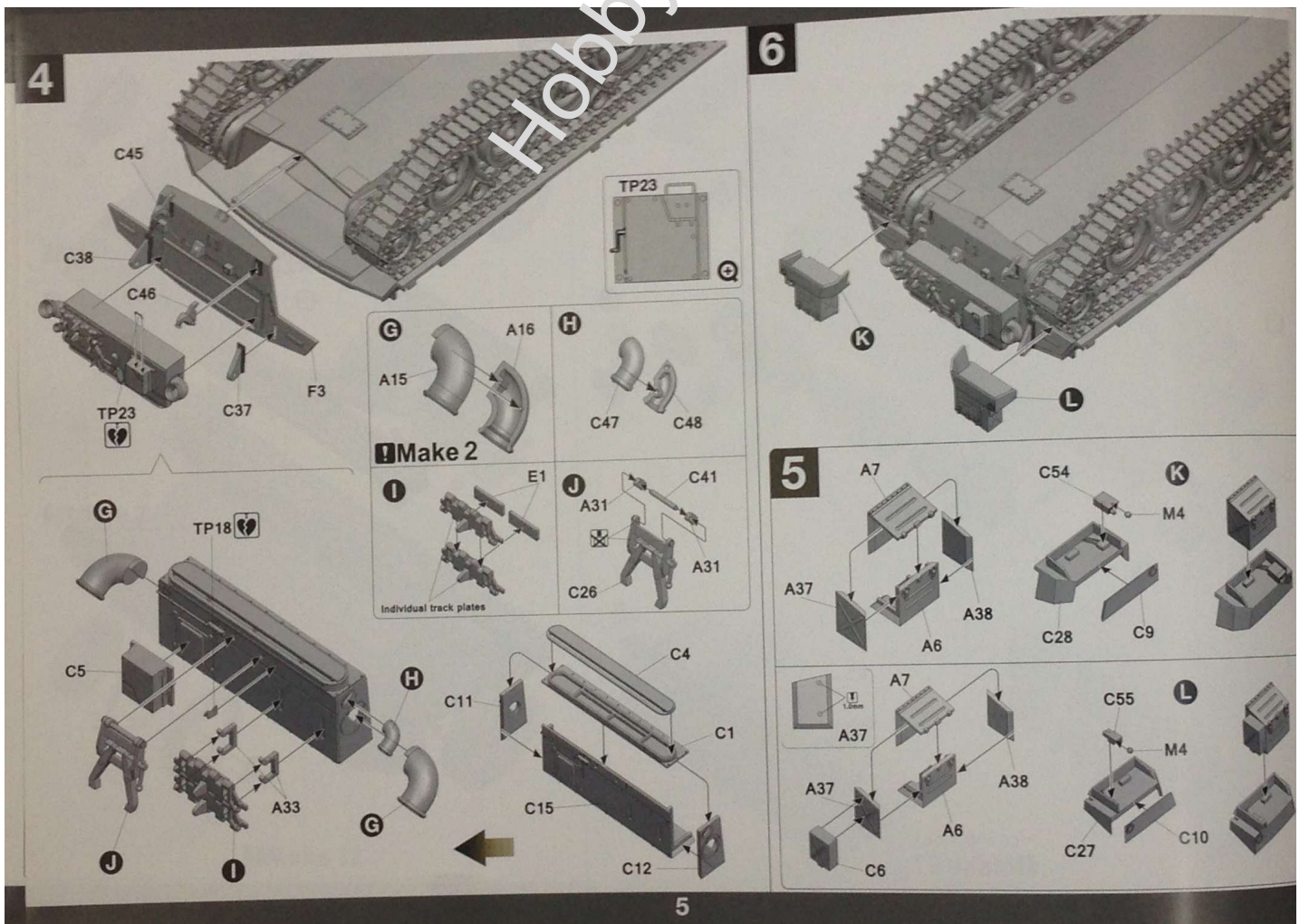
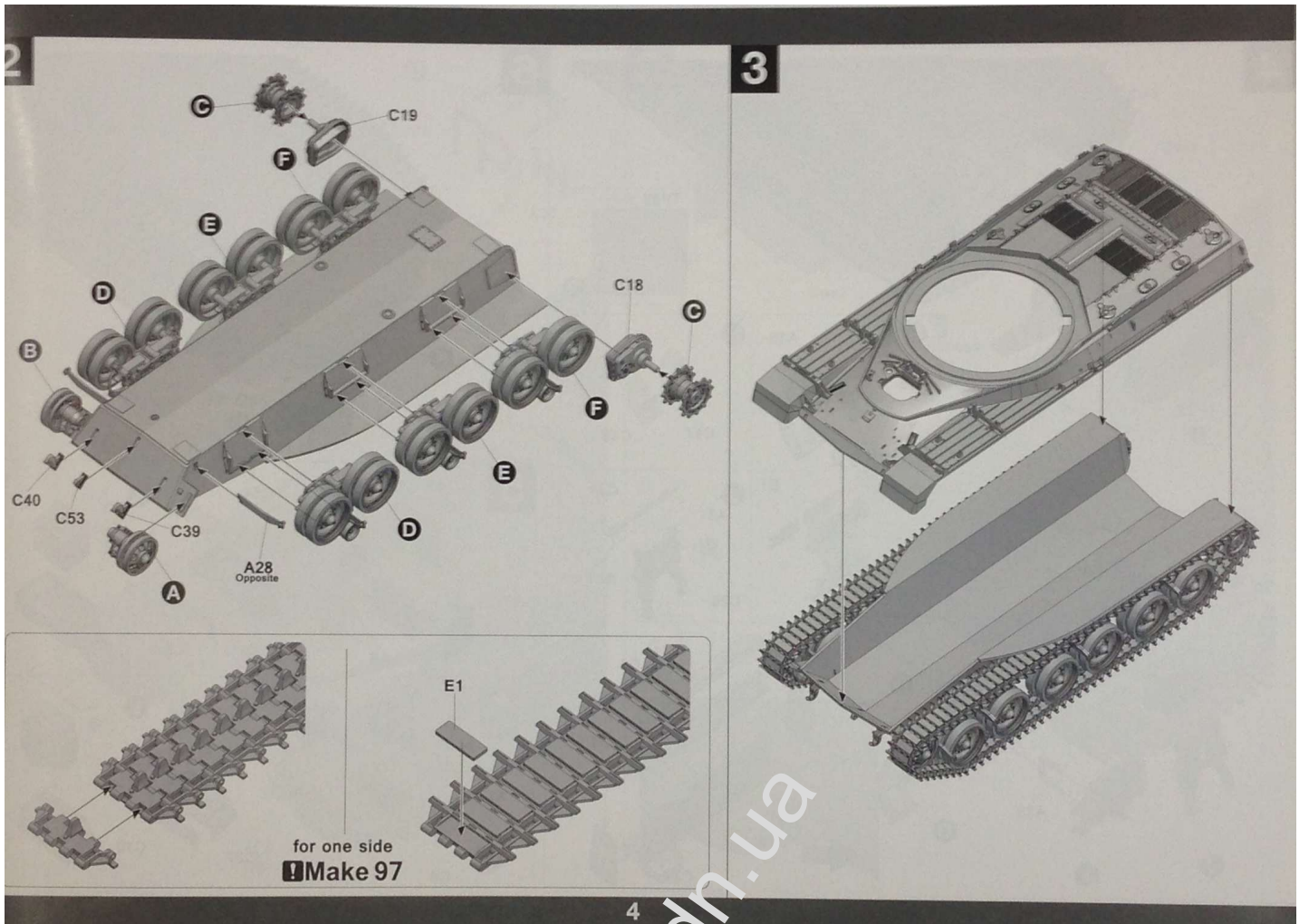


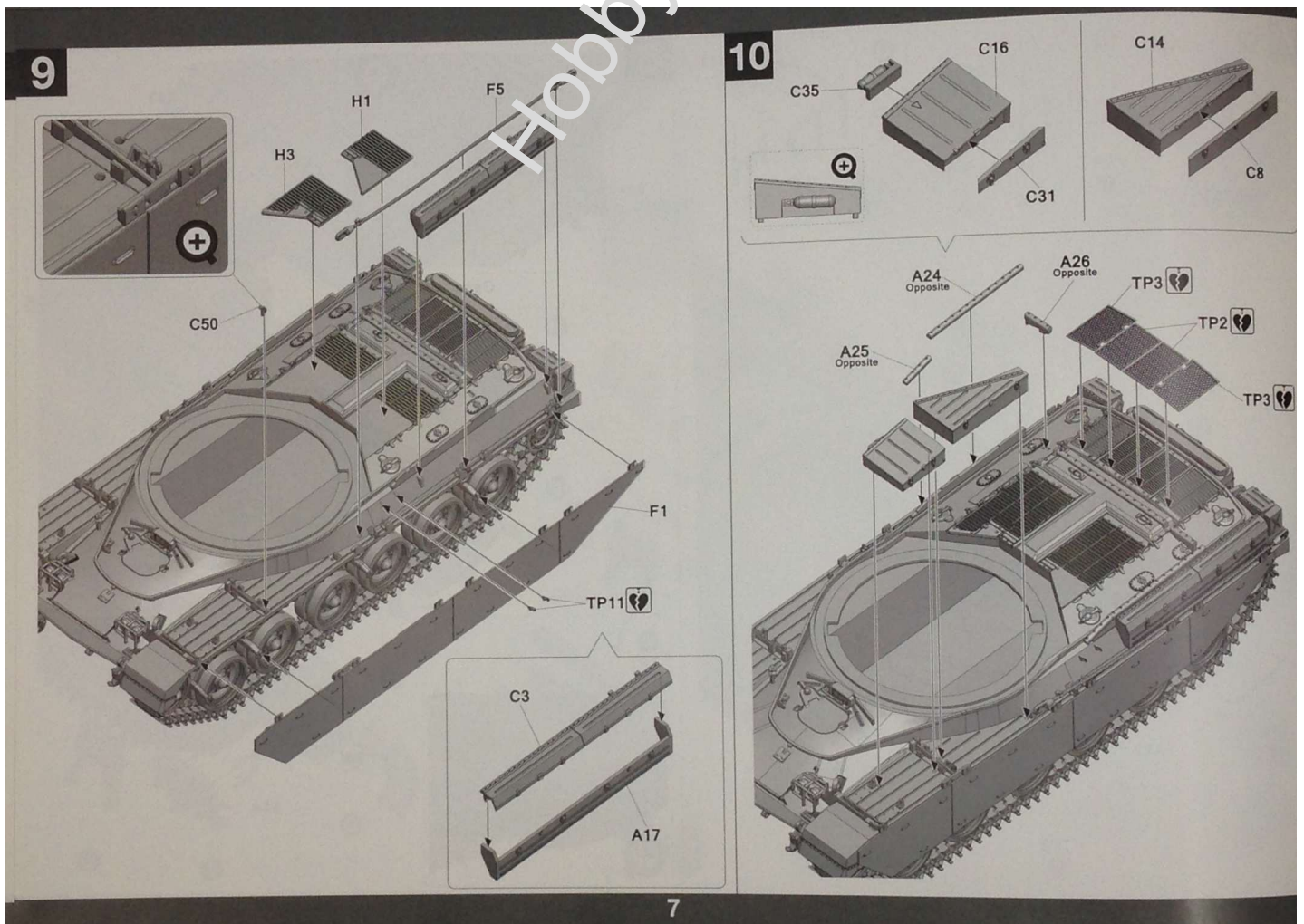
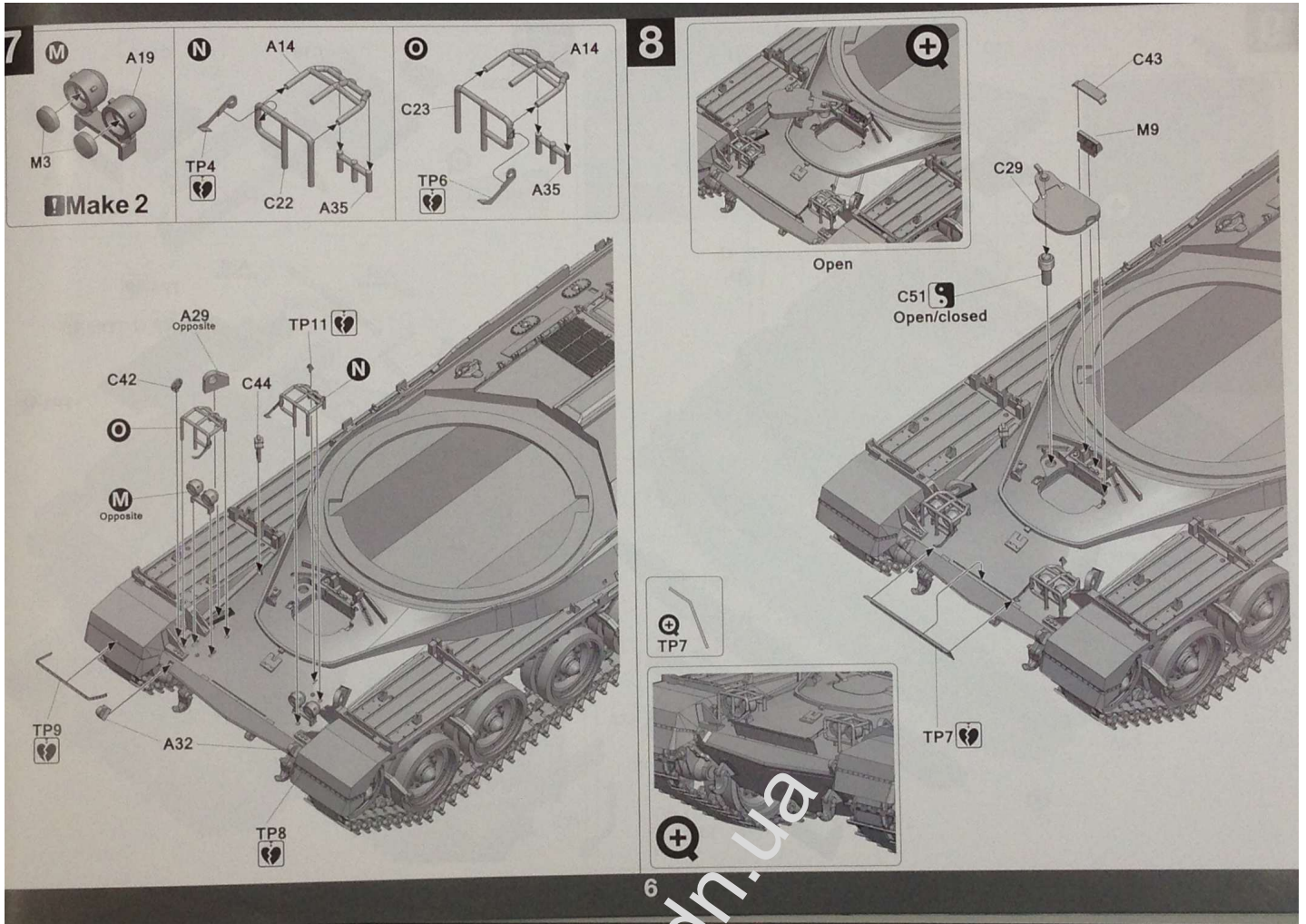
2

1

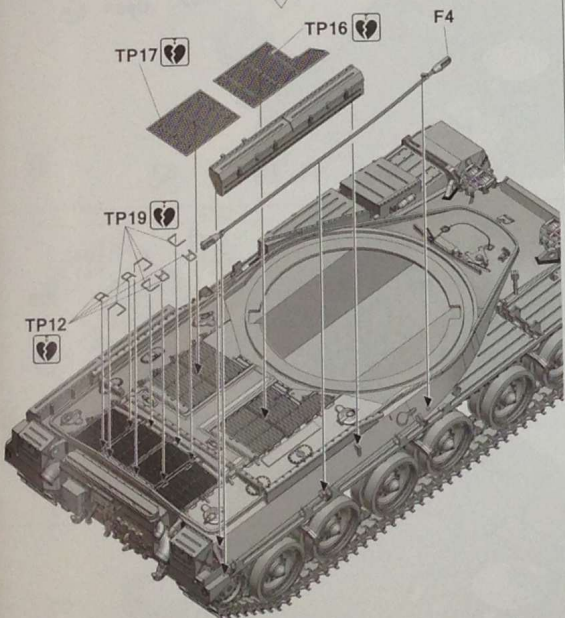
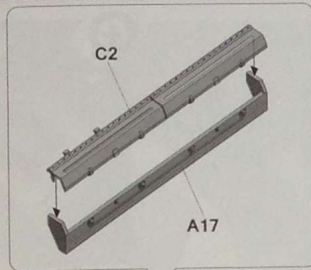


3

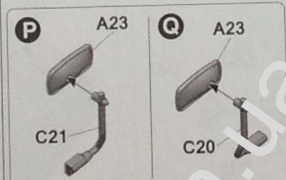
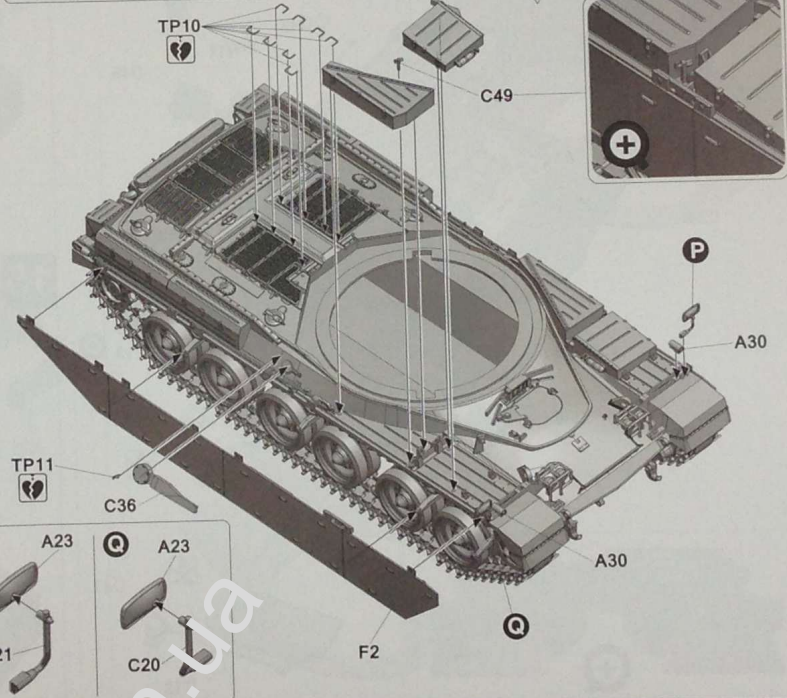
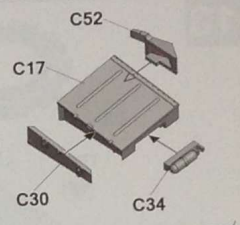
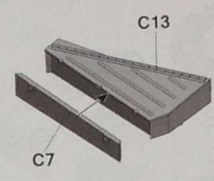
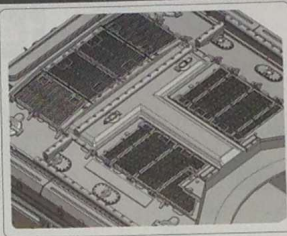




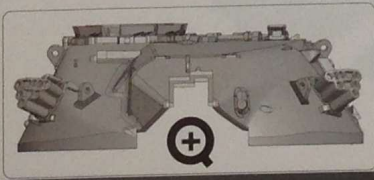
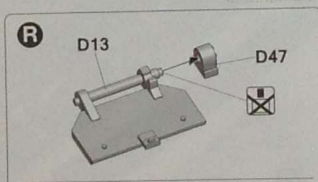
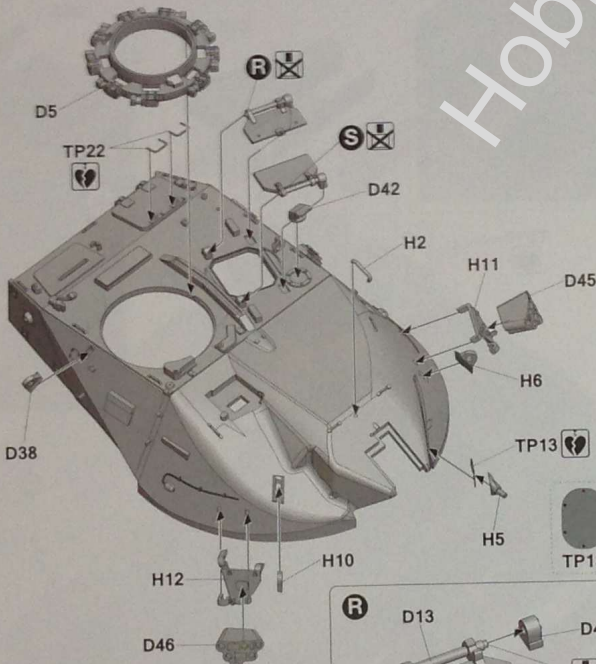
11



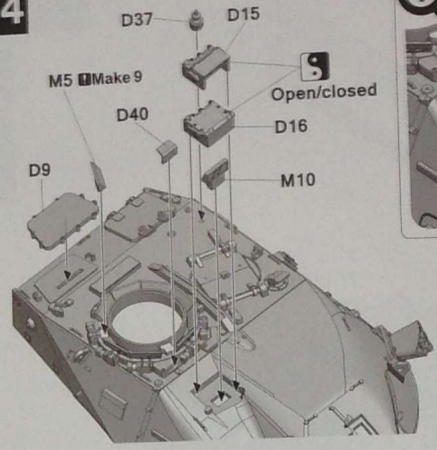
12



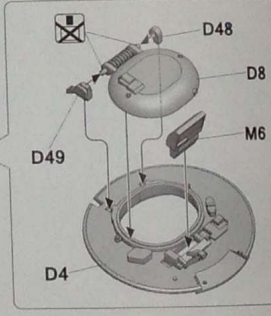
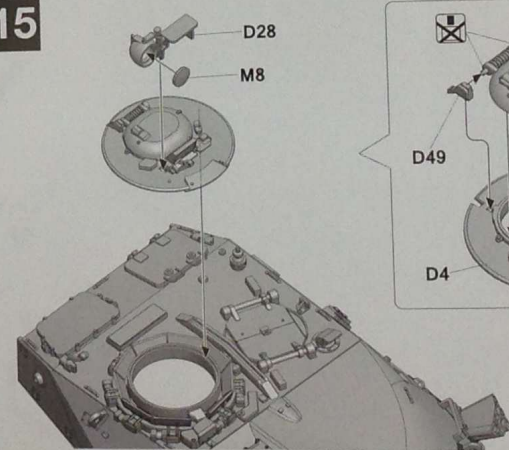
13



14

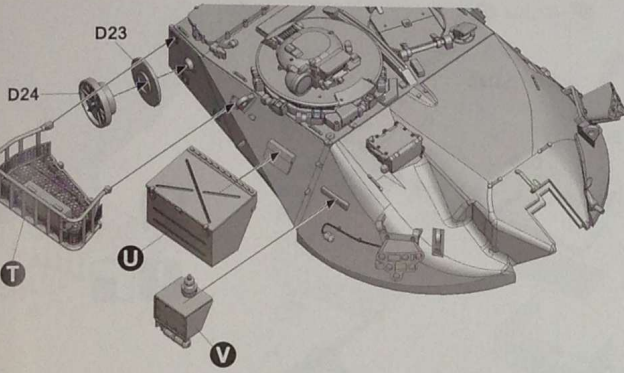


15

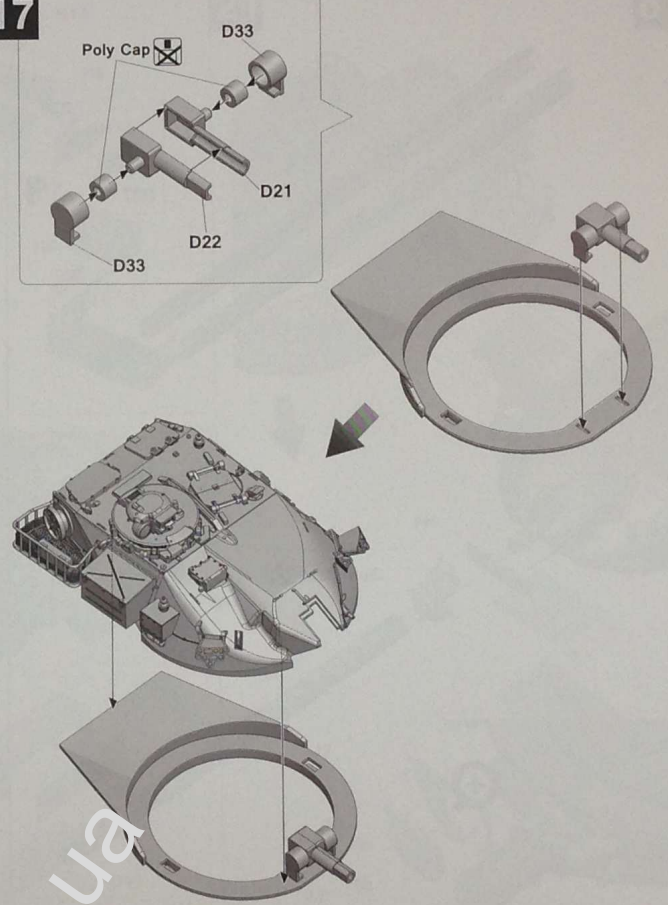


9

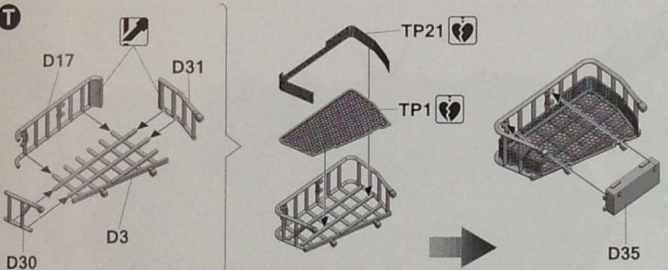
16



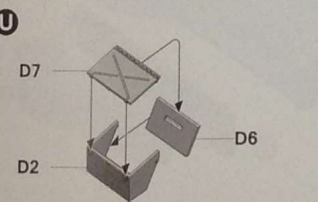
17



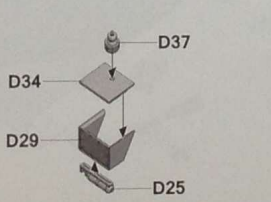
T



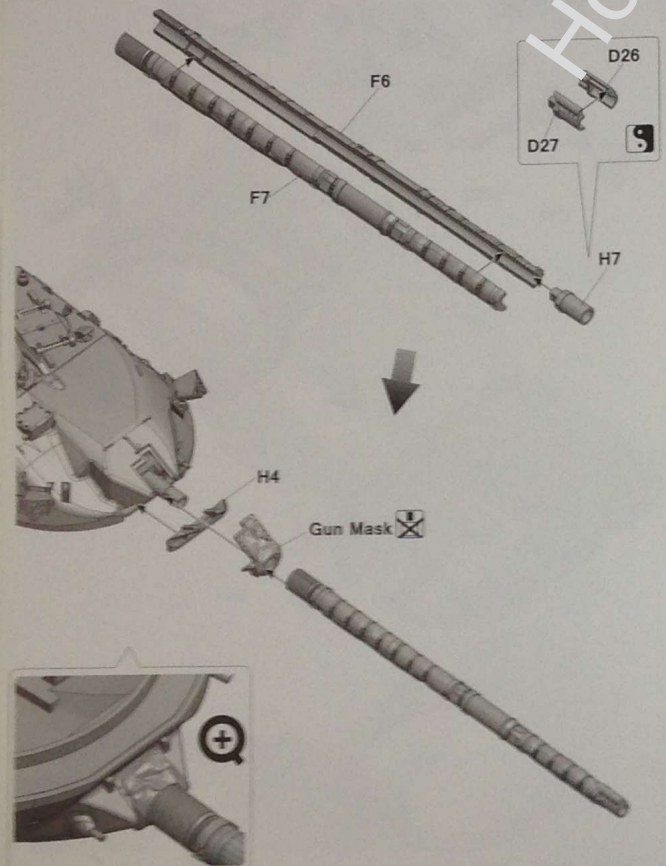
U



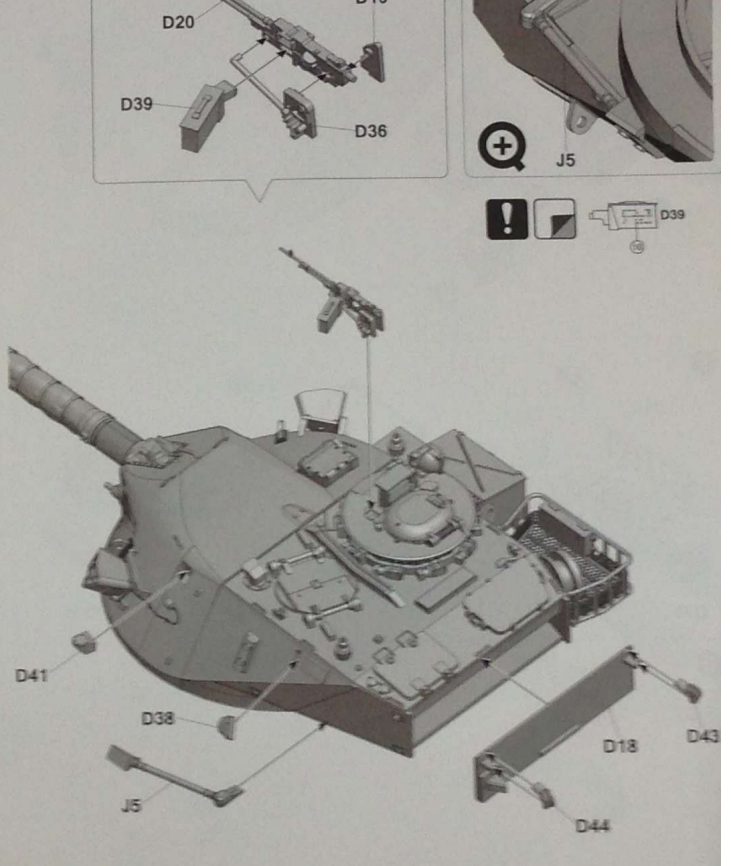
V



18



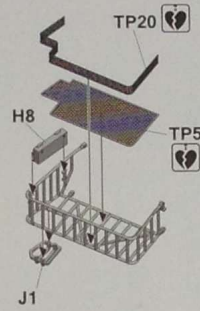
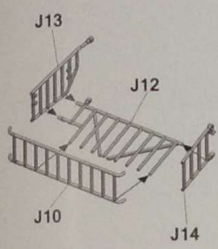
19



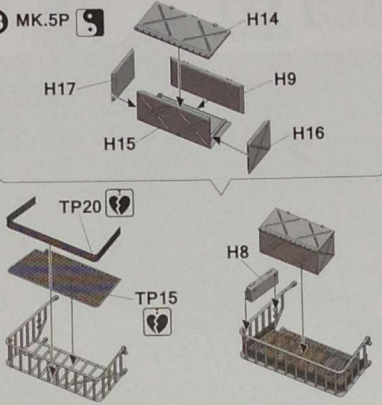
11

20

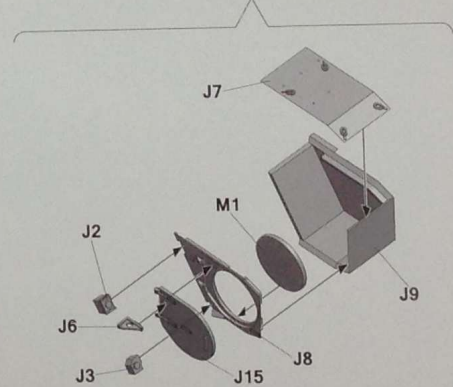
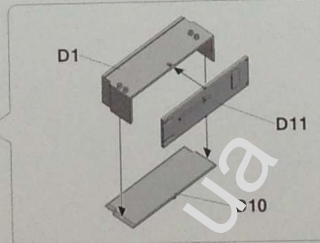
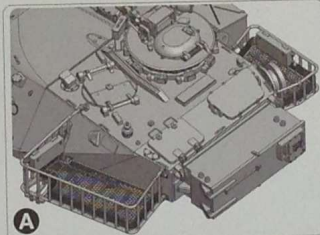
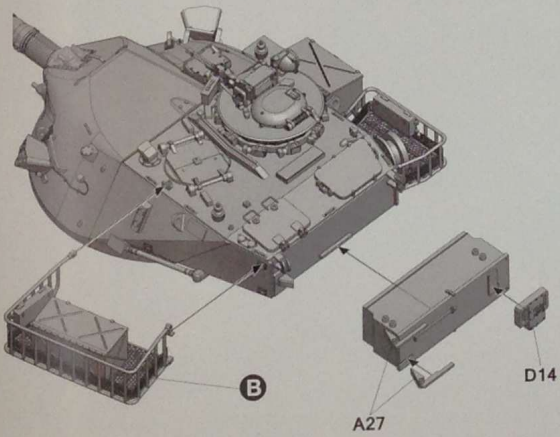
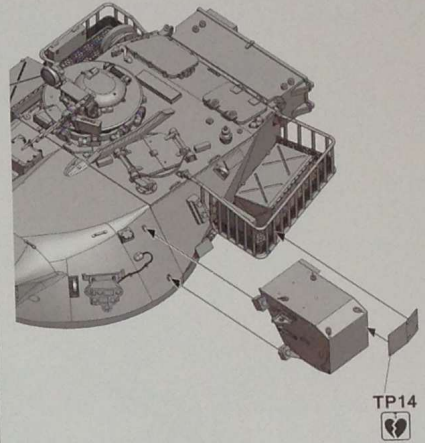
A MK.5



B MK.5P

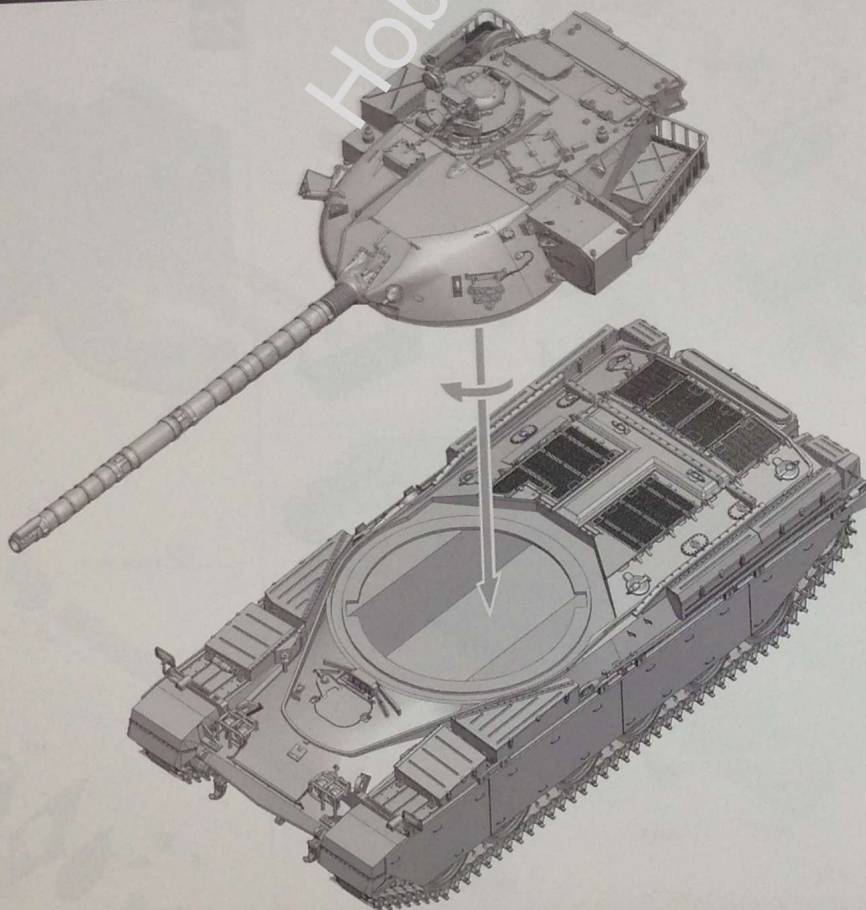


21



12

22



13

03.03.2027



CHIEFTAIN MK.5/5P

Color info and profiles by



03.03.2027



CHIEFTAIN MK.5/5P

Color info and profiles by



Painting and Marking Guide

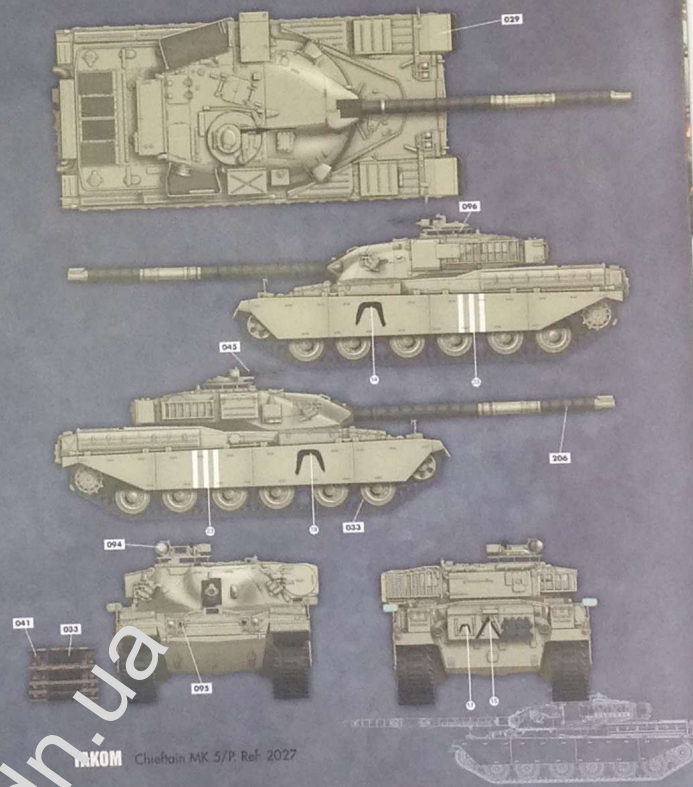
- AMIG 033 Rubber & Tire
- AMIG 041 Dark Rust
- AMIG 045 Gun Metal
- AMIG 094 Crystal Glass
- AMIG 095 Crystal Smoke
- AMIG 096 Crystal Penelope Green
- AMIG 097 Yellow Grey
- AMIG 046 Matt Black
- AMIG 110 British Brown

Iranian MK 5/P, Army Day Parade, Tehran, 17th April 2001

Painting and Marking Guide

- AMIG 033 Rubber & Tire
- AMIG 041 Dark Rust
- AMIG 045 Gun Metal
- AMIG 094 Crystal Glass
- AMIG 095 Crystal Smoke
- AMIG 096 Crystal Penelope Green
- AMIG 097 Desert Sand
- AMIG 206 FS 34075 BS 6411

Kwajik MK 5/P, Marjays Brigade, Operation Desert Storm, 1991



TAKOM Chieftain MK 5/P Ref. 2027

TAKOM Chieftain MK 5/P Ref. 2027

03.03.2027



CHIEFTAIN MK.5/5P

Color info and profiles by



03.03.2027



CHIEFTAIN MK.5/5P

Color info and profiles by



Painting and Marking Guide

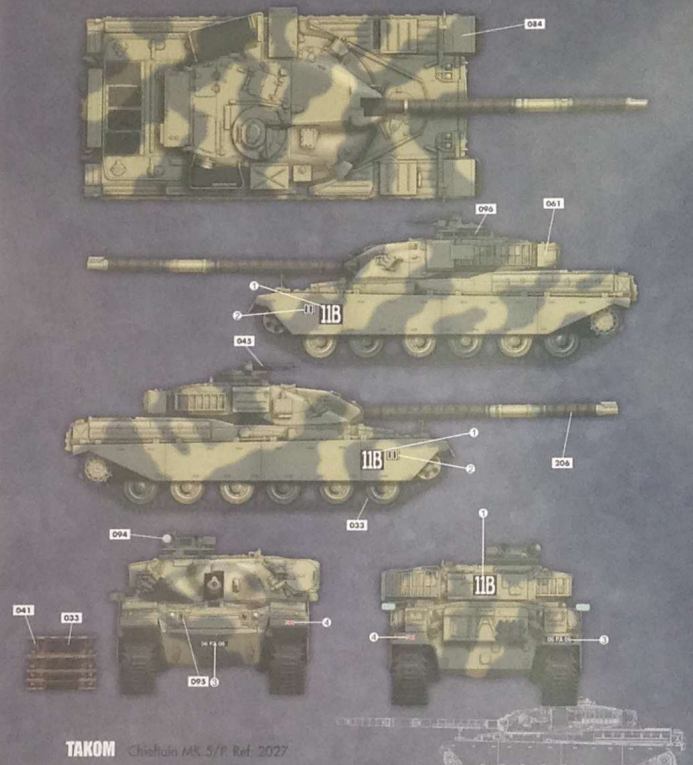
- AMIG 033 Rubber & Tire
- AMIG 041 Dark Rust
- AMIG 045 Gun Metal
- AMIG 094 Crystal Glass
- AMIG 095 Crystal Smoke
- AMIG 096 Crystal Penelope Green
- AMIG 046 Matt Black
- AMIG 206 FS 34075 BS 6411
- AMIG 084 NATO Green

Unknown unit, BATUS 1991

Painting and Marking Guide

- AMIG 033 Rubber & Tire
- AMIG 041 Dark Rust
- AMIG 045 Gun Metal
- AMIG 094 Crystal Glass
- AMIG 095 Crystal Smoke
- AMIG 096 Crystal Penelope Green
- AMIG 097 Yellow Grey
- AMIG 046 Matt Black
- AMIG 206 FS 34075 BS 6411

Iranian MK 5/P, Battle of Shalameha (preceding the liberation of Kharamshaker) 242nd Battalion, 4th Brigade, 21st Infantry Division, Operation "Bat-al-Mogadad" May 1983



TAKOM Chieftain MK 5/P Ref. 2027

TAKOM Chieftain MK 5/P Ref. 2027

