

READ BEFORE ASSEMBLY
CAUTION

- Read carefully and fully understand the instructions before commencing assembly. A supervising adult should also read the instructions if a child assembles the model.
- When assembling this kit, tools including knives used. Extra care should be taken to avoid personal injury.
- Keep out of reach of small children. Children must not be allowed to suck any part, or pull any bag over their heads.

- Heating Do Not Comment Be Careful
- Optional Remove

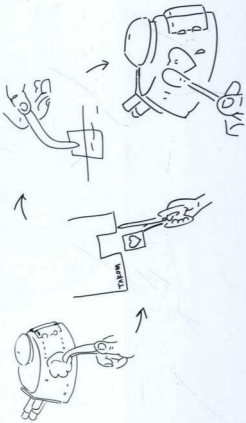
PAINTS REQUIRED

Color into and ref as by Mig Jimenez

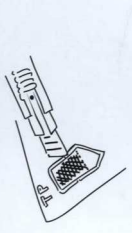
Label	Color	Brand	Code
Black	Black	Model Master	111
White	White	Model Master	100
Red	Red	Model Master	101
Blue	Blue	Model Master	102
Green	Green	Model Master	103
Yellow	Yellow	Model Master	104
Orange	Orange	Model Master	105
Purple	Purple	Model Master	106
Brown	Brown	Model Master	107
Grey	Grey	Model Master	108
Gold	Gold	Model Master	109
Silver	Silver	Model Master	110

APPLYING DECALS

1. Clean the model surface with a wet cloth.
2. Hold the backing sheet edge and dip it in tepid water for 15-20 sec.
3. Hold the backing sheet edge and slide decal onto the model.
4. Move decal into position by wetting decal with finger.
5. Press decal gently down with a soft cloth until excess water and air bubbles are gone.



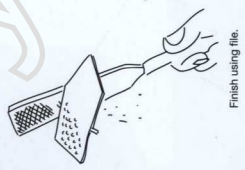
REMOVING PE



Be careful not to hurt when removing PE parts.

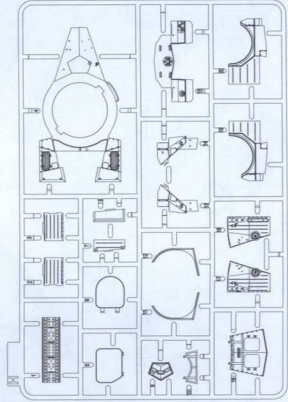
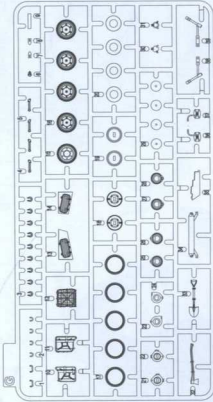
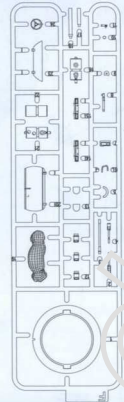
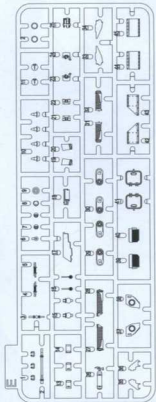


Secure using instant glue (not included).



Finish using file.

PARTS



Lower Hull



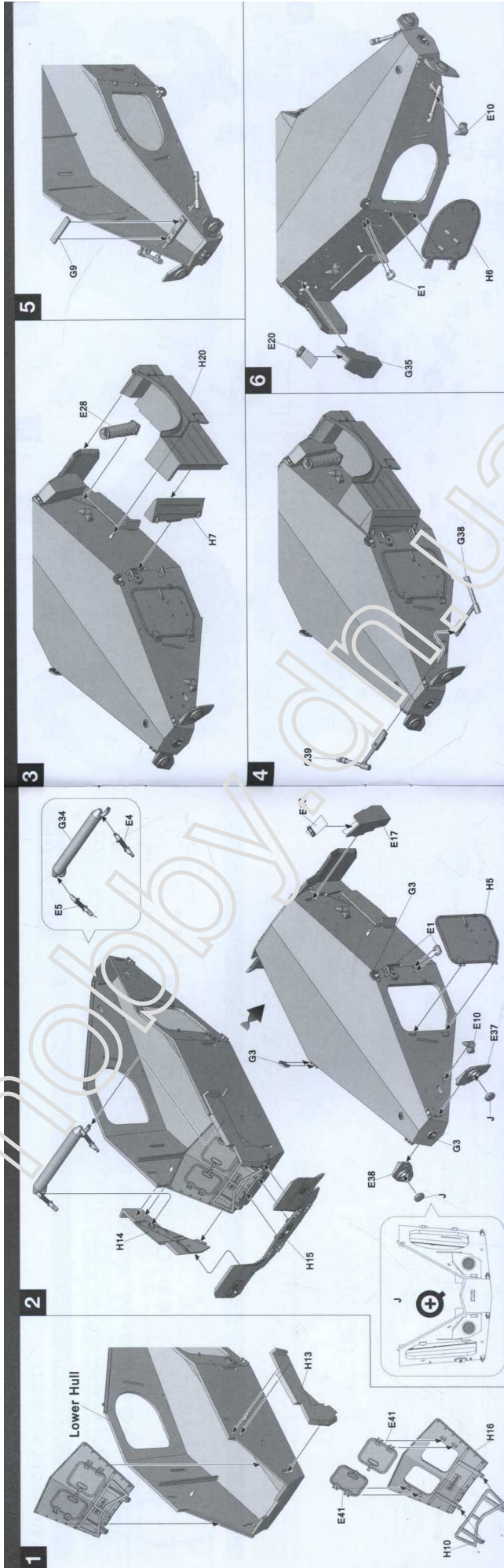
Turret

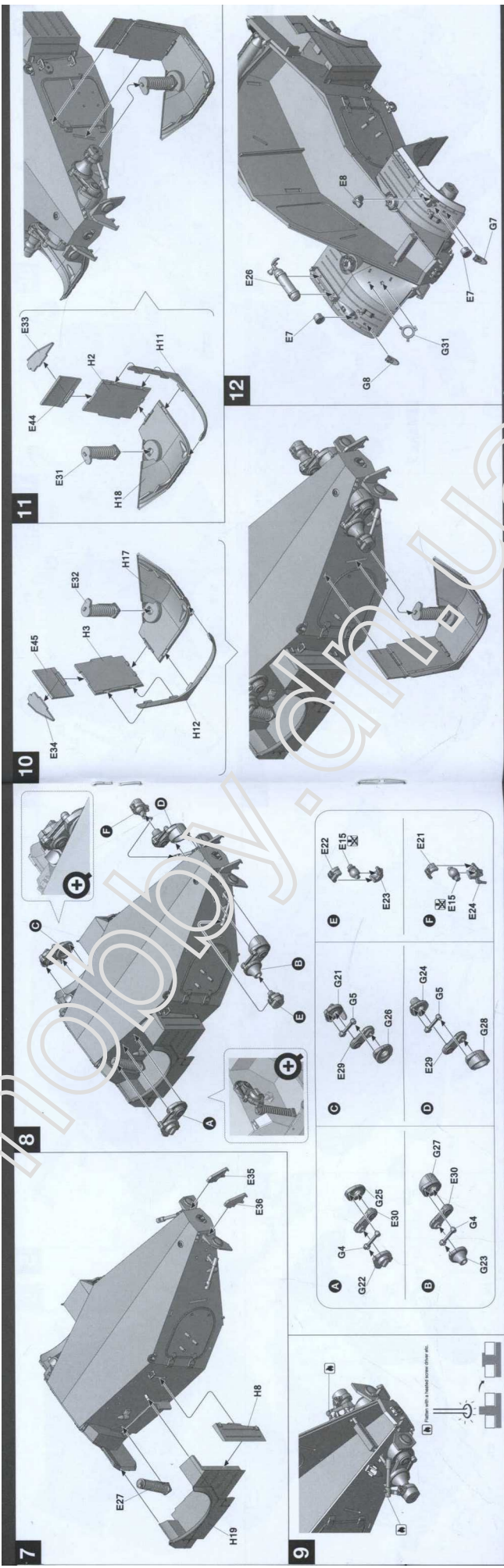


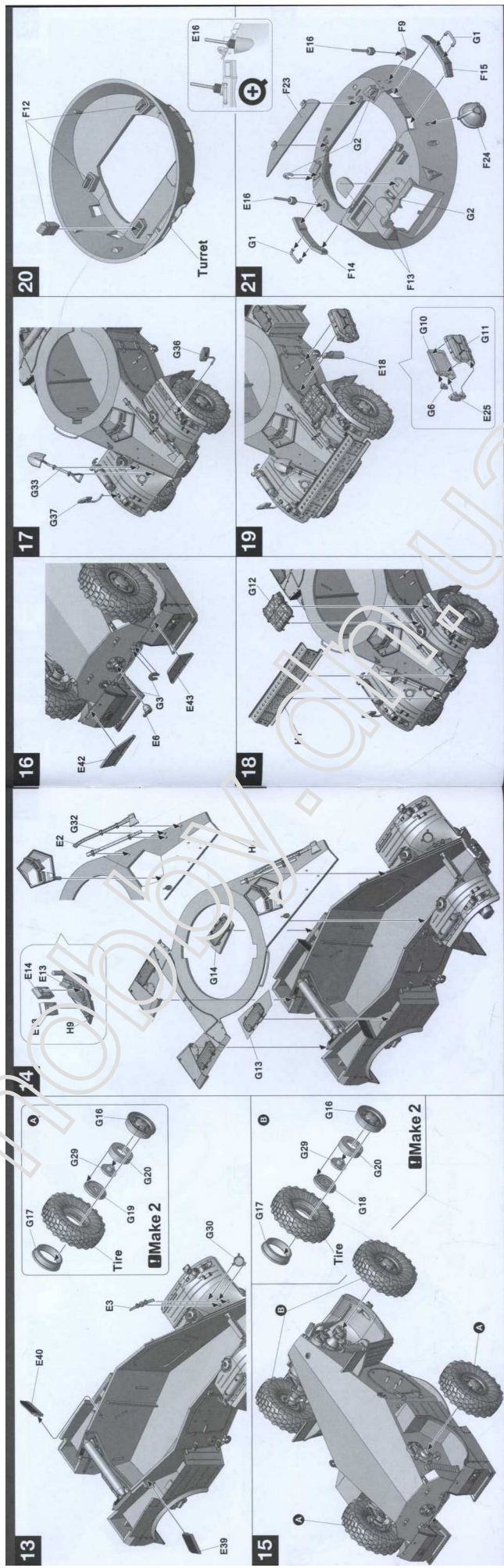
Decal

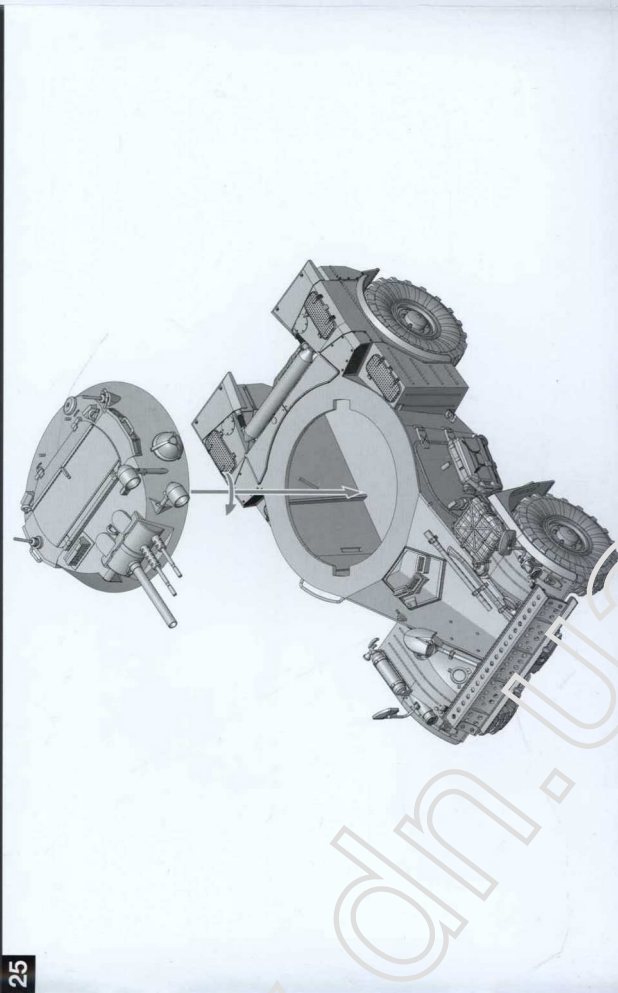


Tire X5

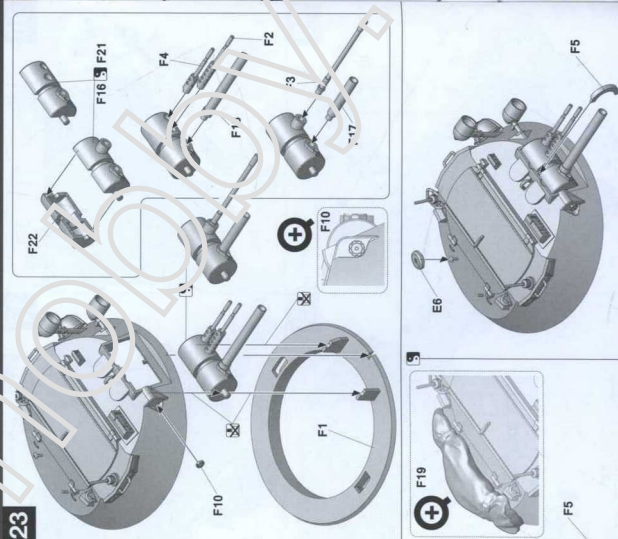




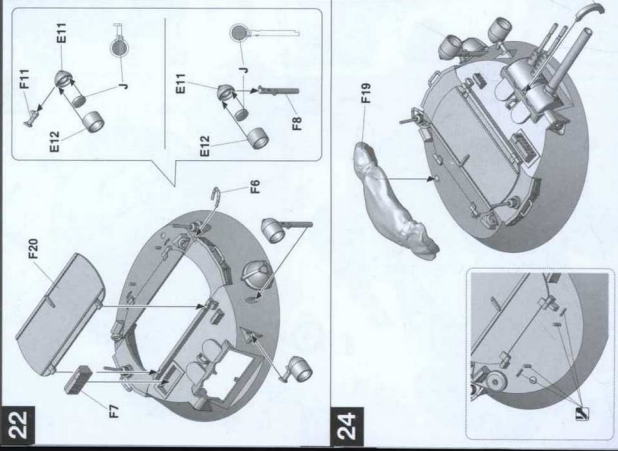




25



23



24

03.03.2024
TAKOM
AML-60
Painting and Marking Guide
Painting and Marking Guide
Color plate and profiles by mig

03.03.2024
TAKOM
AML-60
Painting and Marking Guide
Painting and Marking Guide
Color plate and profiles by mig

22

23

24

an.ua