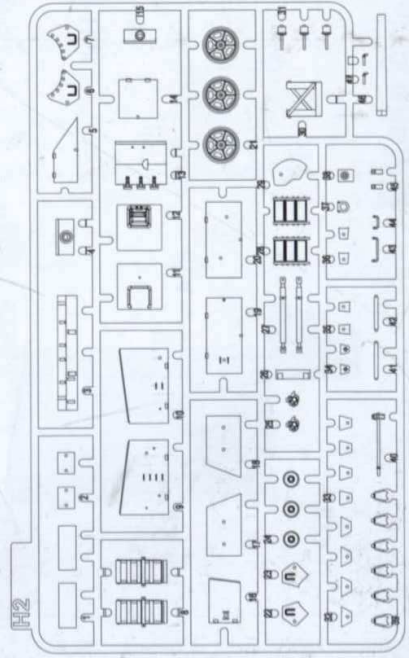
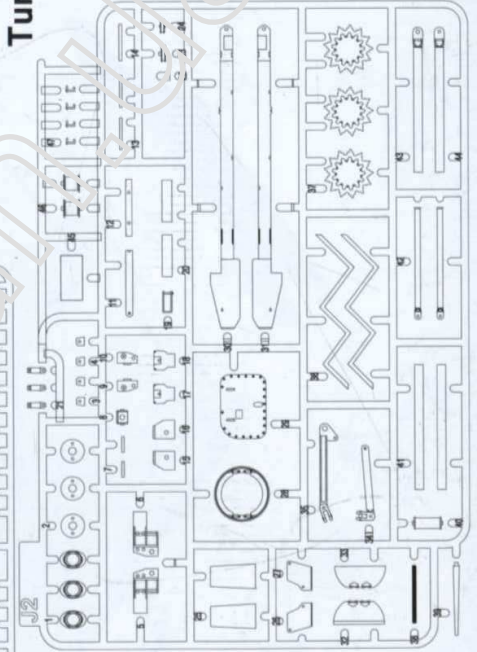
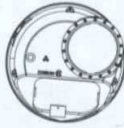
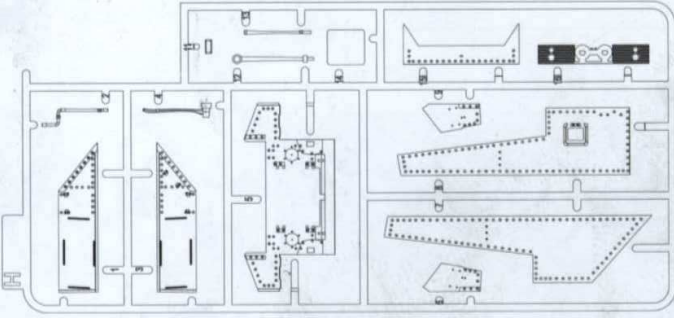
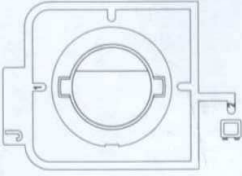
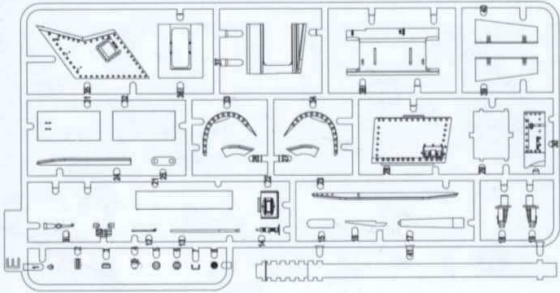
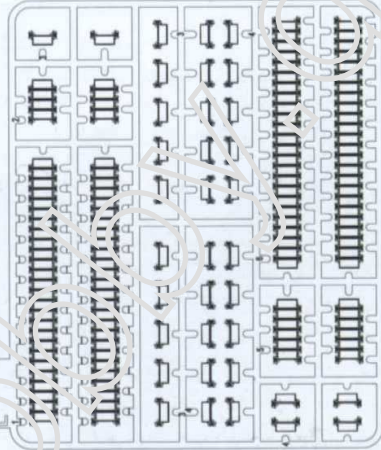
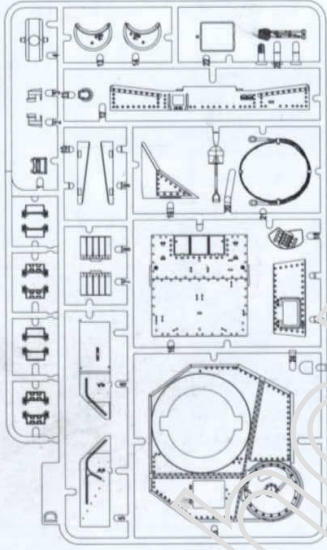
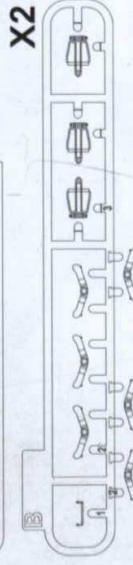
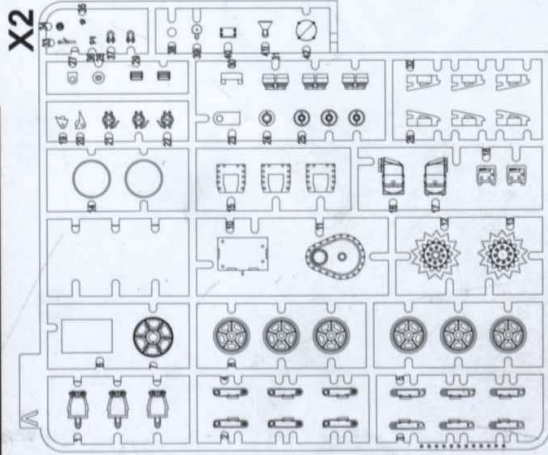
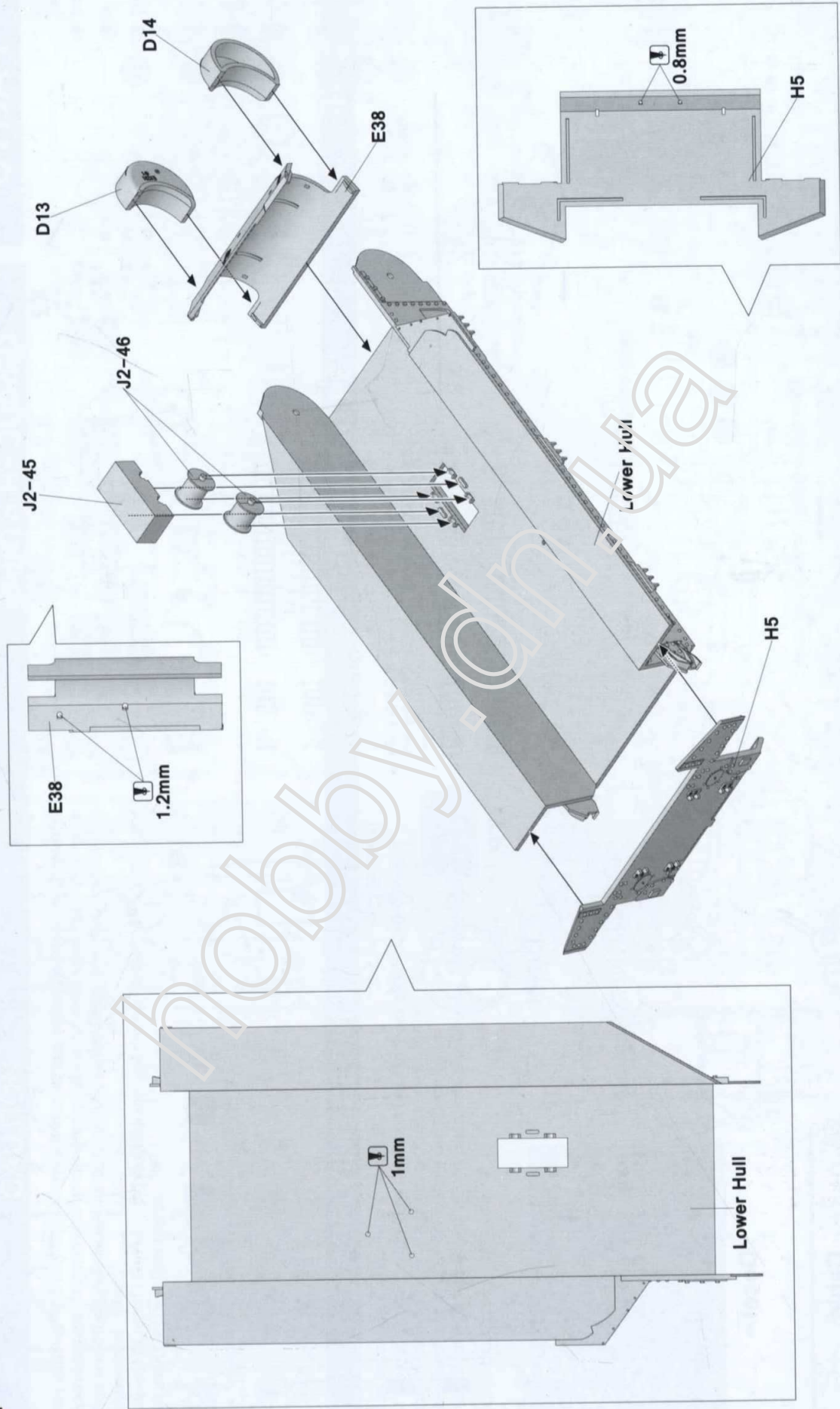


PARTS

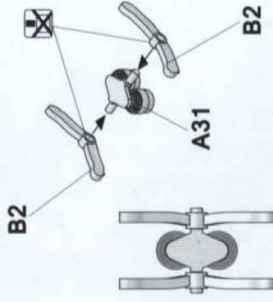
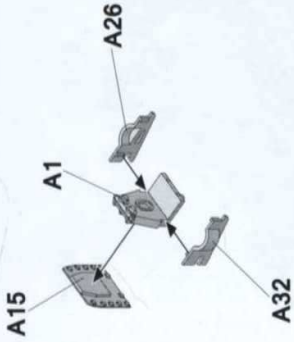
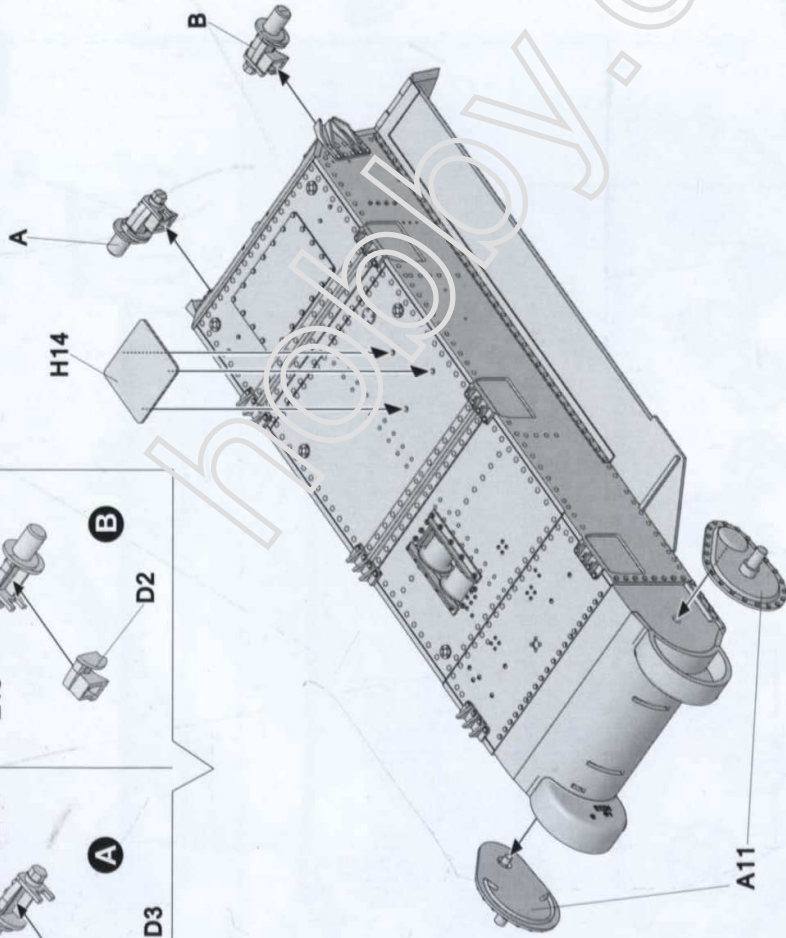
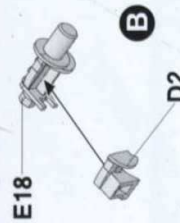
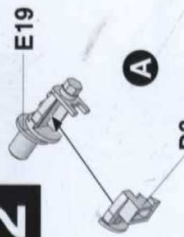


Cable

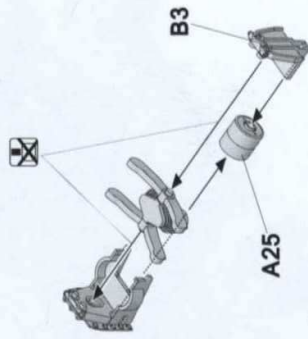
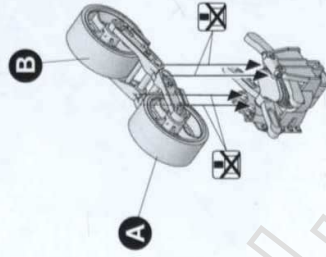
Lower Hull



2

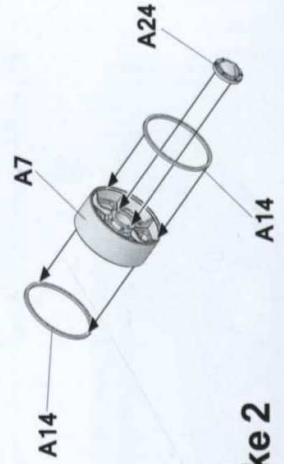
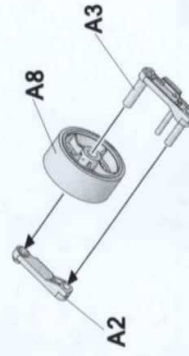


Make 6

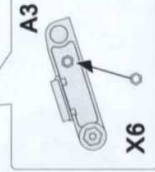
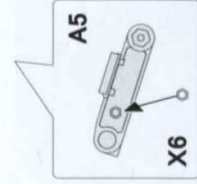
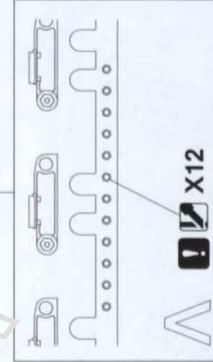


Make 6

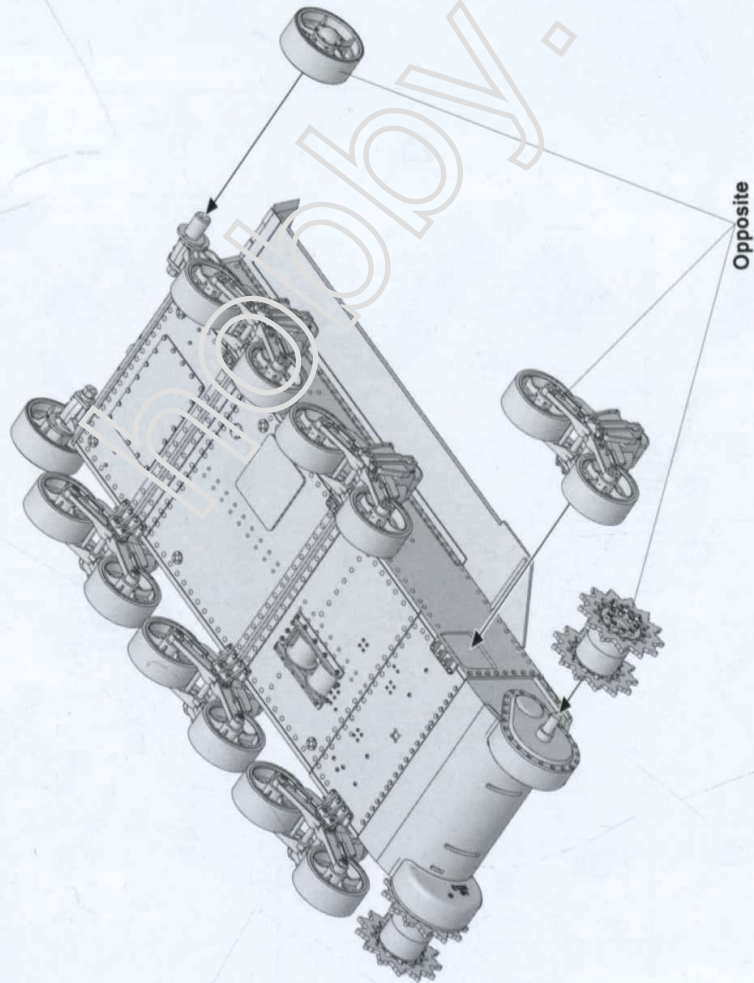
A B



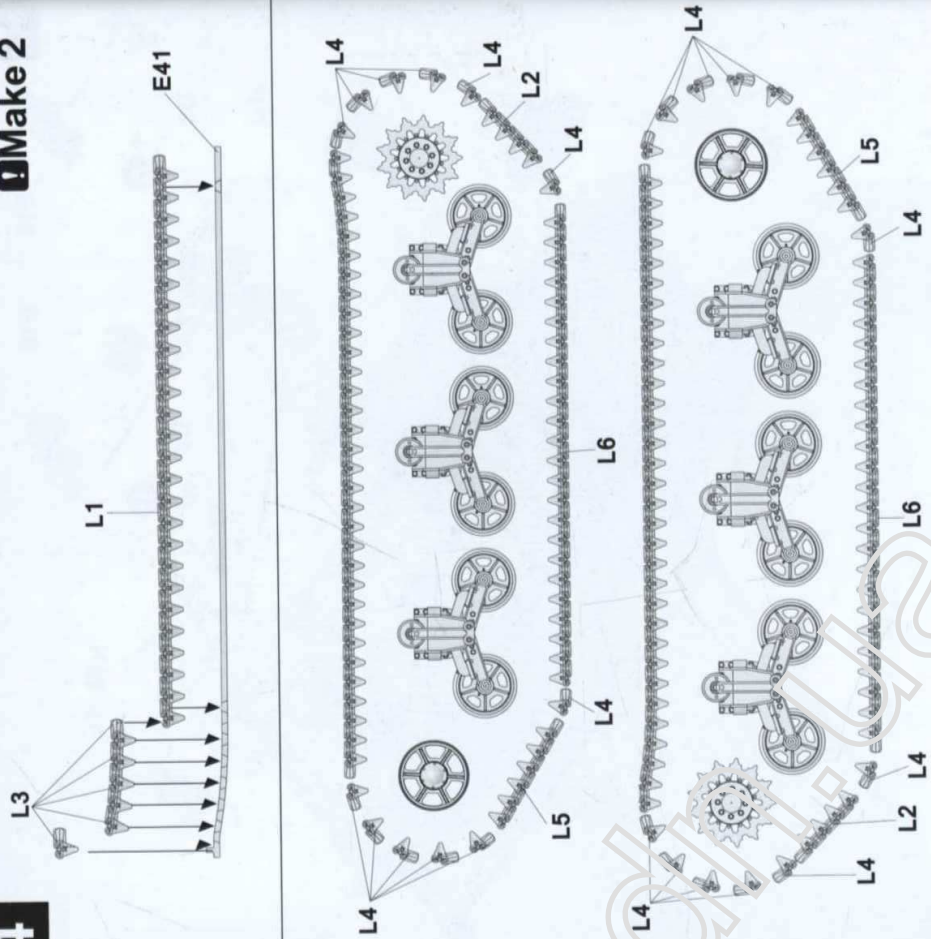
Make 2



3

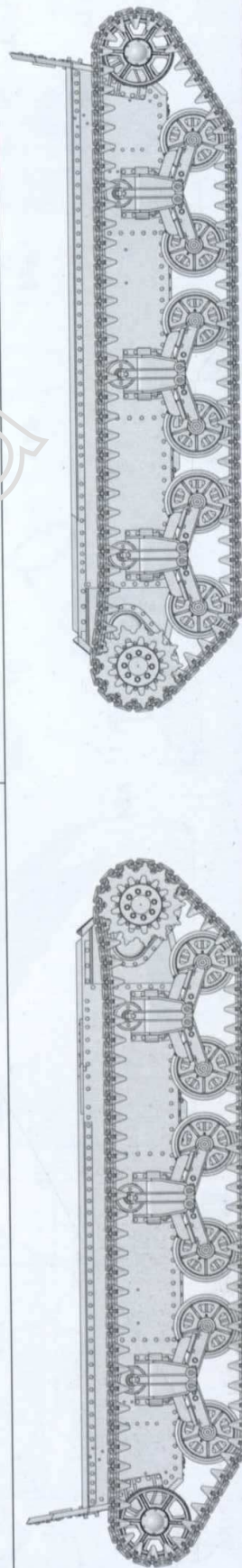


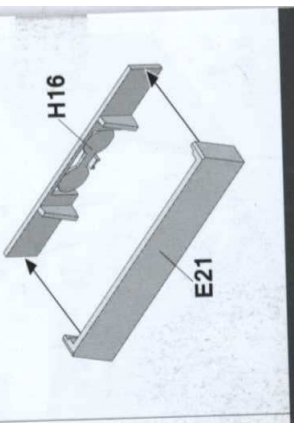
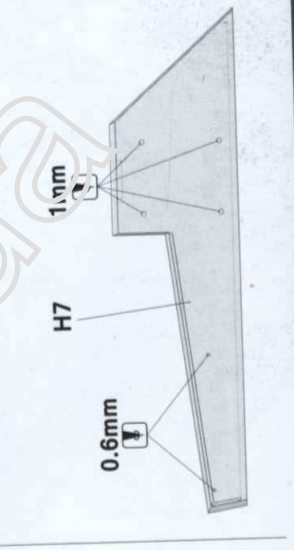
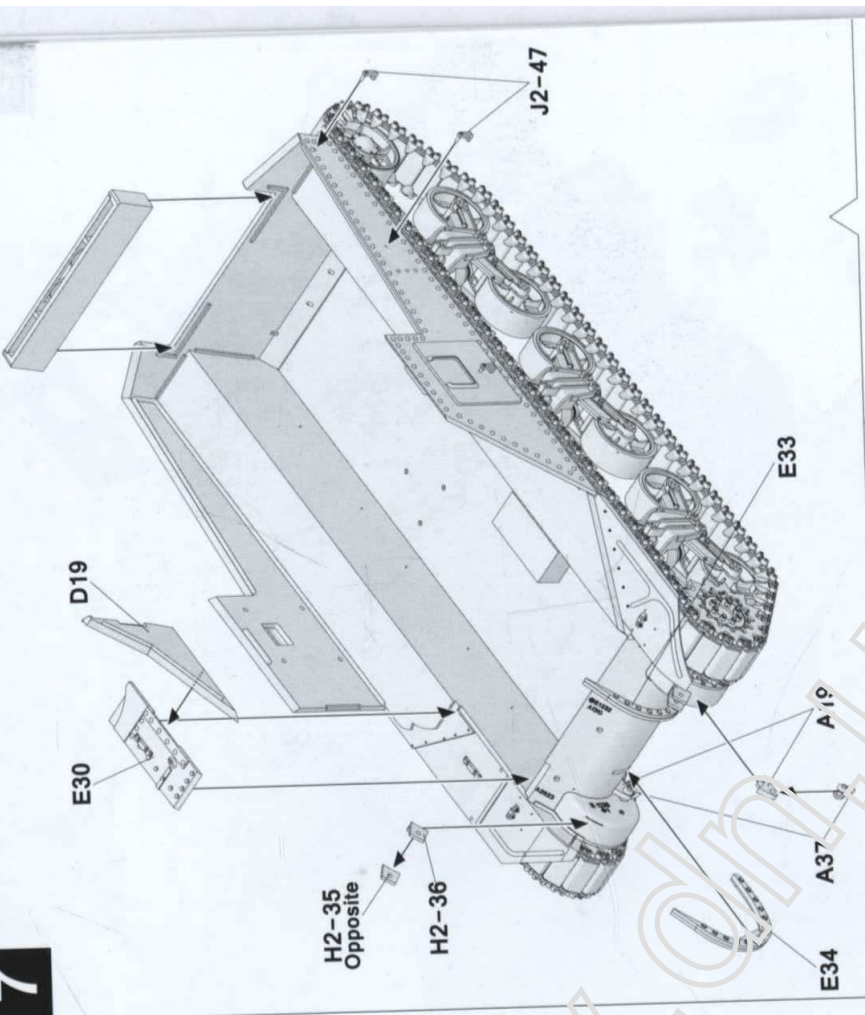
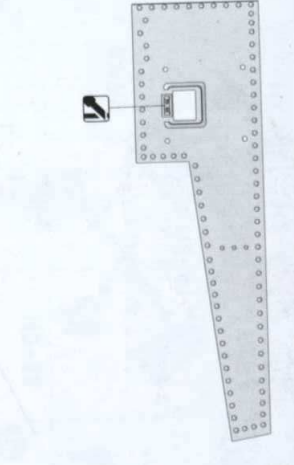
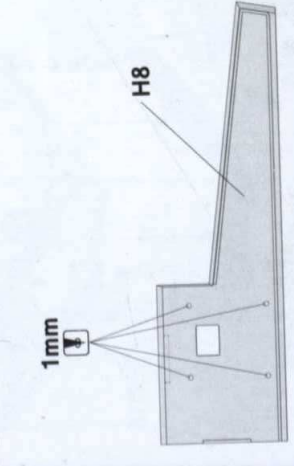
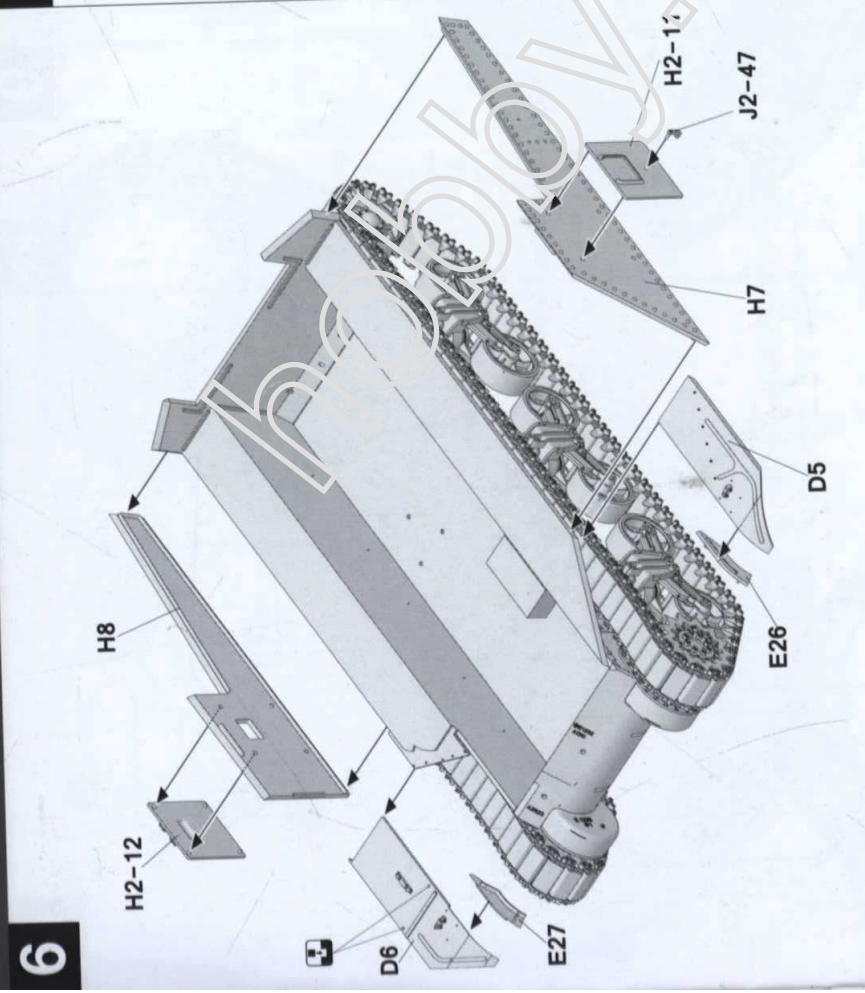
4



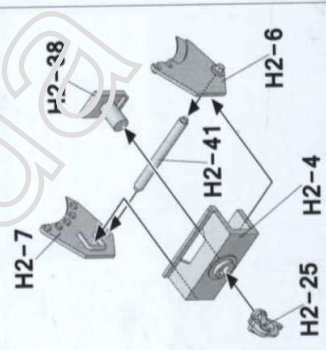
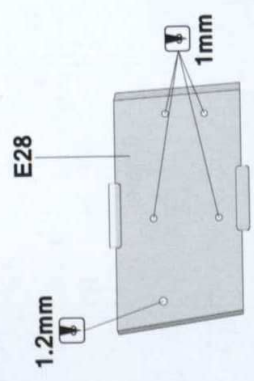
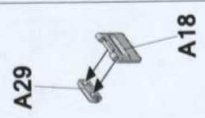
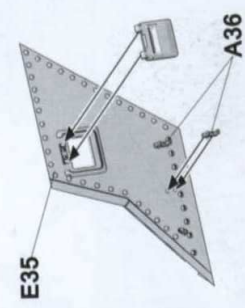
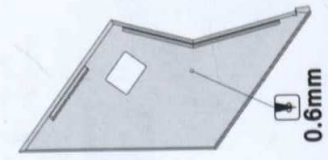
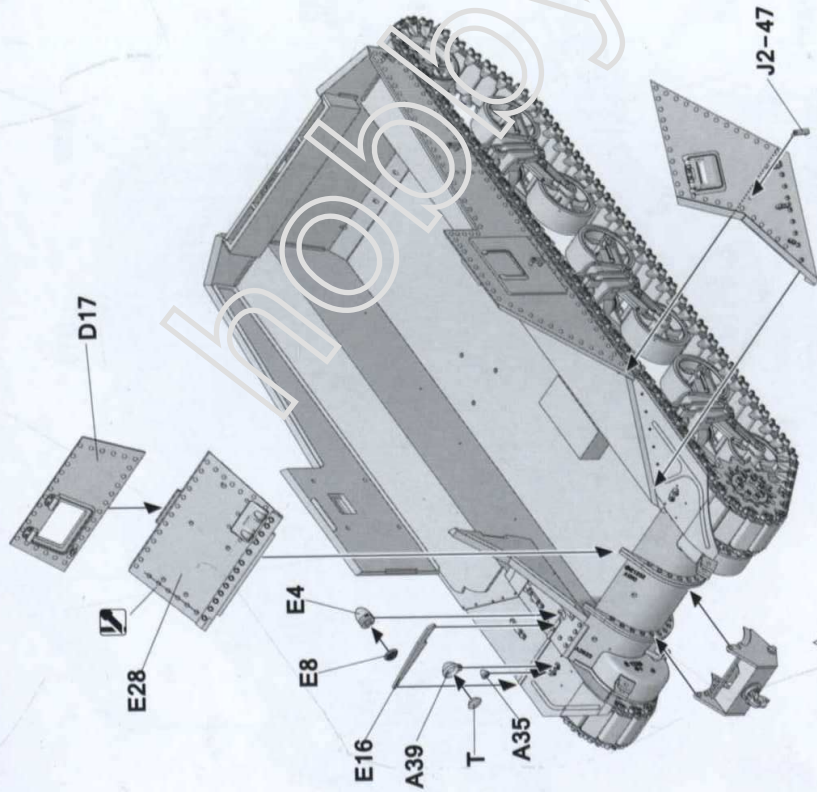
Make 2

5

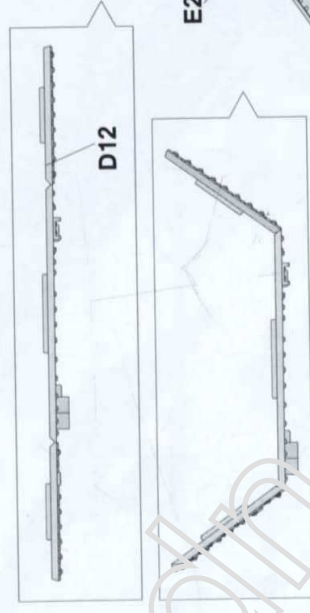
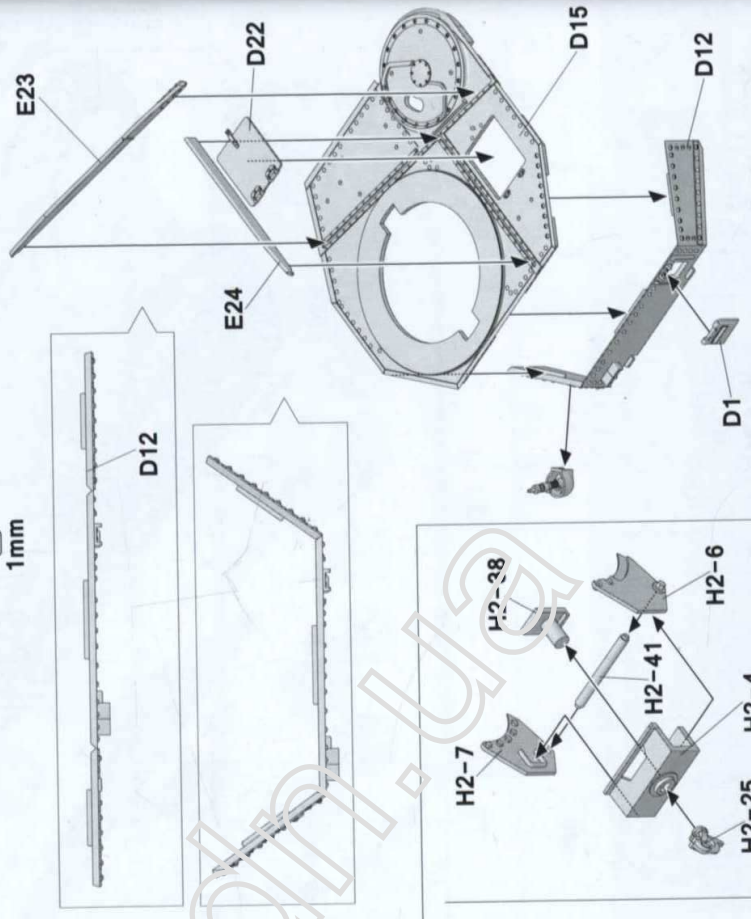
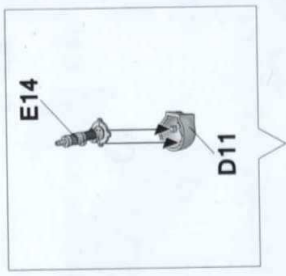
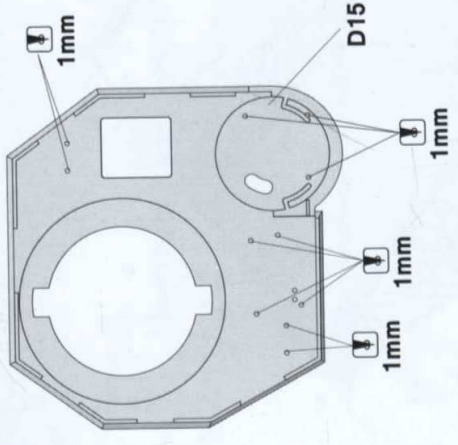




8

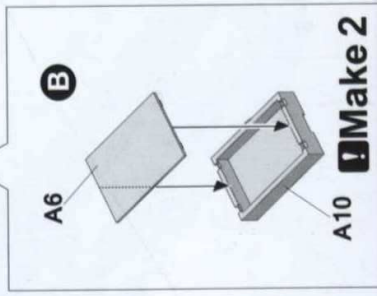
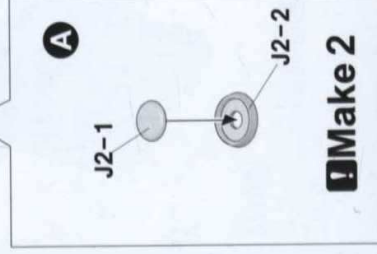
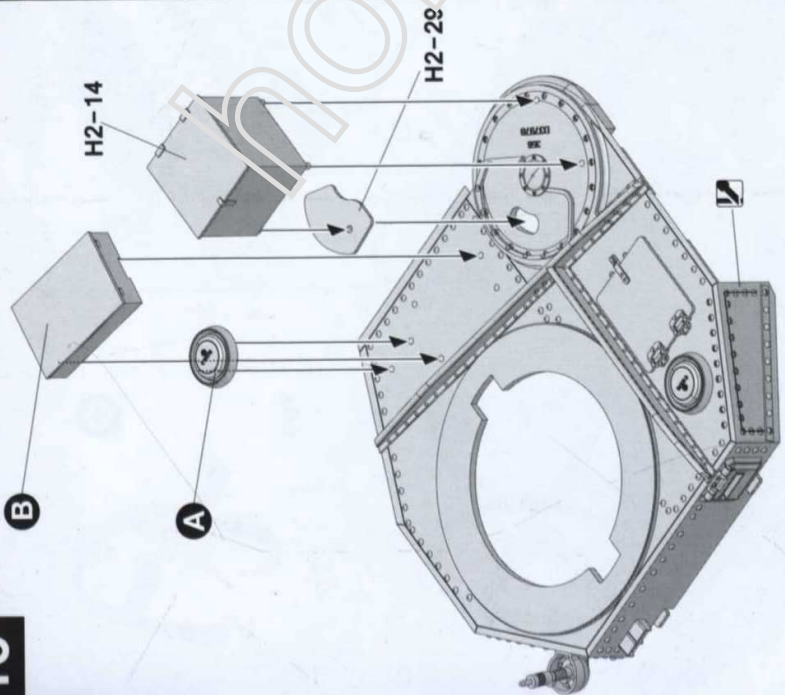


9

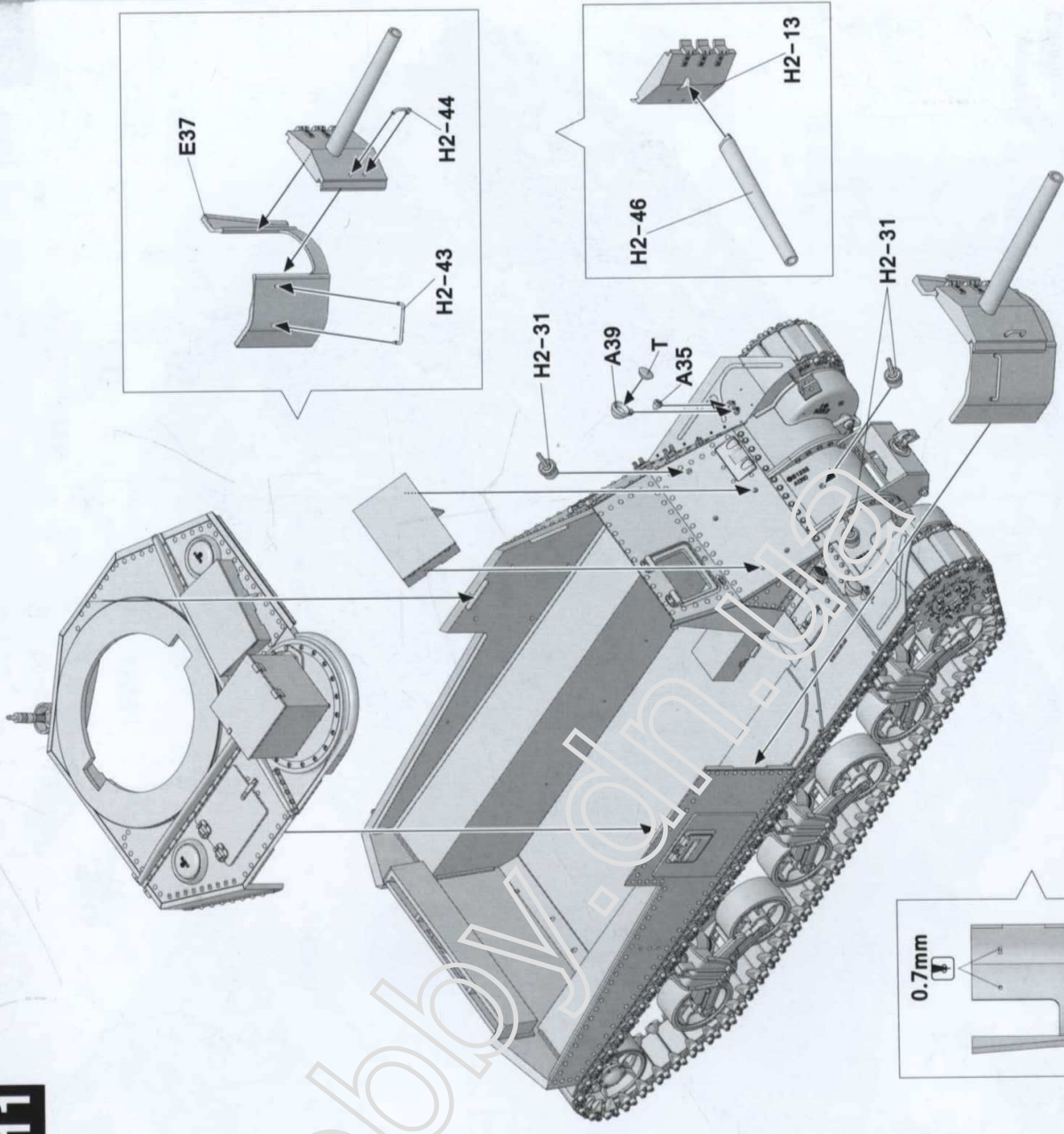


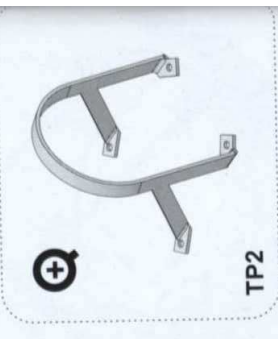
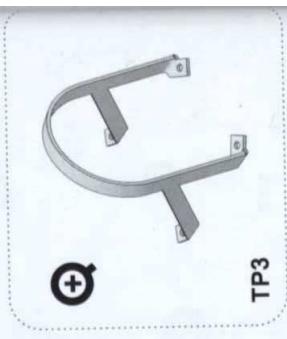
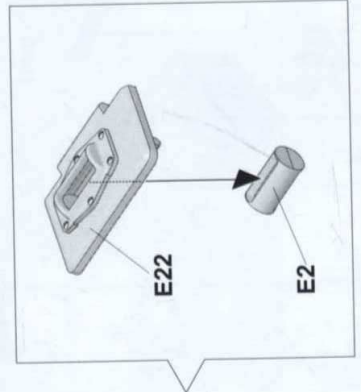
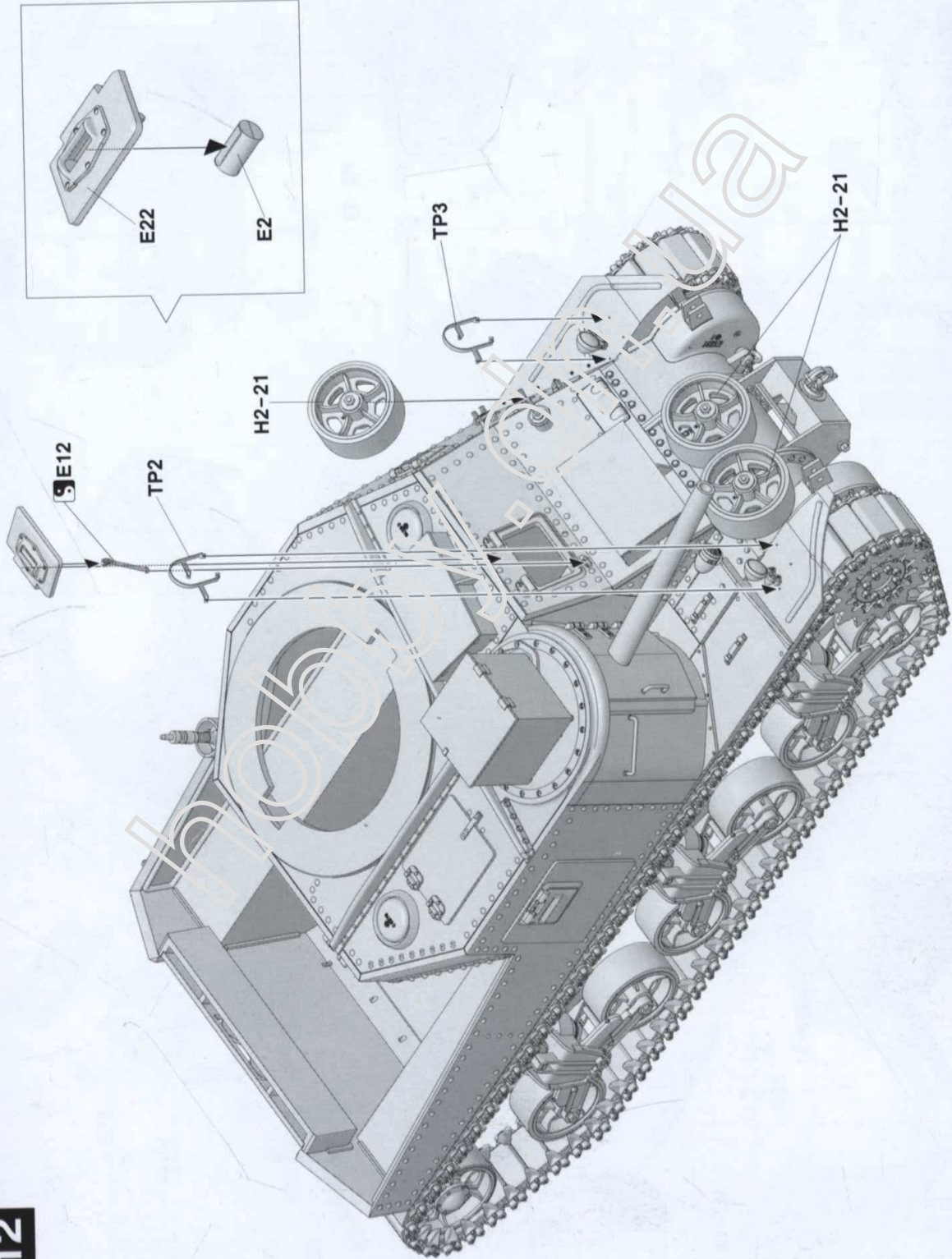
7

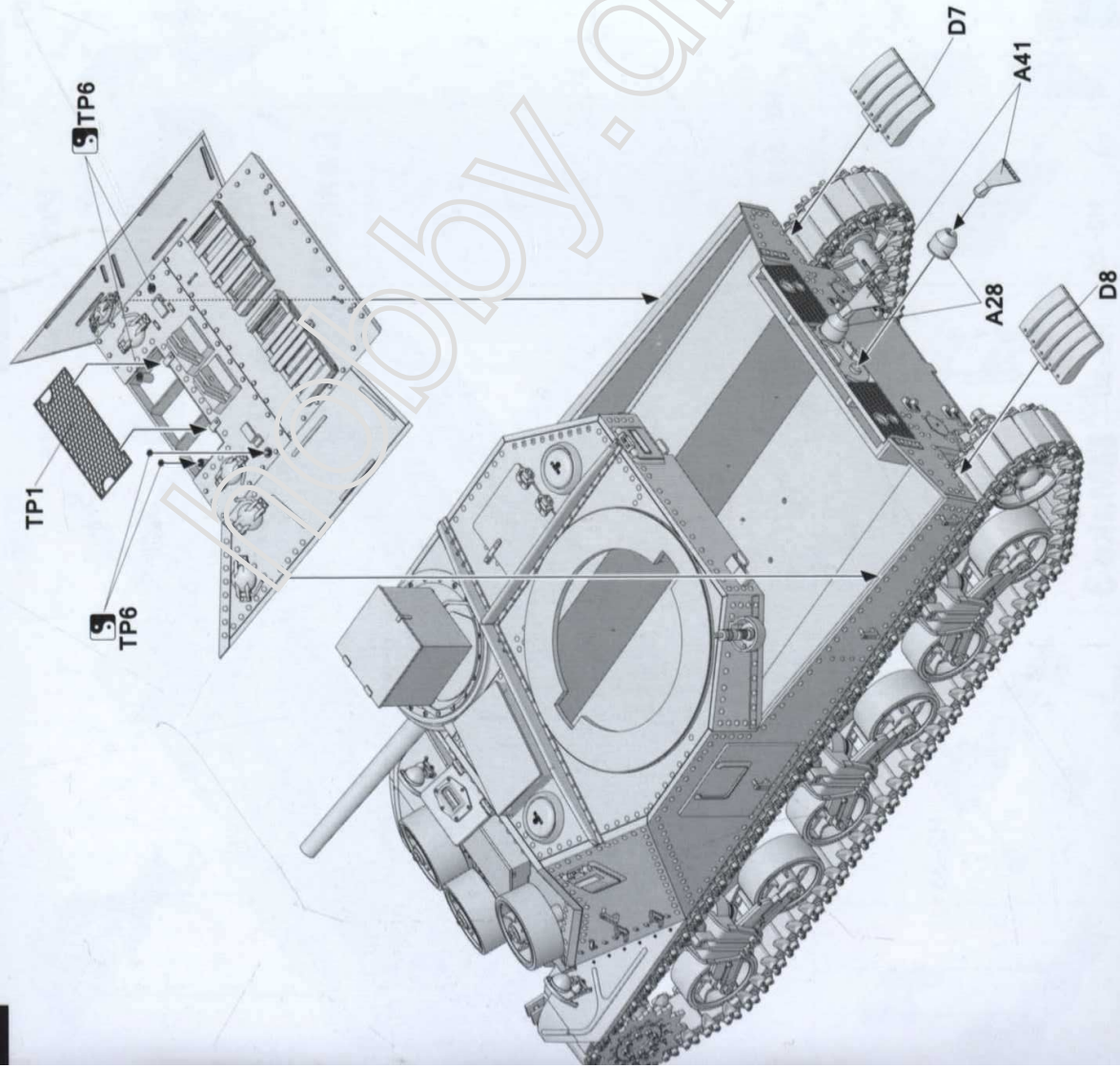
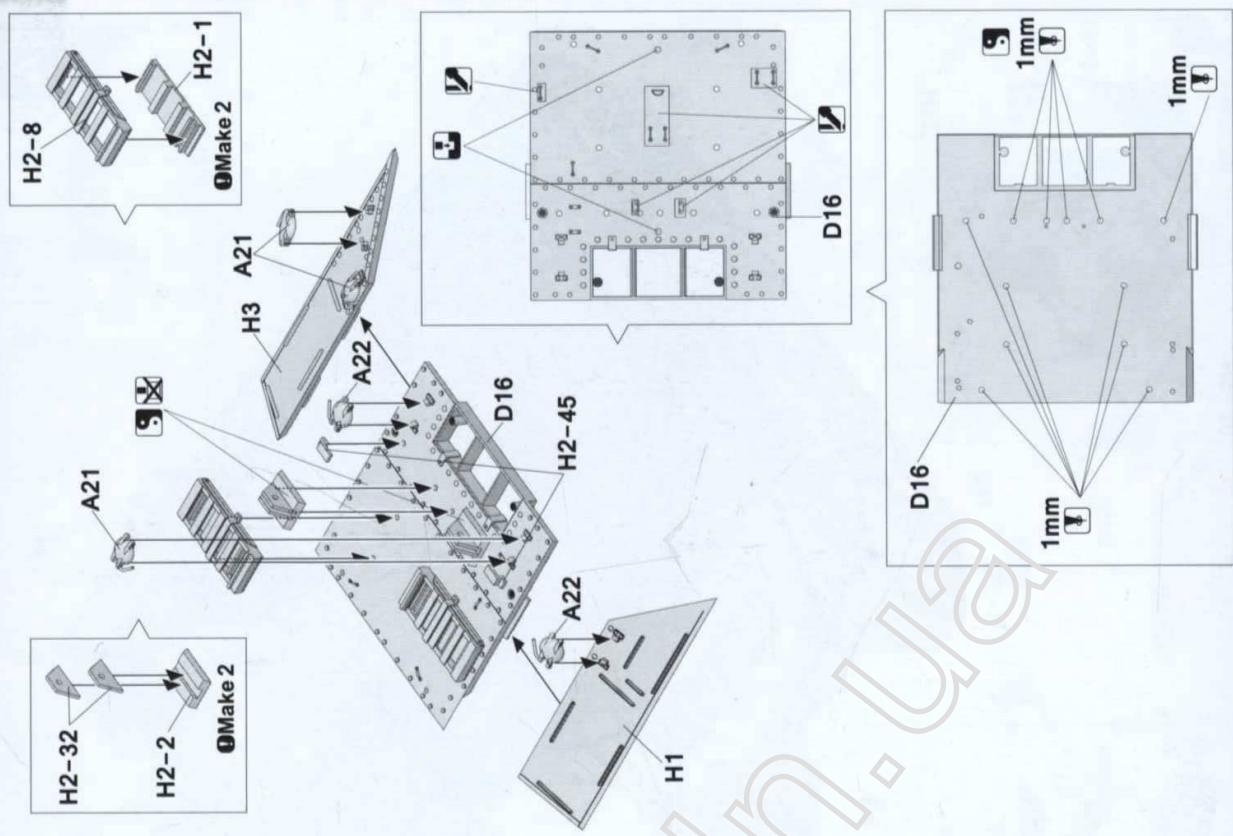
10

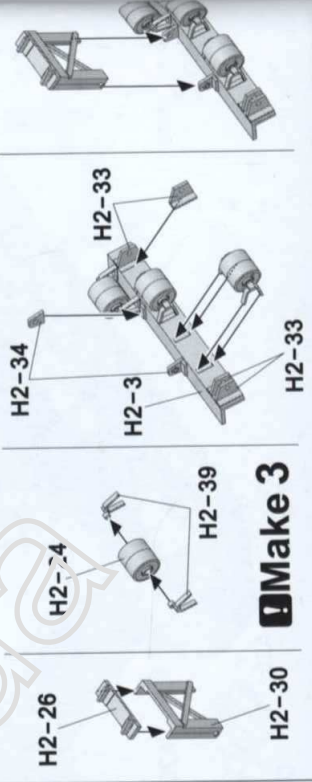
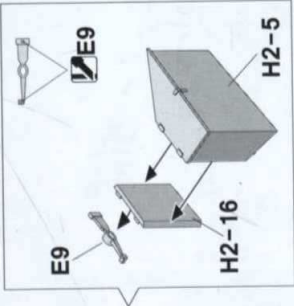
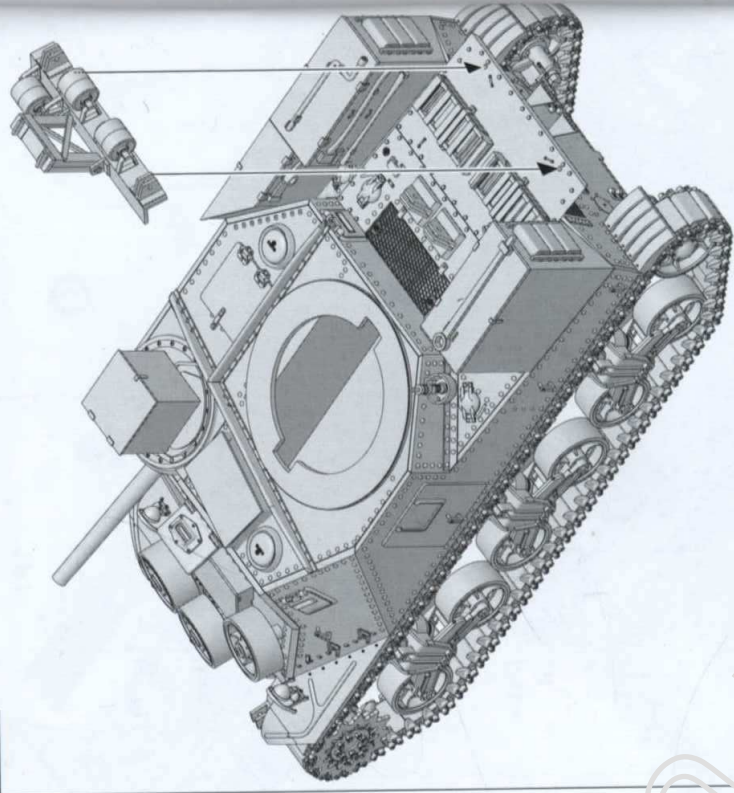


11

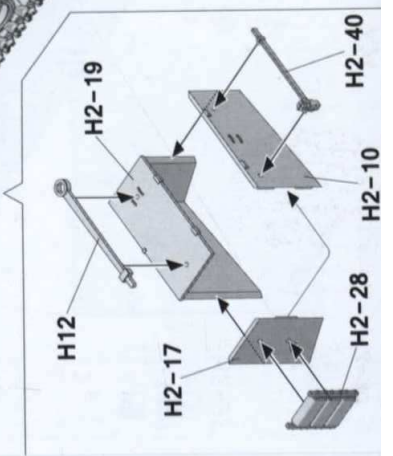
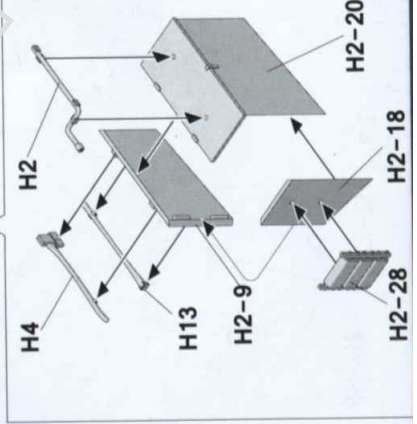
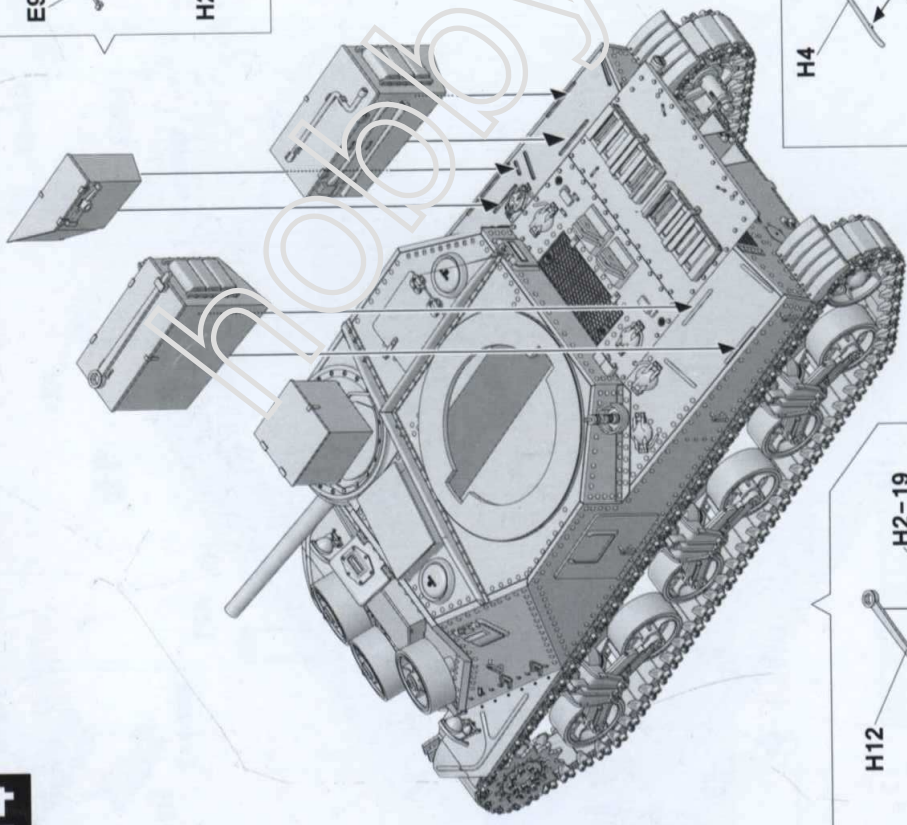


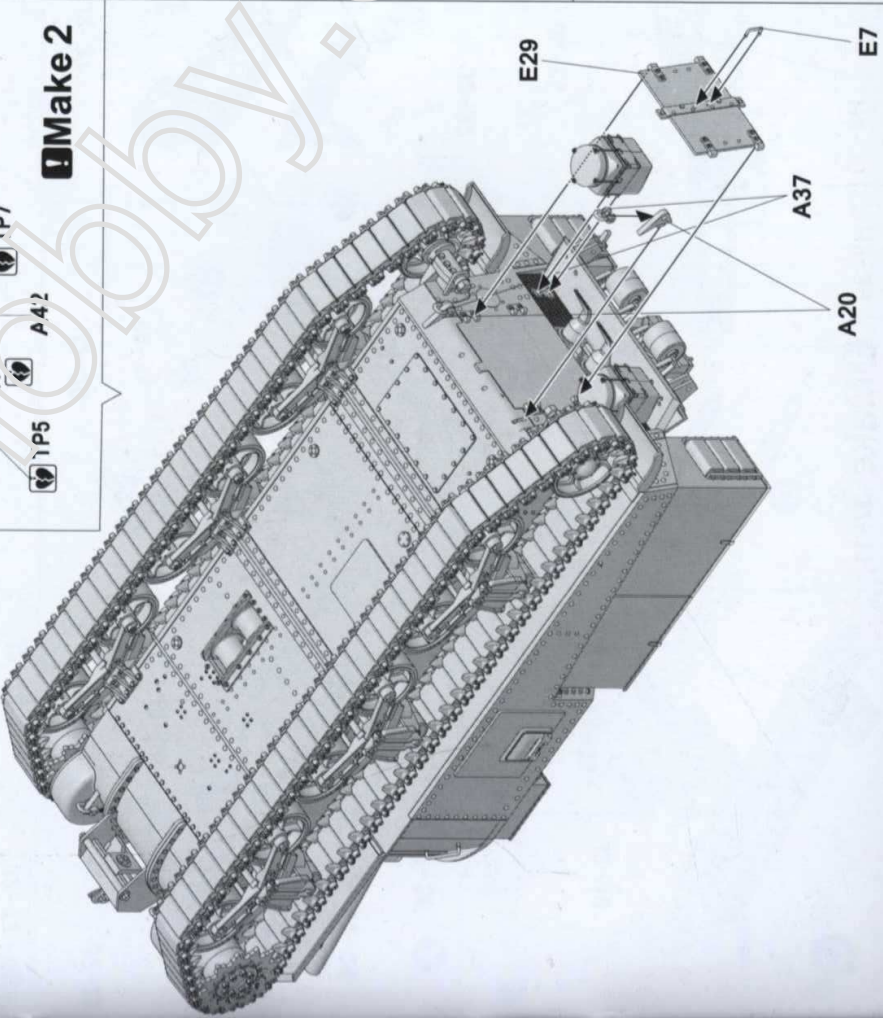
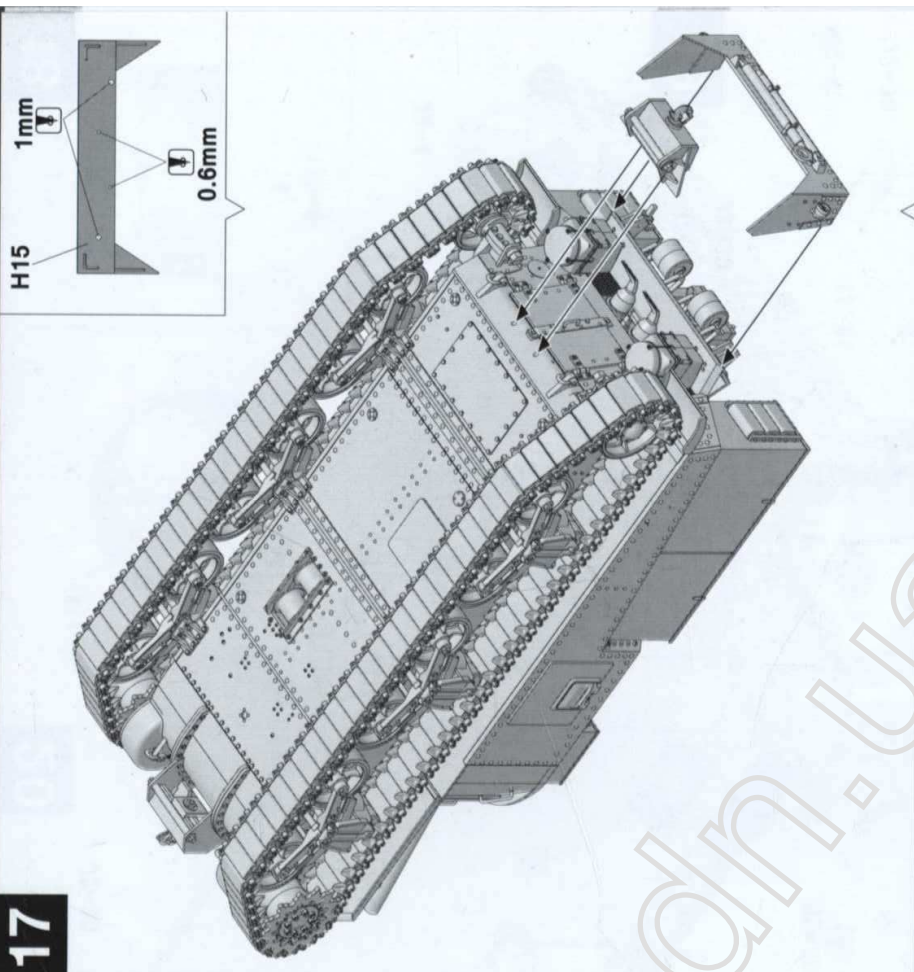
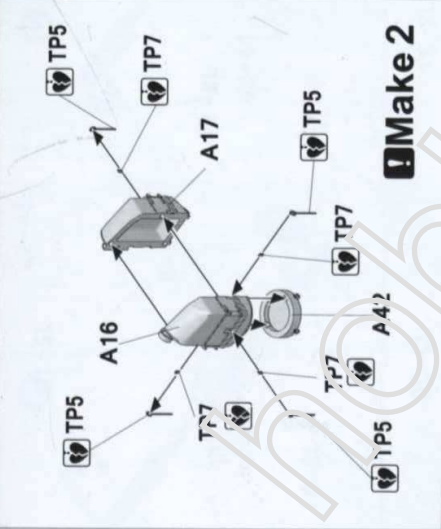




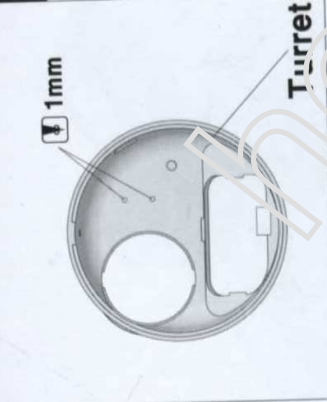


Make 3

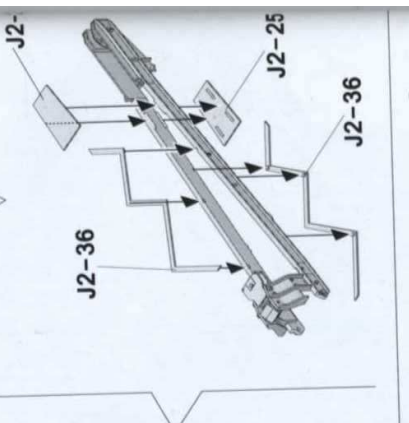
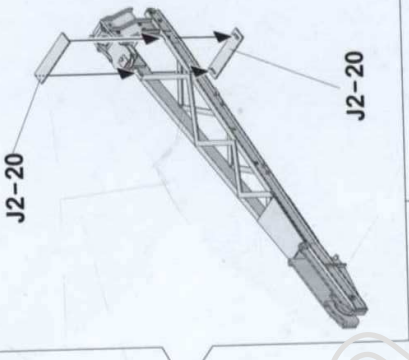
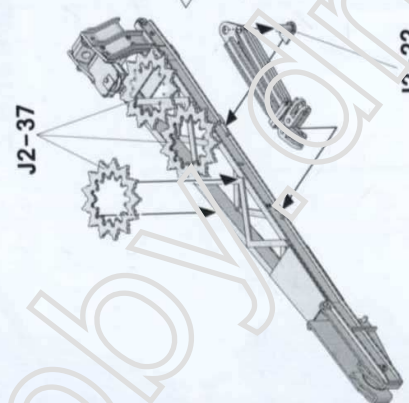
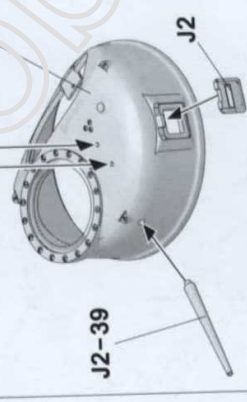
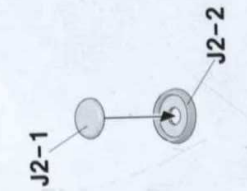
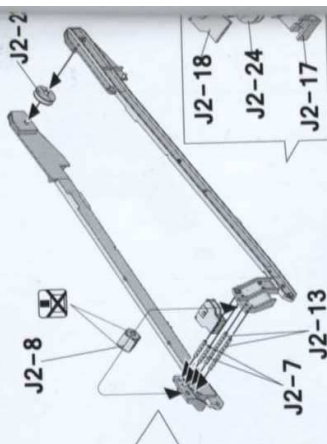
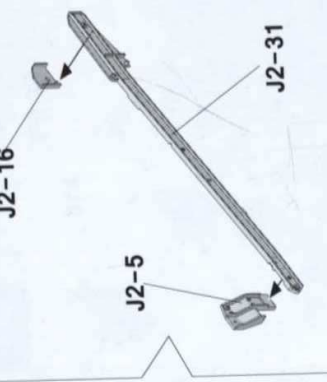
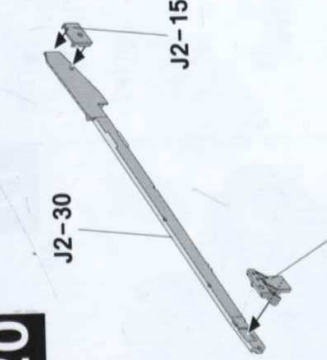




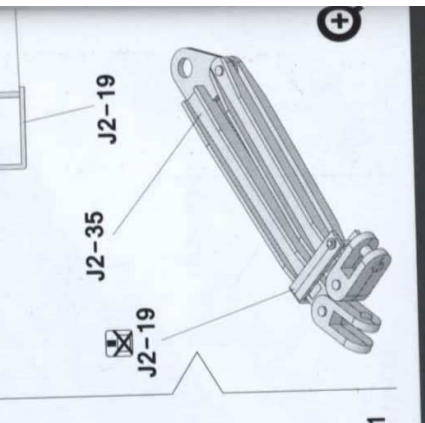
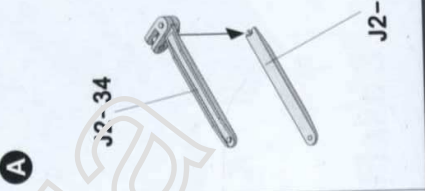
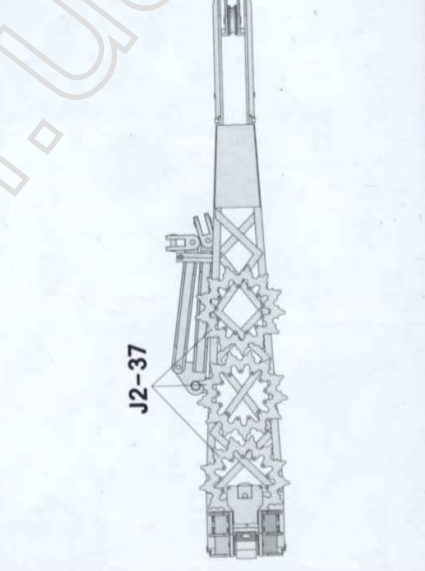
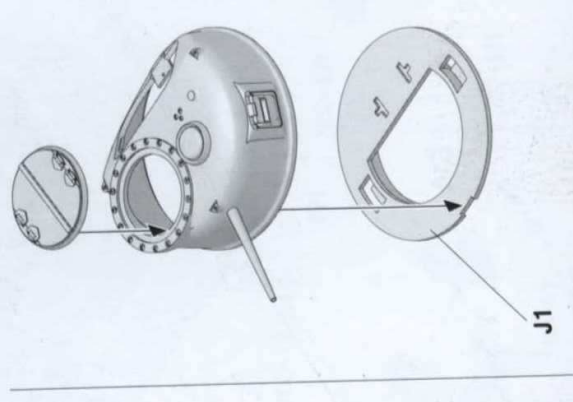
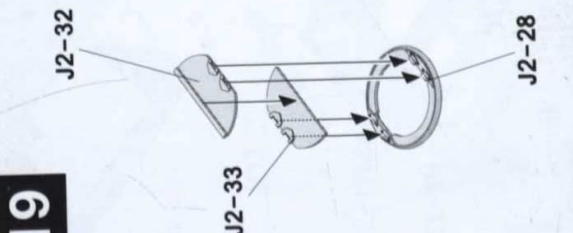
18



20

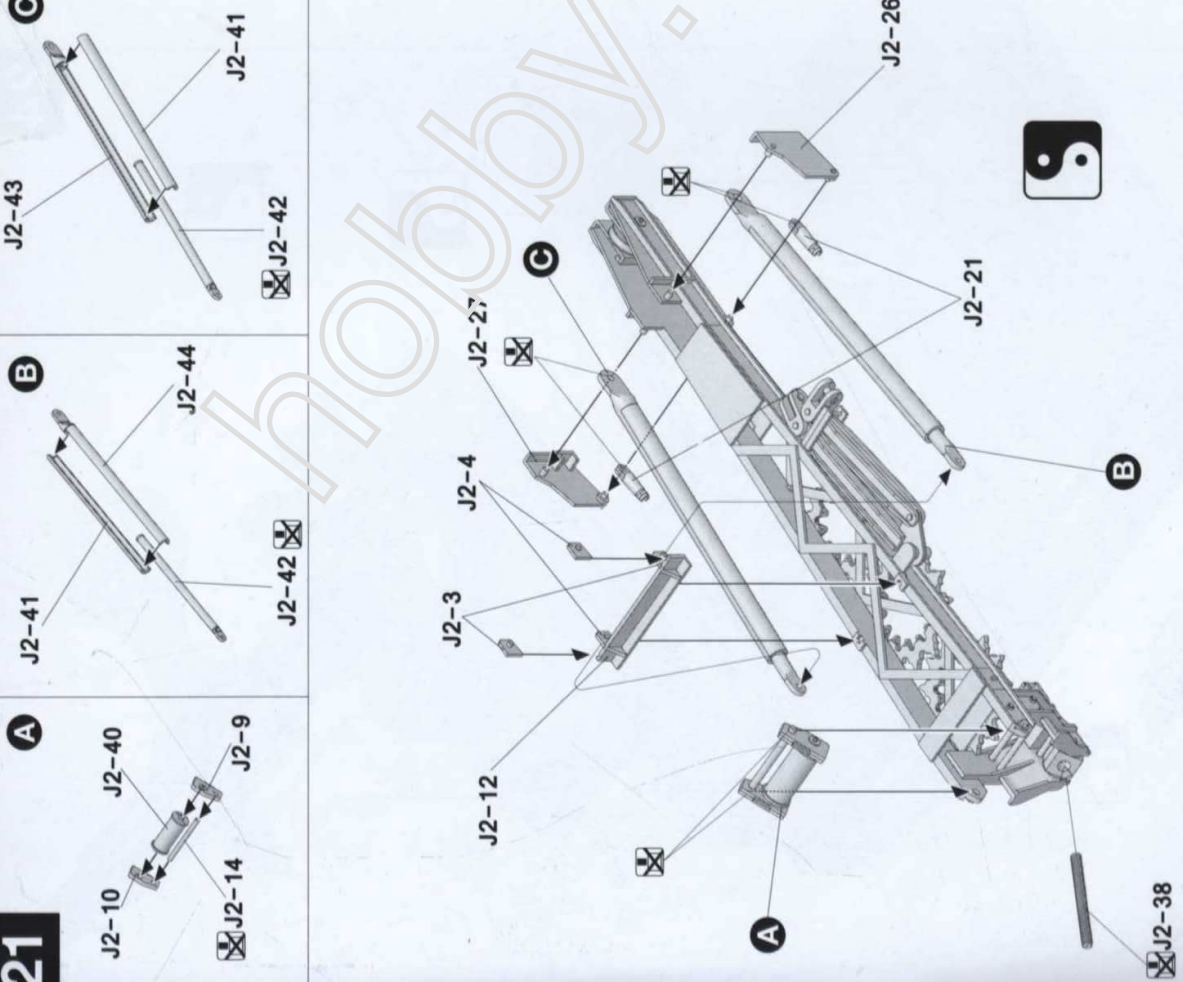
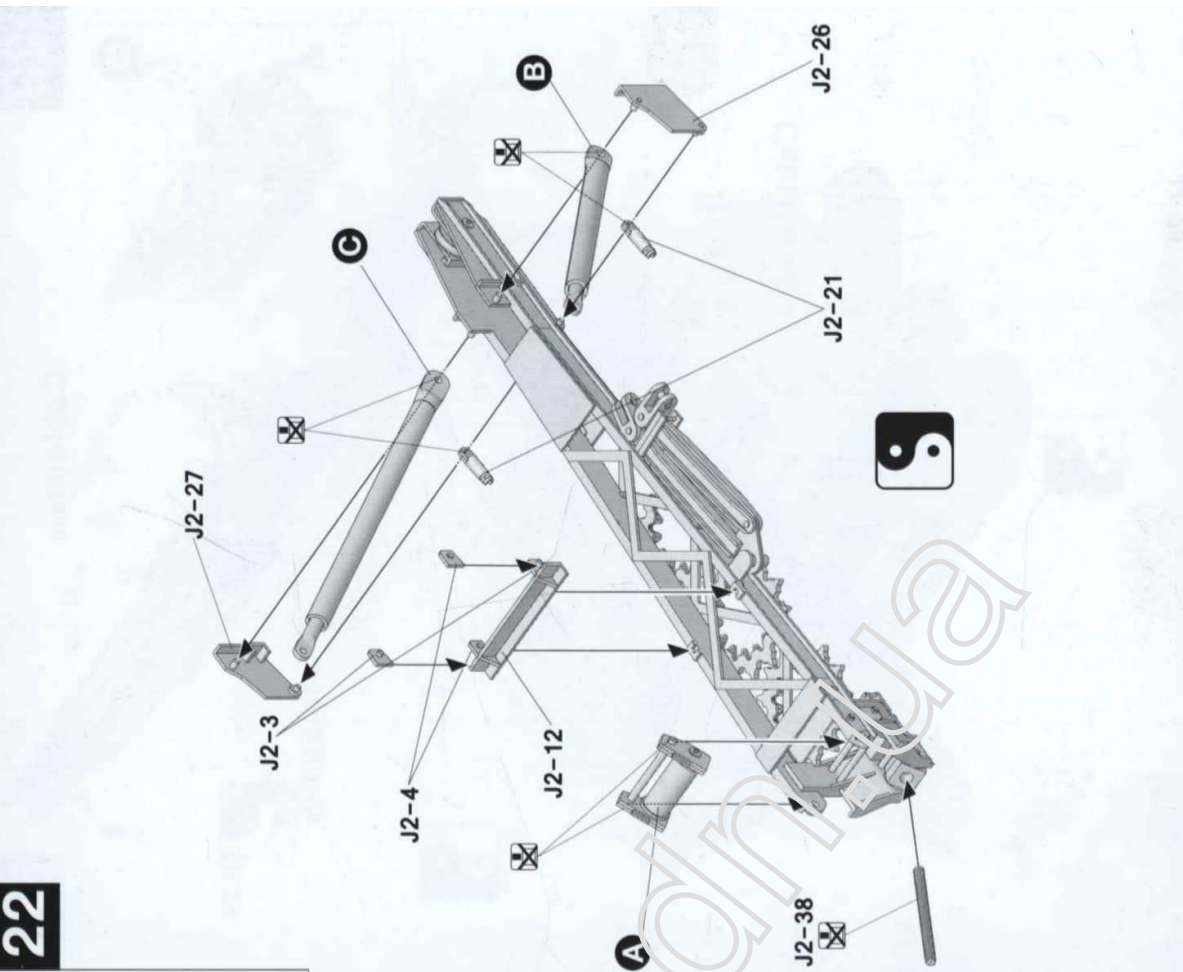
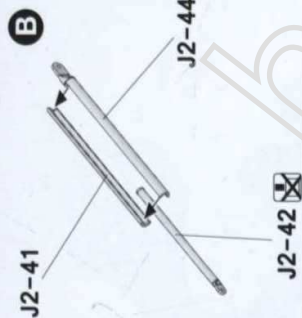
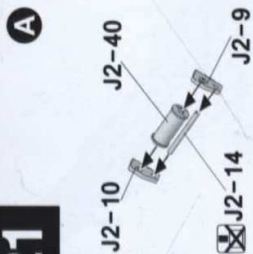


19

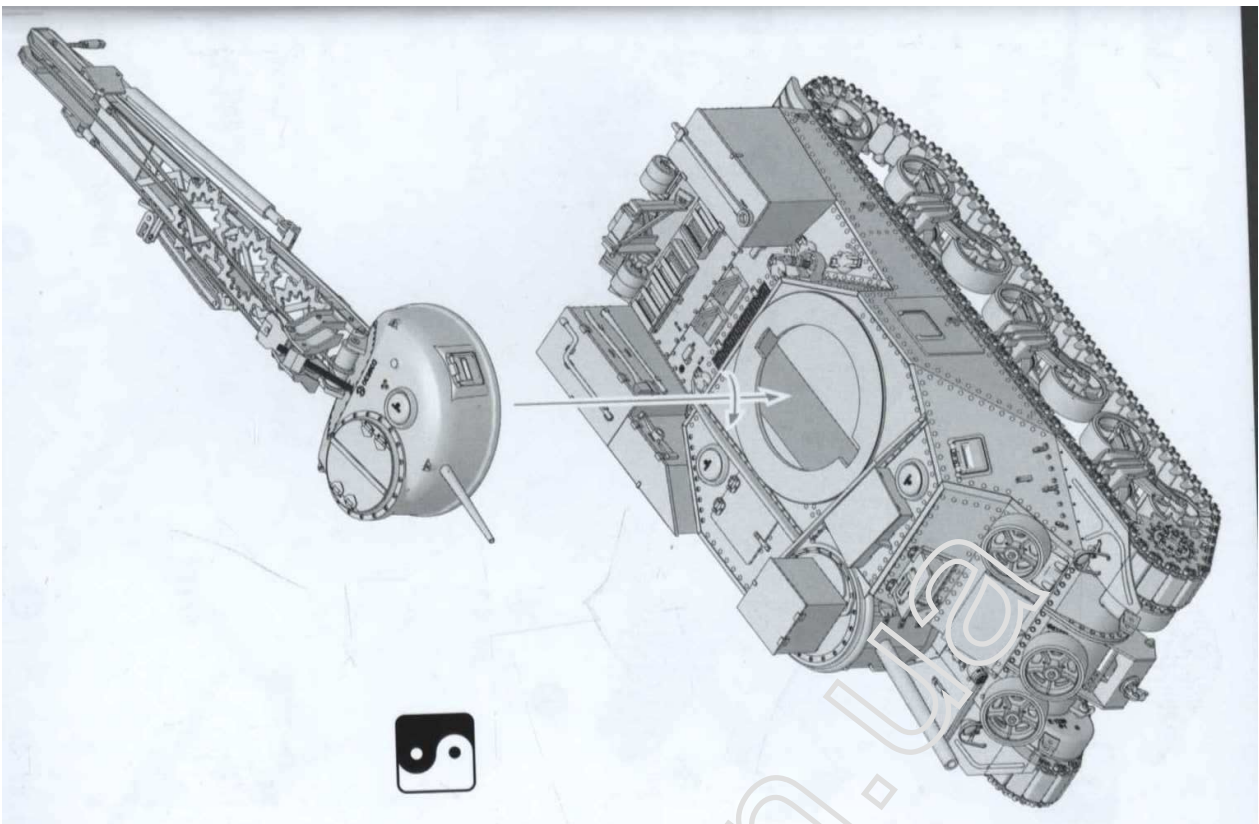


21

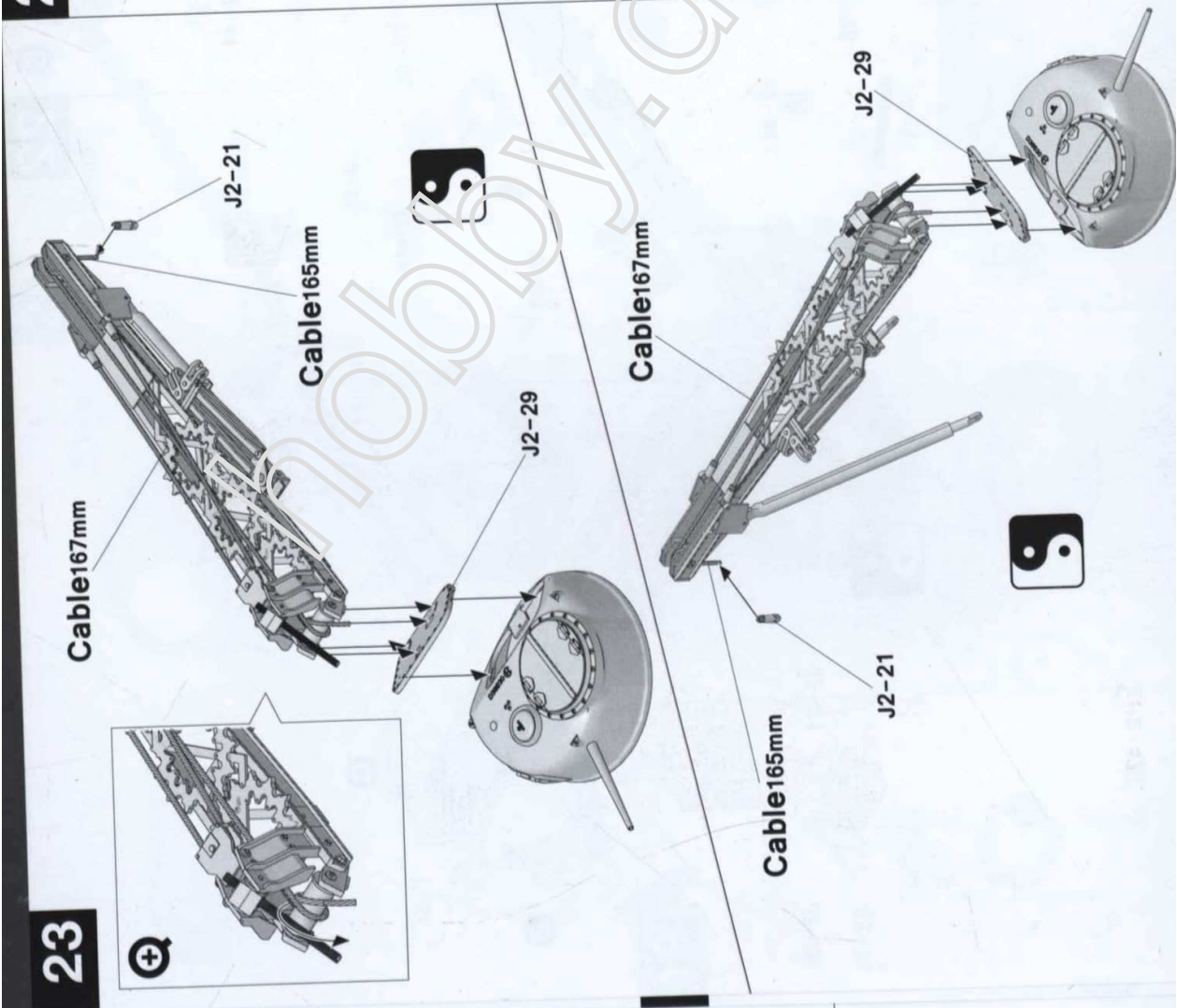
22

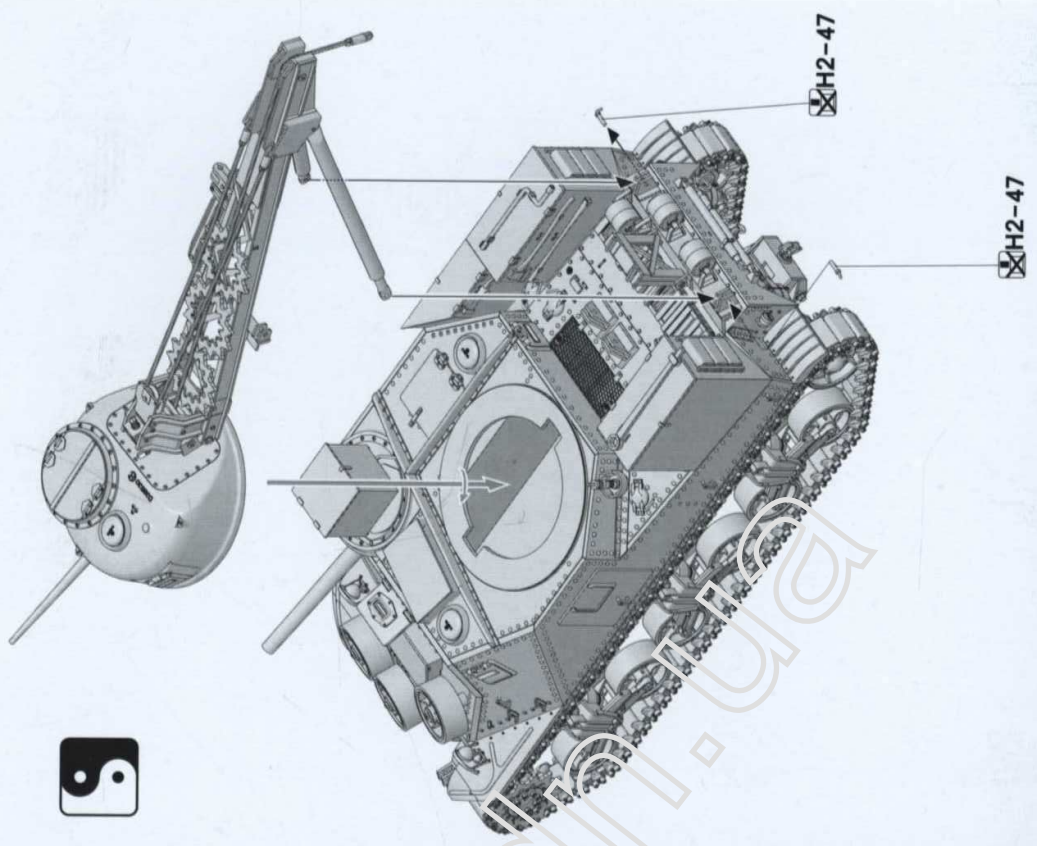
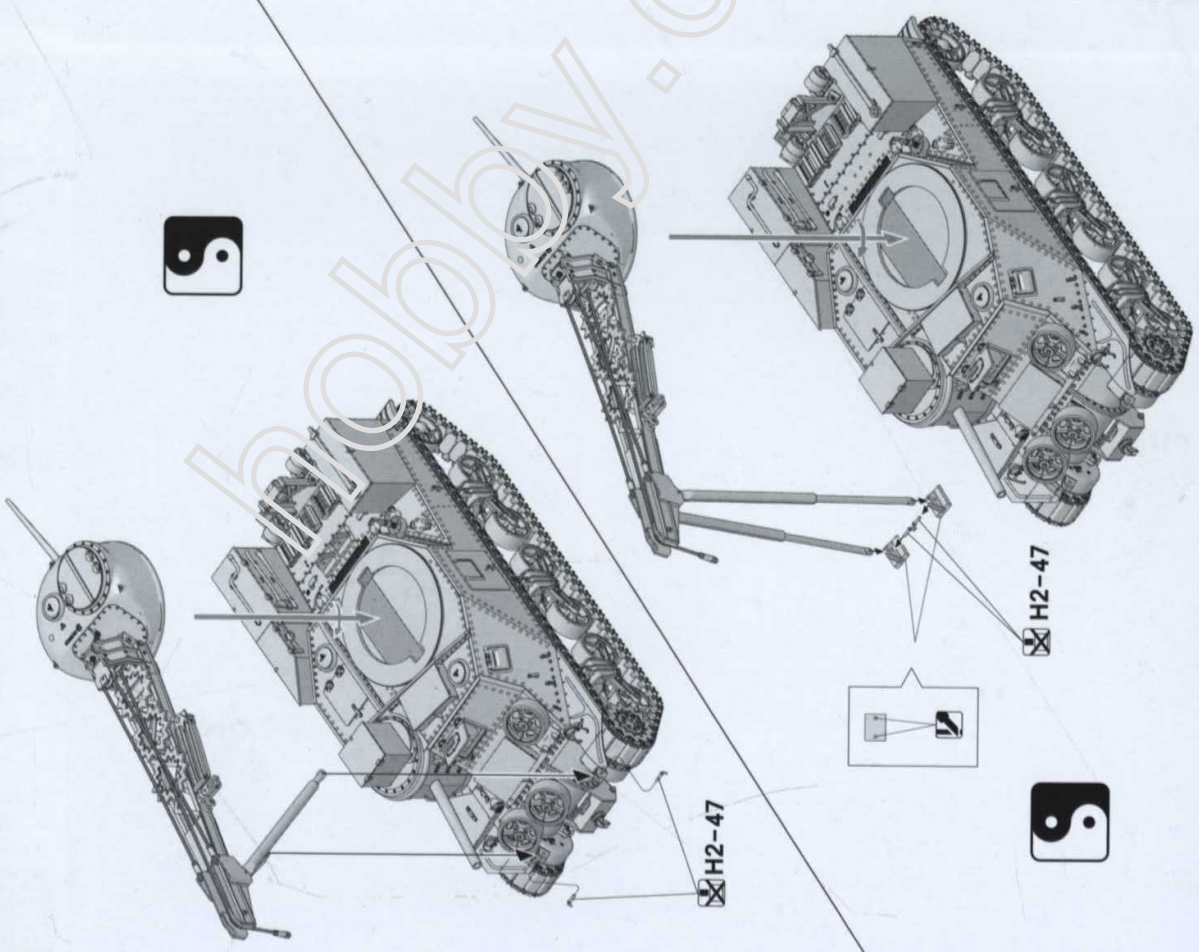


24



23





03.03.2088



Color info and profiles by



Painting and Marking Guide

1st Armored Regiment, Service Company, El Gueibator,
Tunisia, April 1943



Painting and Marking Guide

2nd Armored Division, 3rd Armored Regiment,
GEORGIA ON MY MIND, SV 38, Operation Husky,
July 1943



TAKOM US Tank Recovery Vehicle M31 Ref: 2088