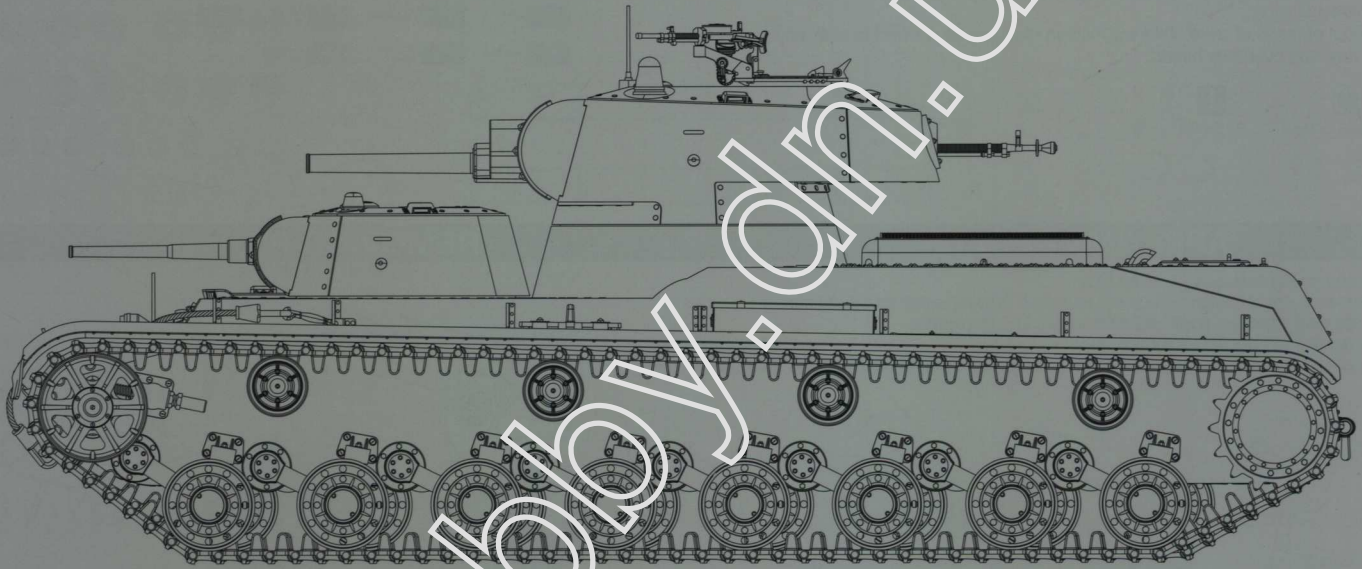


SOVIET HEAVY TANK SMK



Named after Sergei Mironovich Kirov, a Communist Party official assassinated in 1934, the SMK was among the designs competing to replace the unreliable and expensive T-35 multi-turreted heavy tank. A design team under Josef Kotin at the Kirovskii Works at Leningrad designed the tank, which was later misidentified by German intelligence as the T-35C. Powered by the 850 hp Mikulin GAM-34T liquid cooled aircraft engine, the tank featured torsion bar suspension and could reach a top speed of 35 km/h (22 mph) with its 7-man crew. The SMK's main armament was a 76.2 mm L-11 main gun in the main upper turret and a 45 mm M-1932 gun in the lower forward turret, supplemented by three 7.62mm DT machine guns. Only one was built, and after trials showing the downsides of its weight and size against the KV tank (and brief service with the 91st Tank Battalion of the 20th Heavy Tank Brigade at the Battle of Summa in the 'Winter War' with Finland in 1939-40, where it was immobilized by an anti-mine and left unrecovered for 2 months), the project was dropped in favor of the KV.

03.02.2112

READ BEFORE ASSEMBLY

CAUTION

- Read carefully and fully understand the instructions before commencing assembly. A supervising adult should also read the instructions if a child assembles the model.
- When assembling this kit, tools including knives used. Extra care should be taken to avoid personal injury.
- Keep out of reach of small children. Children must not be allowed to suck any part, or pull vinyl bag over their heads.



Instant Glue for Metal



Be Careful

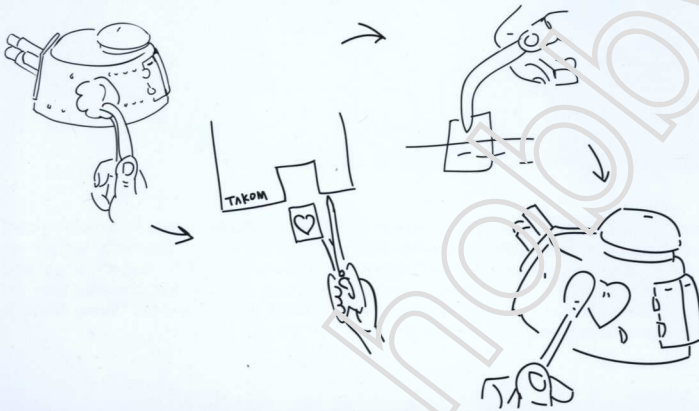
PAINTS REQUIRED

Color info and profiles by Mig Jimenez

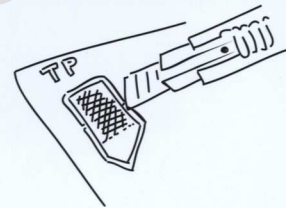
A.MIG.022	3B AU	A.MIG.030	Dark Tracks	A.MIG.045	Gun Metal	A.MIG.036	Old Wood
A.MIG.185	Silver	A.MIG.034	Crystal	A.MIG.024	Washable White Camo	A.MIG.023	Protective Green
A.MIG.046	Mat Black	A.MIG.020	Lighter Brown	A.MIG.021	7K Russian Tan		

APPLYING DECALS

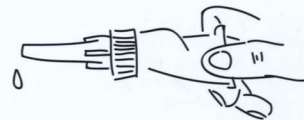
1. Clean the model surface with a wet cloth.
2. Cut out each decal design from sheet, and dip it in tepid water for 15~20 sec.
3. Hold the backing sheet edge and slide decal onto the model.
4. Move decal into position by wetting decal with finger.
5. Press decal gently down with a soft cloth until excess water and air bubbles are gone.



REMOVING PE



Be careful not to hurt when removing PE parts.

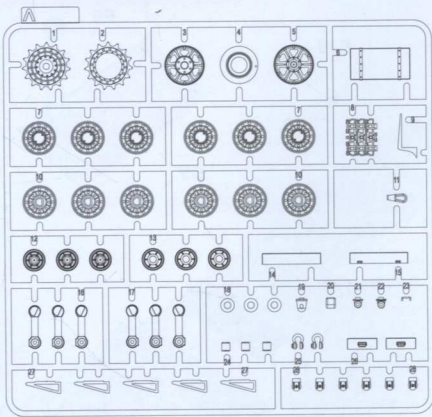


Secure using instant glue (not included).

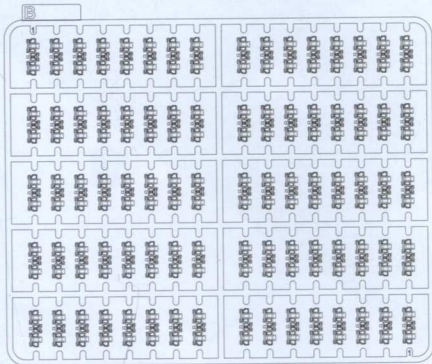


Finish using file.

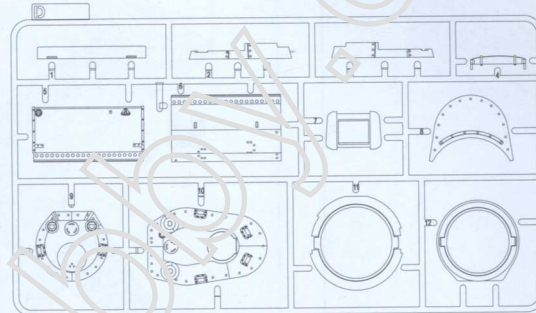
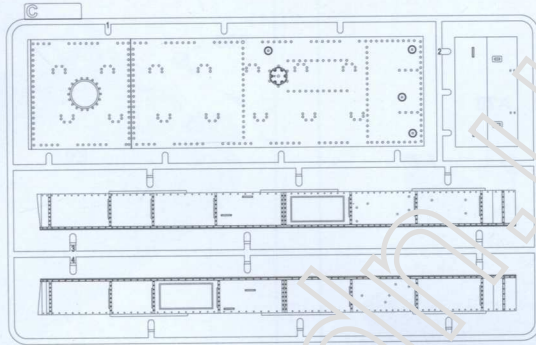
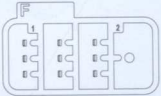
PARTS



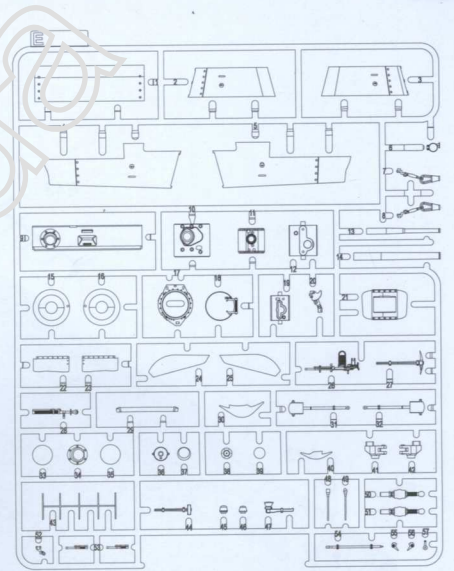
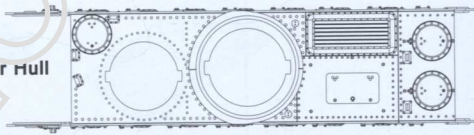
X3



X3



Upper Hull



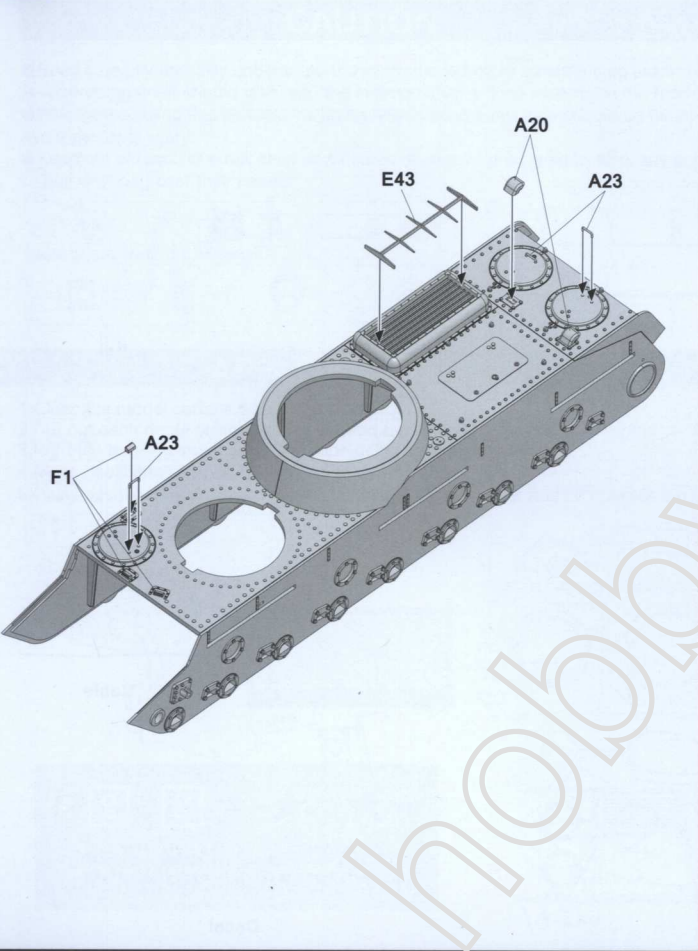
TP

Cable

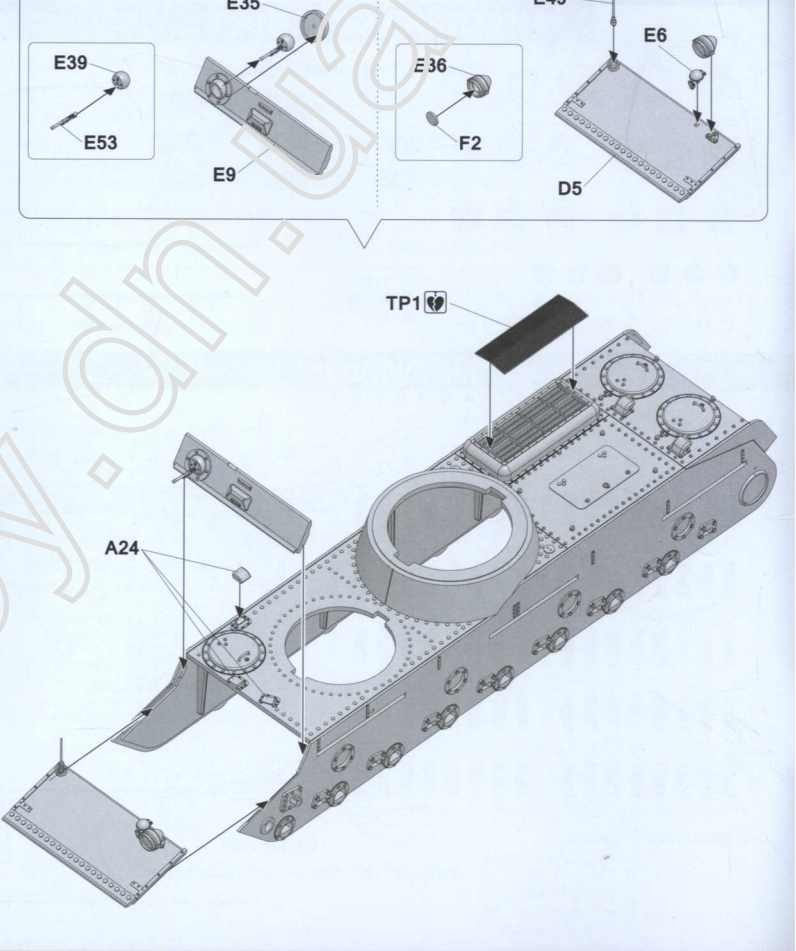


Decal

1

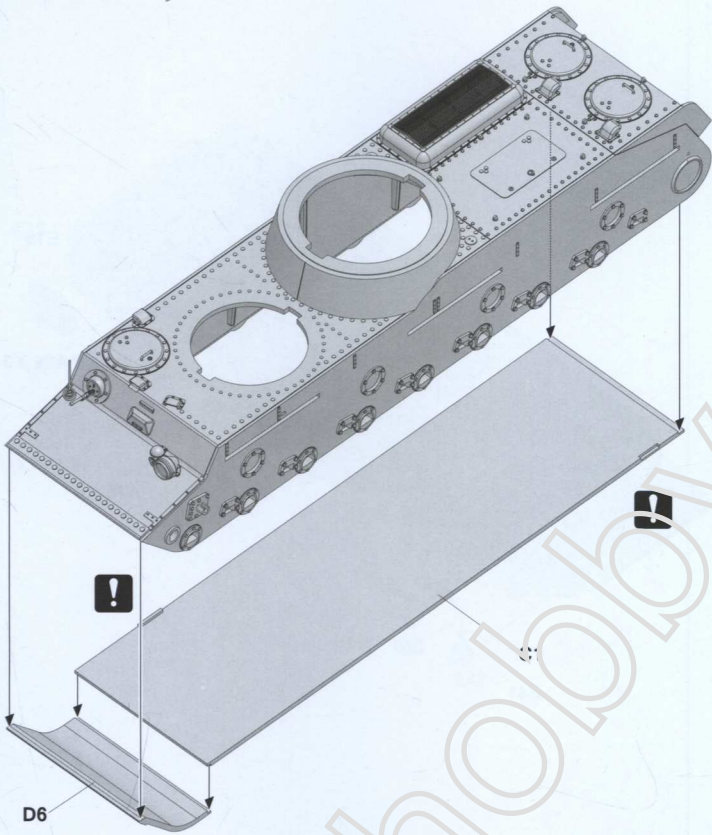


2

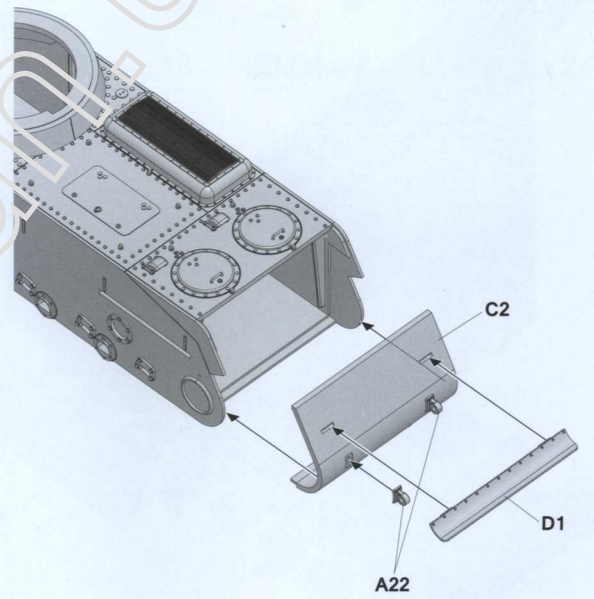


3

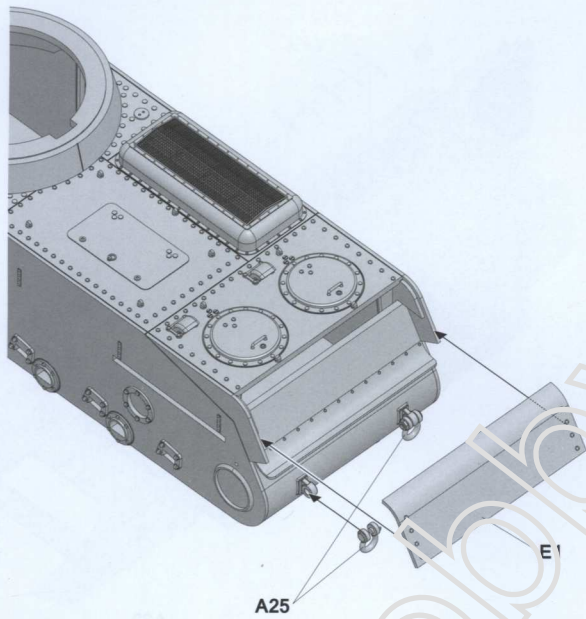
3



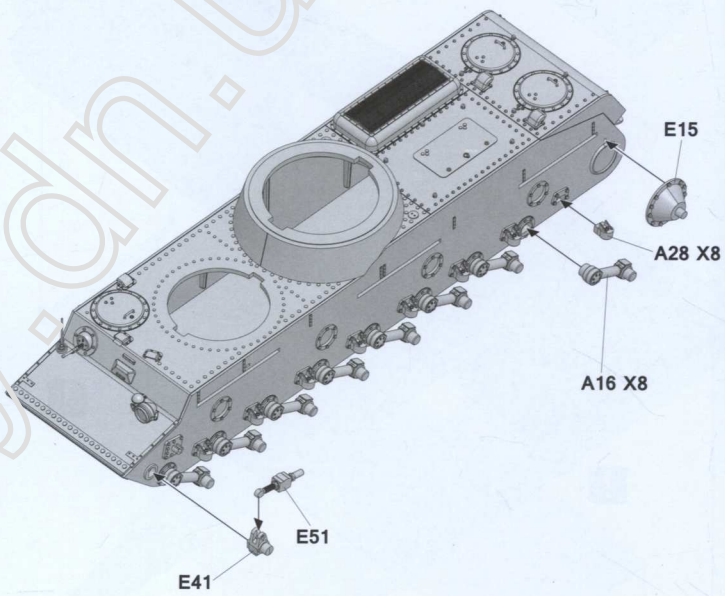
4



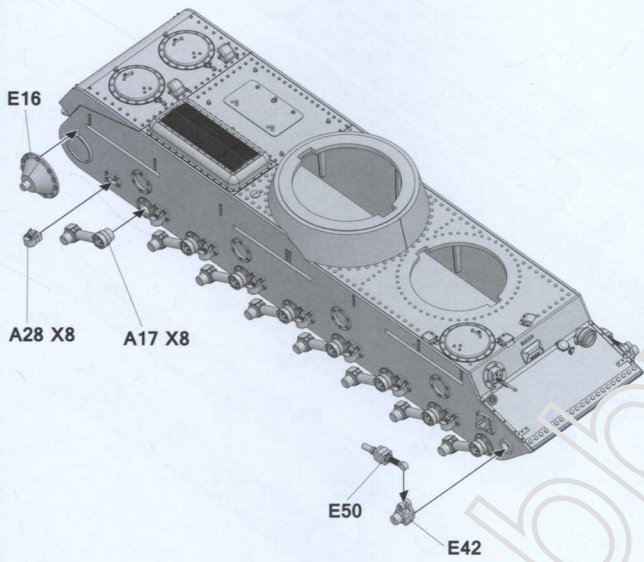
5



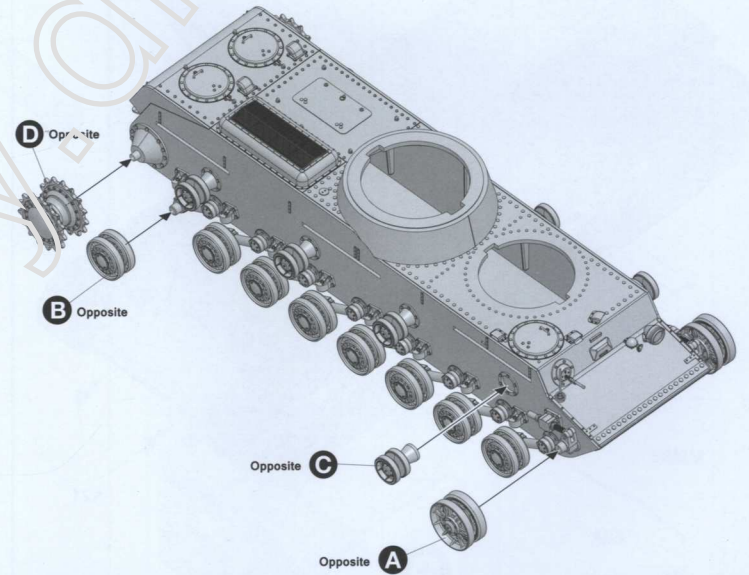
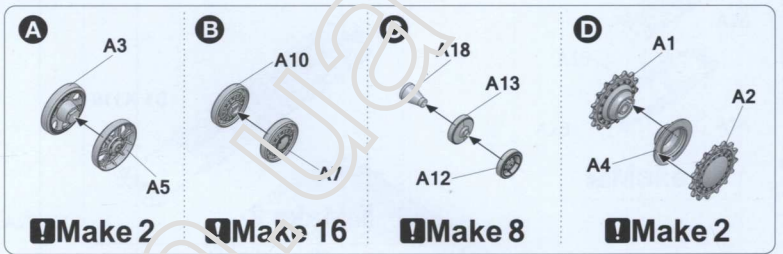
6



7

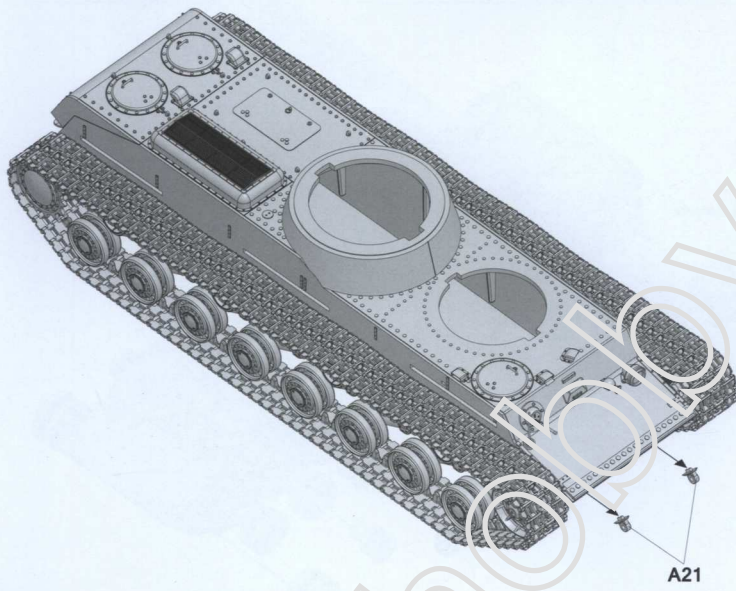
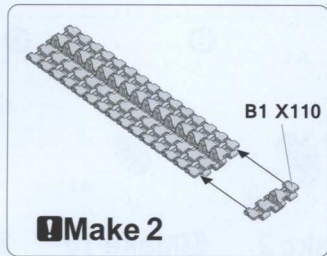


8

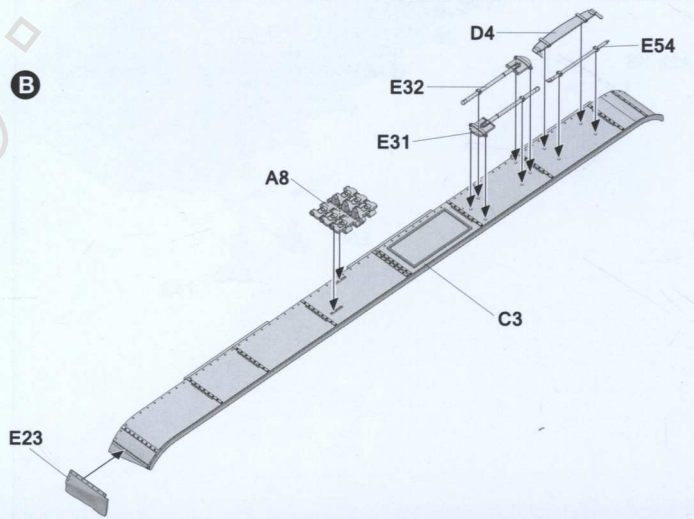
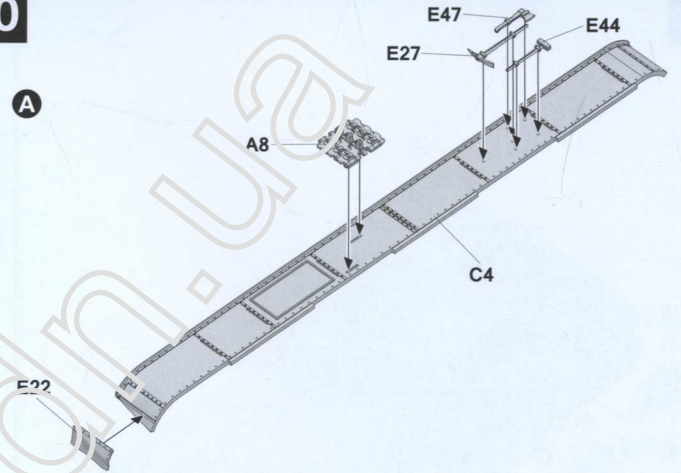


6

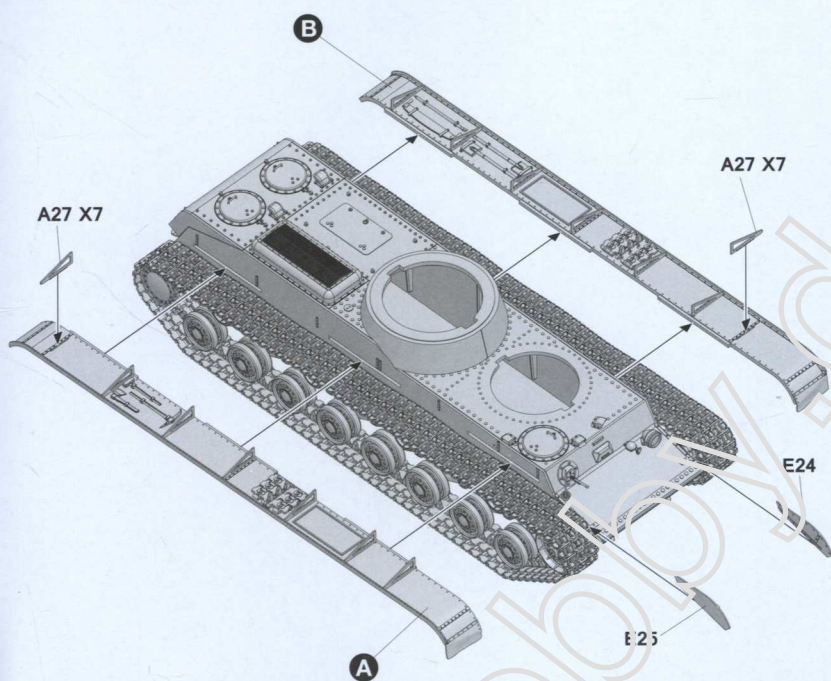
9



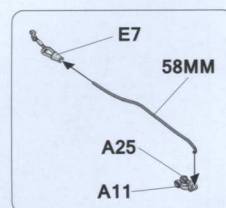
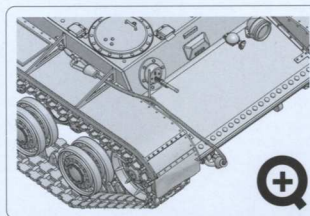
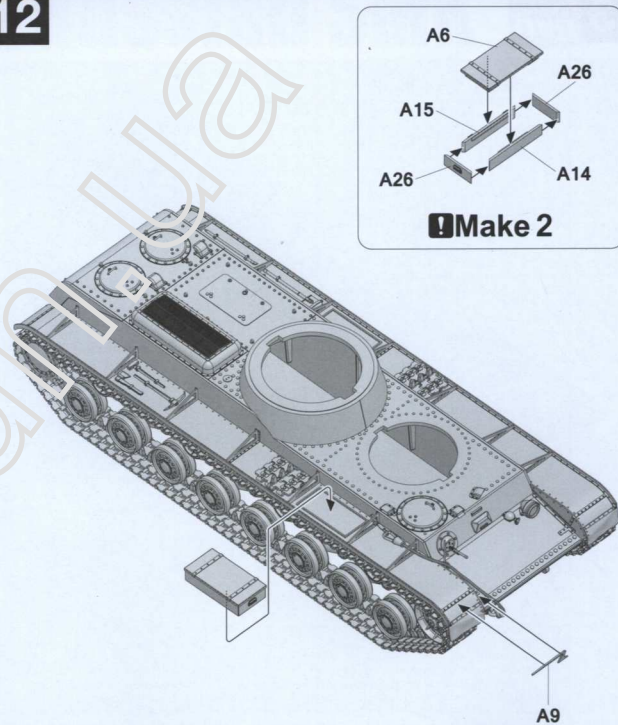
10



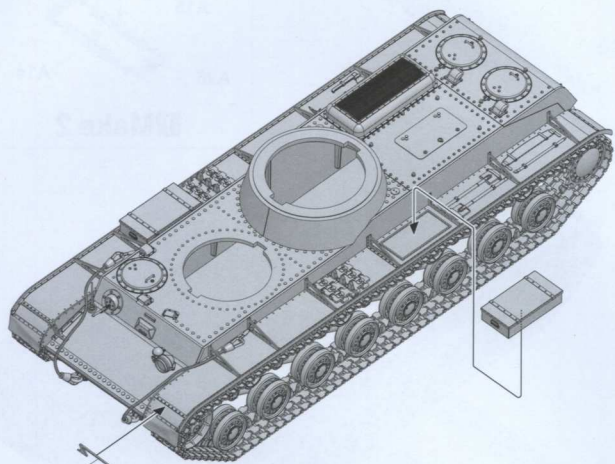
11



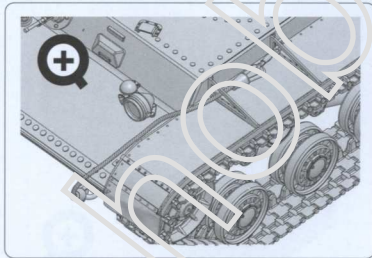
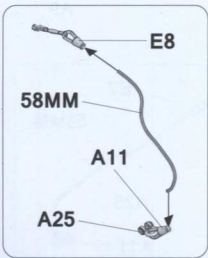
12



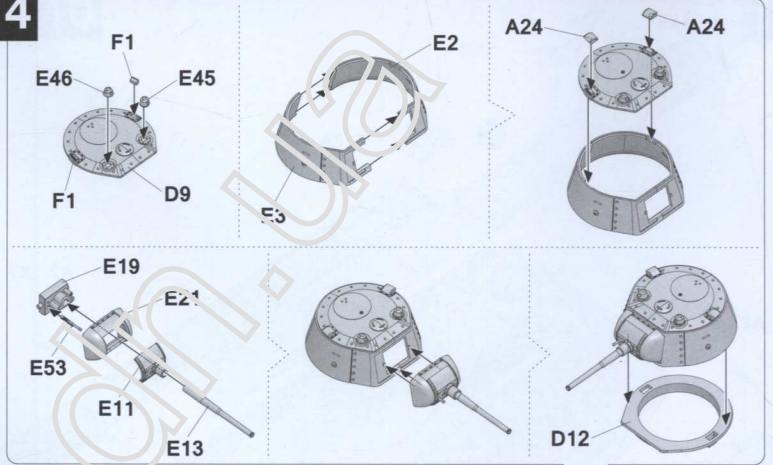
13



A9



14



F1
E46
E45
D9
F1

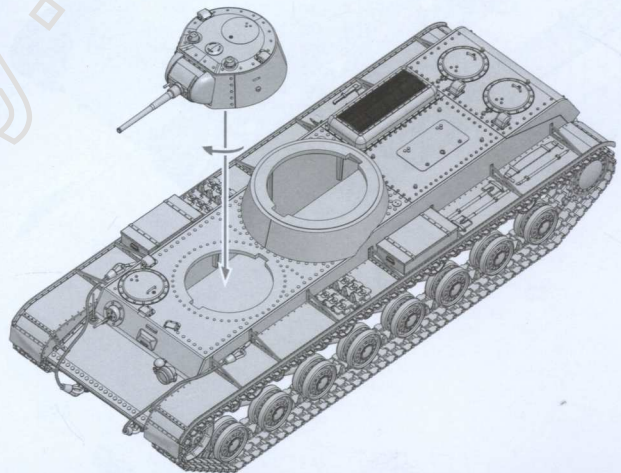
E2
E3

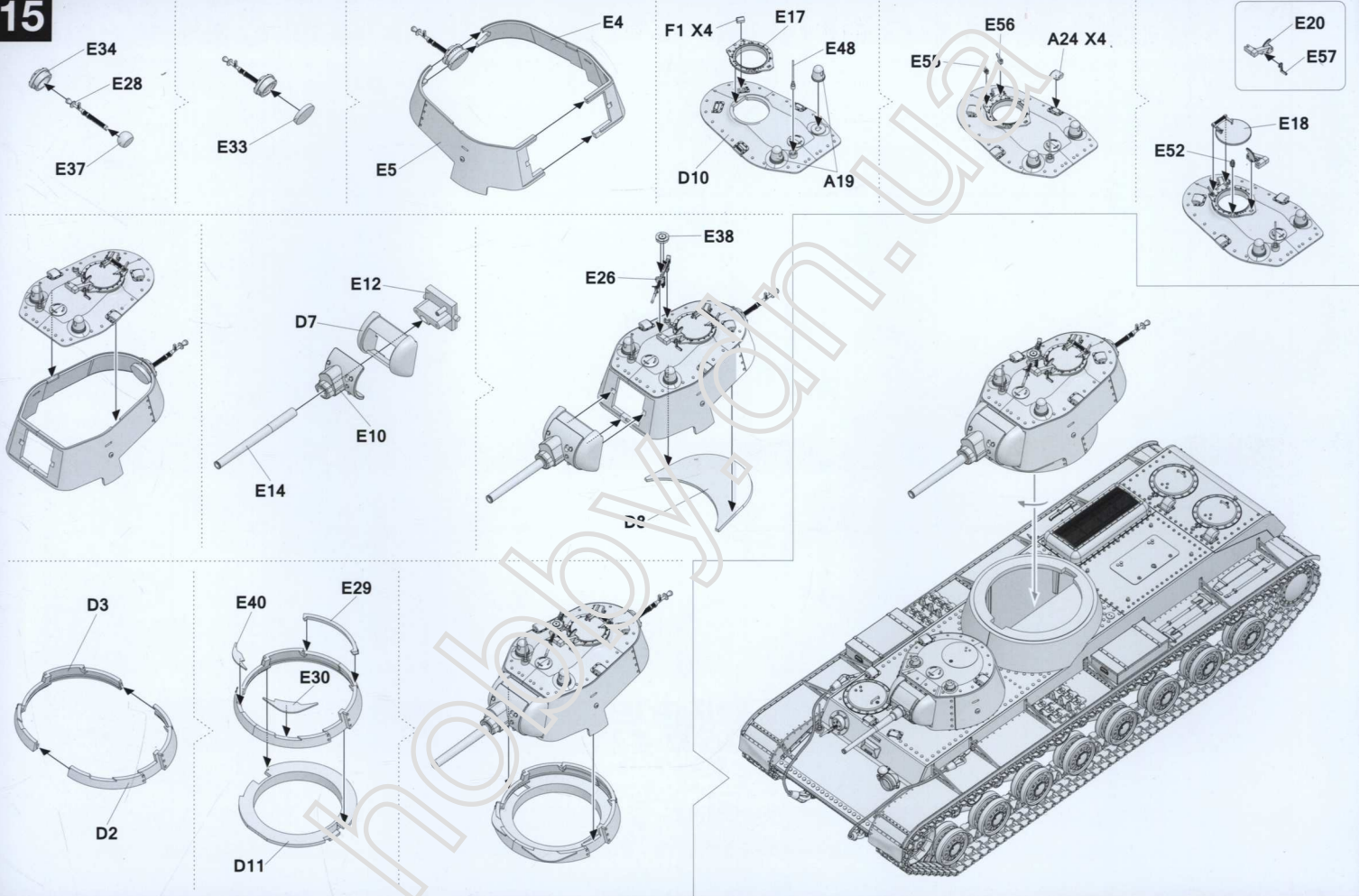
A24
A24

E19
E21
E53
E11
E13

E2

D12





03.03.2112



Russian SMK

www.migimenez.com



Painting and Marking Guide

TAKOM Ref: 2112

1/35 Russian SMK

Kubinka Testing Grounds, August 1939.



WEATHERING STEPS WITH AMMO PRODUCTS

- | | | | |
|--|---|--|--|
| 1 GENERAL WASH
A.MIG-1011 Black Wash | 2 STREAKING
A.MIG-1206 Dark Streaking Grime | 3 DUST
A.MIG-3004 Europe Earth | 7 HEAVY MUD
A.MIG-1702 Turned Earth |
| 2 FILTER
A.MIG-1508 Green for Grey Green | 4 TRACK WASH
A.MIG-1002 Tracks Wash | 5 SPLASHES
A.MIG-1751 Dry Steppe | 8 GREASE & OIL
A.MIG-1408 Fresh Engine Oil |

03.03.2112



Russian SMK

www.migimenez.com

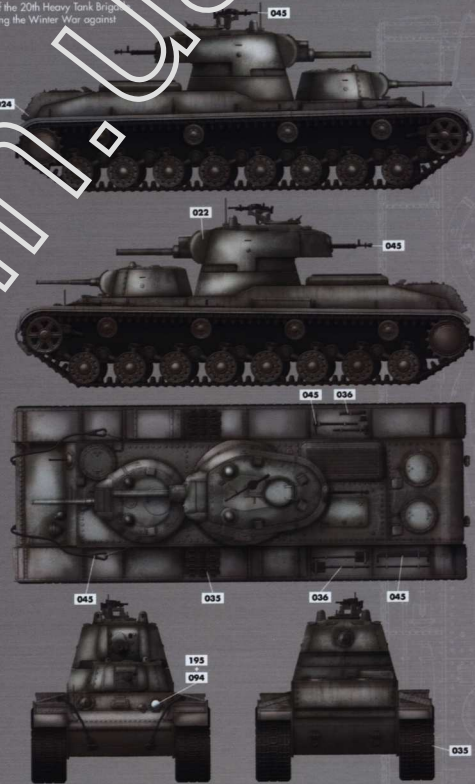


Painting and Marking Guide

TAKOM Ref: 2112

1/35 Russian SMK

91st Tank Battalion of the 20th Heavy Tank Brigade, Battle of Summa during the Winter War against Finland 1939-40.



WEATHERING STEPS WITH AMMO PRODUCTS

- | | | | |
|---|--|--|--|
| 1 GENERAL WASH
A.MIG-1010 Neutral Wash | 3 STREAKING
A.MIG-1205 Streaking Grime for Winter Vehicles | 5 DUST
A.MIG-3007 Dark Earth | 7 HEAVY MUD
A.MIG-1705 Wet Mud |
| 2 FILTER
A.MIG-1502 Dark Grey for White | 4 TRACK WASH
A.MIG-1002 Tracks Wash | 6 SPLASHES
A.MIG-1754 Damp Earth | 8 GREASE & OIL
A.MIG-1408 Fresh Engine Oil |

03.03.2112



Russian SMK

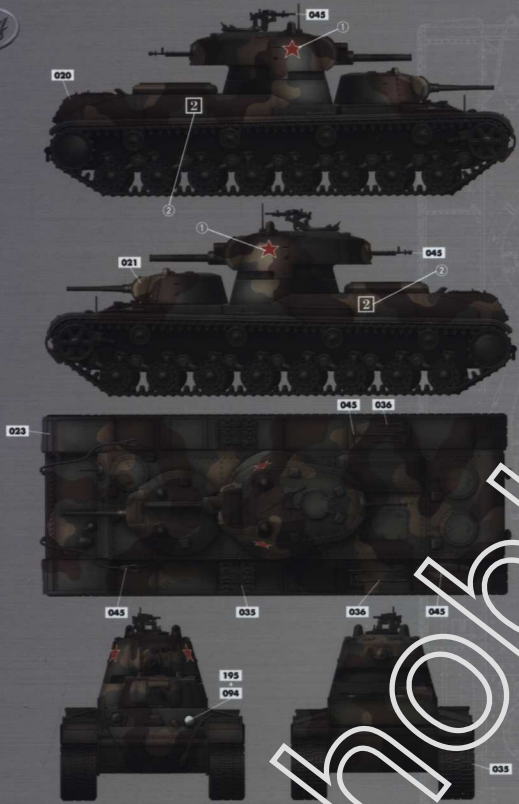
www.migjimenez.com



Painting and Marking Guide

TAKOM Ref: 2112
1/35 Russian SMK

- A.MIG 023 Protective Green
- A.MIG 020 7K Russian Brown
- A.MIG 021 7K Russian Tan
- A.MIG 035 Dark Tracks
- A.MIG 045 Gun Metal
- A.MIG 036 Old Wood
- A.MIG 195 Silver
- A.MIG 094 Crystal Glass



WEATHERING STEPS WITH AMMO PRODUCTS

- 1 GENERAL WASH**
A.MIG-1000 Dark Brown Wash for Green Vehicles
- 2 FILTER**
A.MIG-1510 TAN for 3 Tone Camo
- 3 STREAKING**
A.MIG-1203 Streaking Greenie
- 4 TRACK WASH**
A.MIG-1002 Tracks Wash
- 5 DIRT**
A.MIG-3013 Rubble
- 6 SPLASHES**
A.MIG-1753 Turned Dirt
- 7 HEAVY MUD**
A.MIG-1704 Heavy Earth
- 8 GREASE & OIL**
A.MIG-1408 Fresh Engine Oil

03.03.2112



Russian SMK

www.migjimenez.com



Painting and Marking Guide

TAKOM Ref: 2112
1/35 Russian SMK

- A.MIG 023 Protective Green
- A.MIG 020 7K Russian Brown
- A.MIG 021 7K Russian Tan
- A.MIG 046 Matt Black
- A.MIG 035 Dark Tracks
- A.MIG 045 Gun Metal
- A.MIG 036 Old Wood
- A.MIG 195 Silver
- A.MIG 094 Crystal Glass



WEATHERING STEPS WITH AMMO PRODUCTS

- 1 GENERAL WASH**
A.MIG-1000 Dark Brown Wash for Green Vehicles
- 2 FILTER**
A.MIG-1506 Brown for Dark Green
- 3 STREAKING**
A.MIG-1208 Rainmarks Effects
- 4 TRACK WASH**
A.MIG-1002 Tracks Wash
- 5 DIRT**
A.MIG-3012 Sand
- 6 SPLASHES**
A.MIG-1750 Dry Earth
- 7 HEAVY MUD**
A.MIG-1701 Thick Silt
- 8 GREASE & OIL**
A.MIG-1408 Fresh Engine Oil