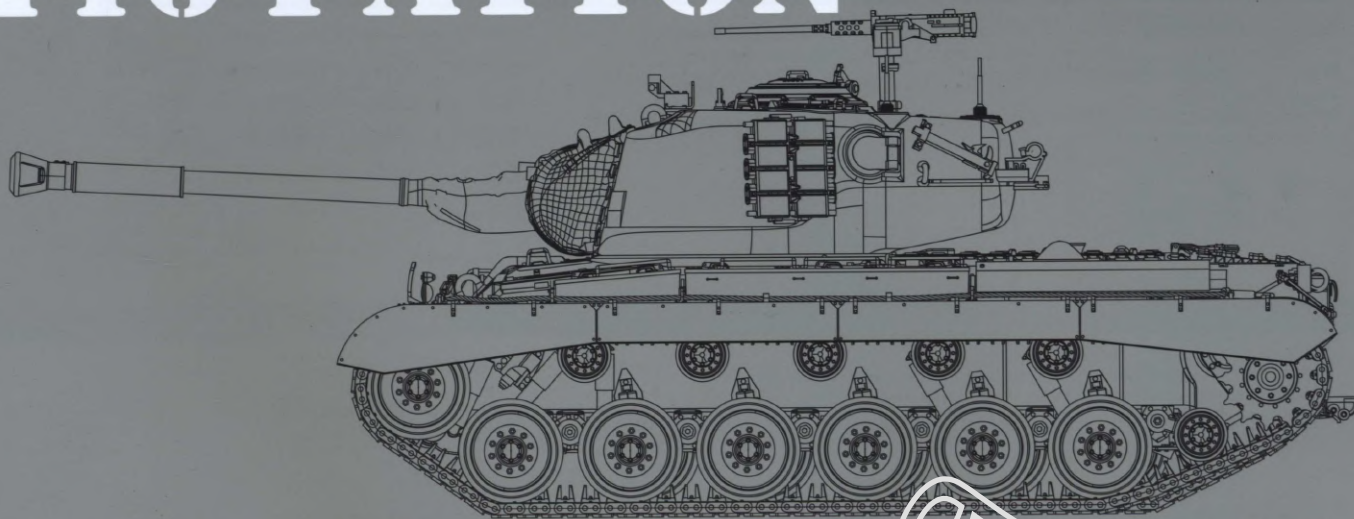


M46 PATTON US MEDIUM TANK



After determining multiple weaknesses & shortcomings in the M26 Pershing tank after WWII, it was decided that the vehicle would go through various upgrades. Revisions included a new engine and transmission system combined with strong armor protection and the proven 90mm main gun. This improved tank was first designated M26E2' carrying on the Pershing family name. However, upgrades & revisions became so numerous that it essentially became an entirely new tank, and in 1949 was ultimately redesignated M46' by the ordnance bureau and renamed in honor of American 4-general George S. Patton, commander of the U.S. Third Army during WWII. In total, some 800 M26's were rebuilt into M46's at the Detroit Tank Arsenal.

Based on the hull of the M26, the 48.5 ton M46 was powered by the 810 horsepower Continental AVDS-1790-5A series V-12, air-cooled, turbo-turbo, gasoline engine coupled with a General Motors/Allison CD-850-3 series cross drive transmission system with 2 forward gears and 1 reverse gear, resulting in the engine compartment being extended by a foot in length and a complete redesign of the deck. In addition, the drive sprockets were repositioned further to the upper rear and small track-tension idlers were installed behind the last road wheels. The M46 could reach a maximum speed of 30 mph (48 km/h) and enjoyed an operational range of 80 miles (130 km). The M46 utilized the turret from the M26 and was armed with the 90mm M3A1 main gun with a coaxial .30 caliber M1919A4 machine gun. The main gun featured a bore evacuator and a single baffle muzzle brake. 70 rounds of ammunition for the main gun were stored inside the tank, allowing the crew to select between HEAT, AP, and HE rounds. A second .30 caliber machine gun was mounted in the 5-inch (102mm) thick armored bow at the right of the driver's station, and a .50 caliber machine gun was mounted in a pintle on the turret roof. The vehicle was crewed by five men - the tank commander, driver, assistant driver/bow machine gunner, a dedicated gunner and a loader.

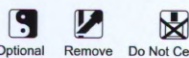
The first M46 Patton tanks (belonging to the 6th Tank Battalion) landed in South Korea on 8 August 1950, with some 200 arriving in country by the end of the year. The M46 Pattons proved far superior to the Soviet-built T-34/85-tanks fighting against them, and ultimately allowed all M26 Pershings & most M43 Shermans to be withdrawn by the end of 1951. The M46 was itself withdrawn from service soon after the end of fighting in Korea, but was temporarily leased in limited numbers to several NATO allies for training crews & mechanics how to operate it's replacement, the M47 Patton.

03.02.2117

READ BEFORE ASSEMBLY

CAUTION

- Read carefully and fully understand the instructions before commencing assembly. A supervising adult should also read the instructions if a child assembles the model.
- When assembling this kit, tools including knives used. Extra care should be taken to avoid personal injury.
- Keep out of reach of small children. Children must not be allowed to suck any part, or pull vinyl bag over their heads.



Optional Remove Do Not Cement

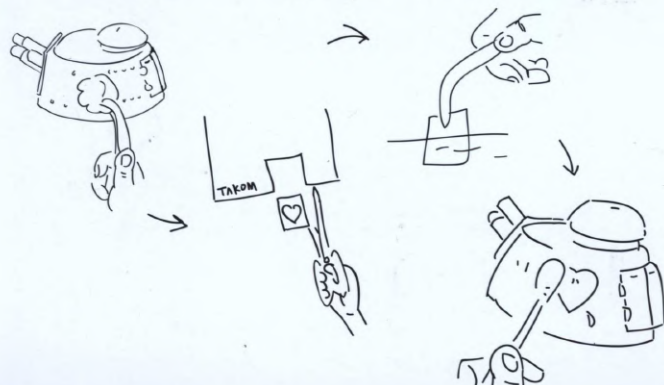
PAINTS REQUIRED

Color info and profiles by Mig Jimenez

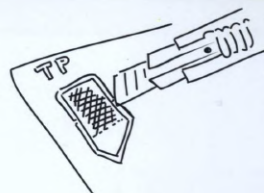
| | | | |
|--------------------------|-------------------------------|-----------------------------------|---------------------|
| A.MIG 033 Rubber & Tires | A.MIG 038 Dark Troops | A.MIG 032 Sooty Black | A.MIG 040 Gun Metal |
| A.MIG 093 Crystal Red | A.MIG 094 Crystal Glass | A.MIG 322 Olive Drab Dark | A.MIG 048 Yellow |
| A.MIG 050 Matt White | A.MIG 042 Old Rust | A.MIG 056 Crystal Periscope Green | A.MIG 199 Silver |
| A.MIG 071 Khaki | A.MIG 024 Washable White Camo | | |

APPLYING DECALS

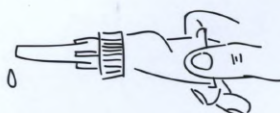
1. Clean the model surface with a wet cloth.
2. Cut out each decal design from sheet, and dip it in tepid water for 15-20 sec.
3. Hold the backing sheet edge and slide decal onto the model.
4. Move decal into position by wetting decal with finger.
5. Press decal gently down with a soft cloth until excess water and air bubbles are gone.



REMOVING PE



Be careful not to hurt when removing PE parts.

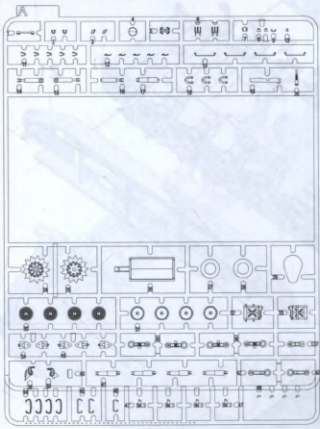


Secure using instant glue (not included).

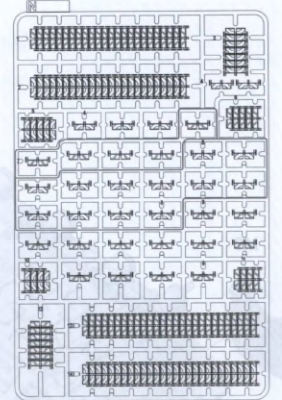
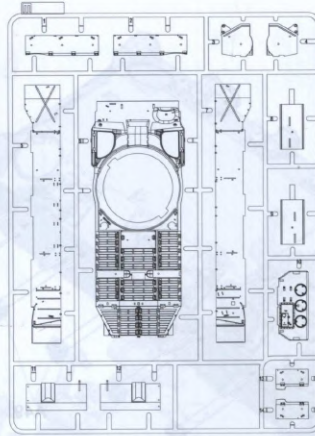
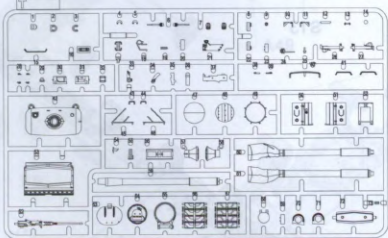
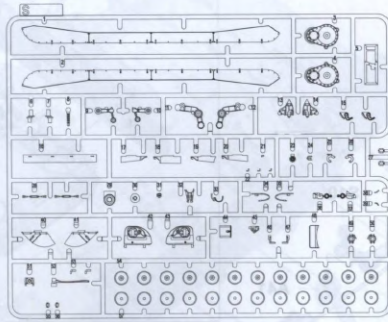


Finish using file.

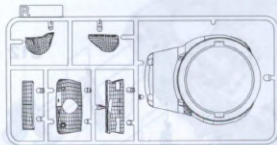
PARTS



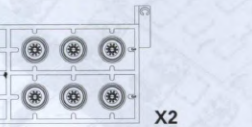
X2



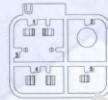
X2



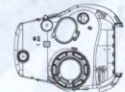
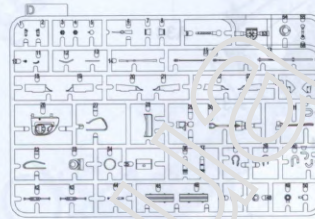
Z1



Z2



Lower Hull S11



Turret

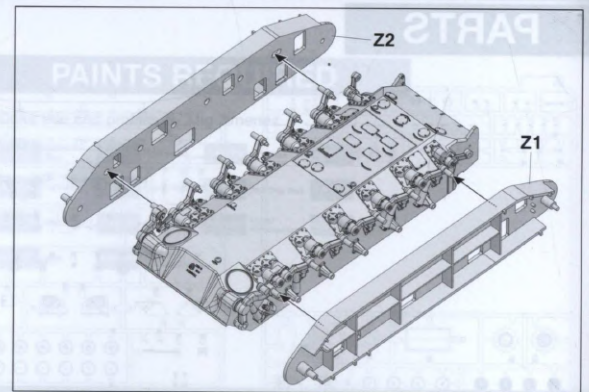
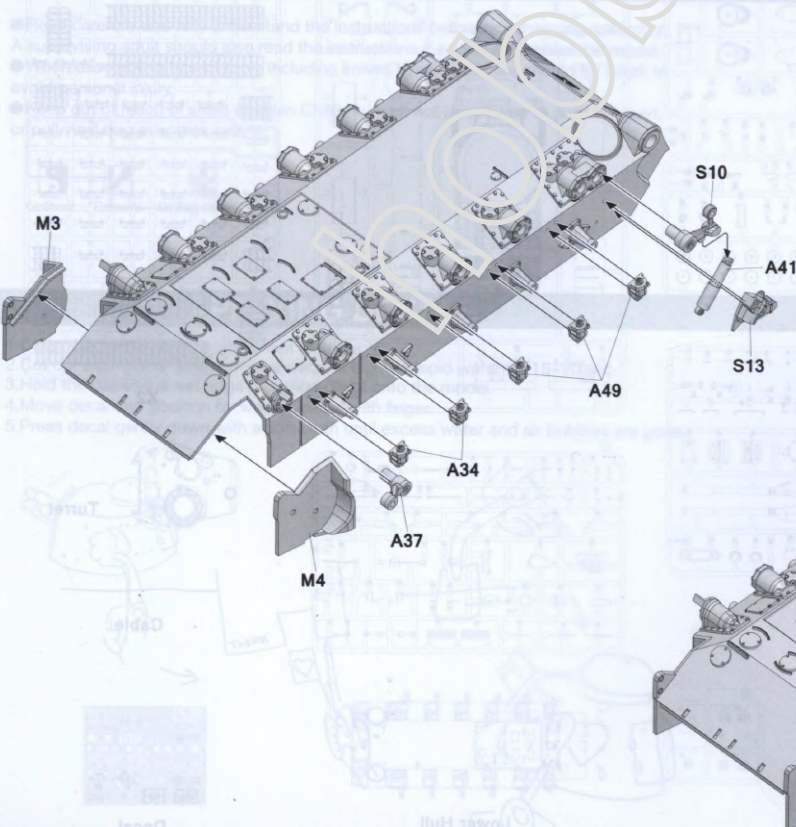
Cable



Decal

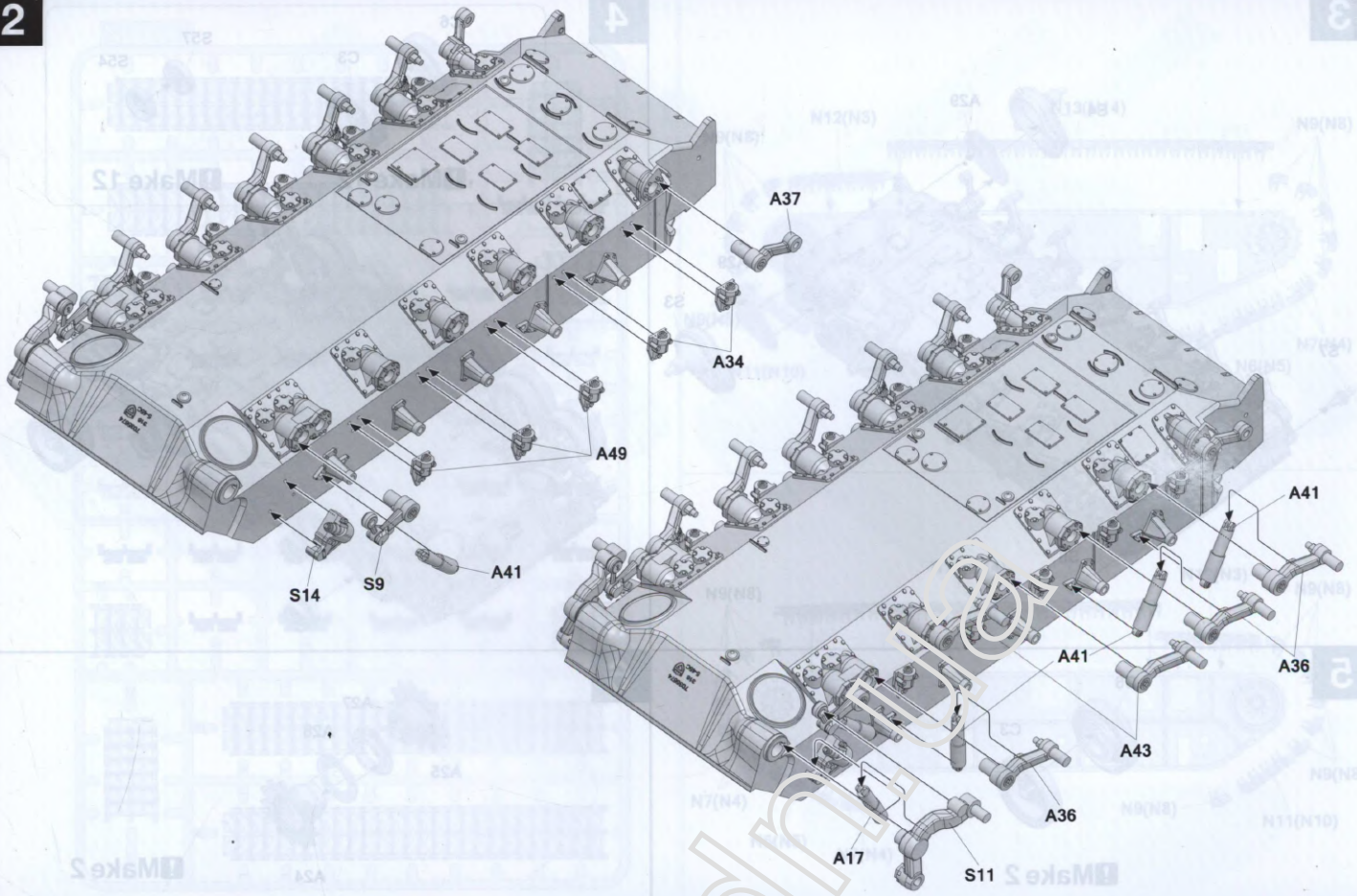
2

1



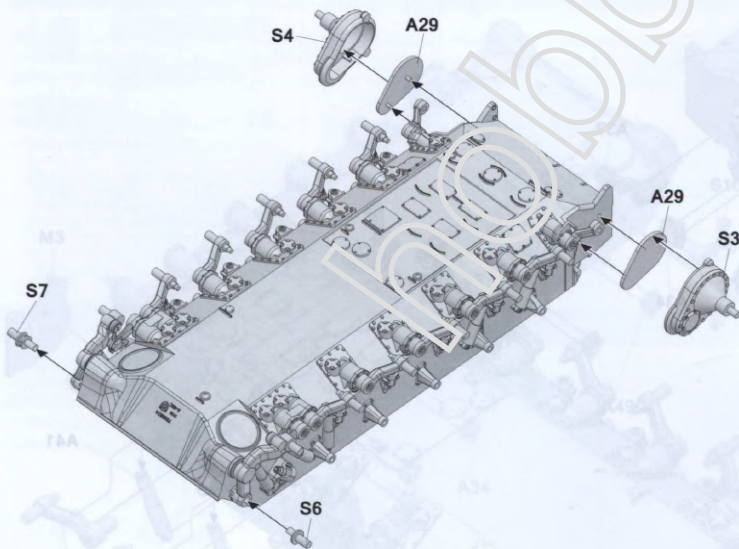
3

2

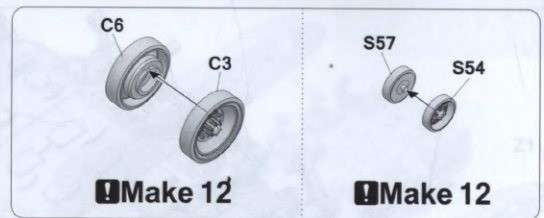


4

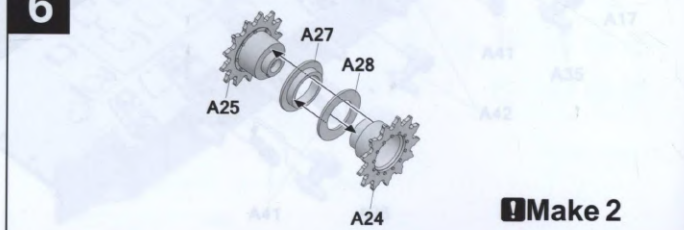
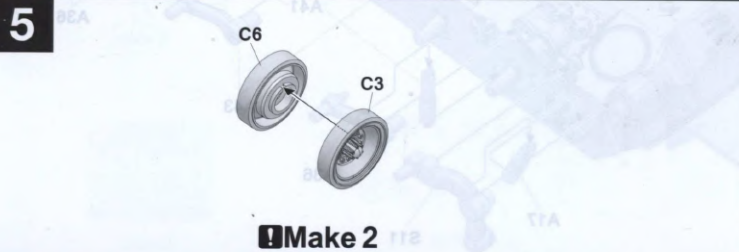
3



4

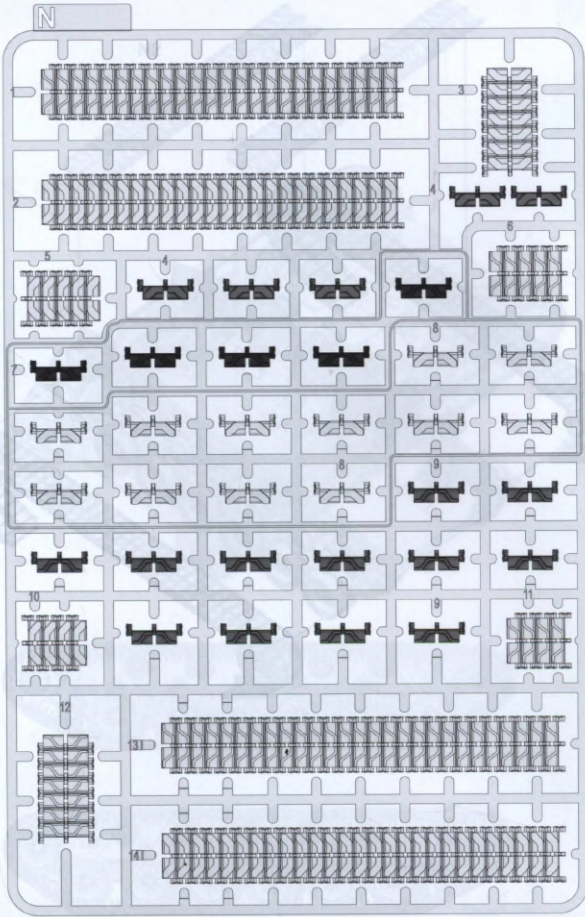


6

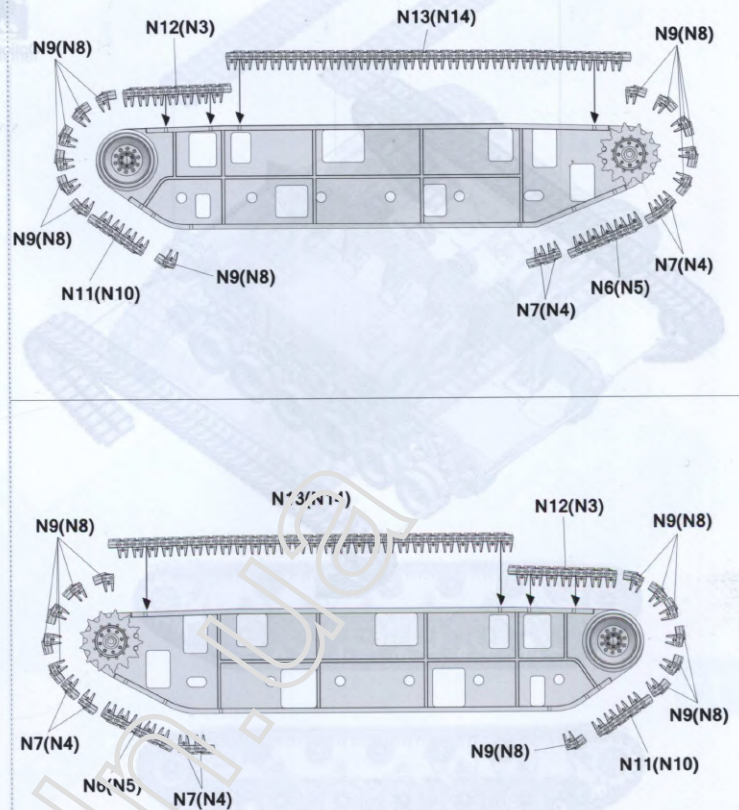


5

7

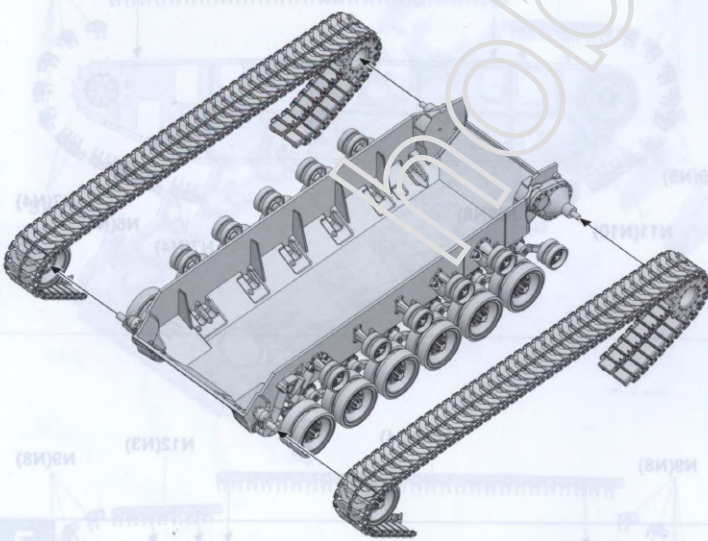


8

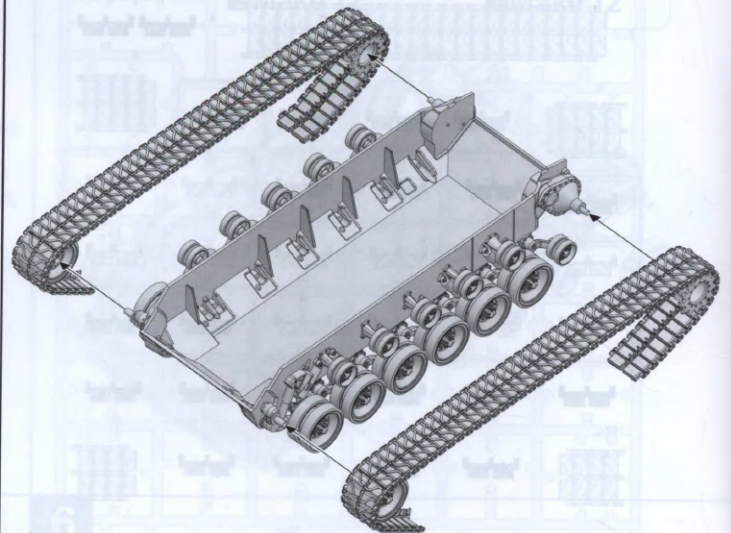


6

8



Optional

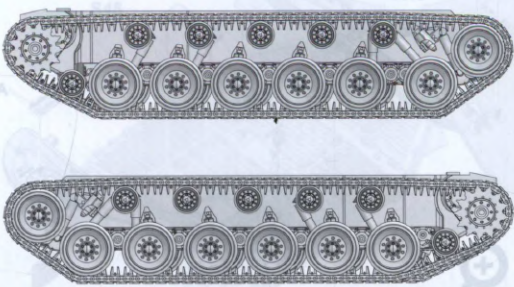
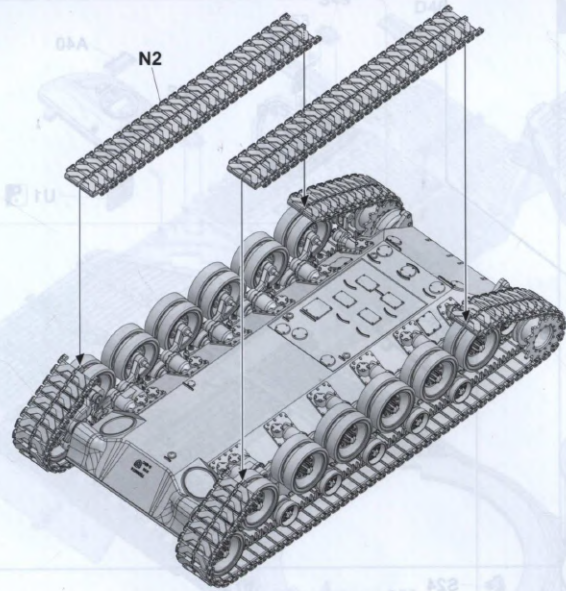


Make 2

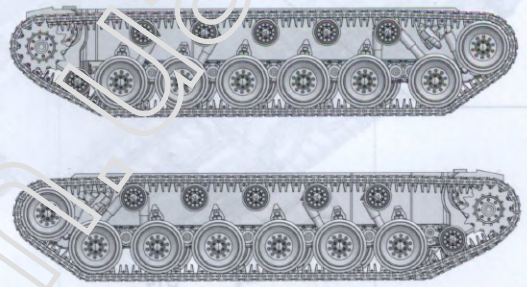
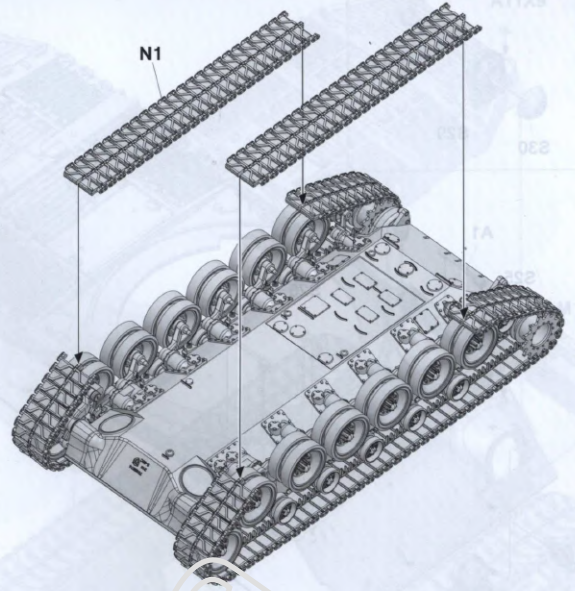
Make 2

7

9

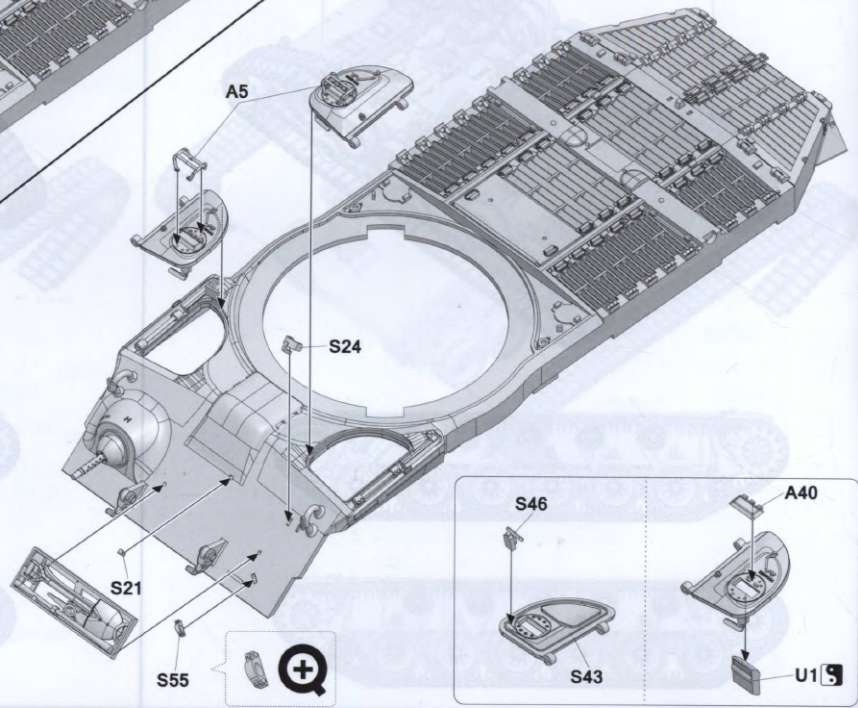
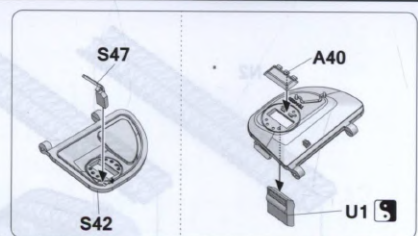
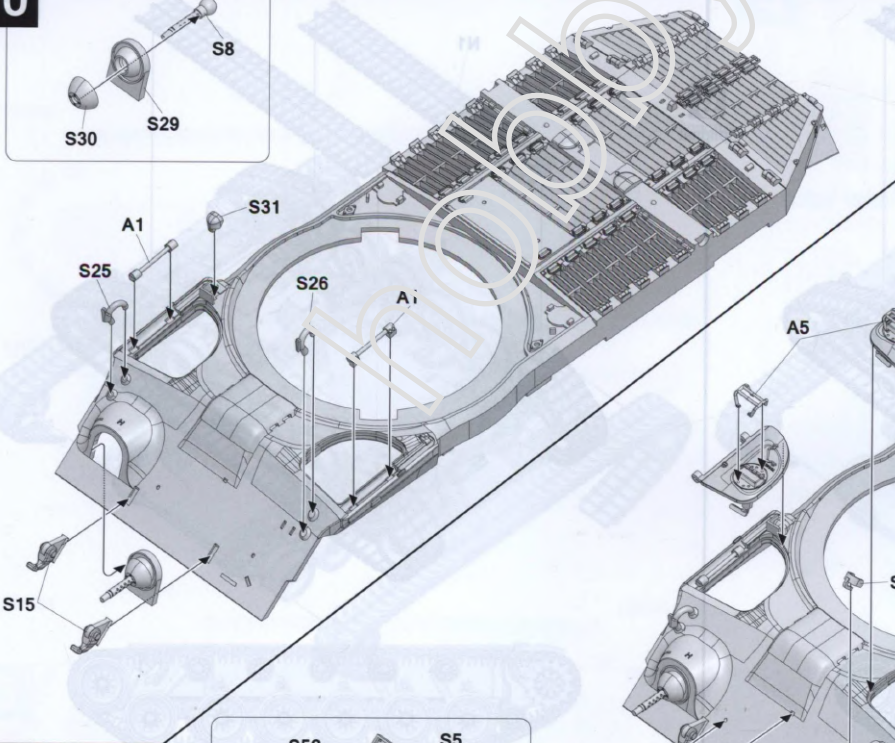
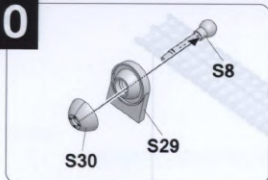


 Optional

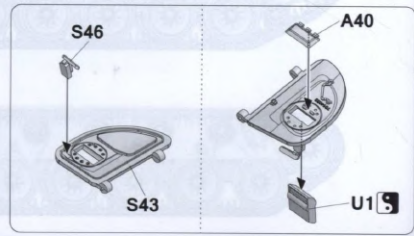
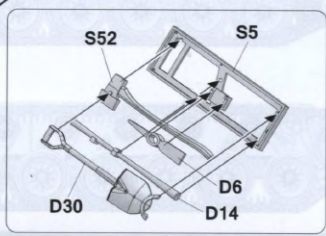


8

10

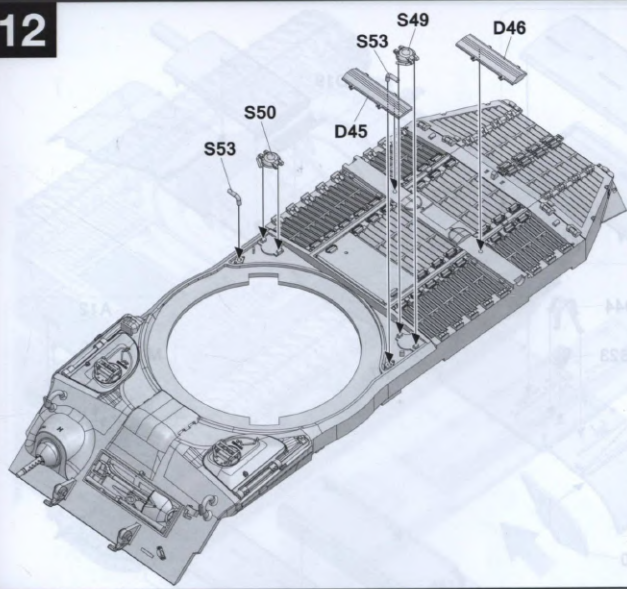


11

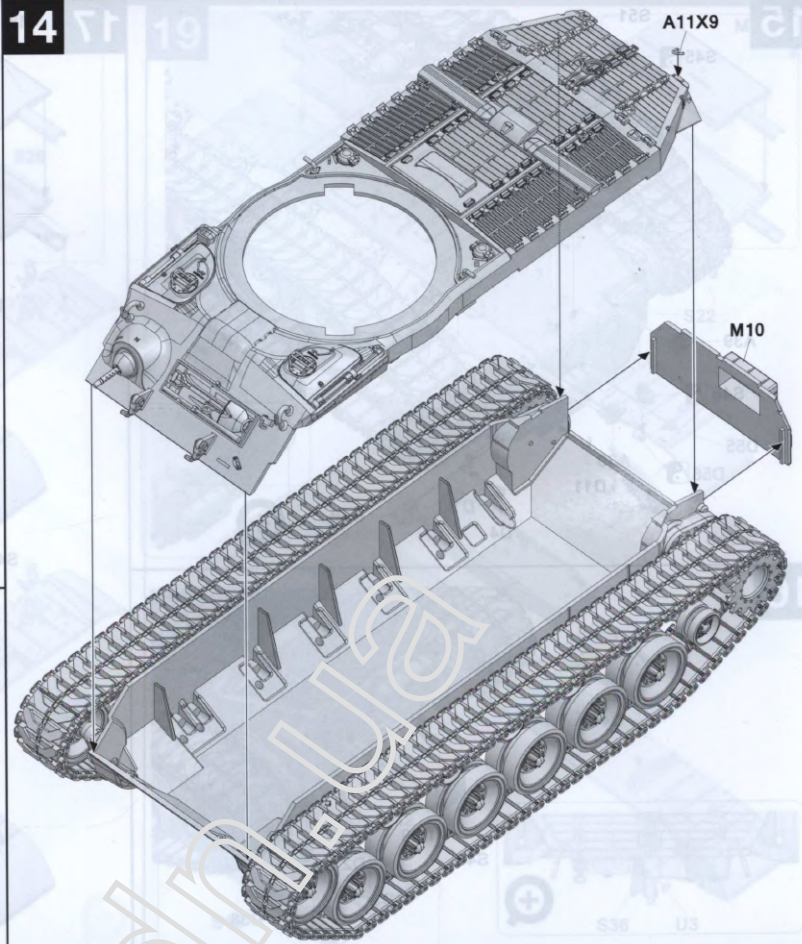


9

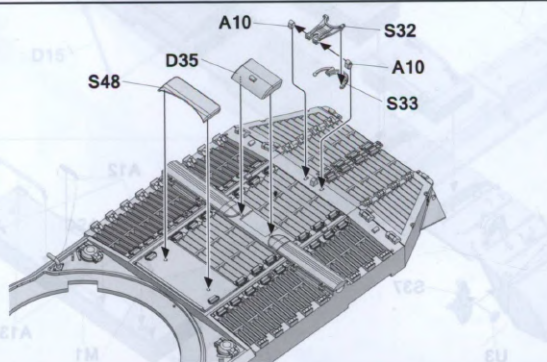
12



14

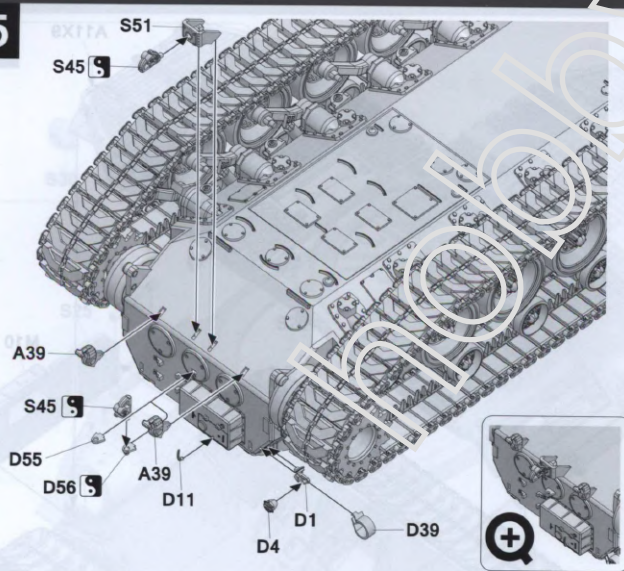


13

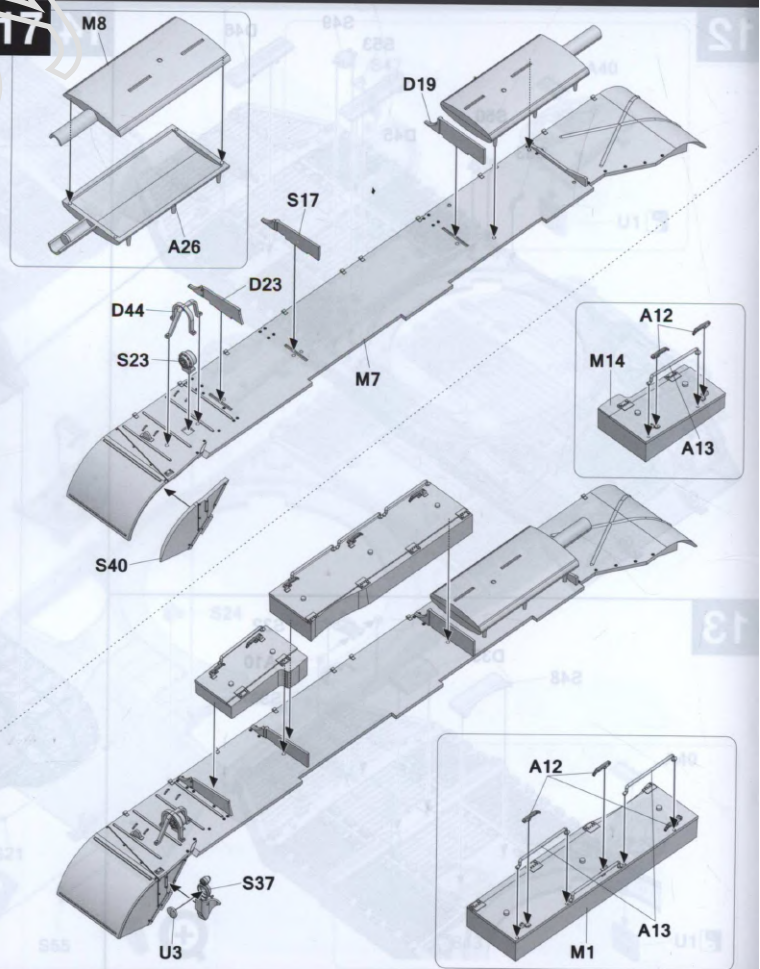


10

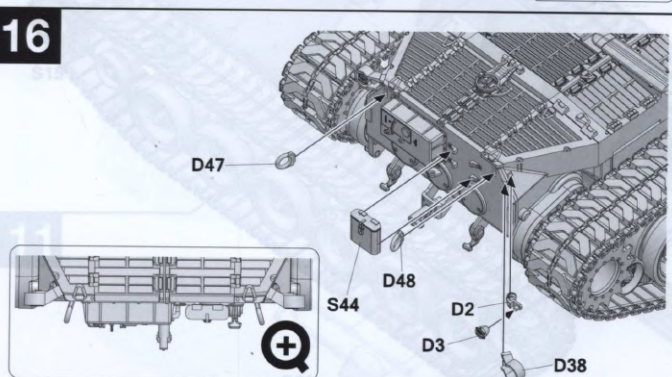
15



17

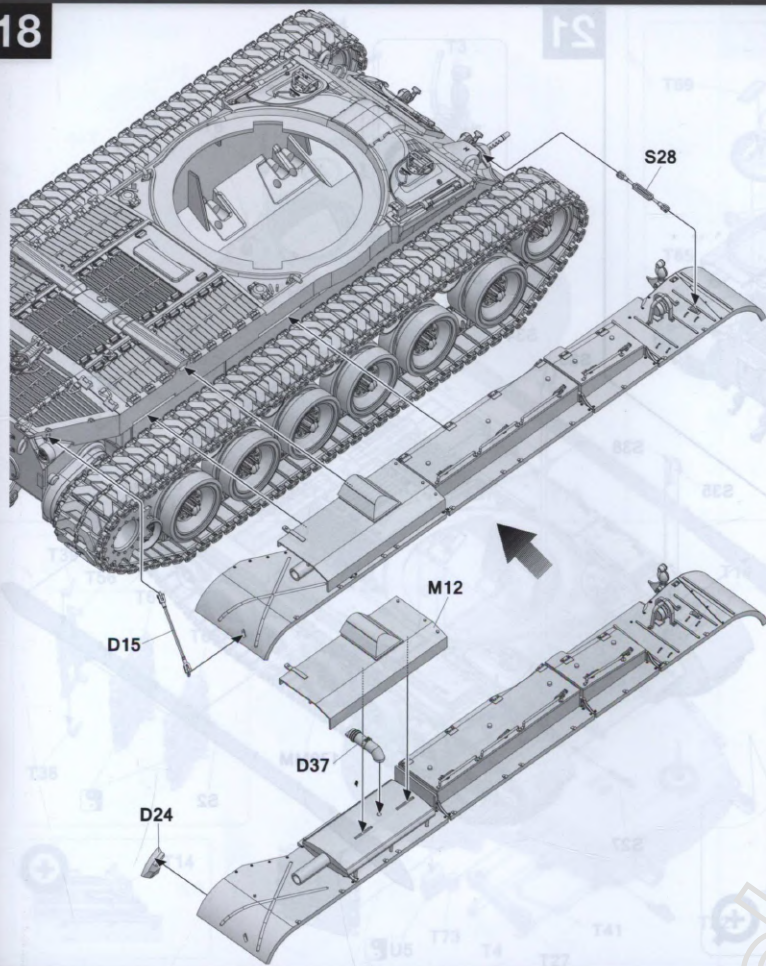


16

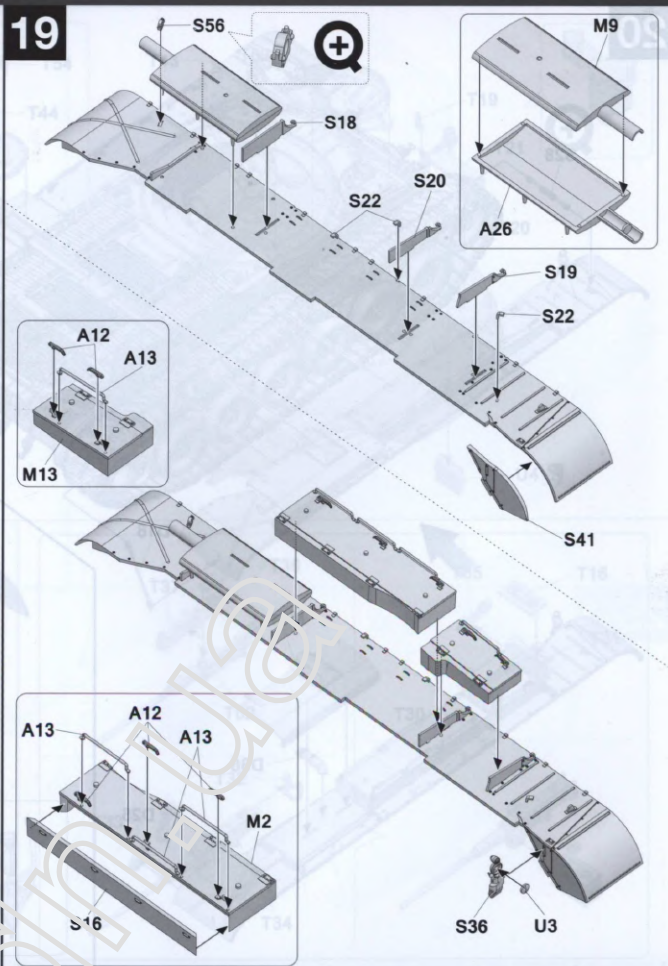


11

18

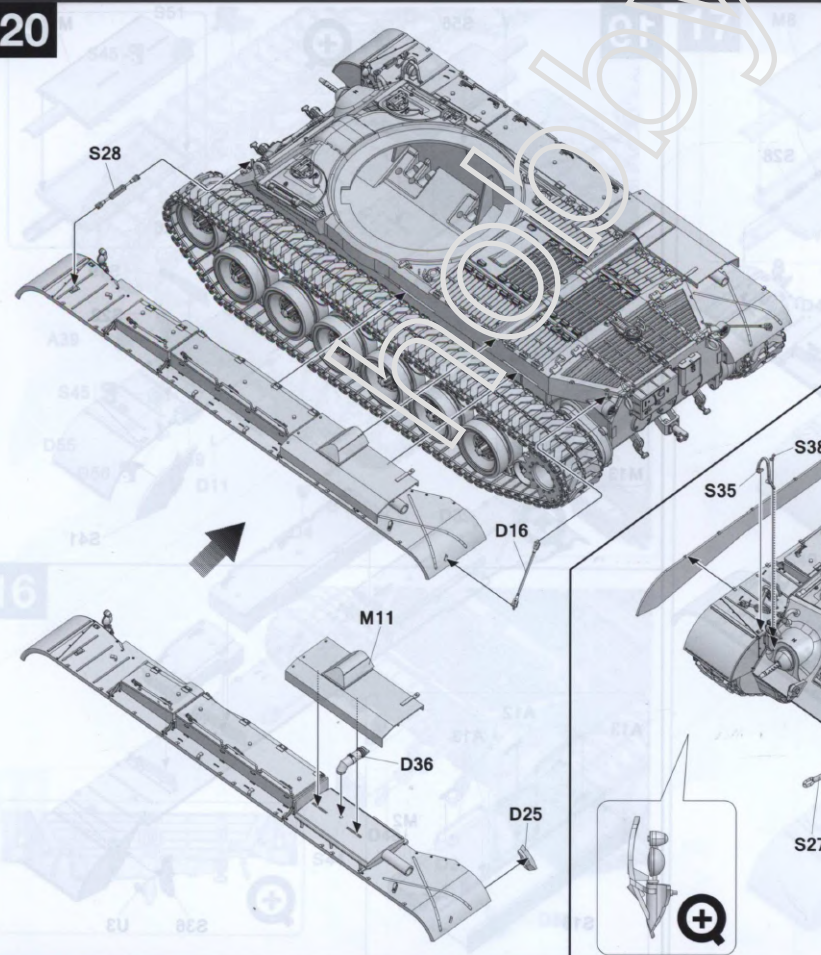


19

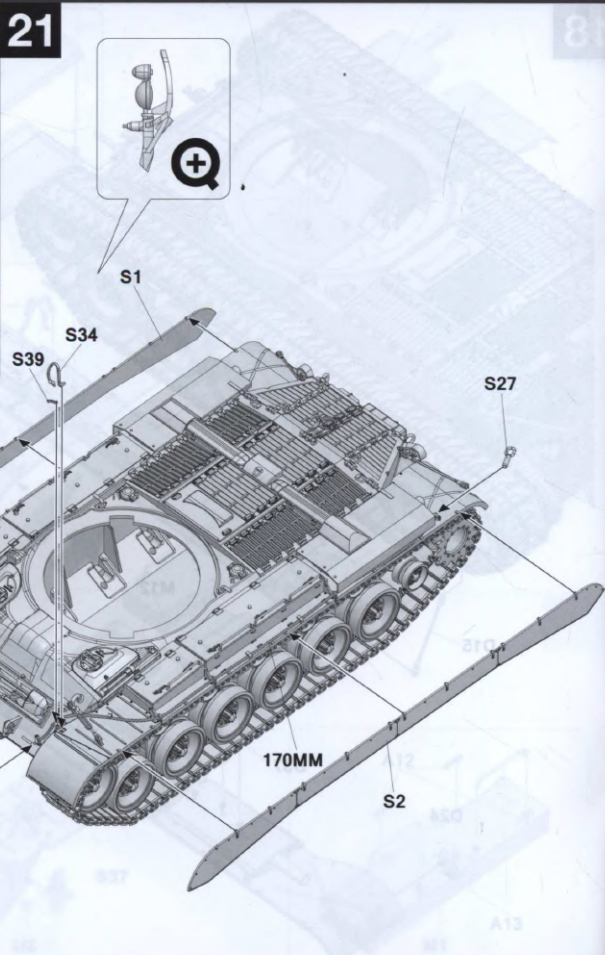


12

20

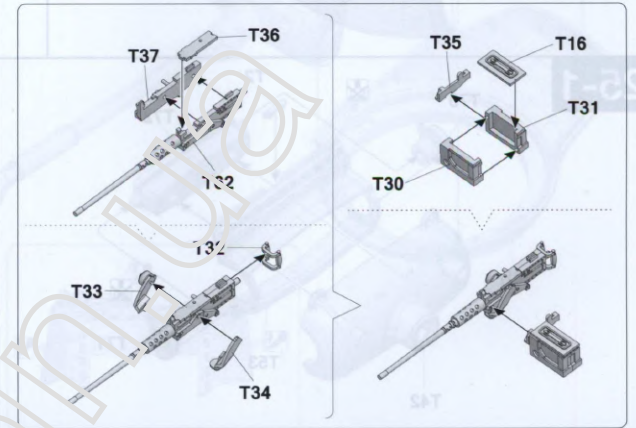
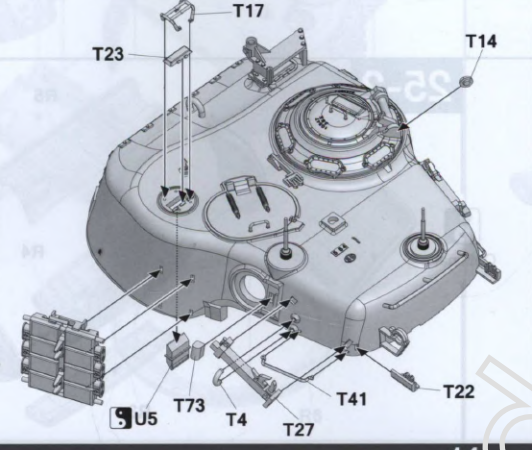
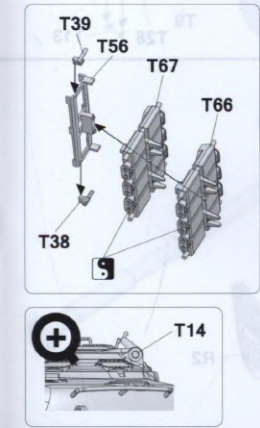
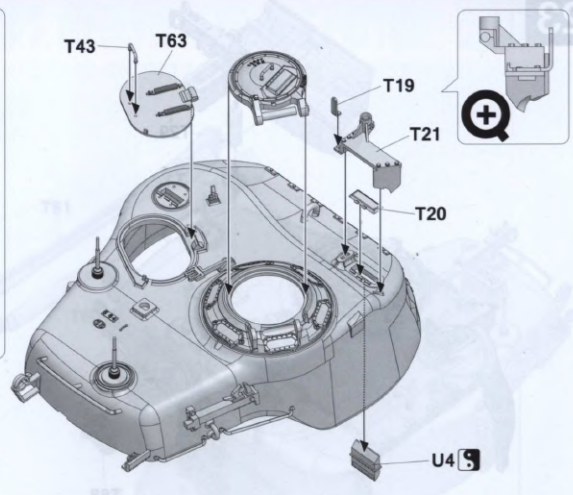
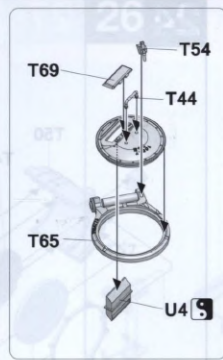
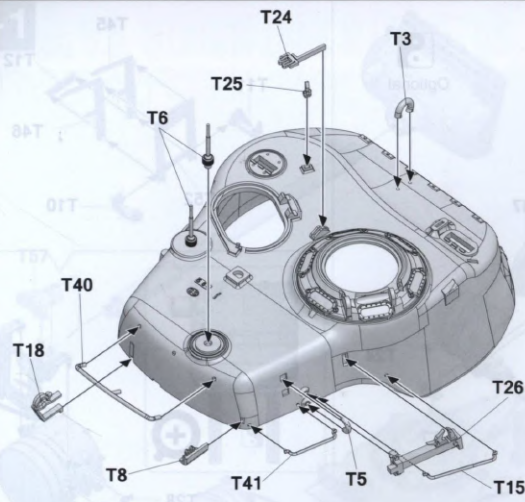


21



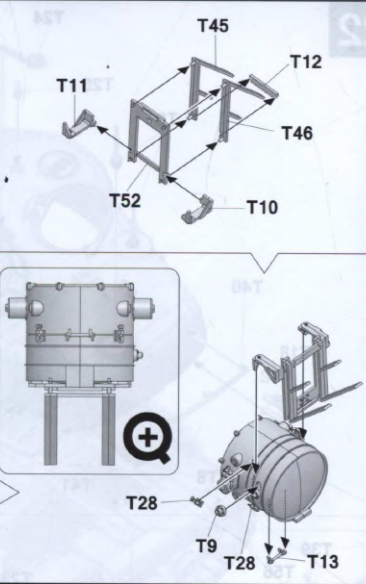
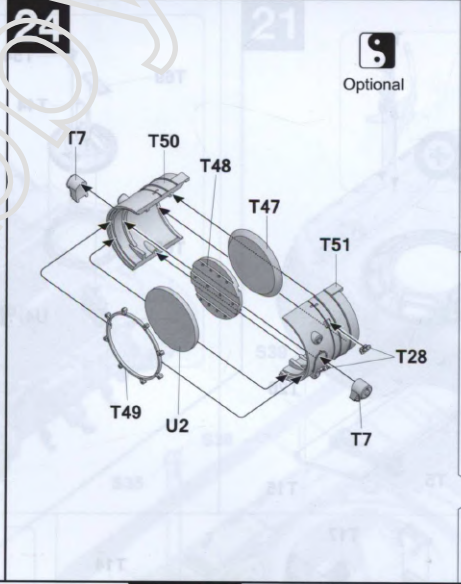
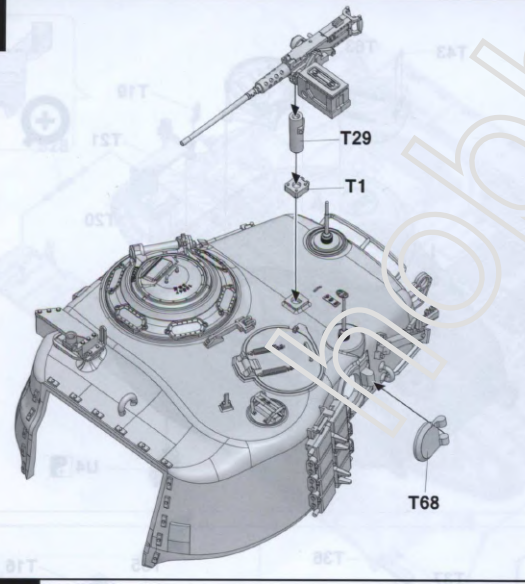
13

22

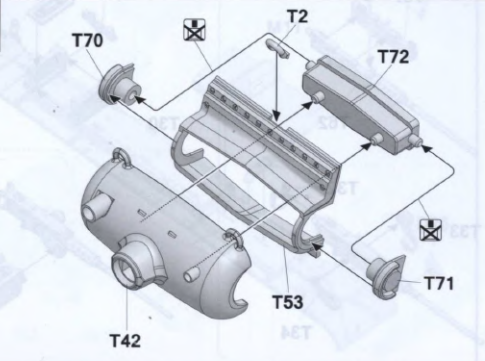


14

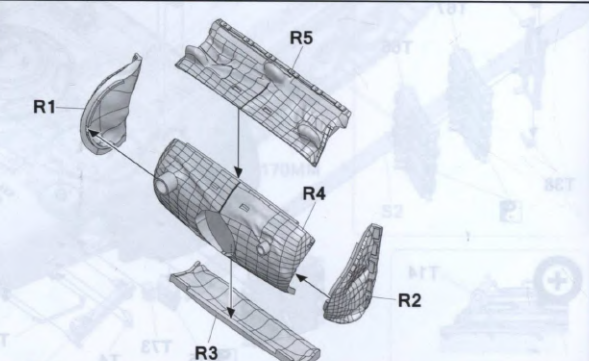
23



25-1

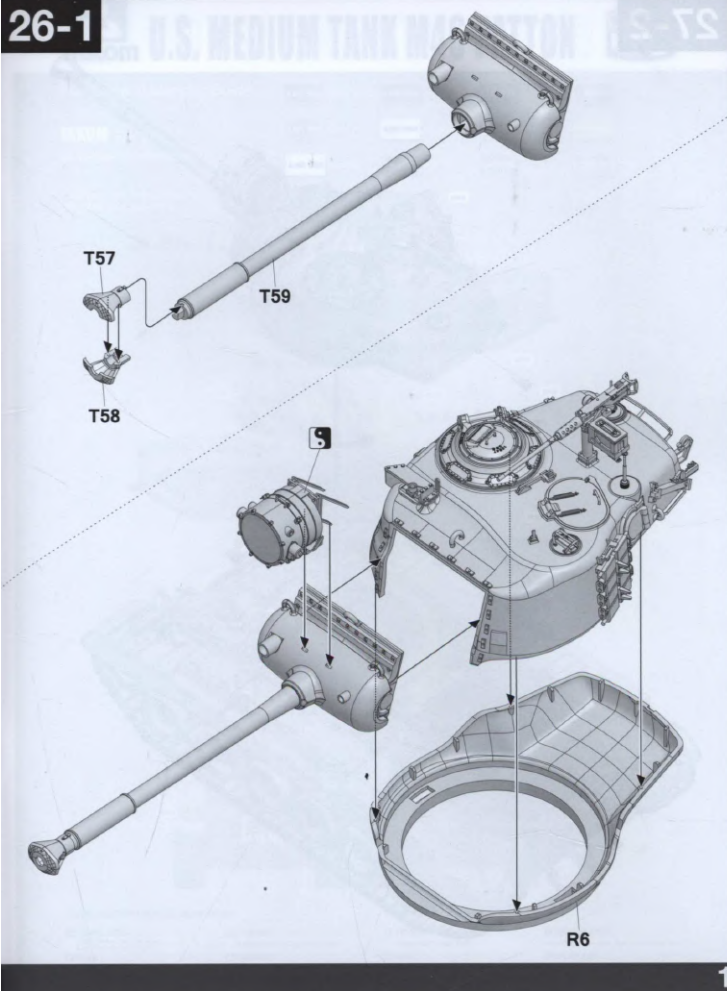


25-2

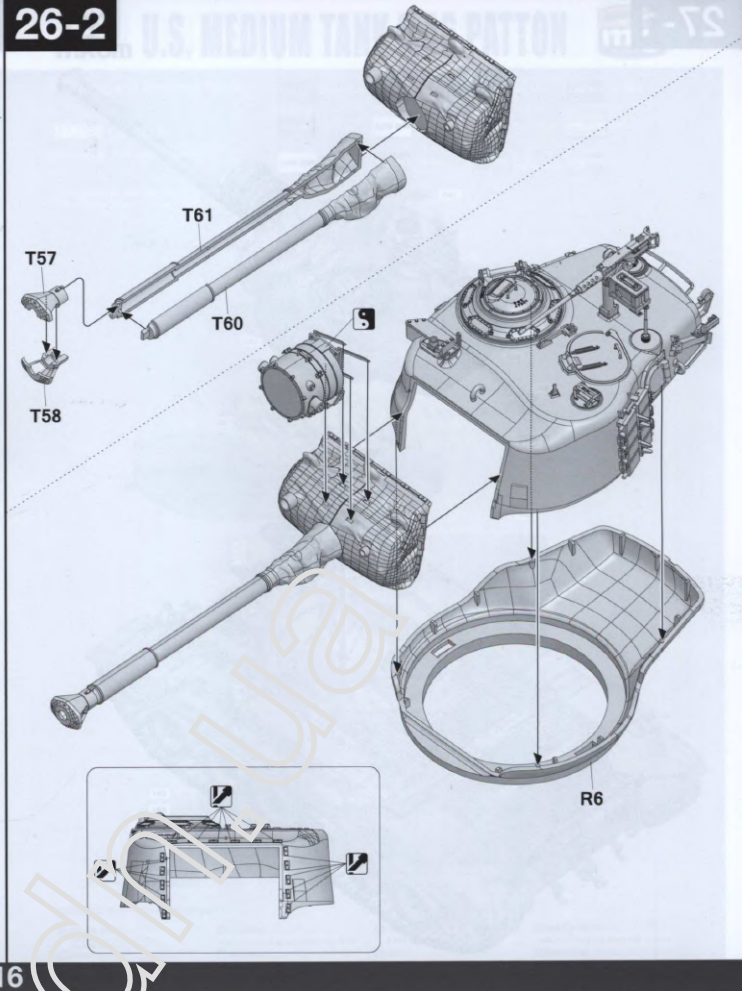


15

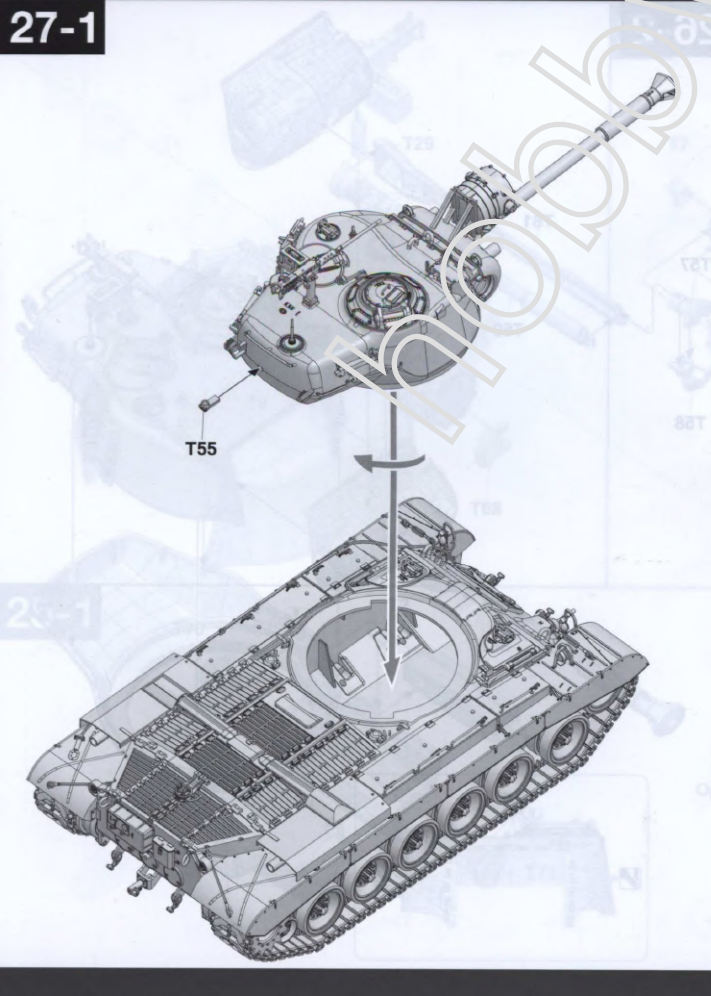
26-1



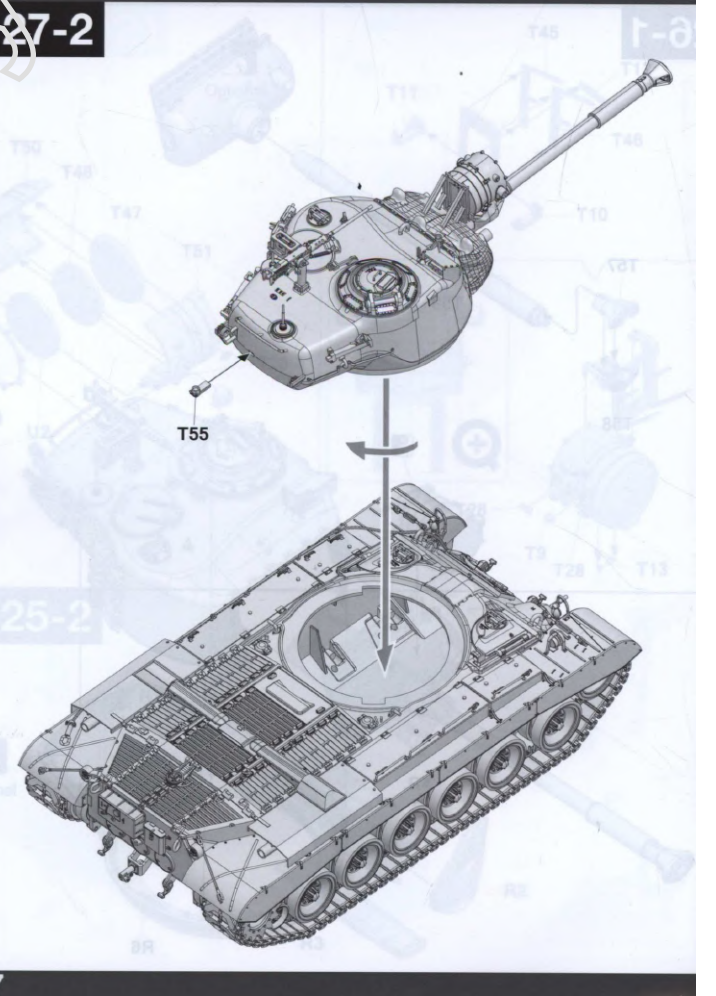
26-2



27-1



27-2



Painting and Marking Guide

TAKOM Ref: 2117
US Medium Tank M46 Patton

C Company, 6th Tank Battalion,
24th Infantry Division, Korea, March 1951

- A.MIG 033 Rubber & Tire
- A.MIG 035 Dark Tracks
- A.MIG 037 Olive Drab Dark
- A.MIG 045 Gun Metal
- A.MIG 093 Crystal Red
- A.MIG 094 Crystal Glass
- A.MIG 925 Olive Drab Dark
- A.MIG 048 Yellow
- A.MIG 050 Matt White
- A.MIG 042 Old Rust
- A.MIG 096 Crystal Foliage Green
- A.MIG 195 Silver



WEATHERING STEPS WITH AMMO PRODUCTS

- | | | | |
|--|--|---|--|
| 1 GENERAL WASH A.MIG-083 Wash for Green vehicles A.MIG-088 Wash for Dark Yellow | 3 STREAKING A.MIG-1208 Dark Streaking Glime | 5 TRACK WASH A.MIG-1002 Tracks Wash | 7 MID & SPLASHES A.MIG-1704 Heavy Earth, A.MIG-1704 Damp Earth |
| 2 FILTER A.MIG-1507 Filter for Yellow Green | 4 DAMNMARKS A.MIG-1208 Streakingbrusher Dust | 6 DUST A.MIG-3011 Airfield Dust | 8 GREASE & OIL A.MIG-1708 Fresh Engine Oil |

Painting and Marking Guide

TAKOM Ref: 2117
US Medium Tank M46 Patton

C Company, 6th Tank Battalion,
24th Infantry Division, Korea, March 1951

- A.MIG 033 Rubber & Tire
- A.MIG 035 Dark Tracks
- A.MIG 037 Olive Drab Dark
- A.MIG 045 Gun Metal
- A.MIG 093 Crystal Red
- A.MIG 094 Crystal Glass
- A.MIG 925 Olive Drab Dark
- A.MIG 048 Yellow
- A.MIG 050 Matt White
- A.MIG 042 Old Rust
- A.MIG 096 Crystal Foliage Green
- A.MIG 195 Silver



WEATHERING STEPS WITH AMMO PRODUCTS

- | | | | |
|--|--|---|--|
| 1 GENERAL WASH A.MIG-083 Wash for Green vehicles A.MIG-088 Wash for Dark Yellow | 3 STREAKING A.MIG-1208 Streakingbrusher Green-Grey Glime | 5 TRACK WASH A.MIG-1002 Tracks Wash | 7 MID & SPLASHES A.MIG-1703 Turned Earth, A.MIG-1703 Dry Slope |
| 2 FILTER A.MIG-1507 Filter for Yellow Green | 4 DAMNMARKS A.MIG-1208 Flammako Effects | 6 DUST A.MIG-3013 Rubble | 8 GREASE & OIL A.MIG-1708 Fresh Engine Oil |

Painting and Marking Guide

TAKOM Ref: 2117
US Medium Tank M46 Patton

B Company, 73rd Heavy Tank Battalion,
Korea, 1951

- A.MIG 033 Rubber & Tire
- A.MIG 035 Dark Tracks
- A.MIG 925 Olive Drab Dark
- A.MIG 045 Gun Metal
- A.MIG 093 Crystal Red
- A.MIG 094 Crystal Glass
- A.MIG 096 Crystal Foliage Green
- A.MIG 195 Silver
- A.MIG 042 Old Rust
- A.MIG 071 Khaki



WEATHERING STEPS WITH AMMO PRODUCTS

- | | | | |
|---|--|---|--|
| 1 GENERAL WASH A.MIG-1008 Dark Brown Wash for Green Vehicle | 3 STREAKING A.MIG-1203 Streaking Glime | 5 TRACK WASH A.MIG-1002 Tracks Wash | 7 MID & SPLASHES A.MIG-1008 Turned Earth, A.MIG-1701 Dry Slope |
| 2 FILTER A.MIG-1508 Green for Grey Green | 4 DAMNMARKS A.MIG-1208 Streakingbrusher Dust | 6 DUST A.MIG-3012 Sand | 8 GREASE & OIL A.MIG-1708 Fresh Engine Oil |

Painting and Marking Guide

TAKOM Ref: 2117
US Medium Tank M46 Patton

64th Tank Battalion, 3rd Infantry Division,
Korea, February 1951

- A.MIG 033 Rubber & Tire
- A.MIG 035 Dark Tracks
- A.MIG 925 Olive Drab Dark
- A.MIG 045 Gun Metal
- A.MIG 093 Crystal Red
- A.MIG 094 Crystal Glass
- A.MIG 096 Crystal Foliage Green
- A.MIG 195 Silver
- A.MIG 042 Old Rust
- A.MIG 071 Khaki



WEATHERING STEPS WITH AMMO PRODUCTS

- | | | | |
|--|---|---|--|
| 1 GENERAL WASH A.MIG-1008 Dark Wash | 3 STREAKING A.MIG-1202 Streakingbrusher Red Brown | 5 TRACK WASH A.MIG-1002 Tracks Wash | 7 RUST A.MIG-1703 Streaking Rust |
| 2 FILTER A.MIG-1508 Brown for Dark Green | 4 TRACKS WASH A.MIG-1002 Tracks Wash | 6 DUST A.MIG-3007 Dark Earth | 8 MID & SPLASHES A.MIG-1703 Wet Mud, A.MIG-1703 Wet Gravel |
| | 8 GREASE & OIL A.MIG-1408 Fresh Engine Oil | | |

Painting and Marking Guide

TAKOM Ref: 2117

US Medium Tank M46 Patton

E Company, 2nd Medium Tank Battalion,
40th Armor, 7th Infantry Division, Korea, 1955

- A.MIG 033 Rubber & Tires
- A.MIG 035 Dark Tracks
- A.MIG 925 Olive Drab Dark
- A.MIG 045 Gun Metal
- A.MIG 093 Crystal Red
- A.MIG 094 Crystal Glass
- A.MIG 096 Crystal Petrol/Grey Green
- A.MIG 195 Silver
- A.MIG 042 Old Rust
- A.MIG 071 Khaki



WEATHERING STEPS WITH AMMO PRODUCTS

- 1 GENERAL WASH**
A.MIG-1008 Dark Brown Wash for Green Vehicles
- 2 STREAKING**
A.MIG-1253 Streaking/Grasshopper Glime
- 3 TRACKS WASH**
A.MIG-1002 Tracks Wash
- 4 MID & SPLASHES**
A.MIG-1702 Turned Earth, A.MIG-1701 Dry Spoke
- 5 FILTER**
A.MIG-1508 Green for Grey Green
- 6 RAINMARKS**
A.MIG-1008 Rainmarks Effects
- 7 DUST**
A.MIG-3012 Sand
- 8 GREASE & OIL**
A.MIG-1408 Fresh Engine Oil

Painting and Marking Guide

TAKOM Ref: 2117

US Medium Tank M46 Patton

D Company, 1st Marine Tank Battalion,
Korea, 1952

- A.MIG 033 Rubber & Tires
- A.MIG 035 Dark Tracks
- A.MIG 925 Olive Drab Dark
- A.MIG 045 Gun Metal
- A.MIG 093 Crystal Red
- A.MIG 094 Crystal Glass
- A.MIG 096 Crystal Petrol/Grey Green
- A.MIG 195 Silver
- A.MIG 042 Old Rust
- A.MIG 071 Khaki



WEATHERING STEPS WITH AMMO PRODUCTS

- 1 GENERAL WASH**
A.MIG-1008 Dark Brown Wash for Green Vehicles
- 2 STREAKING**
A.MIG-1203 Streaking Glime
- 3 TRACK WASH**
A.MIG-1002 Tracks Wash
- 4 MID & SPLASHES**
A.MIG-1703 Heel Ground, A.MIG-1702 Loose Ground
- 5 FILTER**
A.MIG-1508 Green for Grey Green
- 6 RAINMARKS**
A.MIG-1256 Streaking/Grasshopper Dust
- 7 DUST**
A.MIG-3013 Rubble
- 8 GREASE & OIL**
A.MIG-1708 Fresh Engine Oil

Painting and Marking Guide

TAKOM Ref: 2117

US Medium Tank M46 Patton

C Company, 1st Marine Tank Battalion,
Korea, 1952 - 53

- A.MIG 033 Rubber & Tires
- A.MIG 035 Dark Tracks
- A.MIG 925 Olive Drab Dark
- A.MIG 045 Gun Metal
- A.MIG 093 Crystal Red
- A.MIG 094 Crystal Glass
- A.MIG 096 Crystal Petrol/Grey Green
- A.MIG 195 Silver
- A.MIG 042 Old Rust
- A.MIG 071 Khaki



WEATHERING STEPS WITH AMMO PRODUCTS

- 1 GENERAL WASH**
A.MIG-1008 Dark Brown Wash for Green Vehicles
- 2 STREAKING**
A.MIG-1253 Streaking/Grasshopper Glime
- 3 TRACK WASH**
A.MIG-1002 Tracks Wash
- 4 MID & SPLASHES**
A.MIG-1704 Turned Earth, A.MIG-1703 Damp Earth
- 5 FILTER**
A.MIG-1508 Green for Grey Green
- 6 RAINMARKS**
A.MIG-1208 Rainmarks Effects
- 7 DUST**
A.MIG-3011 Airfield Dust
- 8 GREASE & OIL**
A.MIG-1708 Fresh Engine Oil

Painting and Marking Guide

TAKOM Ref: 2117

US Medium Tank M46 Patton

Tank 33, Tank Platoon, 5th Marine Regiment,
Korea, November 1952

- A.MIG 033 Rubber & Tires
- A.MIG 035 Dark Tracks
- A.MIG 925 Olive Drab Dark
- A.MIG 045 Gun Metal
- A.MIG 093 Crystal Red
- A.MIG 094 Crystal Glass
- A.MIG 096 Crystal Petrol/Grey Green
- A.MIG 195 Silver
- A.MIG 042 Old Rust
- A.MIG 071 Khaki



WEATHERING STEPS WITH AMMO PRODUCTS

- 1 GENERAL WASH**
A.MIG-1008 Dark Wash
- 2 STREAKING**
A.MIG-1252 Streaking/Grasshopper Red Brown
- 3 TRACK WASH**
A.MIG-1002 Tracks Wash
- 4 MID & SPLASHES**
A.MIG-1704 Turned Earth, A.MIG-1704 Damp Earth
- 5 FILTER**
A.MIG-1508 Brown for Dark Green
- 6 RAINMARKS**
A.MIG-1208 Rainmarks Effects
- 7 DUST**
A.MIG-3004 Europe Earth
- 8 GREASE & OIL**
A.MIG-1708 Fresh Engine Oil



U.S. MEDIUM TANK M46 PATTON

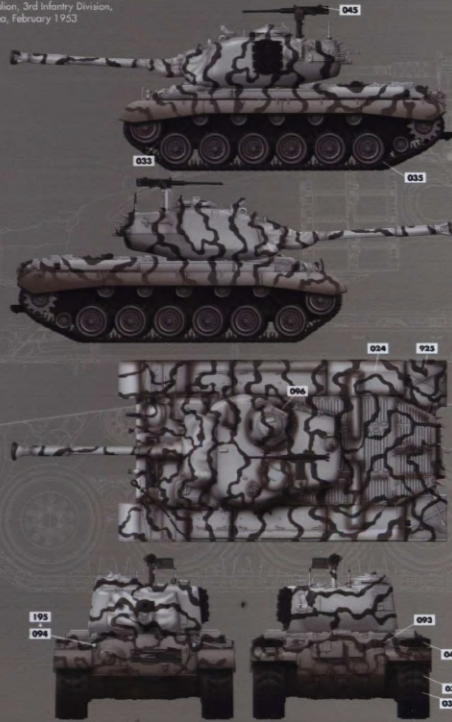


Painting and Marking Guide

- A.MIG 033 Rubber & Tires
- A.MIG 035 Dark Tracks
- A.MIG 034 Bushy White Camo
- A.MIG 043 Gun Metal
- A.MIG 093 Crystal Red
- A.MIG 094 Crystal Glass
- A.MIG 925 Olive Drab Dark
- A.MIG 096 Crystal Olive/Seafoam Green
- A.MIG 042 Old Rust
- A.MIG 193 Silver

TAKOM Ref: 2117
US Medium Tank M46 Patton

64th Tank Battalion, 3rd Infantry Division,
Chorwon, Korea, February 1953



WEATHERING STEPS WITH AMMO PRODUCTS

- | | | | |
|--|--|--|---|
| 1 GENERAL WASH A.MIG-1010 Neutral Wash | 3 STEAMING A.MIG-1205 Steaming Gels for White Vehicles | 5 RUST A.MIG-1254 Streaking/Ingrain Rust | 7 WIND & SPRAYIES A.MIG-1794 Heavy Earth, A.MIG-1794 Damp Earth |
| 2 FLEAS A.MIG-1501 Grey for White | 4 TRACKS WASH A.MIG-1022 Tracks Wash | 6 DIRT A.MIG-3004 Europe Earth | 8 GREASE & OIL A.MIG-1408 Fresh Engine Oil |



hobby.on.ua