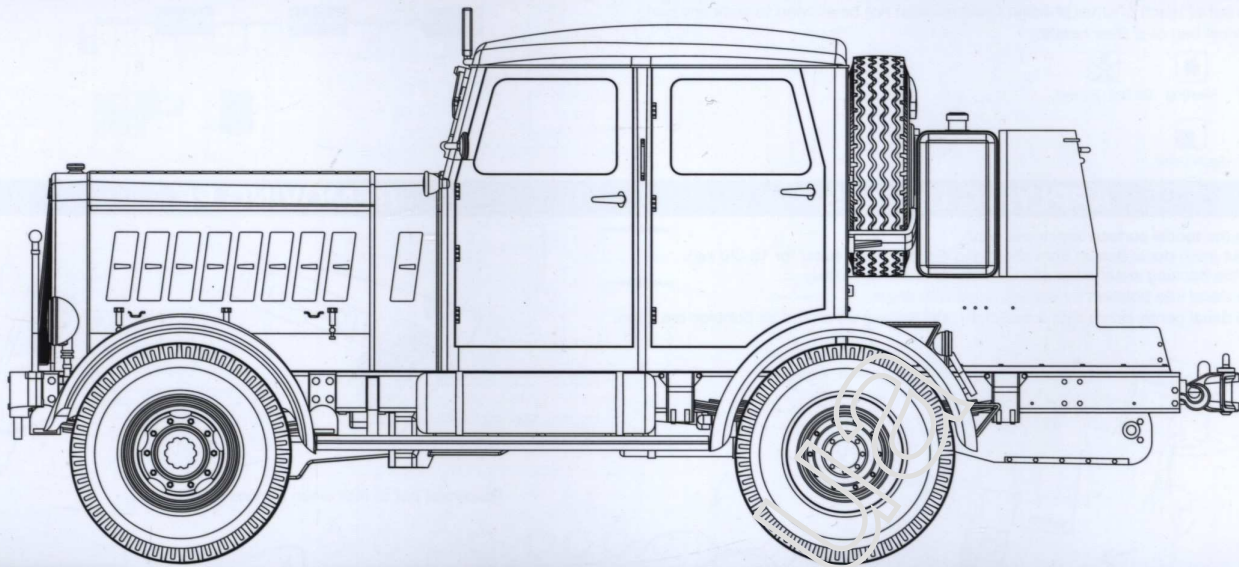


# HANOMAG SS 100



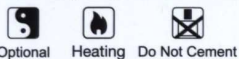
The Wehrmacht heavy tractor multi-purpose vehicle Hanomag SS-100 was produced from 1936 to 1945. Originally manufactured in 1936 as the SP-100 heavy agriculture tractor, it was quickly pressed into military service with both the Wehrmacht and the Luftwaffe, and became one of the most widely used heavy tractors in German military service. Powered by a 8550 cc 6-cylinder D85 diesel engine, it could accommodate up to five passengers and a driver and support a variety of supplemental equipment attached to the rear frame. Among other things, V2 units used it to tow the Meillerwagen, which transported the V2 rocket to the launch site and loaded the rocket onto the firing stand. After 1945 it was produced in France as the ST-100. Known in the civilian world as the 'Gigant', Hanomag road tractors of all sizes were popular as offroad transport well into the 1960's.

03.02.2068

## READ BEFORE ASSEMBLY

### CAUTION

- Read carefully and fully understand the instructions before commencing assembly. A supervising adult should also read the instructions if a child assembles the model.
- When assembling this kit, tools including knives used. Extra care should be taken to avoid personal injury.
- Keep out of reach of small children. Children must not be allowed to suck any part, or pull vinyl bag over their heads.



Optional Heating Do Not Cement



Painting Apply Decal

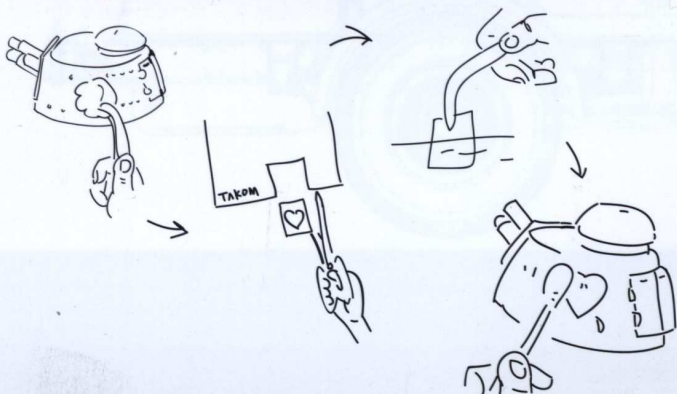
### PAINTS REQUIRED

Color info and profiles by Mig Jimenez

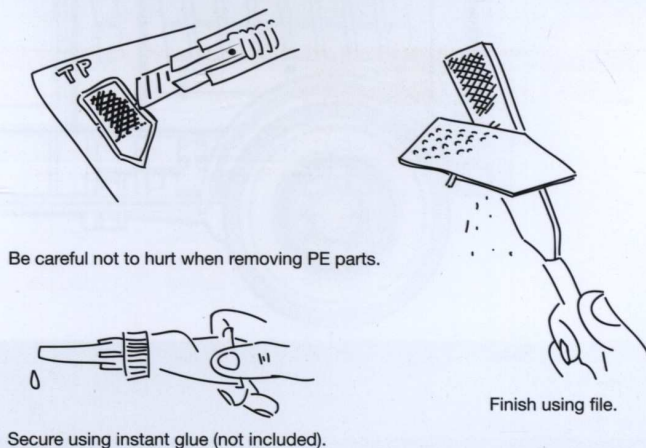
A.MIG 001 Olivgrun	A.MIG 033 Rubber & Tires	A.MIG 195 Silver
A.MIG 010 Dunkelgelb	A.MIG 008 Dunkelgrau	A.MIG 093 Crystal Red

## APPLYING DECALS

1. Clean the model surface with a wet cloth.
2. Cut out each decal design from sheet, and dip it in tepid water for 15-20 sec.
3. Hold the backing sheet edge and slide decal onto the model.
4. Move decal into position by wetting decal with finger.
5. Press decal gently down with a soft cloth until excess water and air bubbles are gone.



## REMOVING PE

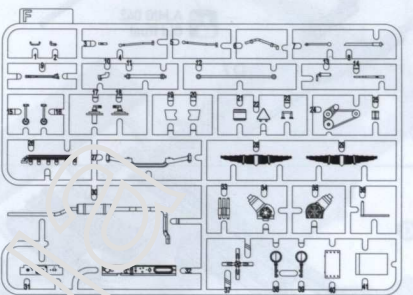
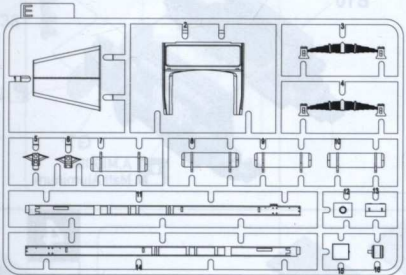
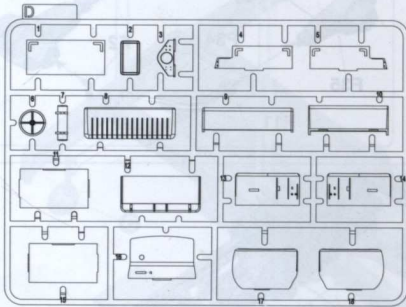
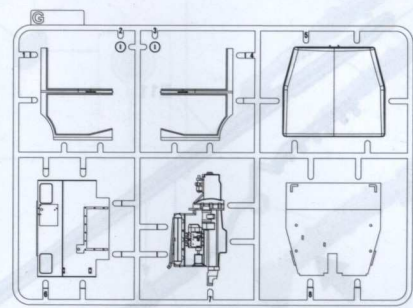
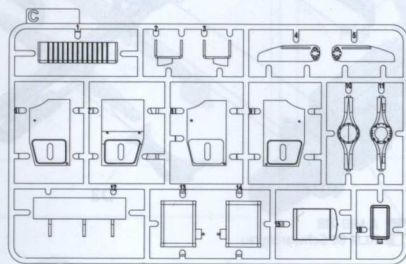
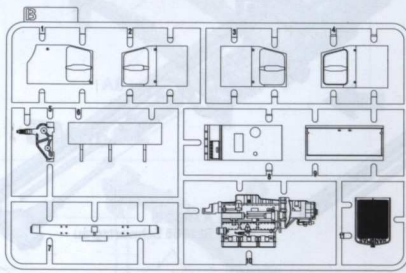


Be careful not to hurt when removing PE parts.

Secure using instant glue (not included).

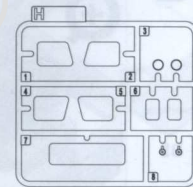
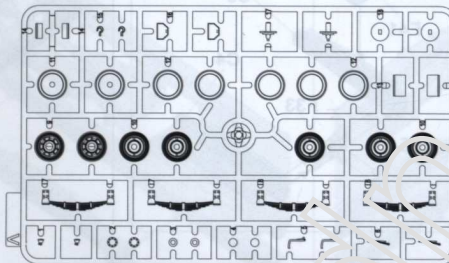
Finish using file.

# PARTS

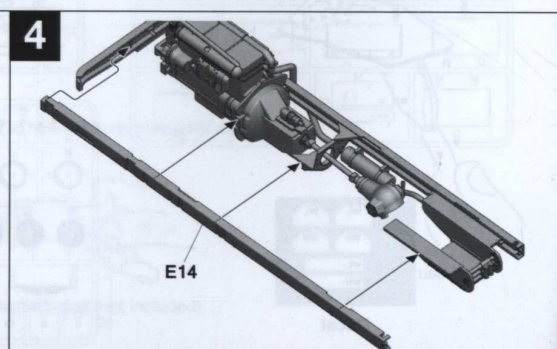
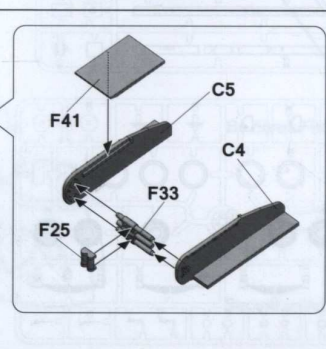
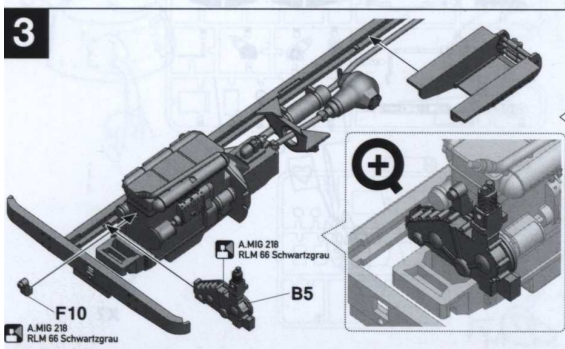
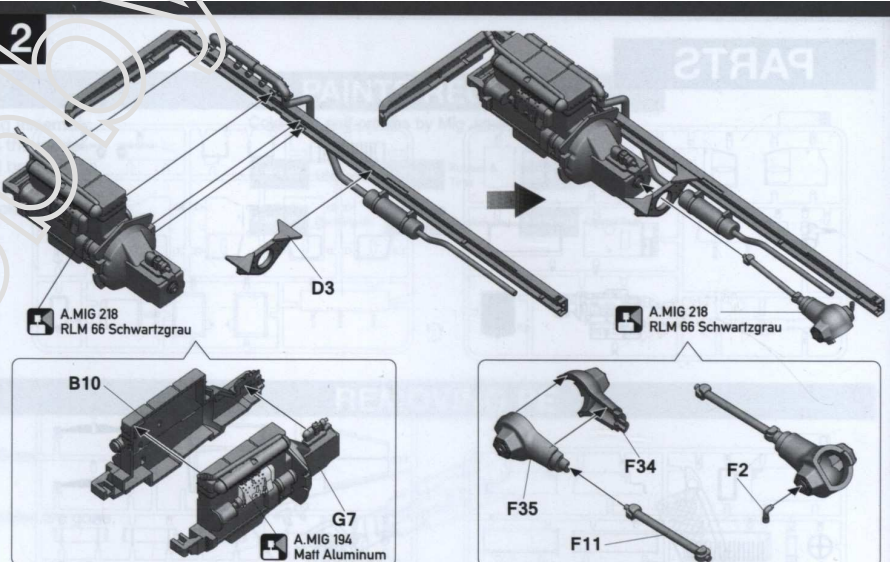
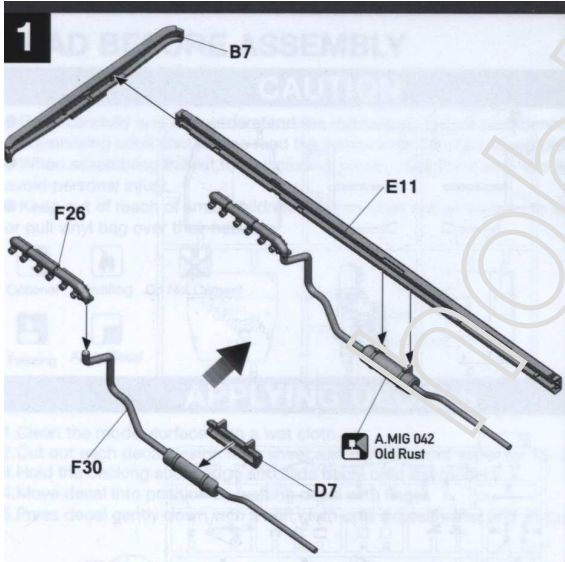


11111	WL	WL
22222	WL	WL
33333	WH	WH
44444	WH	WH
55555	WL	WL
66666	WL	WL
77777	WH	WH
88888	WH	WH
99999	WH	WH

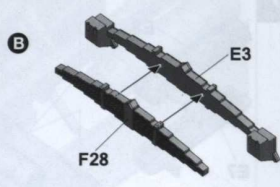
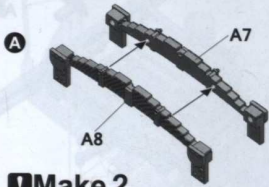
Decal



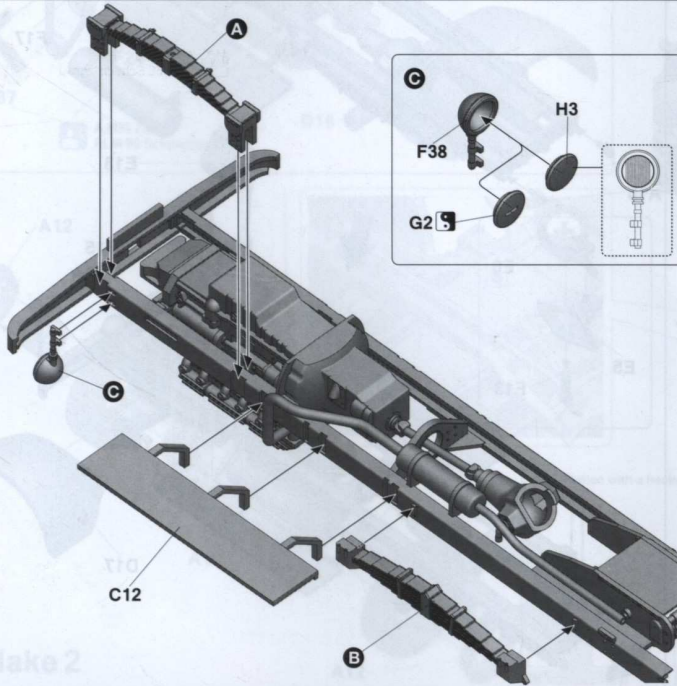
X7



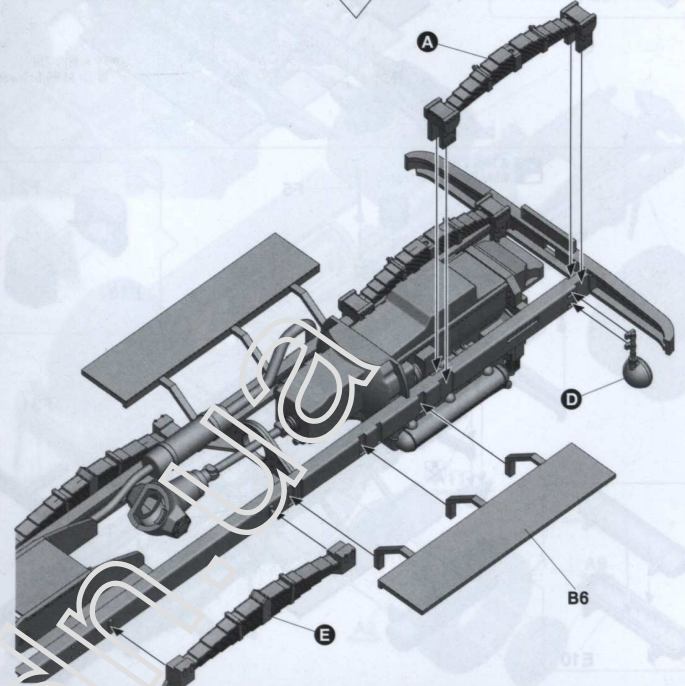
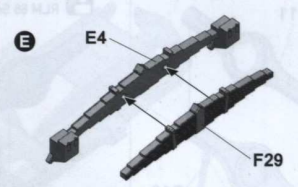
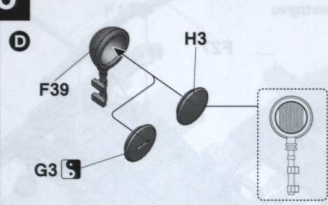
5



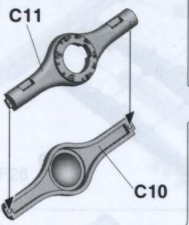
Make 2



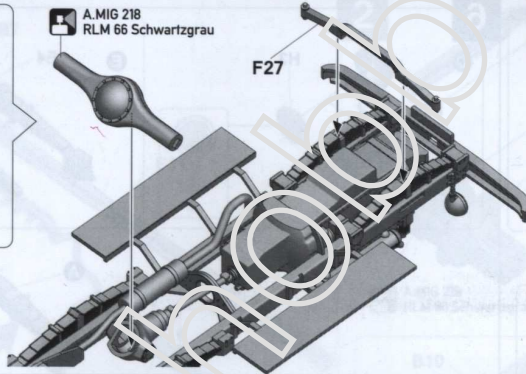
6



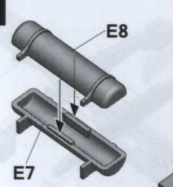
7



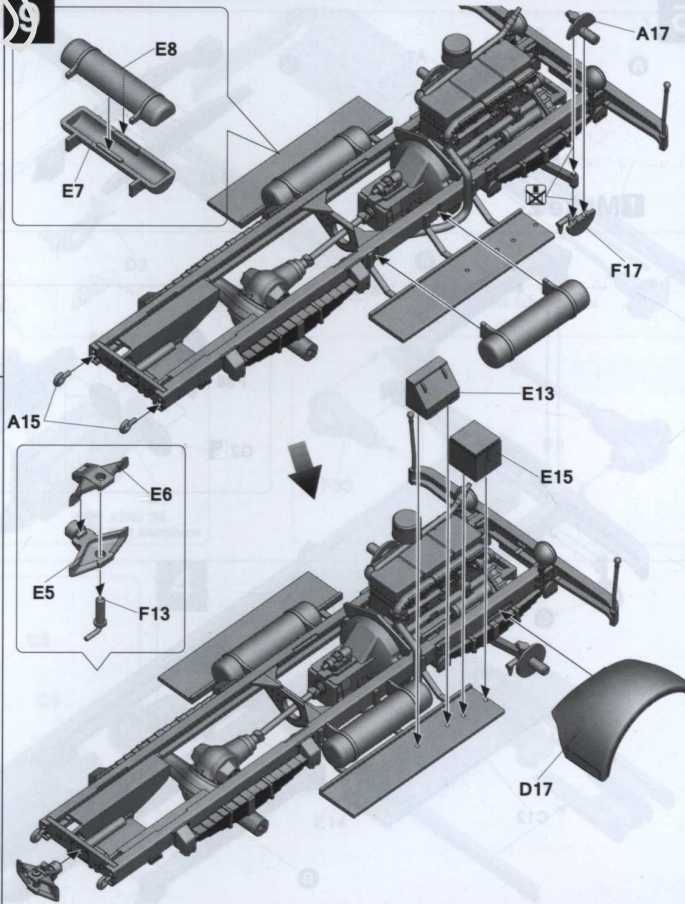
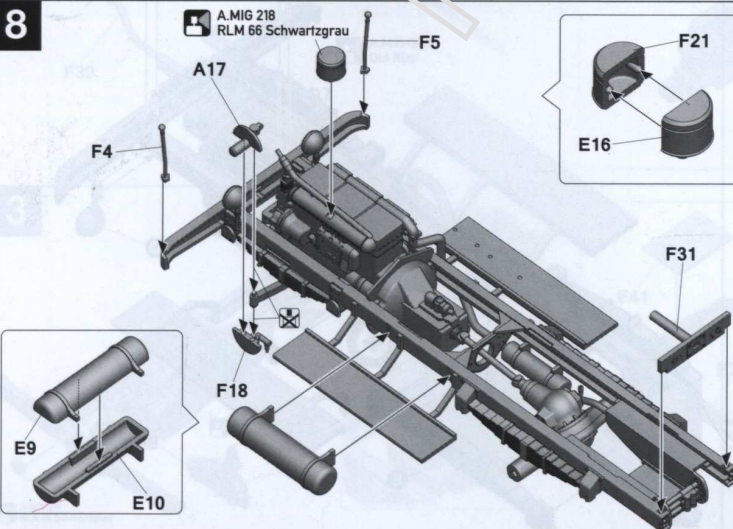
A.MIG 218 RLM 66 Schwartzgrau

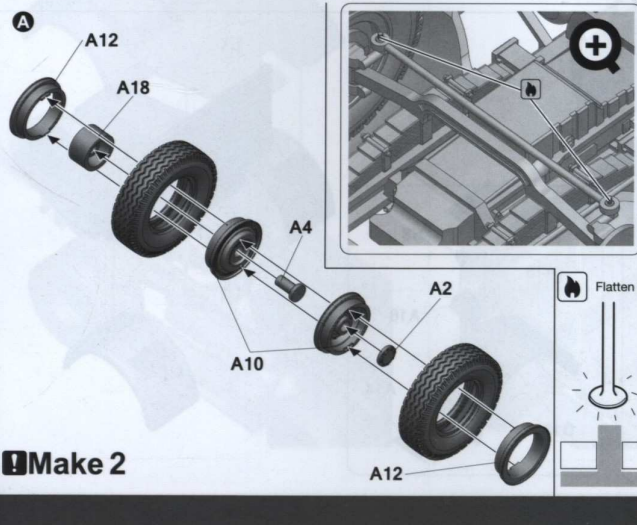
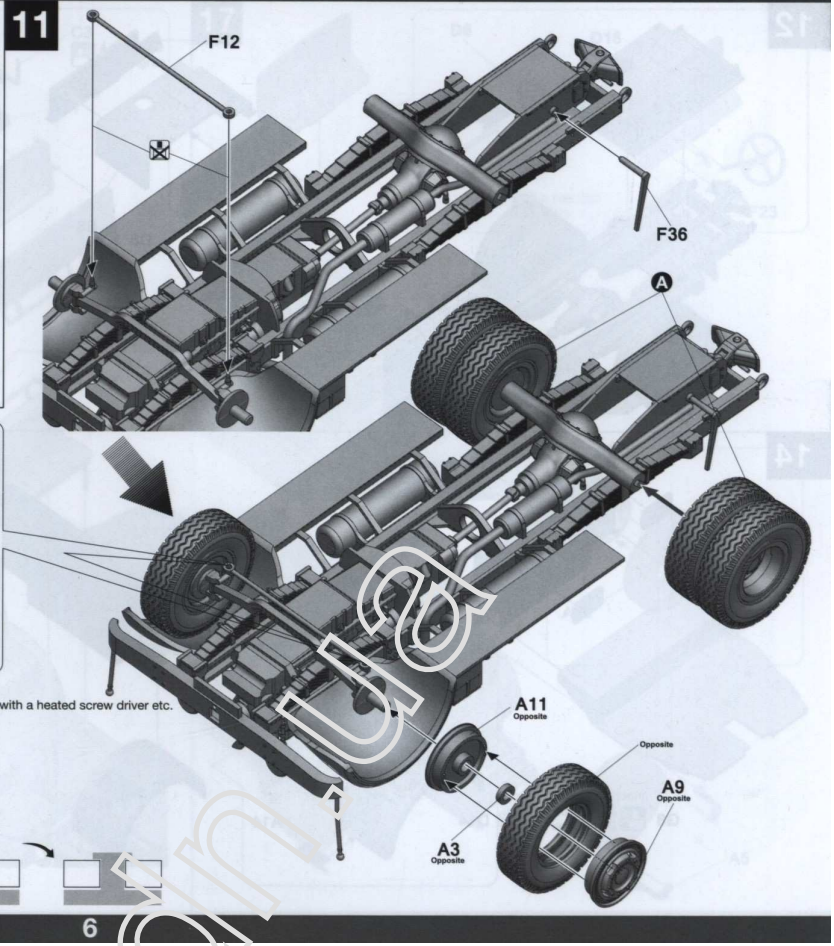
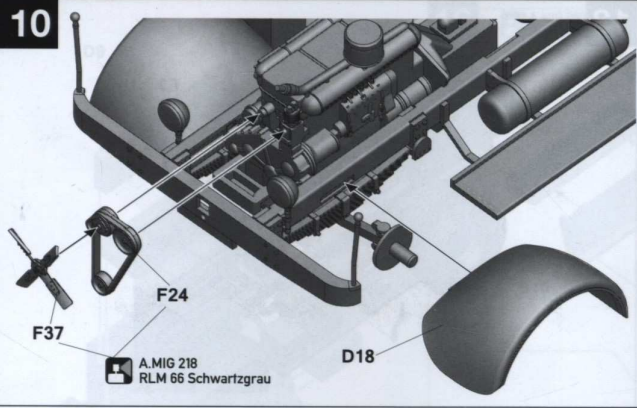


8

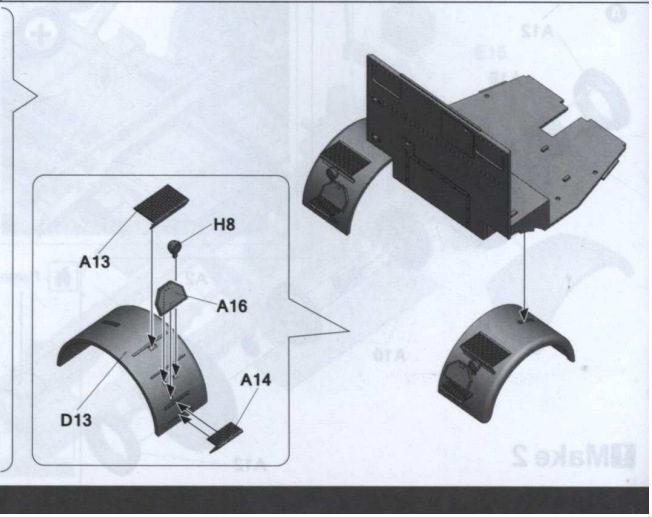
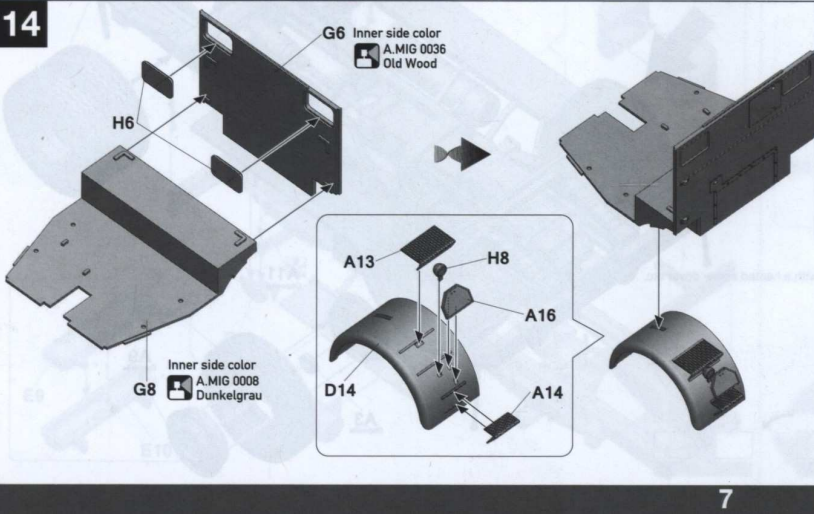
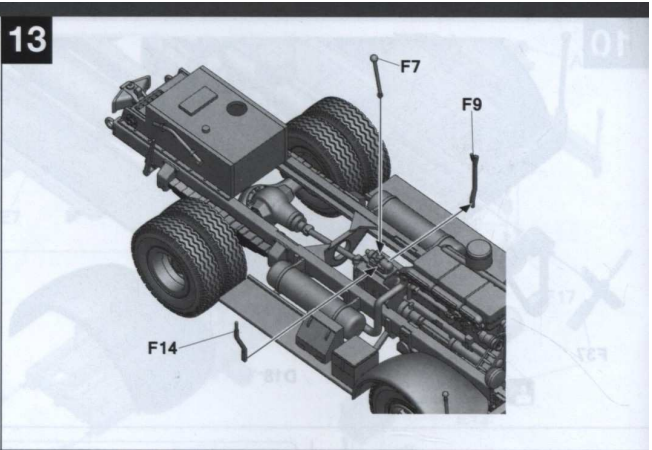
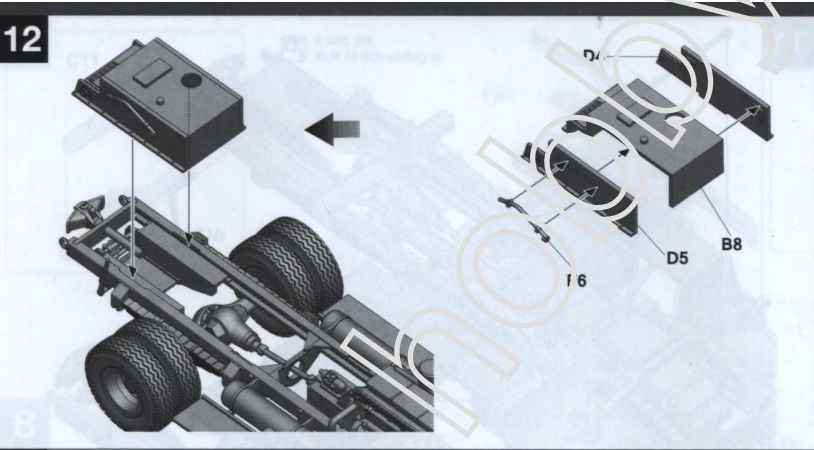


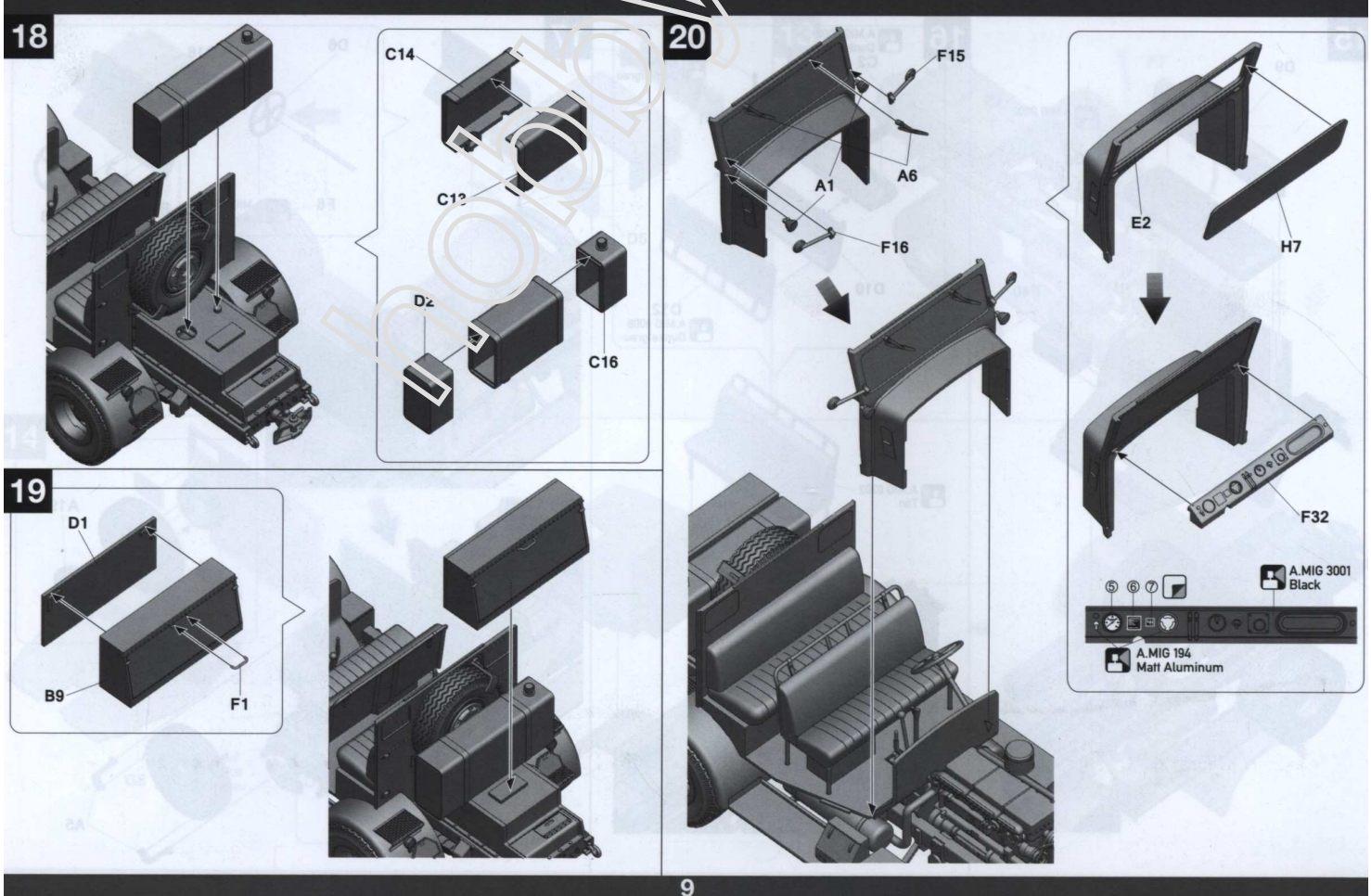
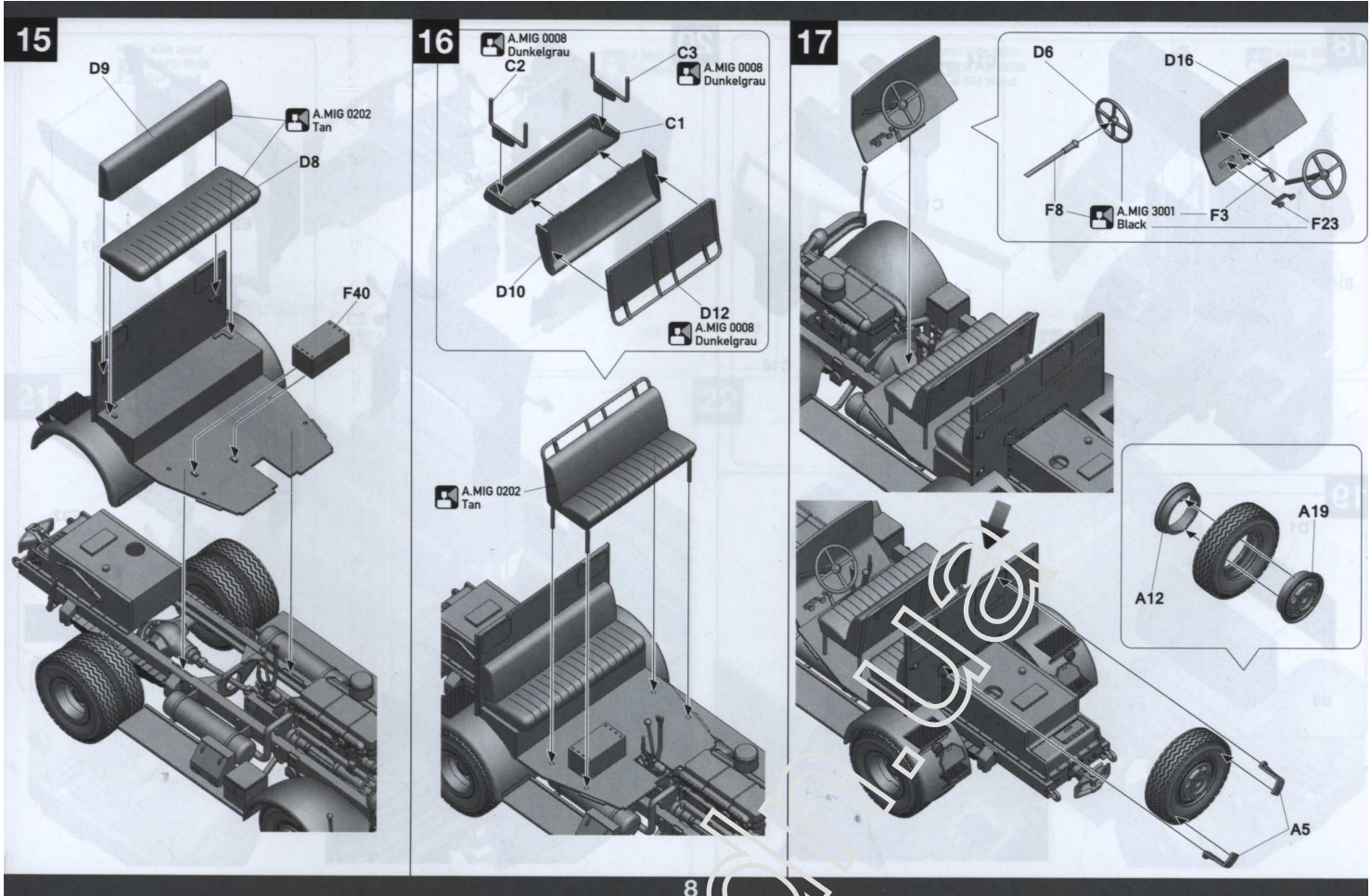
A.MIG 218 RLM 66 Schwartzgrau

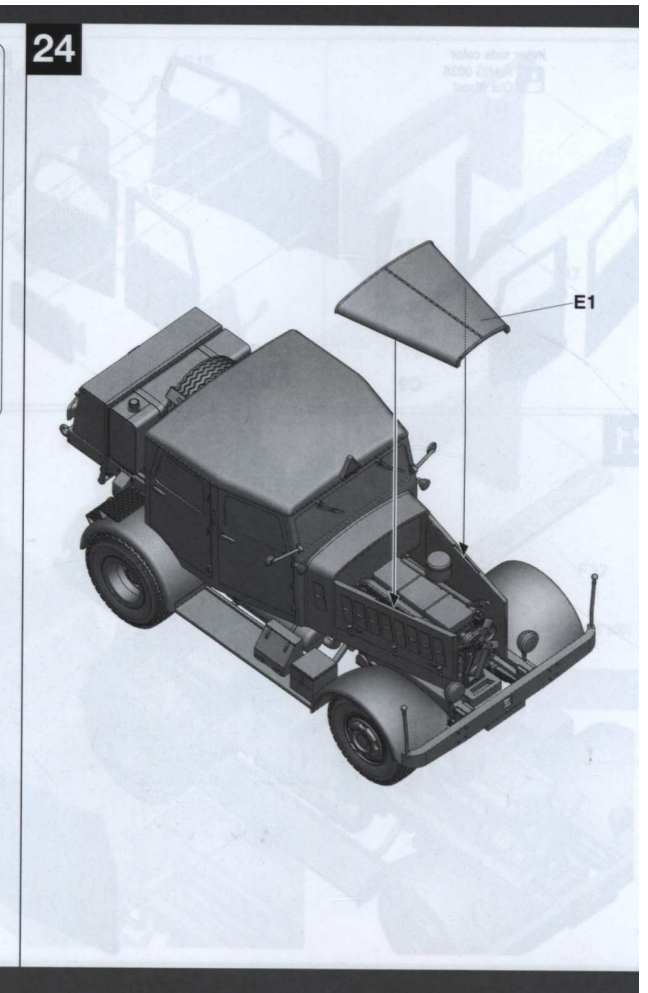
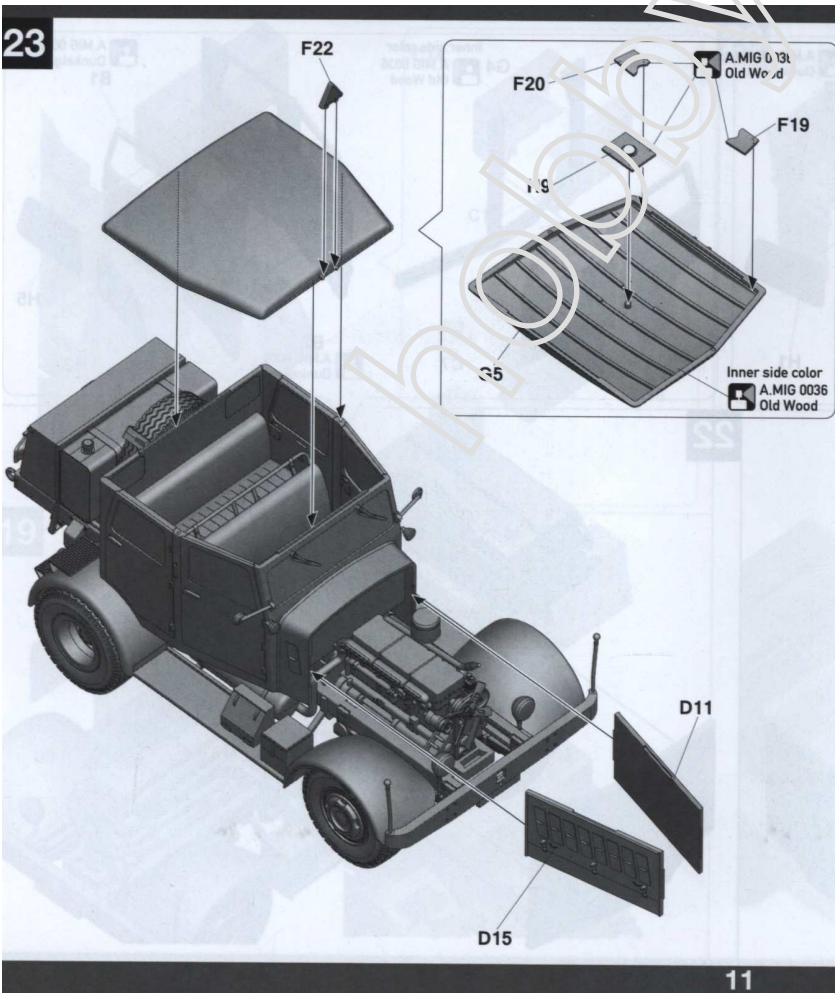
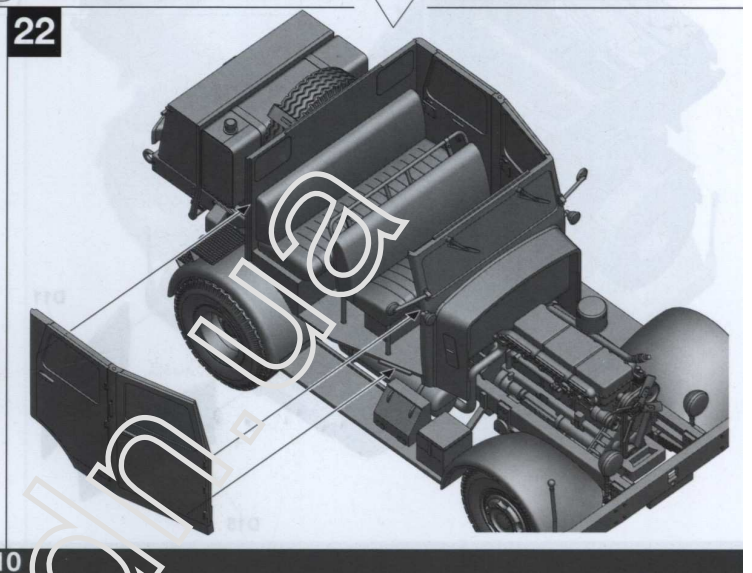
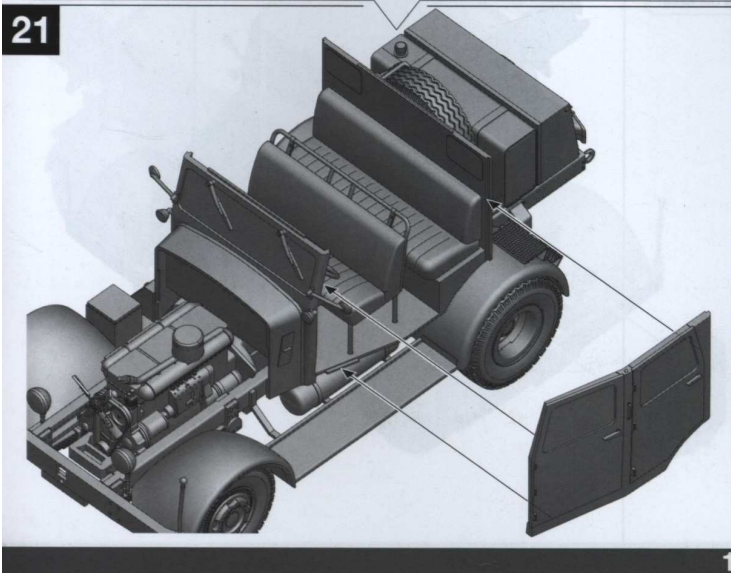
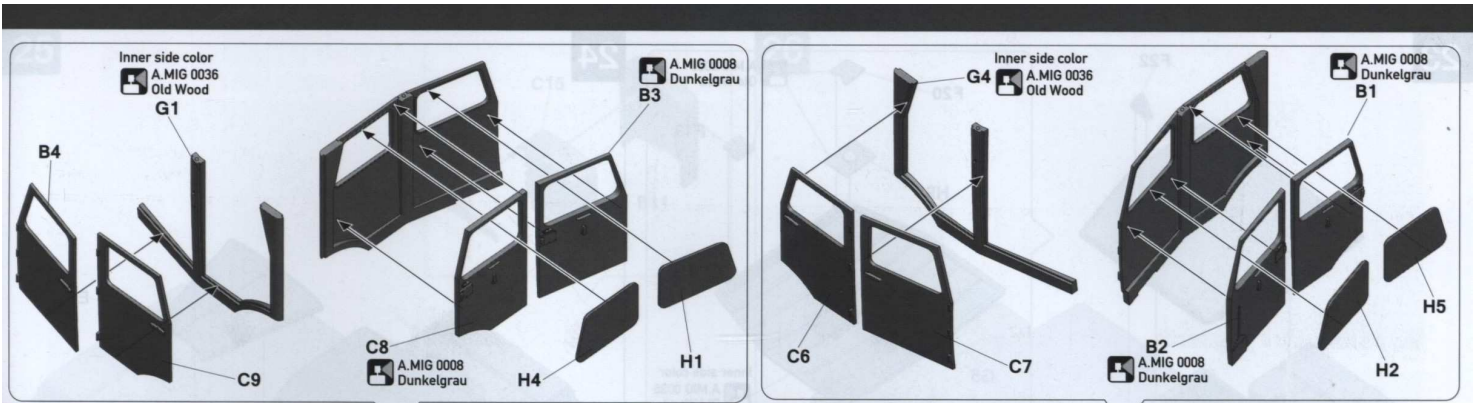


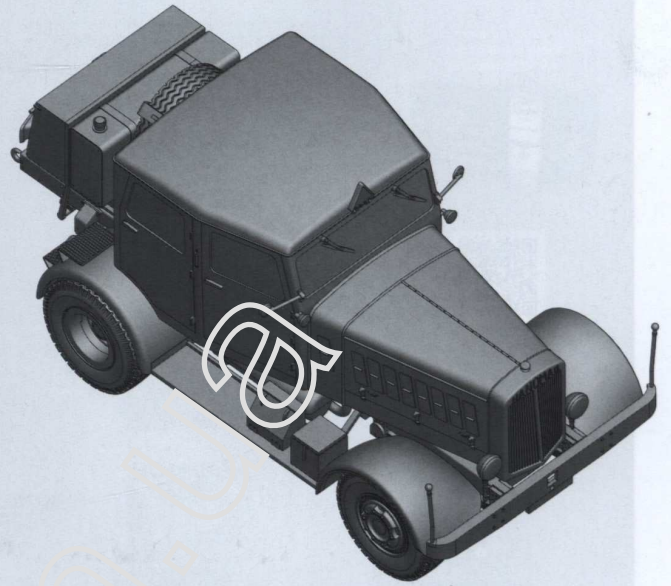
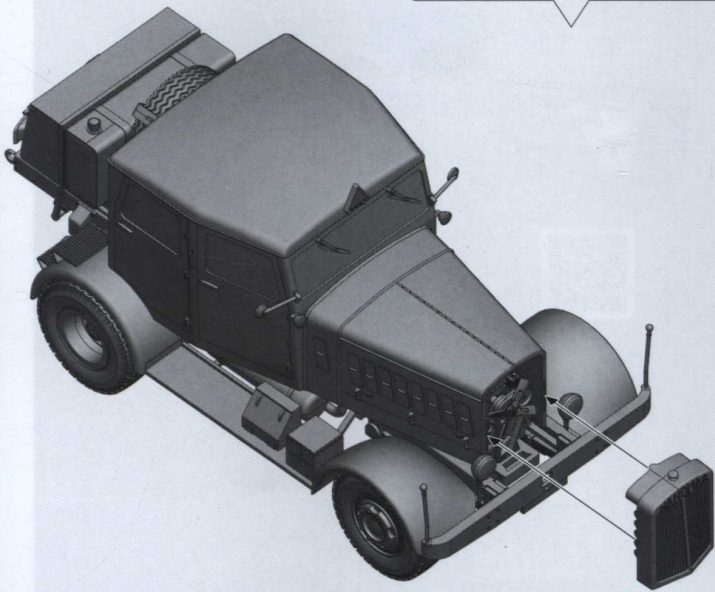
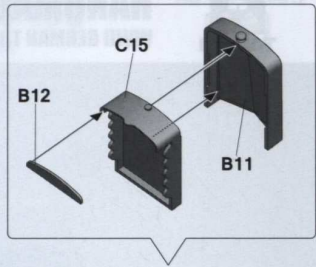


**Make 2**









Painting and Marking Guide

Mittelwerk, 1945  
(Nordhausen, Germany)

AMMO 001 Olivegreen AMMO 033 Rubber & Tire AMMO 195 Silver AMMO 093

You can find some of these paints in this AMMO colour set



Painting and Marking Guide

Penemunde, 1943

AMMO 010 Dunkelgelb AMMO 033 Rubber & Tire AMMO 195 Silver AMMO 093 Crystal red

You can find some of these paints in this AMMO colour set



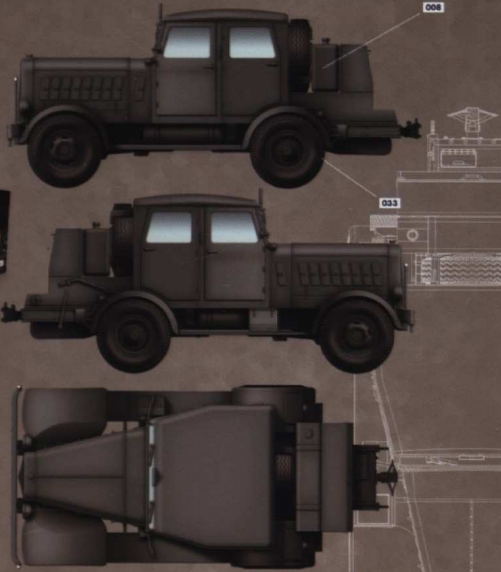
Painting and Marking Guide  
Tempelhof, 1942 (Berlin)

A.M.C. 008 Dunkelgrün A.M.C. 013 Rubber & Tires A.M.C. 115 Silber A.M.C. 093 Crystal red

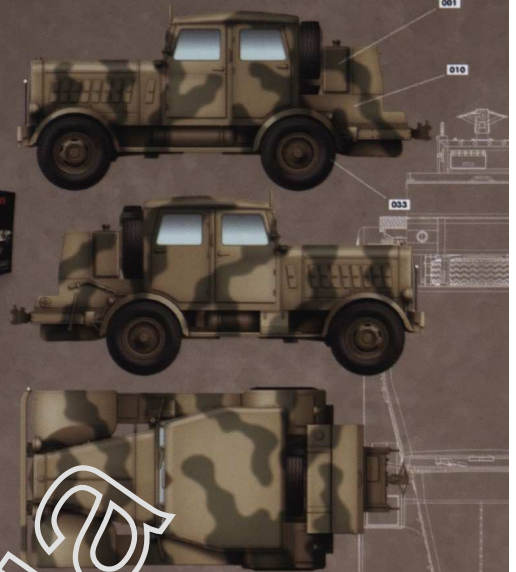
Painting and Marking Guide  
Belgium, 1944

A.M.C. 001 Olivgrün A.M.C. 033 Rubber & Tires A.M.C. 115 Silber A.M.C. 093 Crystal red  
A.M.C. 011 Dunkelgelb

You can find some of these paints in this AMMO colour set



You can find some of these paints in this AMMO colour set

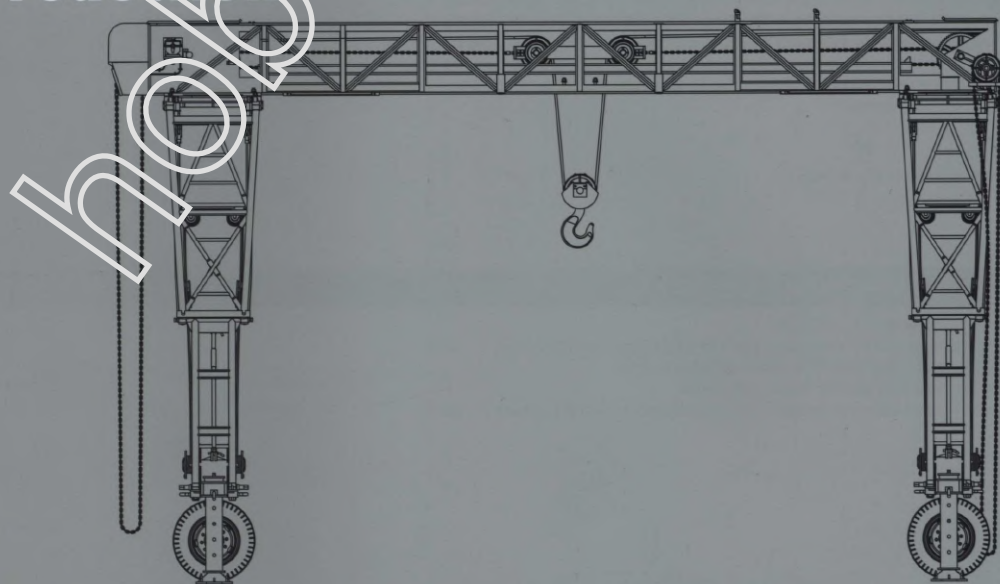


TAKOM WWII German tractor HANOMAG SS 100 Ref: 2068



TAKOM WWII German tractor HANOMAG SS 100 Ref: 2068

# STRATENWERTH 15t STRABOKRAN 1944/45 Production



At the outset of WWII, German armored units were equipped with mostly light and medium tanks, accompanied by repair echelons consisting of gantry cranes with lifting capacities of up to 6 tons. However, after facing heavier Soviet tanks on the eastern front, the Wehrmacht began suffering heavy losses and soon realized the need for more heavily armored tanks to fight on the rapidly evolving battlefield. This led to the development of the heavy tanks such as the Tigers & Panthers, weighing as much as 30 tons. The existing gantry cranes in field maintenance units were too weak to service the new heavy tanks, so the Germans turned to the mobile gantry cranes manufactured by J.S Fries Frankfurt am Main which were developed in the 1930's for lifting heavy loads in ports & railroad facilities.

The Strabokran (Strassen bock kran, or road gantry crane) consisted of a horizontal gantry supported by a pair of collapsible support towers. The gantry housed a winch on a rail-mounted trolley. A motor was mounted at one end for powered lifting, and a hand-powered chain wheel was mounted at the opposite end for driving the horizontal movement of the trolley. Each of the twin support towers consisted of four hinged scissor-sections, which were erected by a hand-cranked winch mounted in the base of each tower, and then locked together. Strabokrane with 15t, 16t and 20t lifting capacities were developed in different years, and were towed by Sd.Kfz 8 and Sd.Kfz. 9 halftracks. Approximately 100 Strabokrane were built, some of which were license-built at the company Stratenwerth in Duisburg until the war's end, and were supplied to units equipped with Tiger's & Panthers, as well as V2 units.



# READ BEFORE ASSEMBLY

## CAUTION

- Read carefully and fully understand the instructions before commencing assembly. A supervising adult should also read the instructions if a child assembles the model.
- When assembling this kit, tools including knives used. Extra care should be taken to avoid personal injury.
- Keep out of reach of small children. Children must not be allowed to suck any part, or pull vinyl bag over their heads.



Optional



Do Not Cement



Instant Glue for Metal

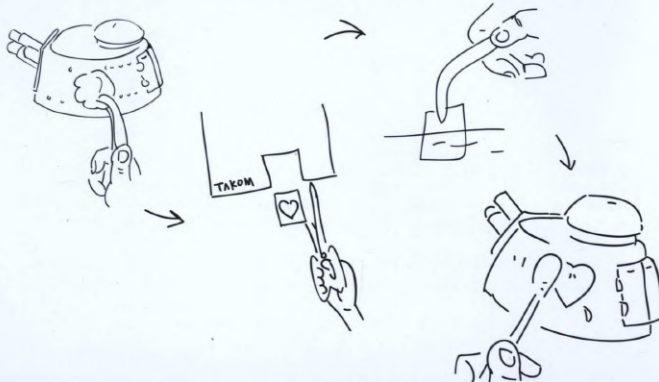
## PAINTS REQUIRED

Color info and profiles by Mig Jimenez

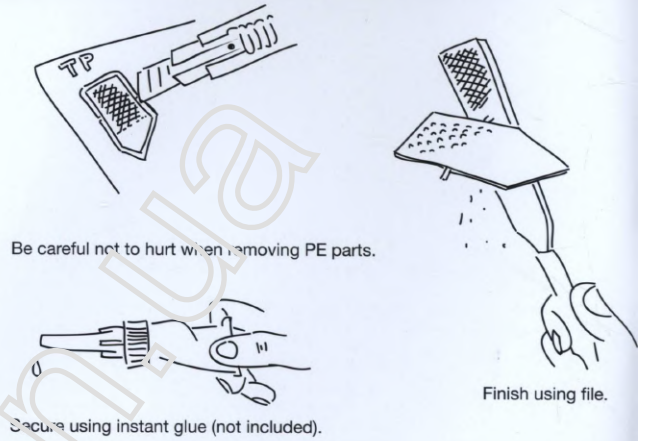
A.MIG.033	Rubber & Tires	A.MIG.038	Mat White	A.MIG.192	Polished Metal	A.MIG.010	Dunkelgelb Mid war
A.MIG.001	Olivgrun Opt.1	A.MIG.011	Dunkelgelb Aus 44 DGI	A.MIG.002	Olivgrun Opt.2		

## APPLYING DECALS

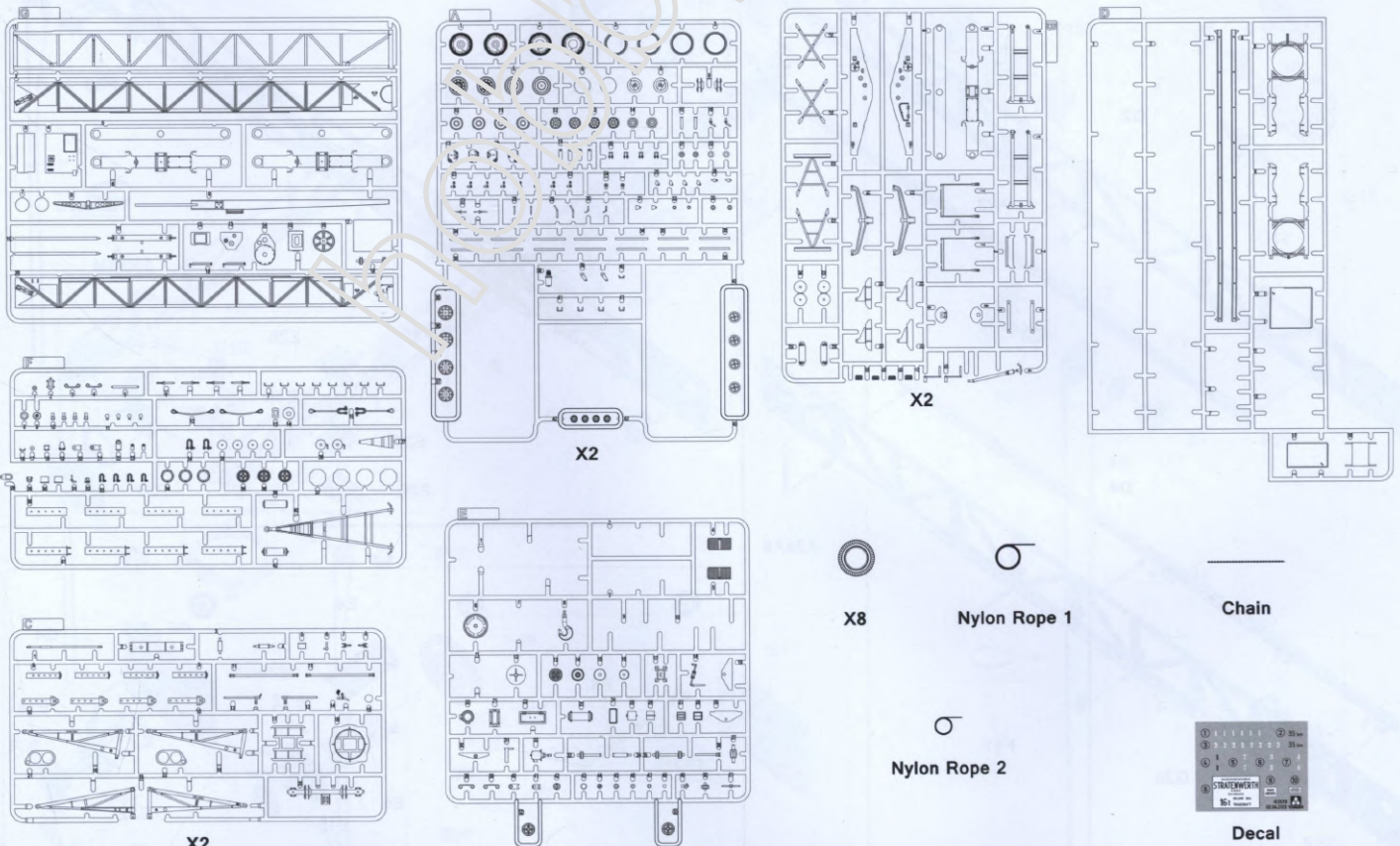
1. Clean the model surface with a wet cloth.
2. Cut out each decal design from sheet, and dip it in tepid water for 15-20 sec.
3. Hold the backing sheet edge and slide decal onto the model.
4. Move decal into position by wetting decal with finger.
5. Press decal gently down with a soft cloth until excess water and air bubbles are gone.

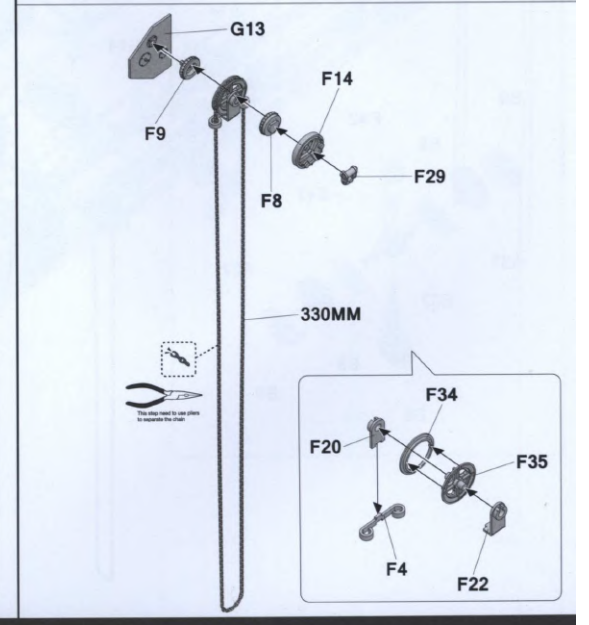
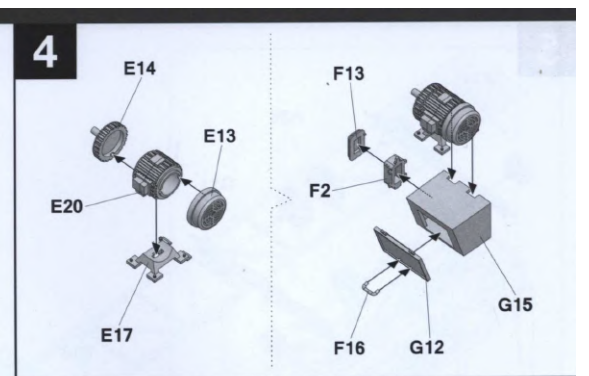
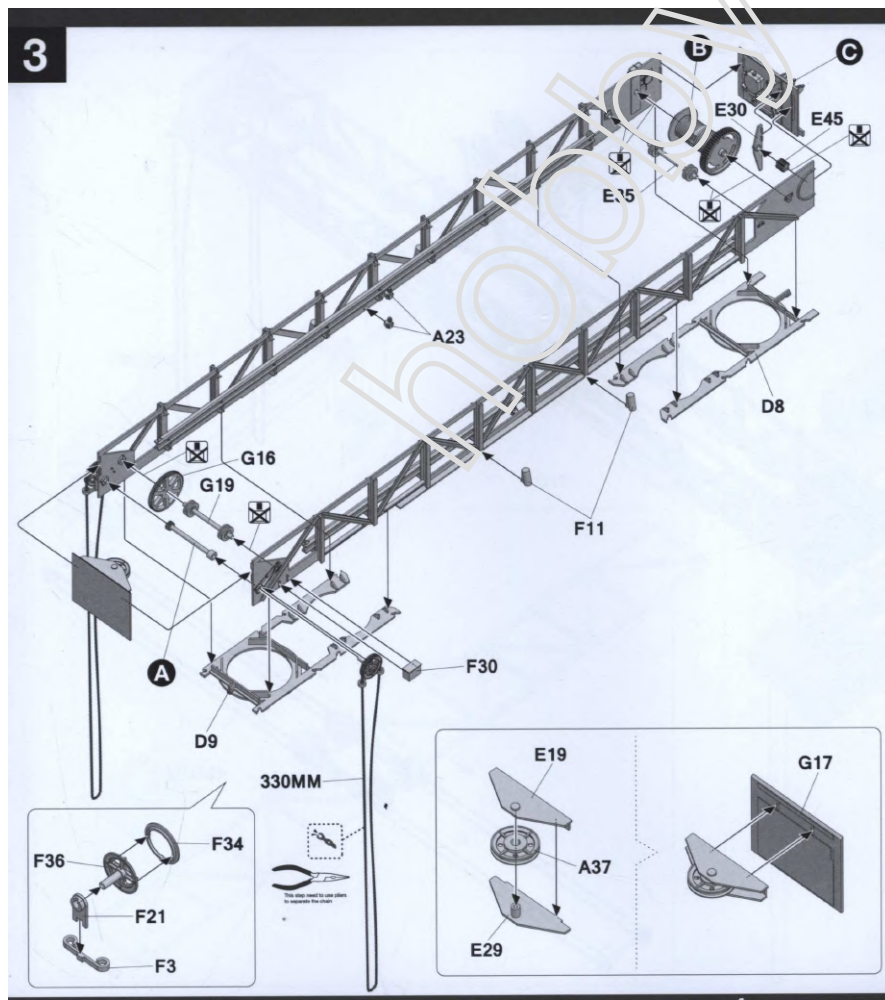
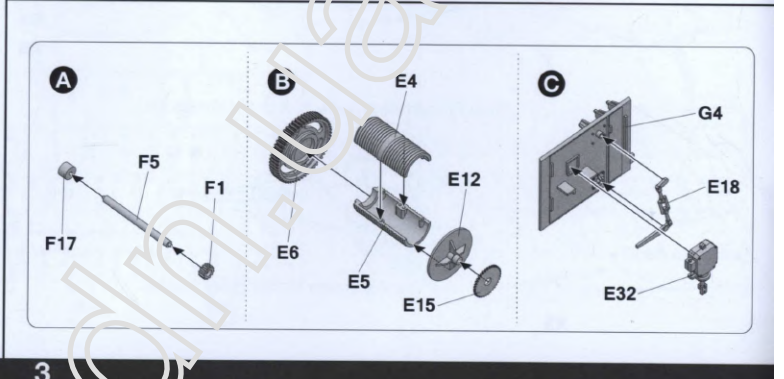
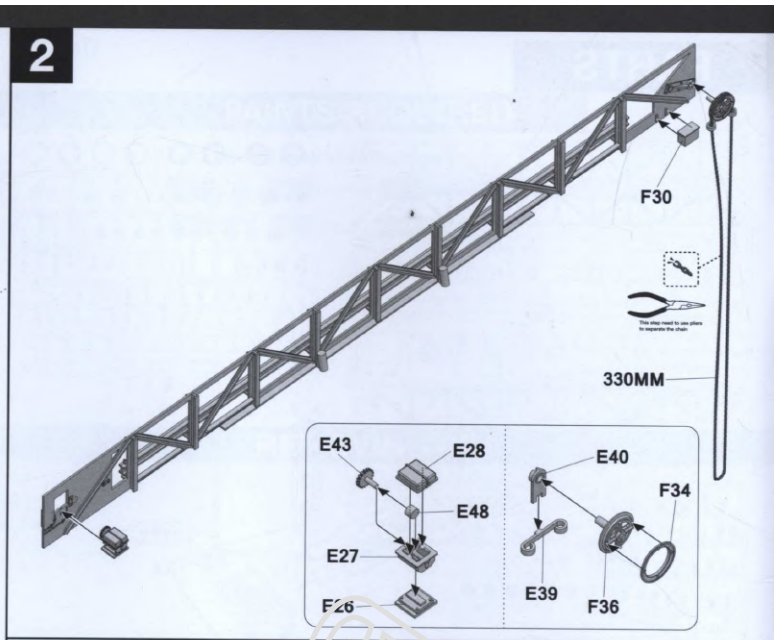
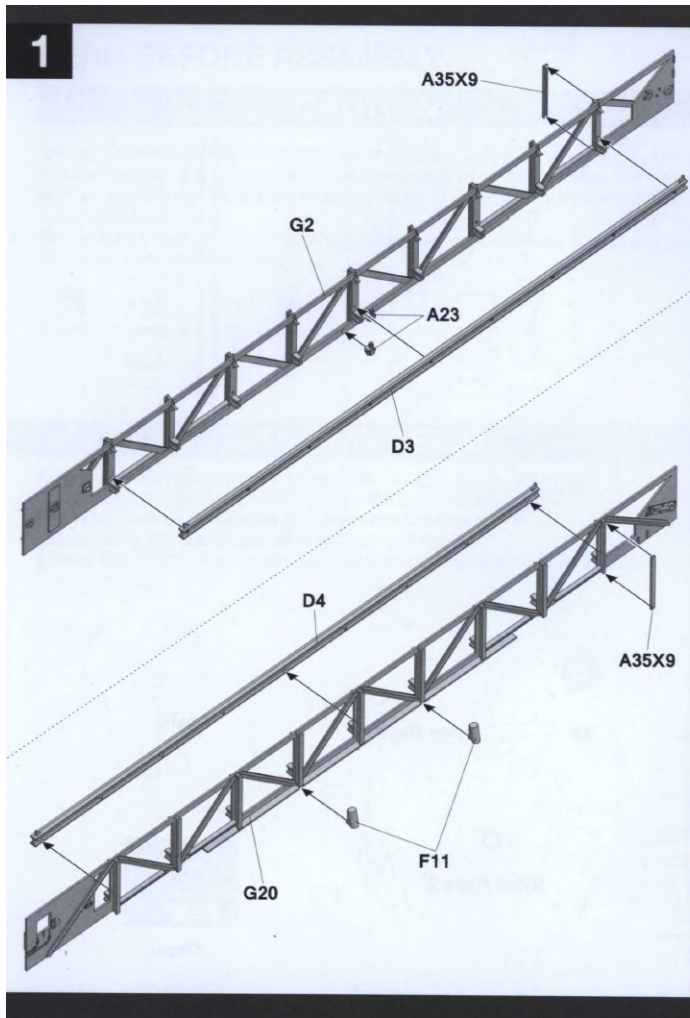


## REMOVING PE



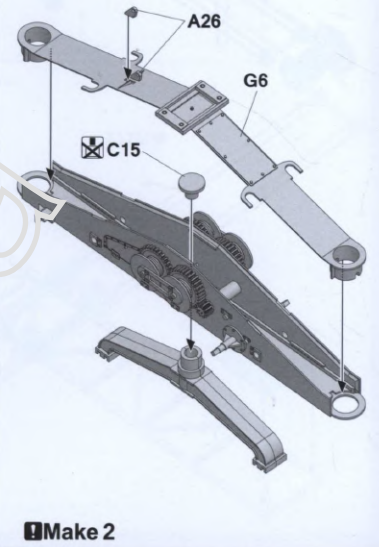
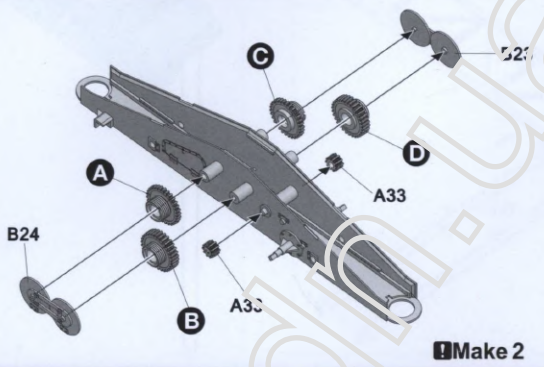
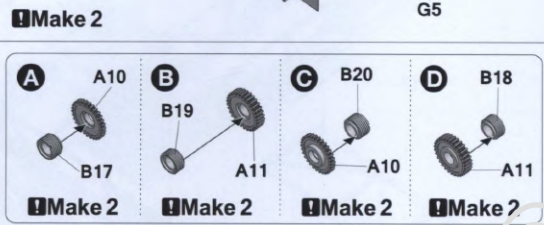
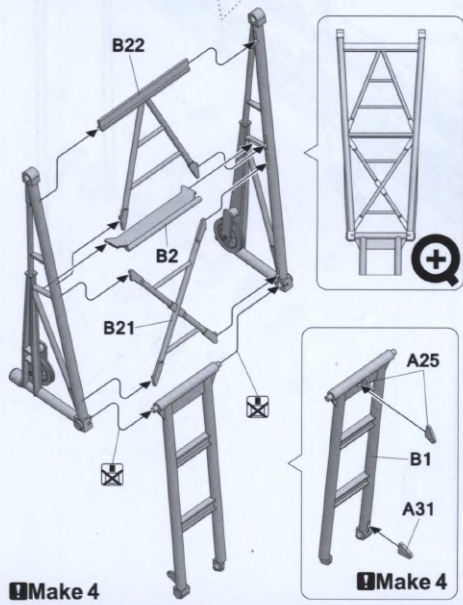
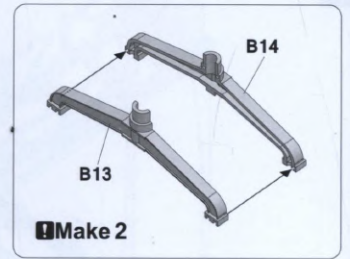
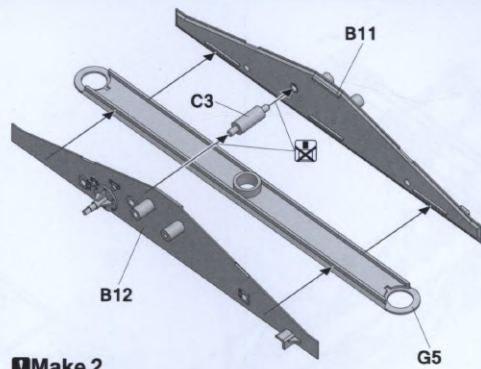
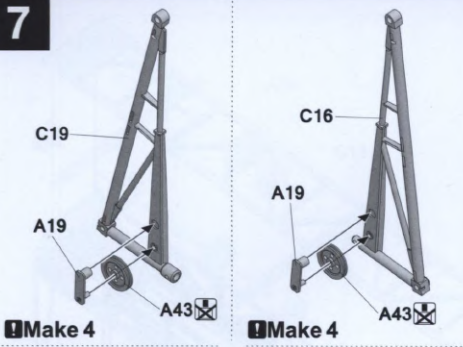
## PARTS





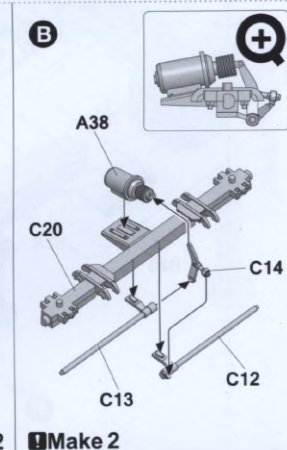
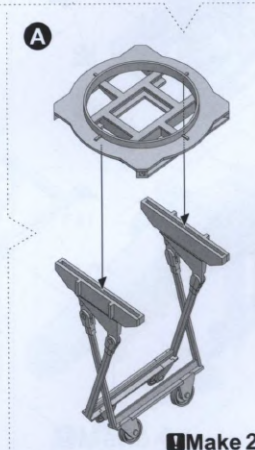
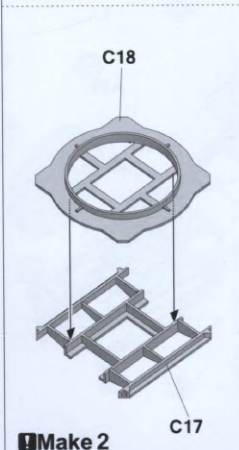
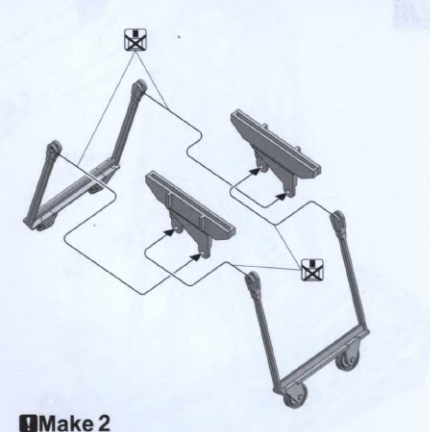
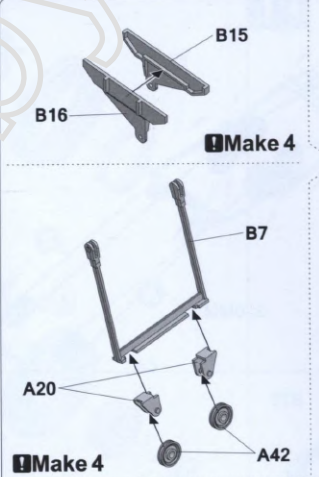
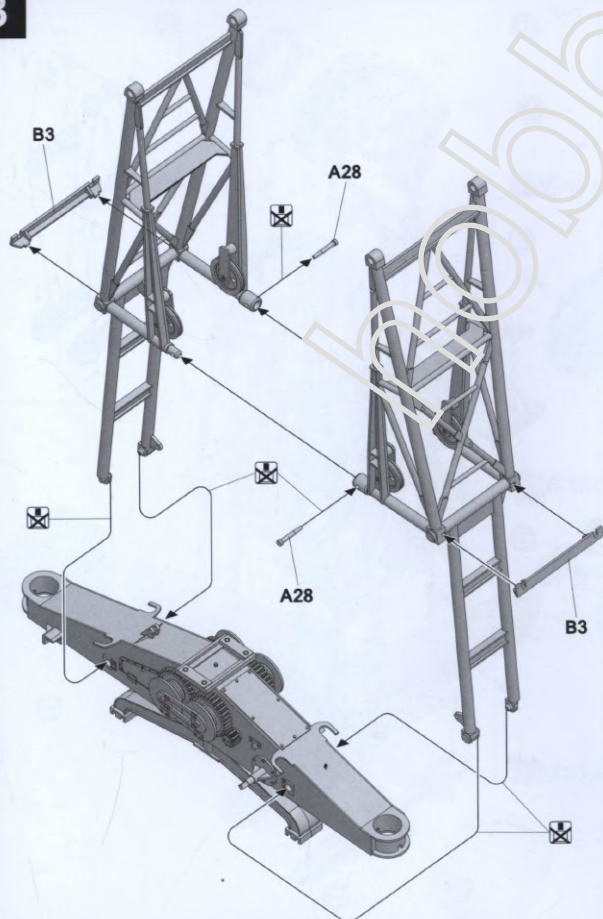


7



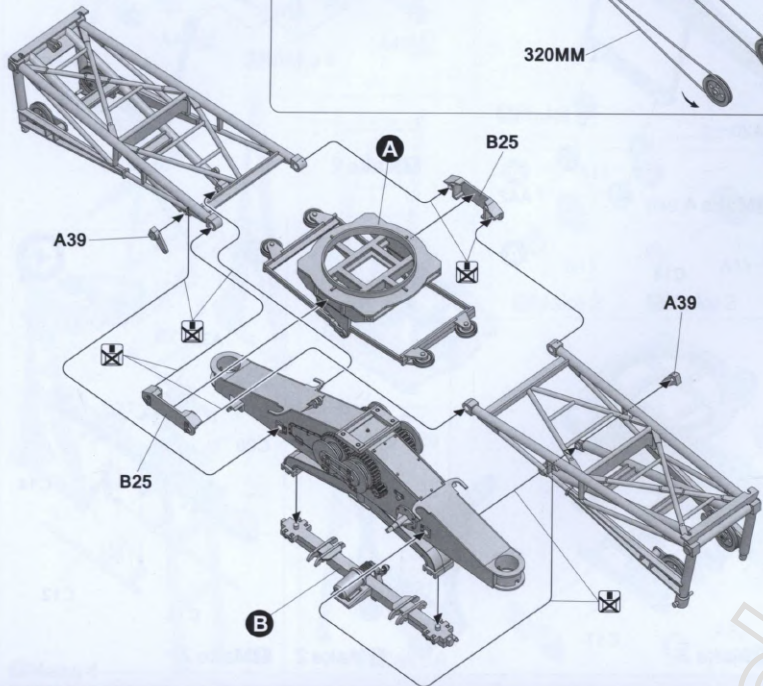
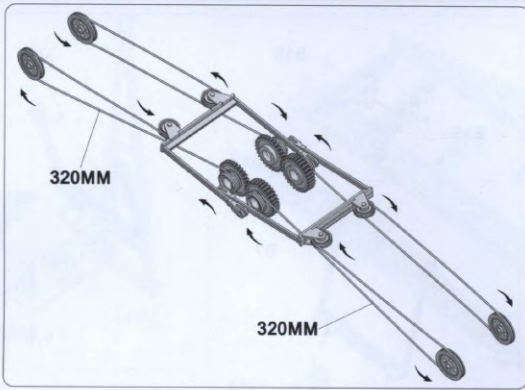
7

8

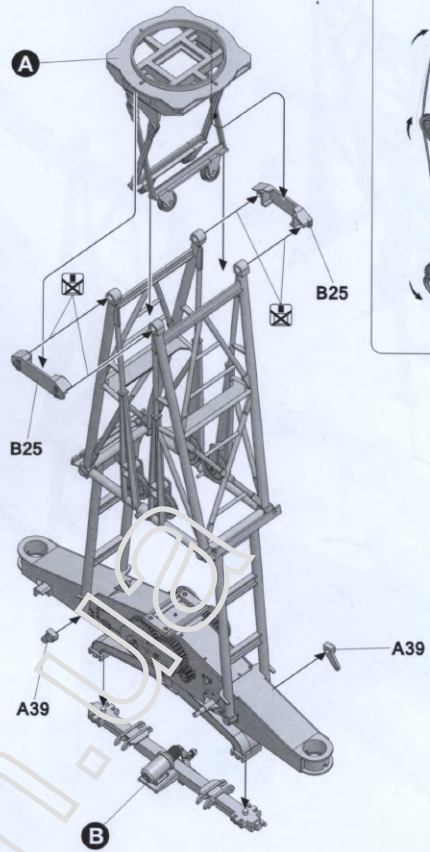


8

9

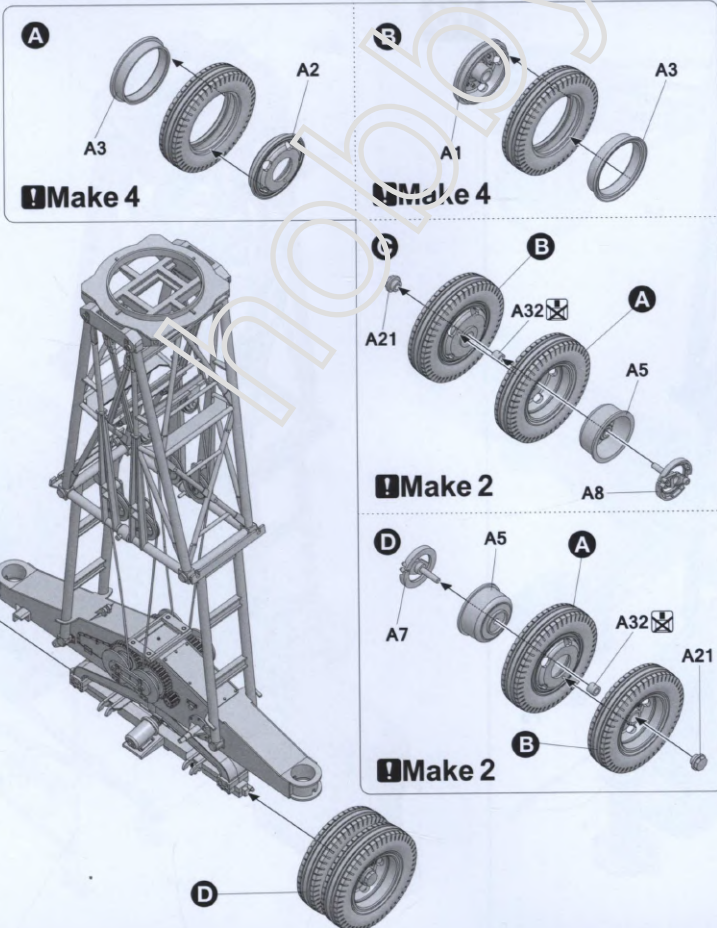


Optional

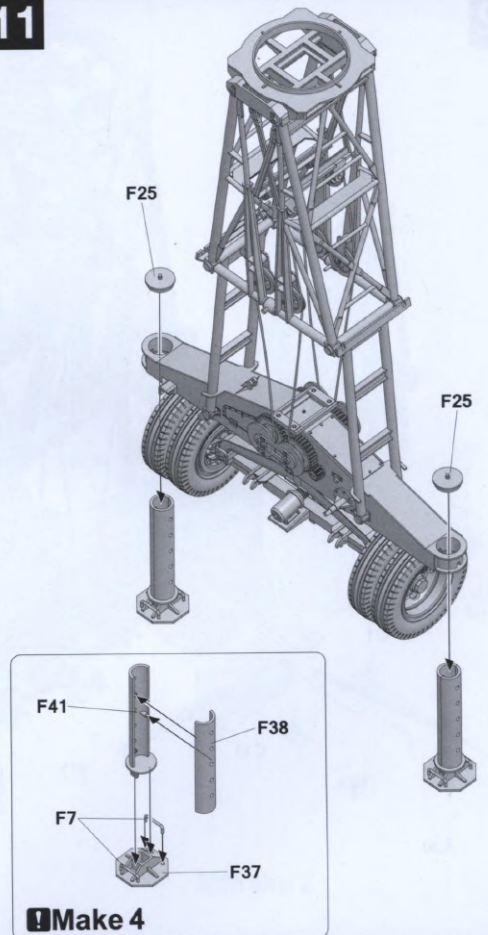


9

10

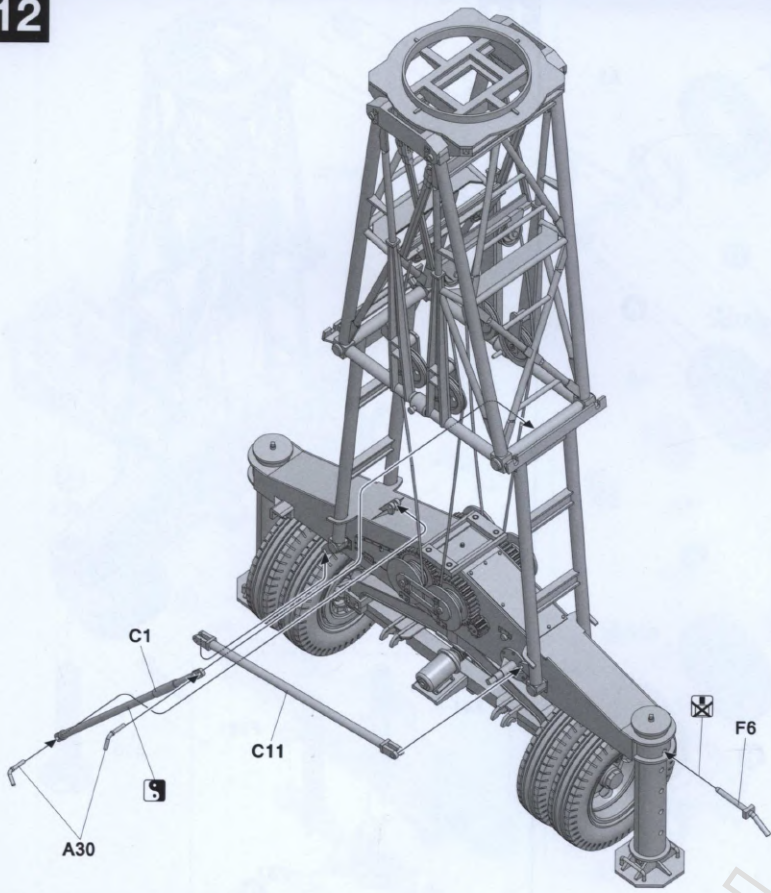


11

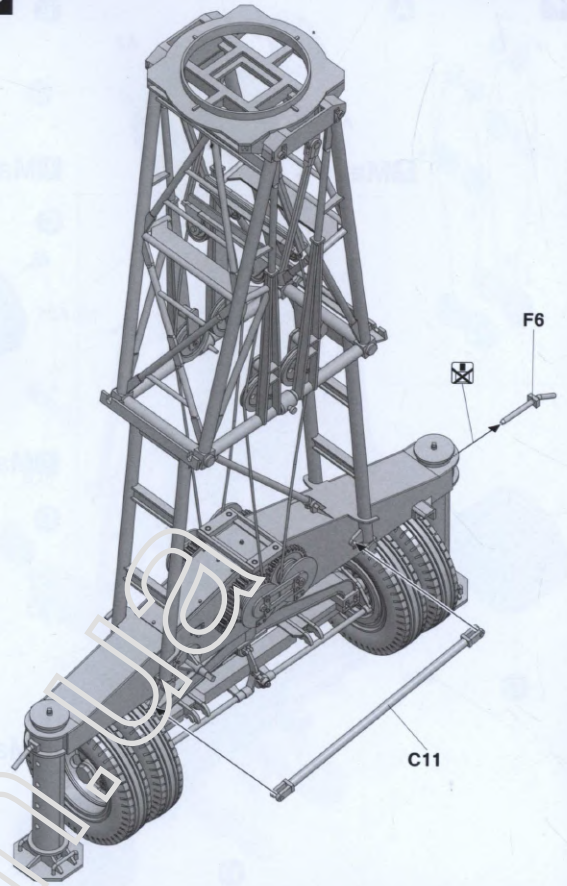


10

12

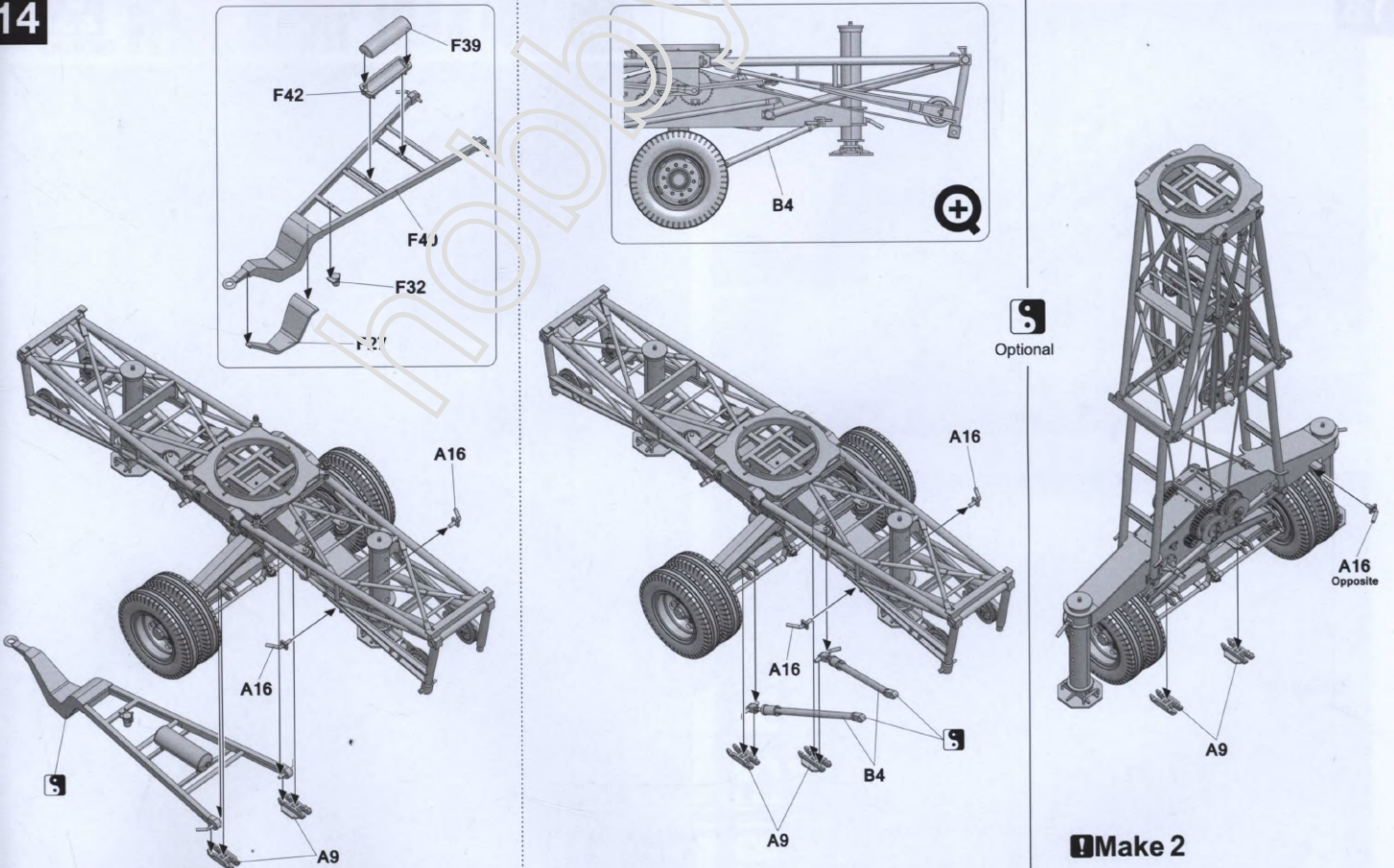


13



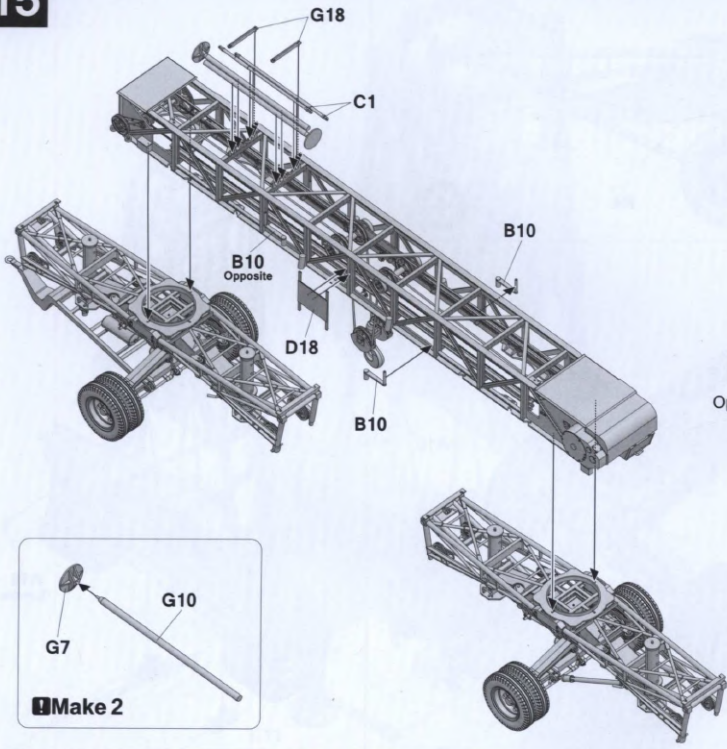
11

14

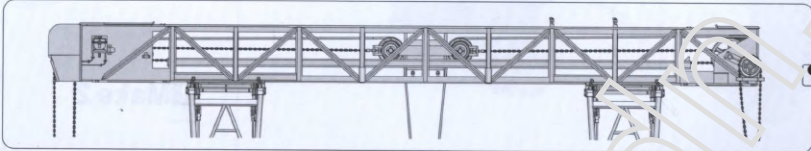
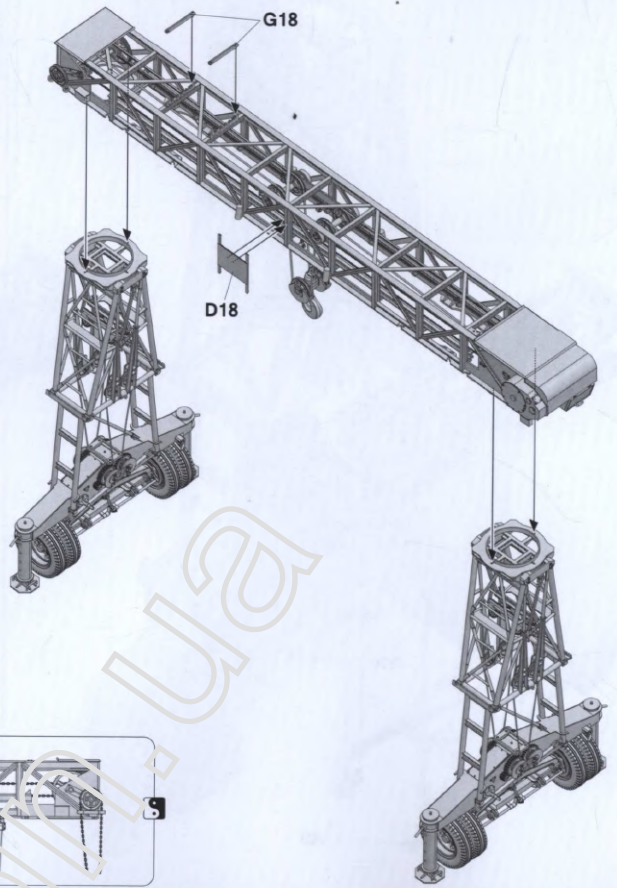


12

15

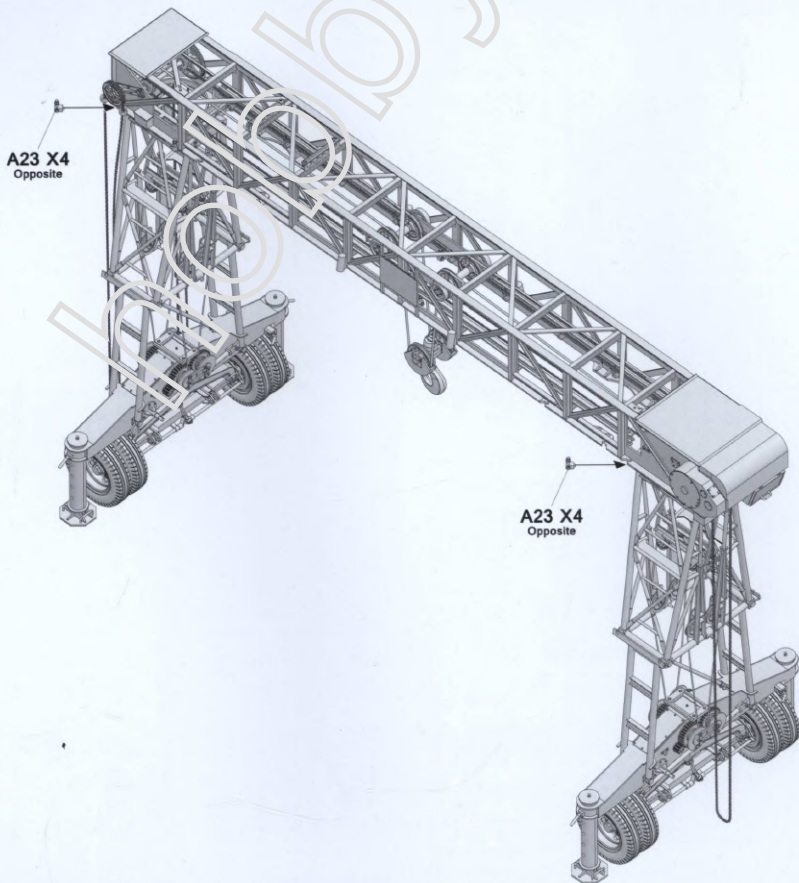


Optional

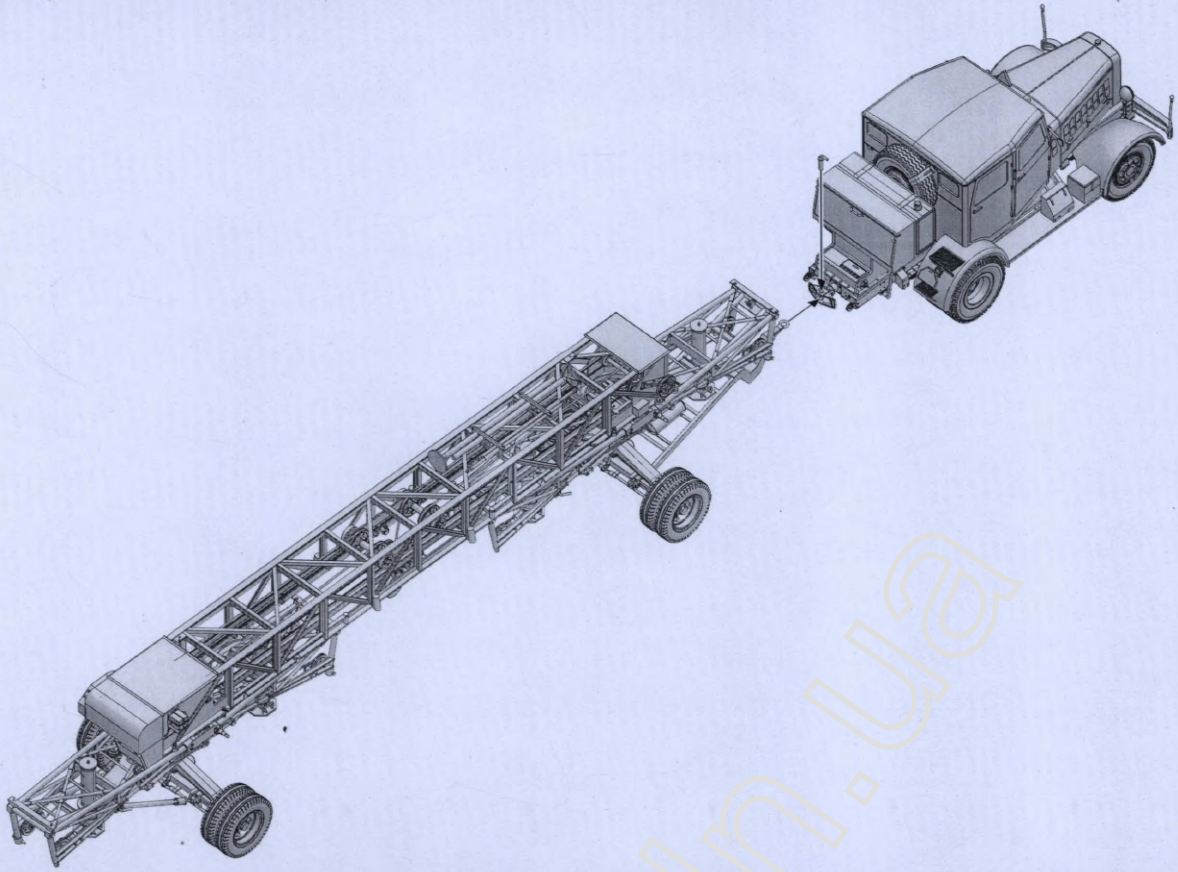


13

16



14



15

Painting and Marking Guide

**TAKOM** Ref: 2123  
1/35 'Fries Kran' 1944/45 License built by Stratenwerth

- A.MIG 033** Rubber & Tires
- A.MIG 050** Mesh White
- A.MIG 192** Polished Metal
- A.MIG 010** Dunkelgelb Mid war



WEATHERING STEPS WITH AMMO PRODUCTS

- |  |   |   |  |
|--|---|---|--|
| <p><b>1</b> GENERAL WASH<br/>A.MIG-1000 Brown Wash for German Yellow</p> <p><b>2</b> FILTER<br/>A.MIG-1510 Tan for 3 Tone Camo</p> | <p><b>3</b> STREAMING<br/>A.MIG-1203 Streaming Oxide</p> <p><b>4</b> RUST<br/>A.MIG-3010 Rust</p> | <p><b>5</b> TIRE WASH<br/>A.MIG-1403 Earth</p> <p><b>6</b> DIRT<br/>A.MIG-3015 Brick Dust</p> | <p><b>7</b> SPLASHES<br/>A.MIG-1763 Tanned Dirt</p> <p><b>8</b> GREASE &amp; OIL<br/>A.MIG-1408 Fresh Engine Oil</p> |
|--|---|---|--|

Painting and Marking Guide

**TAKOM** Ref: 2123  
1/35 'Fries Kran' 1944/45 License built by Stratenwerth

- A.MIG 033** Rubber & Tires
- A.MIG 050** Mesh White
- A.MIG 192** Polished Metal
- A.MIG 001** Ollgrün Opt 1
- A.MIG 011** Dunkelgelb AUS 44 DG I



WEATHERING STEPS WITH AMMO PRODUCTS

- |   |   |  |   |
|---|---|--|---|
| <p><b>1</b> GENERAL WASH<br/>A.MIG-1000 Dark Wash</p> <p><b>2</b> FILTER<br/>A.MIG-1510 Tan for 3 Tone Camo</p> | <p><b>3</b> STREAMING<br/>A.MIG-1206 Dark Streaming Oxide</p> <p><b>4</b> RUST<br/>A.MIG-1254 Streamingbrauner Rust</p> | <p><b>5</b> TIRE WASH<br/>A.MIG-1409 Kurze Schl</p> <p><b>6</b> DIRT<br/>A.MIG-3012 Sand</p> | <p><b>7</b> SPLASHES<br/>A.MIG-1762 Loose Gravel</p> <p><b>8</b> GREASE &amp; OIL<br/>A.MIG-1408 Fresh Engine Oil</p> |
|---|---|--|---|





# Fries Kran' 1944/45

www.migjimez.com



## Painting and Marking Guide

A.MIG.033 Rubber & Tire A.MIG.050 Matt White A.MIG.192 Polished Metal

TAKOM Ref: 2123

1/35 Fries Kran' 1944/45 License built by Stratenwerth

A.MIG.002 Oilingin Oyl 2



### WEATHERING STEPS WITH AMMO PRODUCTS

- 1** GENERAL WASH  
A.MIG-1002 Dark Brown Wash for Green vehicles
- 2** PAINTER  
A.MIG-1008 Green for Gray Green
- 3** STEELWORK  
A.MIG-1208 Threading/Under Green-Gray Green
- 4** RUST  
A.MIG-1204 Striking Rust Effects
- 5** TIRE WASH  
A.MIG-1408 Clump Earth
- 6** SPLASHER  
A.MIG-1704 Clump Earth
- 7** GREASE & OIL  
A.MIG-1608 Fresh Engine Oil



hobby.com.ua