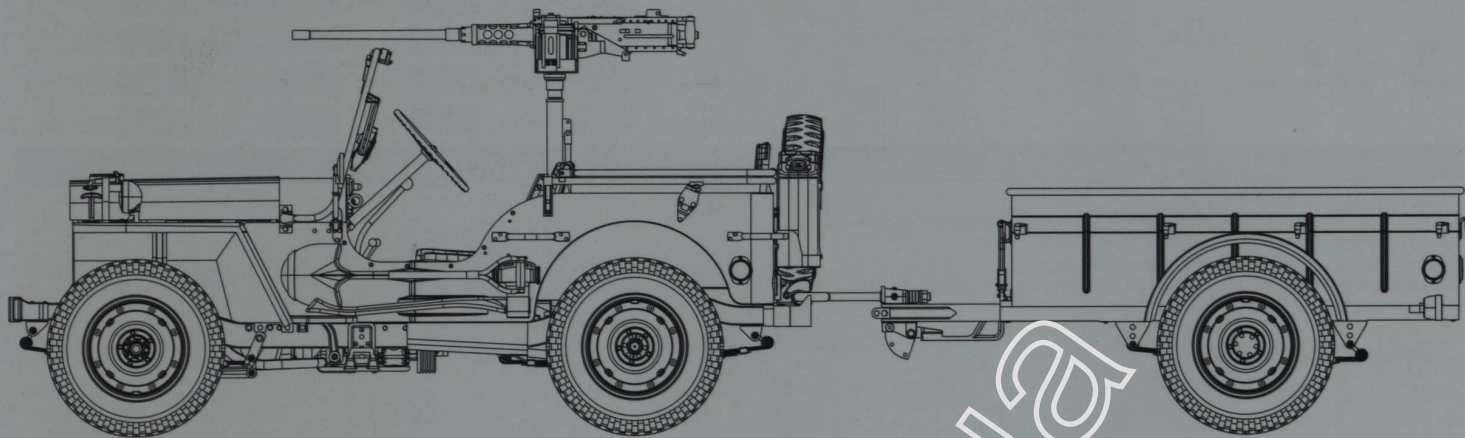


# U.S. ARMY 1/4 TON UTILITY TRUCK WITH 1/4 TON UTILITY TRAILER & MP FIGURE



Powered by a 60hp engine, the U.S. Army 1/4-ton trucks were widely popular off-road capable light utility vehicles, built in large numbers to a standardized design from 1941 to 1945, for the Allied forces in World War II. With an operational range of 300 miles, the 1/4-ton truck became the primary light wheeled transport vehicle of the United States military and its allies in World War II, as well as the postwar period. About 650,000 units were built, constituting a quarter of the total U.S. non-combat motor vehicles produced during the war, with large numbers being provided to U.S. allies.

03.02.2126

## READ BEFORE ASSEMBLY

### CAUTION

- Read carefully and fully understand the instructions before commencing assembly. A supervising adult should also read the instructions if a child assembles the model.
- When assembling this kit, tools including knives used. Extra care should be taken to avoid personal injury.
- Keep out of reach of small children. Children must not be allowed to suck any part, or pull vinyl bag over their heads.



Optional



Instant Glue for Metal

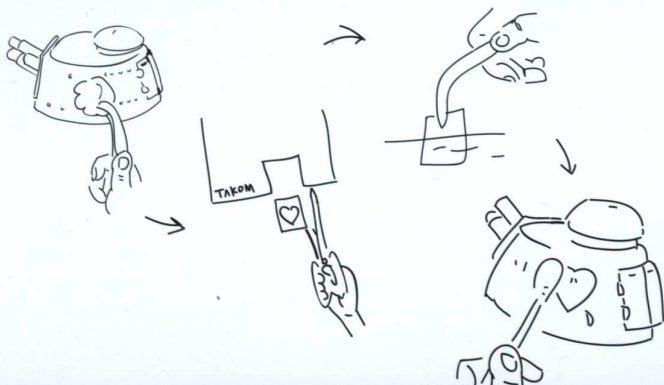
### PAINTS REQUIRED

Color info and profiles by Mig Jimenez

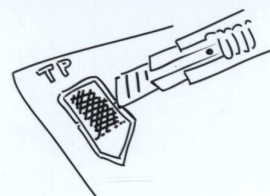
A.MIG-0033	Rubber & Tires	A.MIG-0056	Green Khaki	A.MIG-0032	Satin Black	A.MIG-0045	Gun Metal
A.MIG-0195	Silver	A.MIG-0094	Crystal Glass	A.MIG-0093	Crystal Red	A.MIG-0038	Old Wood
A.MIG-0928	Olive Drab Base	A.MIG-0037	New Wood	A.MIG-0047	Satin White	A.MIG-0038	Light Wood
A.MIG-0081	US Olive Drab	A.MMO.F-508	Brown Base	A.MMO.F-509	Uniform Green Base	A.MMO.F-510	Uniform Sand Yellow
A.MIG-0115	Light Skin Tone	A.MMO.F-511	Light Sand	A.MIG-0118	Basic Skin Tone	A.MMO.F-0117	Warm Skin Tone
A.MMO.F-503	Dark Olive Green	A.MIG-0191	Steel	A.MMO.F-501	White for figures	A.MMO.F-502	Outlining Black

### APPLYING DECALS

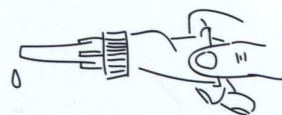
1. Clean the model surface with a wet cloth.
2. Cut out each decal design from sheet, and dip it in tepid water for 15~20 sec.
3. Hold the backing sheet edge and slide decal onto the model.
4. Move decal into position by wetting decal with finger.
5. Press decal gently down with a soft cloth until excess water and air bubbles are gone.



### REMOVING PE



Be careful not to hurt when removing PE parts.

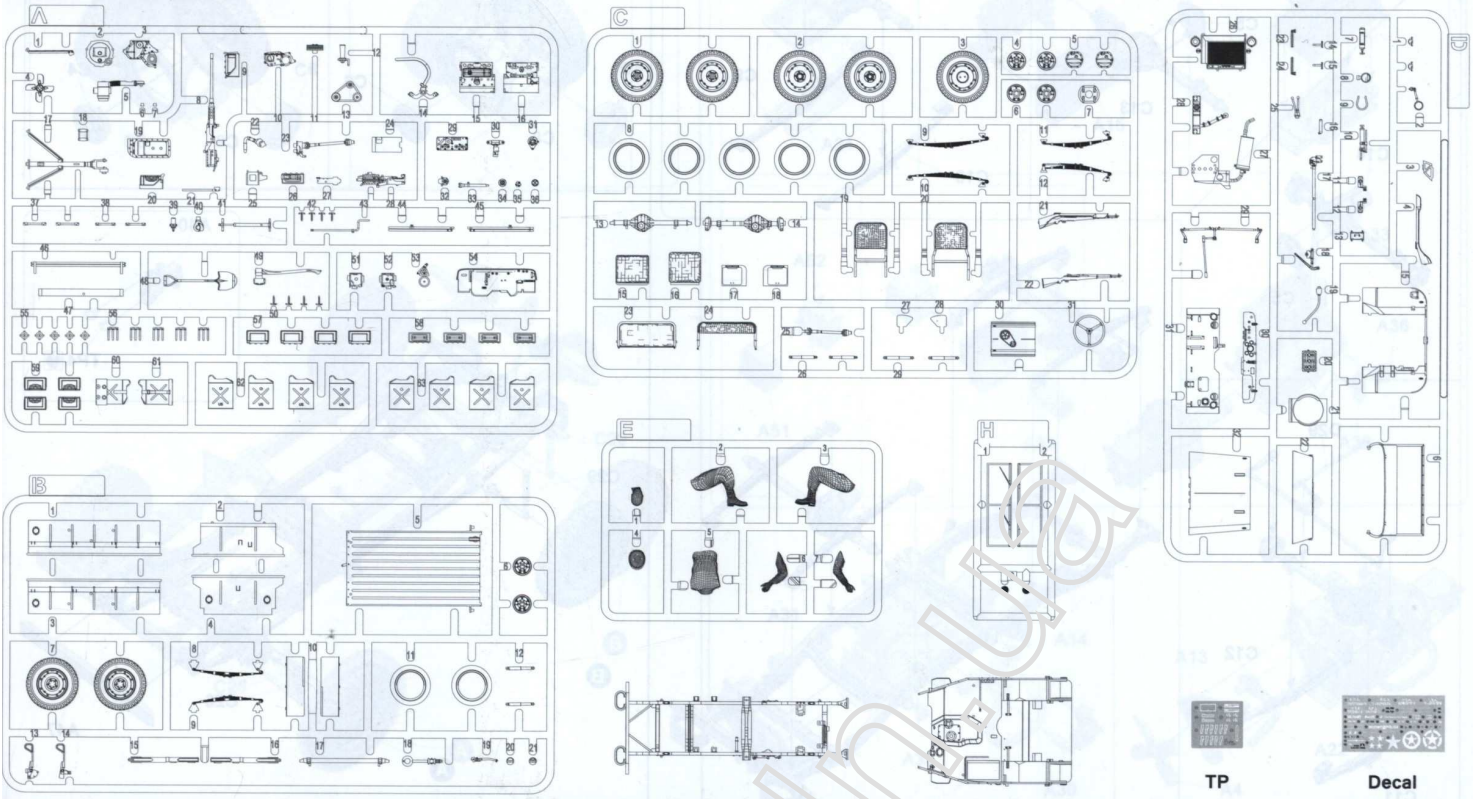


Secure using instant glue (not included).

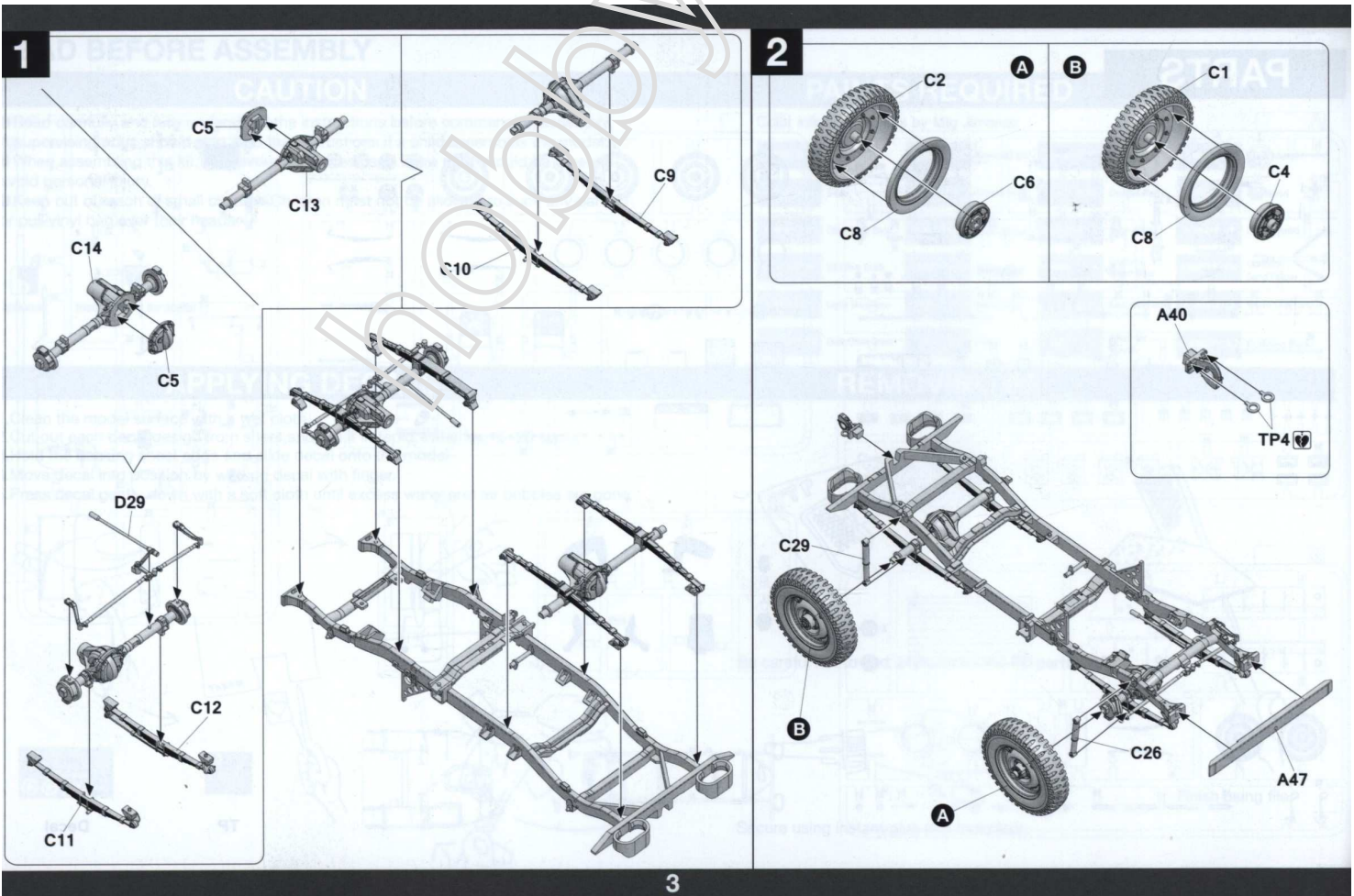


Finish using file.

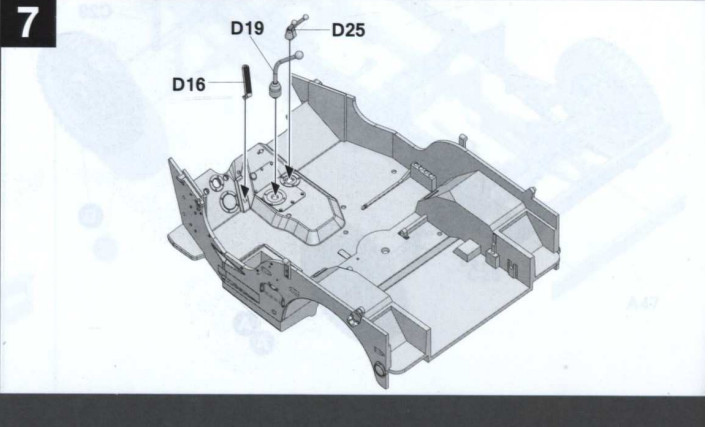
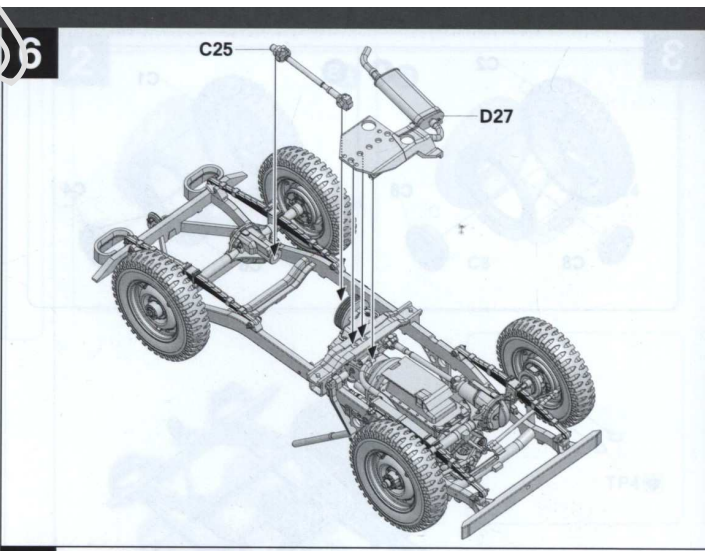
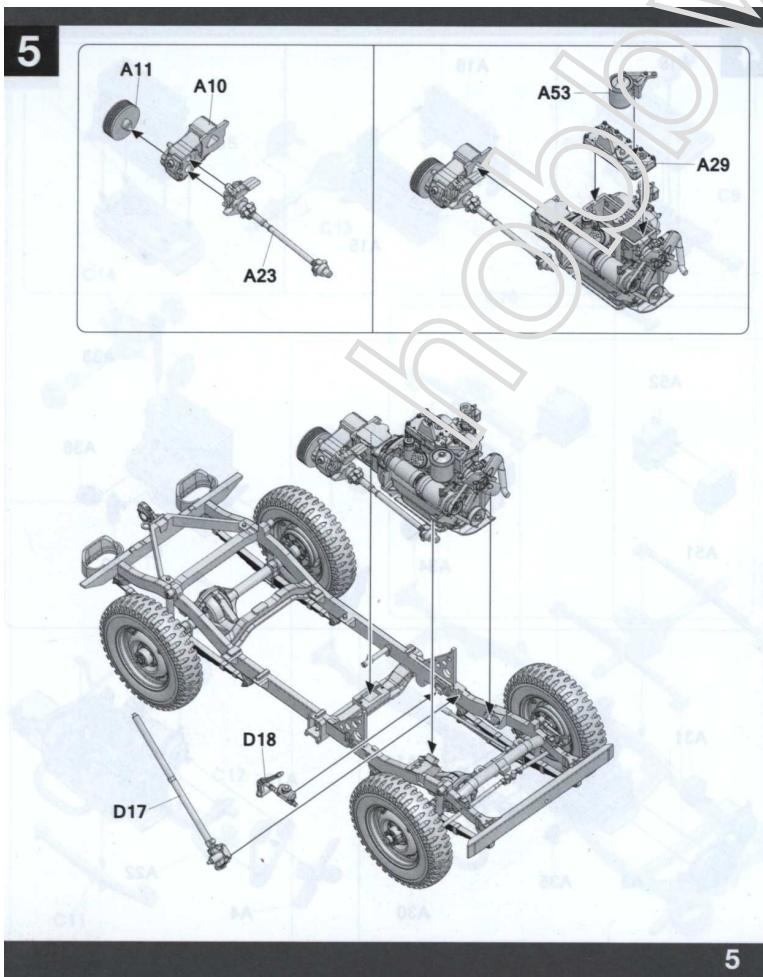
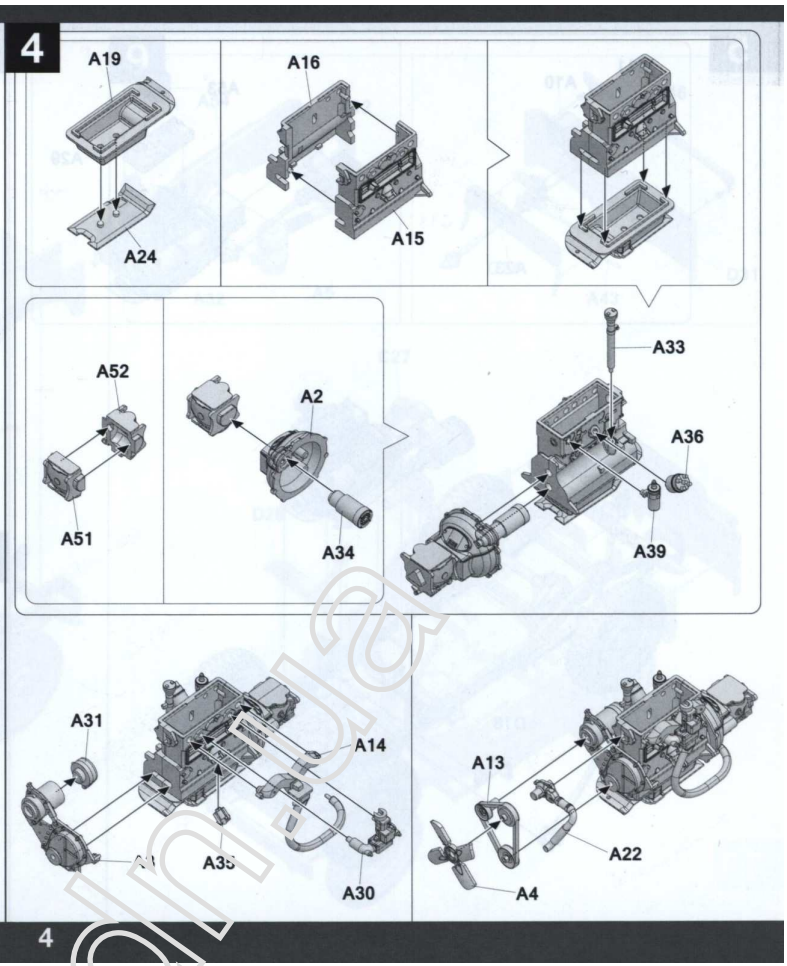
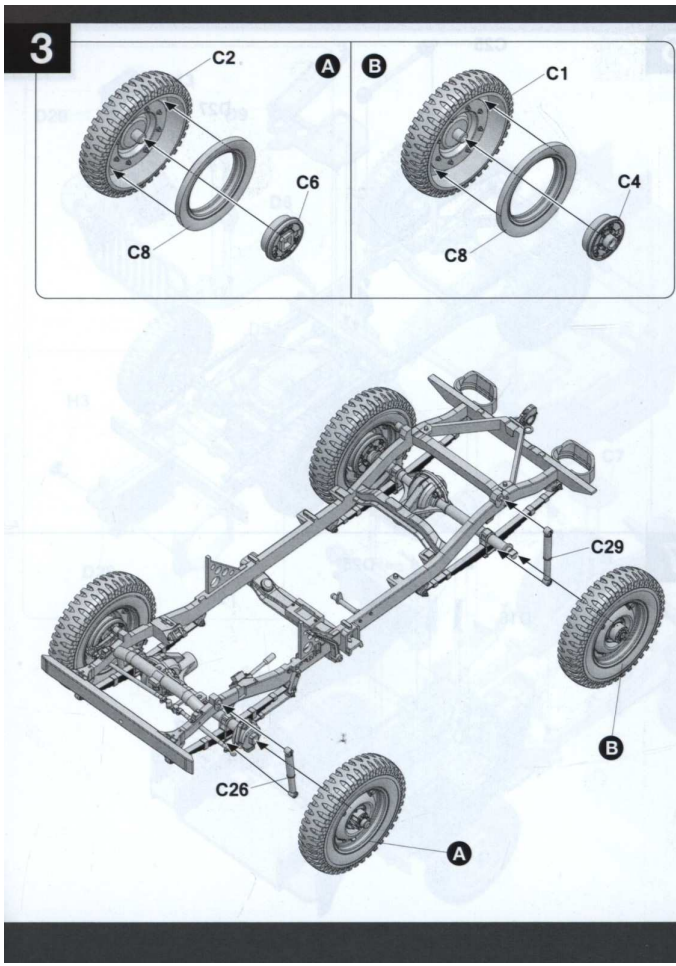
# PARTS

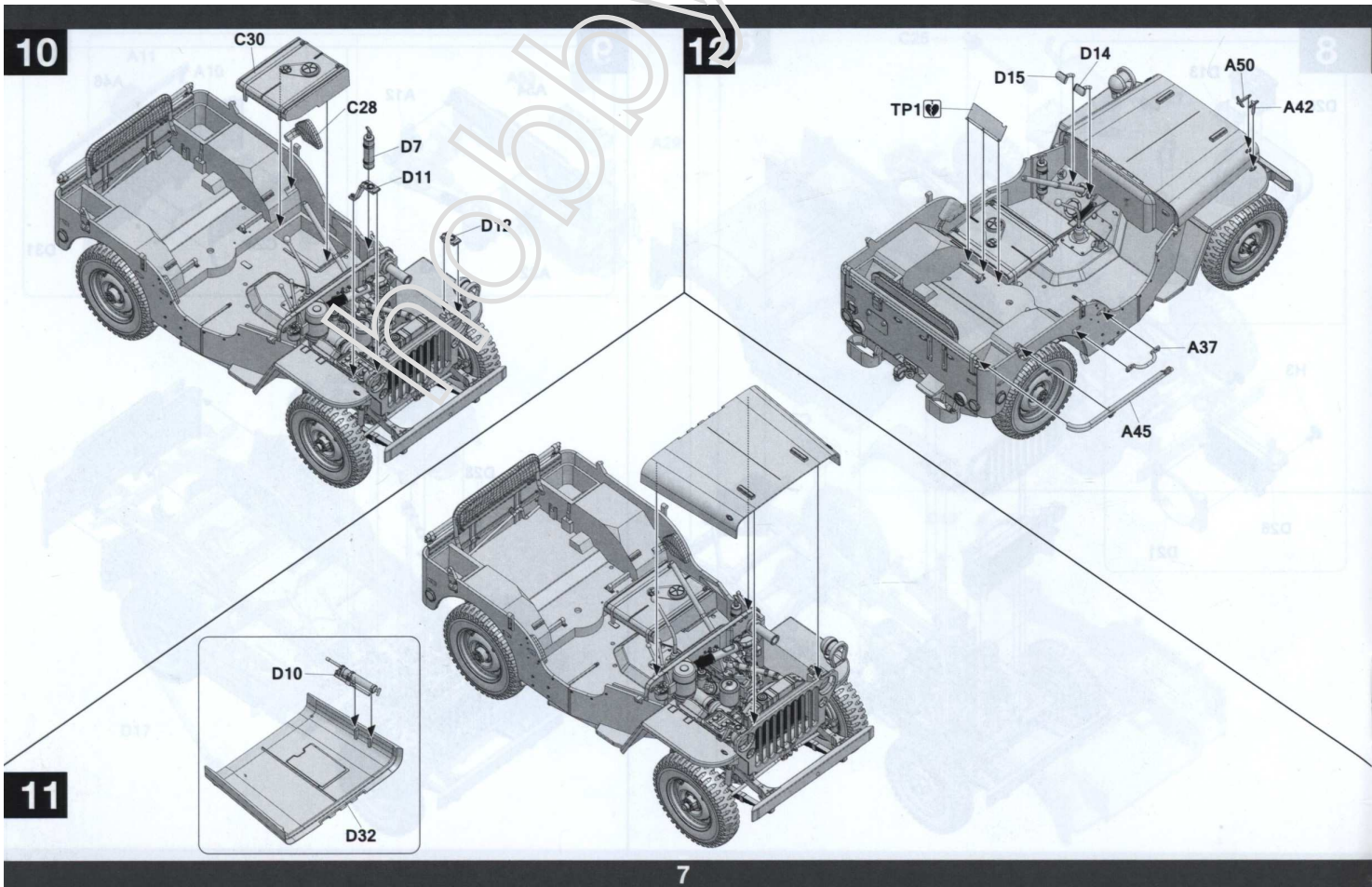
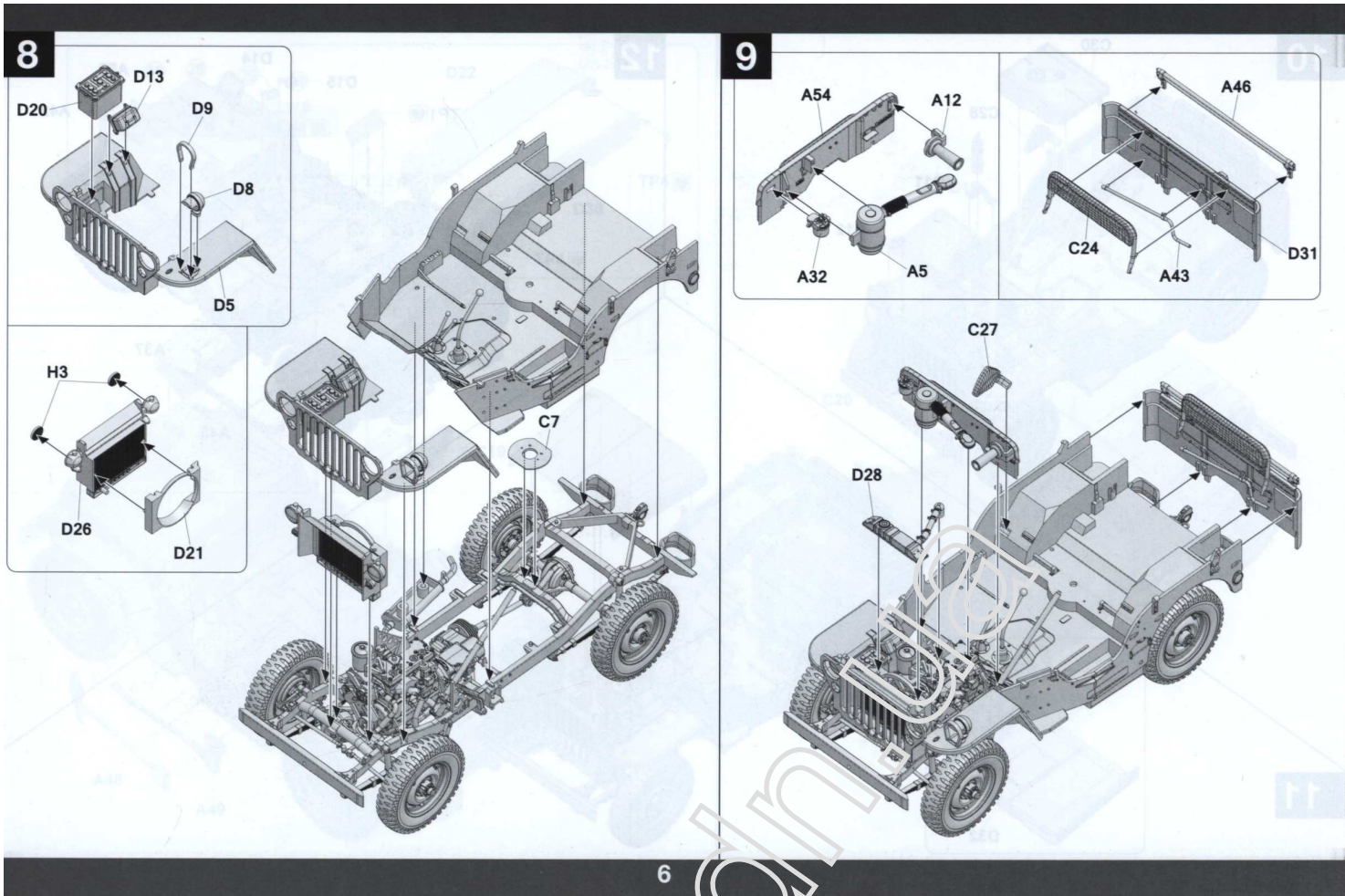


2

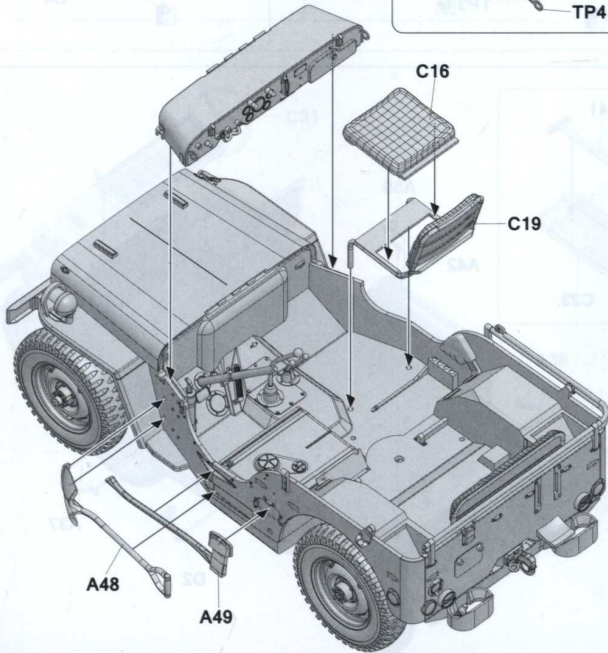
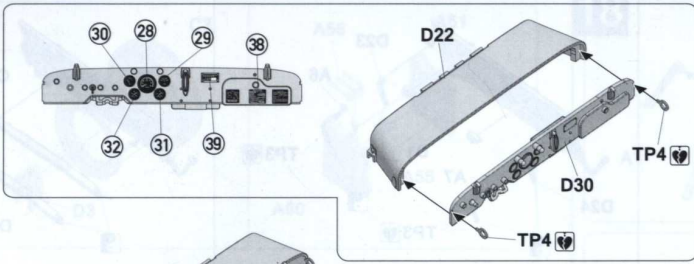


3

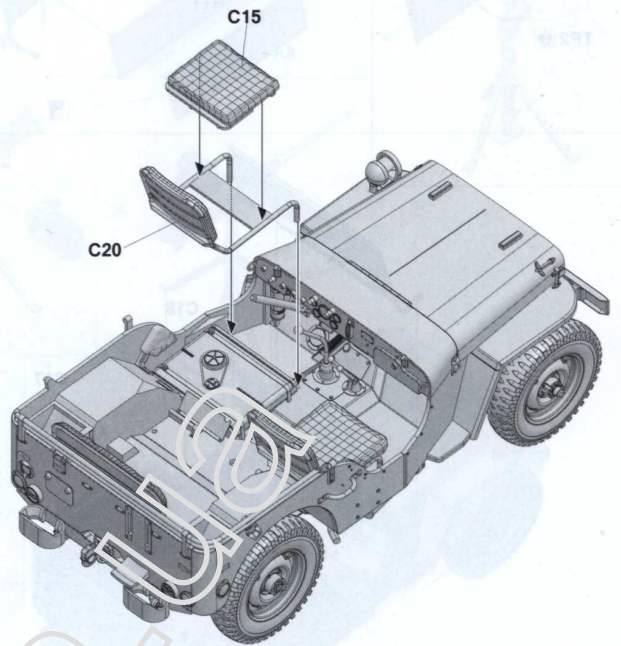




13

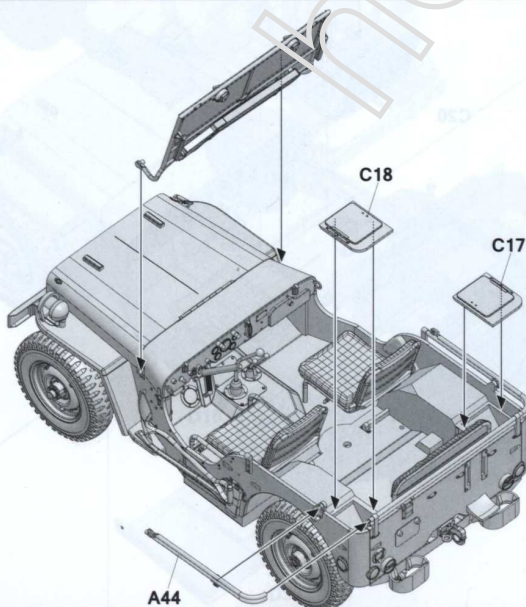
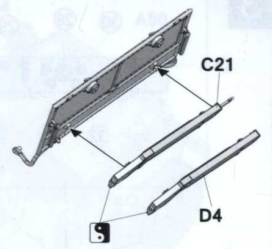
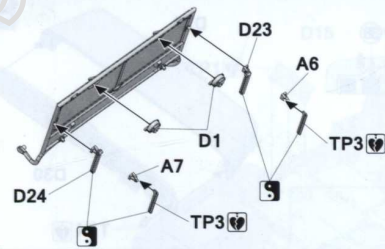
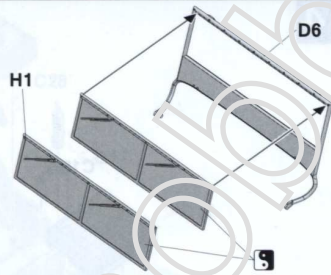
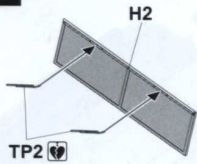


14

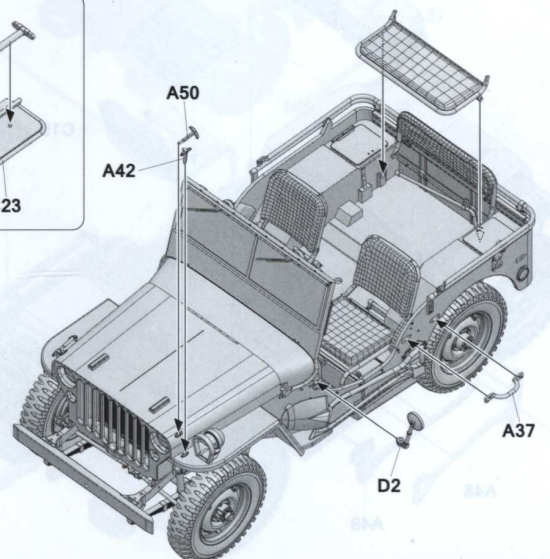


8

15

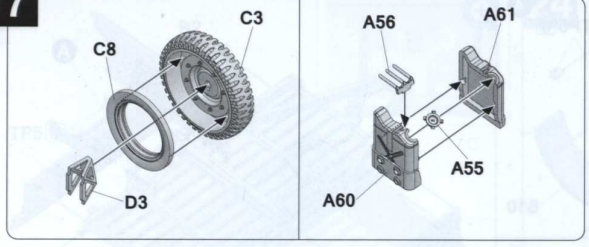


16

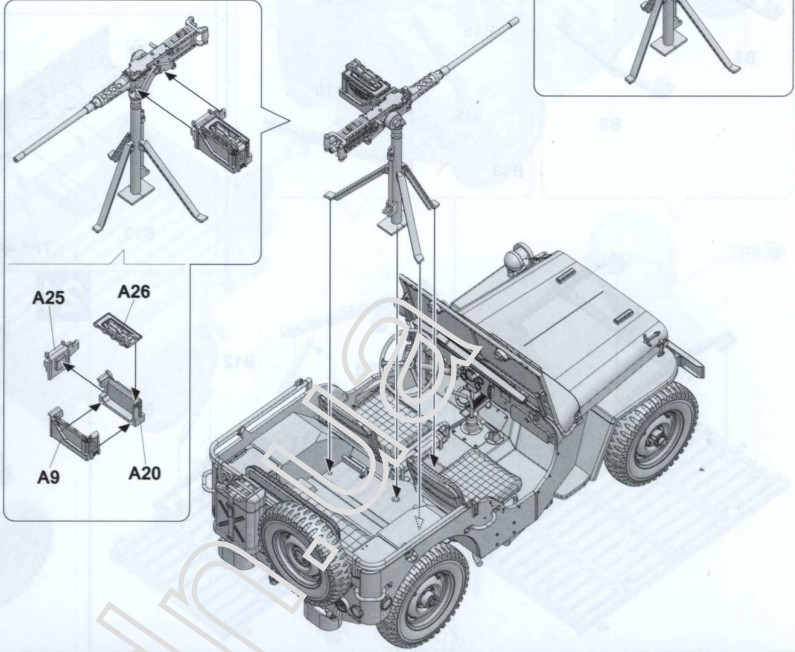
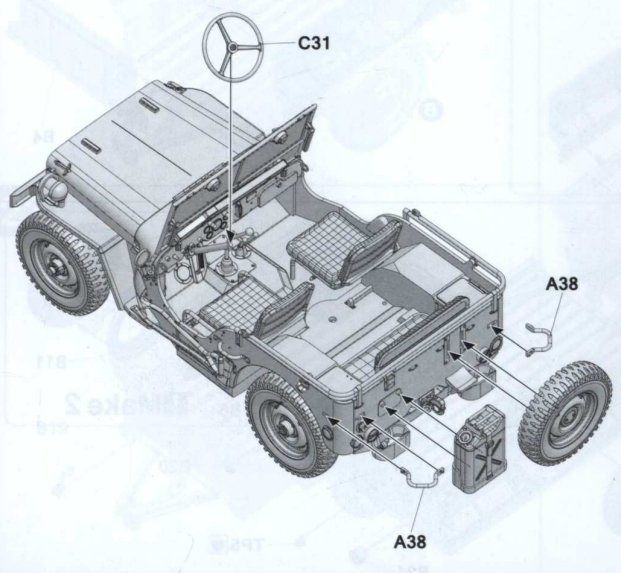
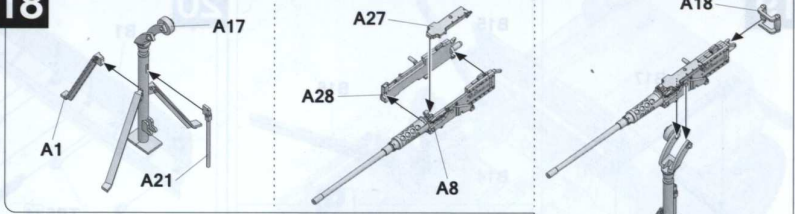


9

17

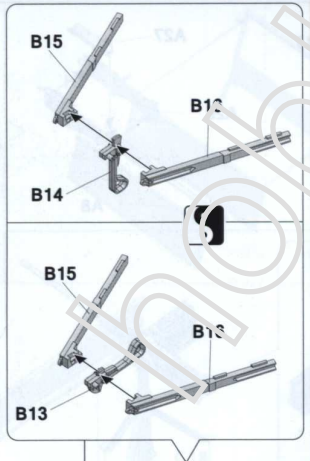
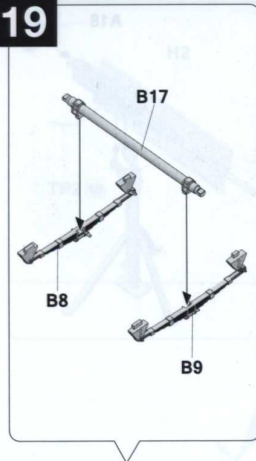


18

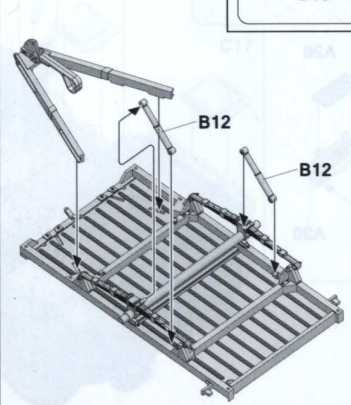
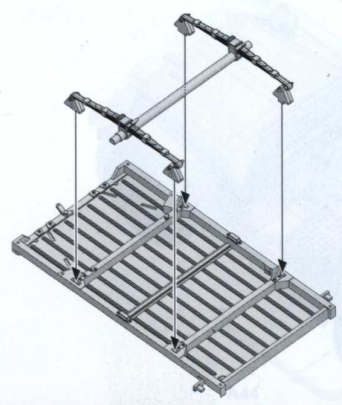
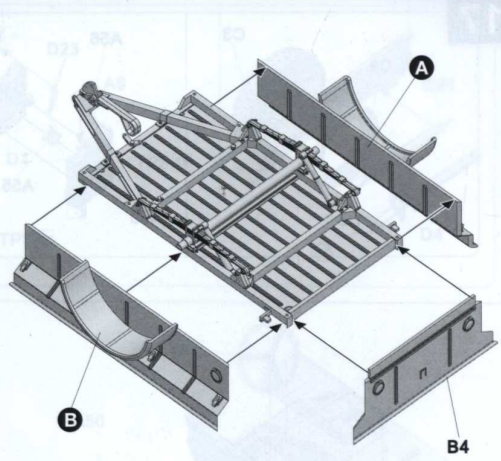
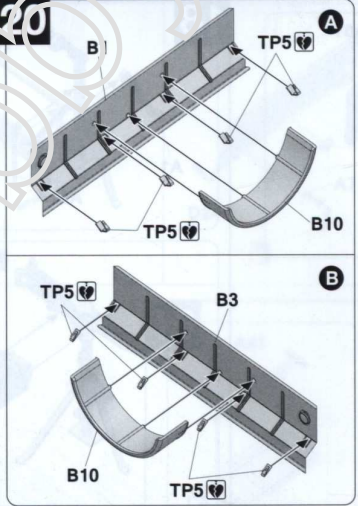


10

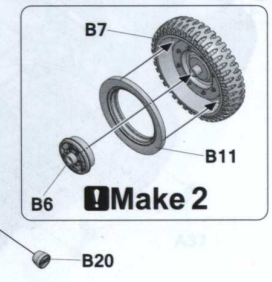
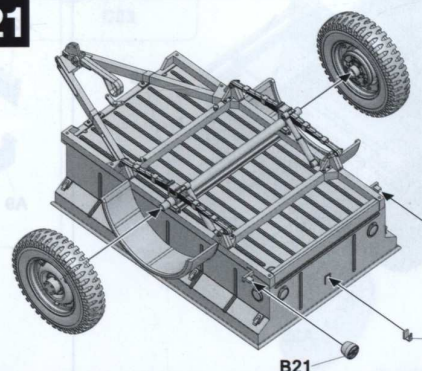
19



20

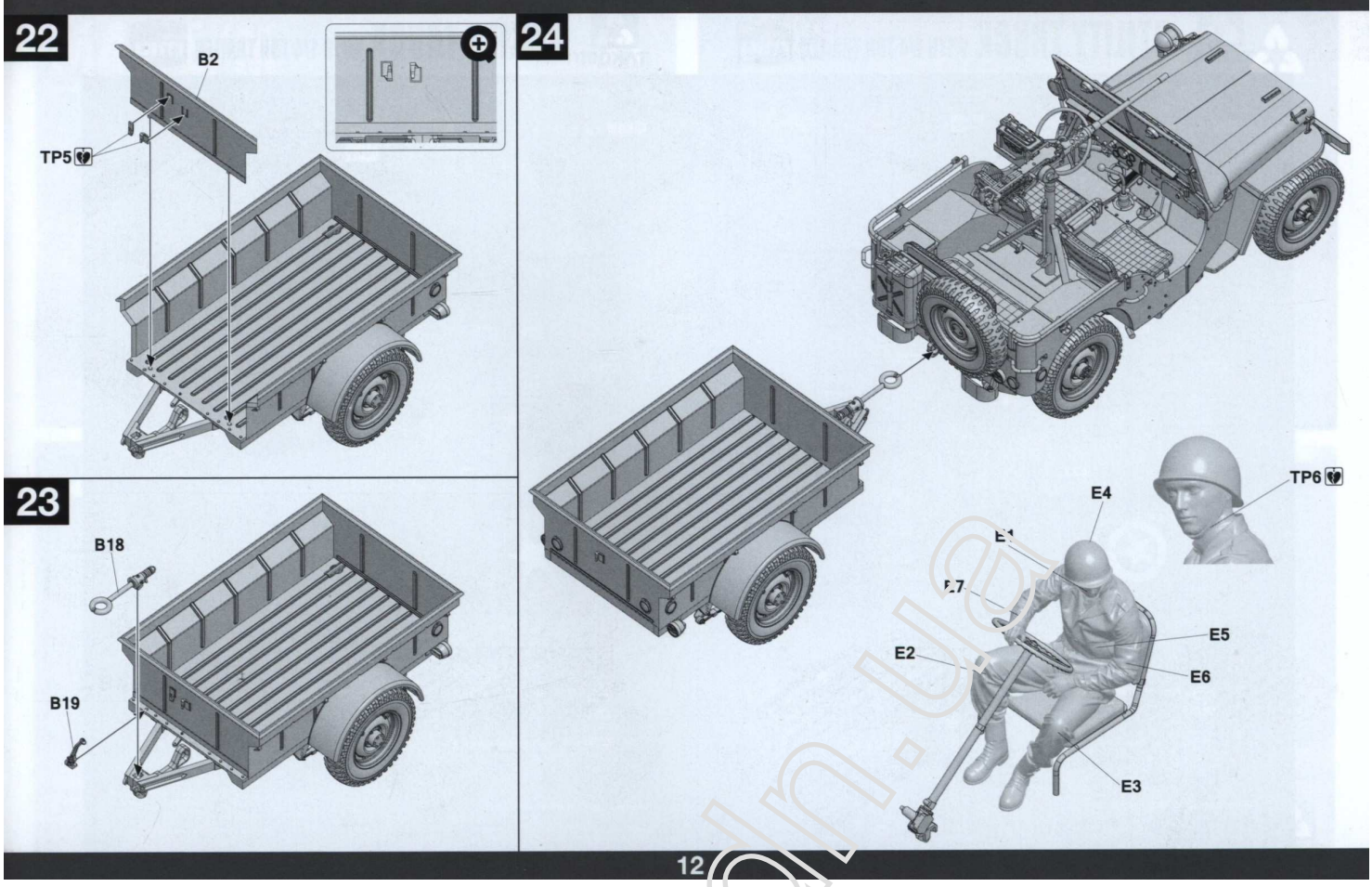


21



Make 2

11



03.03.2126  
**TAKOM** **UTILITY TRUCK WITH 1/4 TON TRAILER** **mig**  
 www.migimenez.com

Painting and Marking Guide  
**TAKOM** Ref: 2126  
 803rd Military Police Company,  
 Vehicle 4, Czechoslovakia, May 1945

AMG-0033 Rubber & Tire  
 AMG-0034 Green Wash  
 AMG-0032 Sand Wash  
 AMG-0193 Olive  
 AMG-0094 Olive Green  
 AMG-0095 Olive Green  
 AMG-0756 Olive Drab Base

AMG-0033 Rubber & Tire  
 AMG-0034 Green Wash  
 AMG-0032 Sand Wash  
 AMG-0193 Olive  
 AMG-0094 Olive Green  
 AMG-0095 Olive Green  
 AMG-0756 Olive Drab Base  
 AMG-0047 Flat White

WEATHERING STEPS WITH AMMO PRODUCTS

- GENERAL WASH**  
 A.MIG-1000 Dark Brown Wash for Green
- UNDERWASH**  
 A.MIG-1200 Striking Green
- UNDERWASH**  
 A.MIG-1206 Striking/Weathered Dust
- WASH**  
 A.MIG-1704 Heavy Earth
- WHEELS WASH**  
 A.MIG-1400 Camp Earth
- WASH**  
 A.MIG-3004 Europe Earth
- SPRAYS**  
 A.MIG-1703 Turned Dirt
- GENERAL WASH**  
 A.MIG-1000 Dark Brown Wash for Green
- STRIPING**  
 A.MIG-1202 Striking/Weathered Flat Green
- UNDERWASH**  
 A.MIG-1204 Network Effects
- WASH**  
 A.MIG-2013 Rubble
- WASH**  
 A.MIG-1703 Heavy Ground
- SPRAYS**  
 A.MIG-1702 Loose Ground

03.03.2126  
**TAKOM** **UTILITY TRUCK WITH 1/4 TON TRAILER** **mig**  
 www.migimenez.com

Painting and Marking Guide  
**TAKOM** Ref: 2126  
 759th Military Police Battalion,  
 HQ Vehicle 5, Berlin, Germany, June 1945

AMG-0033 Rubber & Tire  
 AMG-0034 Green Wash  
 AMG-0032 Sand Wash  
 AMG-0193 Olive  
 AMG-0094 Olive Green  
 AMG-0095 Olive Green  
 AMG-0756 Olive Drab Base  
 AMG-0047 Flat White

AMG-0033 Rubber & Tire  
 AMG-0034 Green Wash  
 AMG-0032 Sand Wash  
 AMG-0193 Olive  
 AMG-0094 Olive Green  
 AMG-0095 Olive Green  
 AMG-0756 Olive Drab Base  
 AMG-0047 Flat White

WEATHERING STEPS WITH AMMO PRODUCTS

- GENERAL WASH**  
 A.MIG-1000 Dark Brown Wash for Green
- UNDERWASH**  
 A.MIG-1200 Striking Green
- UNDERWASH**  
 A.MIG-1206 Striking/Weathered Flat Green
- WASH**  
 A.MIG-1704 Heavy Ground
- WHEELS WASH**  
 A.MIG-1400 Camp Earth
- WASH**  
 A.MIG-3004 Europe Earth
- SPRAYS**  
 A.MIG-1703 Turned Dirt
- GENERAL WASH**  
 A.MIG-1000 Dark Brown Wash for Green
- STRIPING**  
 A.MIG-1202 Striking/Weathered Flat Green
- UNDERWASH**  
 A.MIG-1204 Network Effects
- WASH**  
 A.MIG-2013 Rubble
- WASH**  
 A.MIG-1703 Heavy Ground
- SPRAYS**  
 A.MIG-1702 Loose Ground

03.03.2126



# UTILITY TRUCK WITH 1/4 TON TRAILER

www.migimenez.com

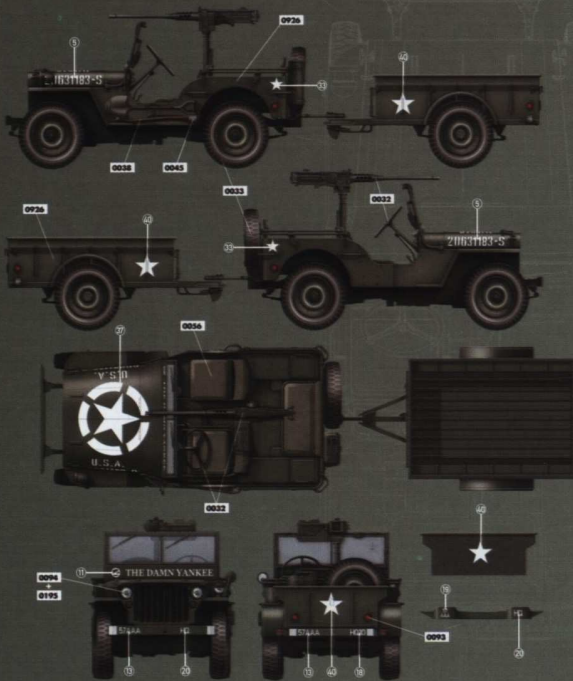


## Painting and Marking Guide

TAKOM Ref: 2126

557th Anti-Aircraft Artillery (Automatic Weapons) Battalion, Germany, May 1945

A.MIG-0023 Rubber & Tire	A.MIG-0036 Green Wash	A.MIG-0033 Sable Wash	A.MIG-0043 Gun Wash
A.MIG-0193 Silver	A.MIG-0094 Crystal Glass	A.MIG-0092 Crystal Red	A.MIG-0038 Light Wash
A.MIG-0926 Olive Drab Base			



### WEATHERING STEPS WITH AMMO PRODUCTS

- 1. **WEATHERING WASH**  
A.MIG-1000 Dark Brown Wash for Oils
- 2. **STRETCHING**  
A.MIG-1208 Dark Stretching Glaze
- 3. **WEATHERING WASH**  
A.MIG-1000 Klear Wash
- 4. **WEATHERING WASH**  
A.MIG-1000 Klear Wash
- 5. **WASH**  
A.MIG-1001 Antiseal Wash
- 6. **WASH**  
A.MIG-1001 Antiseal Wash
- 7. **WASH**  
A.MIG-1001 Antiseal Wash
- 8. **WASH**  
A.MIG-1001 Antiseal Wash
- 9. **WASH**  
A.MIG-1001 Antiseal Wash
- 10. **WASH**  
A.MIG-1001 Antiseal Wash
- 11. **WASH**  
A.MIG-1001 Antiseal Wash
- 12. **WASH**  
A.MIG-1001 Antiseal Wash
- 13. **WASH**  
A.MIG-1001 Antiseal Wash
- 14. **WASH**  
A.MIG-1001 Antiseal Wash
- 15. **WASH**  
A.MIG-1001 Antiseal Wash
- 16. **WASH**  
A.MIG-1001 Antiseal Wash
- 17. **WASH**  
A.MIG-1001 Antiseal Wash
- 18. **WASH**  
A.MIG-1001 Antiseal Wash
- 19. **WASH**  
A.MIG-1001 Antiseal Wash
- 20. **WASH**  
A.MIG-1001 Antiseal Wash

03.03.2126



# UTILITY TRUCK WITH 1/4 TON TRAILER

www.migimenez.com

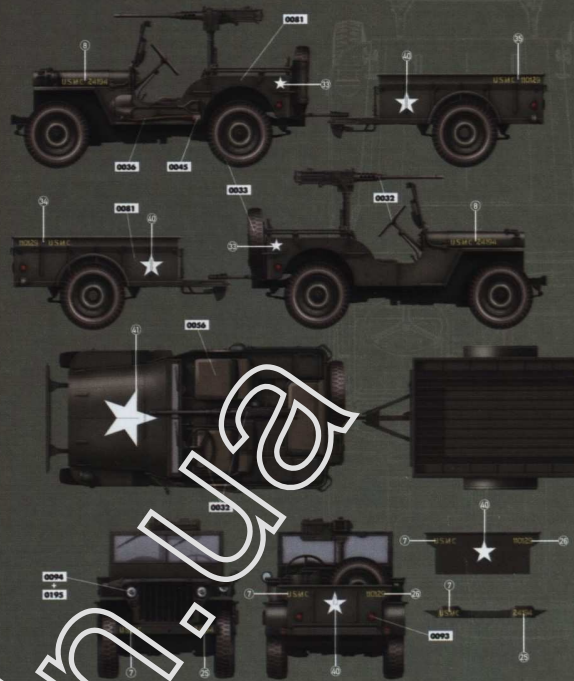


## Painting and Marking Guide

TAKOM Ref: 2126

U.S.M.C. 24194, Chosin Reservoir, Korea 1950

A.MIG-0023 Rubber & Tire	A.MIG-0036 Green Wash	A.MIG-0033 Sable Wash	A.MIG-0043 Gun Wash
A.MIG-0193 Silver	A.MIG-0094 Crystal Glass	A.MIG-0092 Crystal Red	A.MIG-0038 Light Wash
A.MIG-0081 US Olive Drab			



### WEATHERING STEPS WITH AMMO PRODUCTS

- 1. **WEATHERING WASH**  
A.MIG-1000 Dark Brown Wash for Oils
- 2. **STRETCHING**  
A.MIG-1208 Dark Stretching Glaze
- 3. **WEATHERING WASH**  
A.MIG-1000 Klear Wash
- 4. **WEATHERING WASH**  
A.MIG-1000 Klear Wash
- 5. **WASH**  
A.MIG-1001 Antiseal Wash
- 6. **WASH**  
A.MIG-1001 Antiseal Wash
- 7. **WASH**  
A.MIG-1001 Antiseal Wash
- 8. **WASH**  
A.MIG-1001 Antiseal Wash
- 9. **WASH**  
A.MIG-1001 Antiseal Wash
- 10. **WASH**  
A.MIG-1001 Antiseal Wash
- 11. **WASH**  
A.MIG-1001 Antiseal Wash
- 12. **WASH**  
A.MIG-1001 Antiseal Wash
- 13. **WASH**  
A.MIG-1001 Antiseal Wash
- 14. **WASH**  
A.MIG-1001 Antiseal Wash
- 15. **WASH**  
A.MIG-1001 Antiseal Wash
- 16. **WASH**  
A.MIG-1001 Antiseal Wash
- 17. **WASH**  
A.MIG-1001 Antiseal Wash
- 18. **WASH**  
A.MIG-1001 Antiseal Wash
- 19. **WASH**  
A.MIG-1001 Antiseal Wash
- 20. **WASH**  
A.MIG-1001 Antiseal Wash

03.03.2126



# U.S. ARMY INFANTRYMAN WWII

www.migimenez.com



## Painting and Marking Guide

TAKOM Ref: 2126

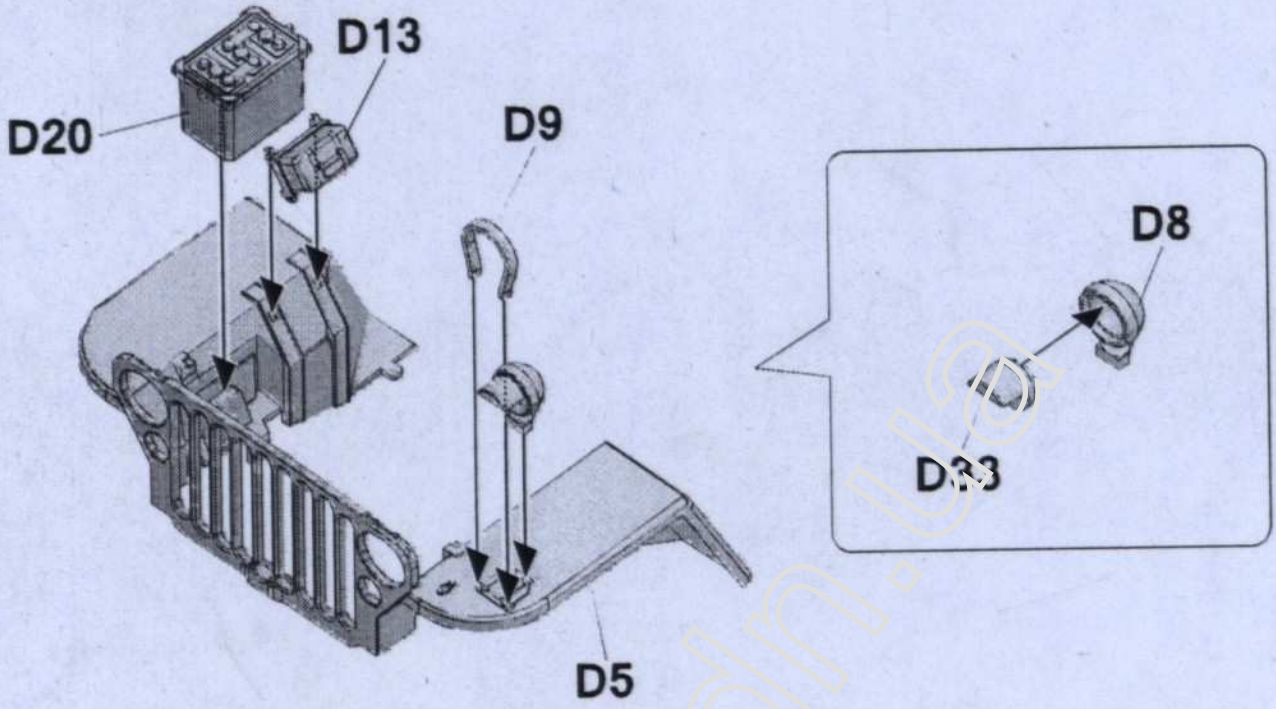
A.MIG-7100 Brown Base	A.MIG-7101 Olive Drab Base	A.MIG-7102 Olive Drab Wash	A.MIG-7103 Olive Drab Wash
A.MIG-7104 Light Skin Tone	A.MIG-7105 Dark Skin Tone	A.MIG-7106 Olive Drab Wash	A.MIG-7107 Olive Drab Wash
A.MIG-7108 Olive Drab Wash	A.MIG-7109 Olive Drab Wash	A.MIG-7110 Olive Drab Wash	A.MIG-7111 Olive Drab Wash





8

#2126



hobby.on