

RUSSIAN ARMY TRACTORS SET

KZKT-537L 1+1 MAZ-537



03.02.5003

READ BEFORE ASSEMBLY

CAUTION

- Read carefully and fully understand the instructions before commencing assembly. A supervising adult should also read the instructions if a child assembles the model.
- When assembling this kit, tools including knives used. Extra care should be taken to avoid personal injury.
- Keep out of reach of small children. Children must not be allowed to suck any part, or pull vinyl bag over their heads.



Instant Glue
for Metal

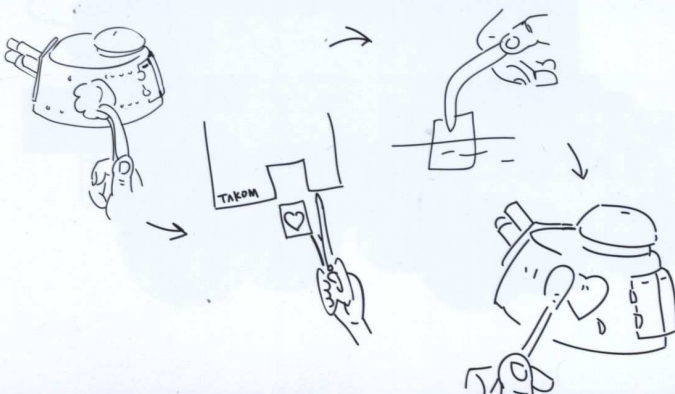
PAINTS REQUIRED

Color info and profiles by Mig Jimenez

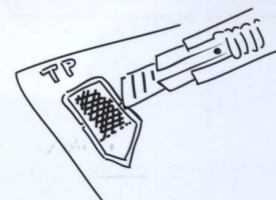
A.MIG 032	Satin Black	A.MIG 033	Rubber & Tires	A.MIG 046	Matt Black	A.MIG 049	Red
A.MIG 093	Crystal Red	A.MIG 094	Crystal Gloss	A.MIG 097	Crystal Orange	A.MIG 195	Silver
A.MIG 096	Green Khaki	A.MIG 210	Blue gray AMT-11	A.MIG 932	Russian Base	A.MIG 053	Protective MC 1200
A.MIG 057	Yellow Grey	A.MIG 058	Light Green Khaki	A.MIG 083	Zashchitniy Zeleno	A.MIG 055	Oil Ochre

APPLYING DECALS

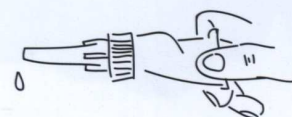
1. Clean the model surface with a wet cloth.
2. Cut out each decal design from sheet, and dip it in tepid water for 15-20 sec.
3. Hold the backing sheet edge and slide decal onto the model.
4. Move decal into position by wetting decal with finger.
5. Press decal gently down with a soft cloth until excess water and air bubbles are gone.



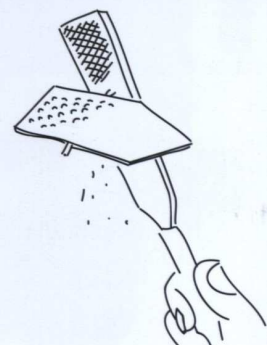
REMOVING PE



Be careful not to hurt when removing PE parts.

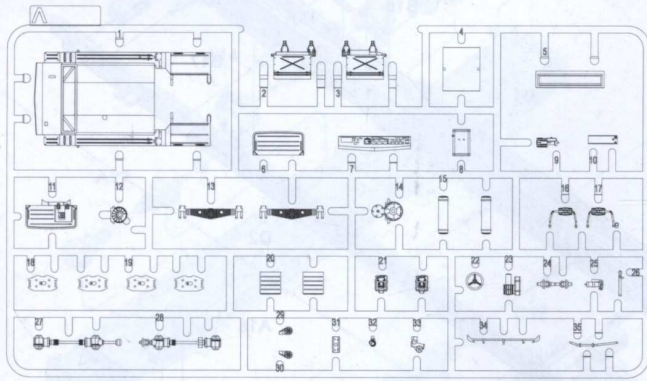


Secure using instant glue (not included).

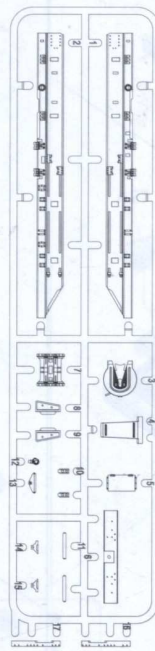
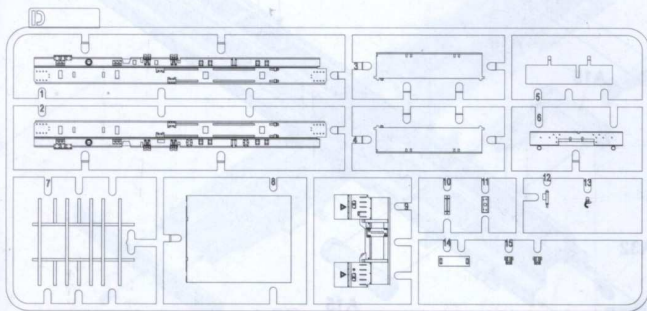


Finish using file.

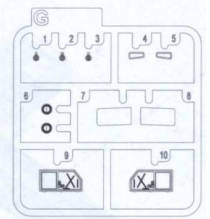
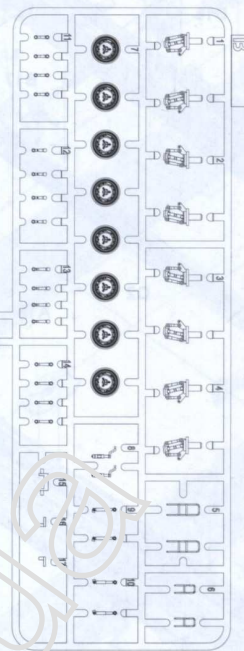
PARTS



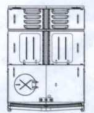
X2



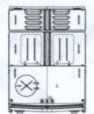
X2



X2



H



J



X16

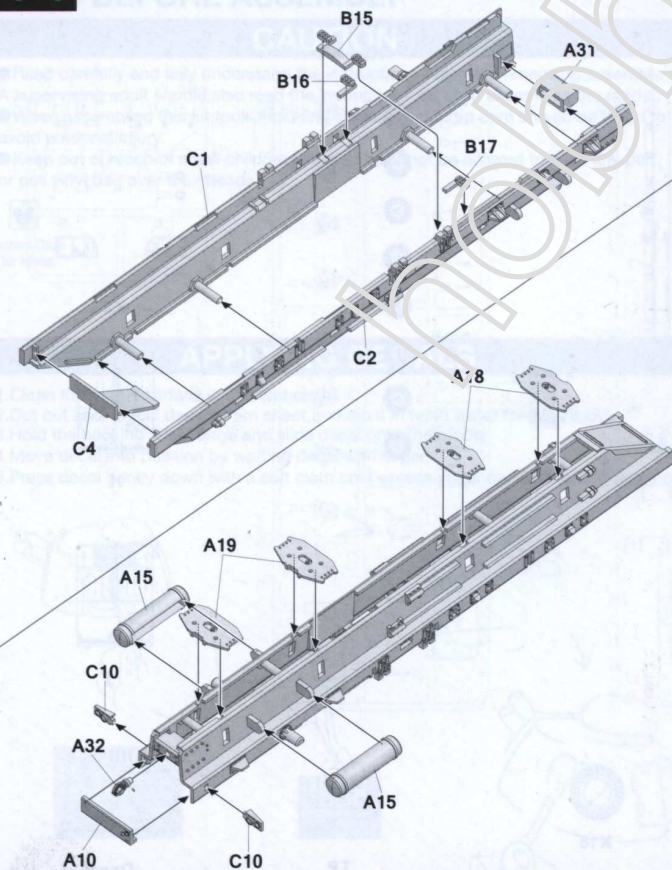


TP

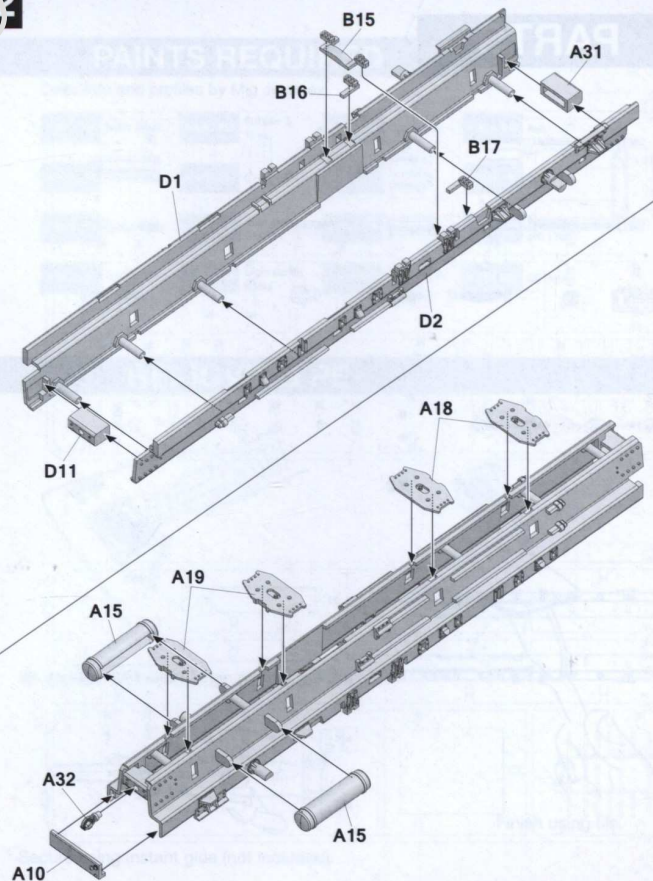


Decal

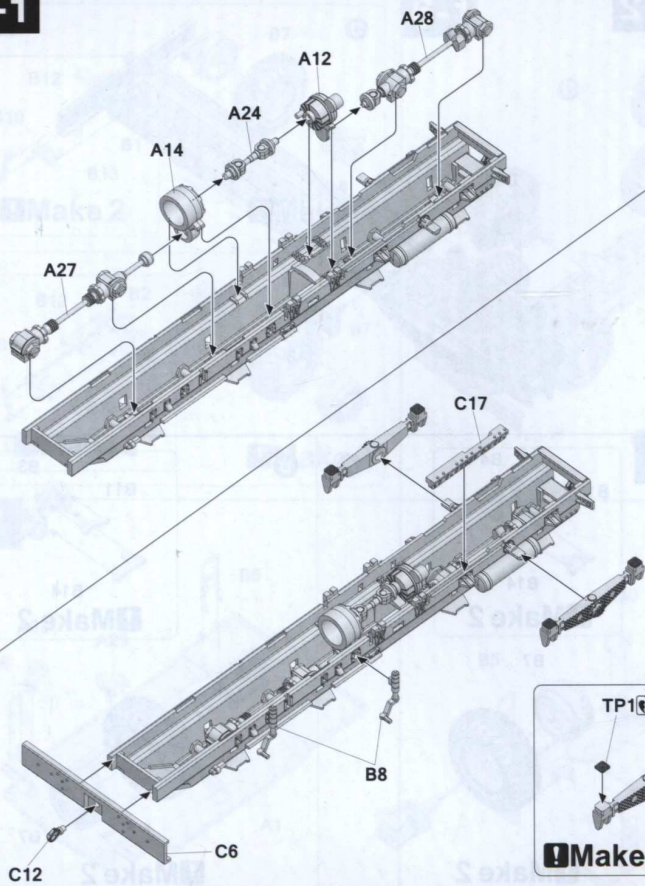
1-1



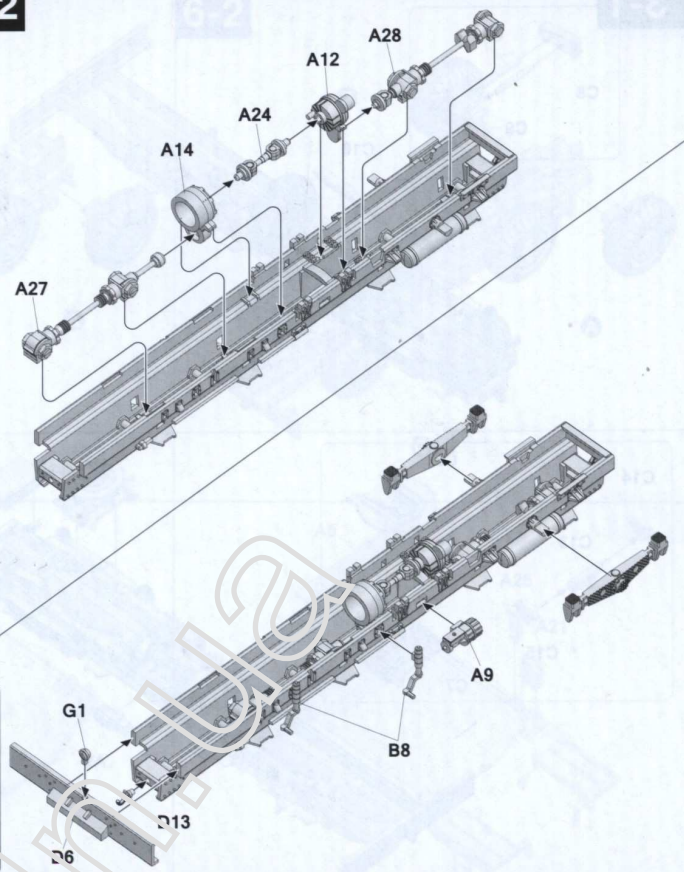
1-2



2-1

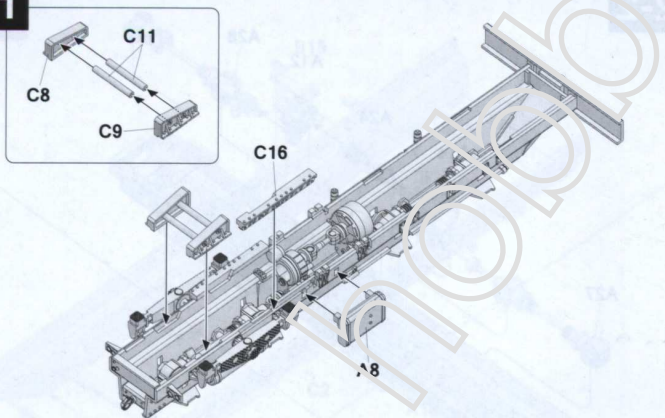


2-2

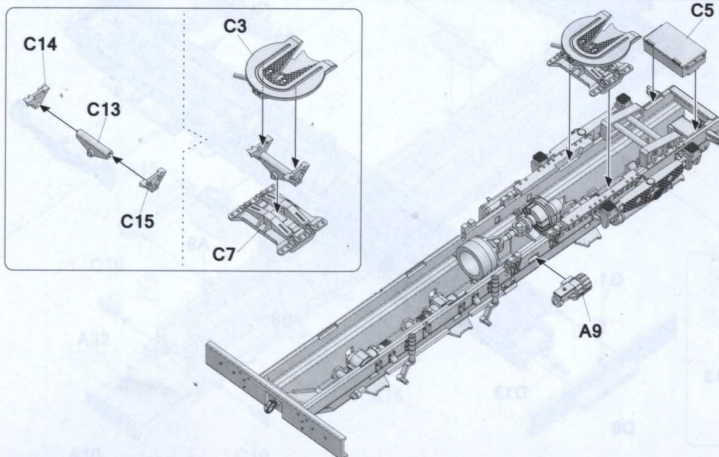
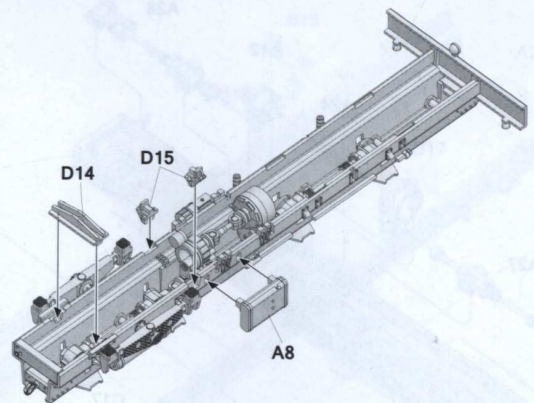


4

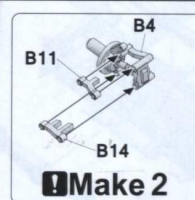
3-1



3-2



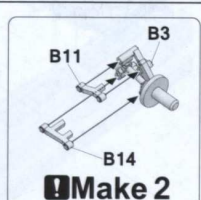
4



Make 2

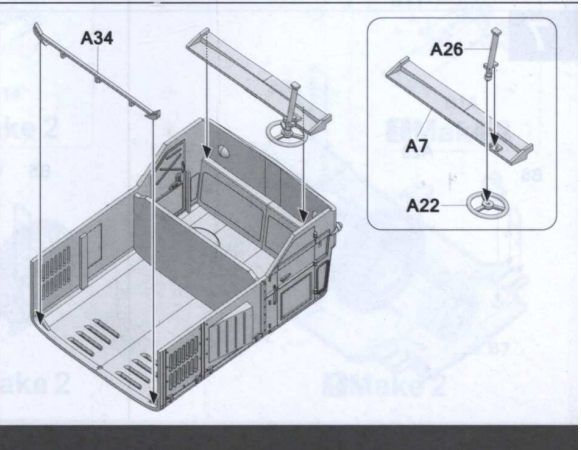
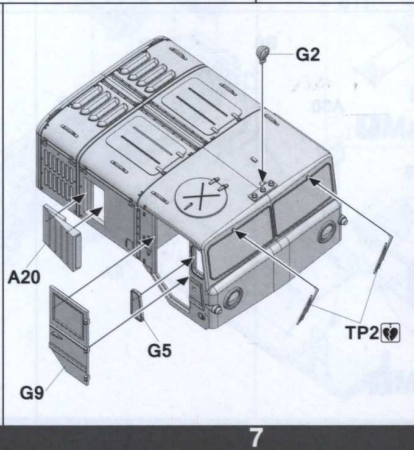
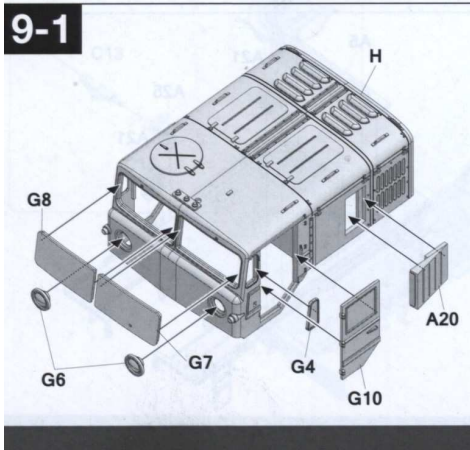
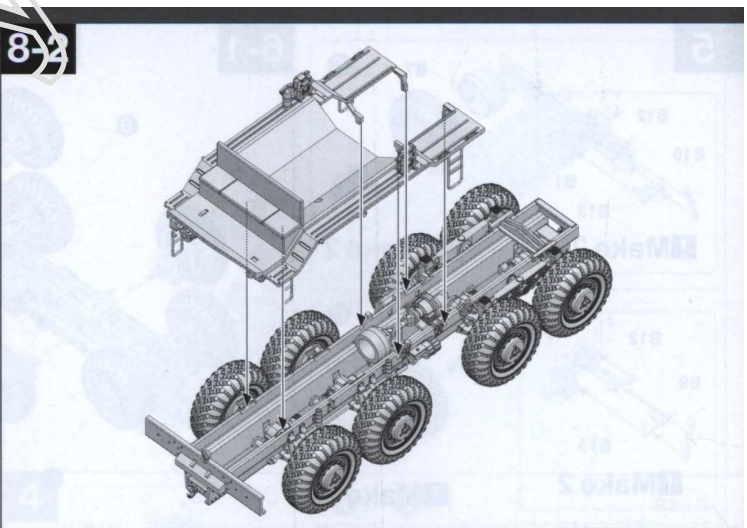
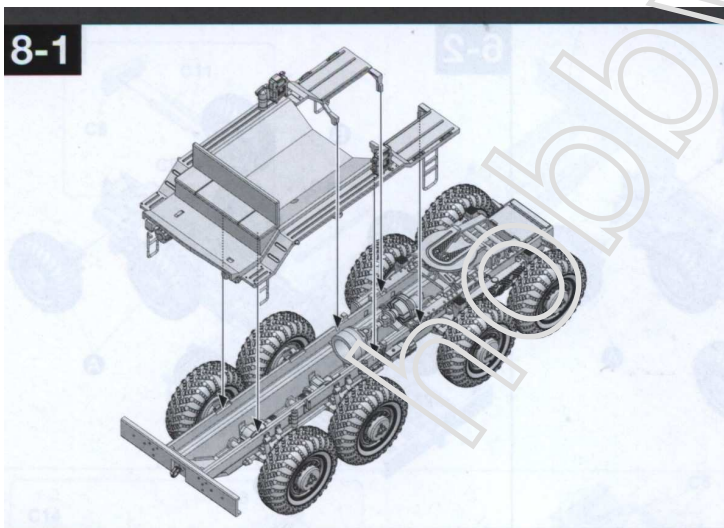
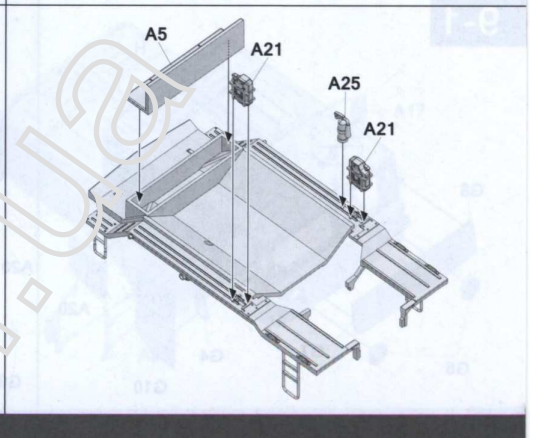
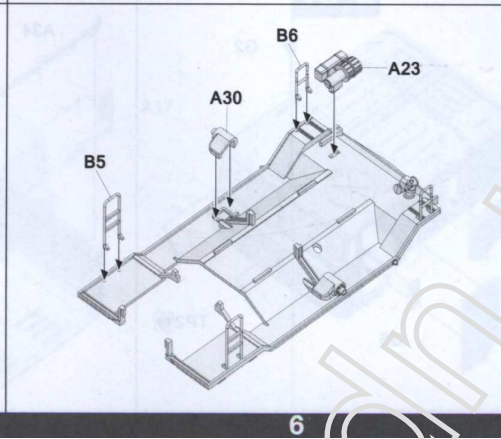
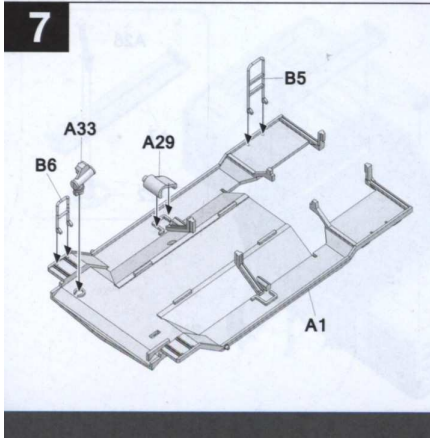
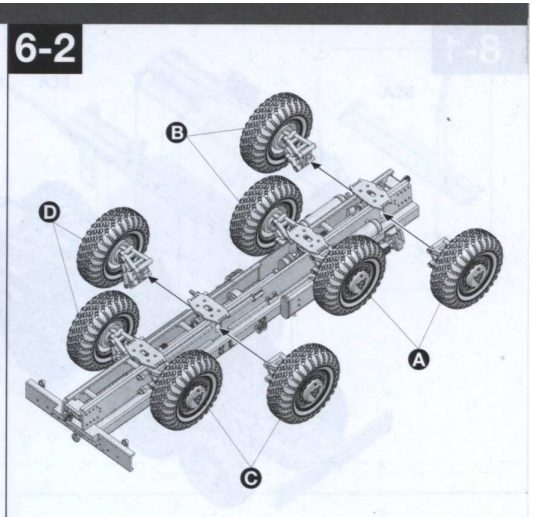
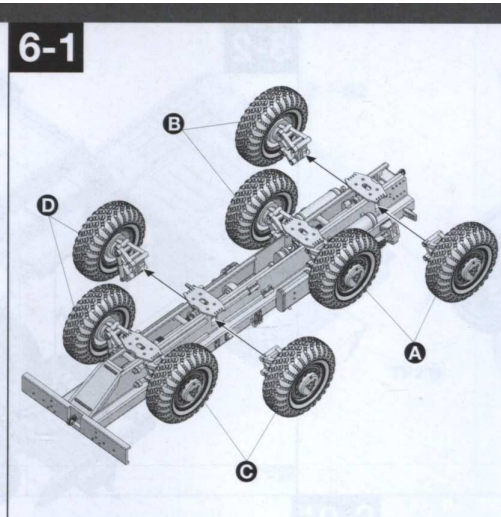
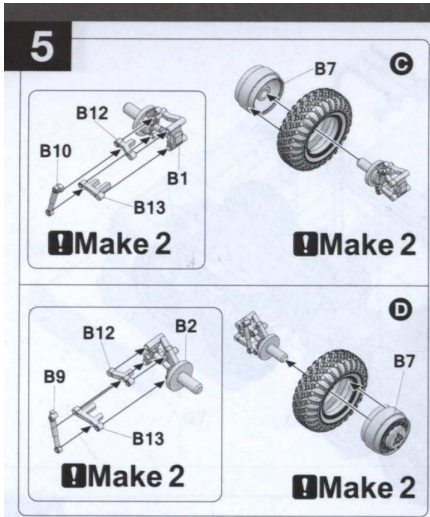
A

B

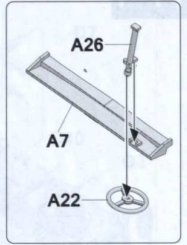
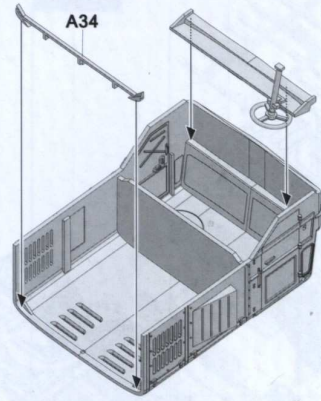
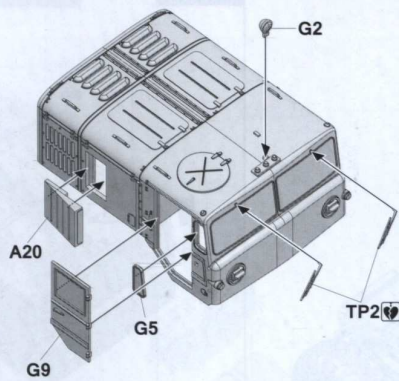
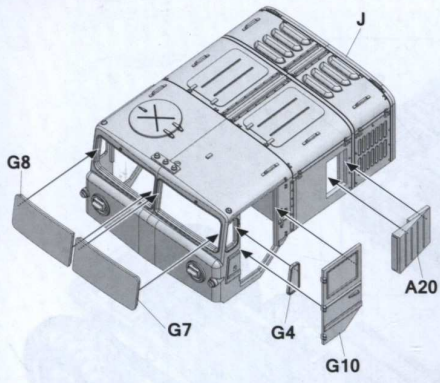


Make 2

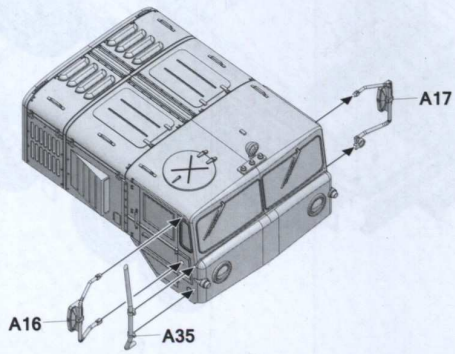
5



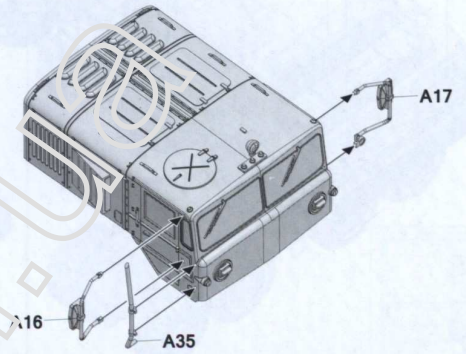
9-2



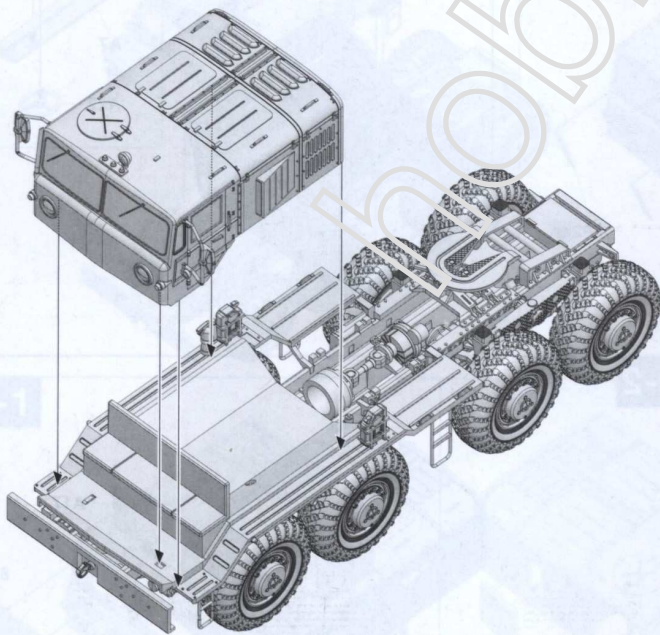
10-1



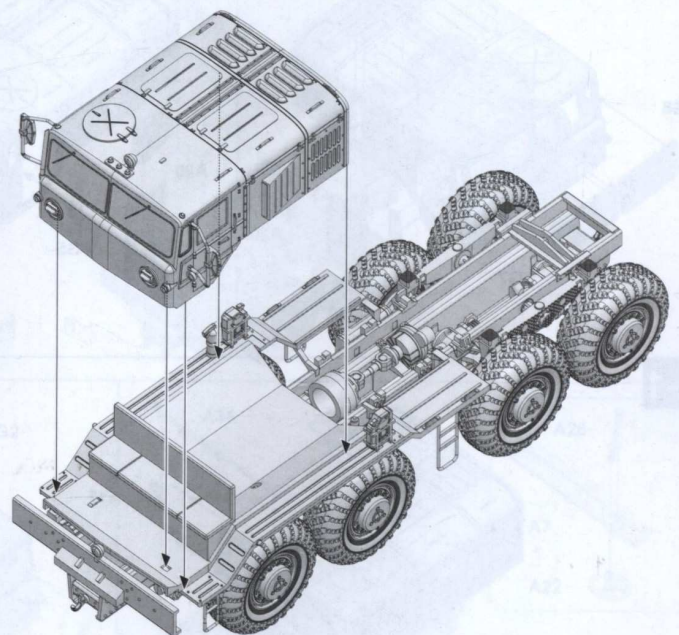
10-2



11-1



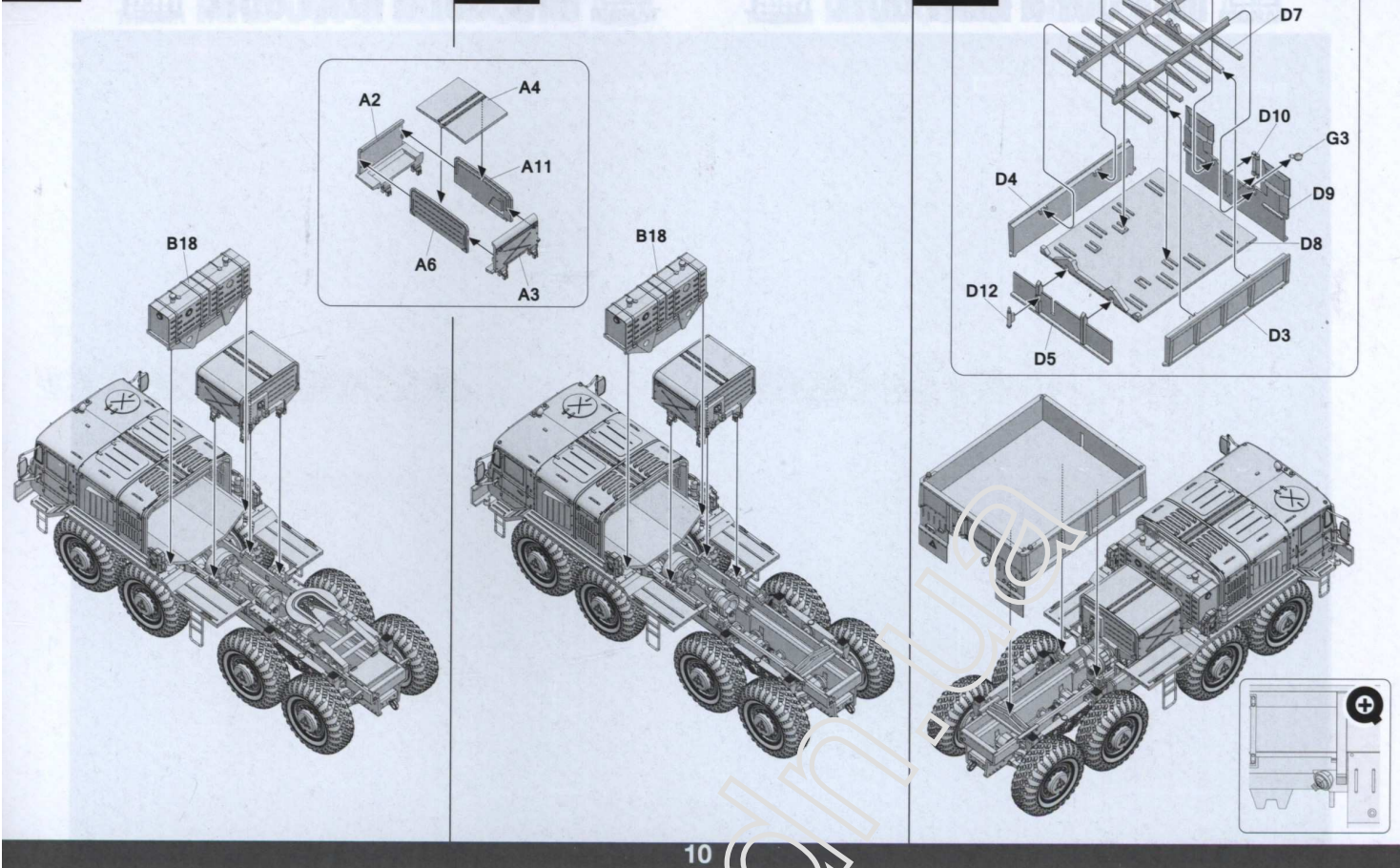
11-2



12-1

12-2

13-2



10

Painting and Marking Guide

TAKOM Ref: 5003
1/72 MAZ-537 & KZKT-537L (1 + 1)

A.MIG 032	Slate Black	A.MIG 033	Rubber & Tire	A.MIG 040	Matte Black	A.MIG 049	Red
A.MIG 093	Crystal Red	A.MIG 094	Crystal Glass	A.MIG 097	Crystal Orange	A.MIG 195	Silver
A.MIG 056	Green Khaki	A.MIG 310	Blue grey AMT-11	A.MIG 932	Russian Rose		

Painting and Marking Guide

TAKOM Ref: 5003
1/72 MAZ-537 & KZKT-537L (1 + 1)

A.MIG 032	Slate Black	A.MIG 033	Rubber & Tire	A.MIG 040	Matte Black	A.MIG 049	Red
A.MIG 093	Crystal Red	A.MIG 094	Crystal Glass	A.MIG 097	Crystal Orange	A.MIG 195	Silver
A.MIG 310	Blue grey AMT-11	A.MIG 932	Russian Rose				

WEATHERING STEPS WITH AMMO PRODUCTS

- INITIAL WASH**
A.MIG-1020 Dark Brown Wash for Green Vehicles
- STREAKING**
A.MIG-1202 Drizzling Grease
- TIRE WASH**
A.MIG-1443 Earth
- WASH MARKS**
A.MIG-1208 Petroleum Effects
- DIRT**
A.MIG-2019 Black Dirt
- WASH & SPLASHES**
A.MIG-1702 Rust Stains, A.MIG-1702 Lower Dust
- DIRT MARKS & GR**
A.MIG-1428 Fresh Engine Oil
- INITIAL WASH**
A.MIG-1020 Dark Brown Wash
- STREAKING**
A.MIG-1202 Drizzling Grease for Passenger Cars
- TIRE WASH**
A.MIG-1443 Earth
- WASH MARKS**
A.MIG-1208 Petroleum Effects
- DIRT**
A.MIG-2019 Black Dirt
- WASH & SPLASHES**
A.MIG-1702 Rust Stains, A.MIG-1702 Dry Stain
- DIRT MARKS & GR**
A.MIG-1428 Fresh Engine Oil

Painting and Marking Guide

TAKOM Ref: 5003
1/72 MAZ-537 & KZKT-537L (1 + 1)

AMIG 032 Side Black
AMIG 033 Rubber & Tires
AMIG 046 Jet Black
AMIG 049 Red
AMIG 093 Crystal Red
AMIG 094 Crystal Glass
AMIG 097 Crystal Orange
AMIG 195 Silver
AMIG 053 Protective MC 1200

WEATHERING STEPS WITH AMMO PRODUCTS

- INITIAL WASH**
A.MIG-1003 Dark Primer Wash for Green Vehicles
- PRIMER**
A.MIG-1005 Primer for Dark Green
- STREAKING**
A.MIG-1208 Dark Streaking Glaze
- PAINT MARKING**
A.MIG-1208 Pigmentary Effects
- TEXTURE WASH**
A.MIG-1400 Wash Glaze
- SHINE**
A.MIG-3004 Glossy Wash
- WASH & SEAL**
A.MIG-1408 Fresh Engine Oil
- STREAKING**
A.MIG-1207 Streaking Glaze for US Vehicle Wash
- PAINT MARKING**
A.MIG-1208 Pigmentary Effects
- WASH & SEAL**
A.MIG-1408 Fresh Engine Oil
- TEXTURE WASH**
A.MIG-1401 Light Glaze
- SHINE**
A.MIG-3010 White Wash Glaze
- WASH & SEAL**
A.MIG-1408 Fresh Engine Oil

Painting and Marking Guide

TAKOM Ref: 5003
1/72 MAZ-537 & KZKT-537L (1 + 1)

AMIG 032 Side Black
AMIG 033 Rubber & Tires
AMIG 049 Red
AMIG 093 Crystal Red
AMIG 094 Crystal Glass
AMIG 097 Crystal Orange
AMIG 195 Silver
AMIG 037 Yellow Grey
AMIG 058 Light Green Truck
AMIG 210 Blue grey AMT 11

WEATHERING STEPS WITH AMMO PRODUCTS

- INITIAL WASH**
A.MIG-1003 Dark Primer Wash for US Vehicle Wash
- PRIMER**
A.MIG-1005 Primer for Yellow Green
- STREAKING**
A.MIG-1207 Streaking Glaze for US Vehicle Wash
- PAINT MARKING**
A.MIG-1208 Pigmentary Effects
- TEXTURE WASH**
A.MIG-1401 Light Glaze
- SHINE**
A.MIG-3010 White Wash Glaze
- WASH & SEAL**
A.MIG-1408 Fresh Engine Oil
- STREAKING**
A.MIG-1207 Streaking Glaze for US Vehicle Wash
- PAINT MARKING**
A.MIG-1208 Pigmentary Effects
- WASH & SEAL**
A.MIG-1408 Fresh Engine Oil
- TEXTURE WASH**
A.MIG-1401 Light Glaze
- SHINE**
A.MIG-3010 White Wash Glaze
- WASH & SEAL**
A.MIG-1408 Fresh Engine Oil

03.03.5003
TAKOM **MAZ-537 & KZKT 537L** www.migimenez.com

Painting and Marking Guide

TAKOM Ref: 5003
1/72 MAZ-537 & KZKT-537L (1 + 1)

AMIG 032 Side Black
AMIG 033 Rubber & Tires
AMIG 049 Red
AMIG 093 Crystal Red
AMIG 094 Crystal Glass
AMIG 097 Crystal Orange
AMIG 195 Silver
AMIG 053 Protective MC 1200

WEATHERING STEPS WITH AMMO PRODUCTS

- INITIAL WASH**
A.MIG-1003 Dark Primer Wash for Green Vehicles
- PRIMER**
A.MIG-1005 Primer for Dark Green
- STREAKING**
A.MIG-1208 Dark Streaking Glaze
- PAINT MARKING**
A.MIG-1208 Pigmentary Effects
- TEXTURE WASH**
A.MIG-1400 Wash Glaze
- SHINE**
A.MIG-3004 Glossy Wash
- WASH & SEAL**
A.MIG-1408 Fresh Engine Oil
- STREAKING**
A.MIG-1207 Streaking Glaze for US Vehicle Wash
- PAINT MARKING**
A.MIG-1208 Pigmentary Effects
- WASH & SEAL**
A.MIG-1408 Fresh Engine Oil
- TEXTURE WASH**
A.MIG-1401 Light Glaze
- SHINE**
A.MIG-3010 White Wash Glaze
- WASH & SEAL**
A.MIG-1408 Fresh Engine Oil

03.03.5003
TAKOM **MAZ-537 & KZKT 537L** www.migimenez.com

Painting and Marking Guide

TAKOM Ref: 5003
1/72 MAZ-537 & KZKT-537L (1 + 1)

AMIG 032 Side Black
AMIG 033 Rubber & Tires
AMIG 049 Red
AMIG 093 Crystal Red
AMIG 094 Crystal Glass
AMIG 097 Crystal Orange
AMIG 195 Silver
AMIG 037 Yellow Grey
AMIG 058 Light Green Truck
AMIG 210 Blue grey AMT 11

WEATHERING STEPS WITH AMMO PRODUCTS

- INITIAL WASH**
A.MIG-1003 Dark Primer Wash for US Vehicle Wash
- PRIMER**
A.MIG-1005 Primer for Yellow Green
- STREAKING**
A.MIG-1207 Streaking Glaze for US Vehicle Wash
- PAINT MARKING**
A.MIG-1208 Pigmentary Effects
- TEXTURE WASH**
A.MIG-1401 Light Glaze
- SHINE**
A.MIG-3010 White Wash Glaze
- WASH & SEAL**
A.MIG-1408 Fresh Engine Oil
- STREAKING**
A.MIG-1207 Streaking Glaze for US Vehicle Wash
- PAINT MARKING**
A.MIG-1208 Pigmentary Effects
- WASH & SEAL**
A.MIG-1408 Fresh Engine Oil
- TEXTURE WASH**
A.MIG-1401 Light Glaze
- SHINE**
A.MIG-3010 White Wash Glaze
- WASH & SEAL**
A.MIG-1408 Fresh Engine Oil