

KRUPP RAUMER + Vs.Kfz.617

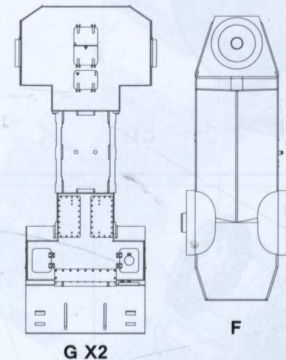
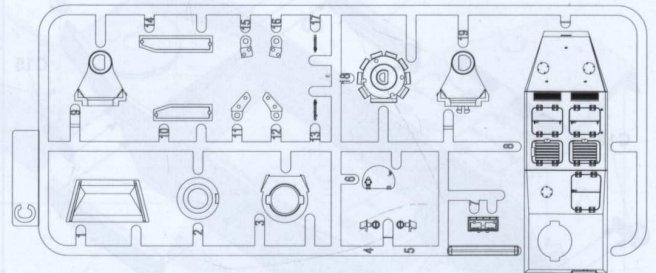
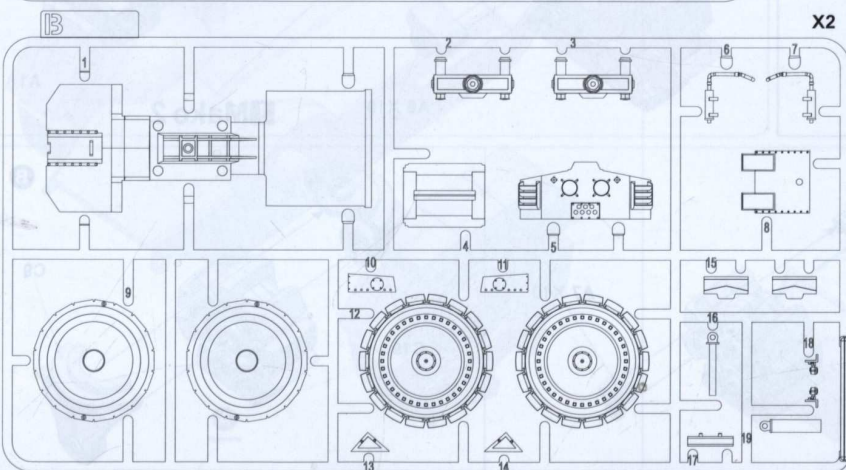
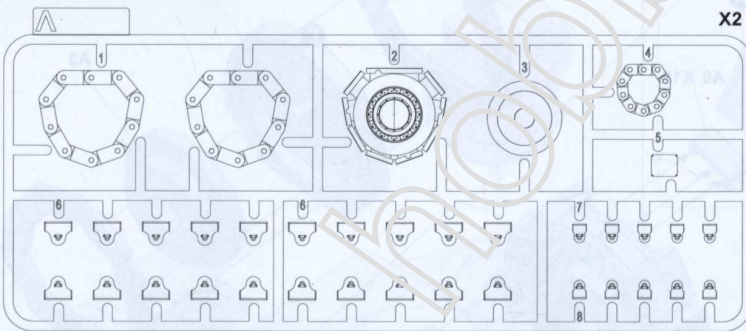
1+1

1/72
No.5007



03.02.5007

PARTS

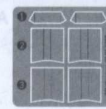


G X2

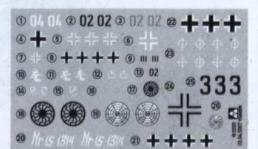
F



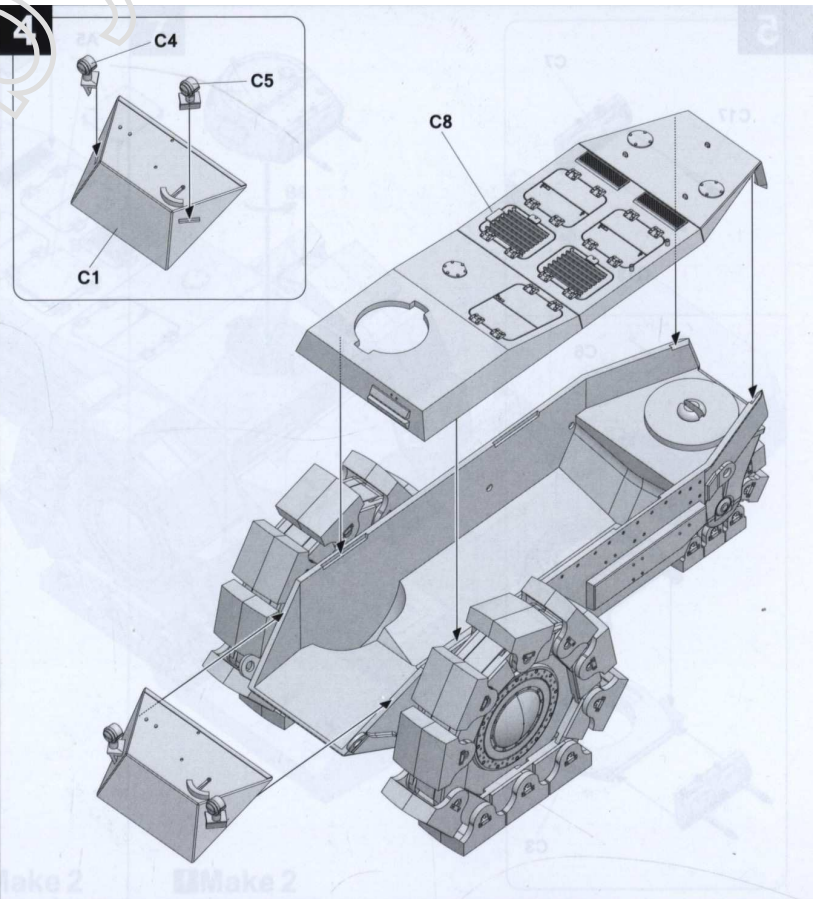
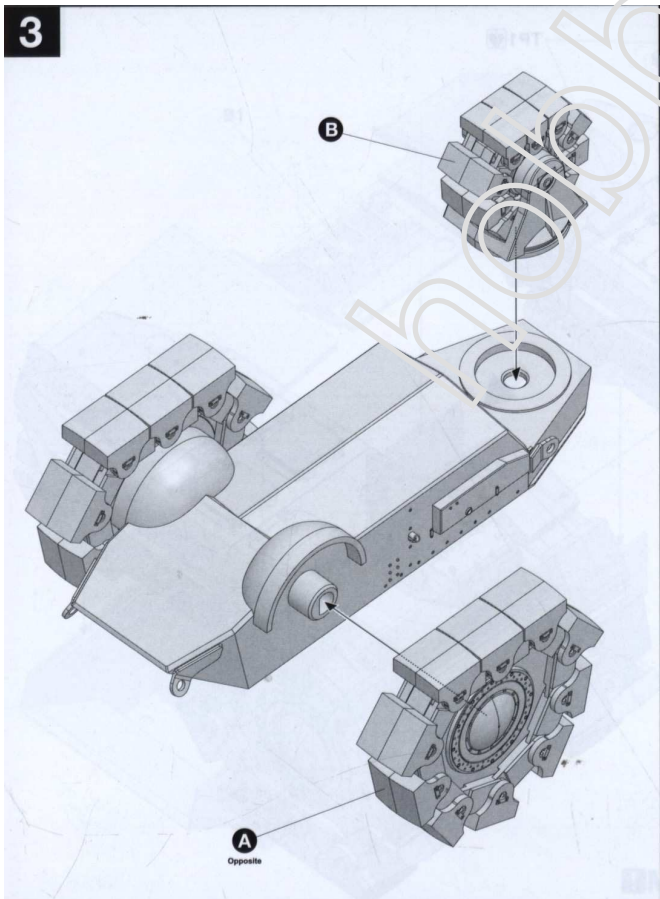
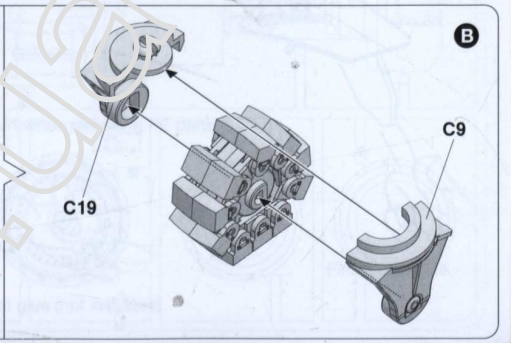
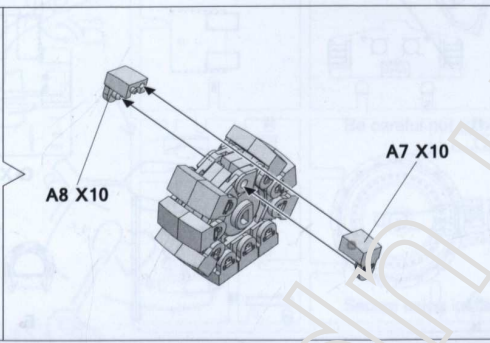
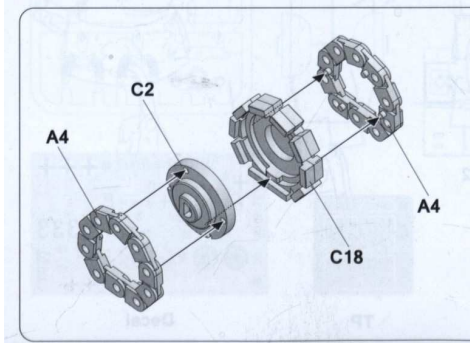
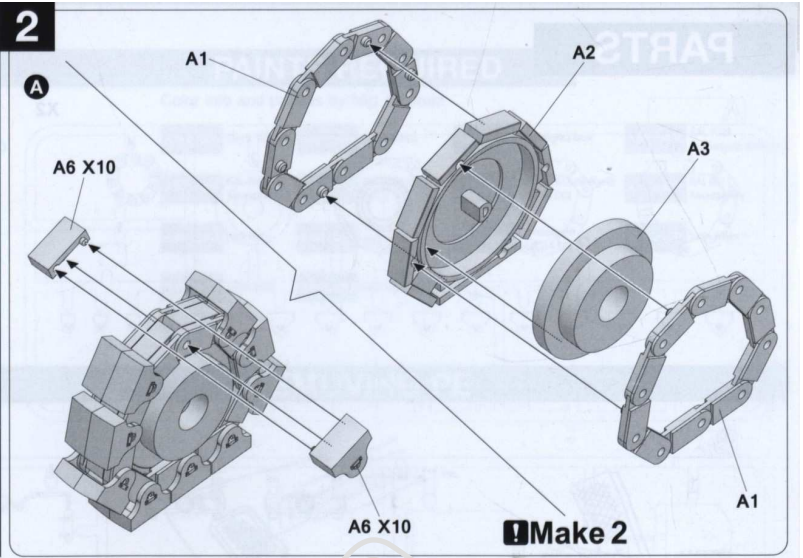
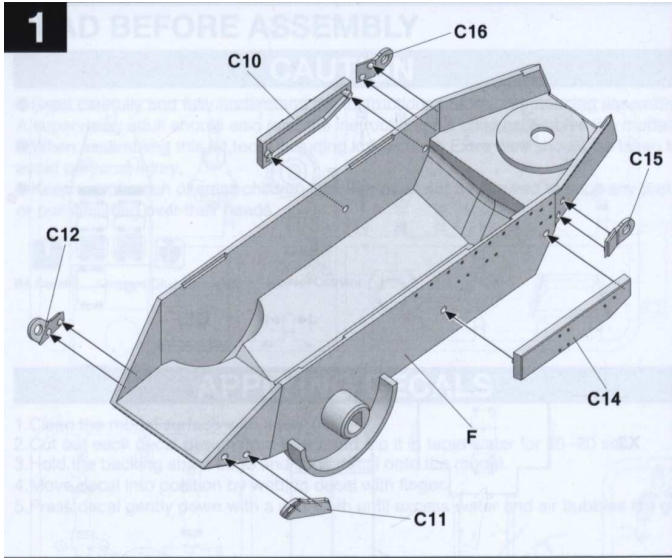
E



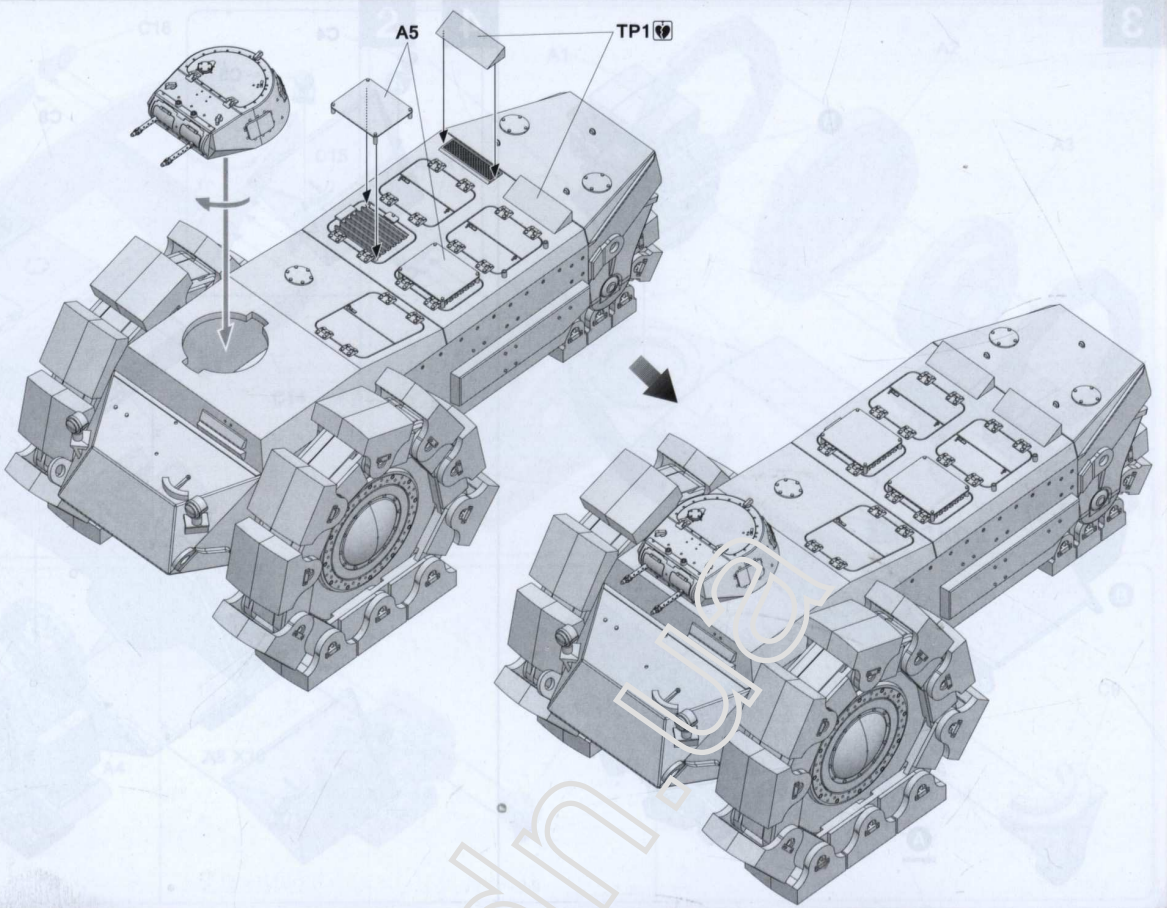
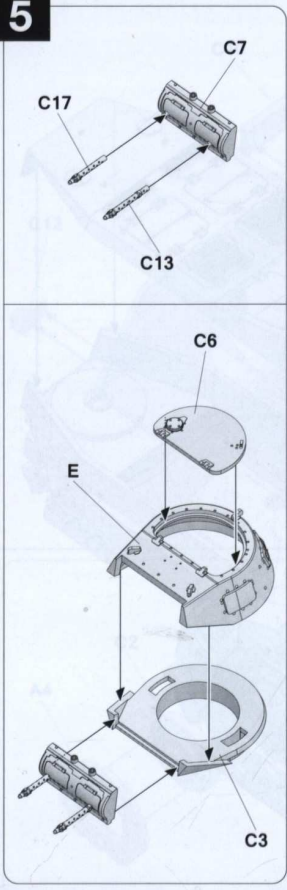
TP



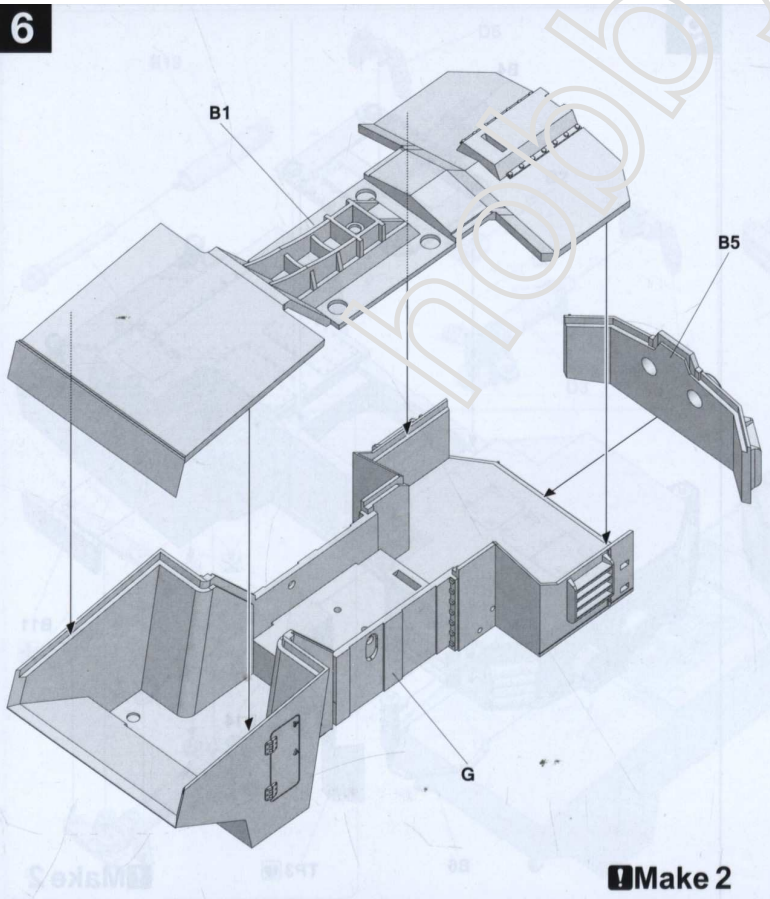
Decal



5

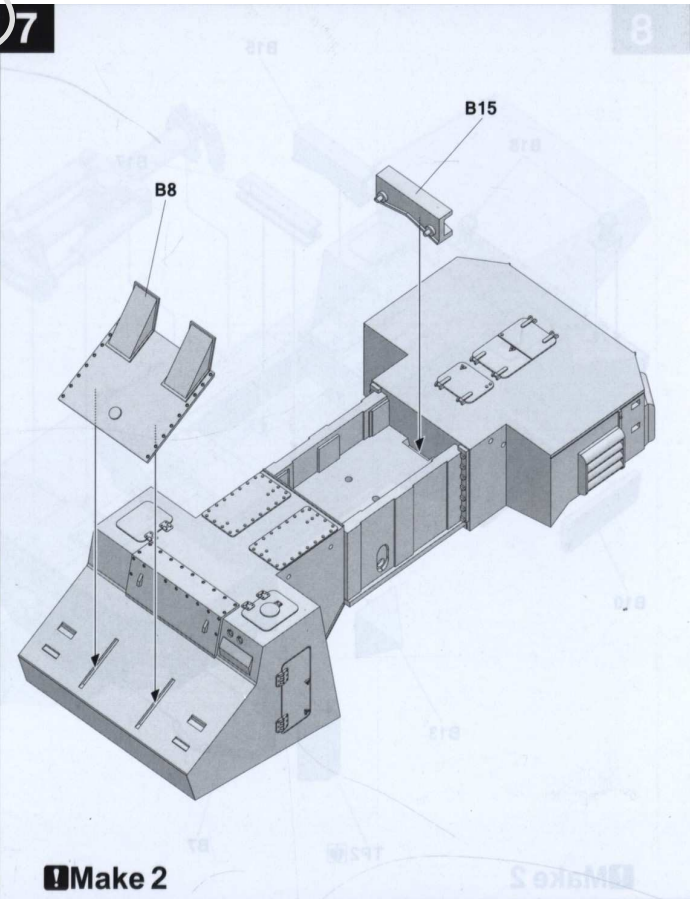


6



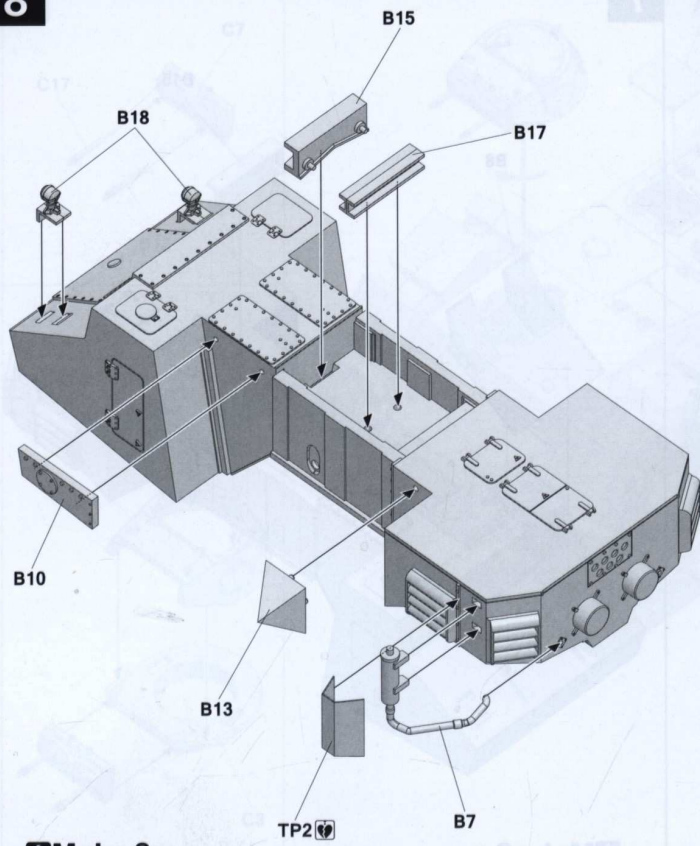
Make 2

7



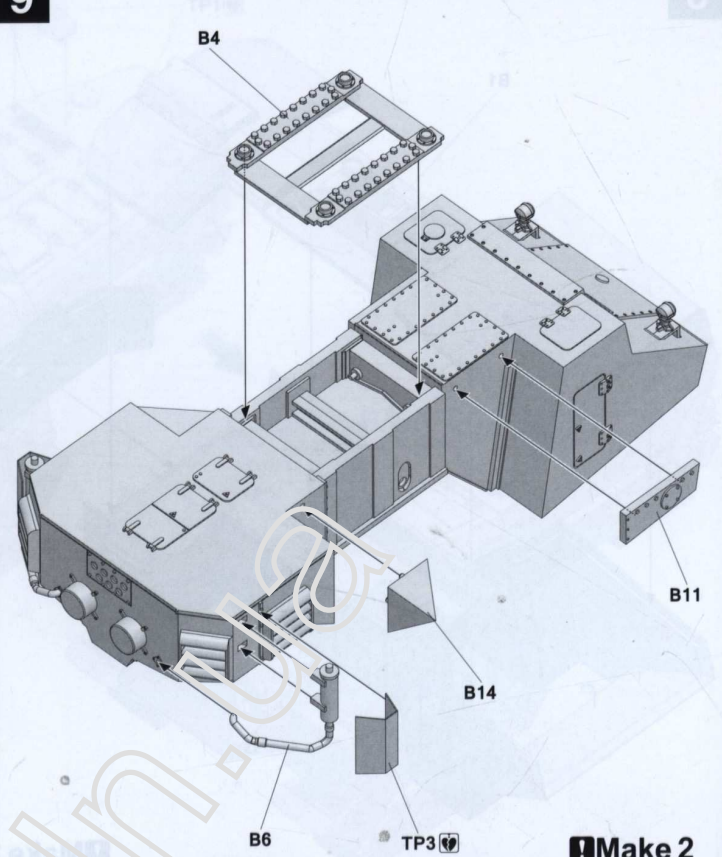
Make 2

8



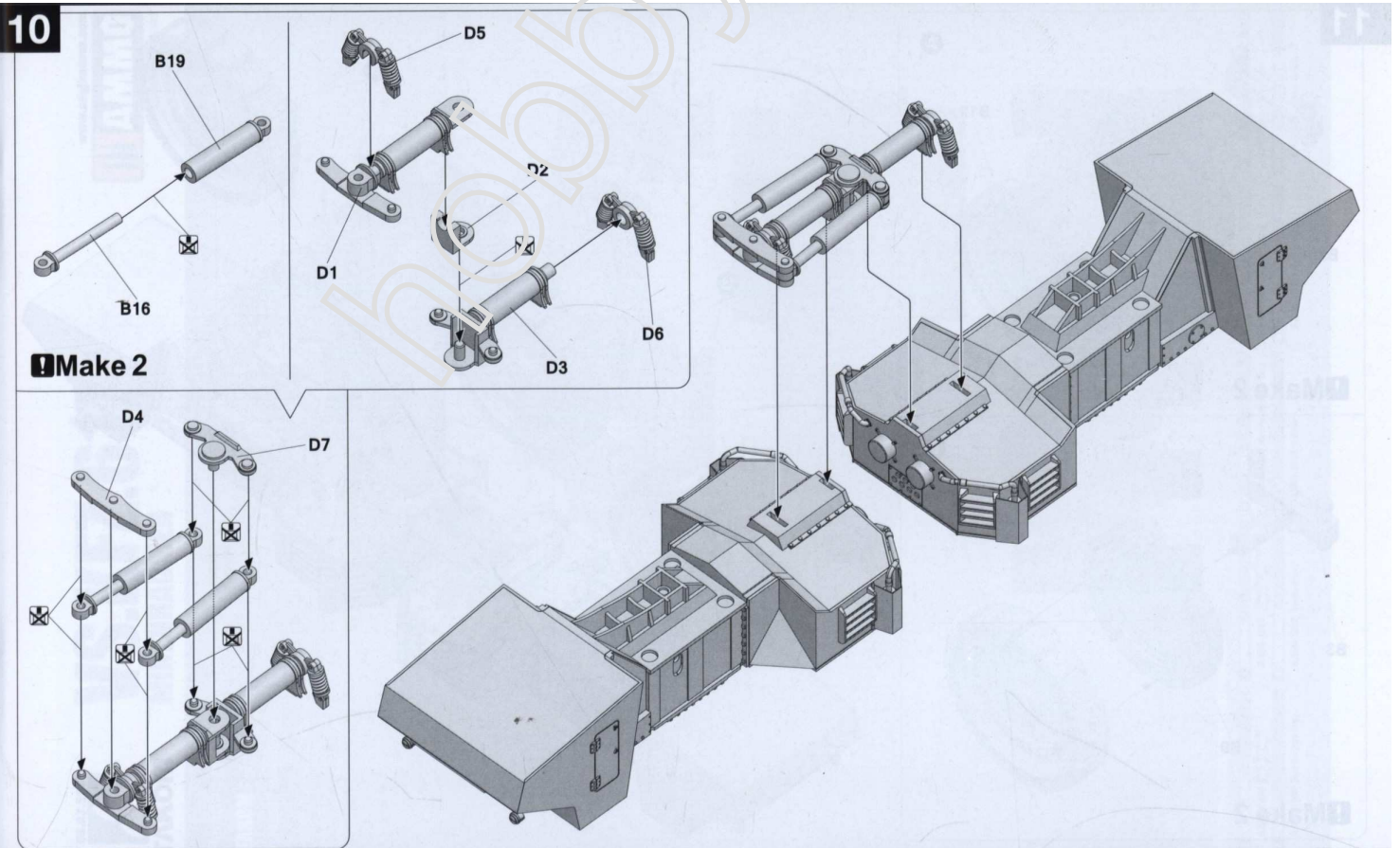
Make 2

9

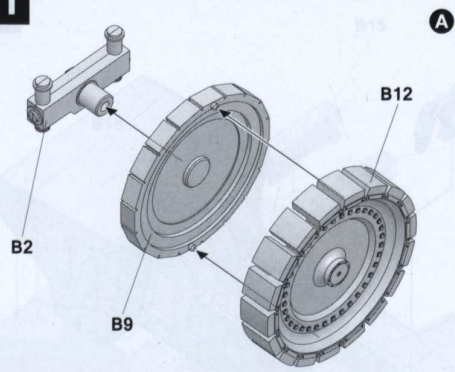


Make 2

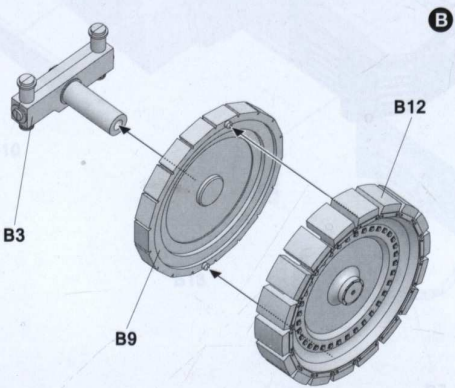
10



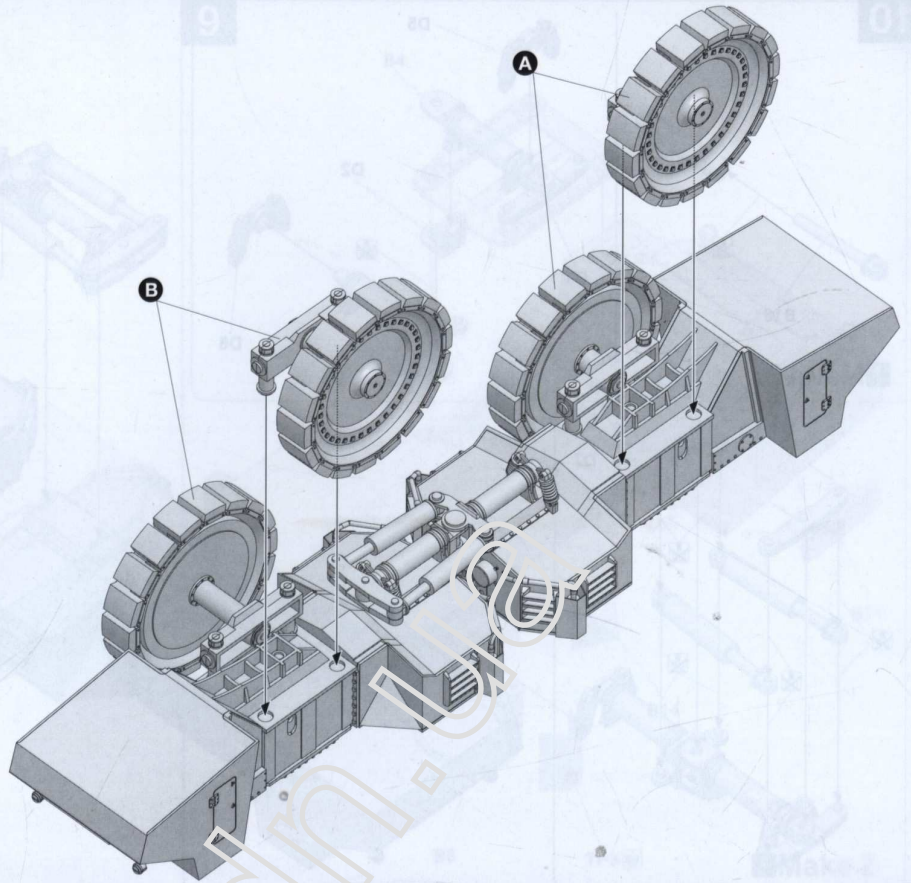
Make 2



Make 2



Make 2



Painting and Marking Guide

TAKOM Ref: 5007

Vs.Kfz.617 Minenräumer
NK-101, Fahrgestell Nummer 9537,
Entwicklungs und Erprobungskette,
Kummerdorf, April 1945

A.MIG-0010 Dark Tracks A.MIG-0047 Dark Grey A.MIG-0908 Dunkelgrün Base

0045, 0908, 0035

WEATHERING STEPS WITH AMMO PRODUCTS

1 GENERAL WASH A.MIG-1006 Blue Wash for Panzer Grey	3 STREAKING A.MIG-1202 Streaking Grease for Panzer Grey	5 RAINMARKS A.MIG-1250 Streaking/ruher Dust	7 MUD A.MIG-1703 Moist Ground	9 FUEL A.MIG-1409 Fuel Stains
2 FILTER A.MIG-1509 Blue for Dark Grey	4 TRACKS WASH A.MIG-1002 Tracks Wash	6 DUST A.MIG-3013 Rubble	8 SPLASHES A.MIG-1752 Loose Ground	10 OIL A.MIG-1408 Fresh Engine Oil

Painting and Marking Guide

TAKOM Ref: 5007

Vs. Kfz. 617 Minenräumer

209th Panzer-Pioneer-Battalion,
11th Panzer Division, Chir River,
December 1942

WEATHERING STEPS WITH AMMO PRODUCTS

1 GENERAL WASH A.MIG-1006 Blue Wash for Panzer Grey	3 STREAKING A.MIG-1292 Streaking Grime for Panzer Grey	5 RUST A.MIG-1254 Streakingbrusher Rust	7 MUD A.MIG-1705 Wet Mud	9 FUEL A.MIG-1409 Fuel Stains
2 FILTER A.MIG-1509 Blue for Dark Grey	4 TRACKS WASH A.MIG-1002 Tracks Wash	6 DUST A.MIG-3007 Dark Earth	8 SPLASHES A.MIG-1740 Dry Earth	10 OIL A.MIG-1408 Fresh Engine Oil

Painting and Marking Guide

TAKOM Ref: 5007

Vs. Kfz. 617 Minenräumer

2nd Panzer-Pioneer-Kompanie,
3rd Panzer Grenadier Division, "Totenkopf",
Kuruk, July 1943

WEATHERING STEPS WITH AMMO PRODUCTS

1 GENERAL WASH A.MIG-1006 Brown Wash for Dark Yellow	3 STREAKING A.MIG-1293 Streakingbrusher Grime	5 RUST A.MIG-1254 Streakingbrusher Rust	7 MUD A.MIG-1702 Turned Earth	9 FUEL A.MIG-1409 Fuel Stains
2 FILTER A.MIG-1519 Tan for 3 Tone Camo	4 TRACKS WASH A.MIG-1002 Tracks Wash	6 DUST A.MIG-3004 Europe Earth	8 SPLASHES A.MIG-1751 Dry Slope	10 OIL A.MIG-1408 Fresh Engine Oil

Painting and Marking Guide

TAKOM Ref: 5007

Vs Kfz.617 Minenräumer
 3./SS Panzer-Pionier-Battalion 1,
 Kampfgruppe Peiper, Ardennes,
 December 1944

What if

Legend: A.MIG-0002 Dark Tracks, A.MIG-0045 Gun Metal, A.MIG-0011 RW 120CHAMP Aus. WEISS, A.MIG-0015 RW 0017 Schokoladebraun, A.MIG-0003 RAL 8011 Rottbraun

0003, 02, 0045, 0035, 0015, 0011, 0015, 0003, 0011, 0035

WEATHERING STEPS WITH AMMO PRODUCTS

1 GENERAL WASH A.MIG-1000 Dark Wash	3 STREAKING A.MIG-1206 Dark Streaking Grime	5 RUST A.MIG-1204 Streaking Rust Grime	7 MUD A.MIG-1704 Heavy Mud	9 FUEL A.MIG-1409 Fuel Stains
2 FILTER A.MIG-1510 Tan for 3 Tone Camo	4 TRACKS WASH A.MIG-1002 Tracks Wash	6 DUST A.MIG-3020 Winter Soil	8 OIL A.MIG-1733 Oil and Dirt	10 OIL A.MIG-1408 Fresh Engine Oil

Painting and Marking Guide

Krupp Räumler S, Krupp Factory, Germany, 1943

Legend: A.MIG-0335 Dark Rust, A.MIG-041 Dark Rust, A.MIG-014 Rotbraun

0335, 041, 014, 041, 0335

TAKOM WWII German Mine cleaning Vehicle Krupp Räumler S Ref: 5007

