

SLT 56 & LEOPARD 2A7

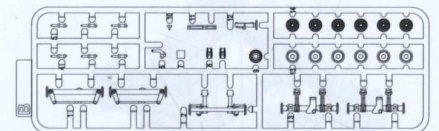
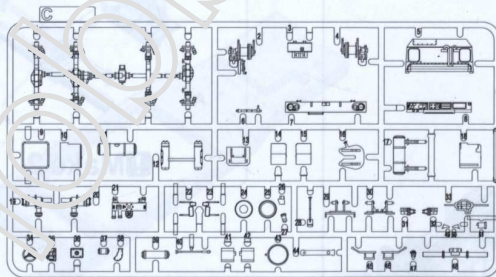
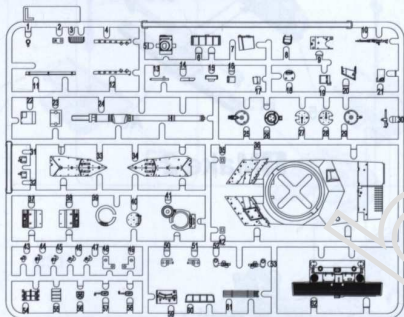


1/72
No.5011

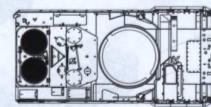
03.02.5011



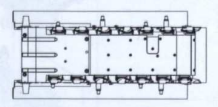
PARTS



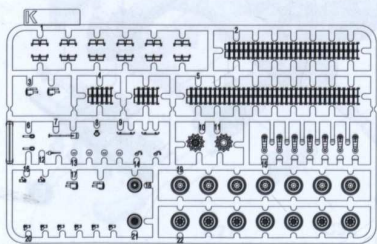
X2



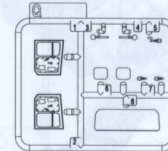
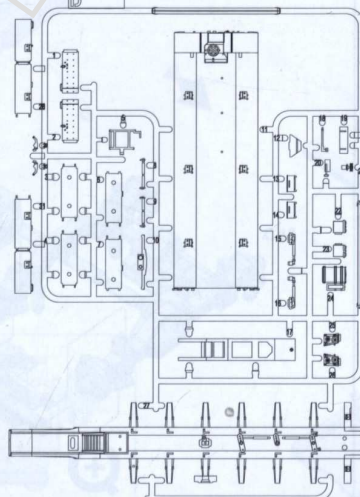
Upper Hull



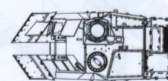
Lower Hull



X2



Turret



F



E



H



X9



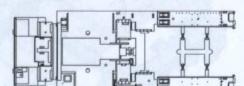
X26



Decal

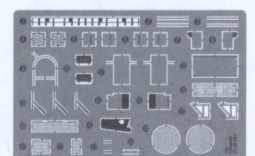


G



P

Cable

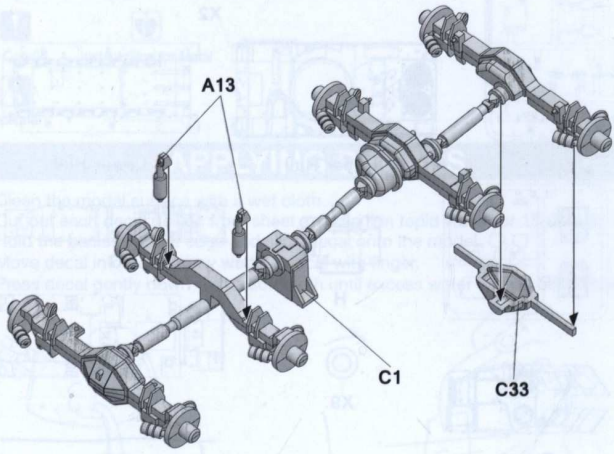


TP

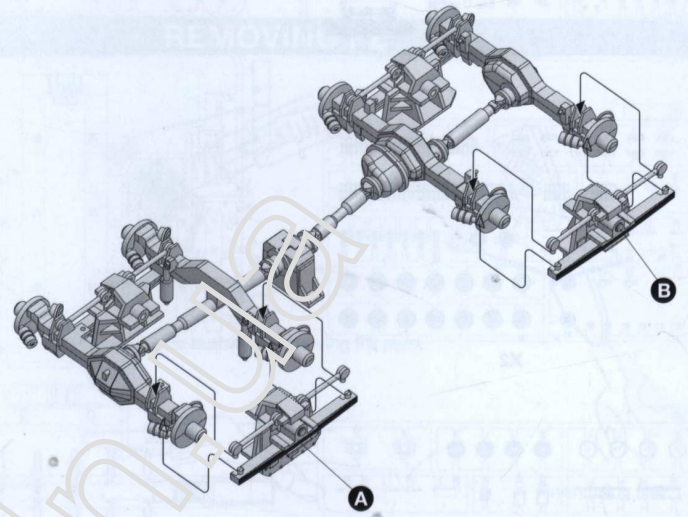
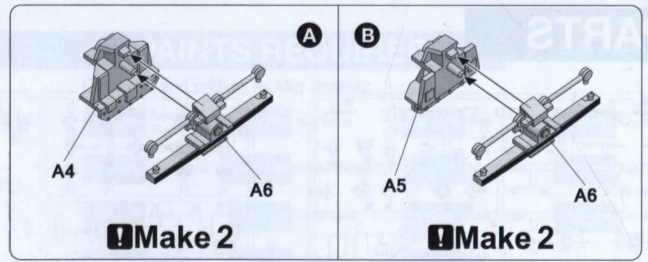
1

READ BEFORE ASSEMBLY

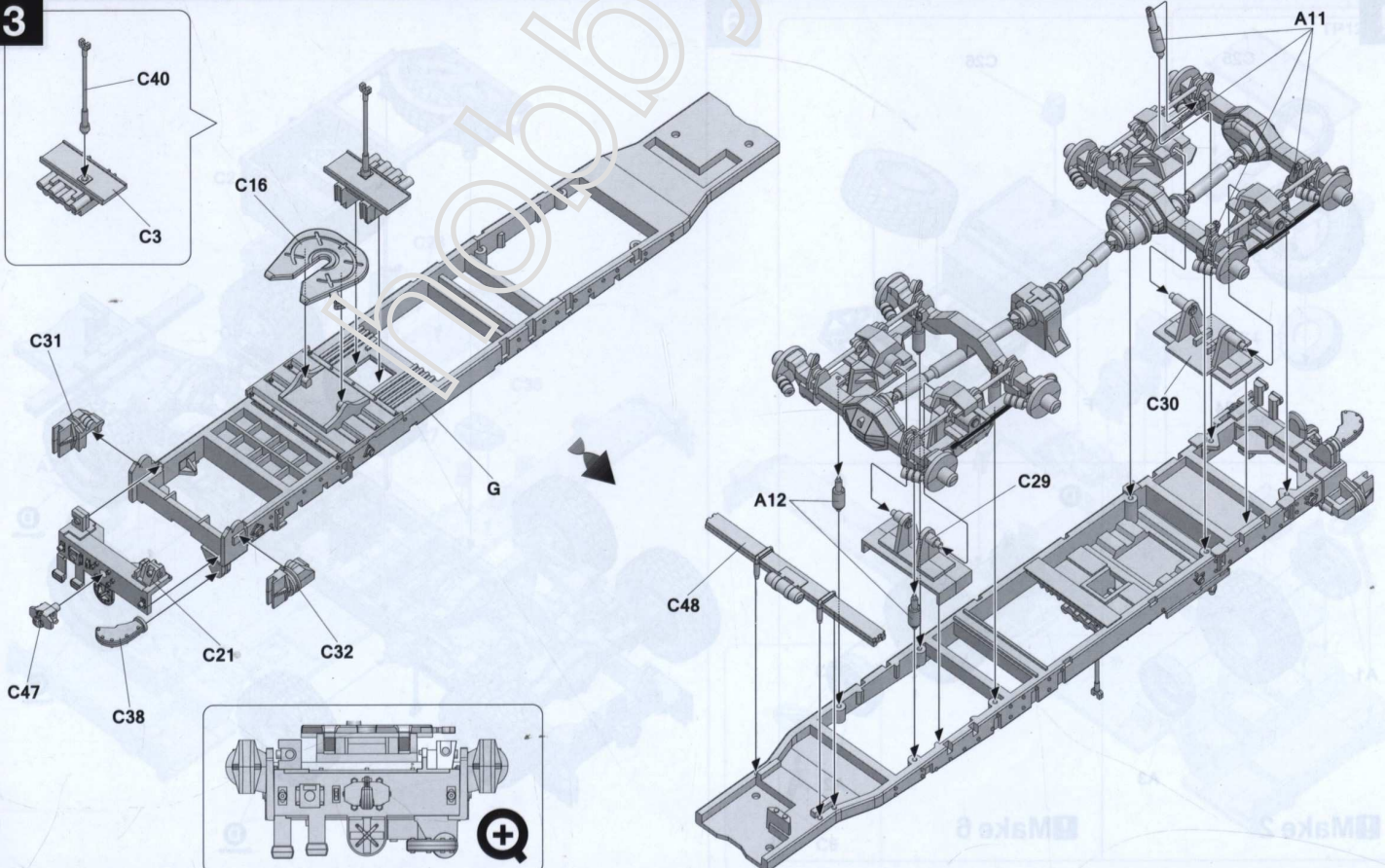
CAUTION



2

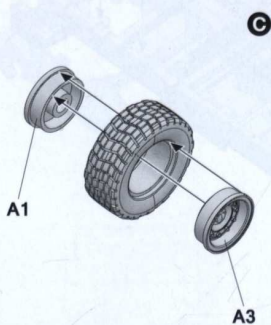
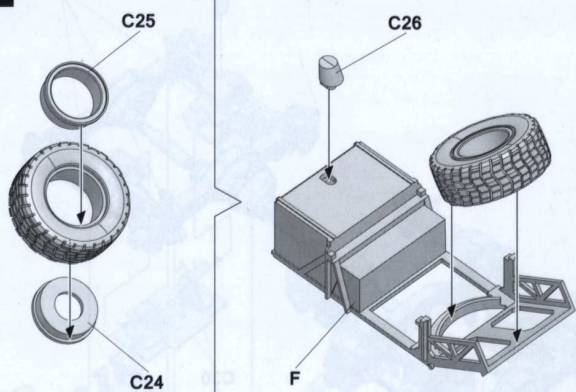


3

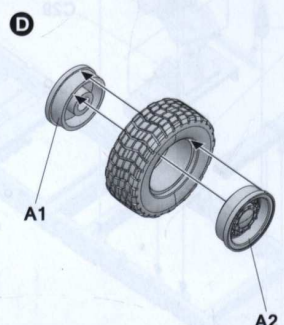


4

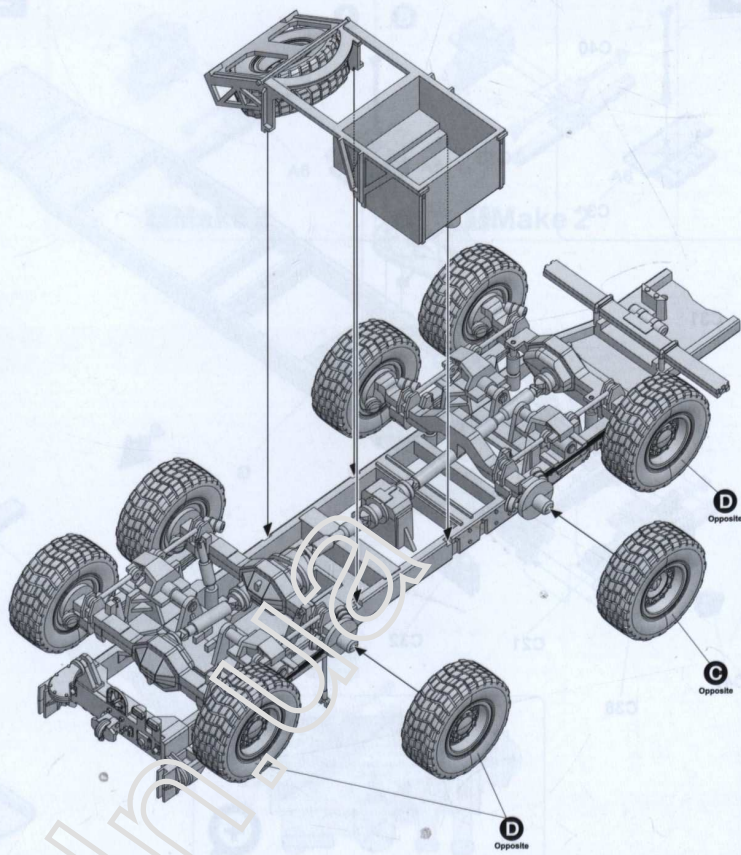
4



Make 2

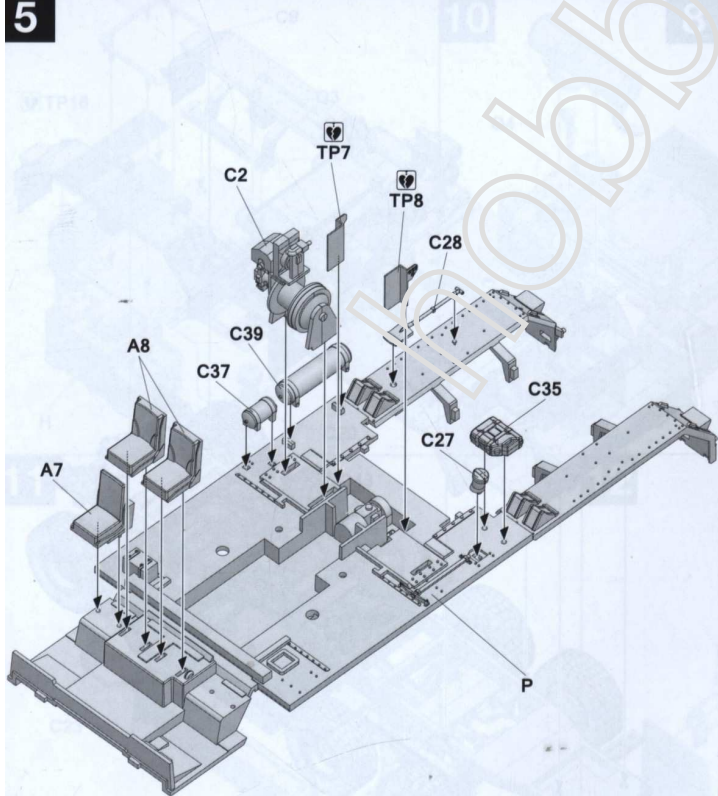


Make 6

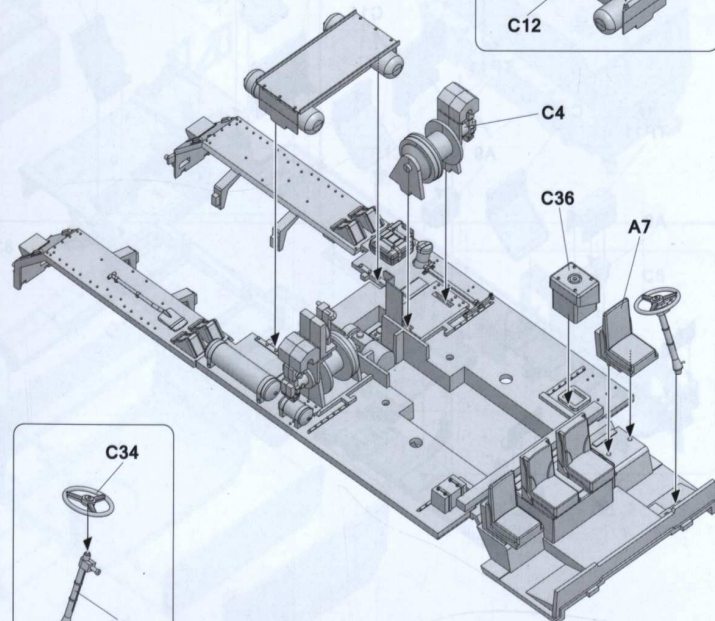
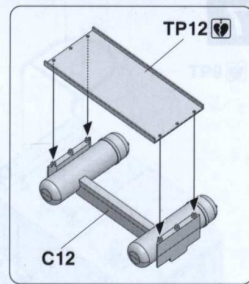


5

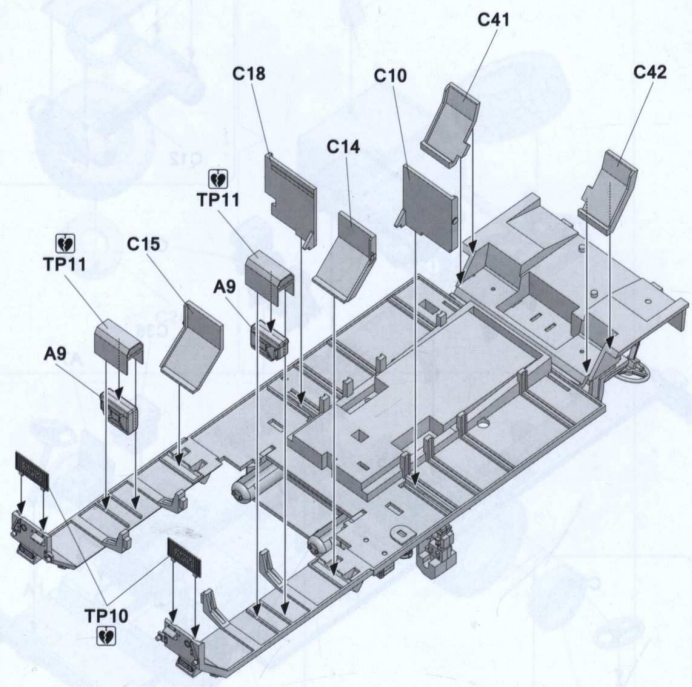
5



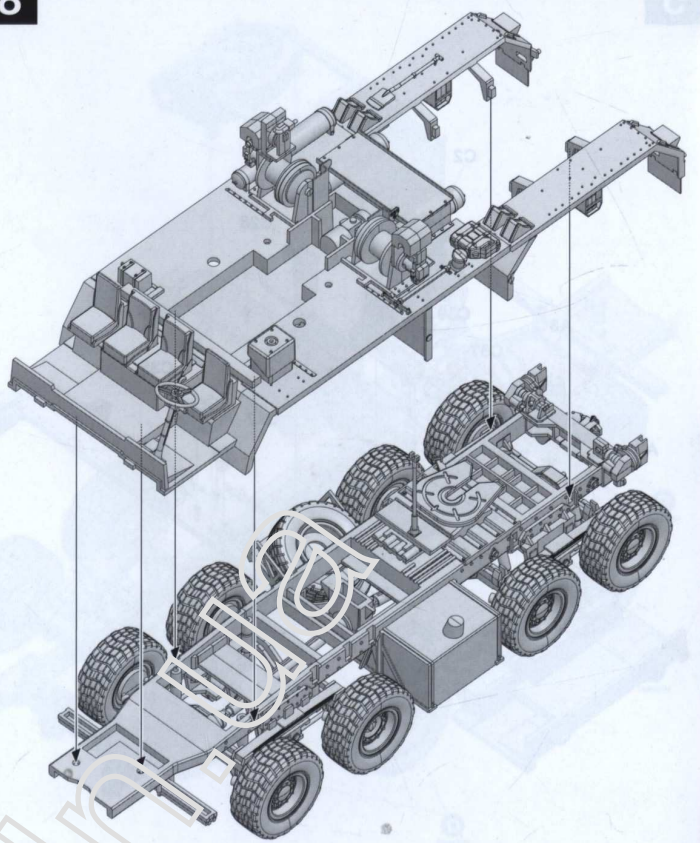
6



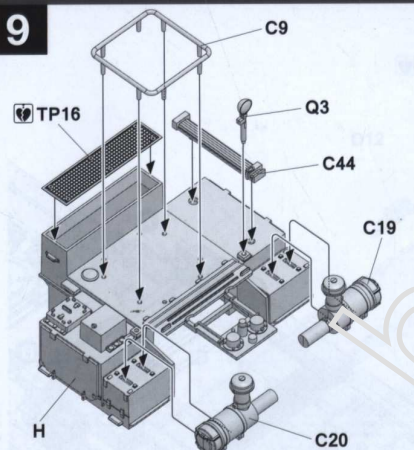
7



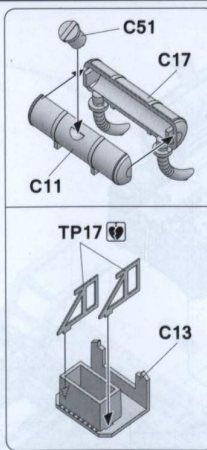
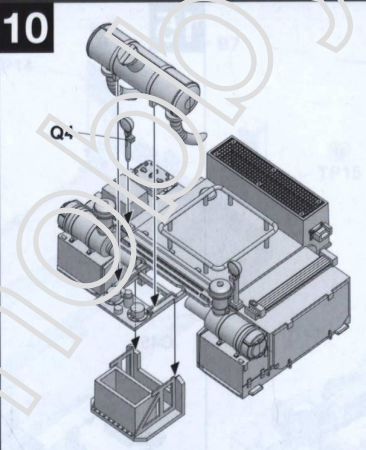
8



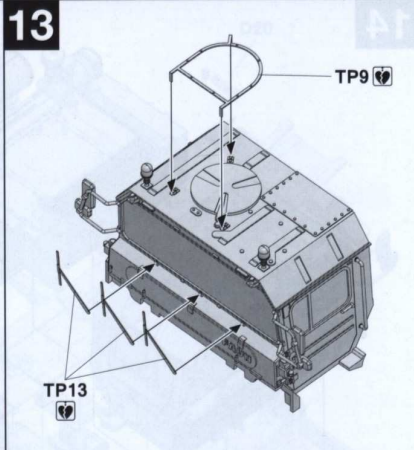
9



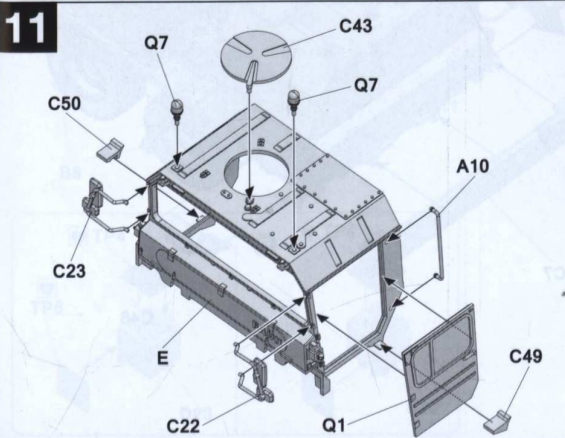
10



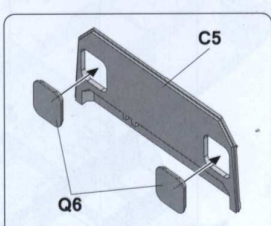
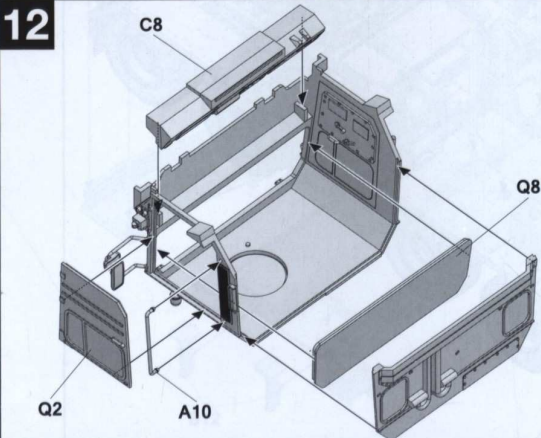
13



11

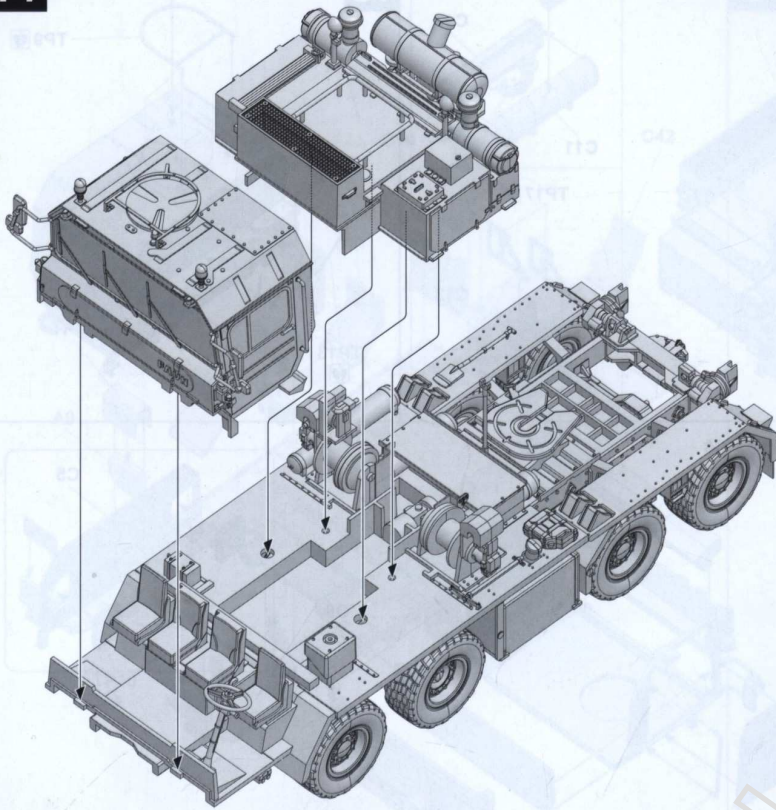


12

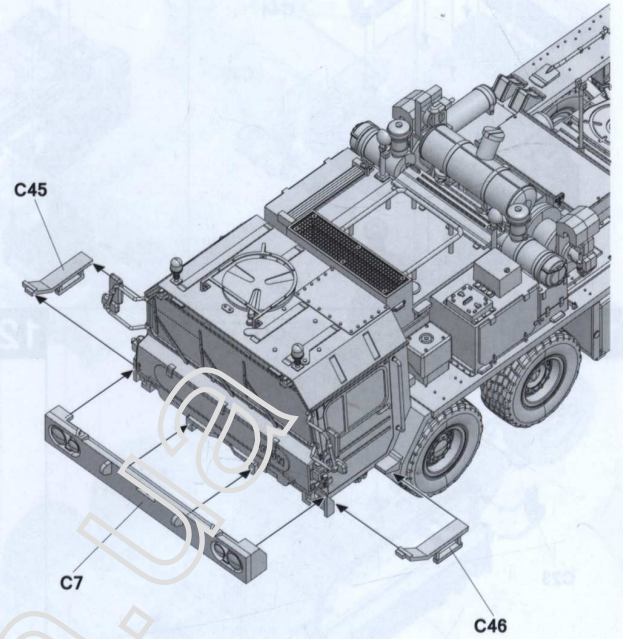


8

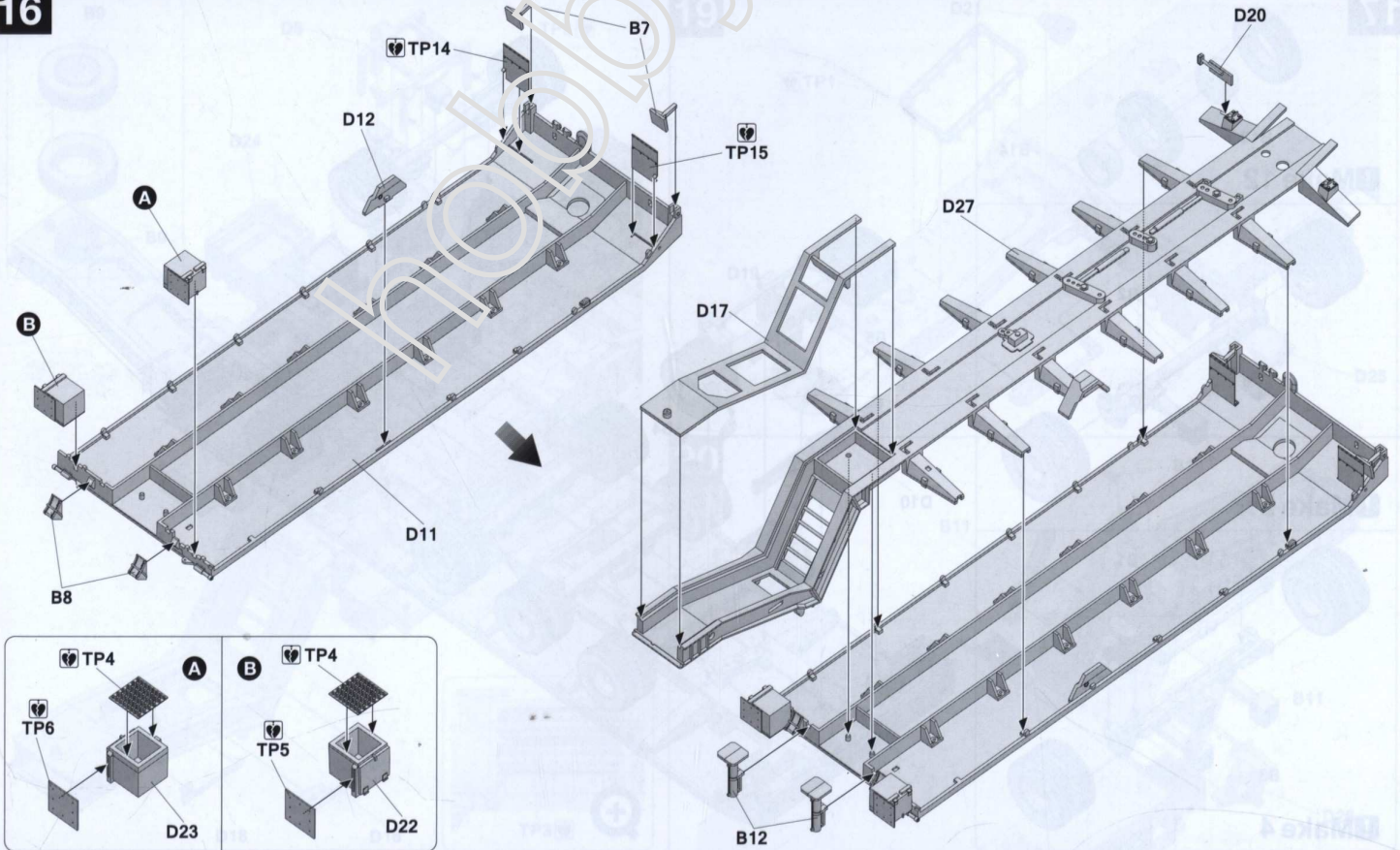
14



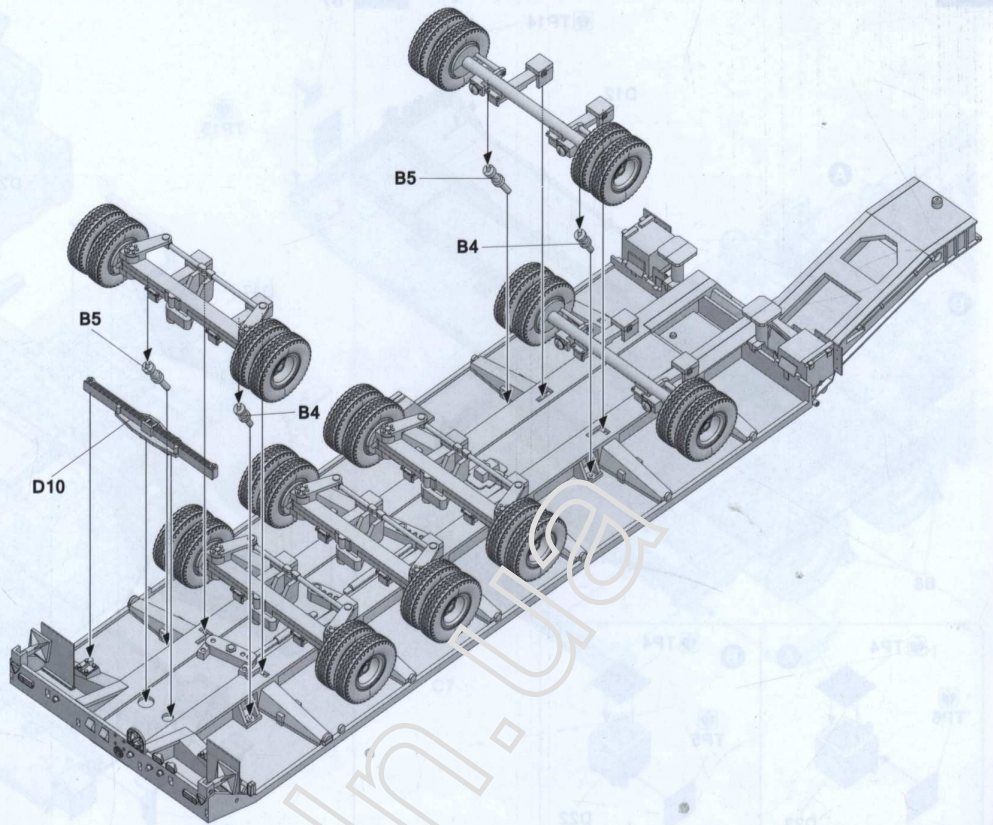
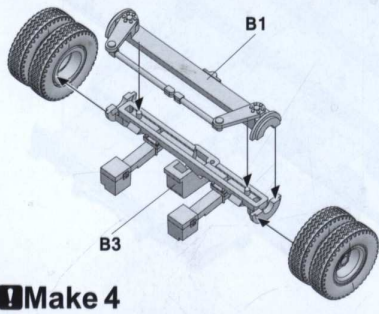
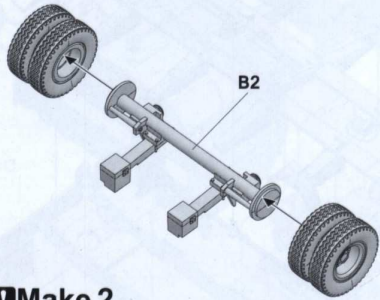
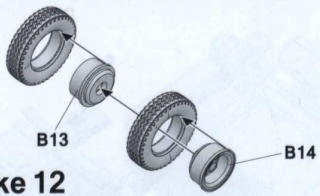
15



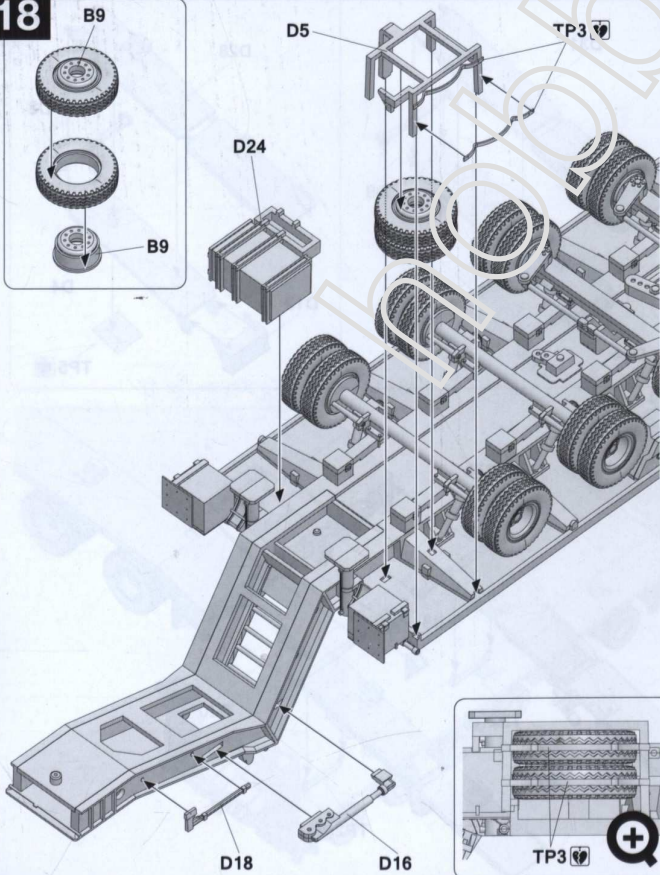
16



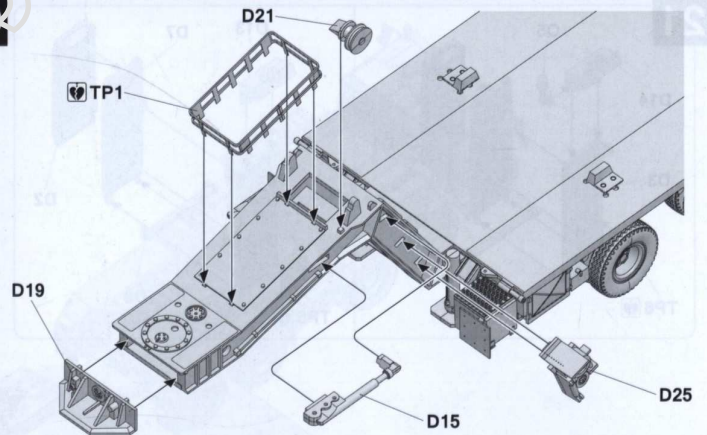
17



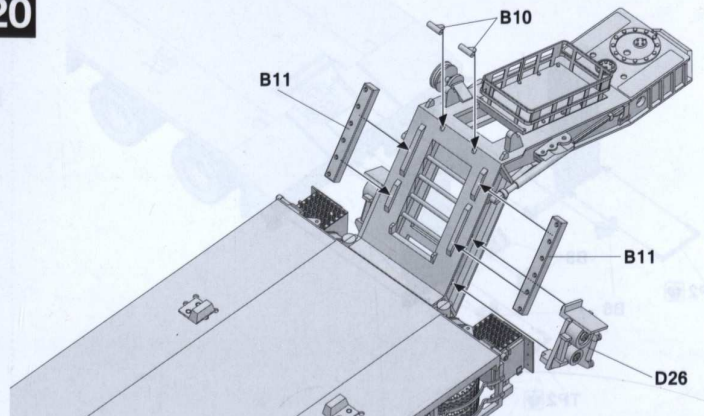
18



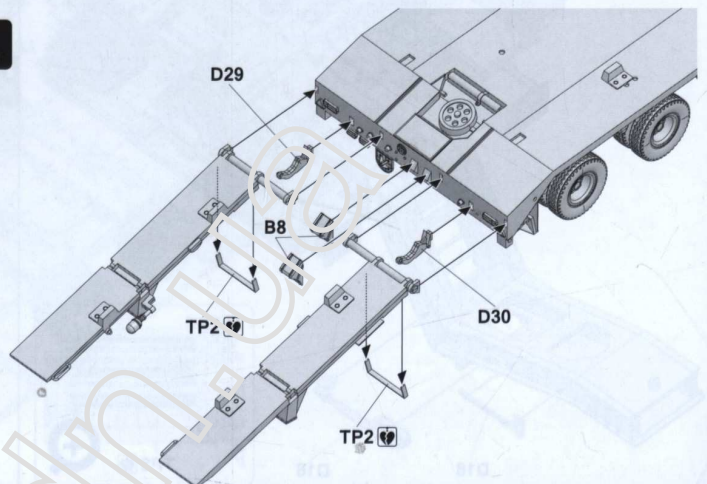
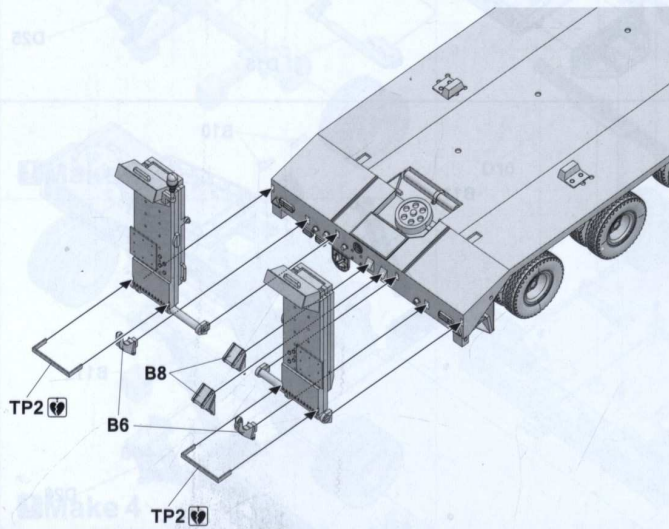
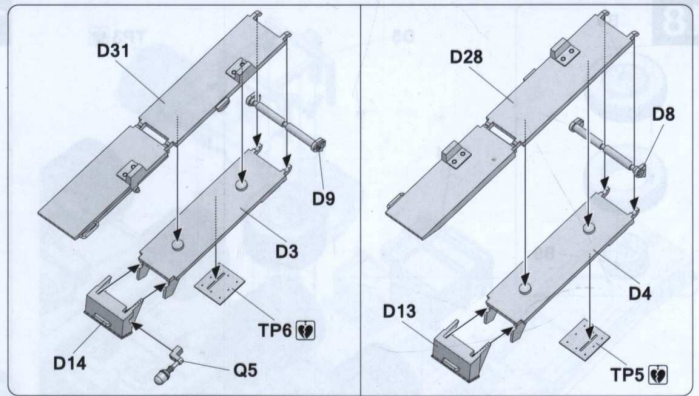
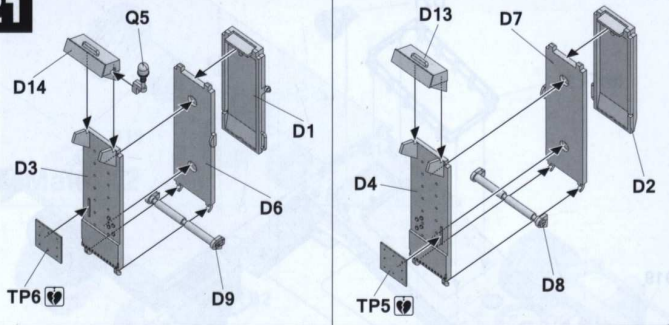
19



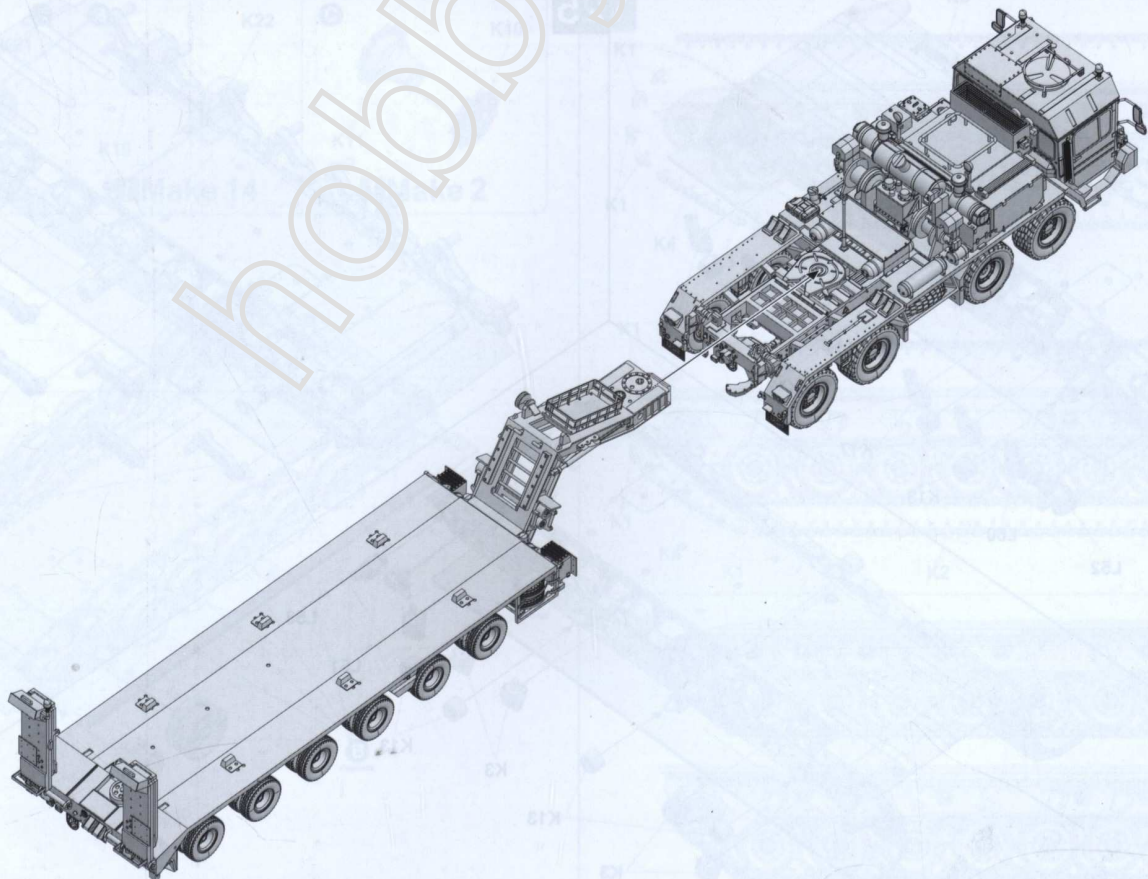
20



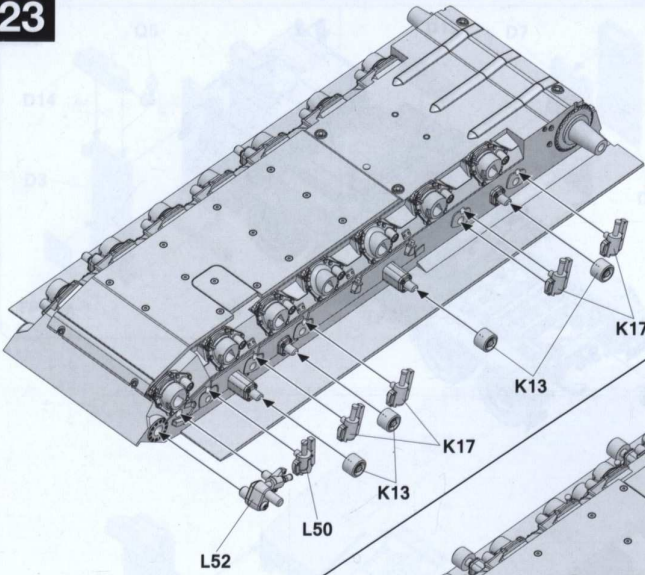
21



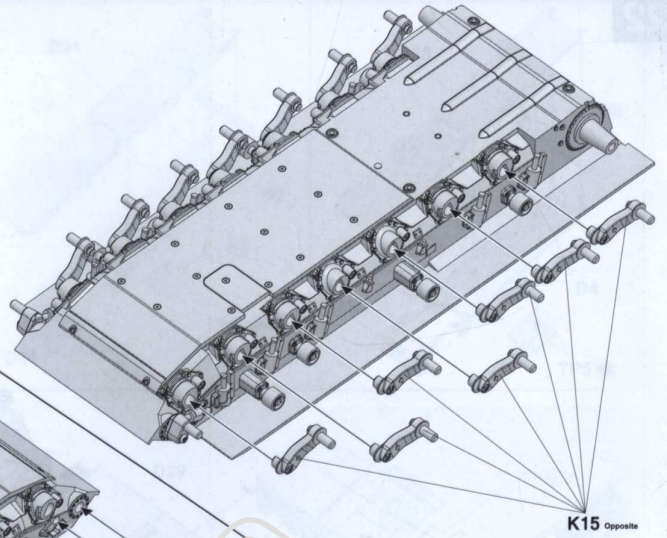
22



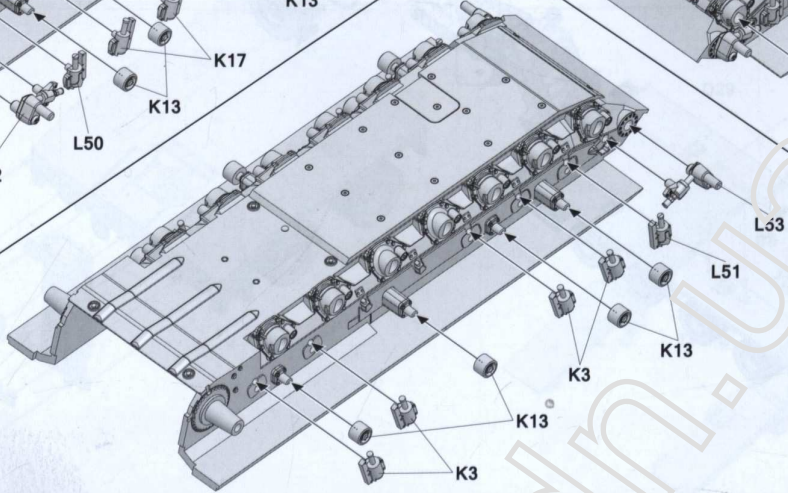
23



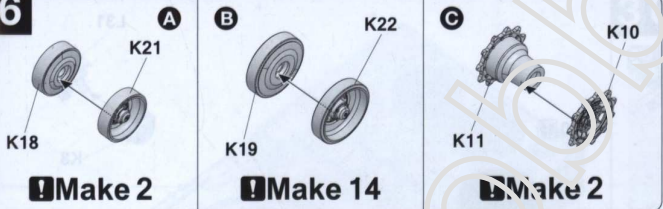
25



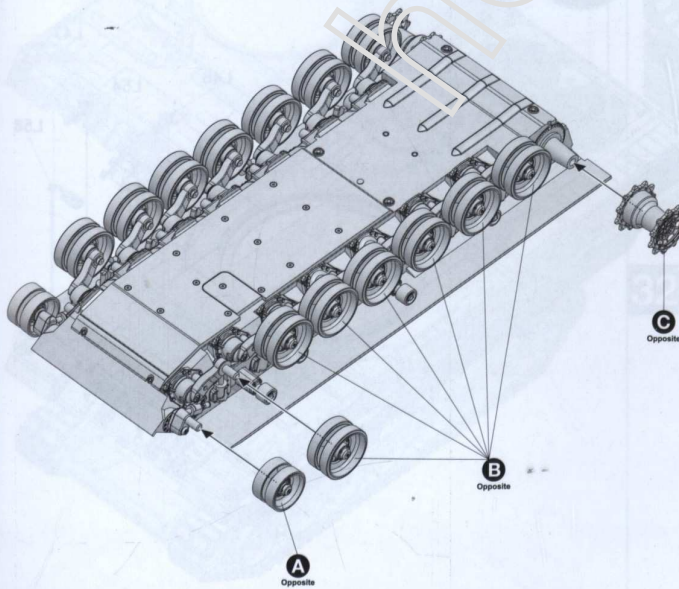
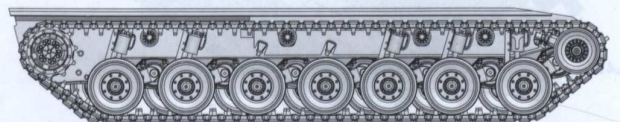
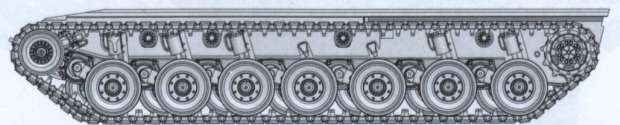
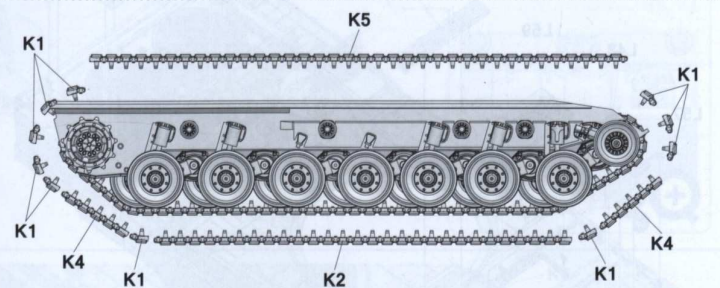
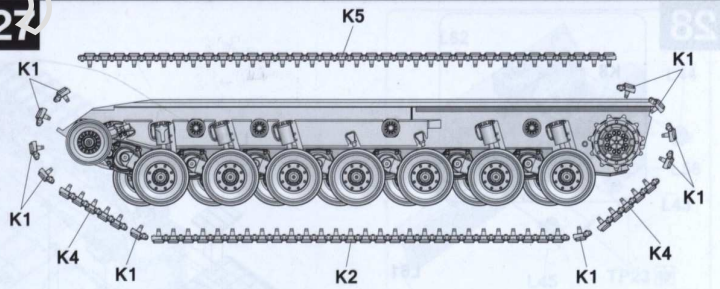
24



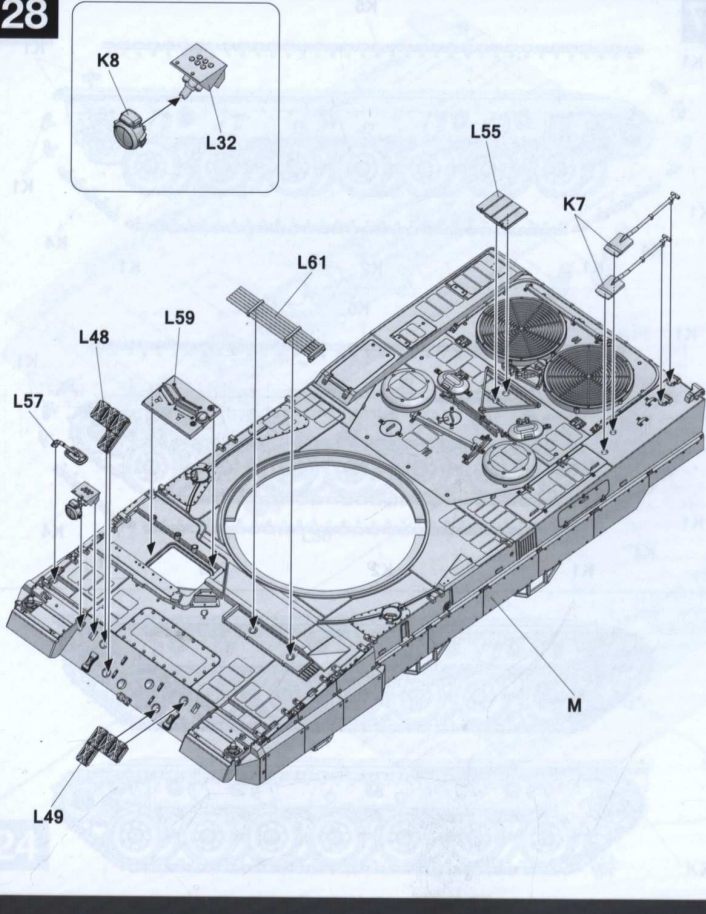
26



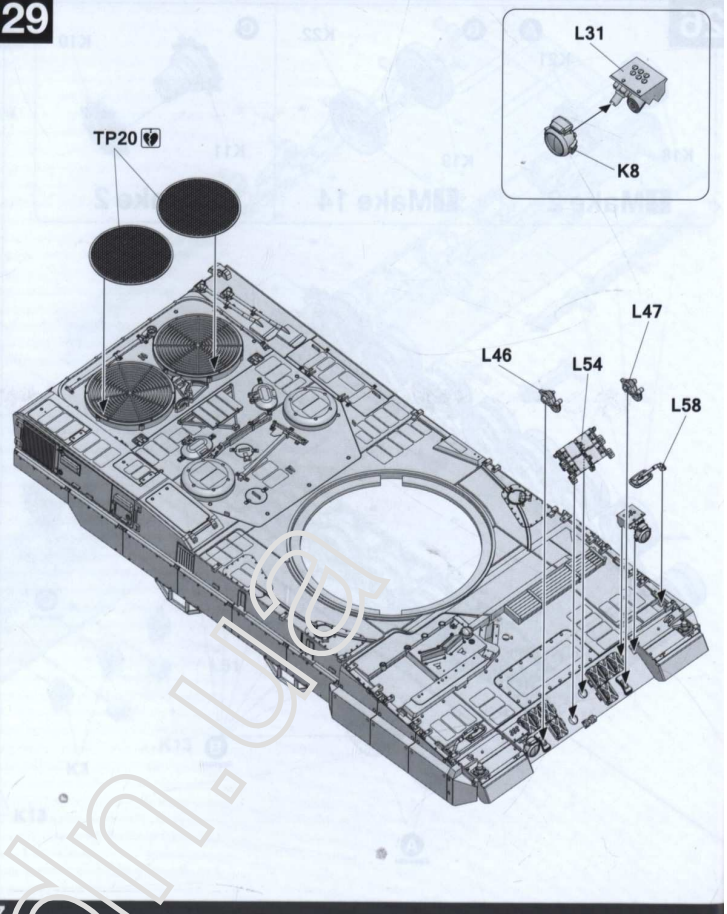
27



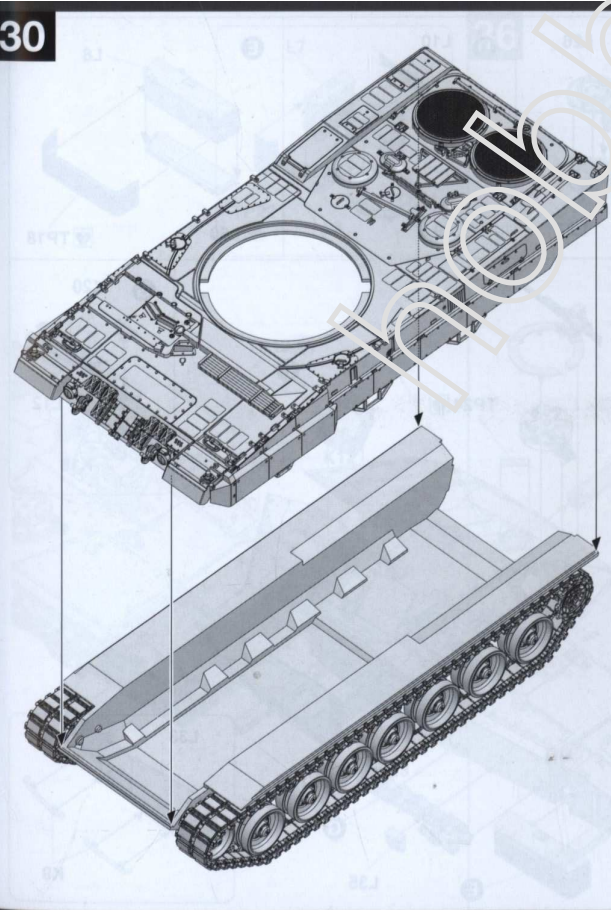
28



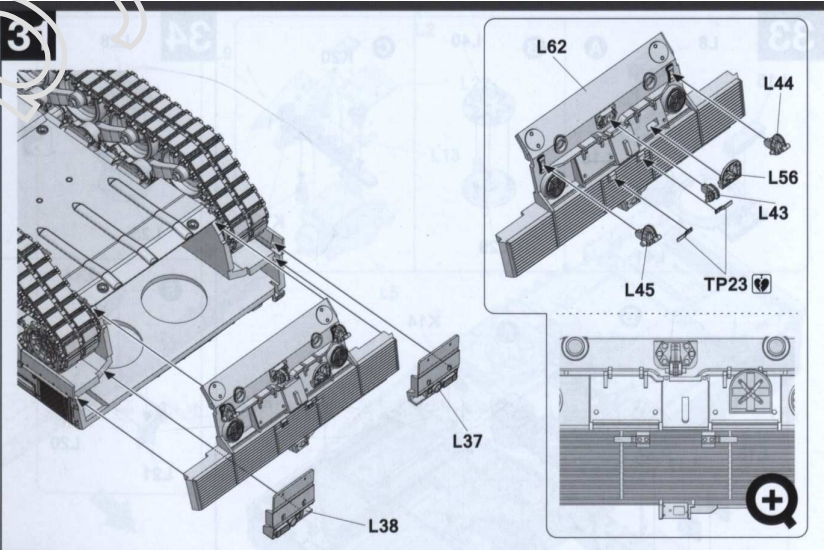
29



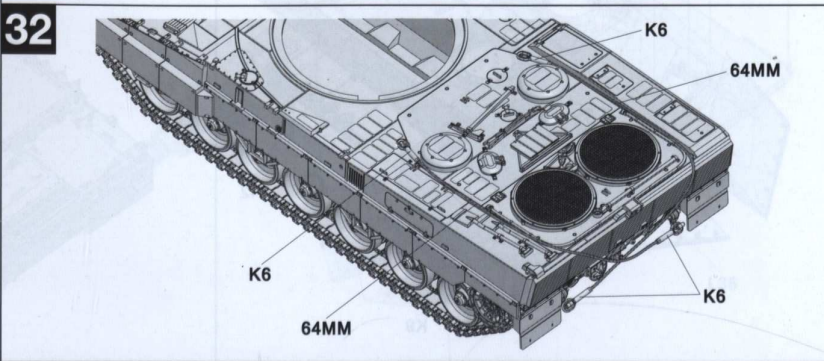
30



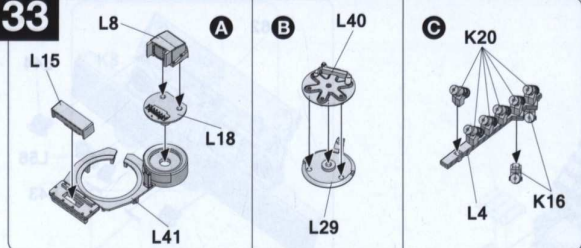
31



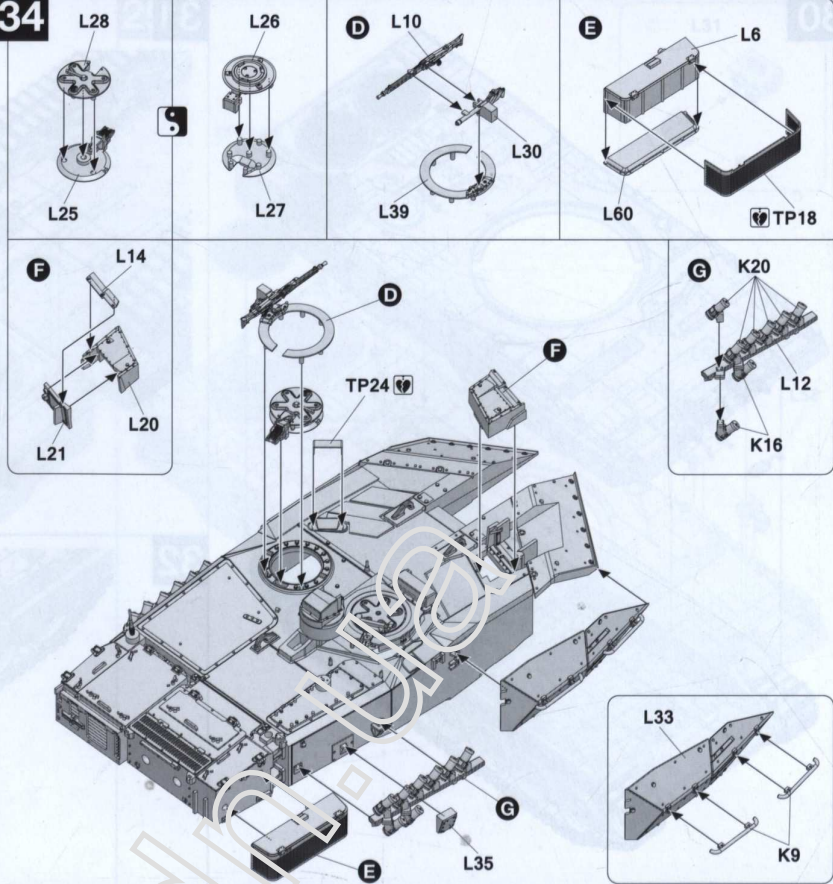
32



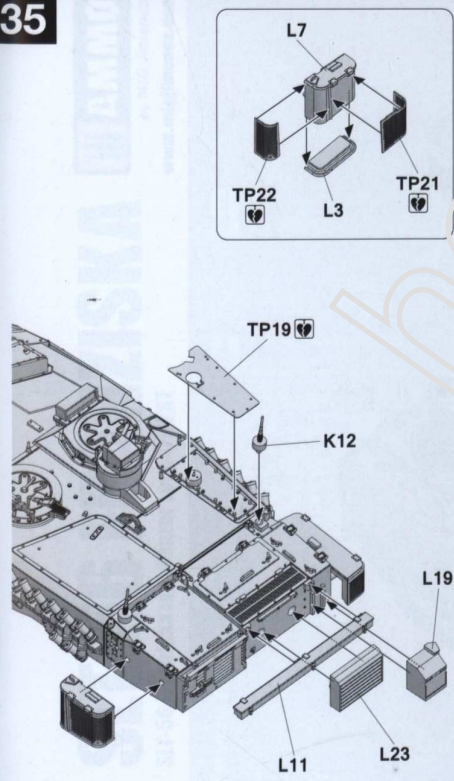
33



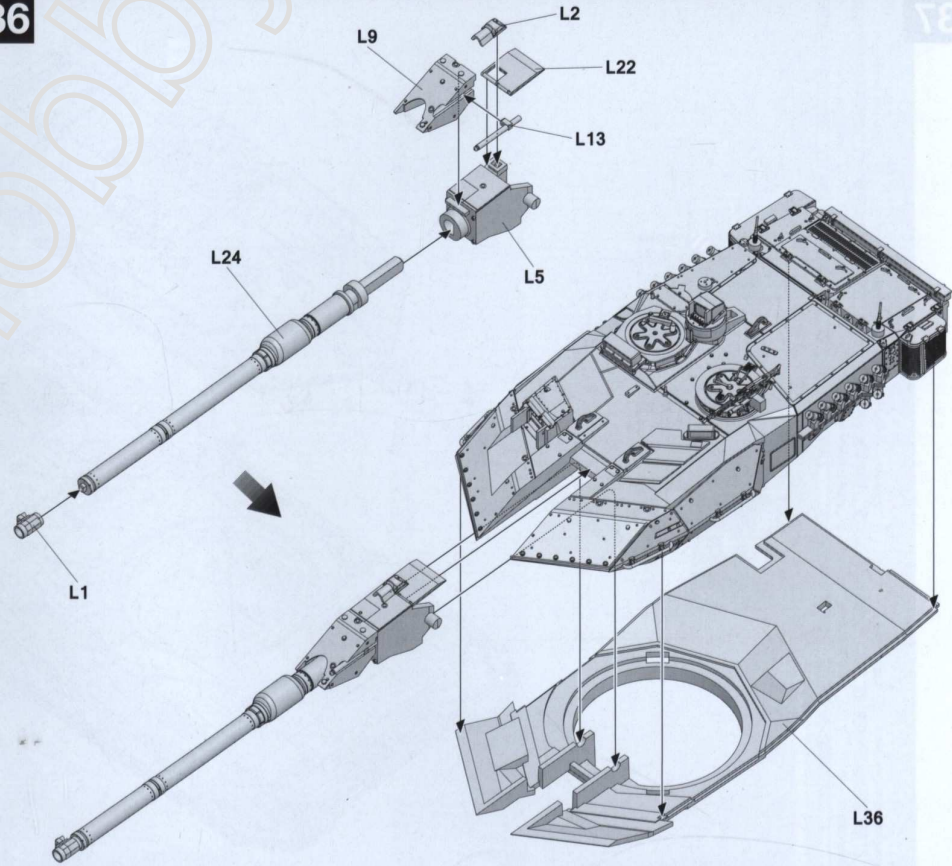
34

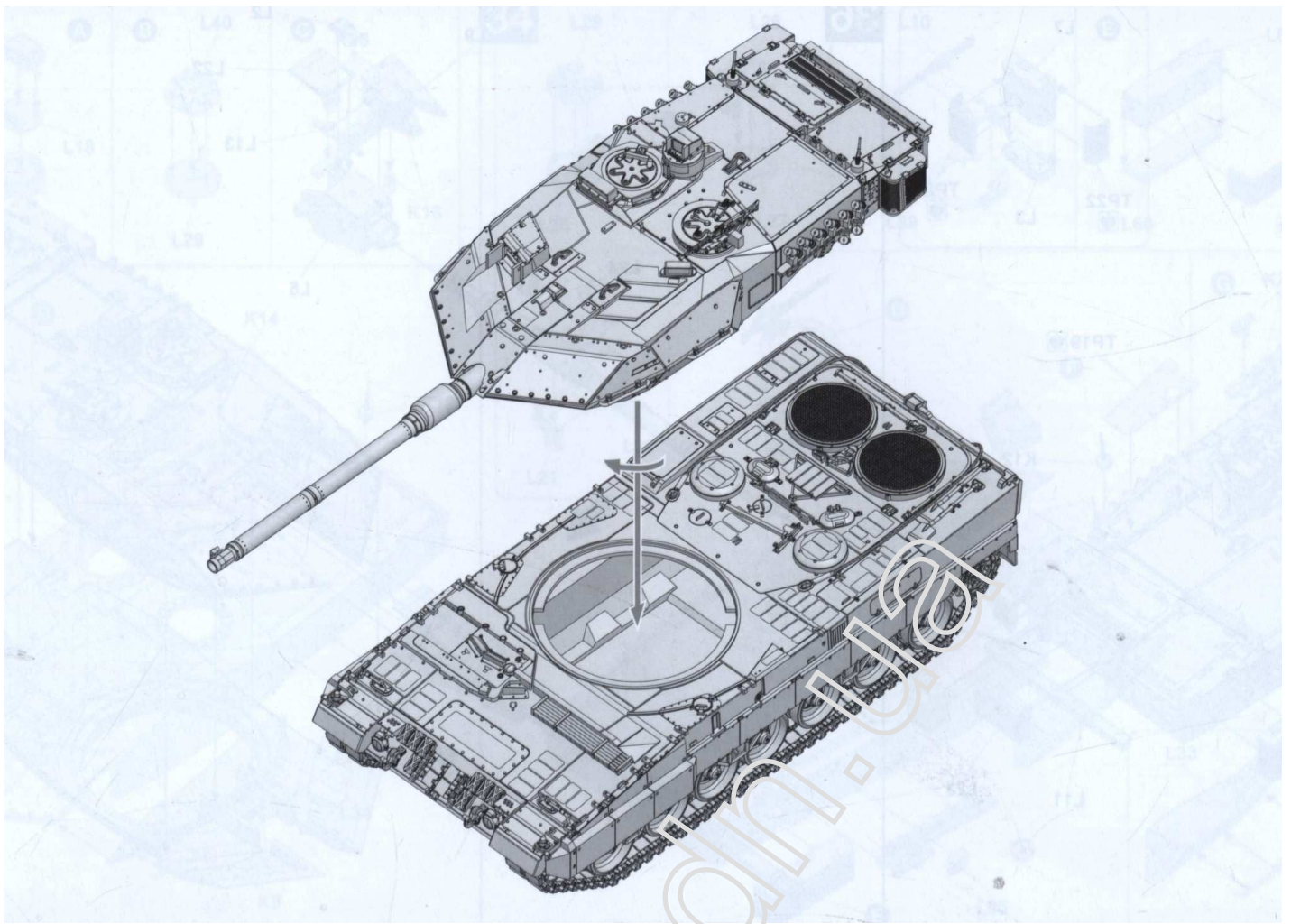


35



36





Painting and Marking Guide
TAKOM Ref: 5011
 STL-56 Franziska
 Versorgungsbattalion 141,
 Rotenburg/Wümme,
 September 2018

A.MIG-0003 Phosphor Yellow
 A.MIG-0017 Light Grey
 A.MIG-0018 Silver
 A.MIG-0094 Crystal Glass
 A.MIG-0095 Crystal Red
 A.MIG-0004 Green
 A.MIG-0088 Navy Blue
 A.MIG-0085 Navy Blue
 A.MIG-0048 Black

WEATHERING STEPS WITH AMMO PRODUCTS

1 GENERAL WASH A.MIG-1008 Dark Wash	3 STREAKING A.MIG-1252 Streakingbrush Grime	5 RAINMARKS A.MIG-1208 Rainmarks Effects	7 MUD A.MIG-1792 Mud Ground	9 FUEL A.MIG-1400 Fuel Stains
2 FILTER A.MIG-1508 Green for Grey Green	4 WHEELS WASH A.MIG-1493 Earth	6 DUST A.MIG-3039 Factory Dirt Ground	8 SPLASHES A.MIG-1792 Loose Ground	10 OIL A.MIG-1406 Fresh Engine Oil

Painting and Marking Guide

TAKOM Ref: 5011
 STL-56 Franziska
 Log 5, Garlstedt,
 July 2007

WEATHERING STEPS WITH AMMO PRODUCTS			
1 GENERAL WASH A.MIG-1008 Dark Wash	3 STREAKING A.MIG-1203 Streaking Grease	5 RAINMARKS A.MIG-1208 Streakingbrusher	7 MUD A.MIG-1702 Mud
2 FILTER A.MIG-1506 Brown for Dark Green	4 WHEELS WASH A.MIG-1401 Light Dust	6 DUST A.MIG-3011 Airfield Dust	8 SPLASHES A.MIG-11 Dry Type
			9 FUEL A.MIG-1408 Fuel Stains
			10 OIL A.MIG-1408 Fresh Engine Oil

Painting and Marking Guide

TAKOM Ref: 5011
 Panzer Leopard 2A7
 Eurosatory Show,
 Paris, June 2014

WEATHERING STEPS WITH AMMO PRODUCTS			
1 GENERAL WASH A.MIG-1008 Dark Wash	3 STREAKING A.MIG-1208 Streakingbrusher	5 RAINMARKS A.MIG-1208 Rainmarks Effects	7 MUD A.MIG-1702 Mud
2 FILTER A.MIG-1507 Tan for Yellow Green	4 TRACKS WASH A.MIG-1002 Tracks Wash	6 DUST A.MIG-3013 Rubble	8 SPLASHES A.MIG-1702 Loose Ground
			9 FUEL A.MIG-1408 Fuel Stains
			10 OIL A.MIG-1408 Fresh Engine Oil

Painting and Marking Guide

TAKOM Ref: 5011

Panzer Leopard 2A7
Panzerlehrbrigade 9,
Panzerlehrbataillon 93,
Munster, July 2015

- A.MIG-0010 Dark Tracks
- A.MIG-0013 Rubber & Tire
- A.MIG-0045 Gun Metal
- A.MIG-0028 Light Wood
- A.MIG-0012 Sable Black
- A.MIG-0185 Tarn
- A.MIG-0094 Crystal Glass
- A.MIG-0091 Crystal Red
- A.MIG-0097 Crystal Orange
- A.MIG-0099 Crystal Blue
- A.MIG-0049 Flat
- A.MIG-0084 Nato Green
- A.MIG-0085 Nato Brown
- A.MIG-0046 Black



WEATHERING STEPS WITH AMMO PRODUCTS

1 GENERAL WASH A.MIG-1008 Dark Wash	3 STREAKING A.MIG-1208 Dark Streaking Grime	5 RANMARKS A.MIG-1258 Streaking after paint	7 MUD A.MIG-1404 Heavy Earth	9 FUEL A.MIG-1408 Fuel Stains
2 FILTER A.MIG-1006 Brown for Dark Green	4 TRACKS WASH A.MIG-1002 Tracks Wash	6 RUST A.MIG-3004 Europe Eas.	8 SPLASHES A.MIG-71 Splashed Dirt	10 OIL A.MIG-1408 Fresh Engine Oil

hobby