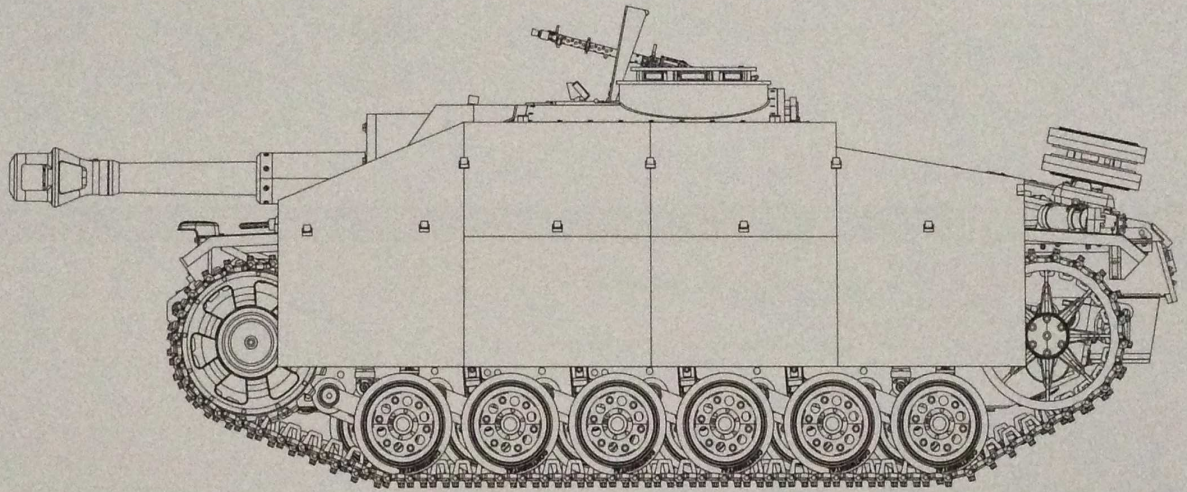


StuH42 & StuG III Ausf. G EARLY PRODUCTION 2IN1



Based on the obsolete Panzer III, the Sd.Kfz 142/1 StuG III Ausf. G became the ultimate version of the Sturmgeschütz III family of German AFV's, with some 7,720 being produced from December 1942 until March 1945. The main improvement over previous variants was a new casemate superstructure made up of slanted 30mm side armor & 50mm frontal armor plates. This casemate featured a new commander's cupola fitted with 7 periscopes and an SE14Z scissor type loader.

A larger 10.5cm L 28 howitzer was installed in around 1,300 units, designated as the Sturmhaubitze 42.

These vehicles became ubiquitous during WWII, not only fighting effectively for the Germans from Normandy to Moscow, but also with the armies of Finland, Italy, Bulgaria and Romania. Some examples fought on well after the war, when Syrian vehicles were destroyed by superior Israeli forces during the Six Day War in 1967.

03.02.8009

READ BEFORE ASSEMBLY

CAUTION

- Read carefully and fully understand the instructions before commencing assembly. A supervising adult should also read the instructions if a child assembles the model.
- When assembling this kit, tools including knives used. Extra care should be taken to avoid personal injury.
- Keep out of reach of small children. Children must not be allowed to suck any part, or pull vinyl bag over their heads.



Optional



Instant Glue for Metal



Be Careful



Drill



Remove

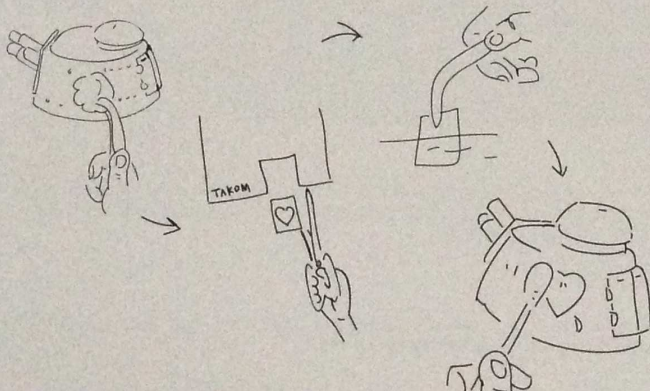
PAINTS REQUIRED

Color info and profiles by Mig Jimenez

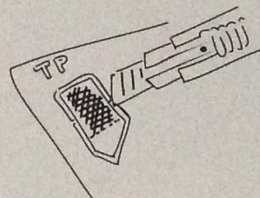
A.MIG-0001	RAL 6003 Olivgrün OPT1	A.MIG-0010	RAL 7028 Dunkelgelb (Mid War)	A.MIG-0015	RAL 8017 Schokobraun	A.MIG-0020	Rubber & Tires
A.MIG-0034	Rust Tracks	A.MIG-0033	Dark Tracks	A.MIG-0045	Gun Metal	A.MIG-0058	Crystal Periscope Green
A.MIG-0099	Crystal Black Blue	A.MIG-0218	RLM 66 Schwarzgrau				

APPLYING DECALS

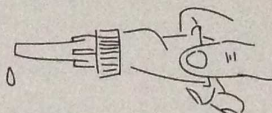
1. Clean the model surface with a wet cloth.
2. Cut out each decal design from sheet, and dip it in tepid water for 15-20 sec.
3. Hold the backing sheet edge and slide decal onto the model.
4. Move decal into position by wetting decal with finger.
5. Press decal gently down with a soft cloth until excess water and air bubbles are gone.



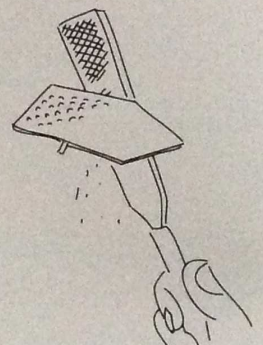
REMOVING PE



Be careful not to hurt when removing PE parts.

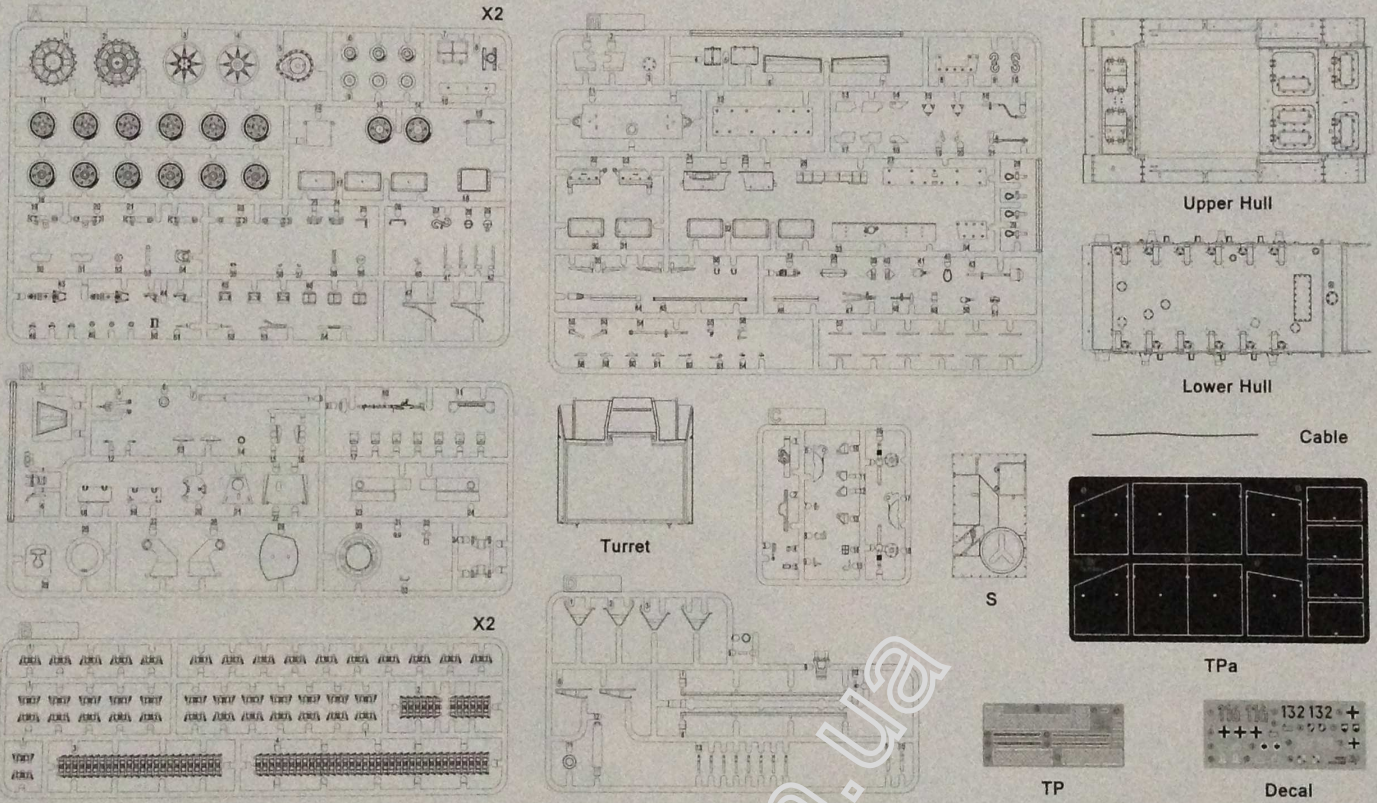


Secure using instant glue (not included).



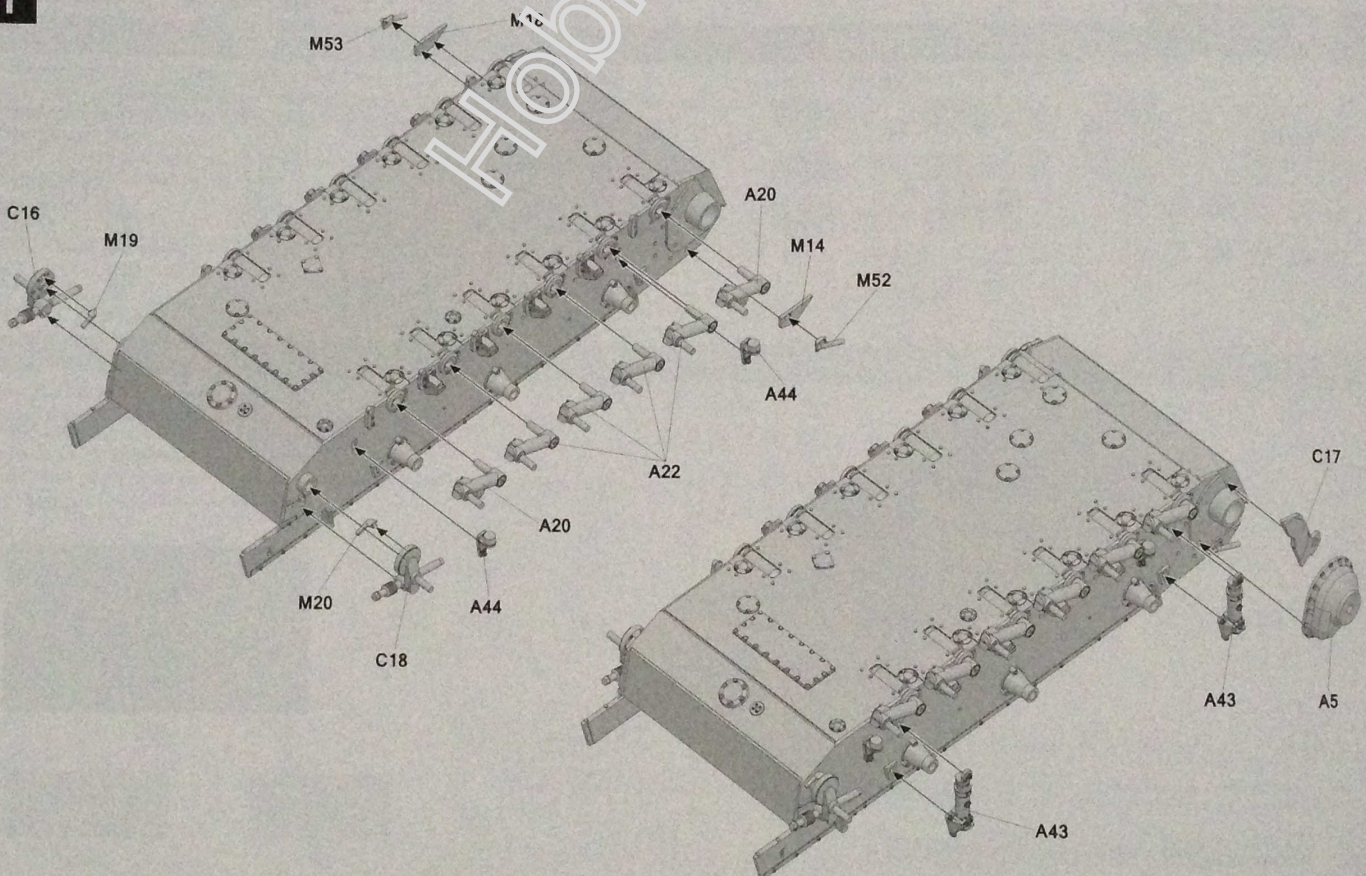
Finish using file.

PARTS



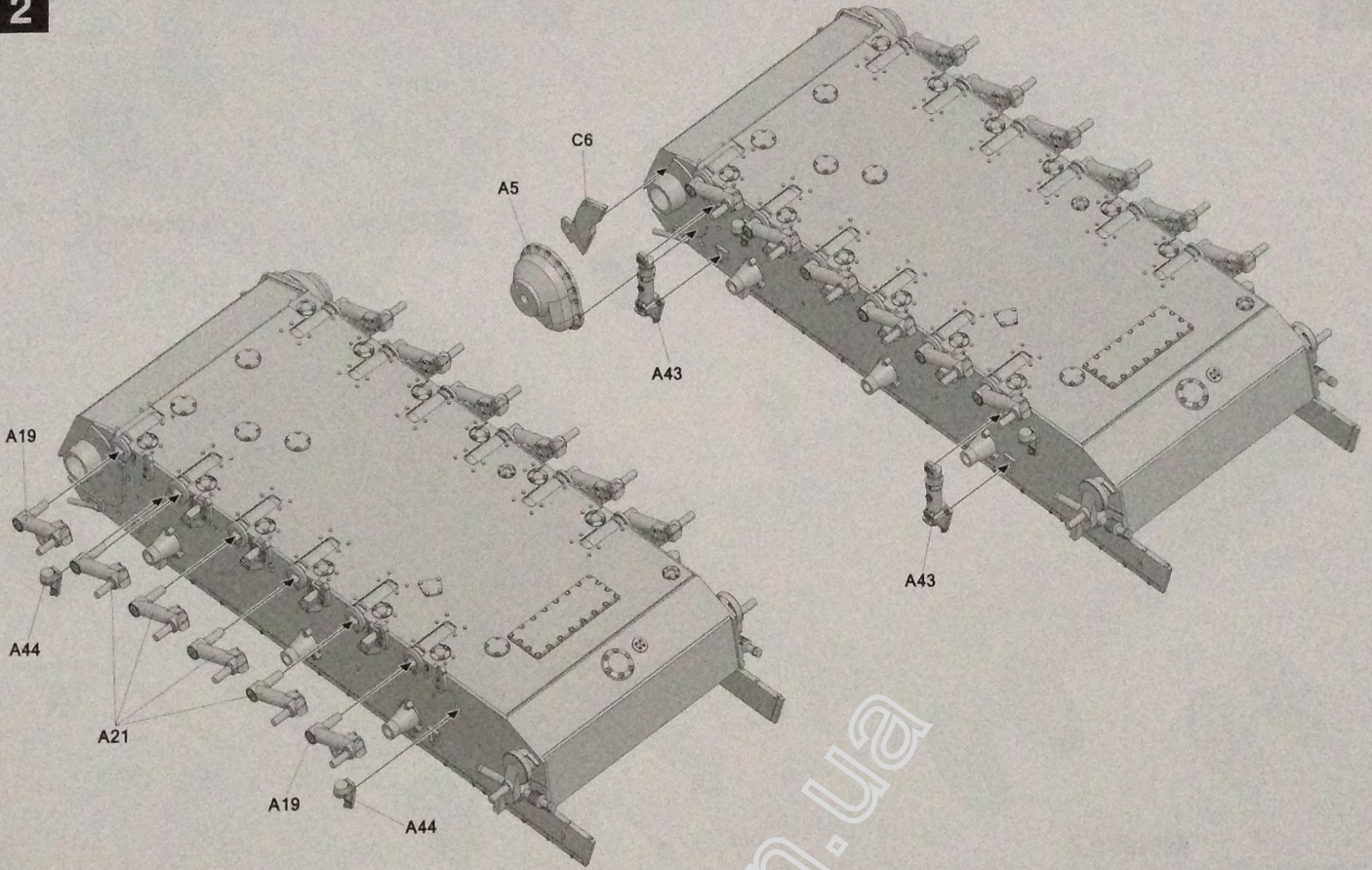
2

1



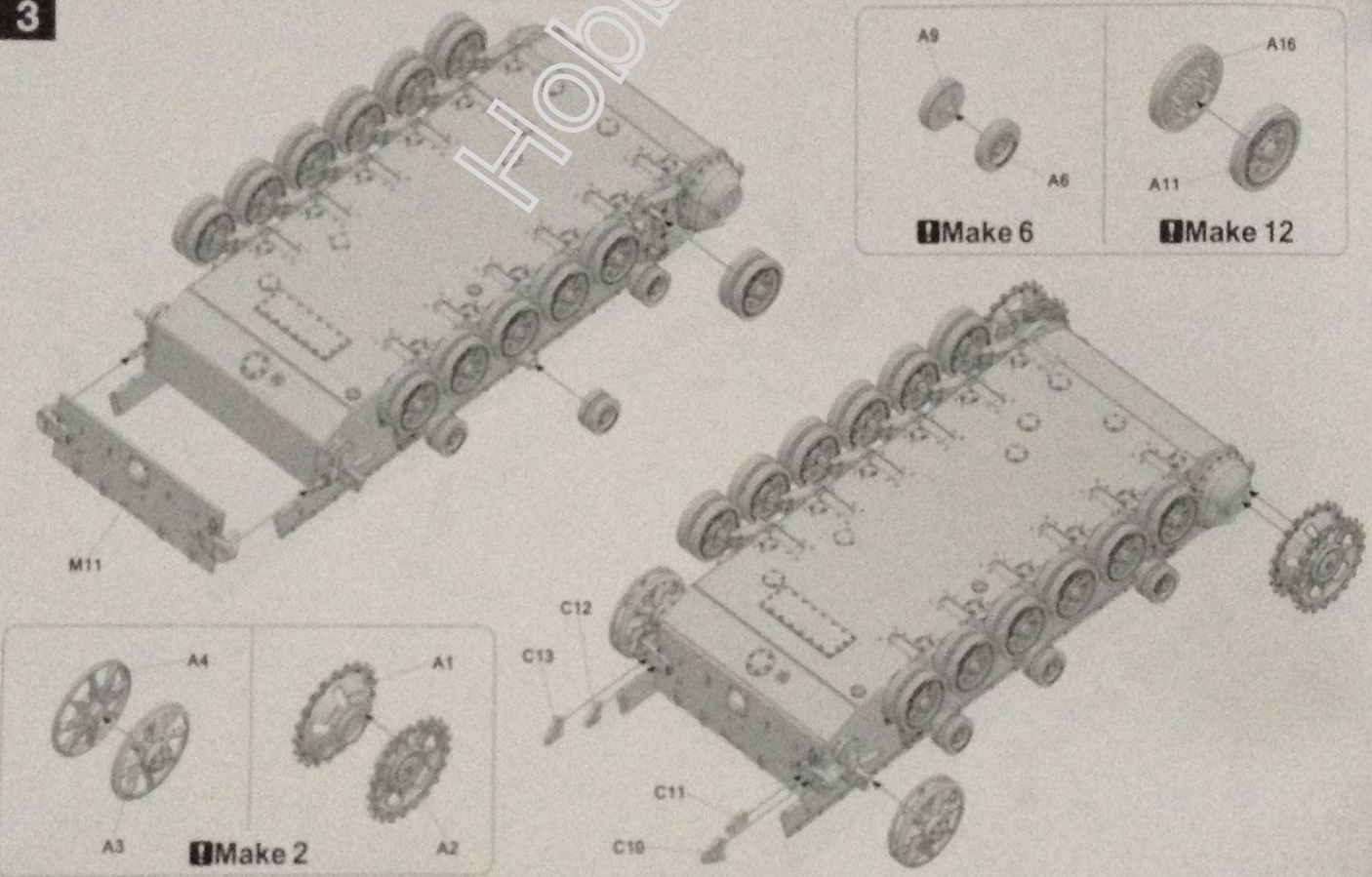
3

2

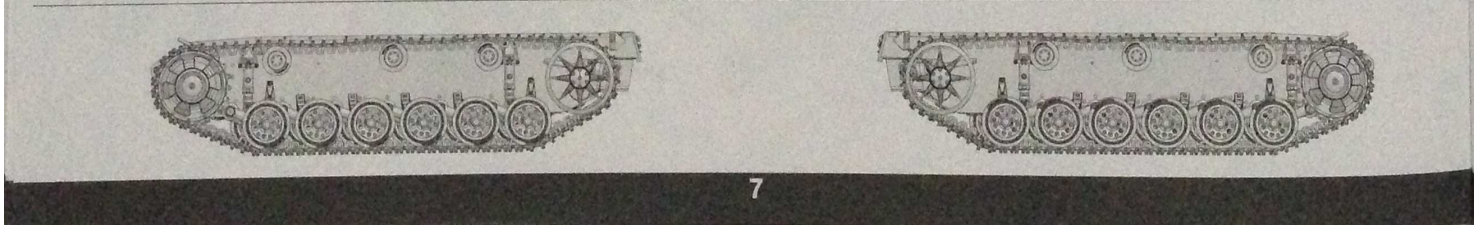
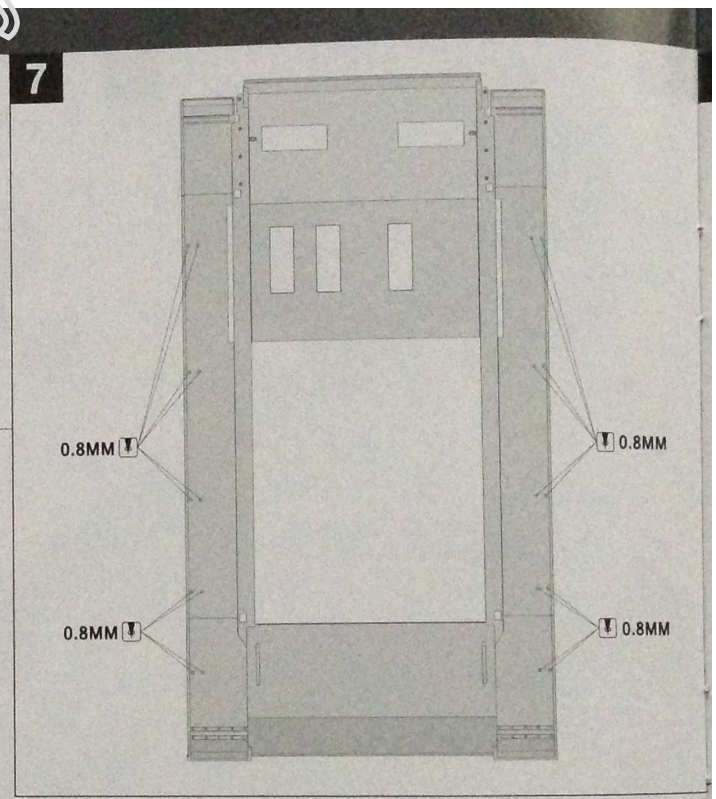
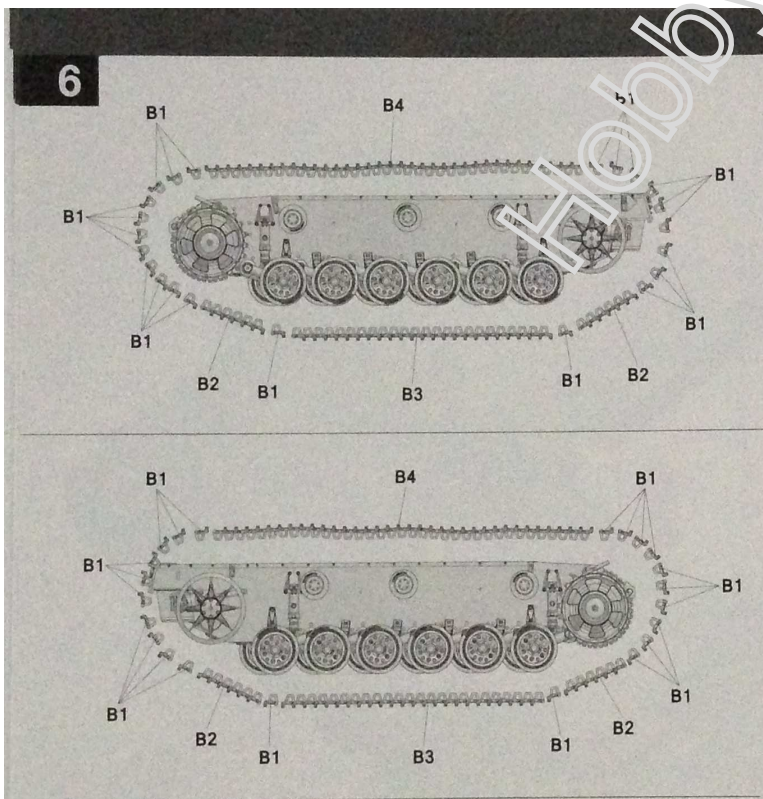
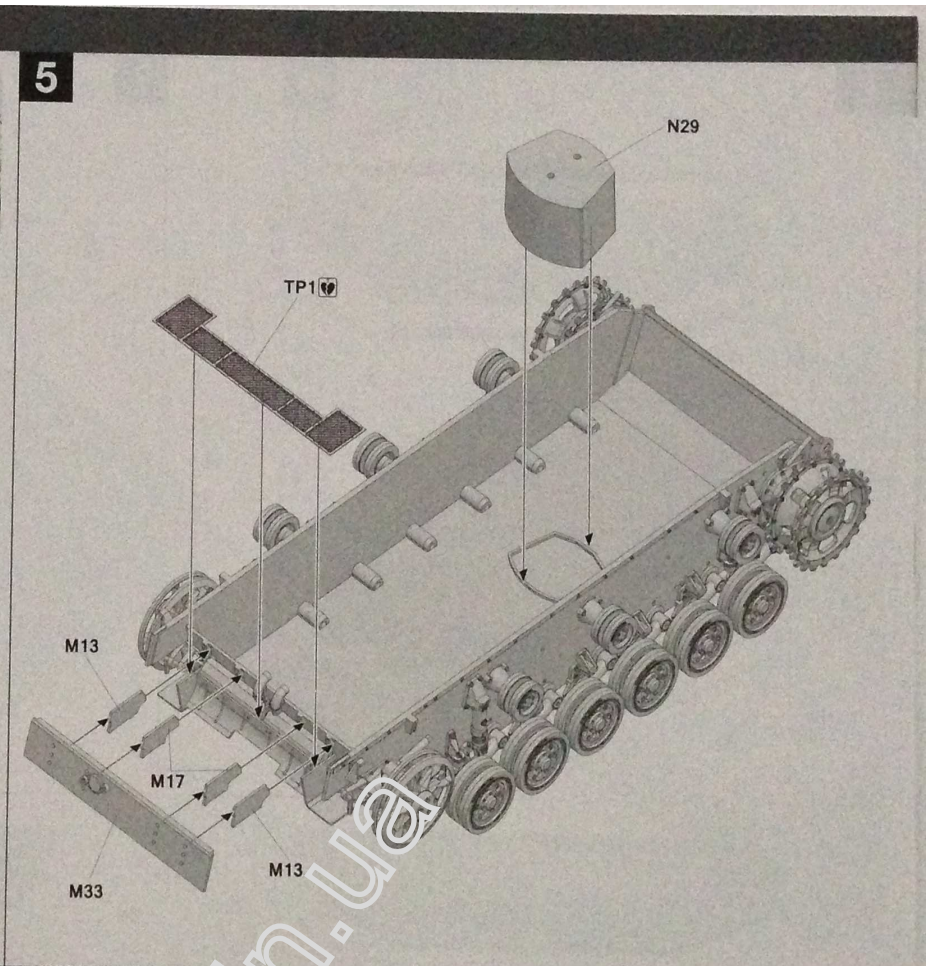
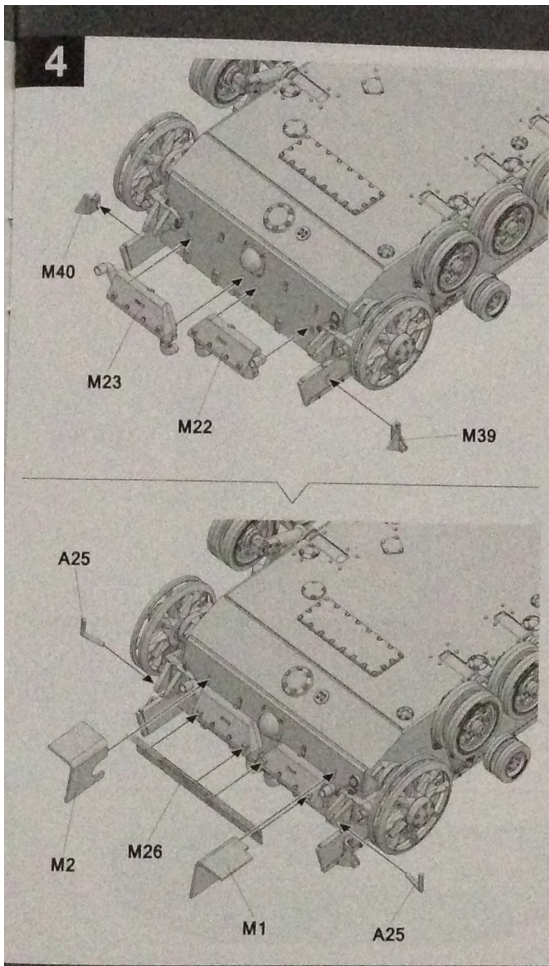


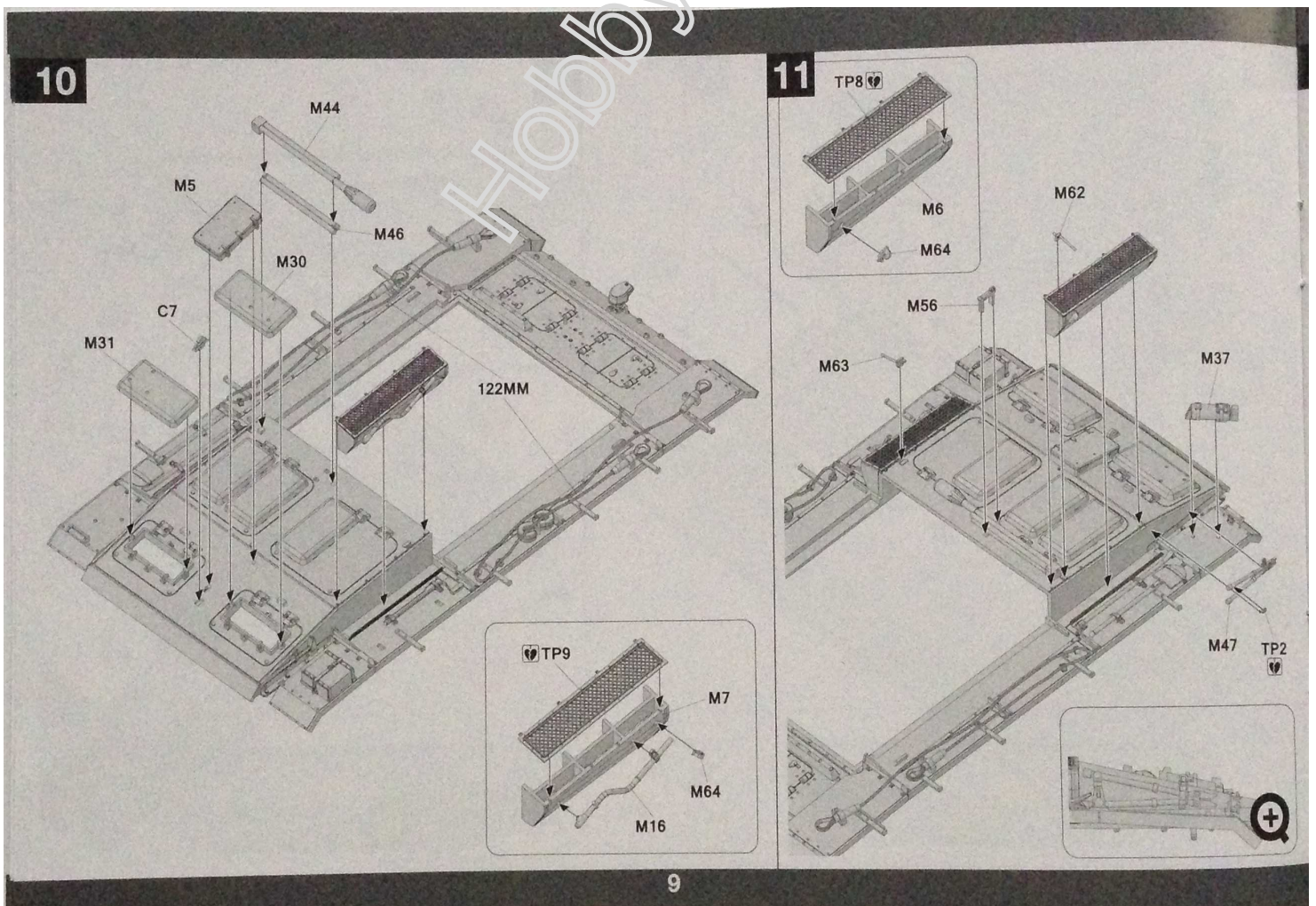
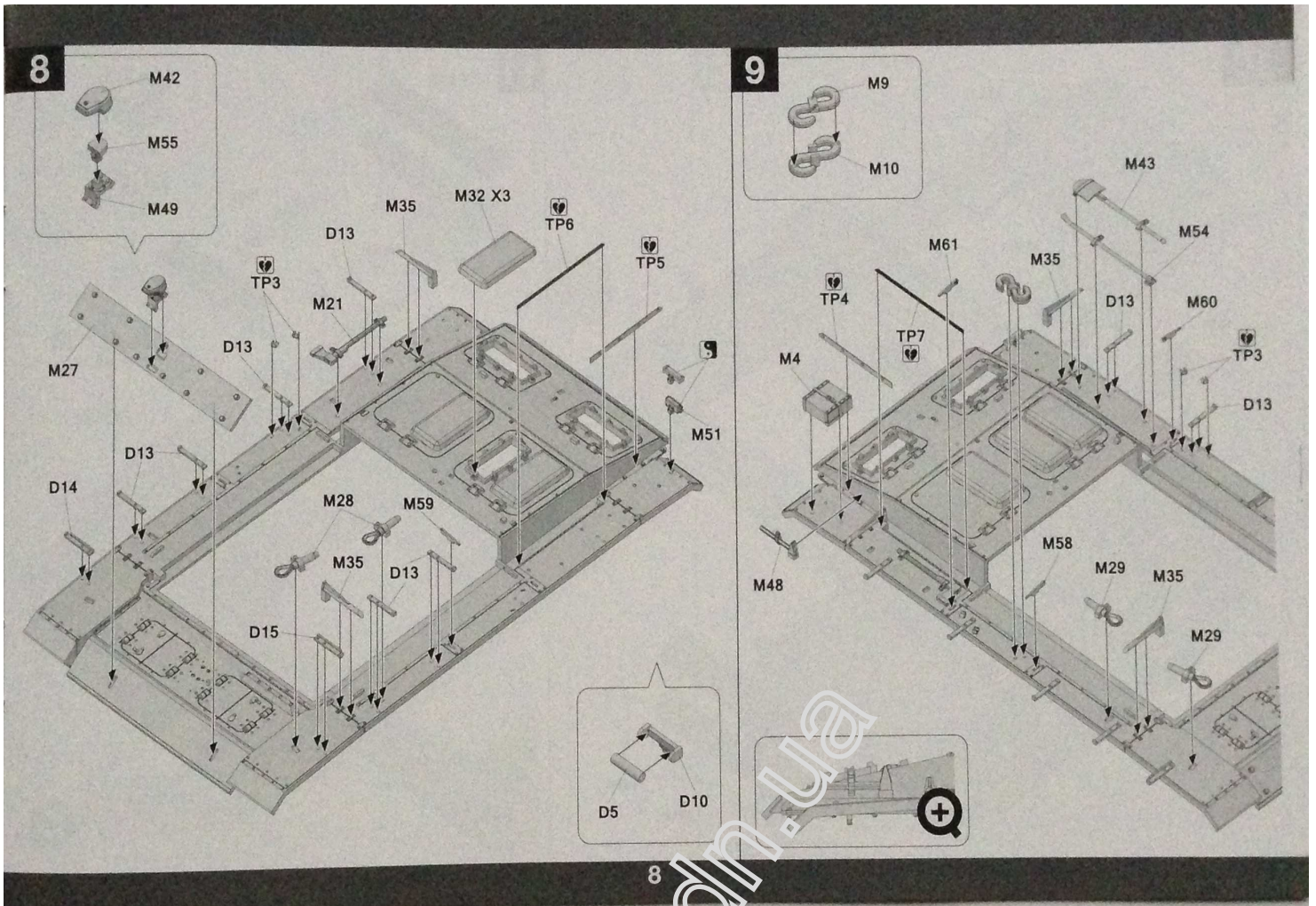
4

3

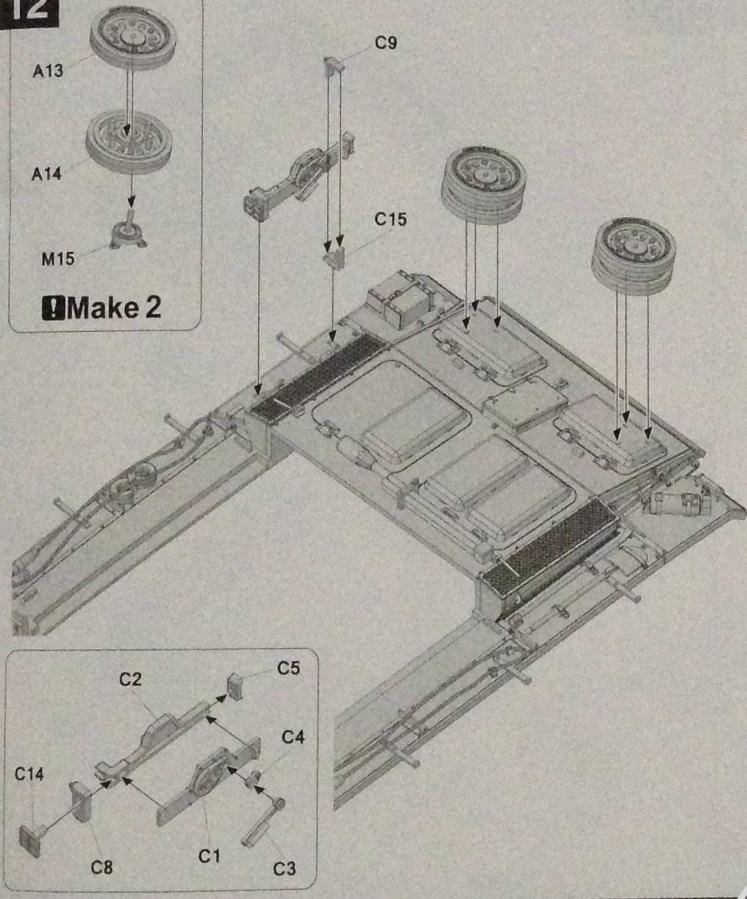


5

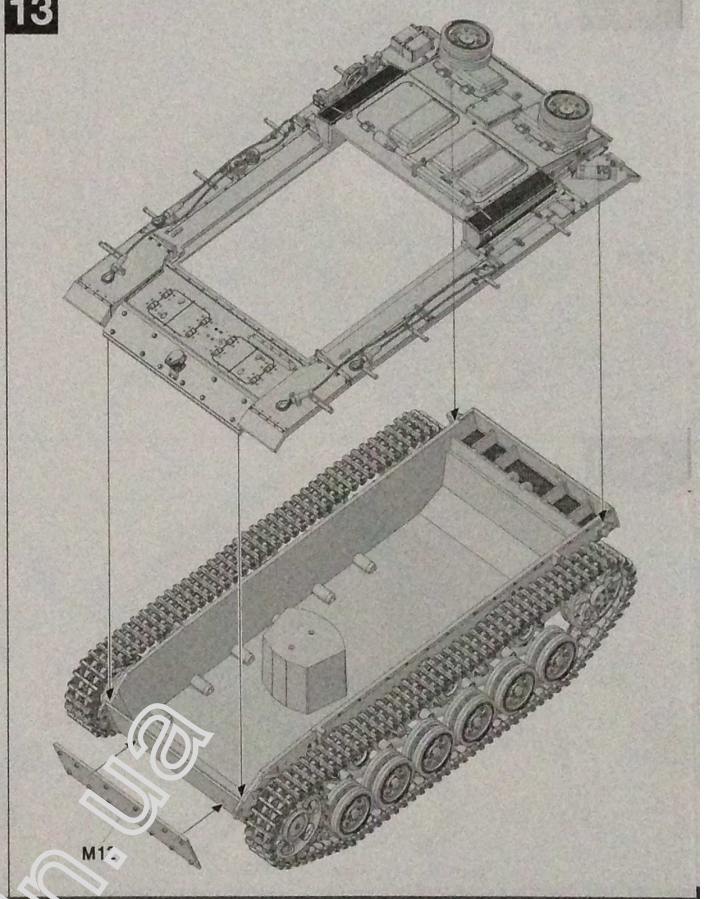




12

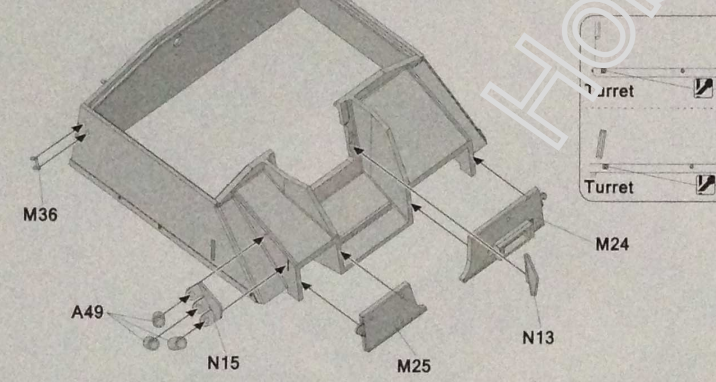


13

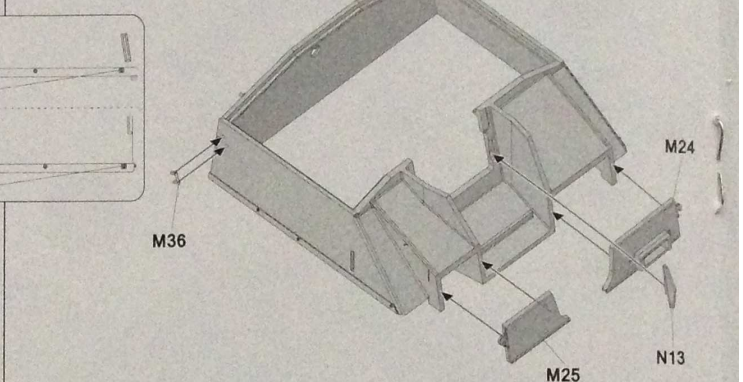


10

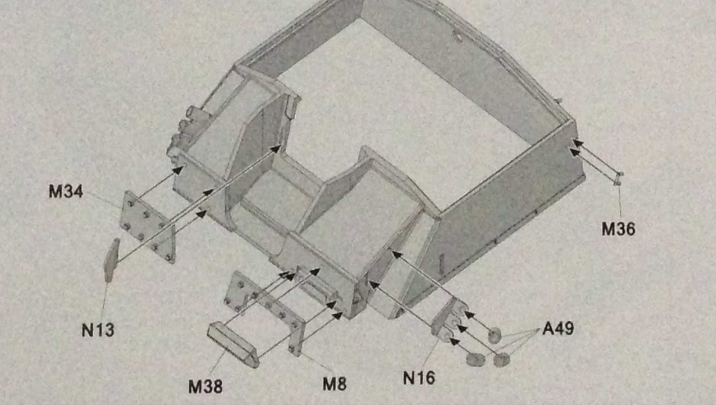
14-1



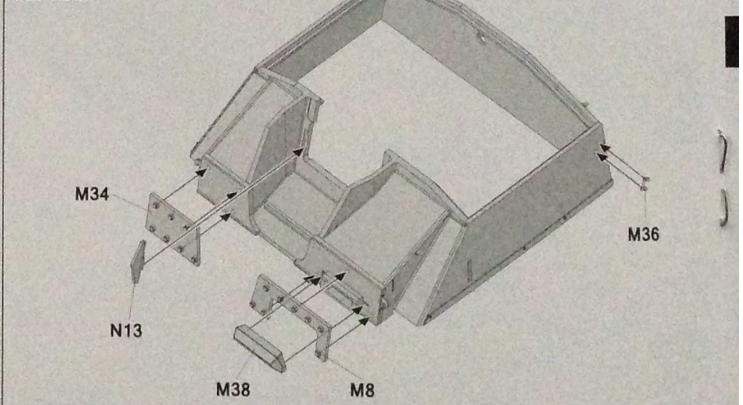
14-2



15-1

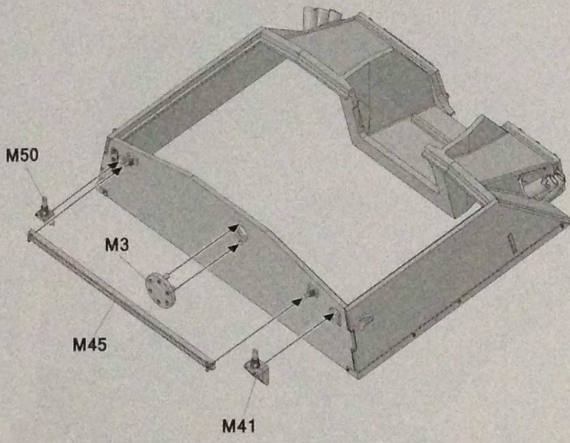


15-2

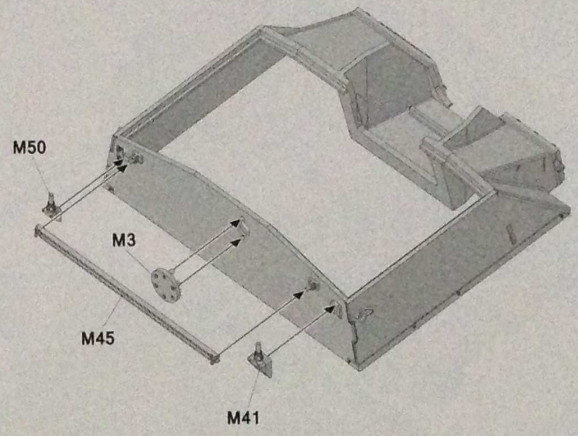


11

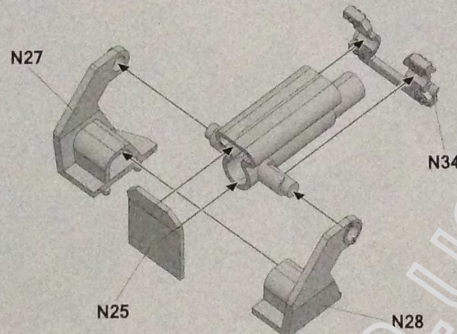
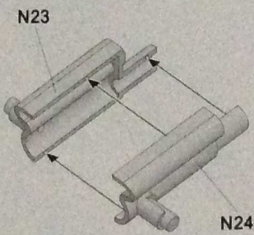
16-1



16-2

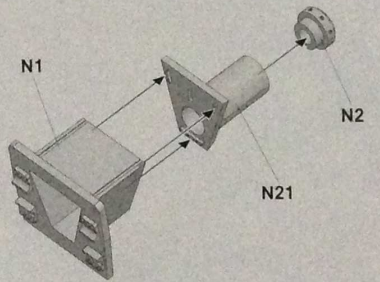


17



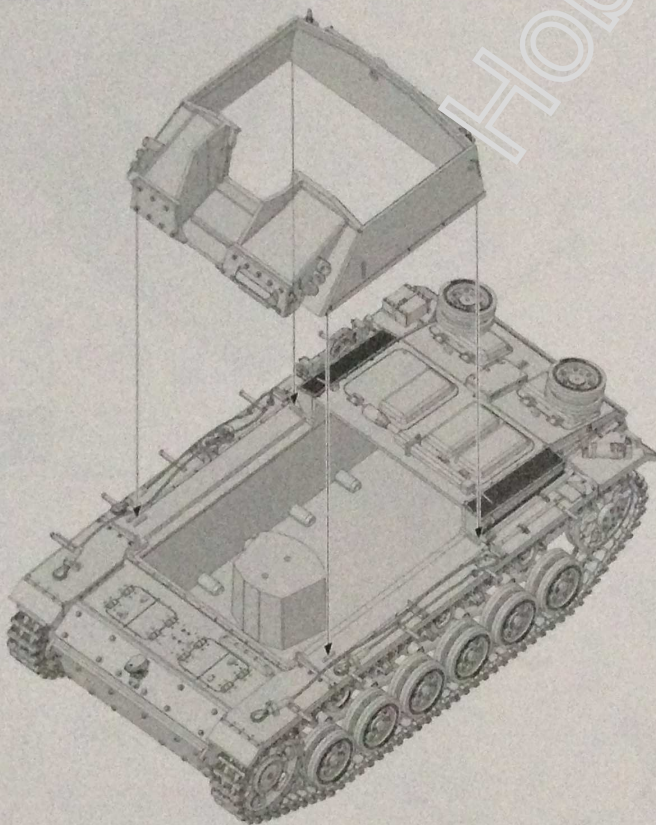
A

B

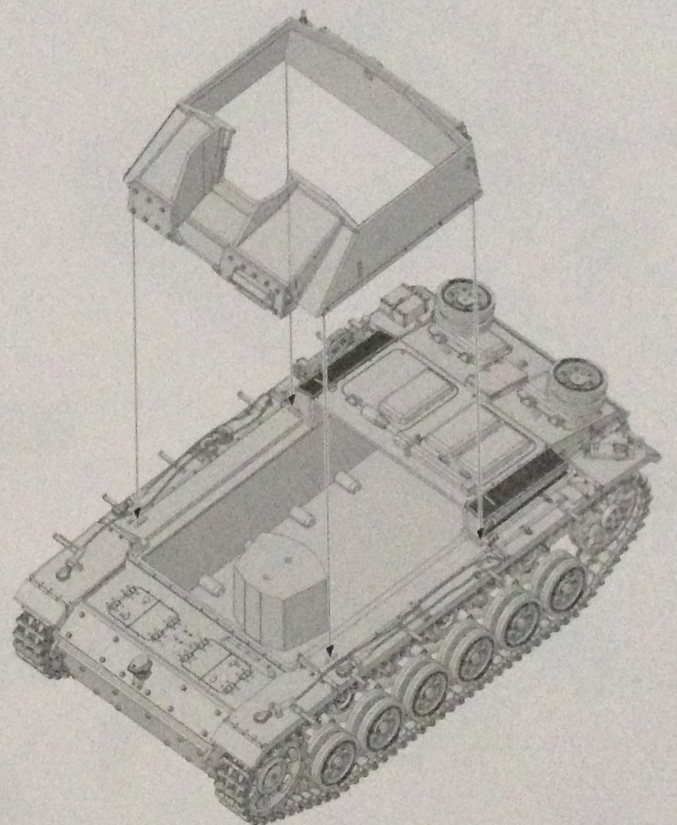


12

18-1

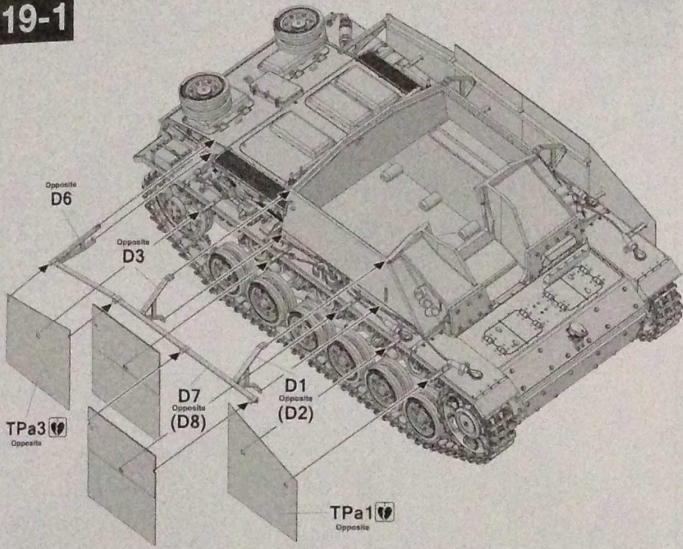


18-2

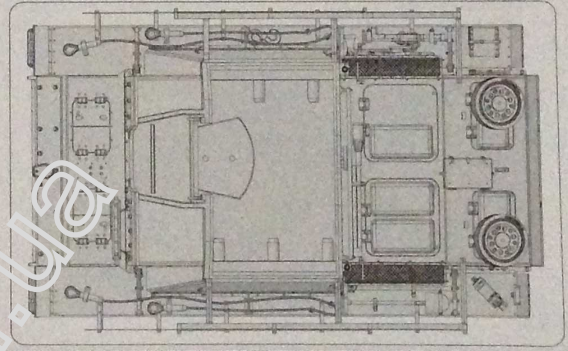
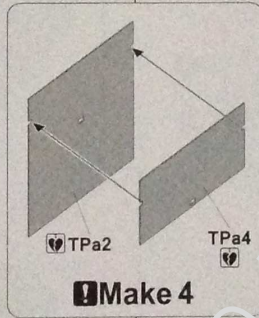
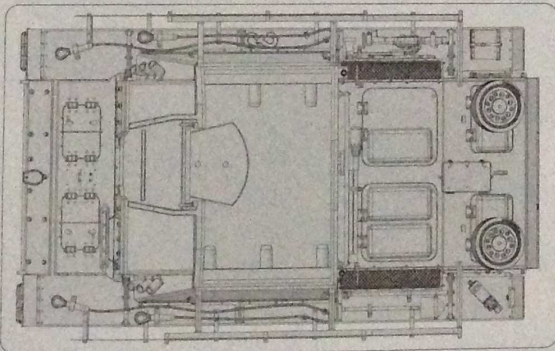
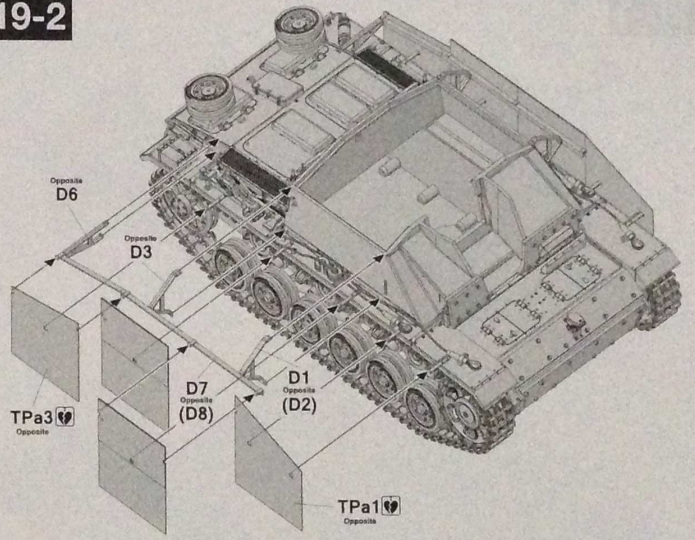


13

19-1

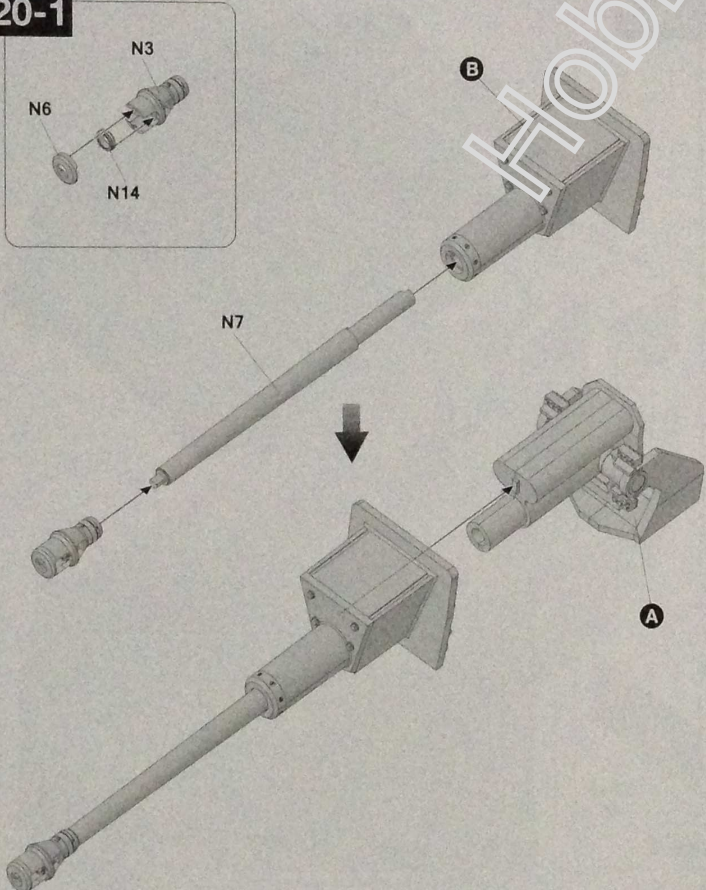


19-2

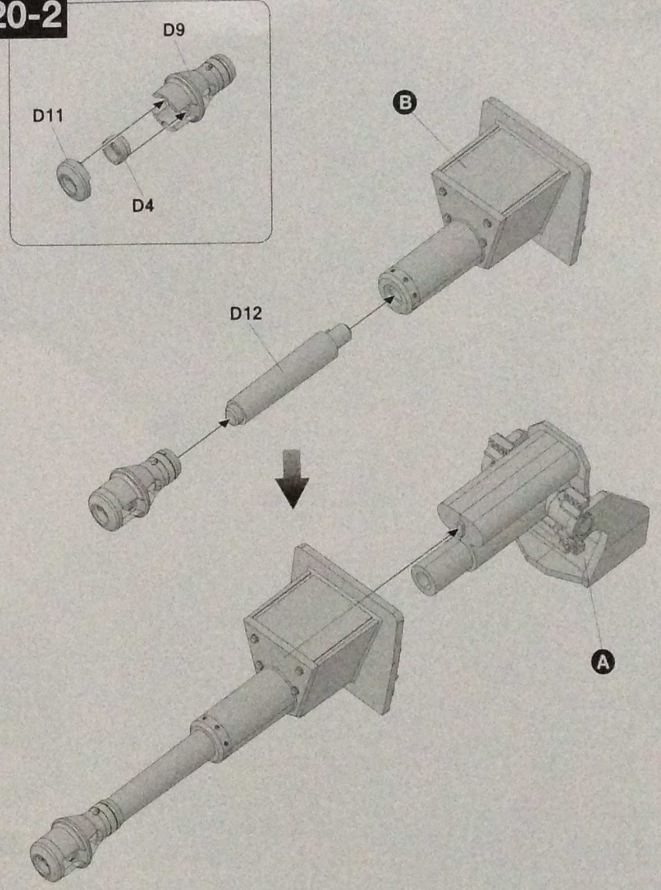


14

20-1

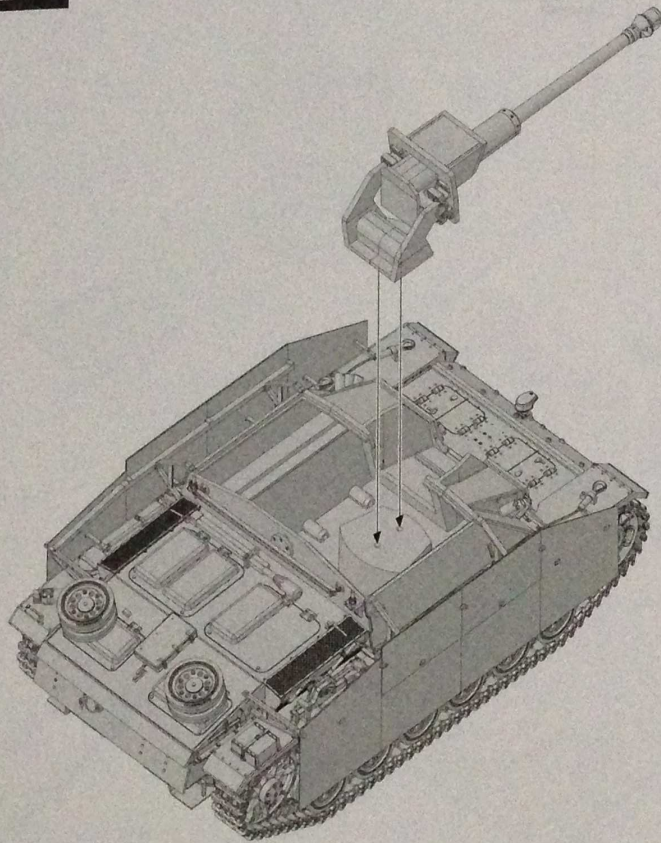


20-2

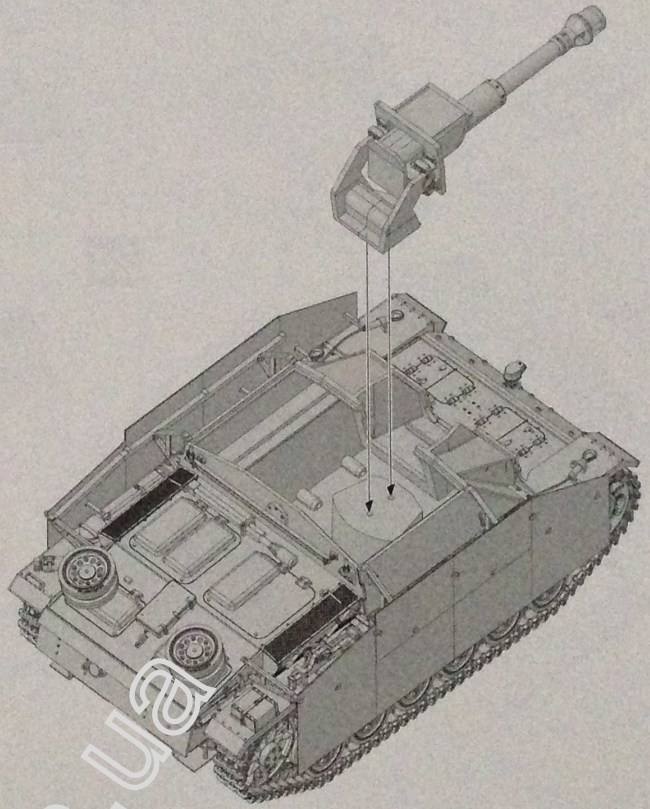


15

21-1

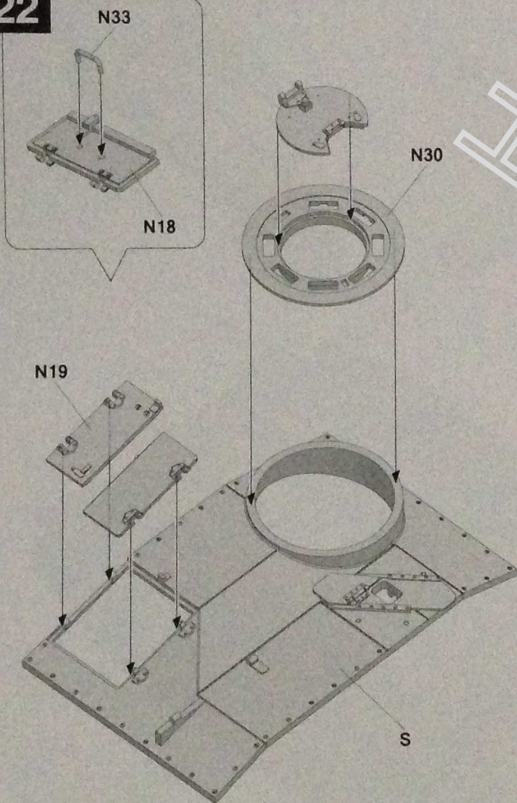


21-2

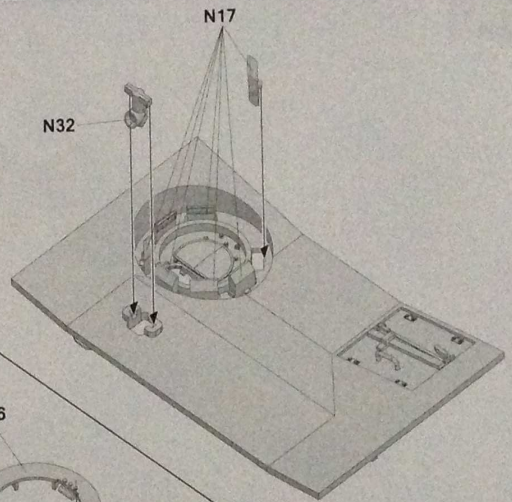


16

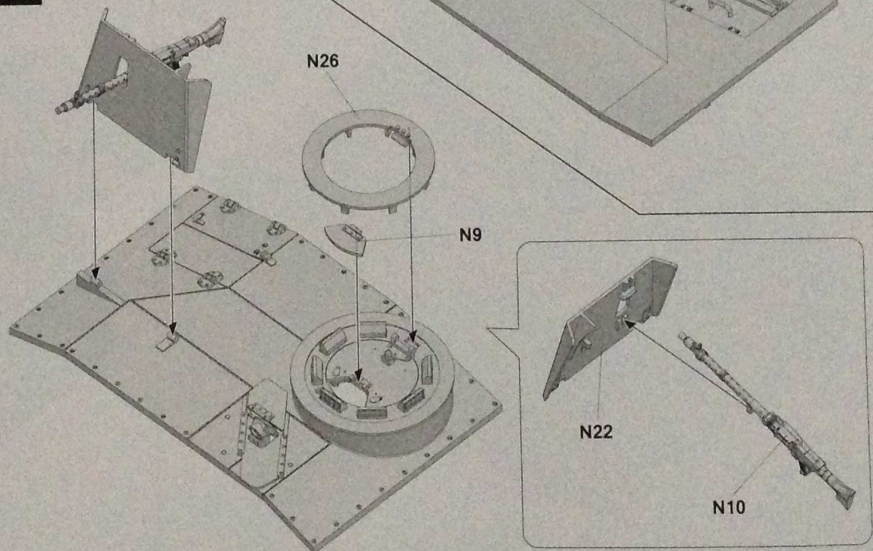
22



23

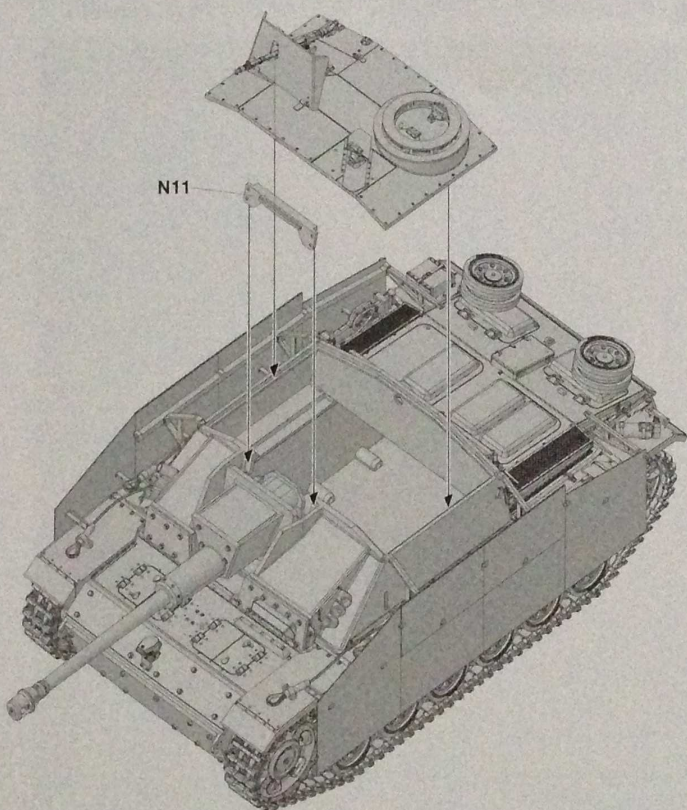


24

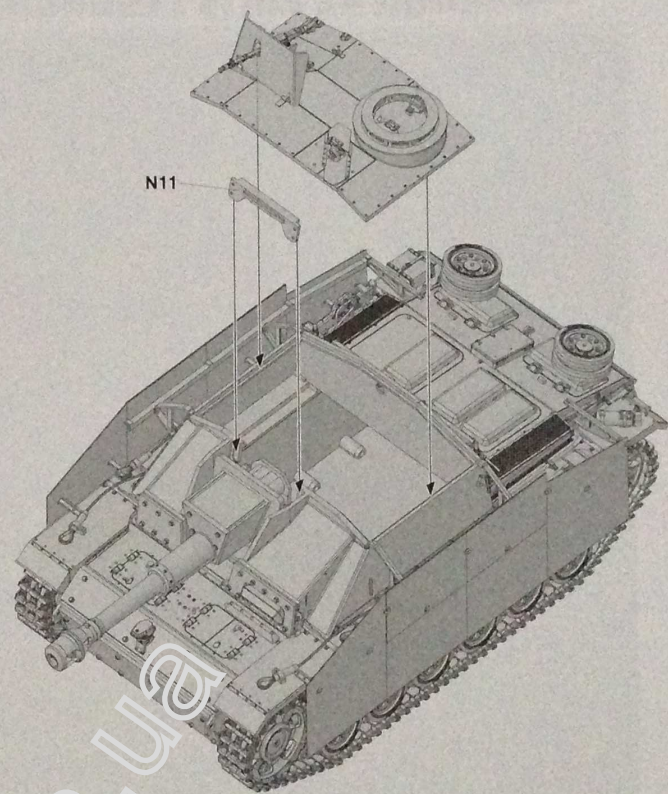


17

25-1



25-2



18

03.03.8006
BLITZ
 by TAMIYA

StuG III Ausf.G Early Production StuH 42 Early Production

AMMO
 by MIG Jimenez
 www.ammo.es

TAMIYA No. 8009

Scale: 1:35
 Number of parts: 172



- RECOMMENDED ACCESSORIES FROM AMMO:
- | | | | | |
|--|--|--|--|---|
| 1. GRAZE TRACK
A.MIG-1280 Green Matt to Simulate Tank Treads | 2. SCREENING
A.MIG-1203 Screening Grille | 3. ROOF
A.MIG-1254 Drinkingwater Roof | 4. WHEEL
A.MIG-1704 Heavy Duty | 5. WHEEL
A.MIG-1400 Road Wheel |
| 6. WHEEL
A.MIG-1811 Street to Tank Wheel | 7. TRACKS
A.MIG-1062 Track Bush | 8. WHEEL
A.MIG-2011 Air-Hot Dust Pigment | 9. WHEEL
A.MIG-1703 Turned Set | 10. WHEEL
A.MIG-1400 Track Engine Oil |

StuG III Ausf.G Early Production StuH 42 Early Production

TAKOM № 8009

Самостоятельная сборка и покраска
Масштаб: 1:48 (1/48)



НЕОБХОДИМЫЕ СТОИМОСТЬ МАТЕРИАЛОВ

1. ОСНОВНОЙ ЦВЕТ A.MIG-1086 Green Wash for German Dark Yellow	2. ЦВЕТ A.MIG-1011 Green for Dark Yellow	3. СТЕКАНИЕ A.MIG-1293 Cracking Green	4. СВЕТ A.MIG-1294 Cracking/Gravelly Sand	5. СВЕТ A.MIG-1406 Fresh Earth	6. СВЕТ A.MIG-1408 Fresh Light O2
7. СВЕТ A.MIG-1002 Trucks Wash	8. СВЕТ A.MIG-2011 Artificial Dust Pigment	9. СВЕТ A.MIG-1763 Tarned Dirt	10. СВЕТ A.MIG-1408 Fresh Light O2	11. СВЕТ A.MIG-1408 Fresh Light O2	12. СВЕТ A.MIG-1408 Fresh Light O2

StuG III Ausf.G Early Production StuH 42 Early Production

TAKOM № 8009

Самостоятельная сборка и покраска
Масштаб: 1:48 (1/48)

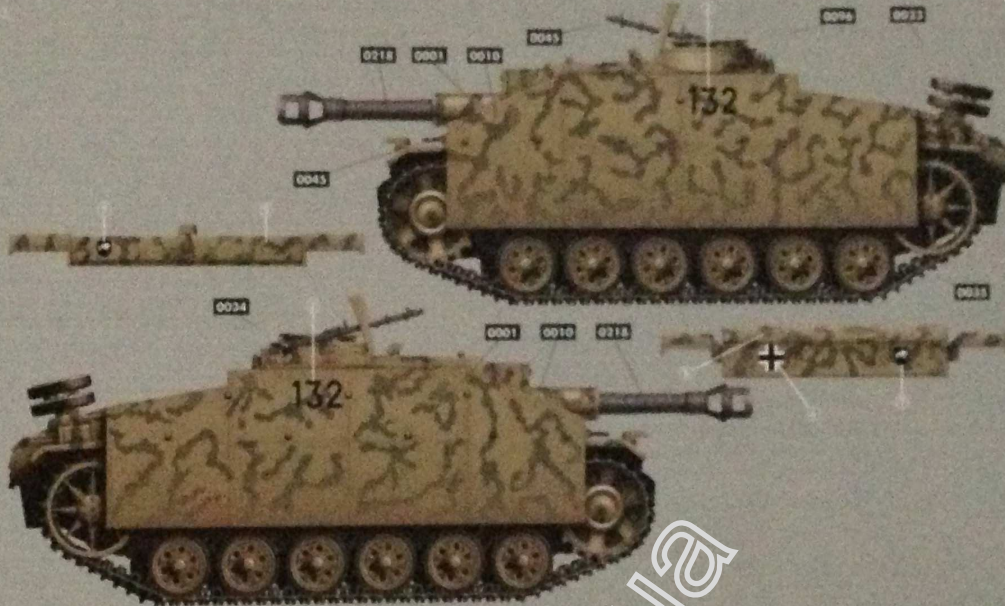


НЕОБХОДИМЫЕ СТОИМОСТЬ МАТЕРИАЛОВ

1. ОСНОВНОЙ ЦВЕТ A.MIG-1086 Green Wash for German Dark Yellow	2. ЦВЕТ A.MIG-1011 Green for Dark Yellow	3. СТЕКАНИЕ A.MIG-1293 Cracking Green	4. СВЕТ A.MIG-1294 Cracking/Gravelly Sand	5. СВЕТ A.MIG-1704 Heavy Earth	6. СВЕТ A.MIG-1408 Fresh Light O2
7. СВЕТ A.MIG-1002 Trucks Wash	8. СВЕТ A.MIG-2011 Artificial Dust Pigment	9. СВЕТ A.MIG-1763 Tarned Dirt	10. СВЕТ A.MIG-1408 Fresh Light O2	11. СВЕТ A.MIG-1408 Fresh Light O2	12. СВЕТ A.MIG-1408 Fresh Light O2

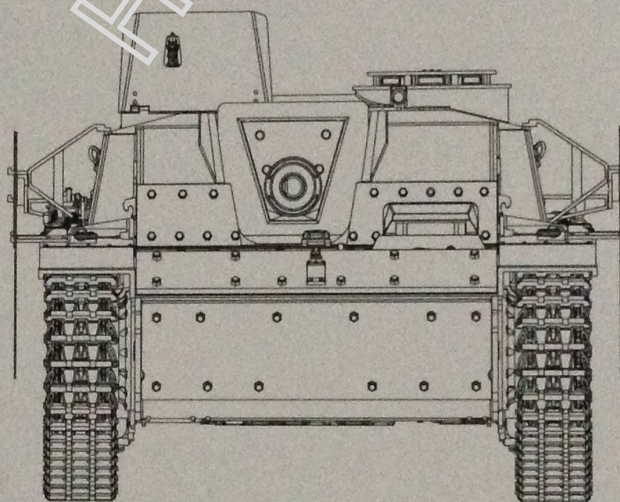
TAKOM No. 8009

Scale: 1:48
Length: 190 mm
Height: 65 mm



RECOMMENDED ACCESSORIES				
1. BRASS PARTS	1. STRENGTHENERS	1. WHEELS	2. GLASS	3. TRACKS
A.MIG-1200 Drive Wheel for German Tank Index	A.MIG-1203 Strengthening Drum	A.MIG-1254 Drive/Idler Wheel	A.MIG-1794 Glass Parts	A.MIG-1428 Track Links
2. TRACKS	4. TRACKS WHEELS	A.MIG-1011 Archer Steel Figure	A.MIG-1429 Track Guide 20	
A.MIG-1211 Drive for Tank Index	A.MIG-1002 Track Wheel	A.MIG-1013 Archer Steel Figure		

2022/8009



You can find TAKOM on Facebook.com