

# 32001

產品編號: 32001



## scale 1/35

1:35 比例

### 1/32 US Army Tug Clarktor-6 Mill-33

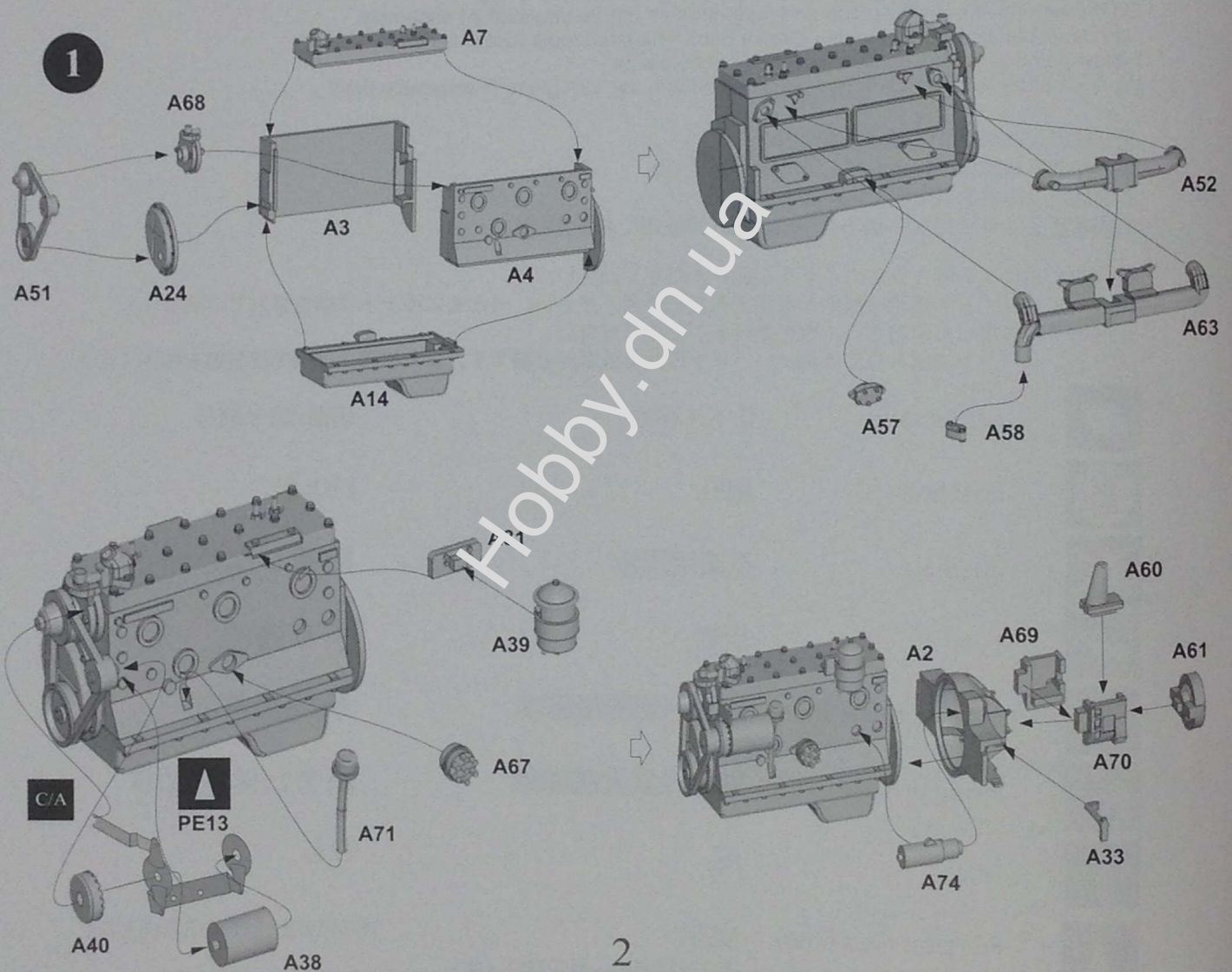
Go through this assembly guide and understand it before you start kit assembly  
 Use usual plastic kit's cements (Tamiya Extra Thin) and tools (not included in the kit)  
 Follow painting guide supplied, use only hobby paints  
 Work carefully with photo etched parts if included, use C/A glues to assemble them

請您在組裝此產品前仔細閱讀組裝指南;  
 請使用通用塑膠模型黏合劑和工具(本產品不附帶);  
 本產品所以提供的噴塗指南只適用本於模型;  
 如果本產品含有蝕刻套件,請小心仔細處理,請使用C/A膠水組裝。

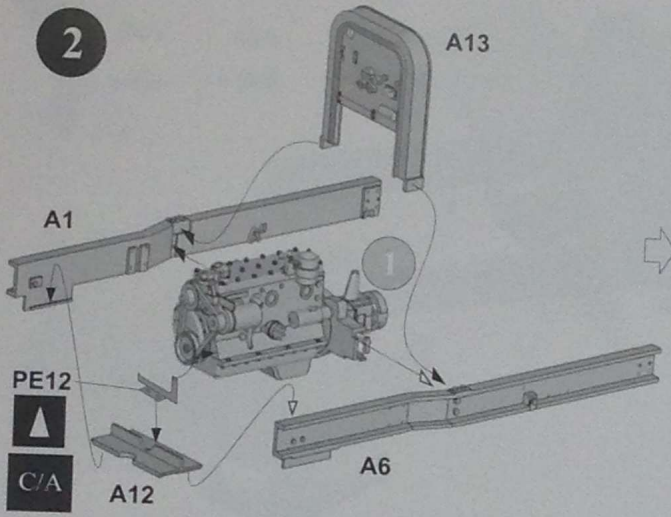
組み立て前にこの組み立てガイドをご覧ください。  
 プラスチックキット専用接着剤と専用工具をご使用ください。(ともにキットには含まれていません)  
 塗装ガイドに従ってください。専用塗料をご使用ください。  
 エッチングパーツの組み立ては細かいパーツのため注意が必要です。また接着には瞬間接着剤を使用してください。

	cut/remove	切下 / 移除	切断/切り離し
	drill hole	鑽孔	ドリル穴
	no glue	不適用膠水	接着しない
	bend	折彎	折り曲げ
	cyanoacrylate glue	氰基丙烯酸酯膠水	瞬間接着剤
	string or wire	細繩或者金屬絲線	糸または金属線
	rope	繩	ひも
	PE - press rivets (lines) from the etched off side	蝕刻片 - 請从蚀刻掉的一侧压铆钉 (线)	ラインやリベット部分を未エッチング面から圧を与える

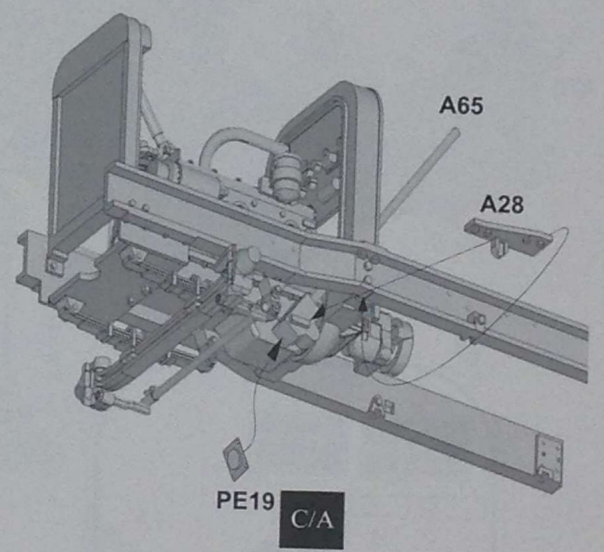
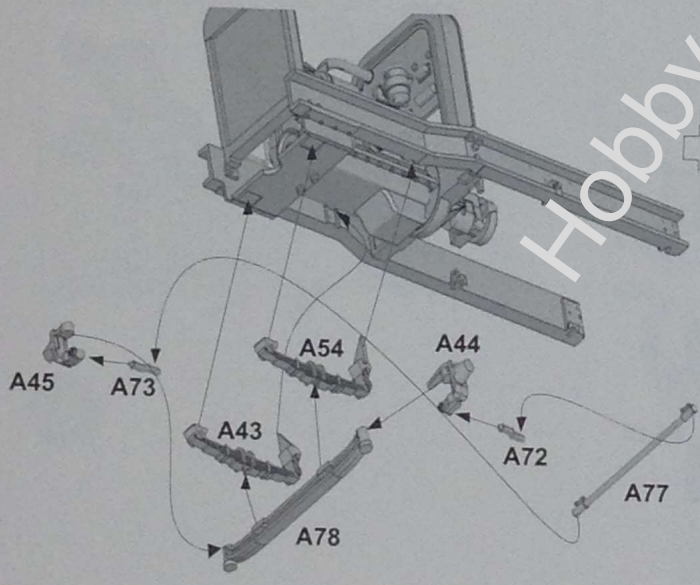
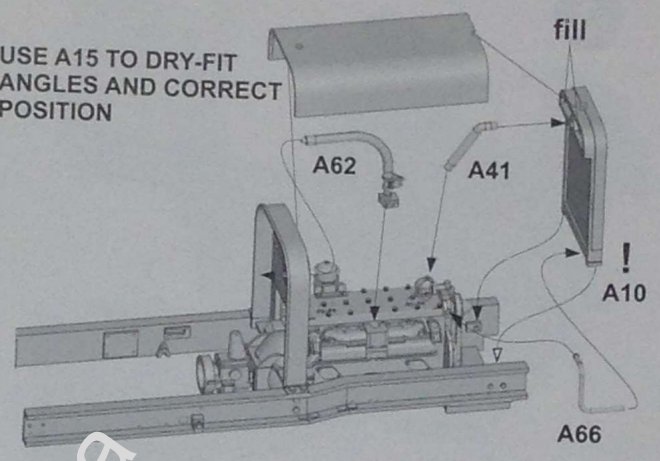
Production of the Clarktor-6 began in 1942 and ended in 1966. Between 1941 to 1945, CLARK produced almost 90 percent of the military requirements for fork lift trucks and tow tractors. During WWII there was not an air field under Allied control that did not have a CLARK tow tractor. The Clarktor 6 was powered by a water-cooled Chrysler six-cylinder 230-cid flathead gasoline engine of 6 2hp, with a three-speed gearbox that could reach a maximum speed of 15 mph. Production began in 1942, and by the end of the war Clark had delivered thousands of different cargo handling vehicles, including an order for more than 1,500 Clarktor 6s for the British Royal Air Force. These were built as a version designated "BH", standing for 'British Heavy', and supplied to Ministry of War Transport for the RAF under the Lend Lease Act. Mill-33 is the lighter variant of the tug, with single rear wheels, and a drawbar capacity of over 2 tons and a towing capacity of 90 tons, allowing it to handle all types of bomb trailers and aircraft, including the heavy bomber aircraft in service with the USAAF and the RAF



2

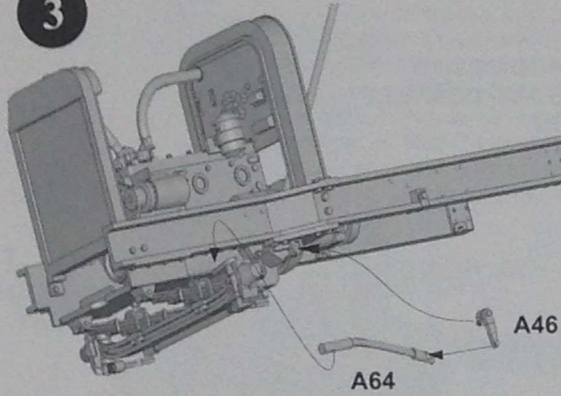


USE A15 TO DRY-FIT ANGLES AND CORRECT POSITION

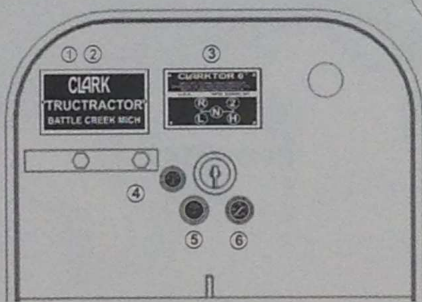
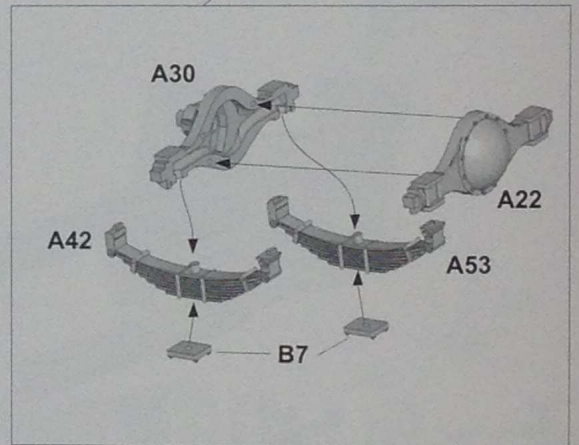
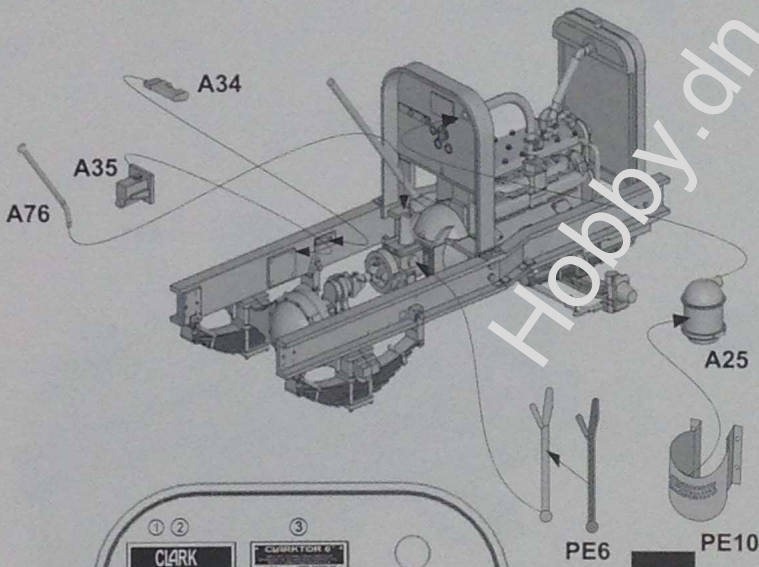
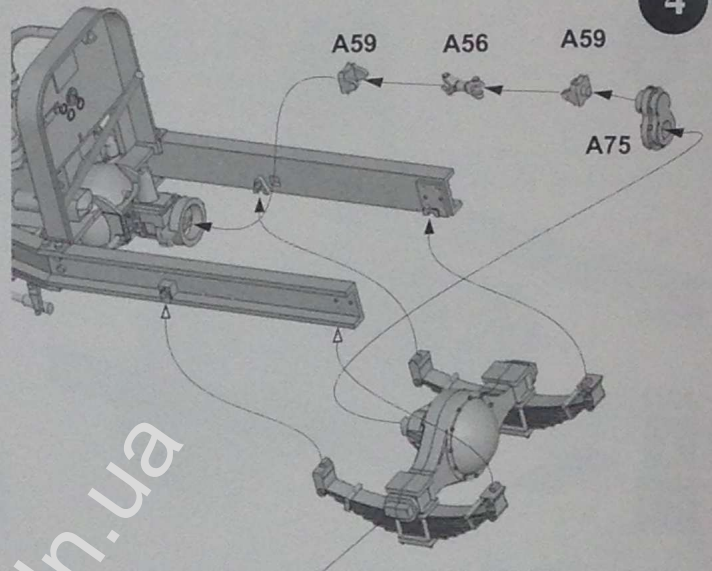


3

3



4



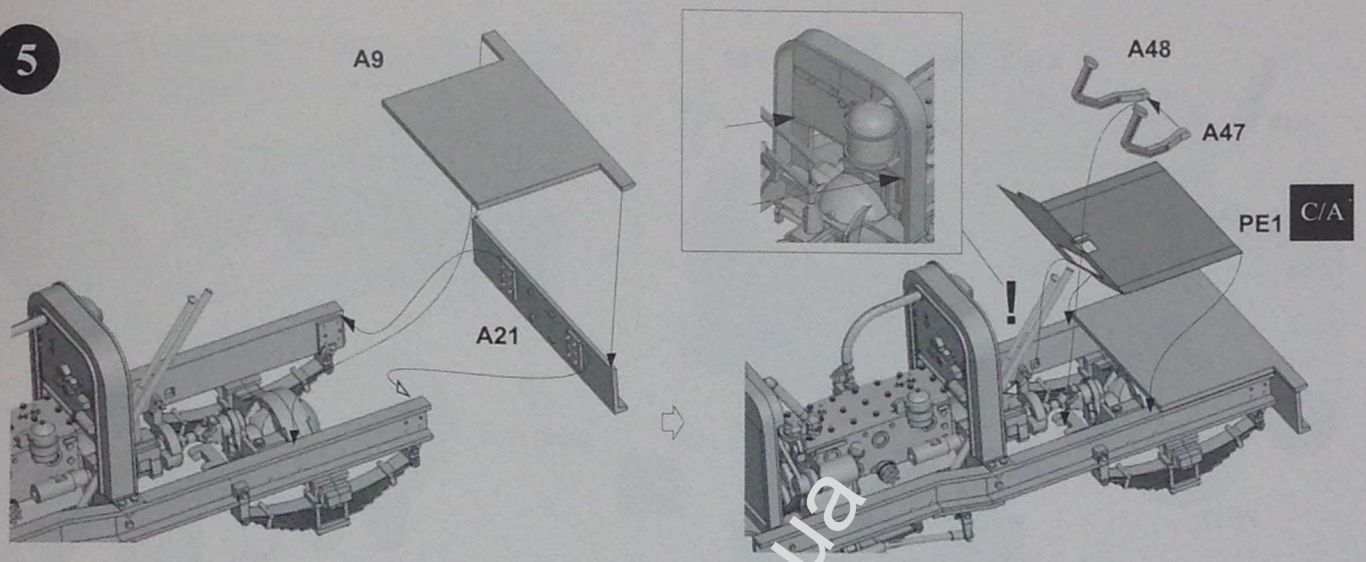
INSTRUMENT DECALS PLACEMENT over Black Background

C/A

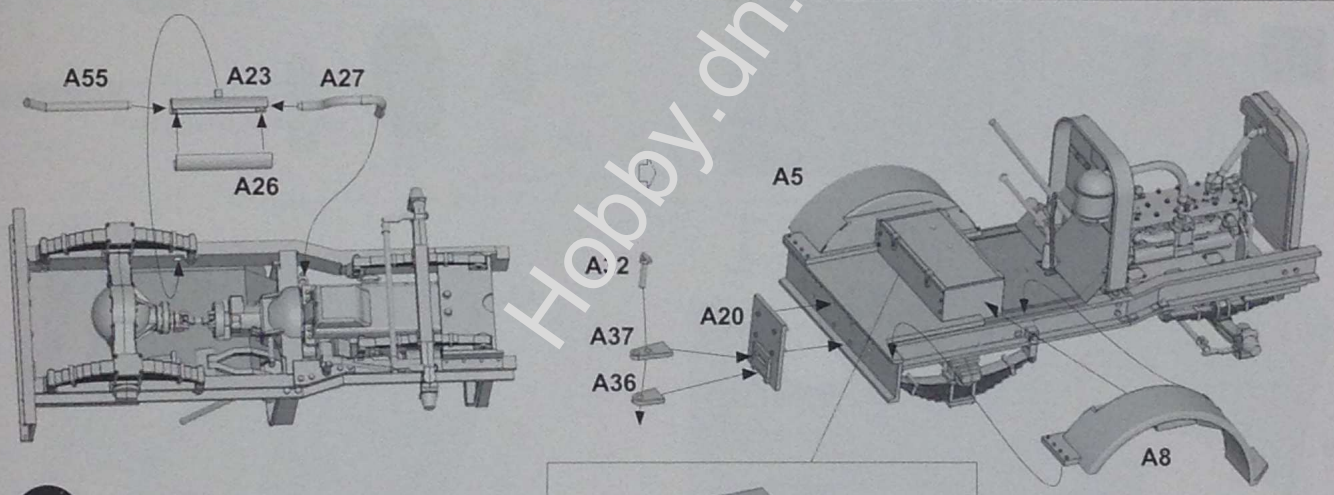
4

Hobby-dn.ua

5

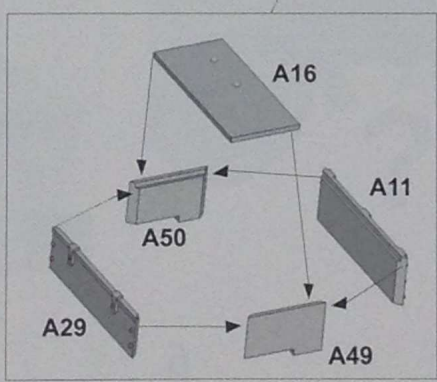


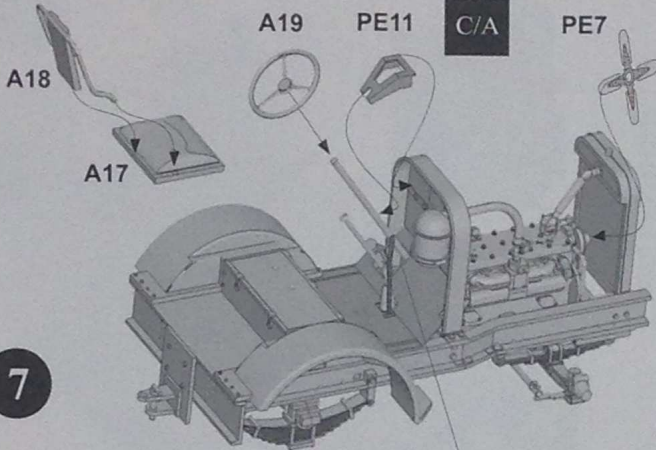
6



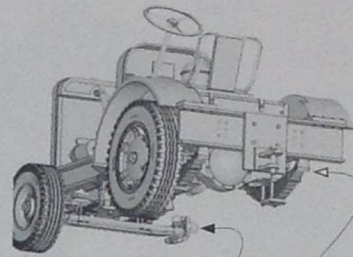
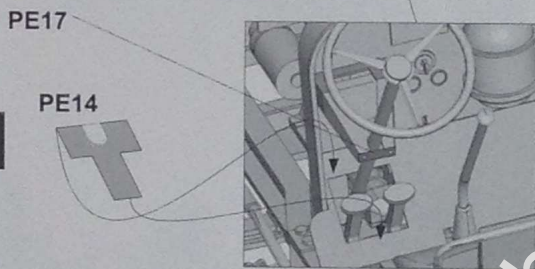
6

5

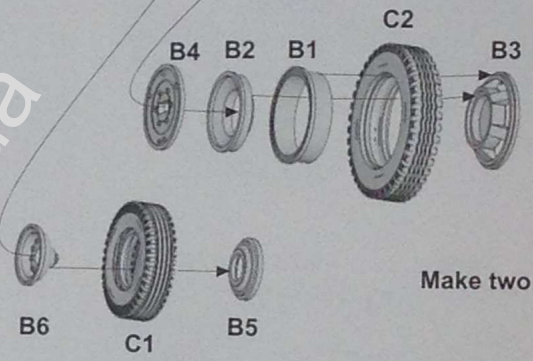




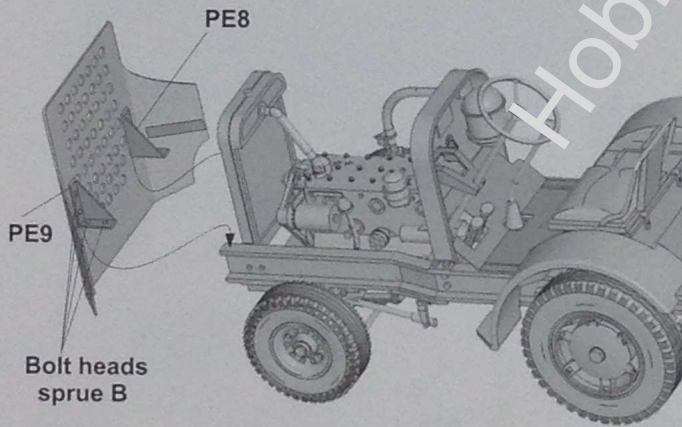
7



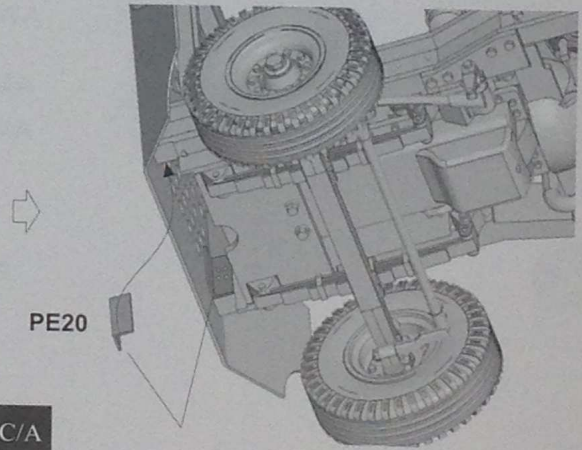
8



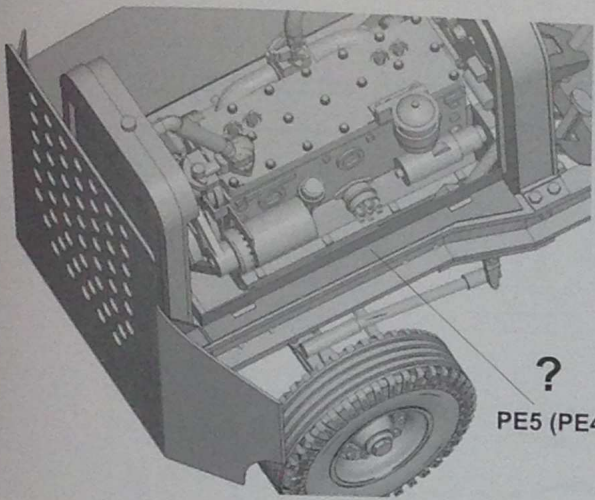
Make two



9

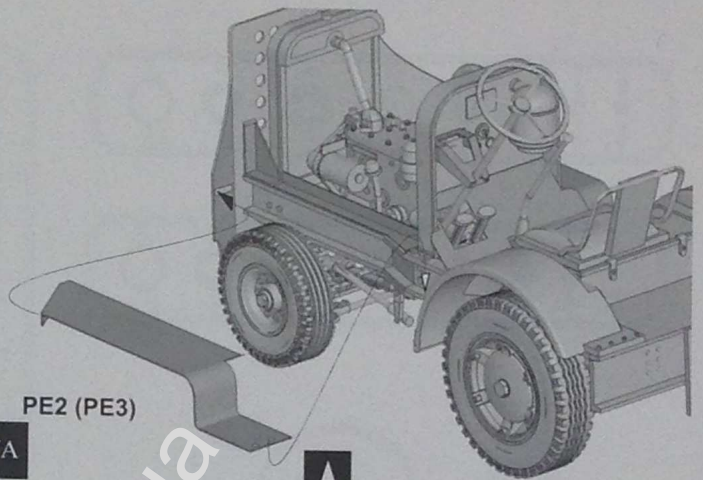


C/A



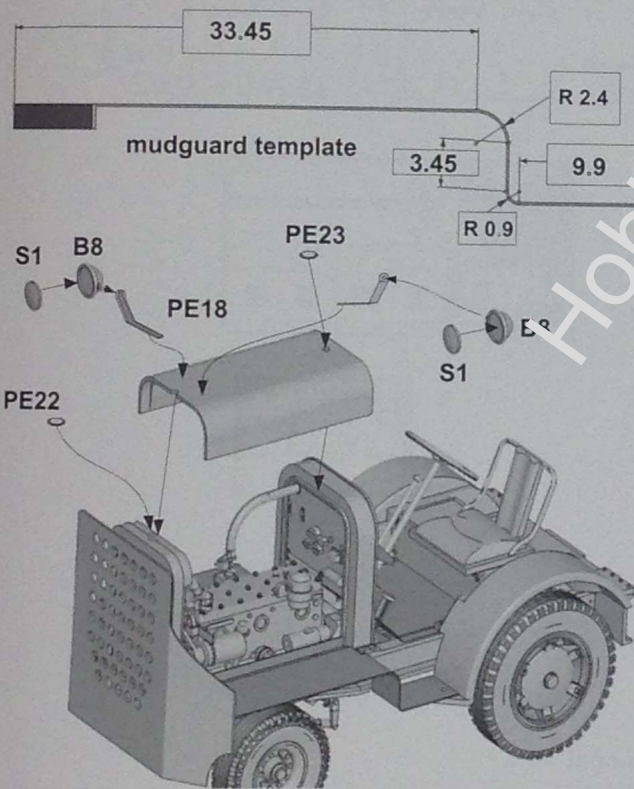
?

PE5 (PE4)



PE2 (PE3)

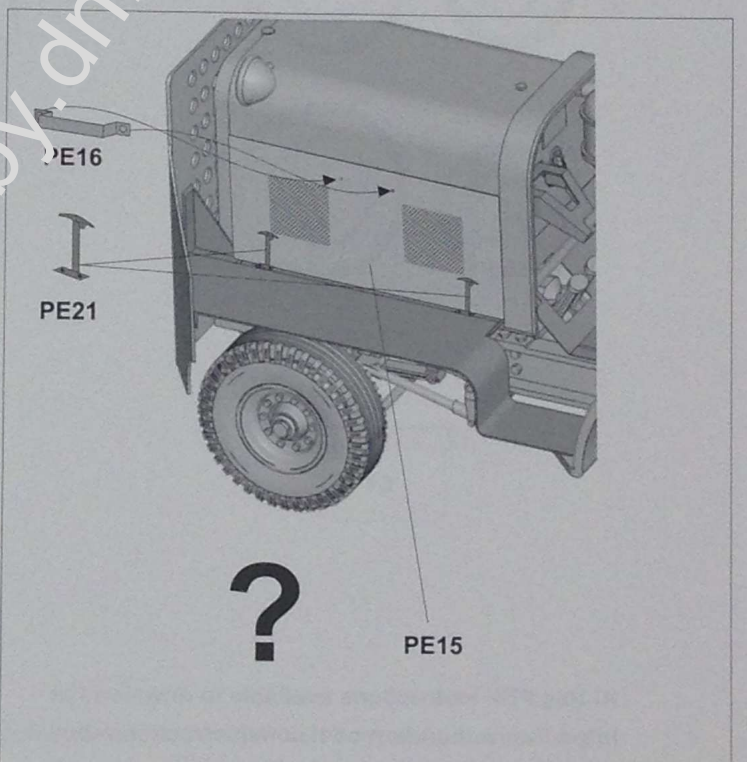
C/A



33.45

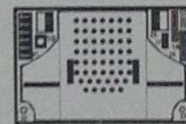
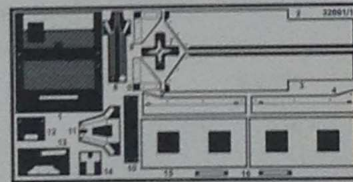
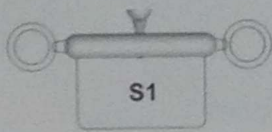
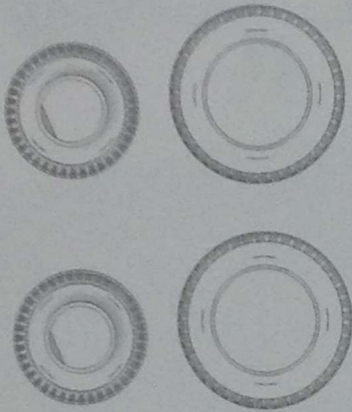
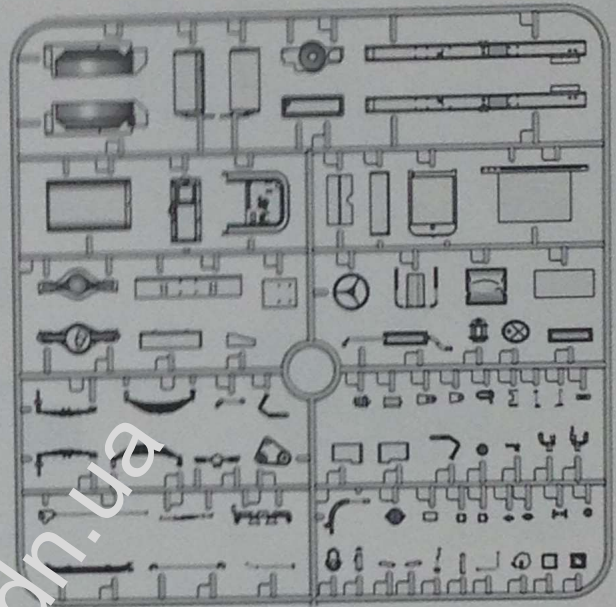
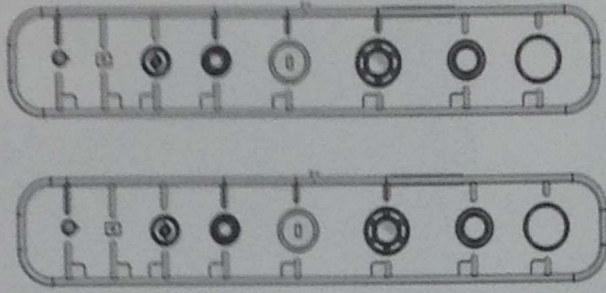
mudguard template

Hobby-dn.ua



?

PE15



Hobby.dn.ua

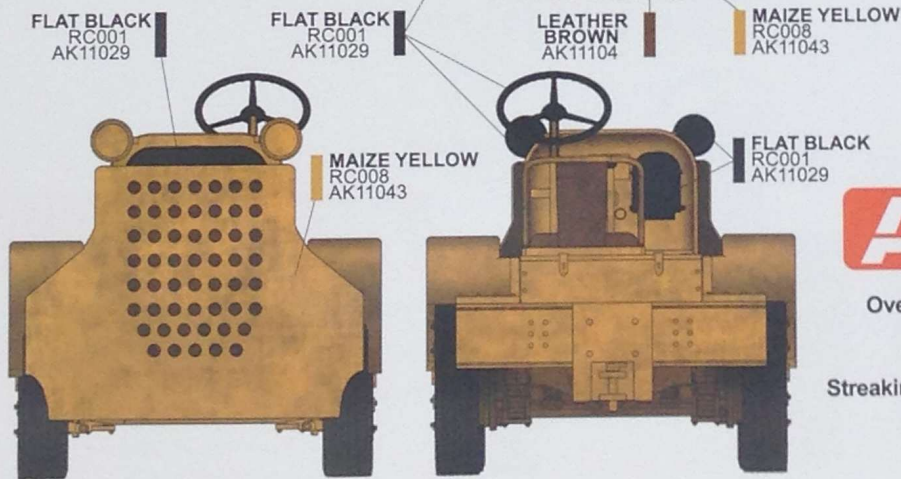
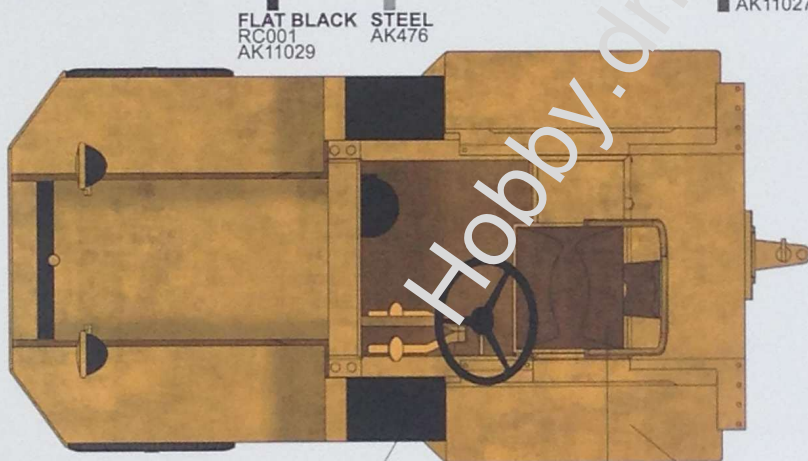
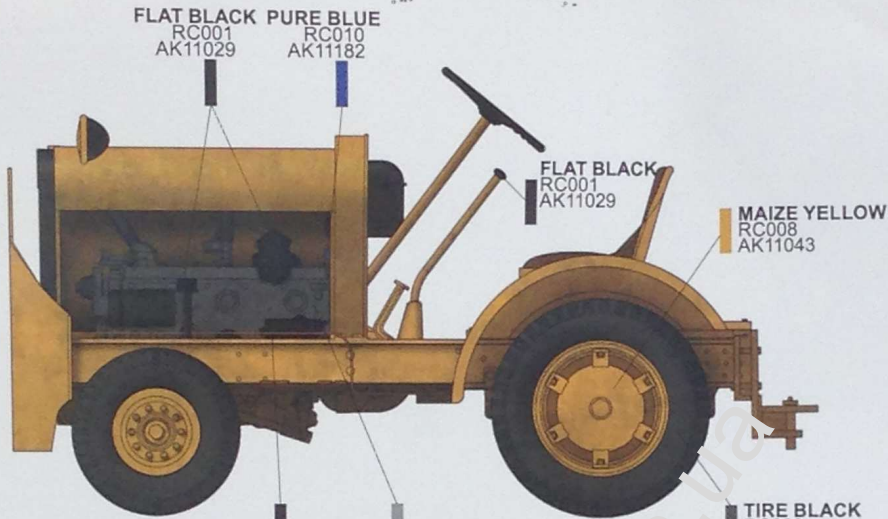
Hi-Res PDF Instructions available to download at:  
<https://www.thundermodel.com/Instructions--building-tips.html>



# US TUG CLARKTOR-6 Mill-33

**Thunder**  
MODEL  
迅雷模型

COLOR INFO AND PROFILES BY  
**AK**



MAIZE YELLOW  
RC008  
AK11043

FLAT BLACK  
RC001  
AK11029

STEEL  
AK476

PURE BLUE  
RC010  
AK11182

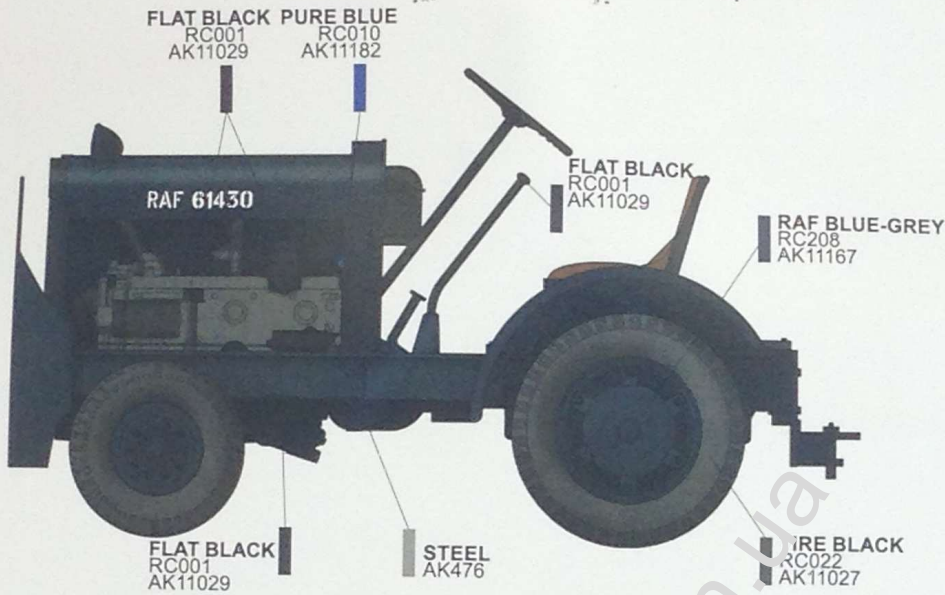
LEATHER BROWN  
AK11104

TIRE BLACK  
RC022  
AK11027

**AK** Recommended finishing products

- Overall wash AK300 Wash for German Vehicles
- Dust AK4062 Light Dust Deposit
- Mud AK016 Fresh Mud
- Streaking effects AK012 Streaking Grime
- Oil AK084 Engine Oil
- Fuel AK025 Fuel Stains
- Rust AK046 Light Rust Wash

# US TUG CLARKTOR-6 Mill-33



RAF BLUE-GREY  
RC208  
AK11167

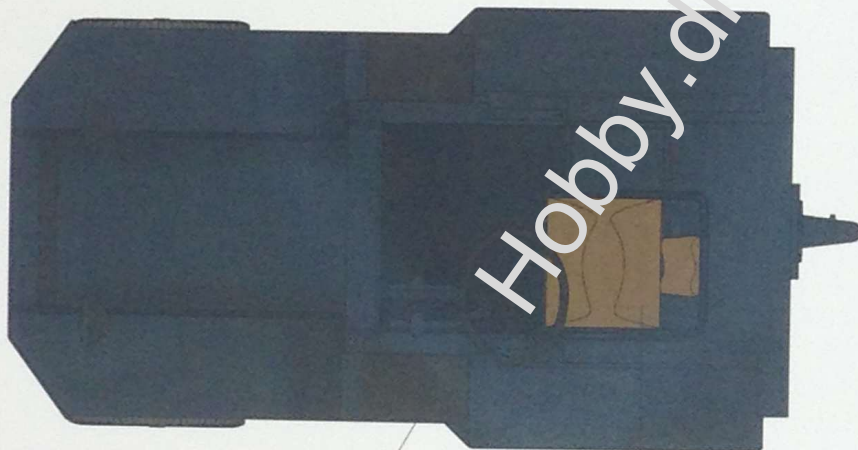
FLAT BLACK  
RC001  
AK11029

STEEL  
AK476

PURE BLUE  
RC010  
AK11182

LEATHER  
BROWN  
AK11104

TIRE BLACK  
RC022  
AK11027

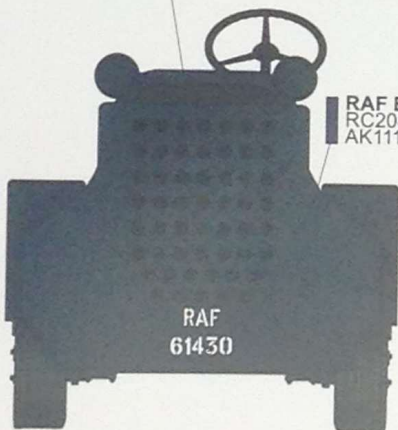


FLAT BLACK  
RC001  
AK11029

FLAT BLACK  
RC001  
AK11029

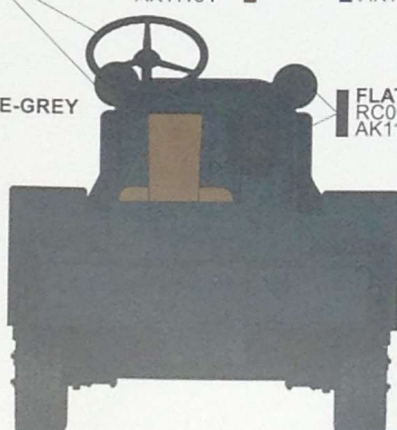
LEATHER  
BROWN  
AK11104

RAF BLUE-GREY  
RC208  
AK11167



RAF BLUE-GREY  
RC208  
AK11167

FLAT BLACK  
RC001  
AK11029



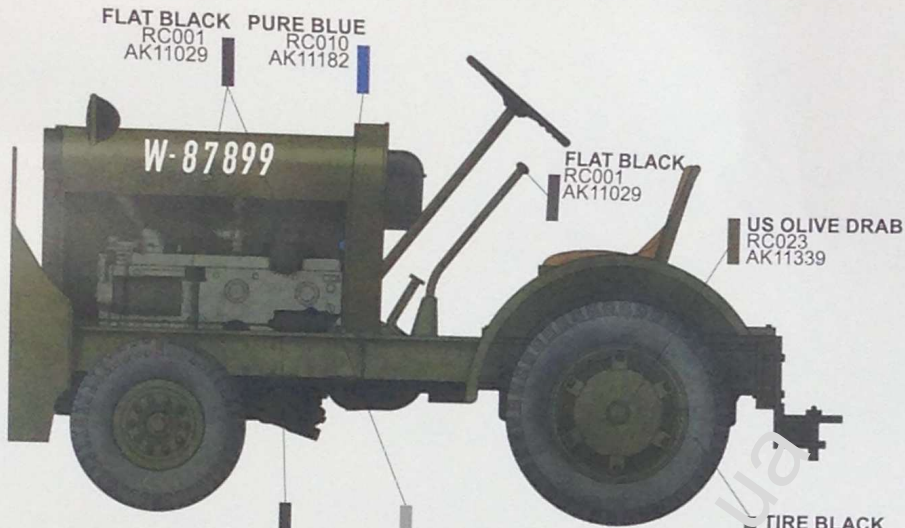
## AK Recommended finishing products

- Overall wash AK677 Neutral Grey Wash
- Dust AK4062 Light Dust Deposit
- Mud AK016 Fresh Mud
- Streiking effects AK012 Streiking Grime
- Oil AK084 Engine Oil
- Fuel AK025 Fuel Stains
- Rust AK046 Light Rust Wash

# US TUG CLARKTOR-6 Mill-33

**Thunder**  
MODEL  
迅雷模型

COLOR INFO AND PROFILES BY  
**AK**



US OLIVE DRAB  
RC023  
AK11339

FLAT BLACK  
RC001  
AK11029

STEEL  
AK476

PURE BLUE  
RC010  
AK11182

LEATHER BROWN  
AK11104

TIRE BLACK  
RC022  
AK11027



**AK** Recommended finishing products

- Overall wash AK045 Dark Brown Wash
- Dust AK062 Light Dust Deposit
- Mud AK016 Fresh Mud
- Streaking effects AK012 Streaking Grime
- Oil AK084 Engine Oil
- Fuel AK025 Fuel Stains
- Rust AK046 Light Rust Wash