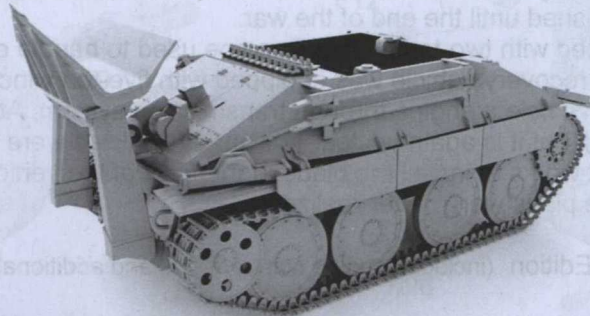


**35100, 35101**

**產品編號 : 35100, 35101**

**scale 1/35**

**1:35 比例**



## 1/35 German Bergepanzer Hetzer Late

Go through this assembly guide and understand it before you start kit assembly  
Use usual plastic kit's cements and tools (not included in the kit)  
Follow painting guide supplied, use only hobby paints  
Work carefully with photo etched parts if included. Use C/A glues to assemble them

請您在組裝此產品前仔細閱讀組裝指南；  
請使用通用塑膠模型黏合劑和工具(本產品不附帶)；  
本產品所以提供的噴塗指南只適用本於模型；  
如果本產品含有蝕刻套件,請小心仔細處理,請使用C/A膠水組裝；



cut/remove

切下 / 移除



drill hole

鑽孔



no glue

不適用膠水



bend

折彎



cyanoacrylate glue

氰基丙烯酸酯膠水



string or wire

細繩或者金屬絲線



rope

繩



painting area during assembly  
recommended (ref. to AMMO colors)

裝配過程中的噴漆區域推薦  
(請參考AMMO顏色)



PE - press rivets (lines)  
from the etched off side

蝕刻片 -  
請從蝕刻掉的一側壓铆釘 (線)

Bergerpanzer 38(t) was a recovery vehicle based on Hetzer's base, with lower open-top superstructure, manufactured by BMM company in Prague. The plans were approved in September 1944 and called for production of 170 vehicles until the end of 1944. In fact just 101 vehicles were built. To meet the production plans it was decided to convert 64 summer production's Hetzers into armoured recovery vehicles, but it is unknown how many were actually converted. Production was much slower than plans, and total number of about 180 vehicles was finished until the end of the war.

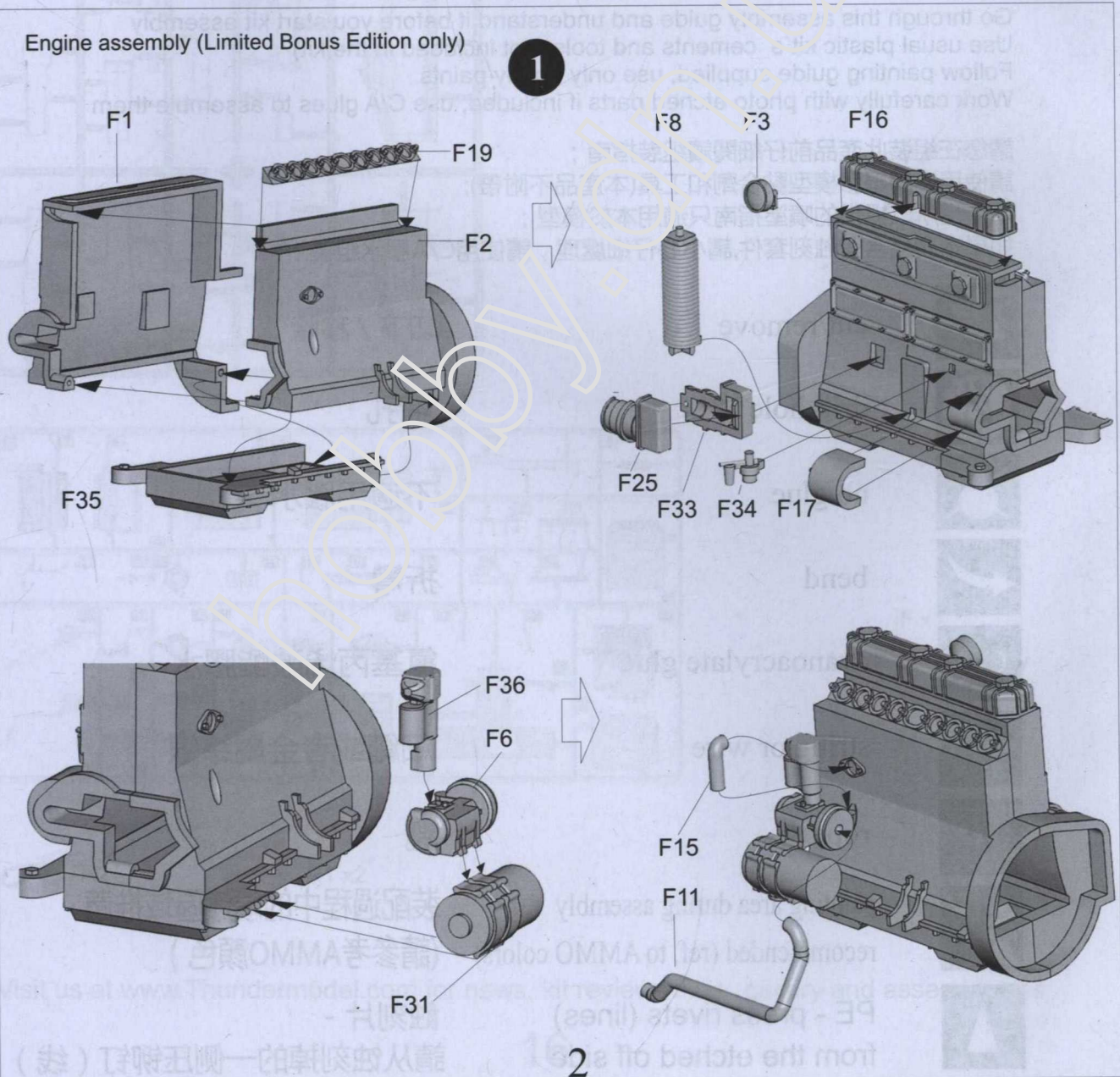
The Bergerpanzer was equipped with two-ton folding jib crane used to handle engines and other heavy components. Additionally the recovery vehicle was equipped with five-ton winch of Baumgarten company. The winch was driven by the vehicle's engine through transmission system. At the end a blade was installed at the rear of the hull, but it is again unclear how many vehicles were equipped with it. There were also some development works to install the blade at the front of the vehicle, as seen in the company blueprints, but probably these plans were never realized.

Kit TM35100 Limited Bonus Edition (includes engine compartment and additional PE set mudguards, skirts)

Kit TM35101 Standard edition (excludes engine compartment, mudguards and skirts molded in plastic)

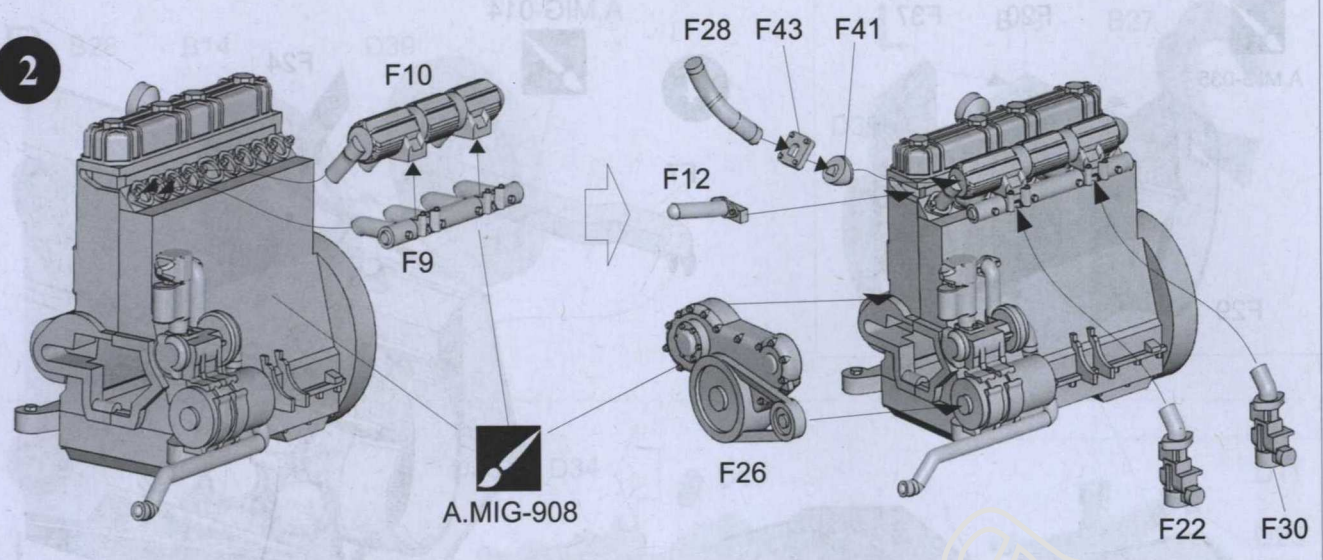
Engine assembly (Limited Bonus Edition only)

1

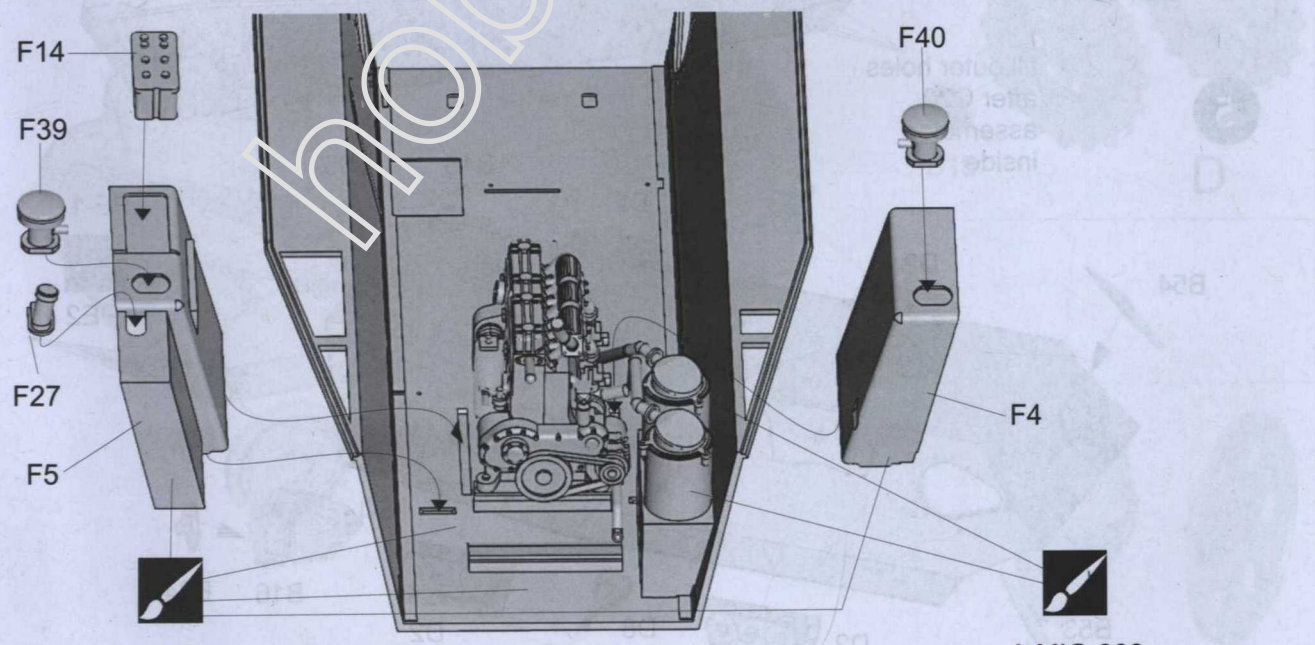
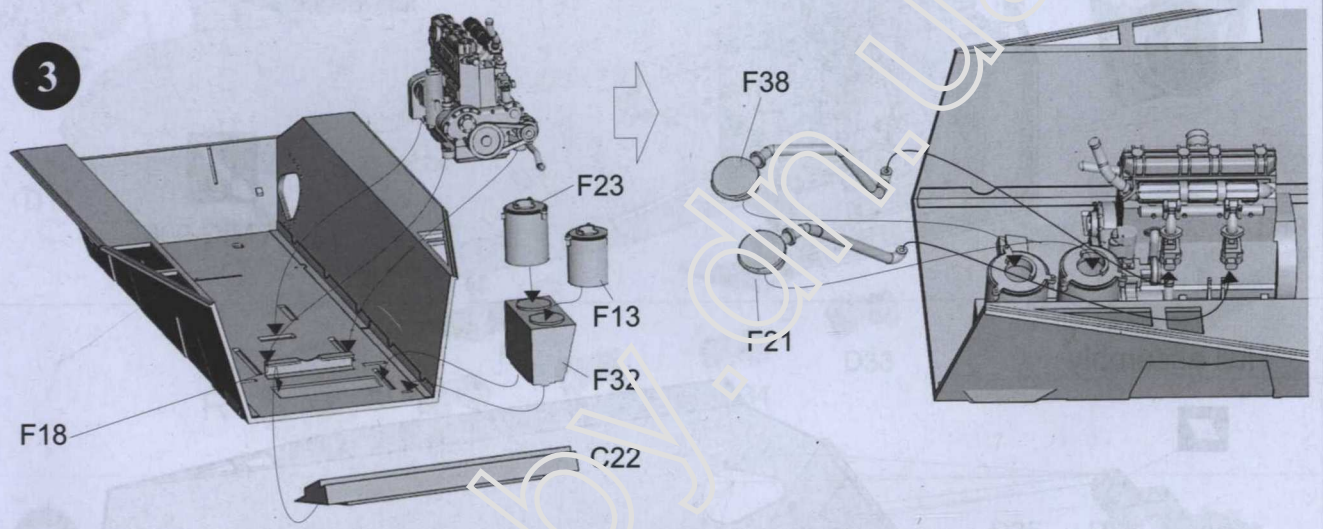


2

2



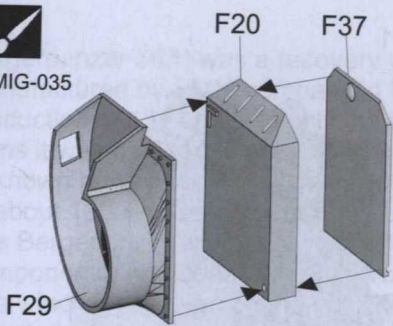
3



A.MIG-014

A.MIG-908

  
A.MIG-035



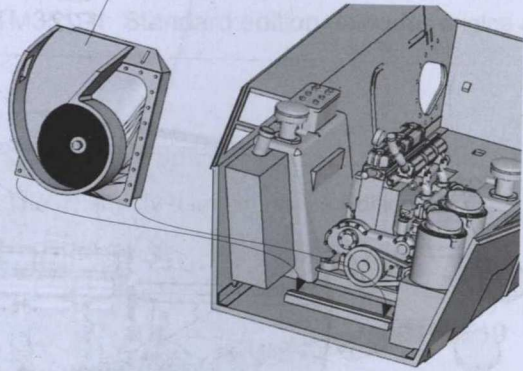
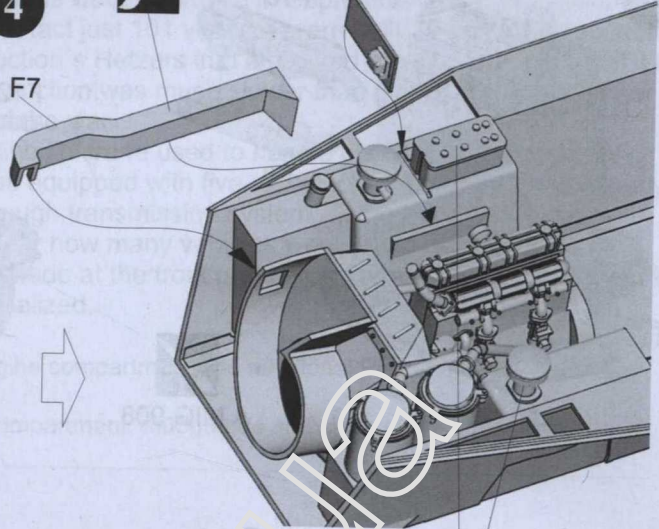
A.MIG-014

4



F7

F24



A.MIG-908

Hull assembly

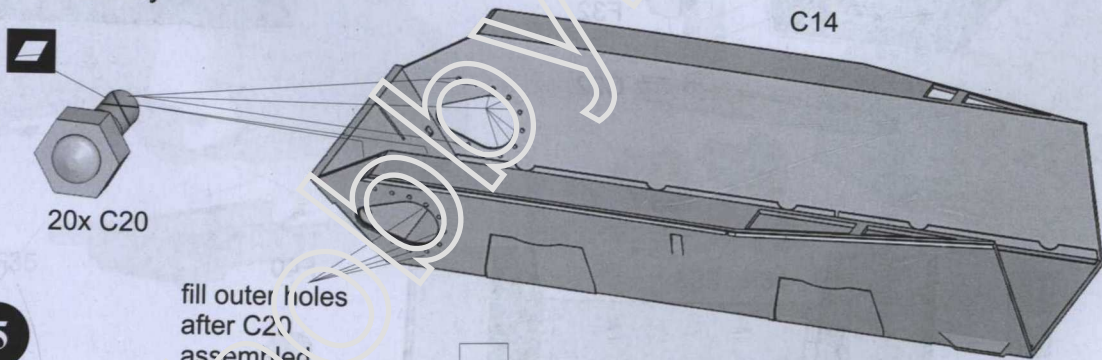


20x C20

C14

5

fill outer holes  
after C20  
assembled  
inside



B54

D2

D7+D8

D2

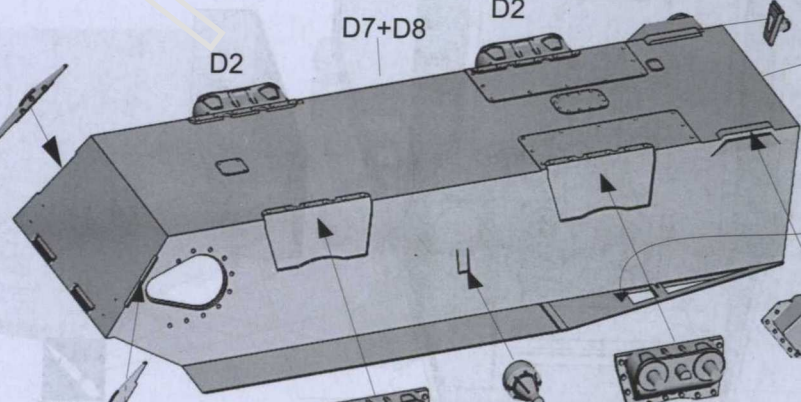
B15

B65

PE 1

C/A

PE 2



B53

D2

D8

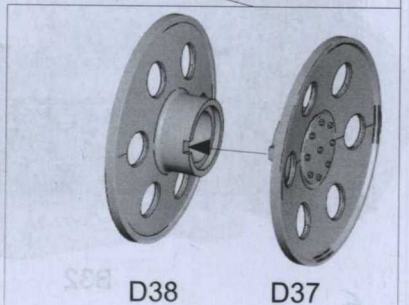
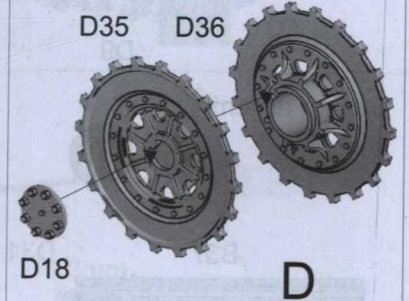
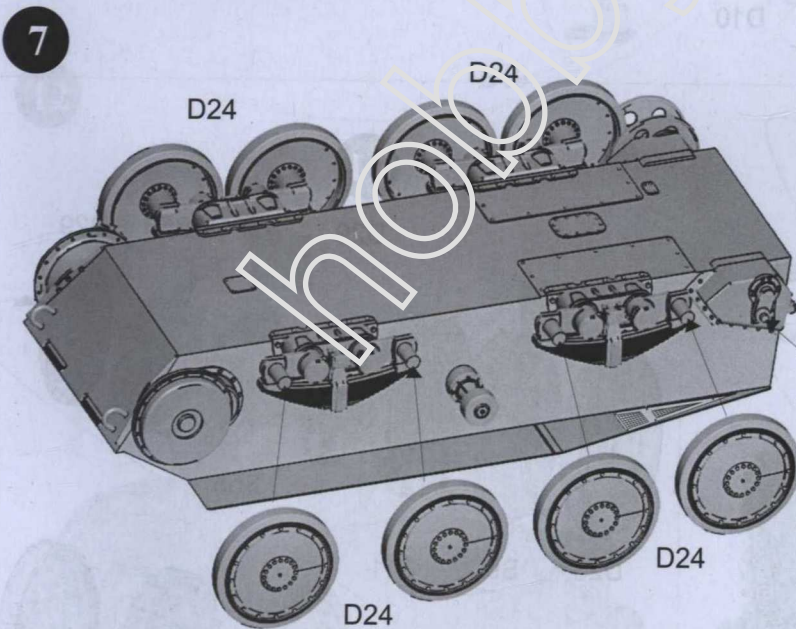
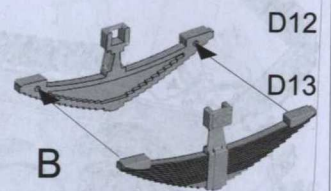
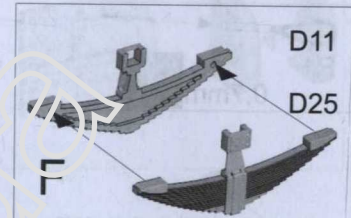
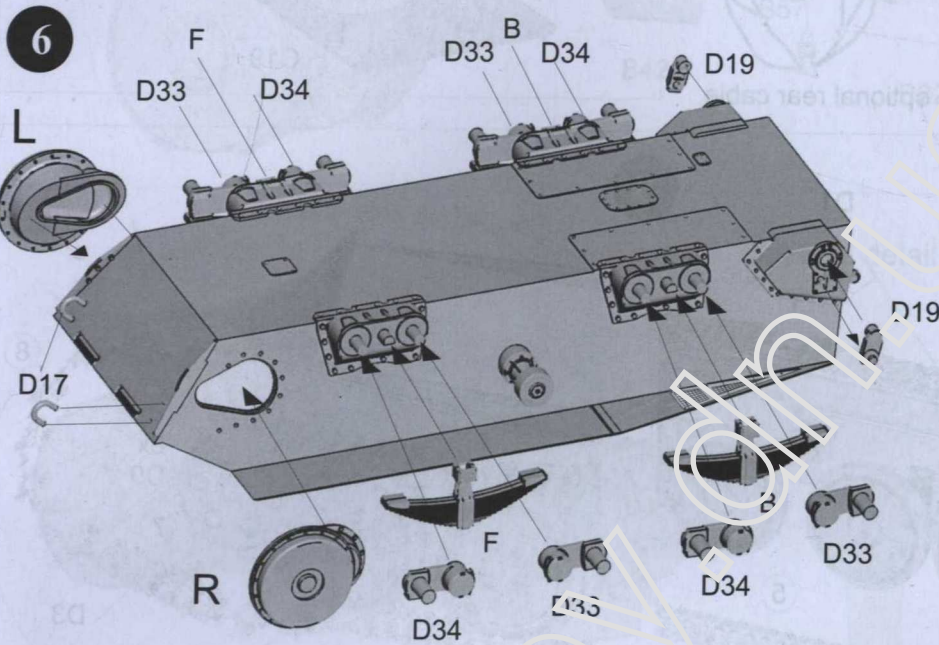
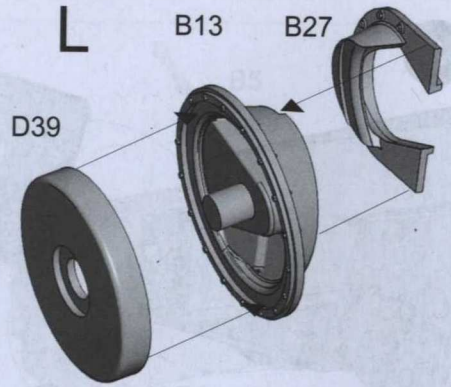
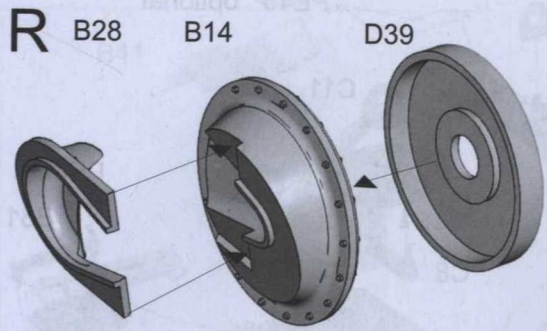
D7

D2

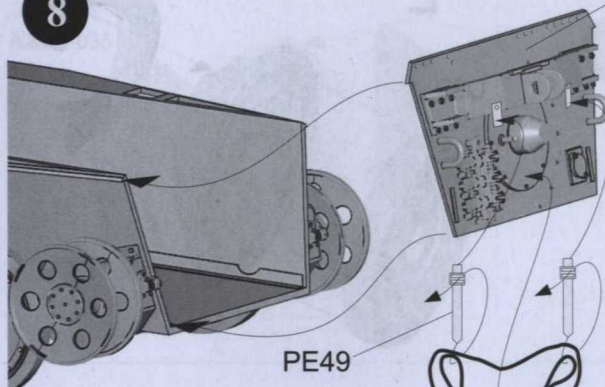
B16

B64

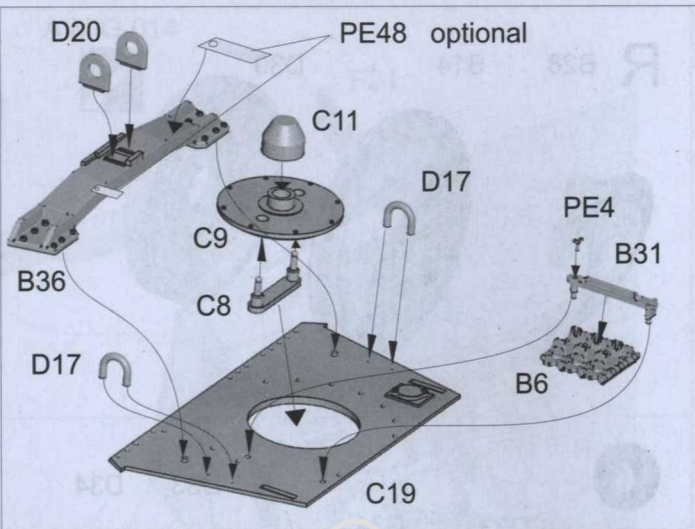
4



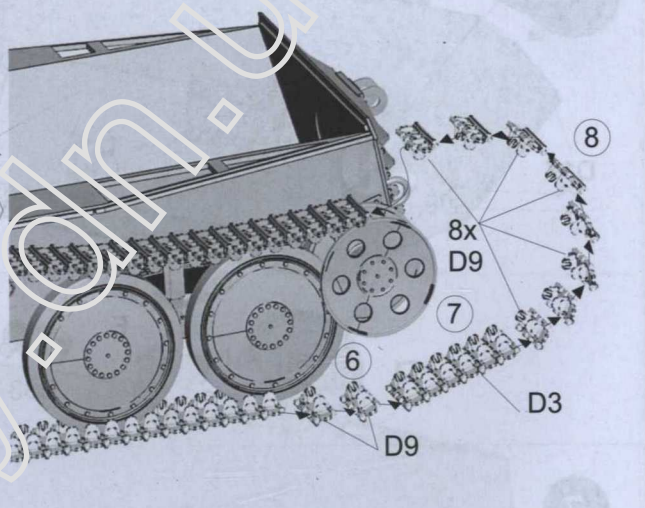
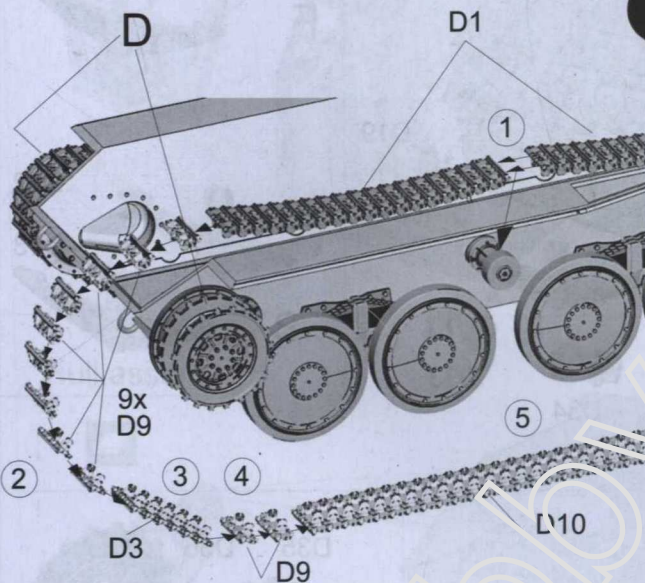
8



optional rear cable

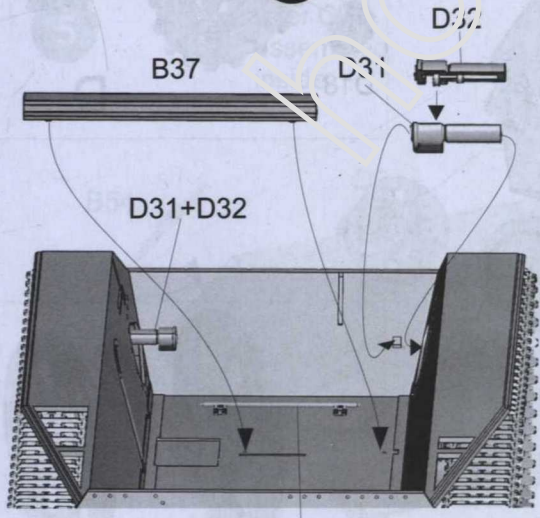


9

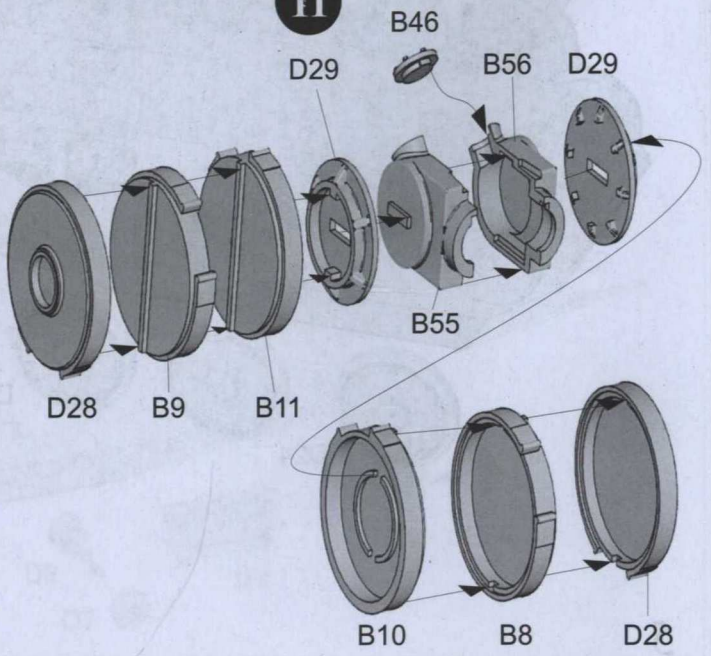


Interior assembly

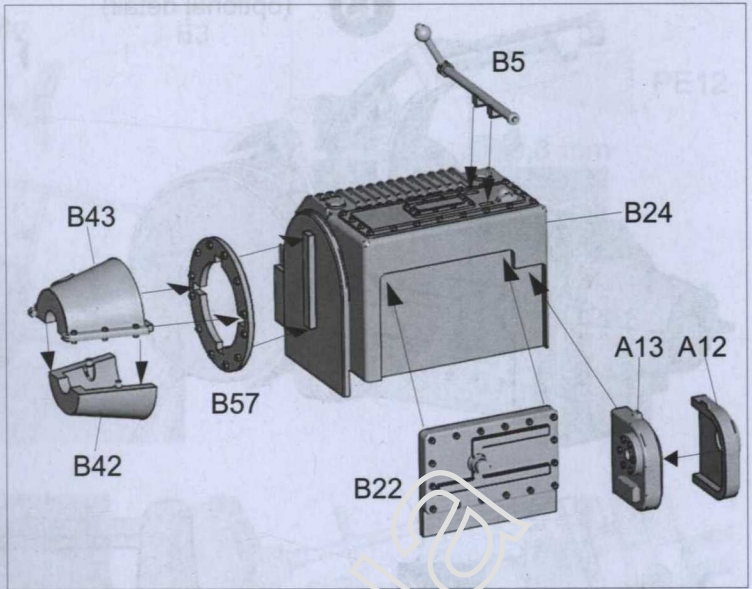
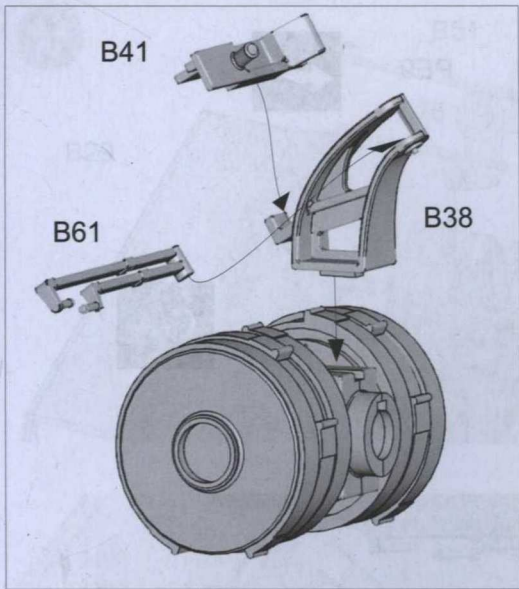
10



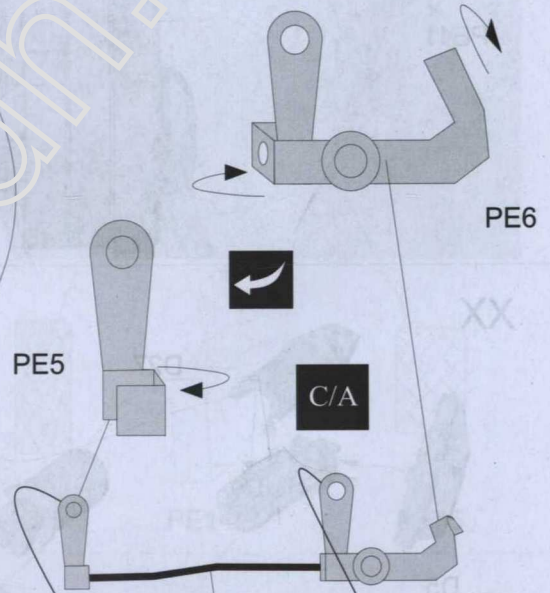
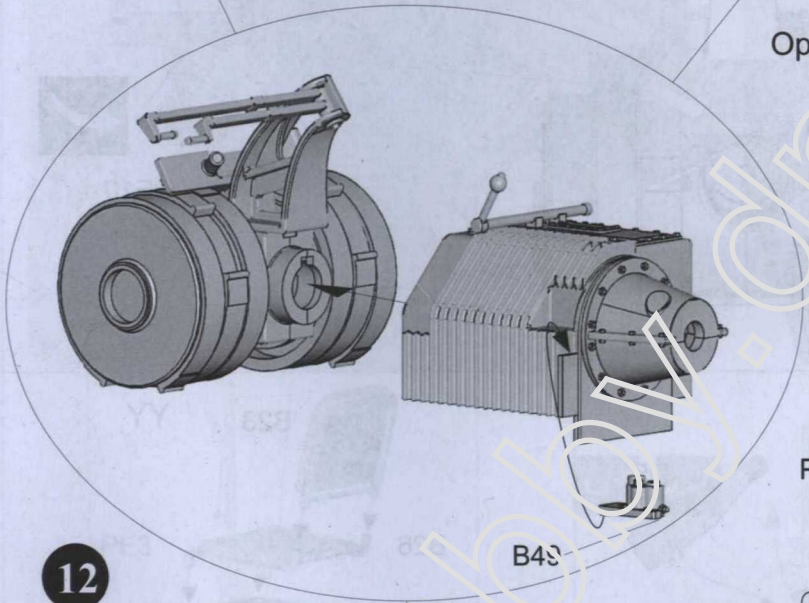
11



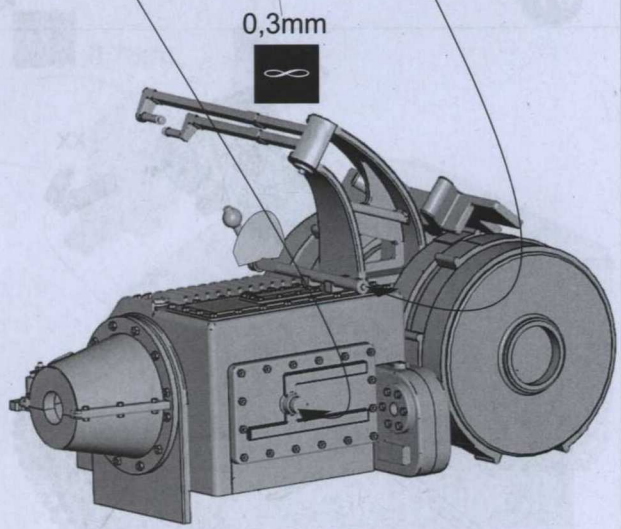
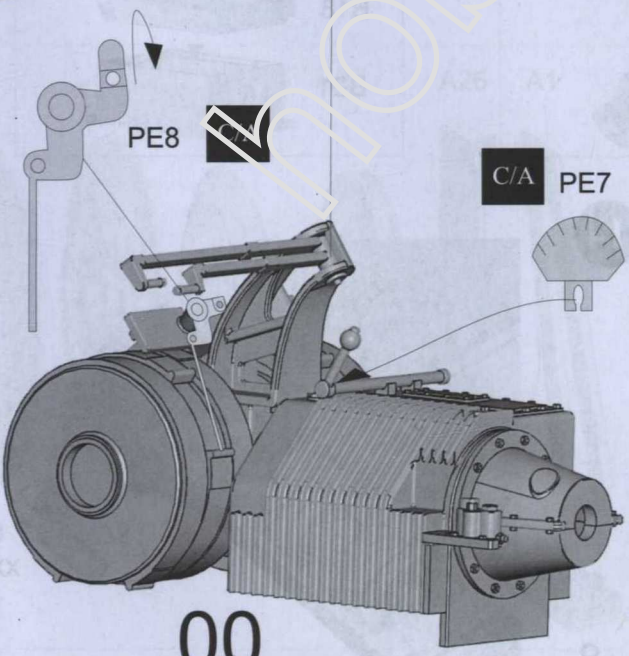
6



Optional detail - PE 5,6,8,9,10,11,12



12

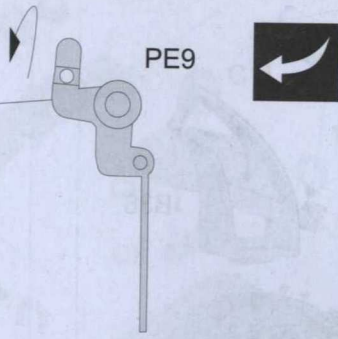
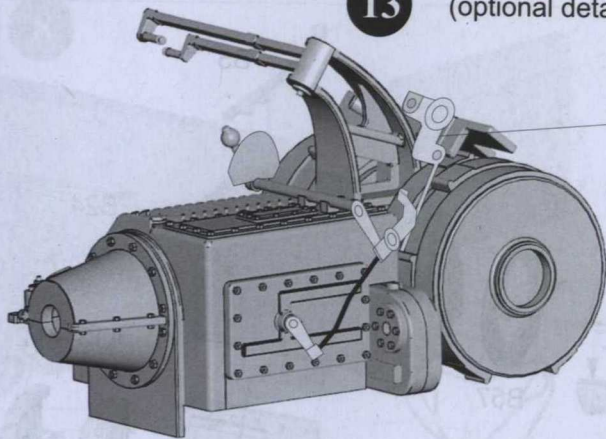


7

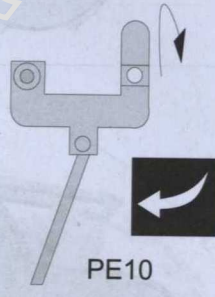
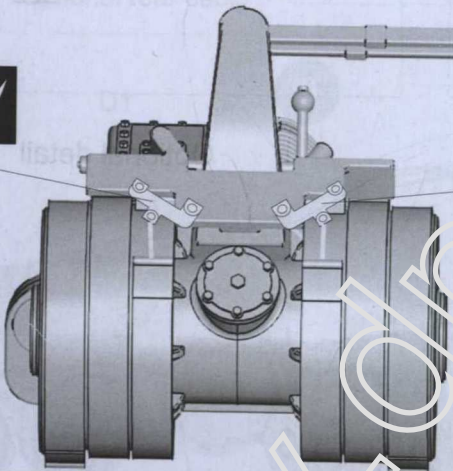
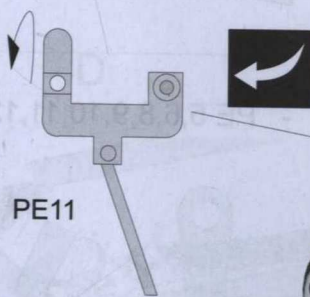
00

13

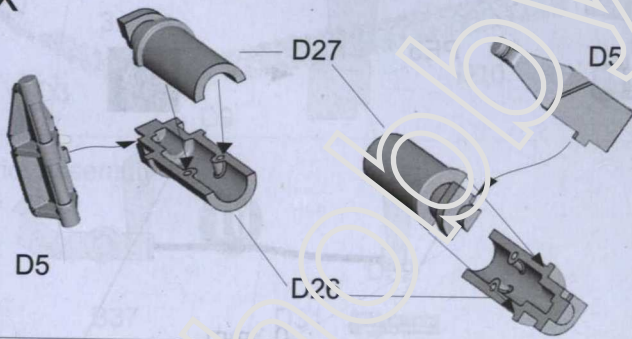
(optional detail)



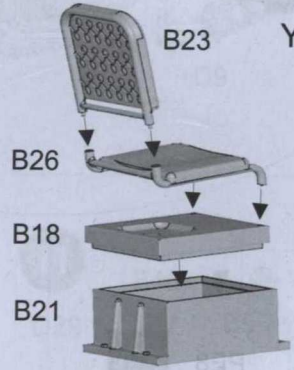
C/A



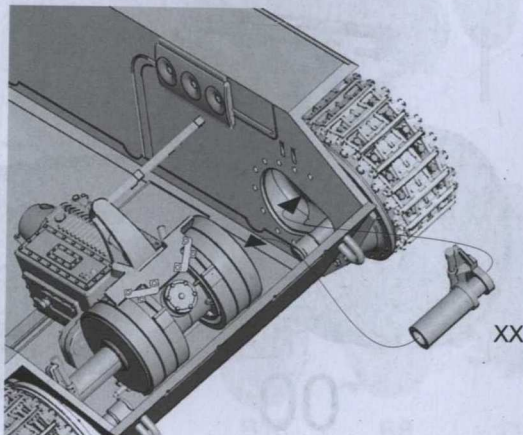
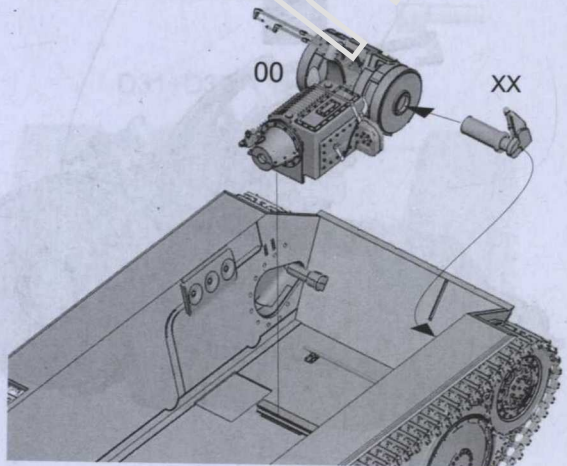
XX



YY



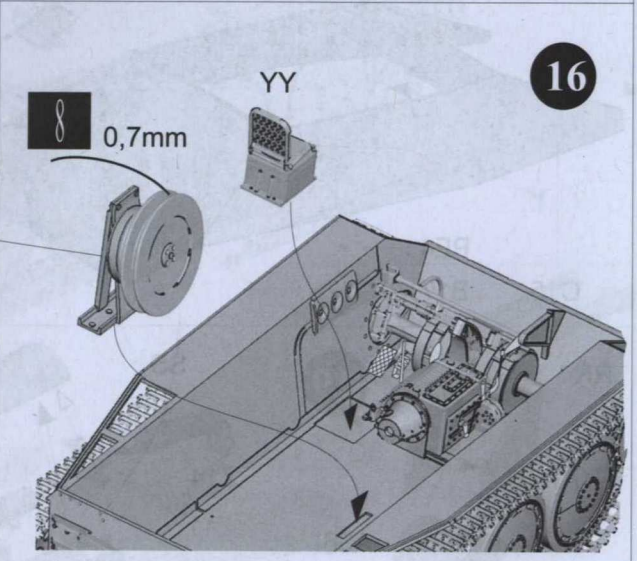
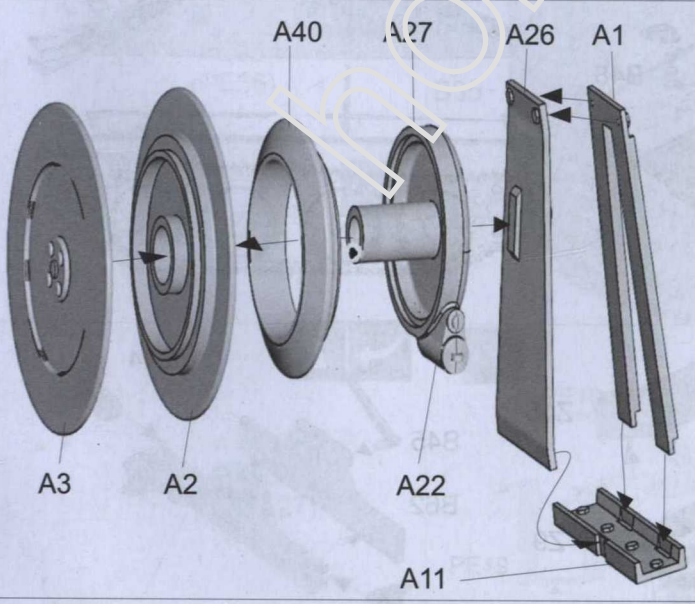
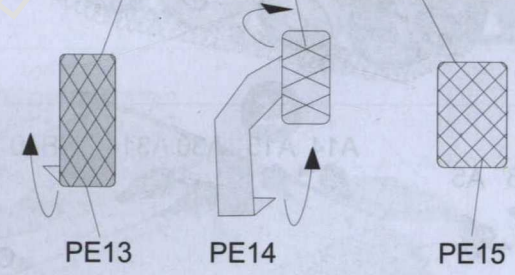
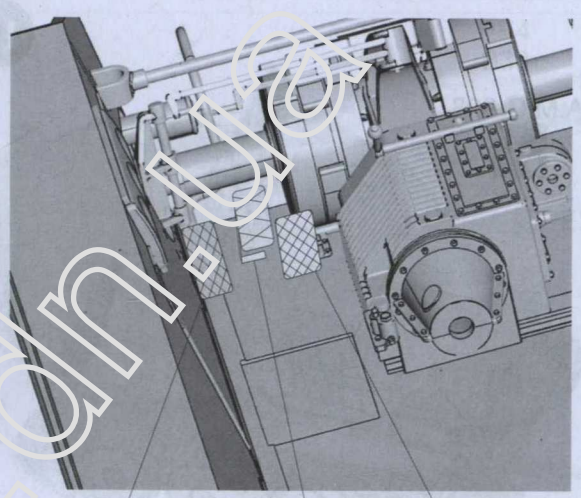
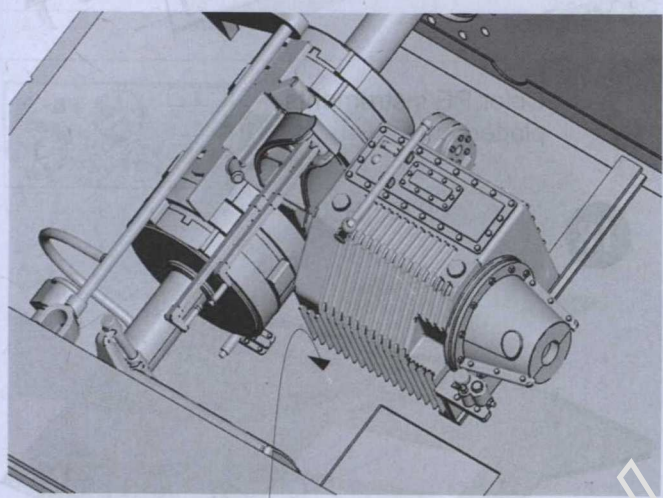
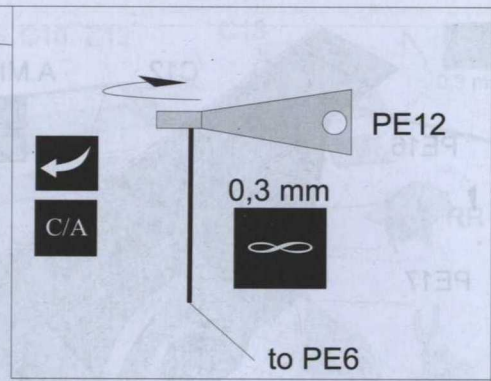
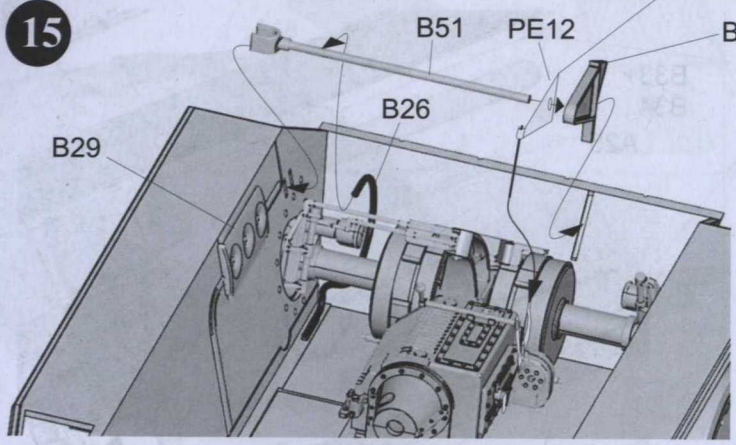
14



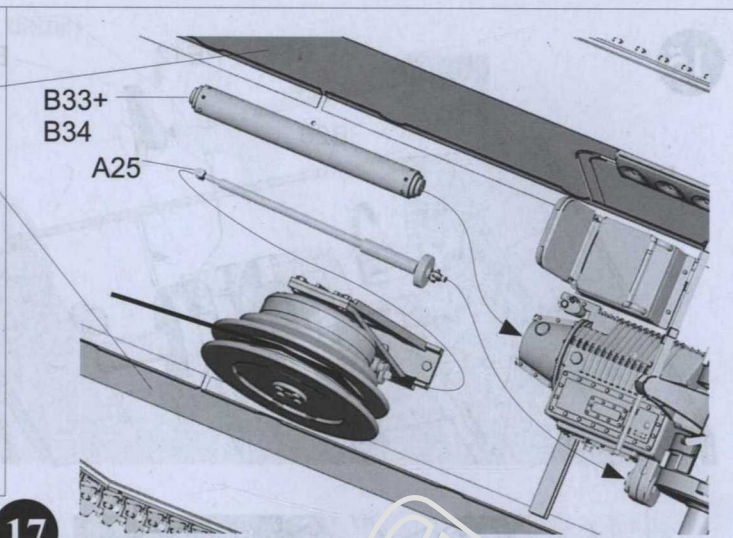
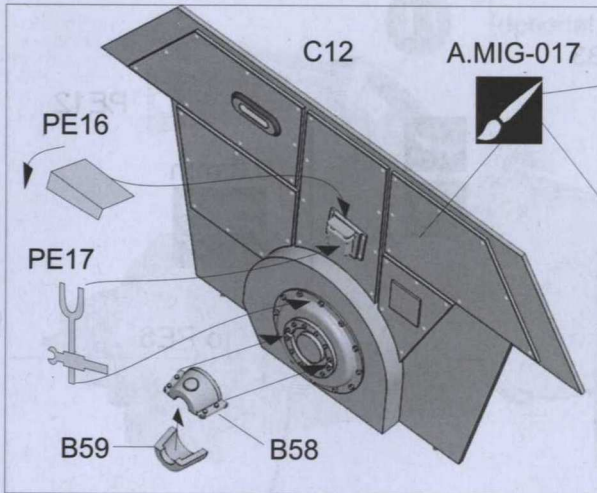
8



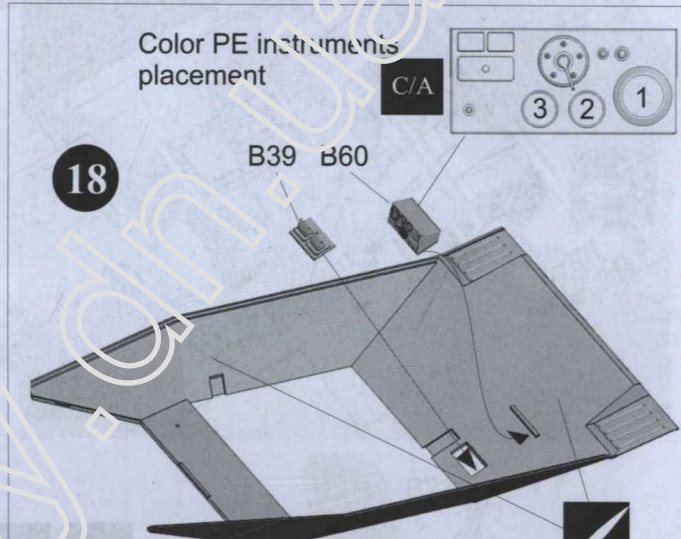
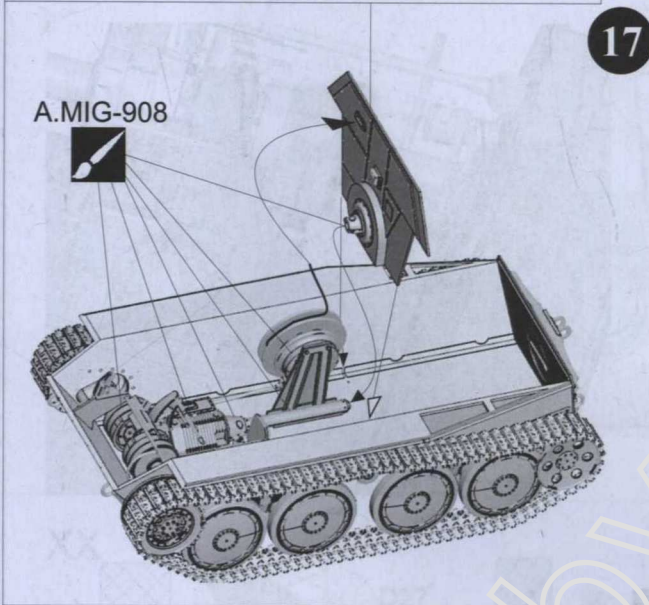
15



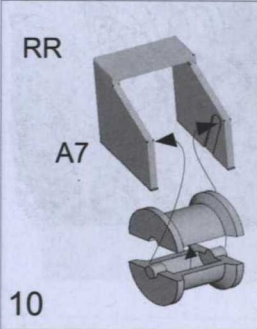
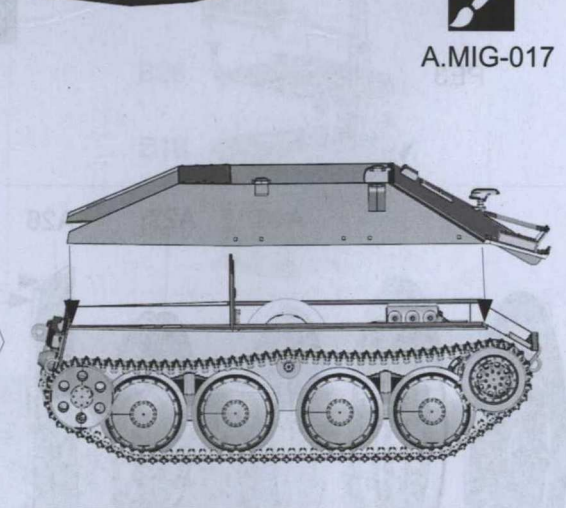
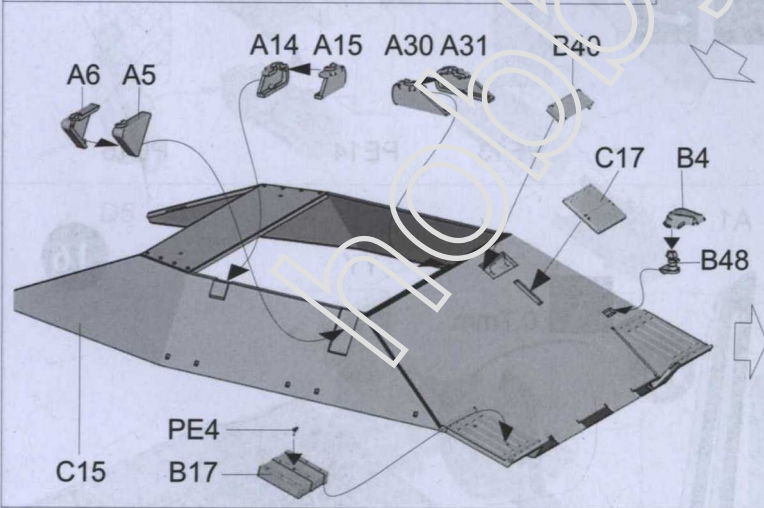
16



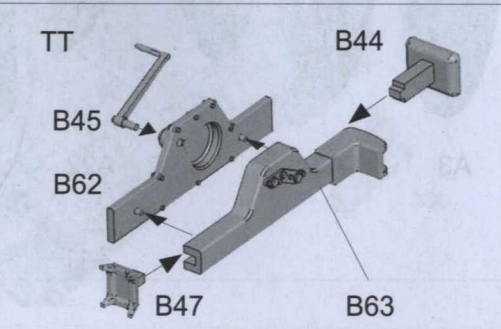
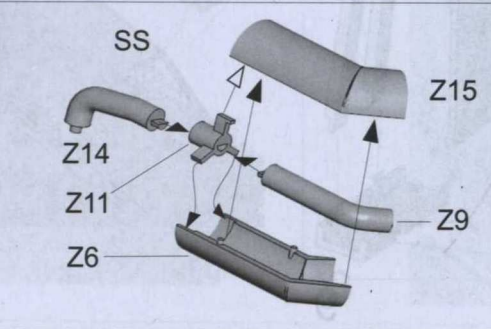
17



18

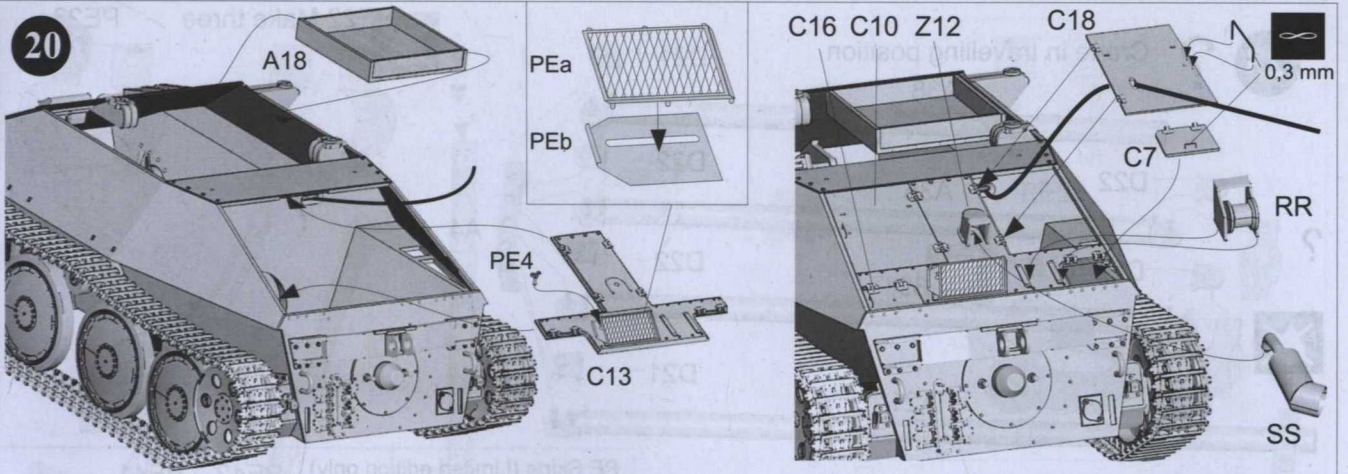


19



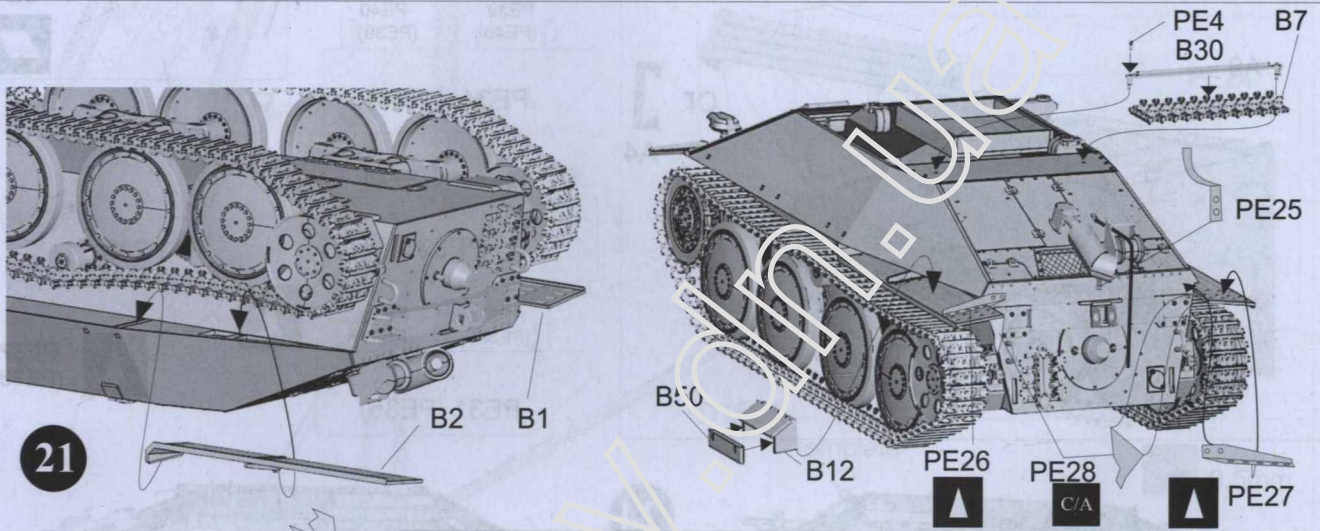
10

20



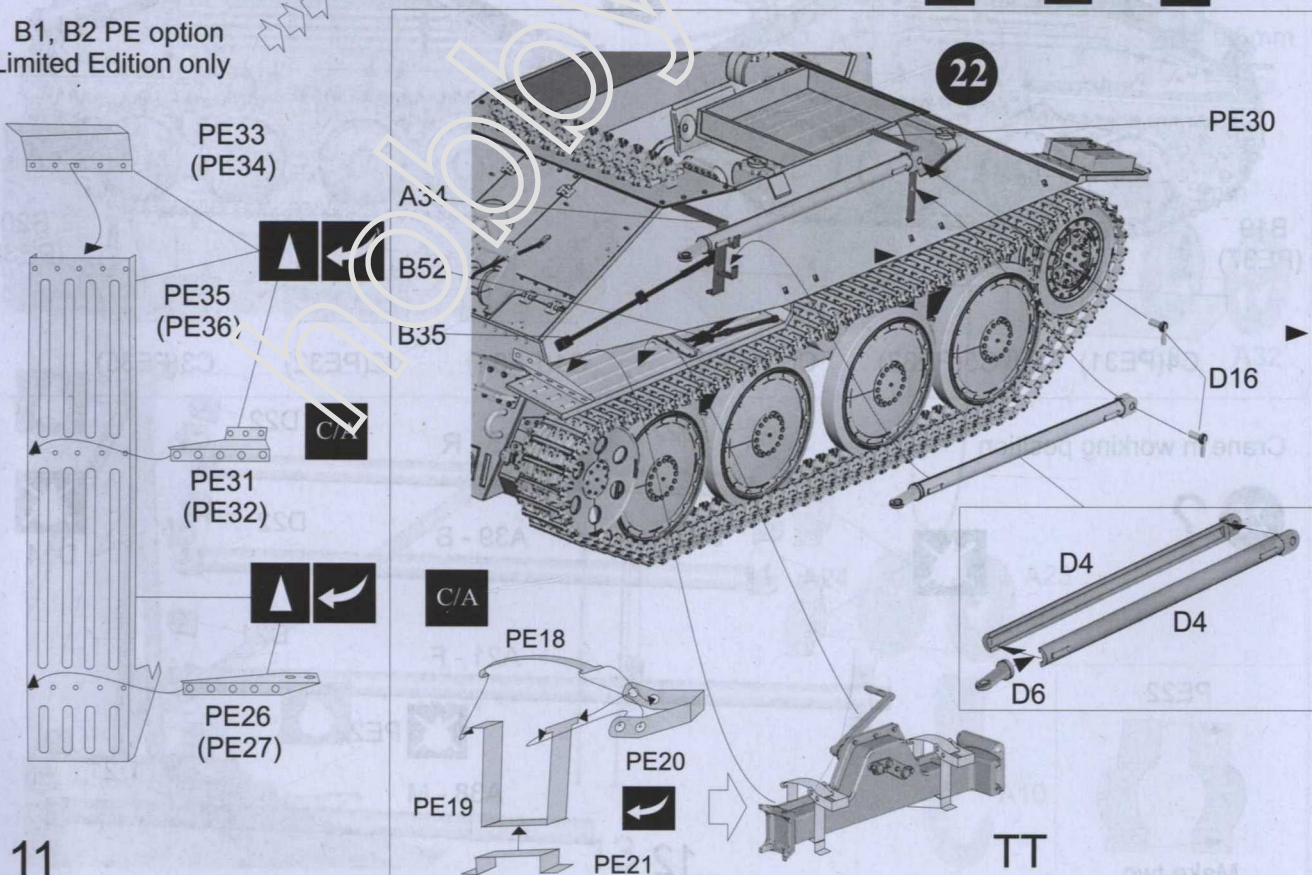
C10, C16, C7, C18 open or closed

21



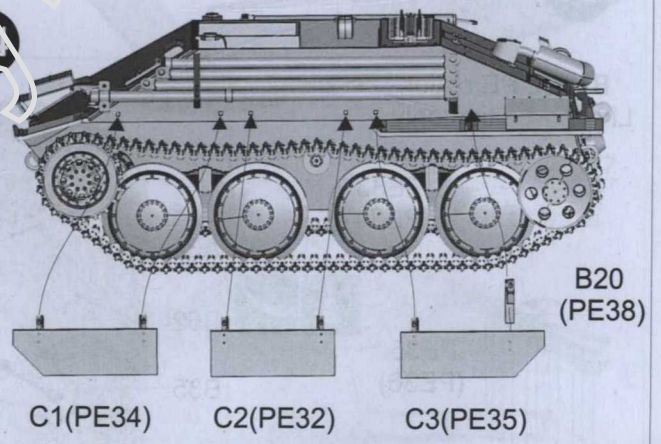
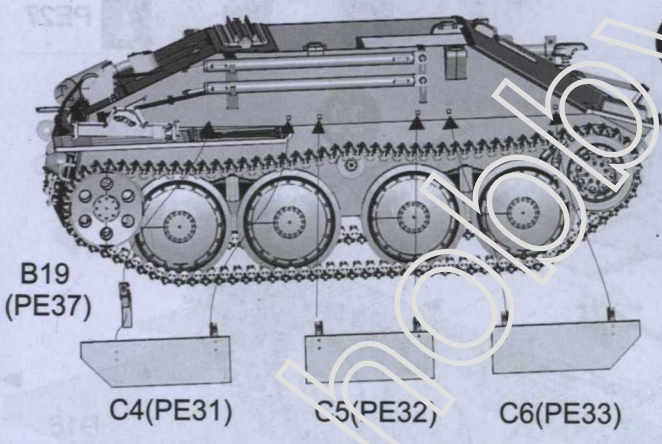
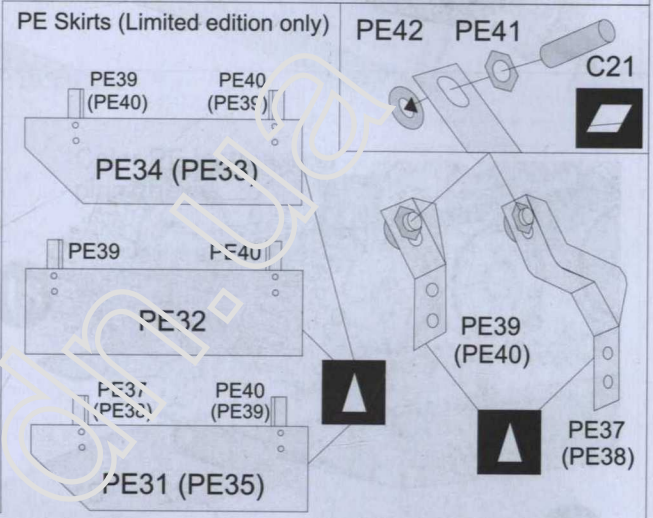
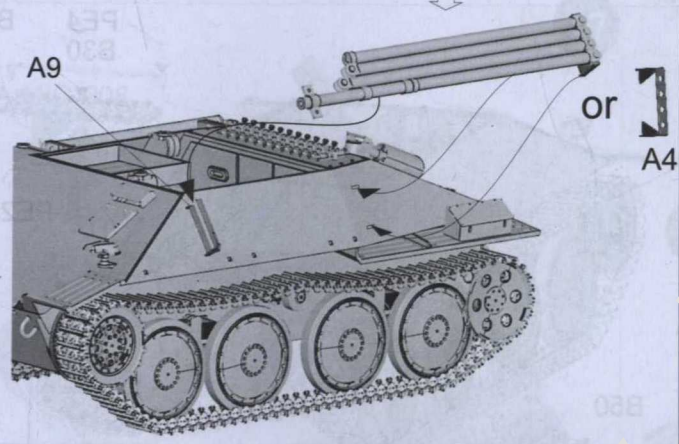
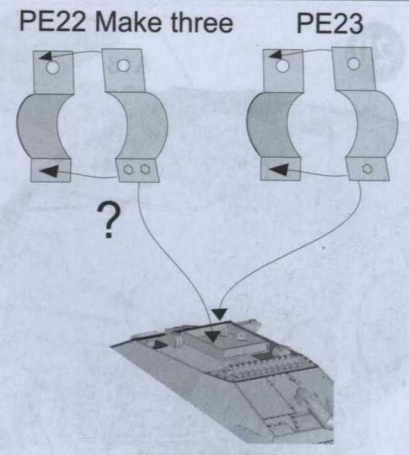
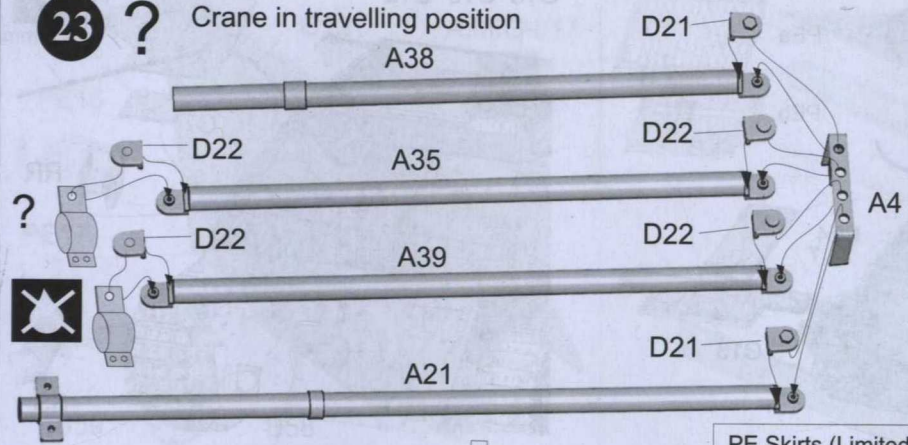
B1, B2 PE option  
Limited Edition only

22



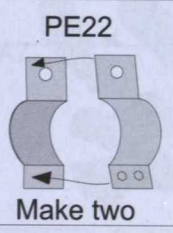
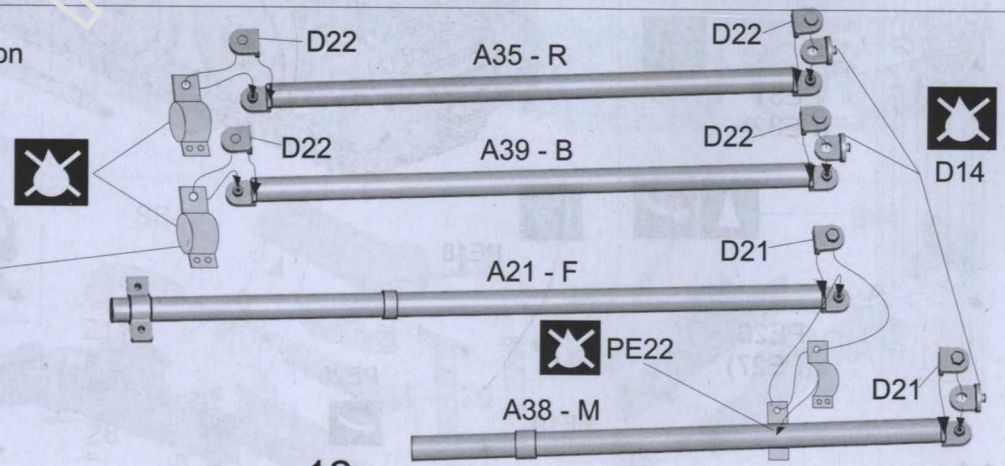
11

**23 ?** Crane in travelling position

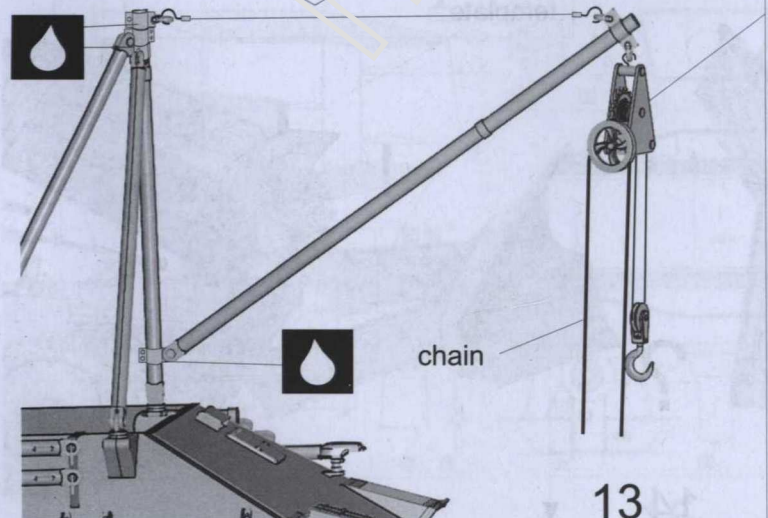
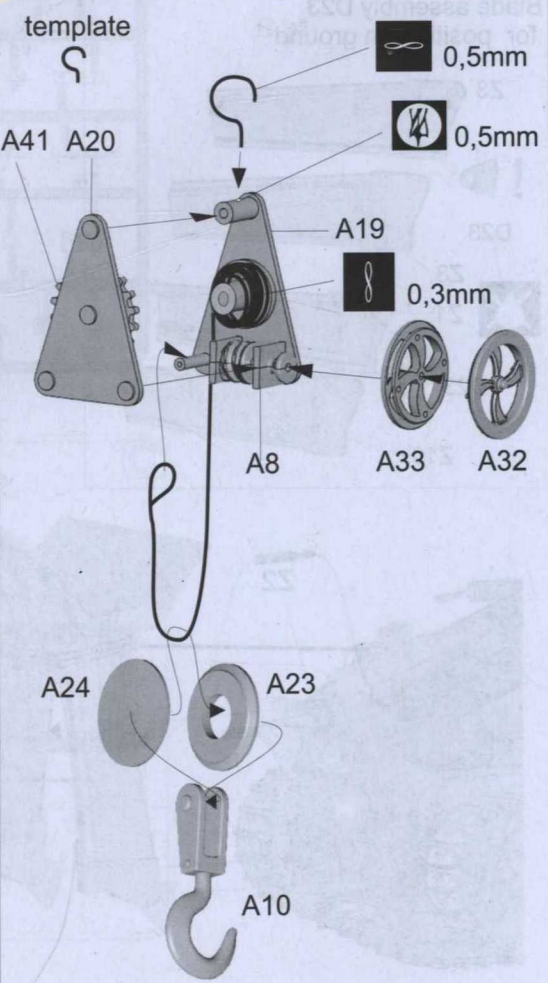
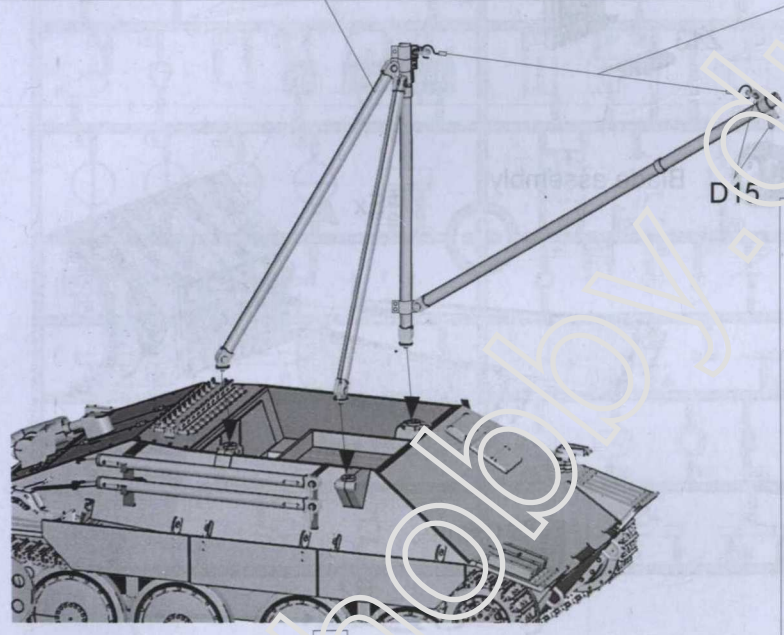
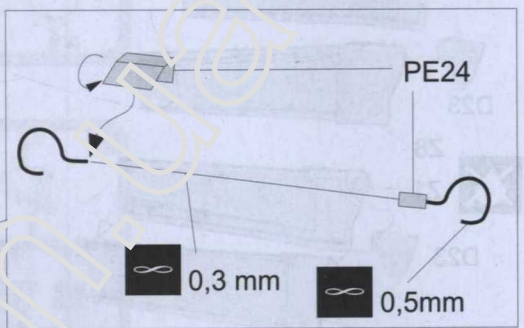
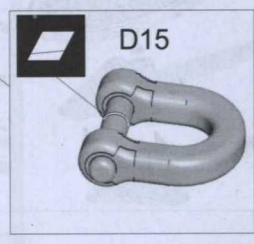
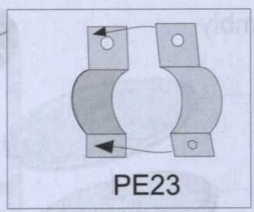
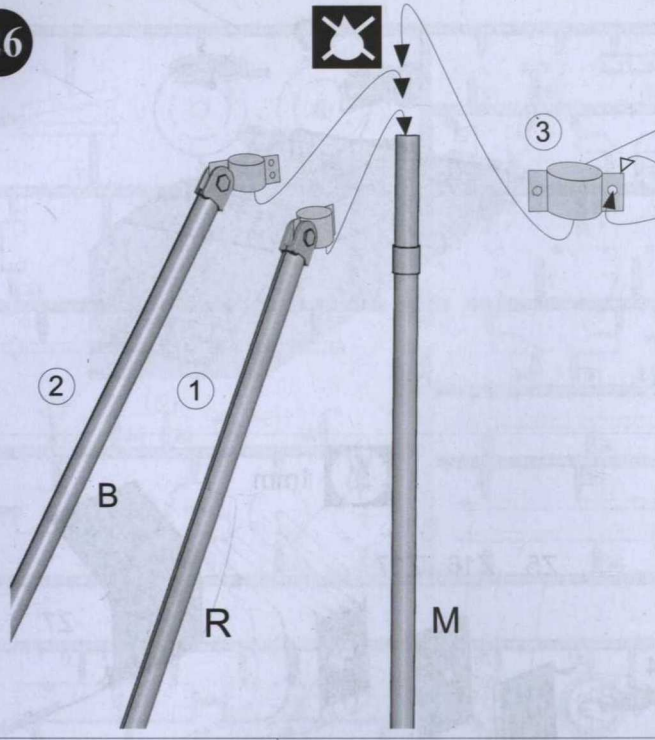


Crane in working position

**25 ?**

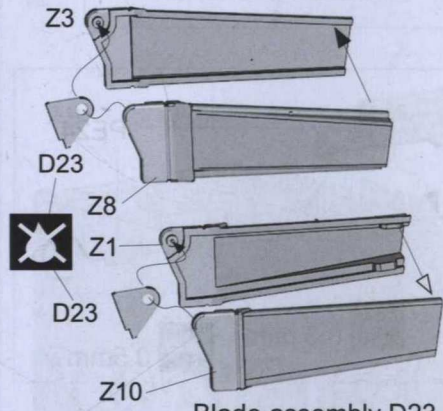
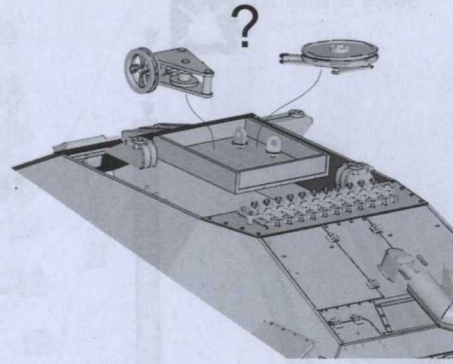
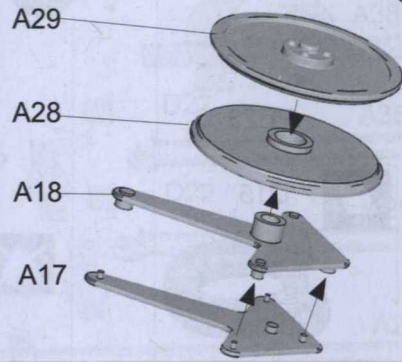


26

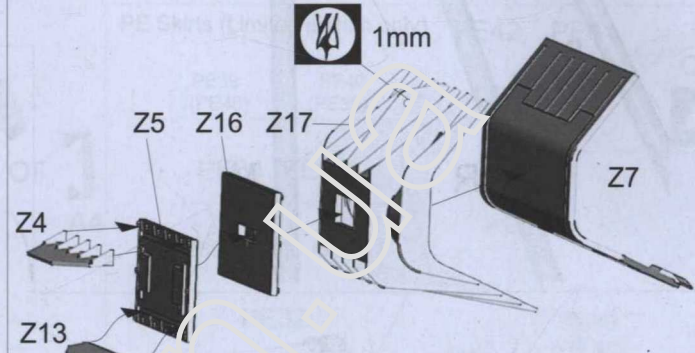


Pulley assembly

27



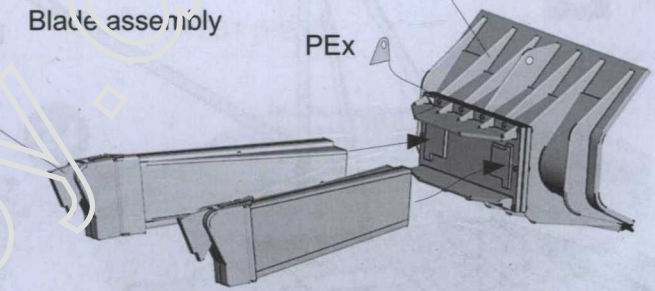
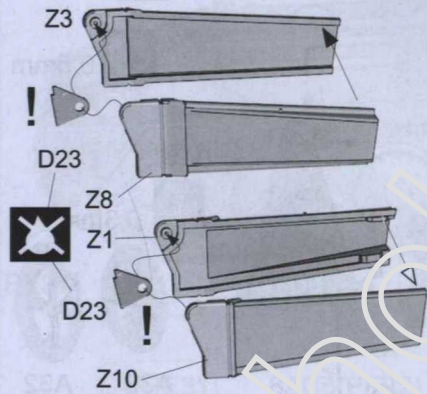
Blade assembly D23 for traveling position



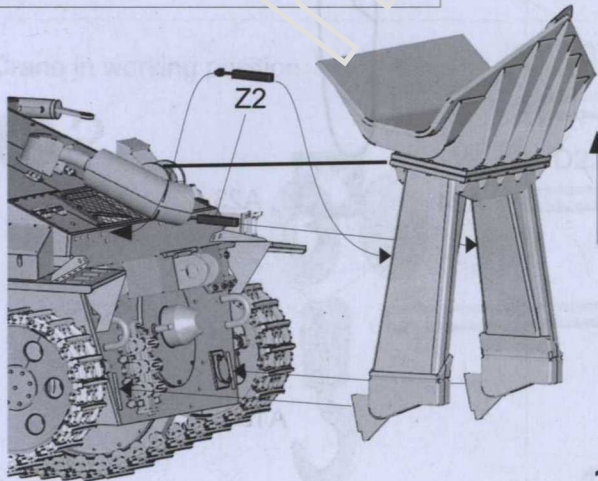
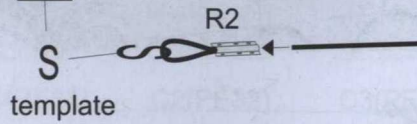
28

Blade assembly

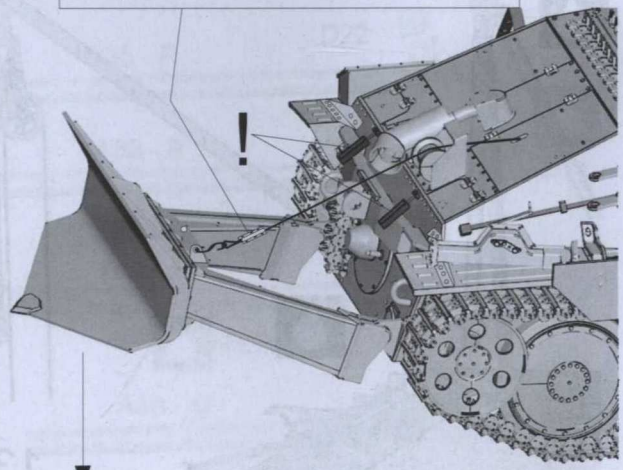
Blade assembly D23 for position on ground

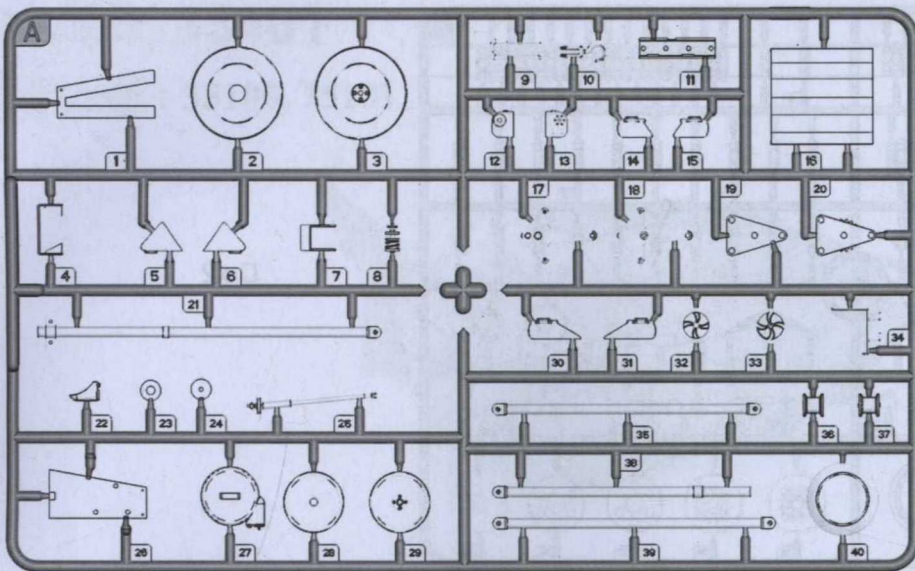


0,8mm

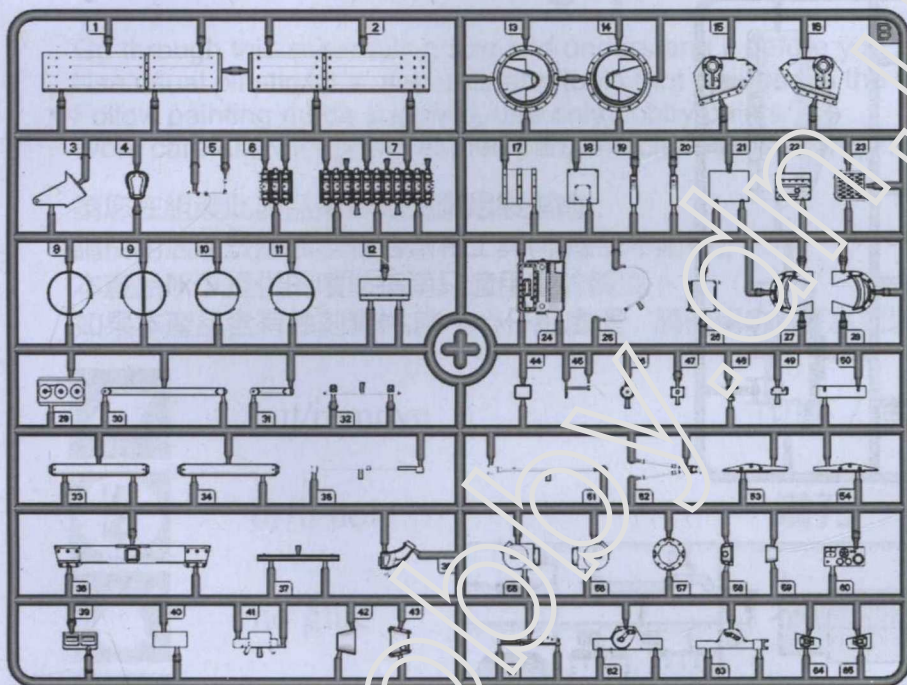


?

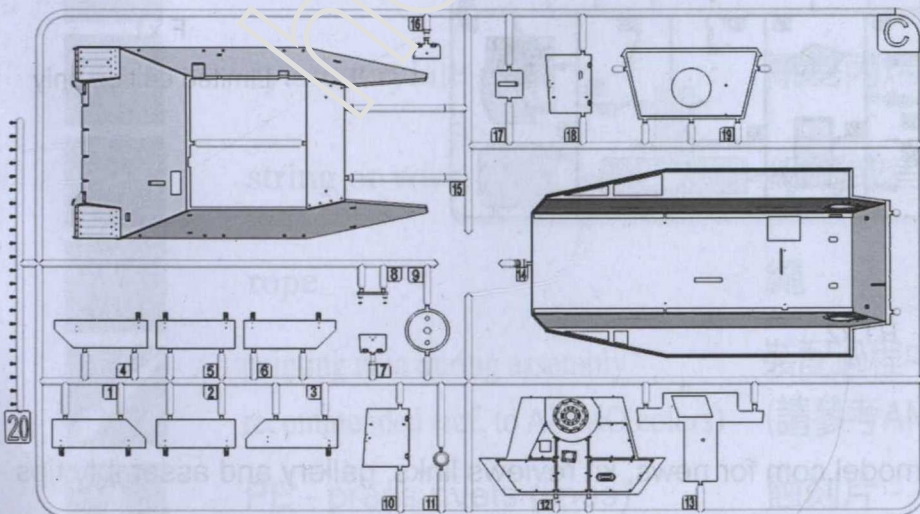




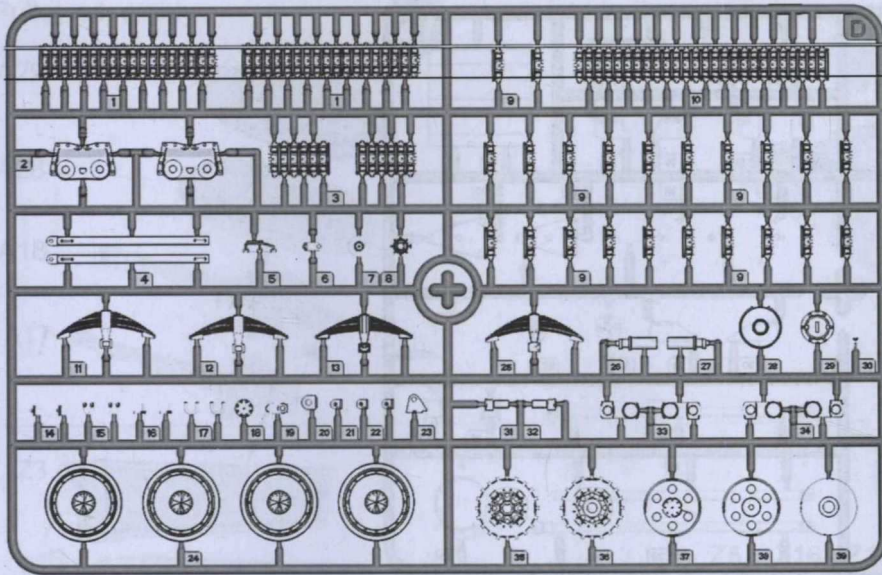
A x1



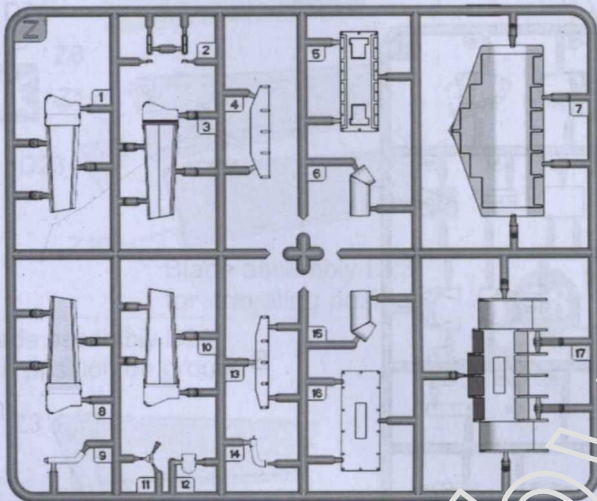
B x1



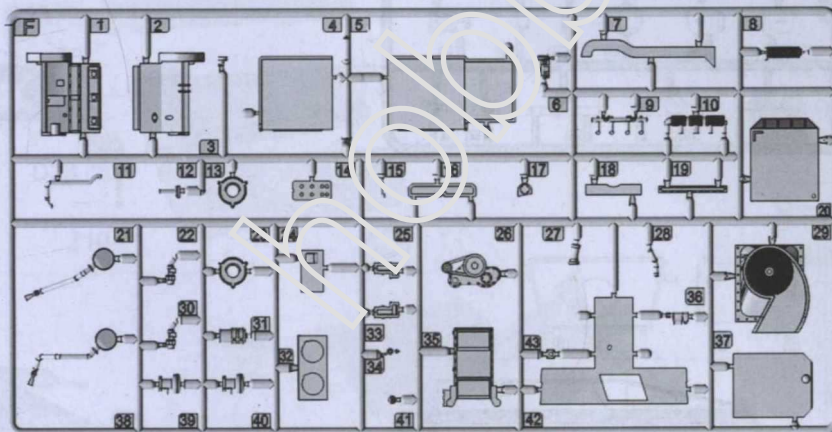
C x1



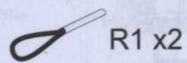
D x2



Z x1



F x1  
Limited edition only



Visit us at [www.Thundermodel.com](http://www.Thundermodel.com) for news, kit reviews links, gallery and assembly tips





Color info and profiles by



# BERGEPANZER 38 HETZER LATE

Ref: TM-35101

## Painting and Marking Guide

Germany, March 1945.

A.MIG 003 Resedagrün

A.MIG 011 Dunkelgelb Aus '44 DG I

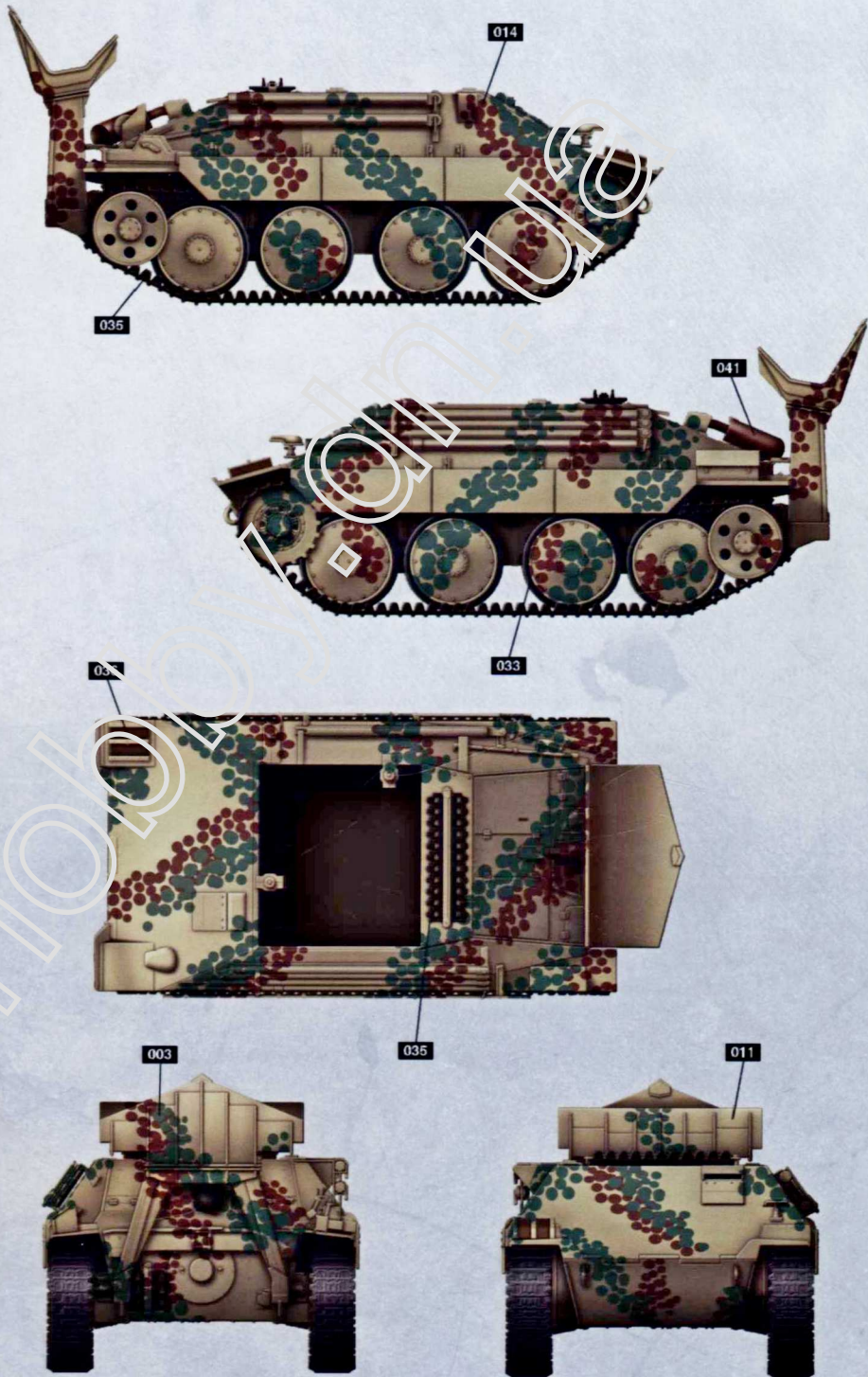
A.MIG 014 Rotbraun

A.MIG 033 Rubber & Tires

A.MIG 035 Dark Tracks

A.MIG 036 Old Wood

A.MIG 041 Dark Rust





Color info and profiles by



# BERGEPANZER 38 HETZER LATE

Ref: TM-35101

## Painting and Marking Guide

Rhineland, 1945.

A.MIG 004 B Resedagrün

A.MIG 012 Dunkelgelb Aus '44 DG III

A.MIG 014 Rotbraun

A.MIG 033 Rubber & Tires

A.MIG 035 Dark Tracks

A.MIG 036 Old Wood

A.MIG 041 Dark Rust

