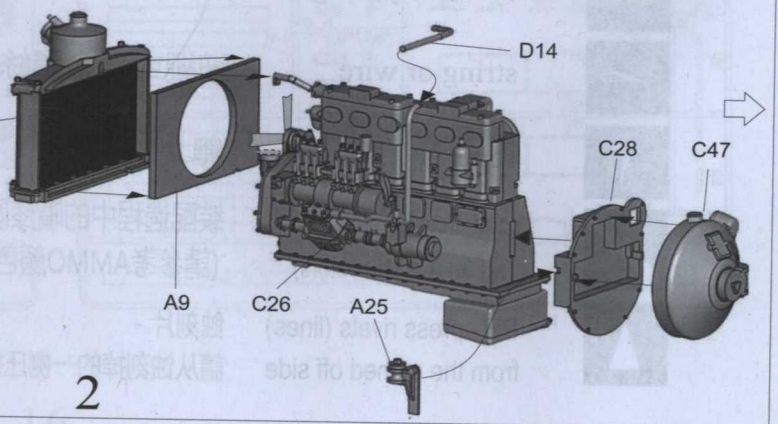
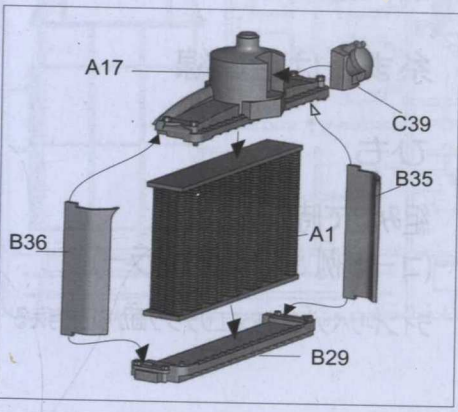
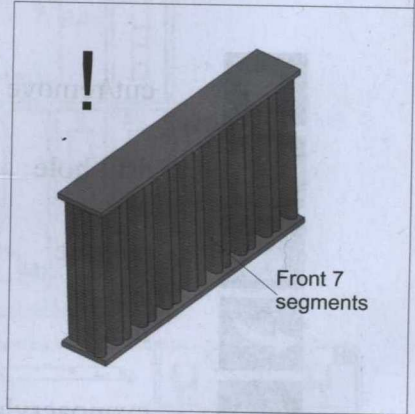
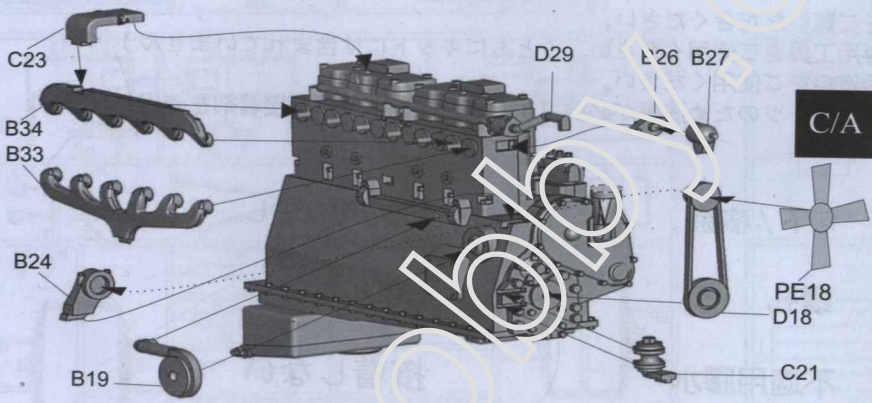
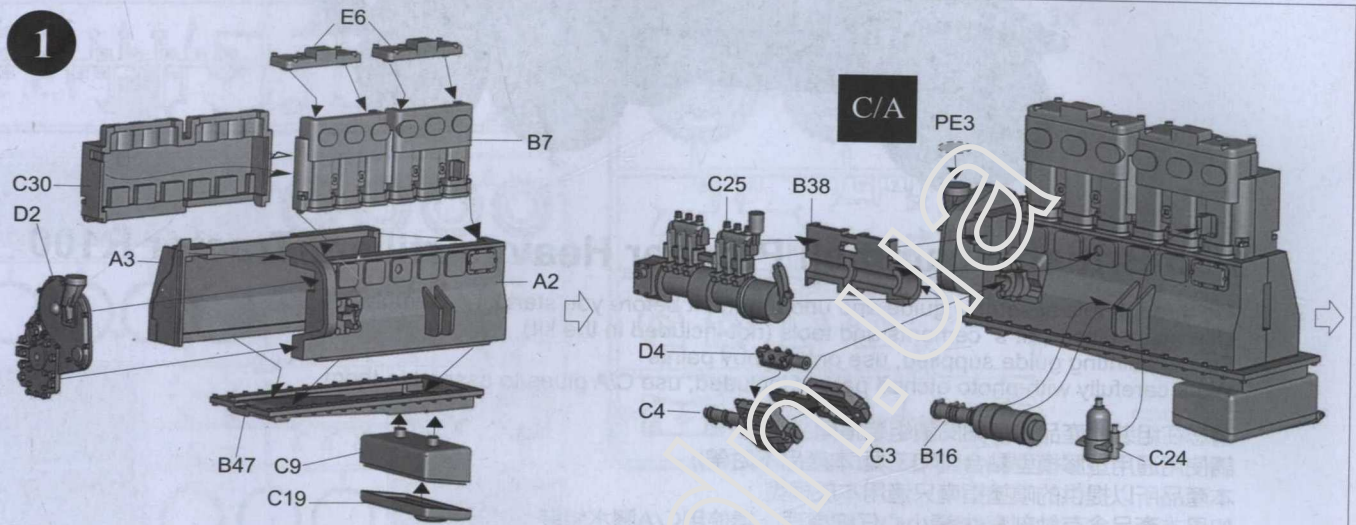


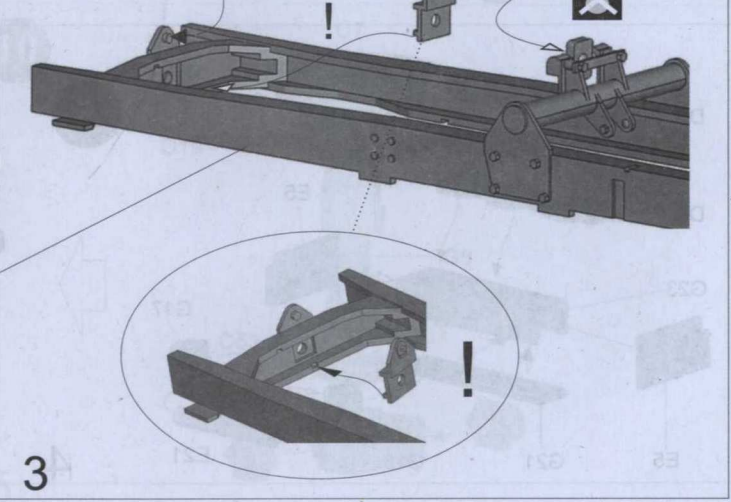
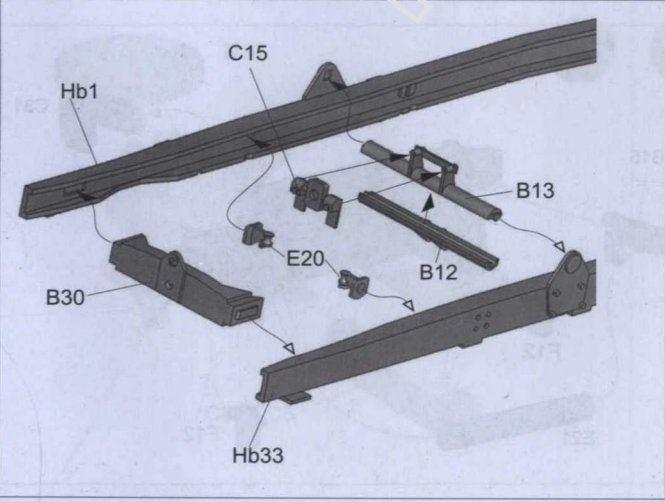
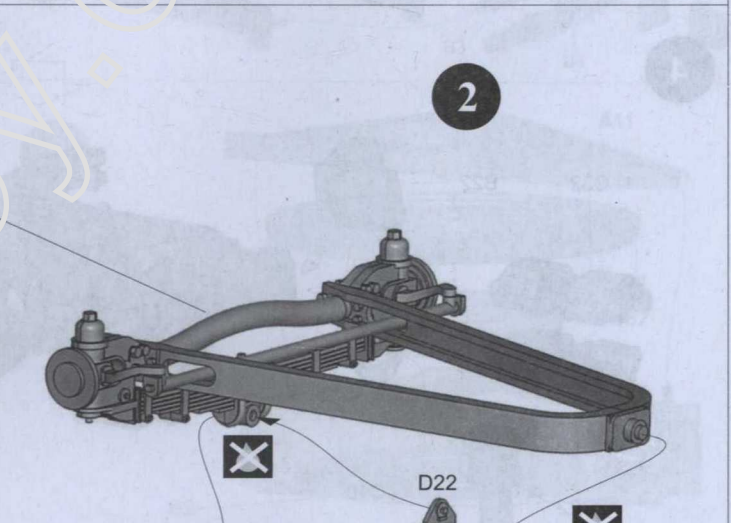
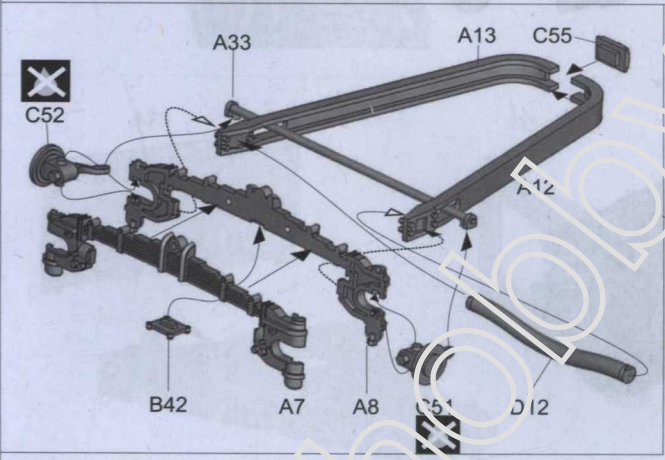
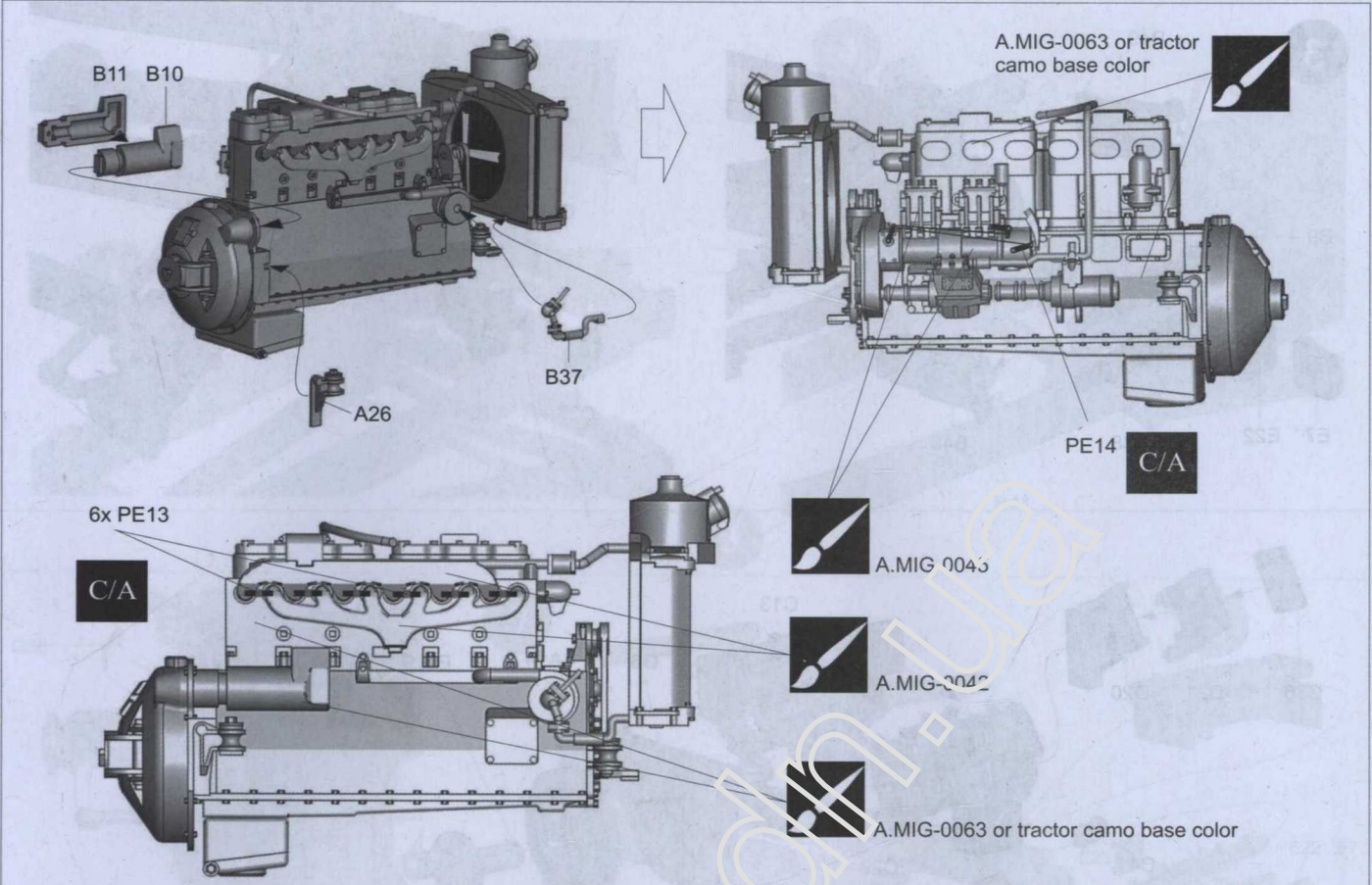
The Scammell Pioneer was a British 6x4 tractor used in the Second World War as an artillery tractor, recovery vehicle and tank transporter. Pioneers purchased by the British Army were equipped with a 102 bhp Gardner 6 cylinder diesel engine. The Pioneer R100 heavy artillery tractor was introduced in 1935 and used throughout WWII to tow medium and heavy artillery guns. 980 heavy artillery tractors were delivered by the end of the war. Our special thanks to Henri Van Meel for his help with references.

スカメルパイオニアは、第2次世界大戦中にアーティラリートラクター、リカバリーヴィークル、タンクトランスポーターとして使用された英国の4輪駆動の6輪トラクターです。イギリス軍が購入したパイオニアには、102馬力のガードナー6気筒ディーゼルエンジンが装備されていました。パイオニアR100ヘヴィーアーティラリートラクターは1935年に導入され、第二次世界大戦中に中型及び大型の火砲を牽引していました。980両のパイオニアR100ヘヴィーアーティラリートラクターが配備され、戦争の終わりまで使用されました。

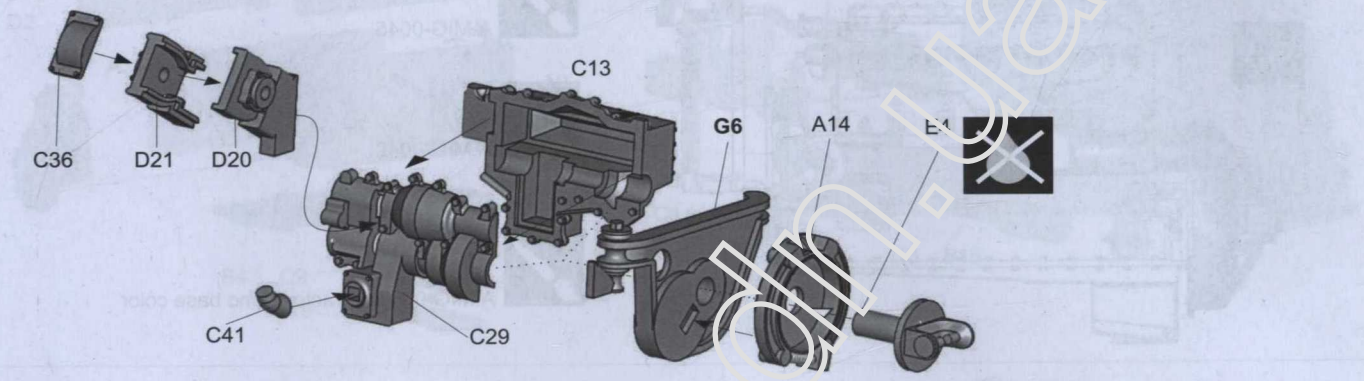
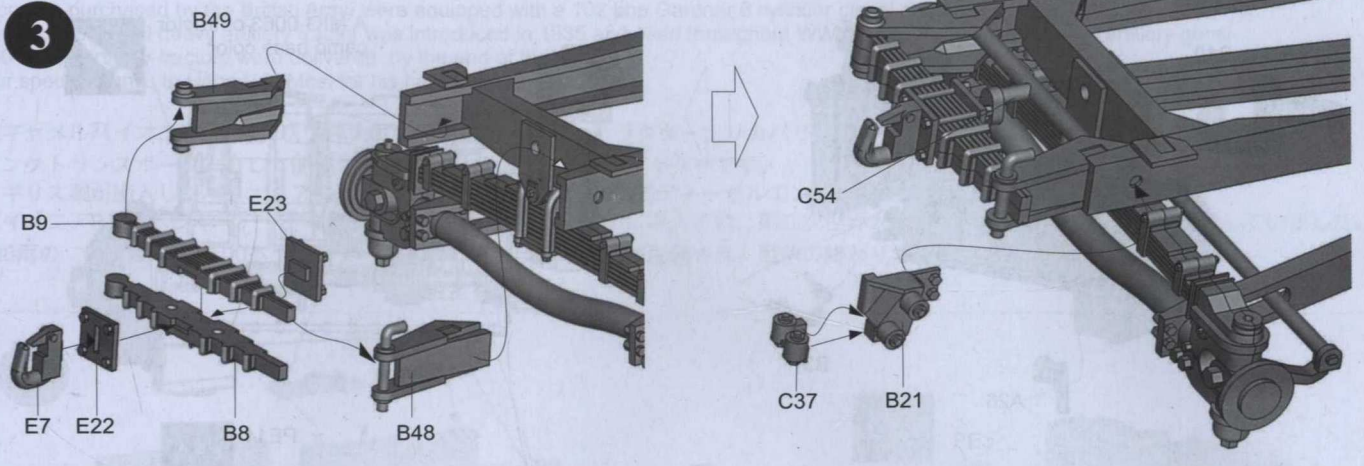
1



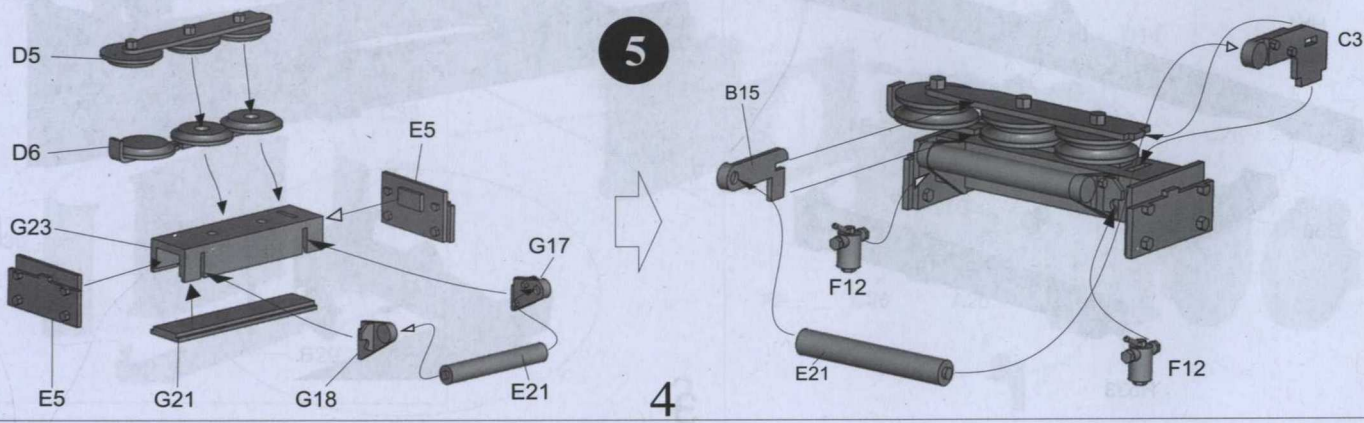
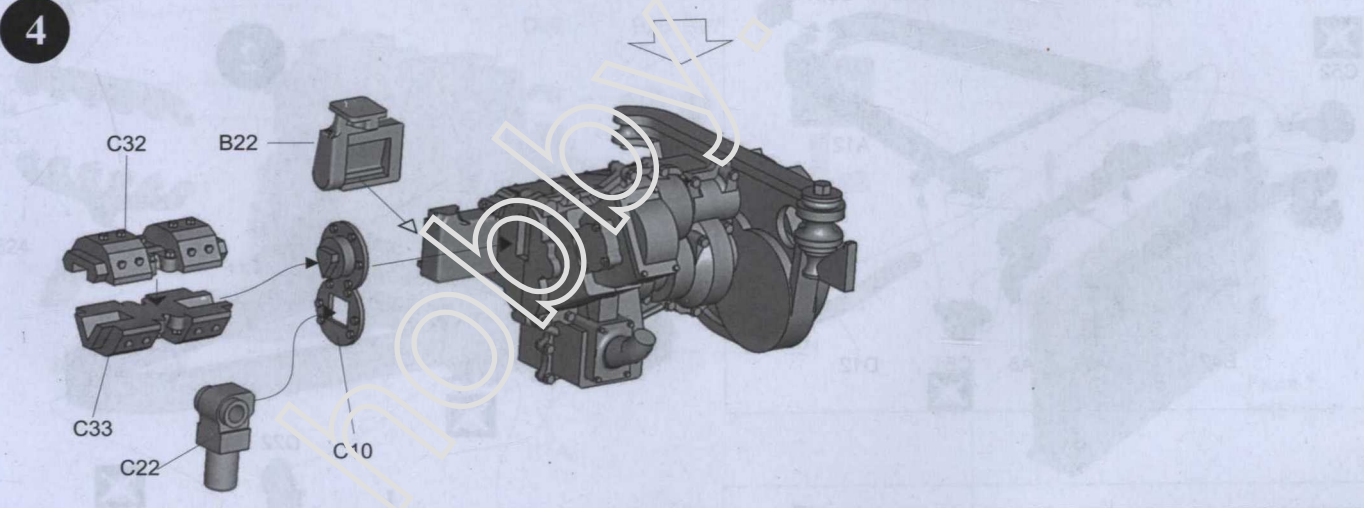
2

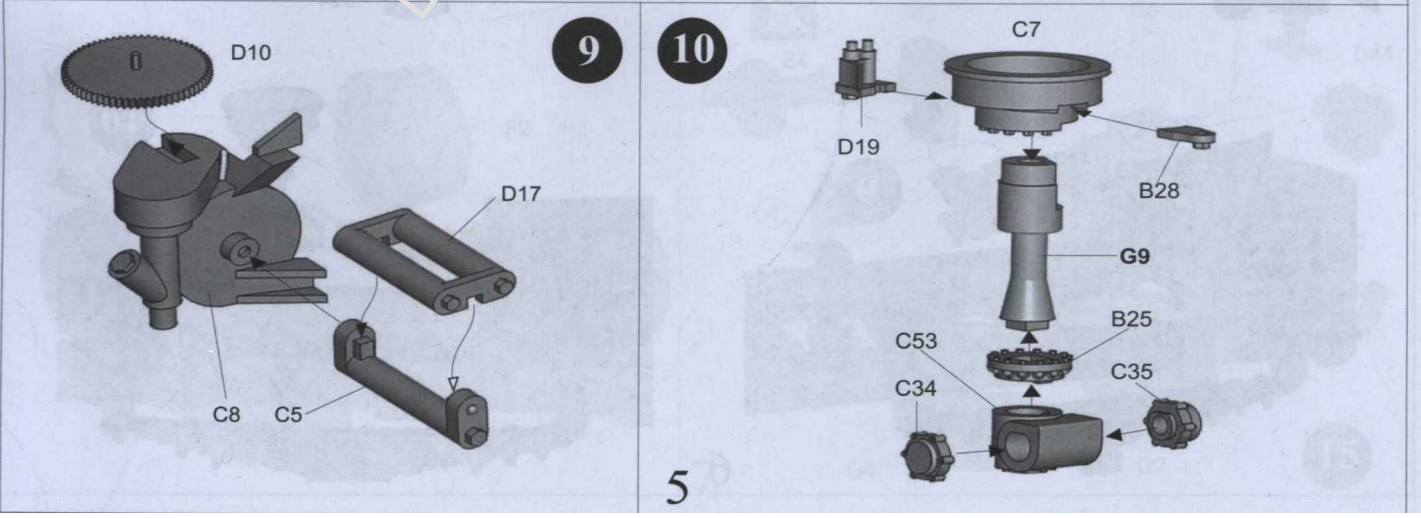
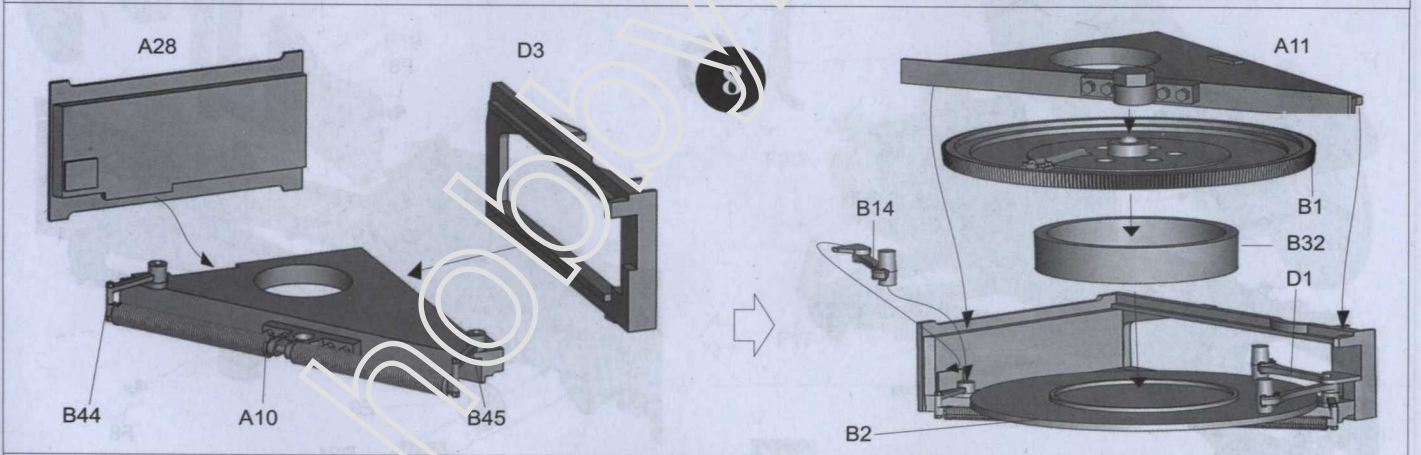
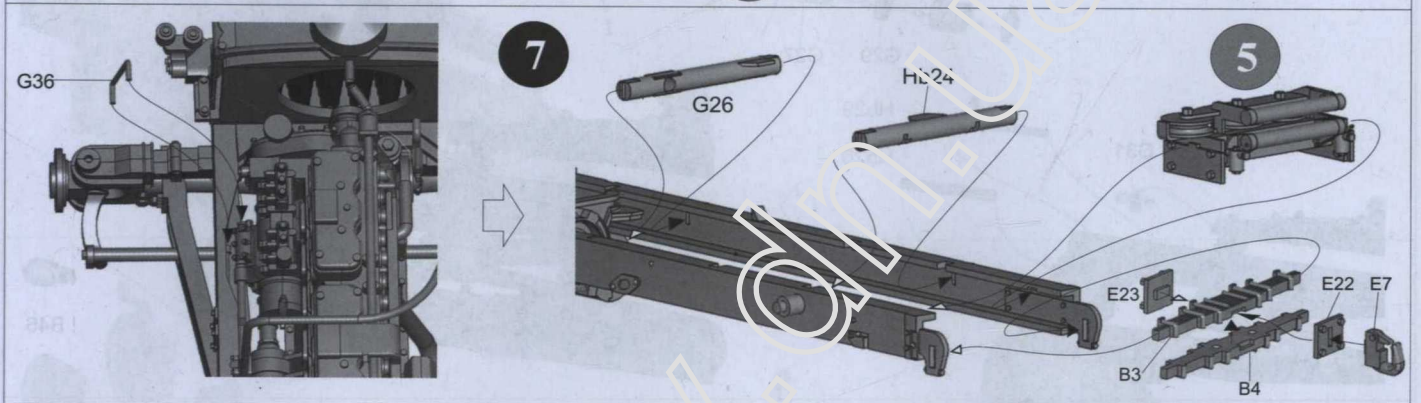
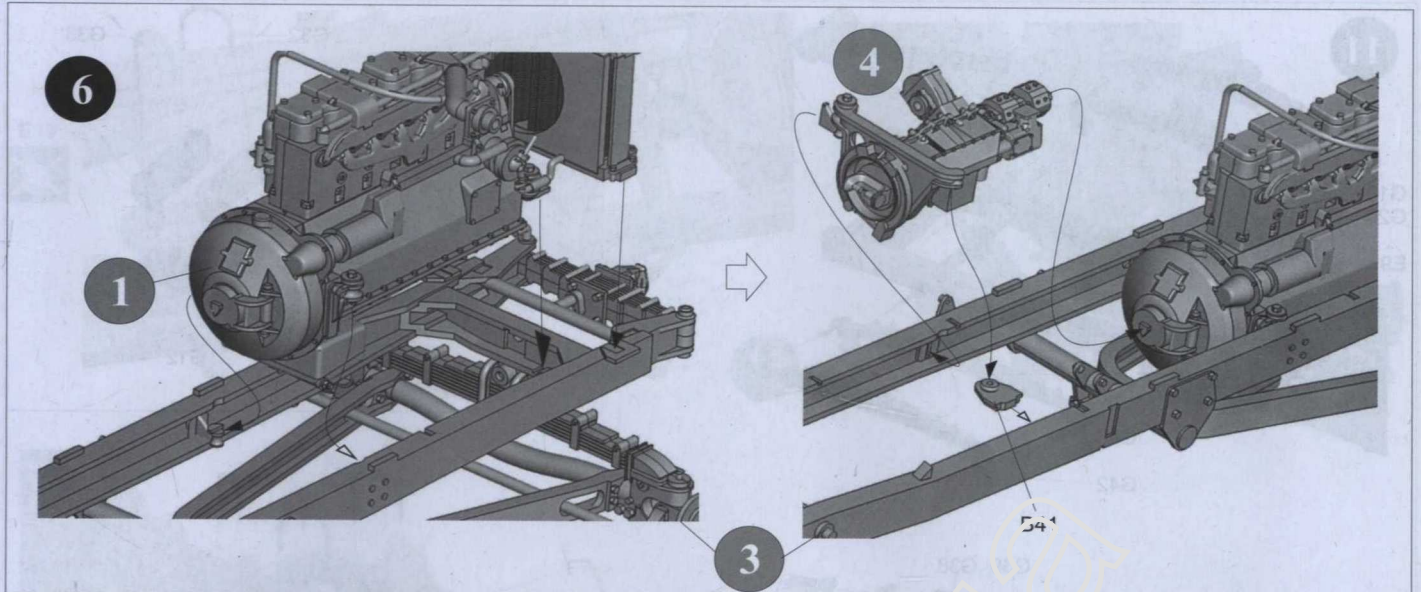


3

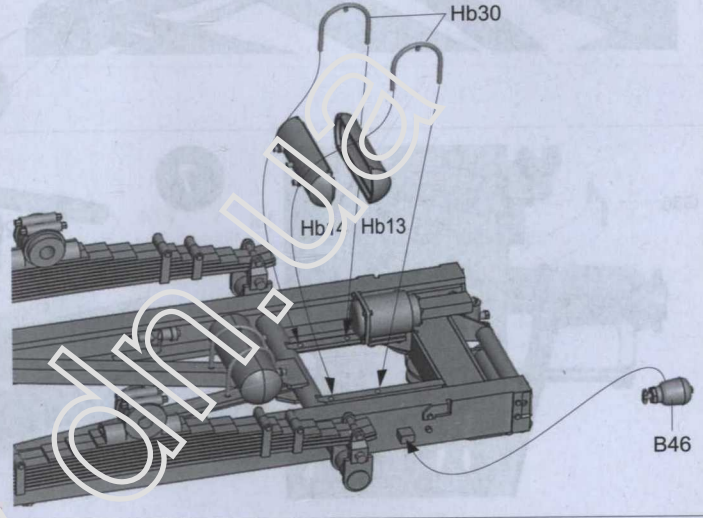
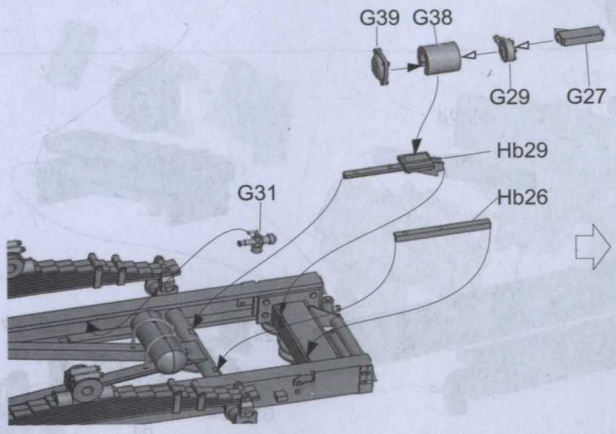
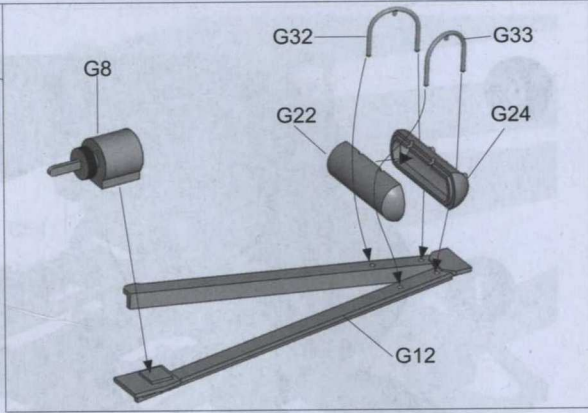
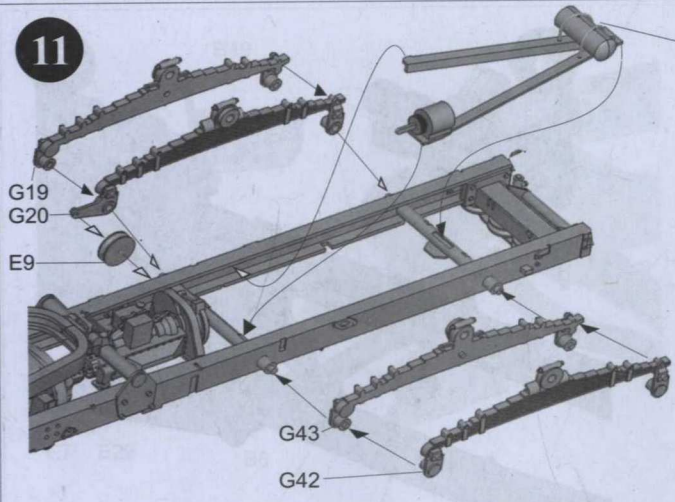


4

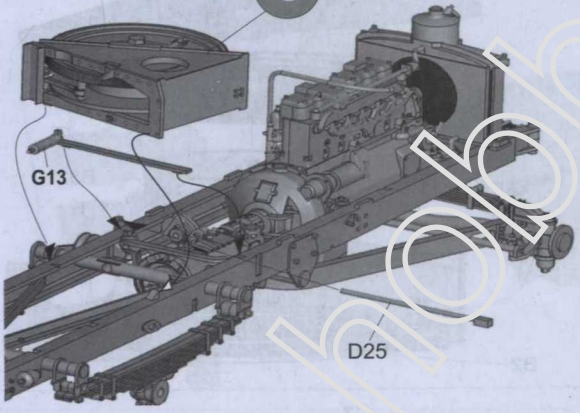




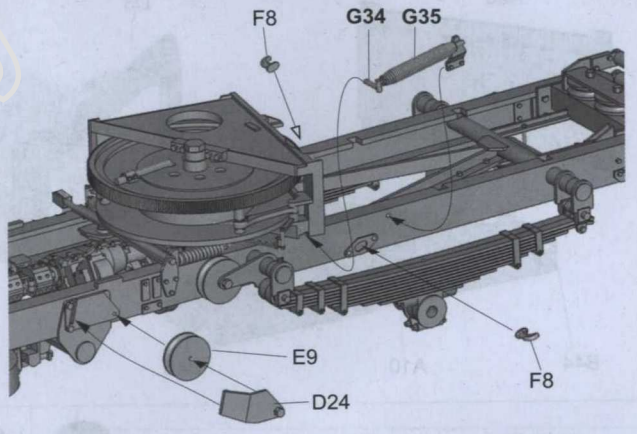
11



8

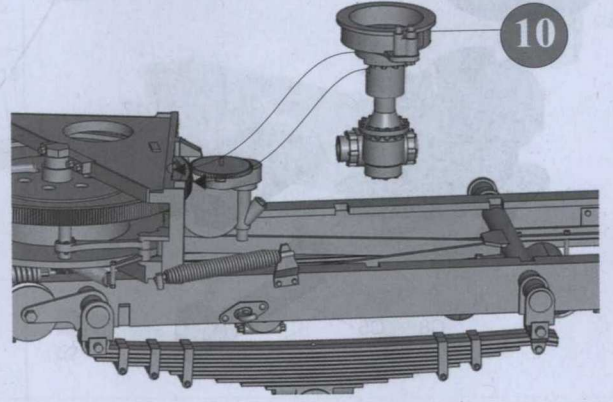
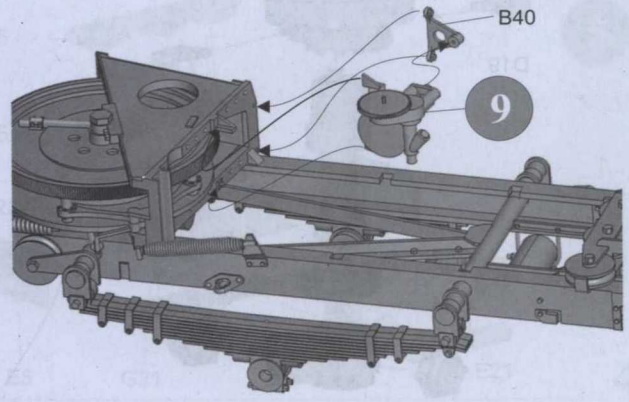


7

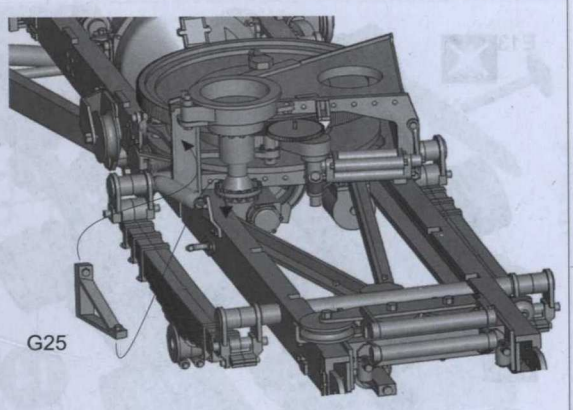
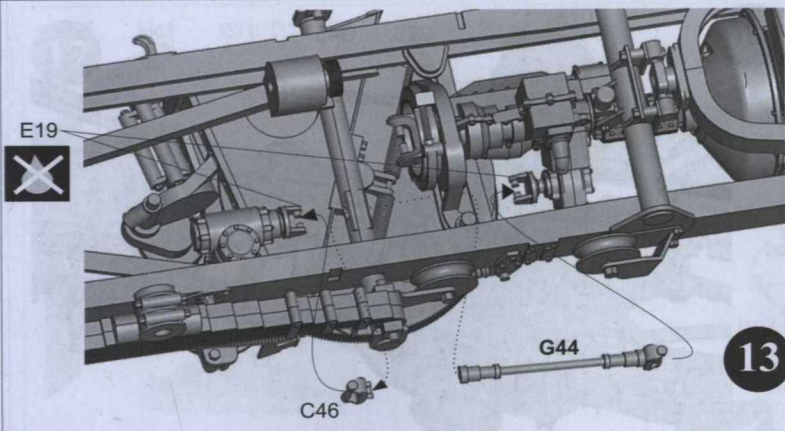


9

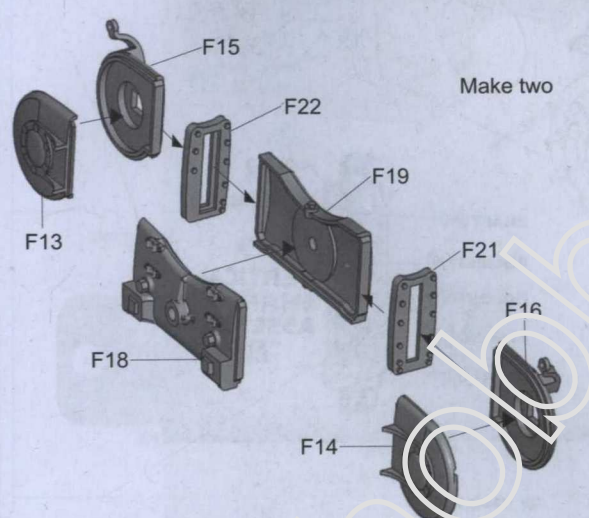
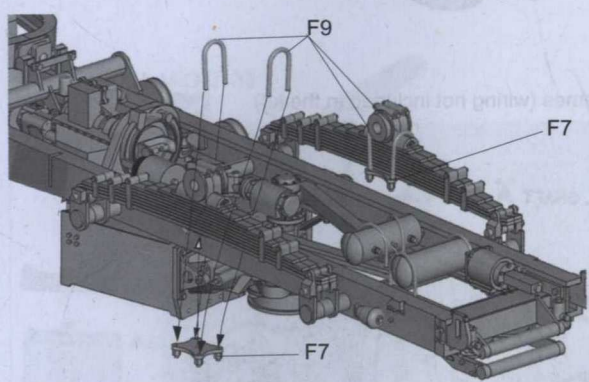
10



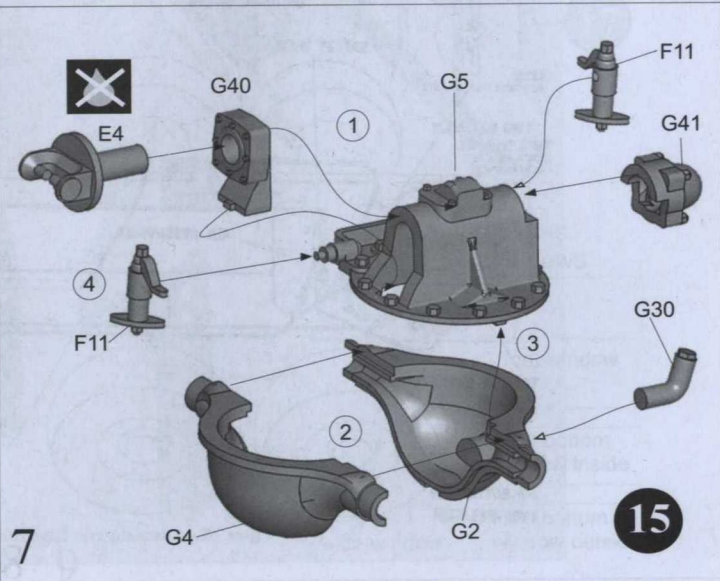
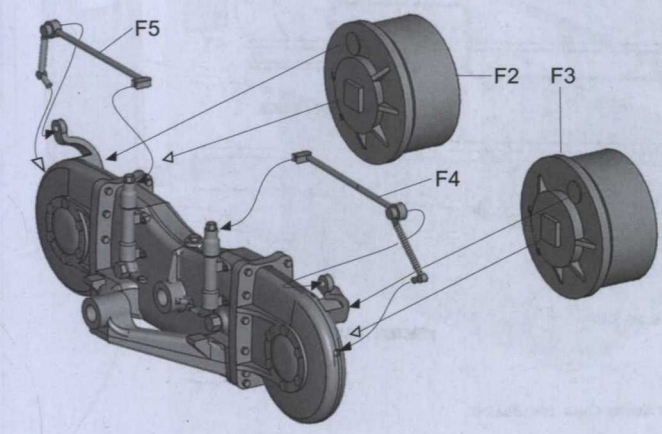
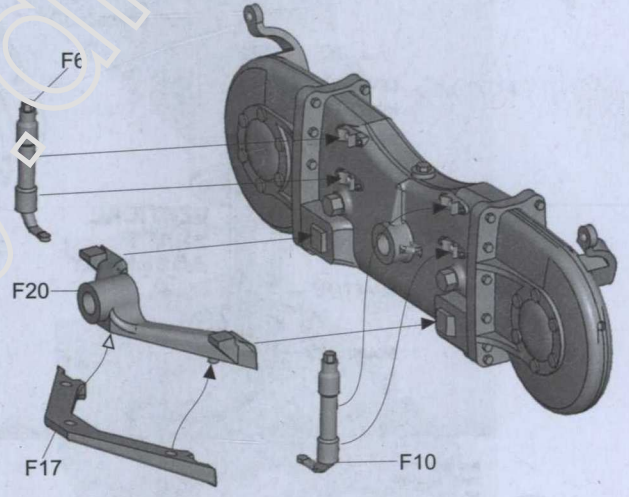
6



13

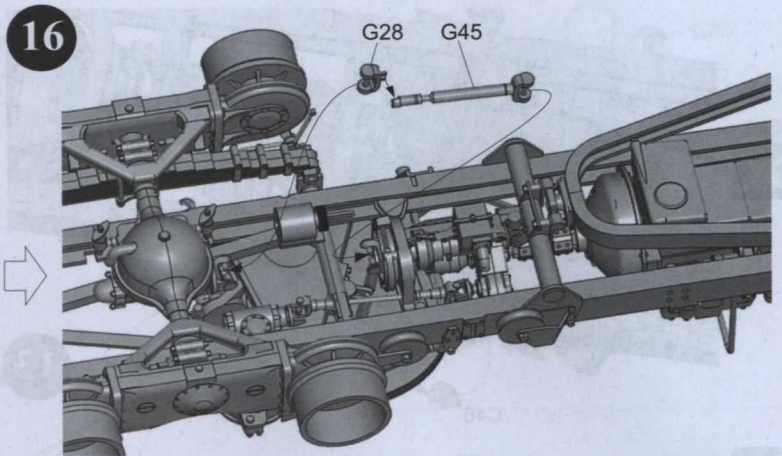
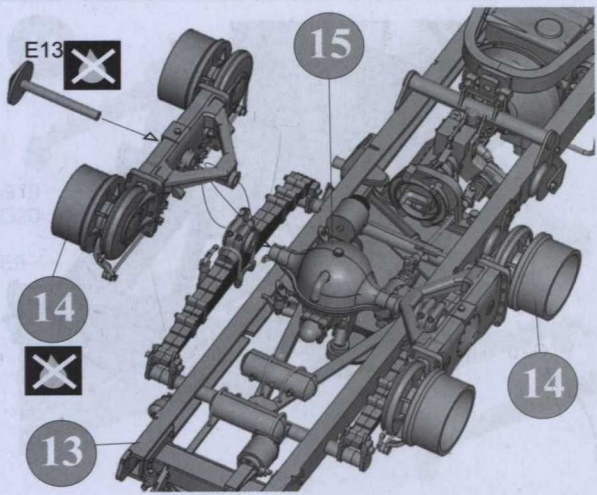


14



15

7



Optional detailing of drive axle gear and air linkage schemes (wiring not included in the kit)

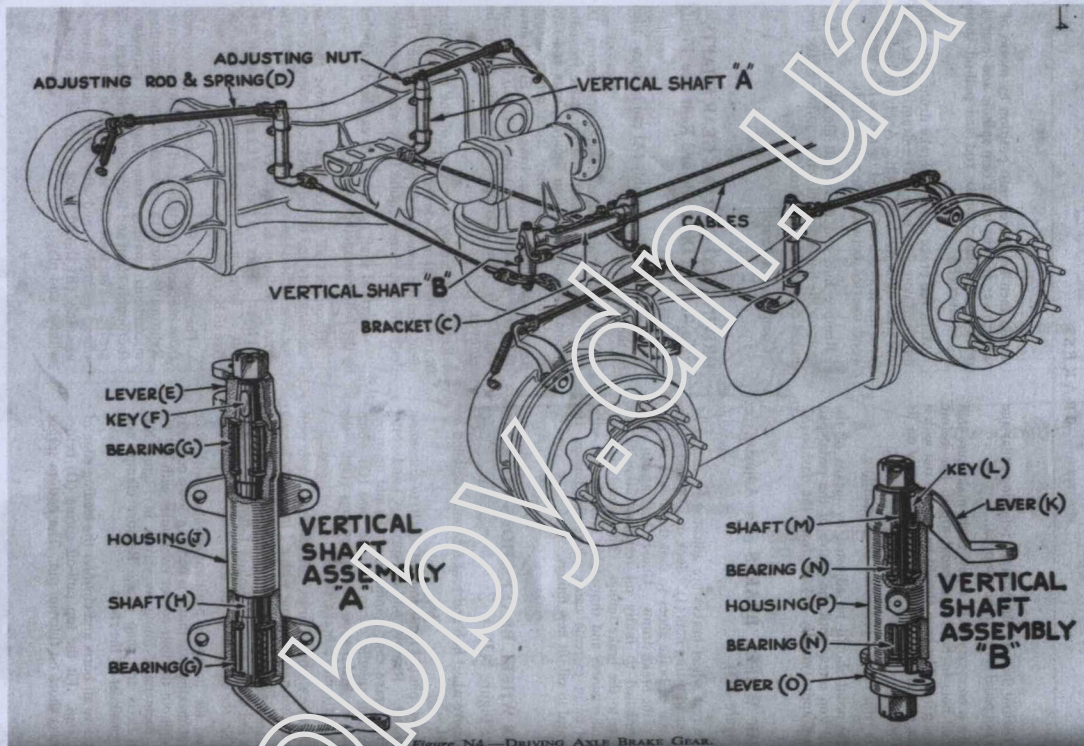


Figure N4.—DRIVING AXLE BRAKE GEAR.

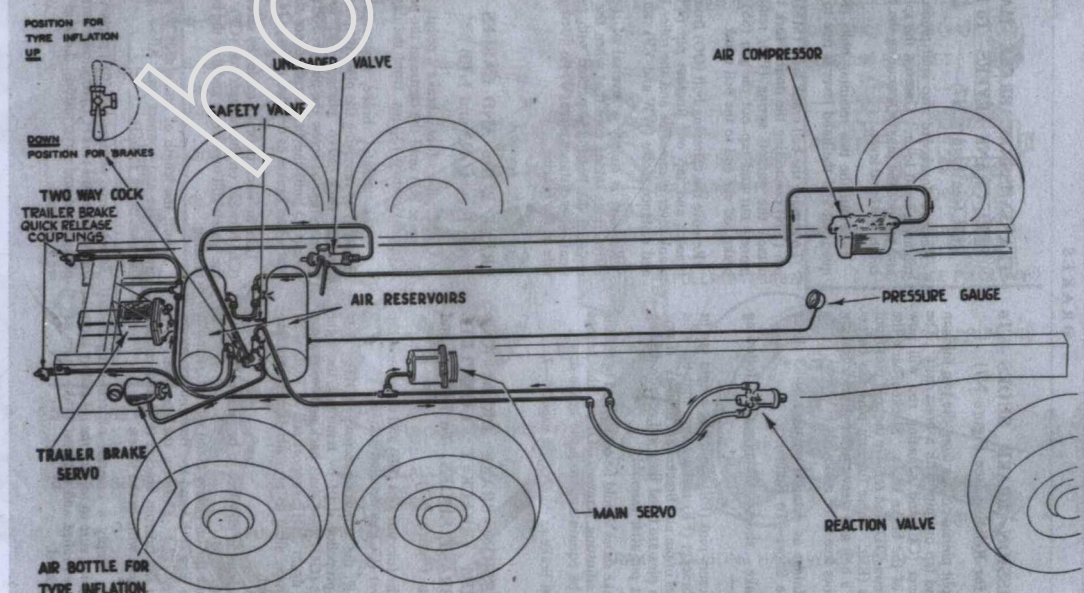
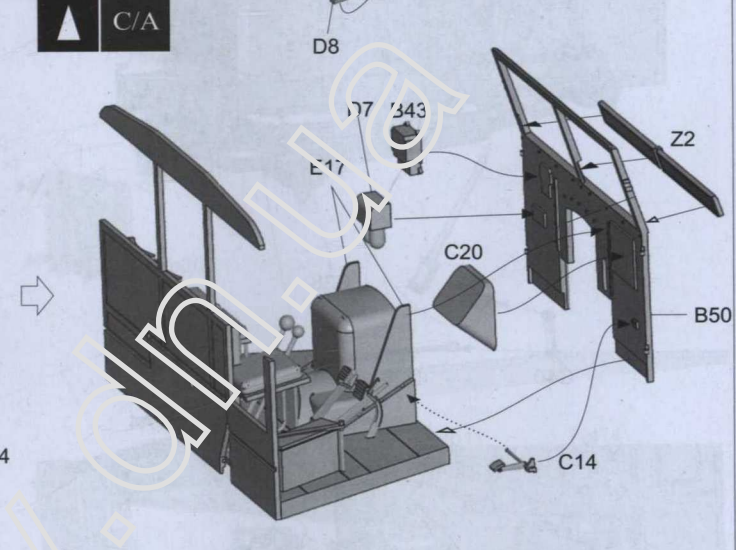
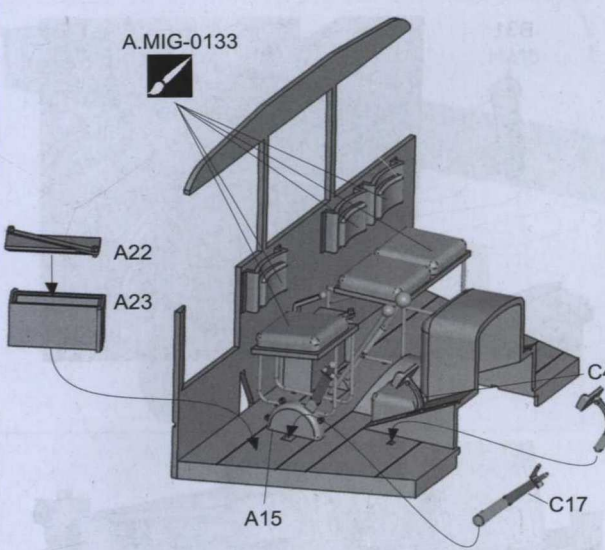
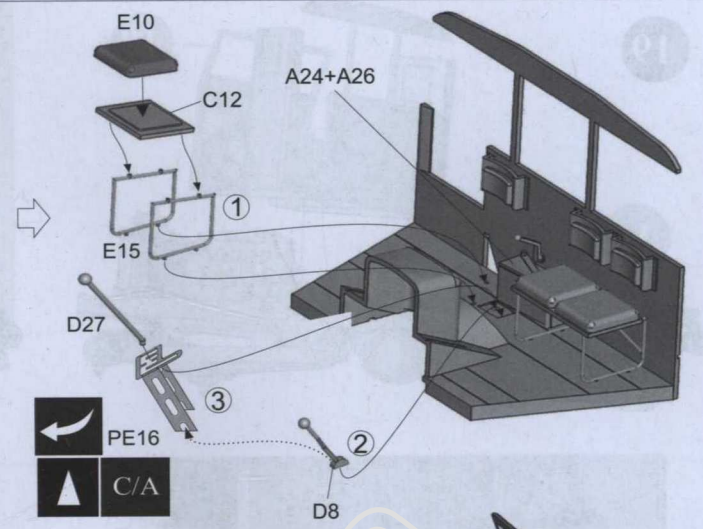
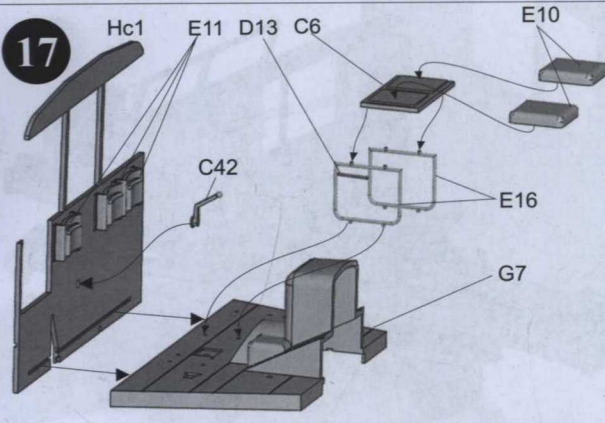
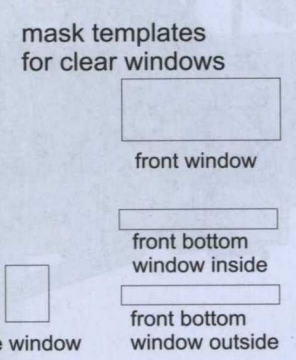
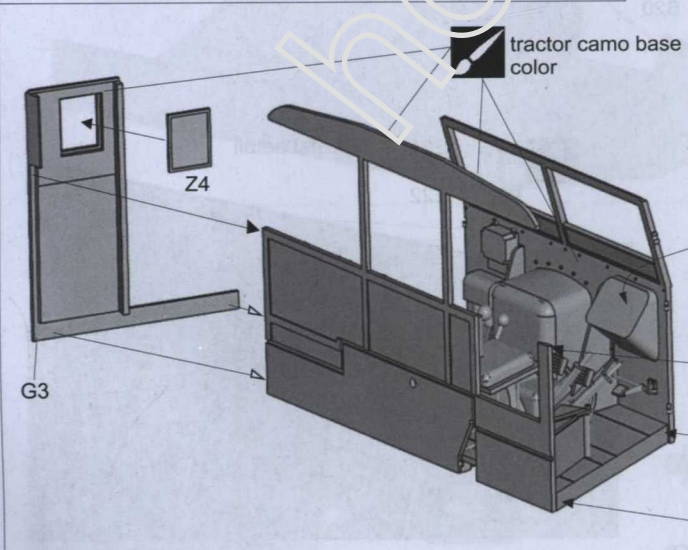
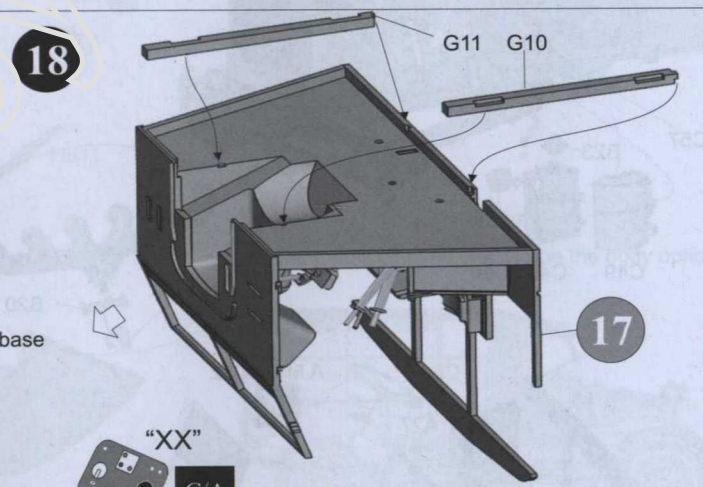
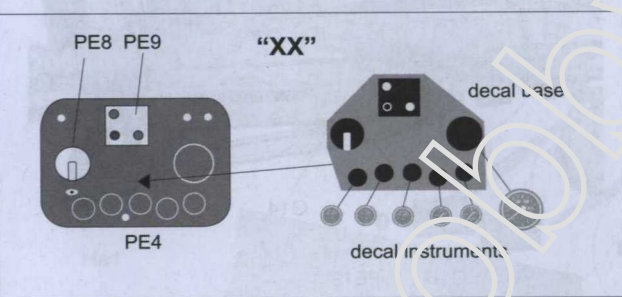


Figure N8.—DIAGRAMMATIC LAYOUT OF SERVO GEAR FOR BRAKES.

17



18

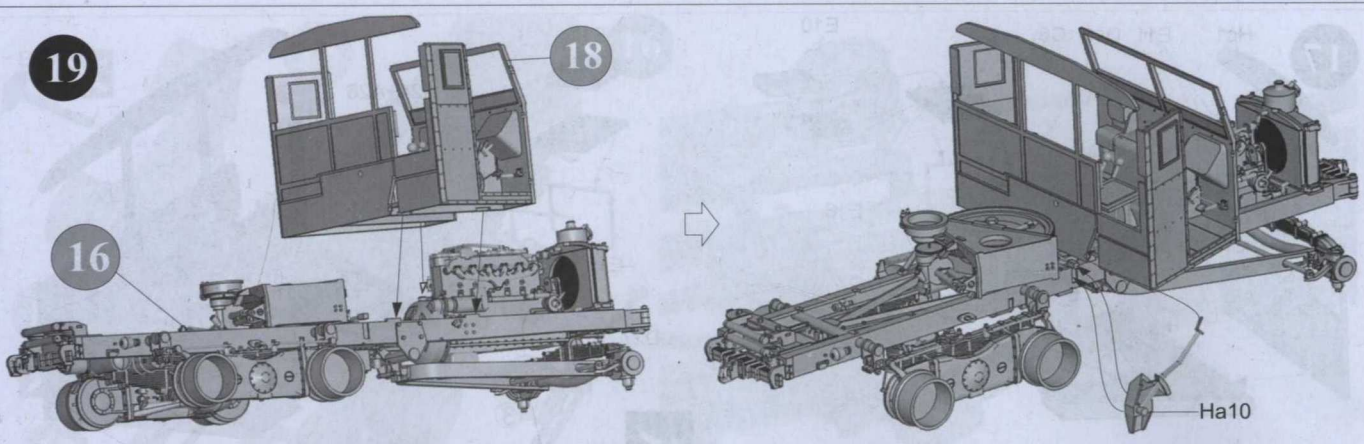


9

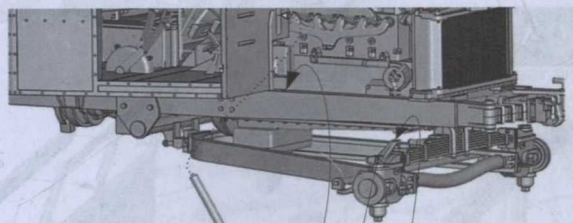
19

18

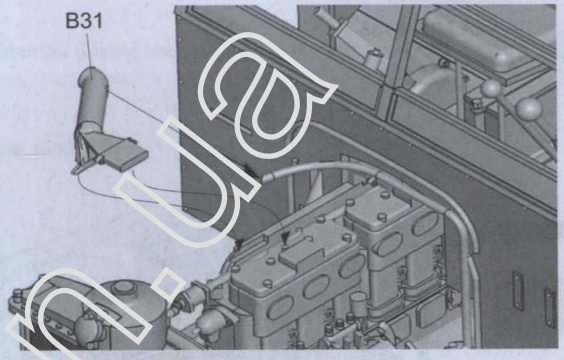
16



Ha10

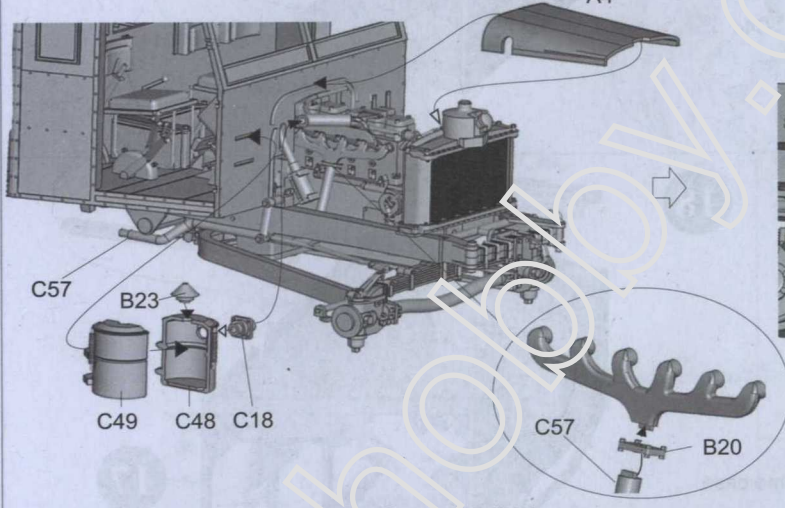


D28
D23
C38
C40
D26



B31

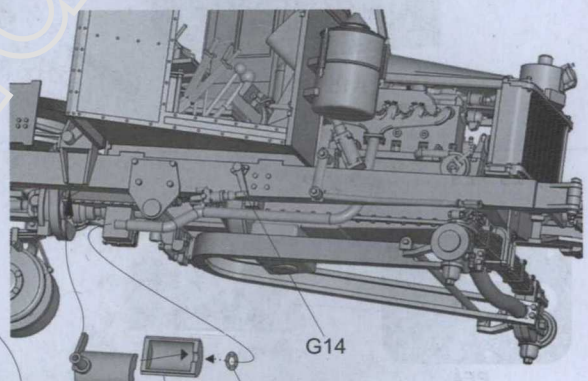
A4



C57
B23
C49
C48
C18

C57

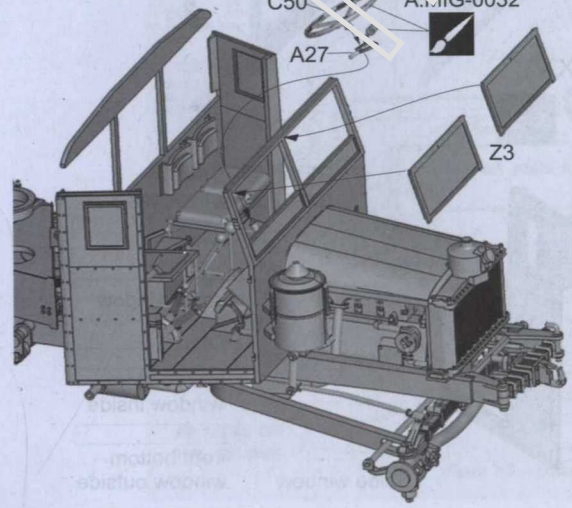
B20



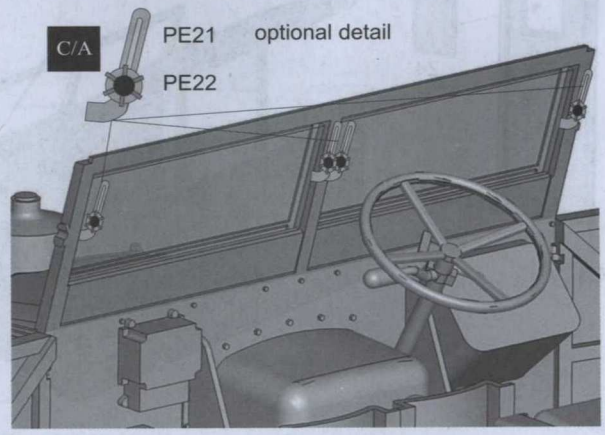
A18
C16
PE19

G14

C50
A27
A.MIG-0032

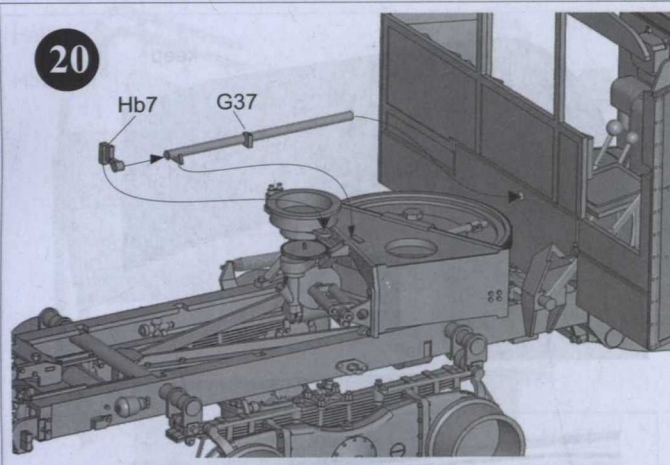


Z3

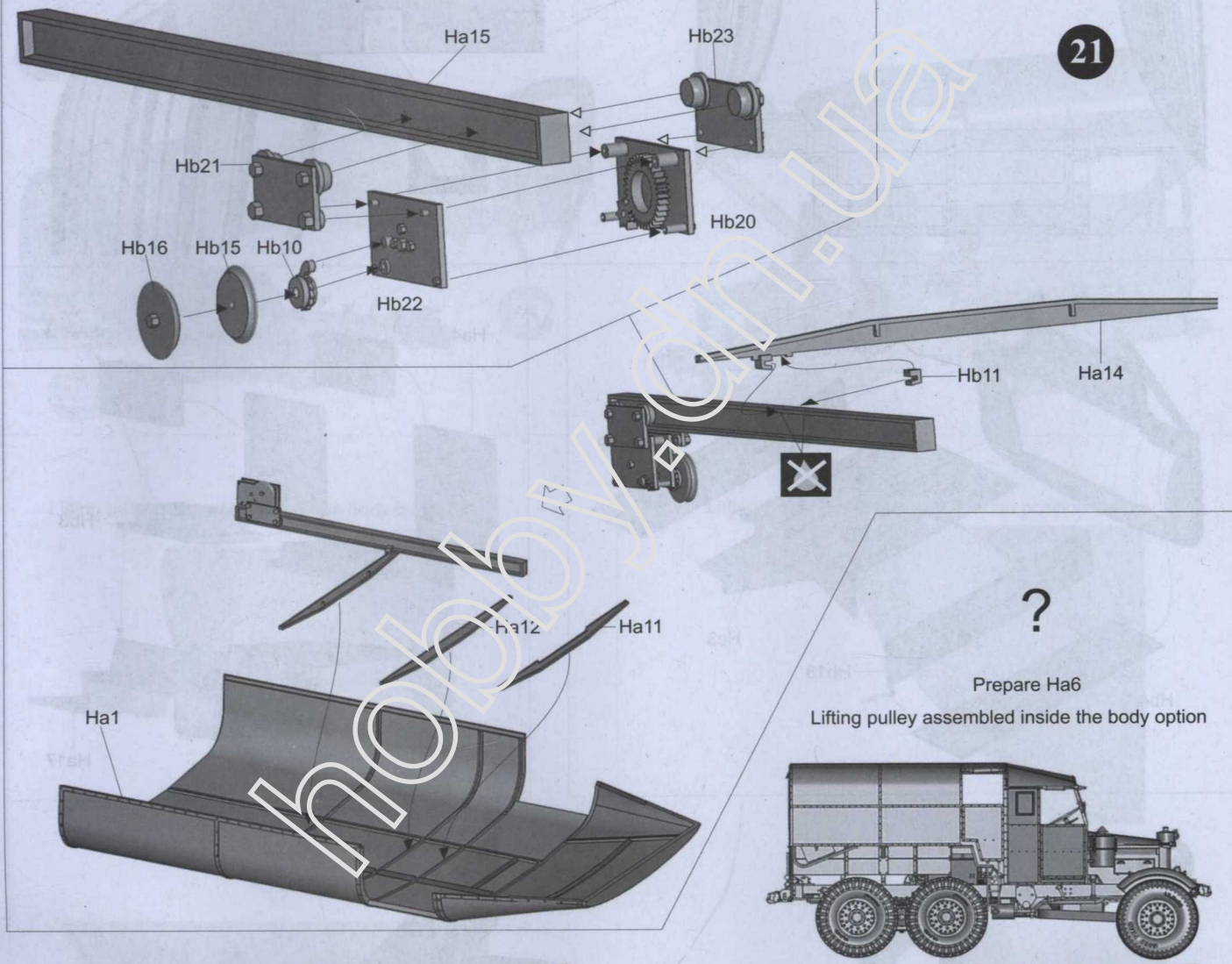


C/A PE21 optional detail
PE22

20

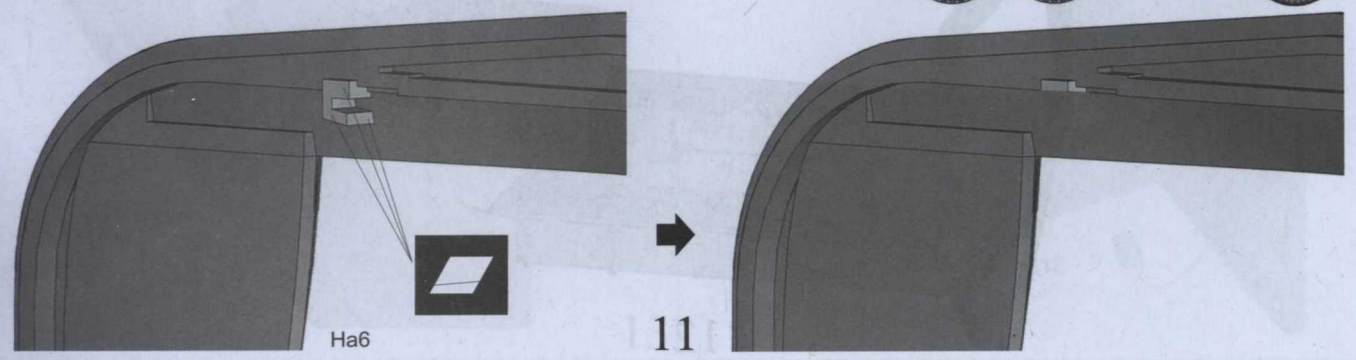
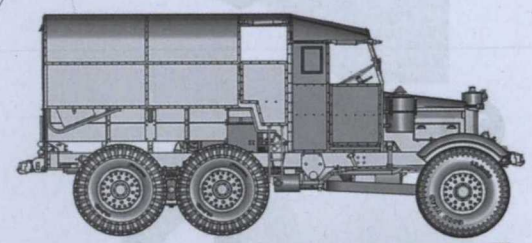


21



?

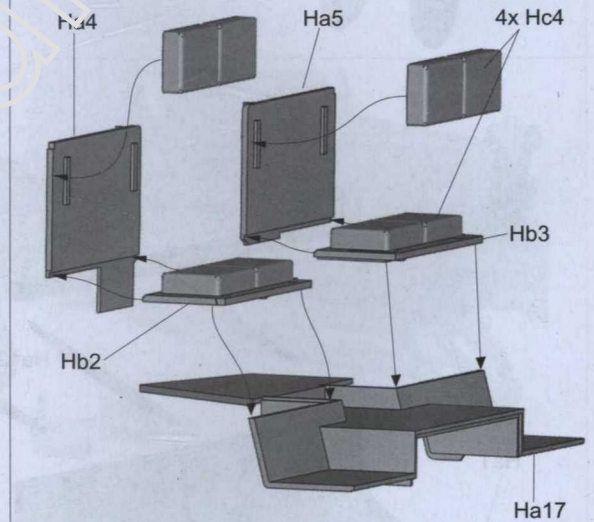
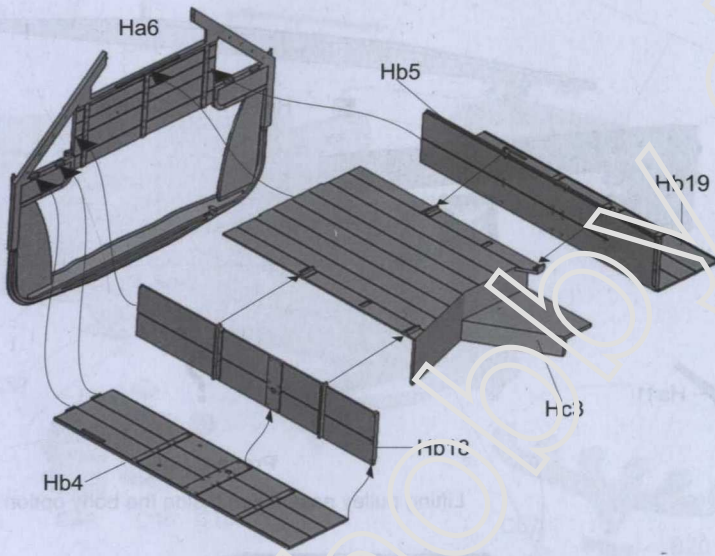
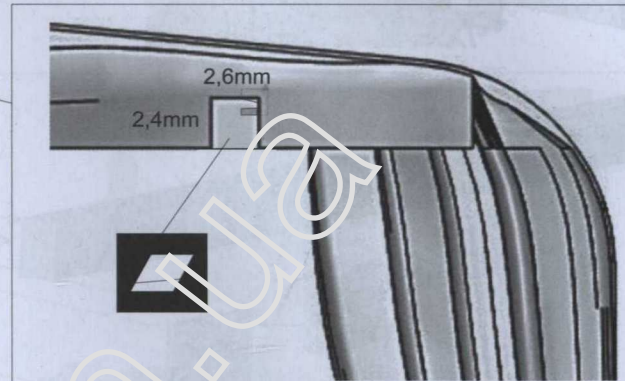
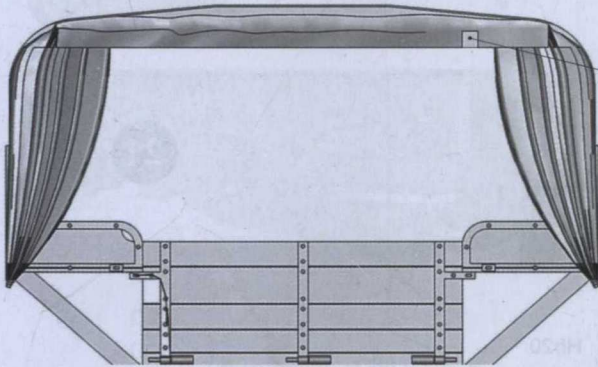
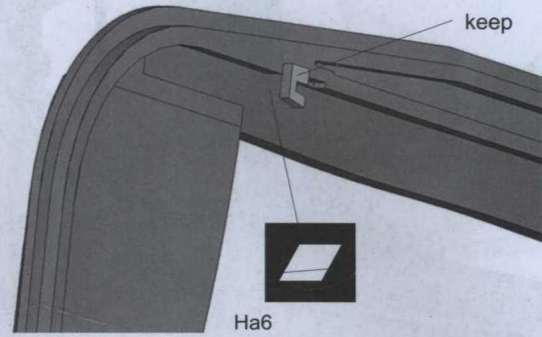
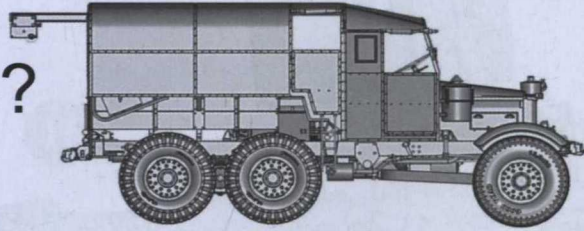
Prepare Ha6
Lifting pulley assembled inside the body option



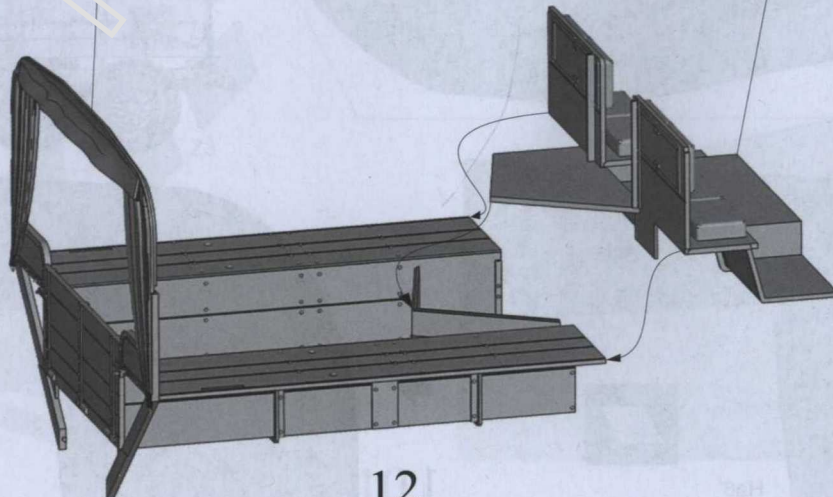
11

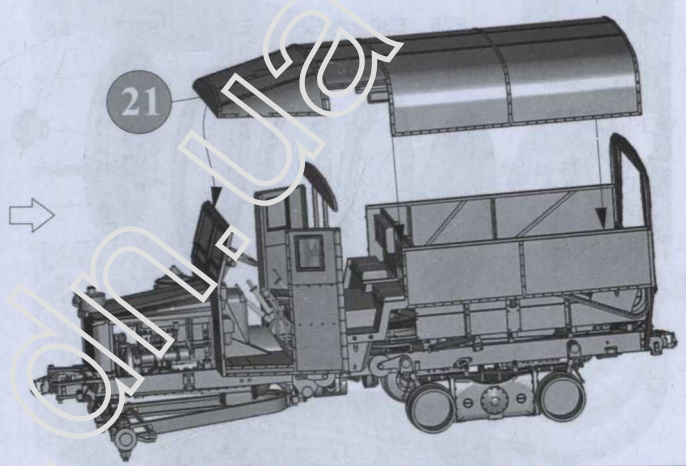
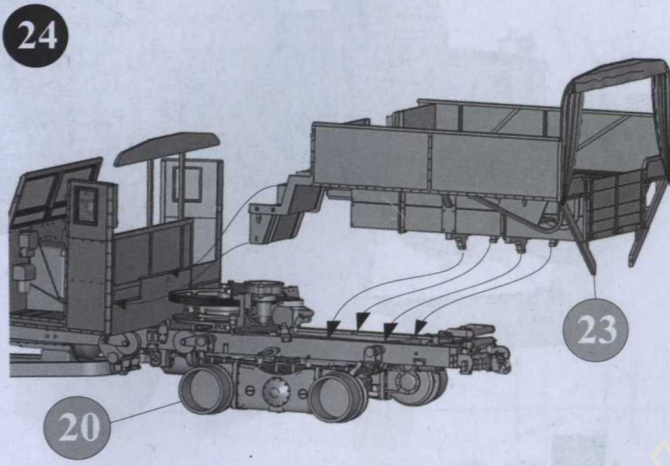
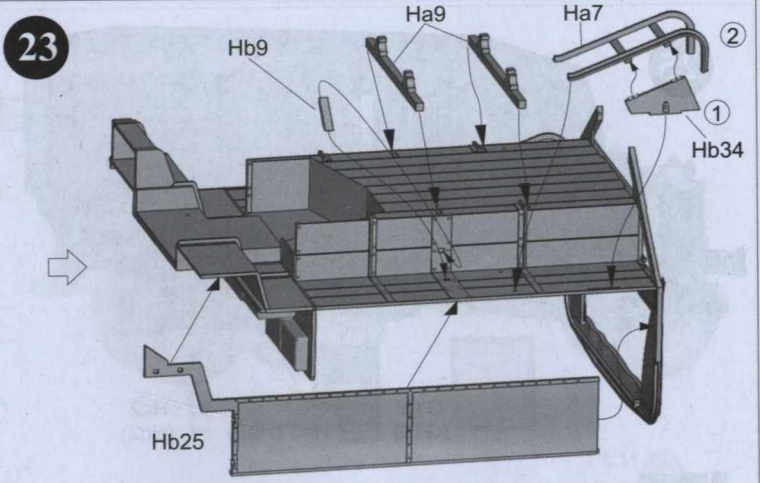
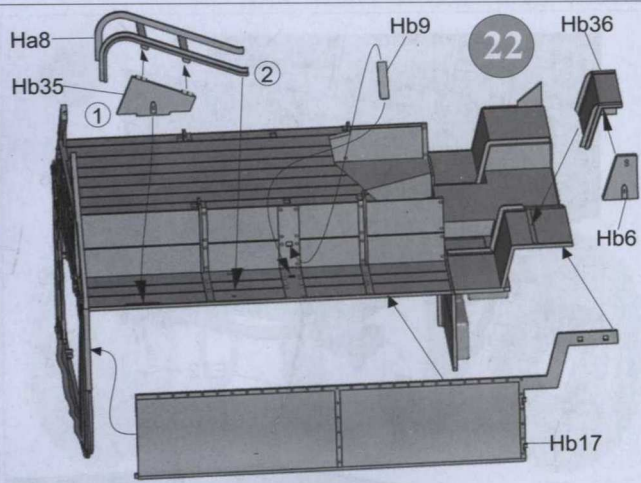
Prepare Ha6

Lifting pulley assembled in extended position option



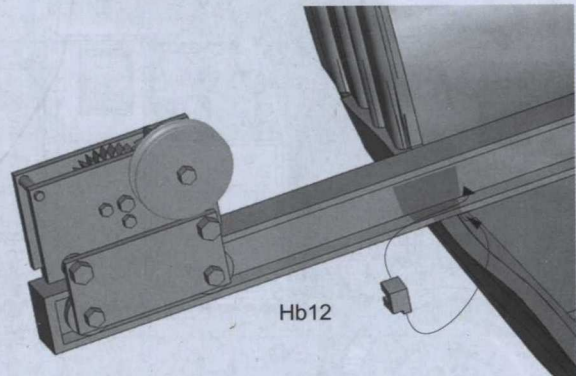
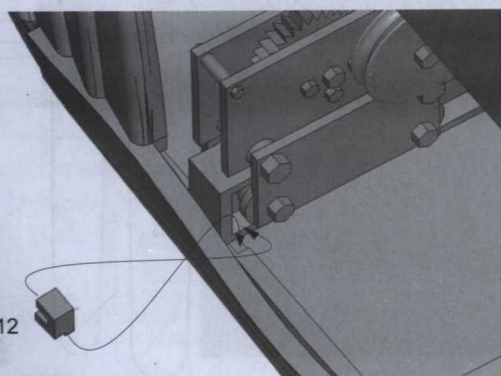
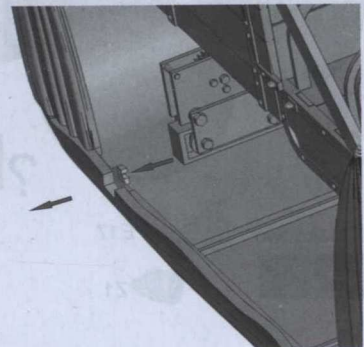
22



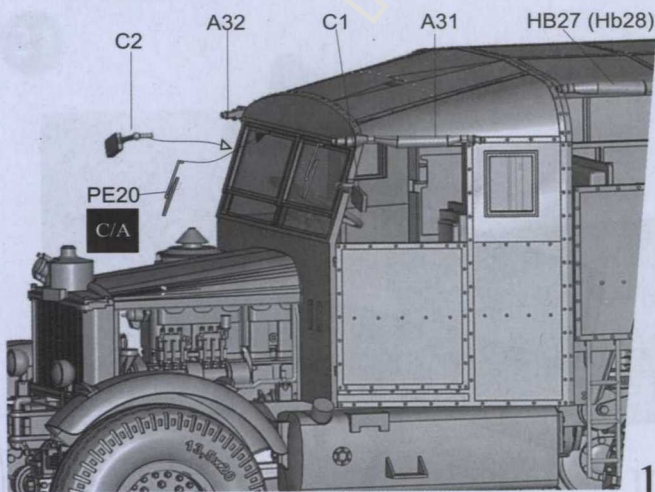
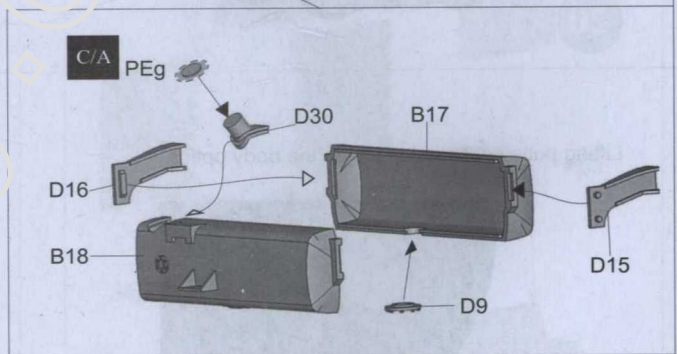
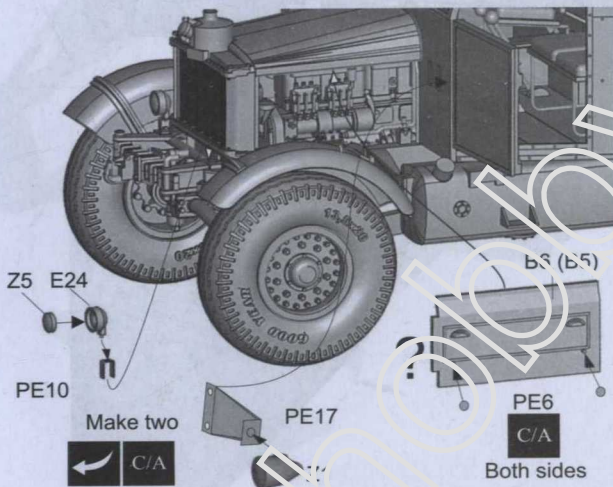
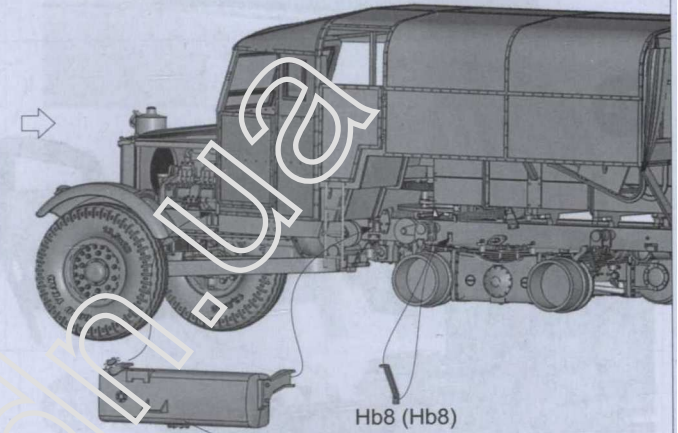
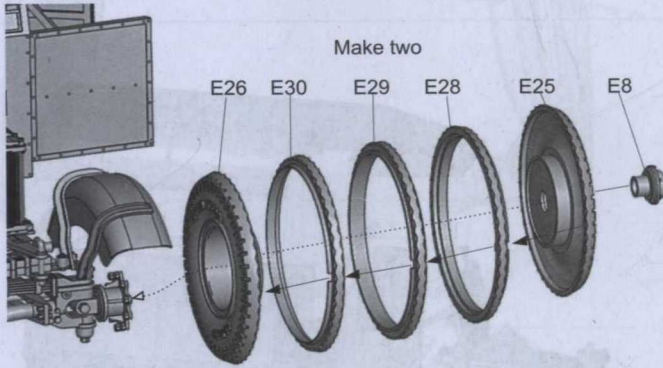
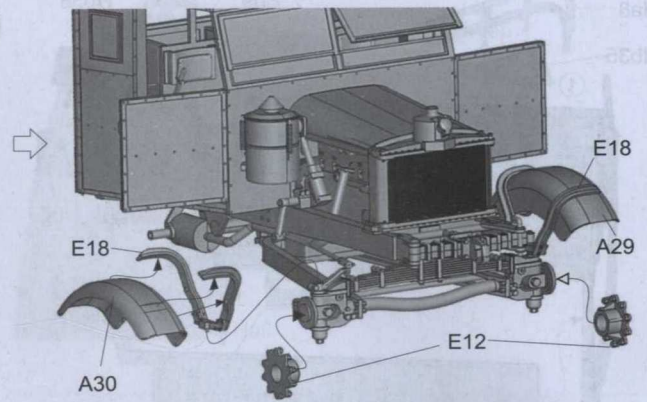
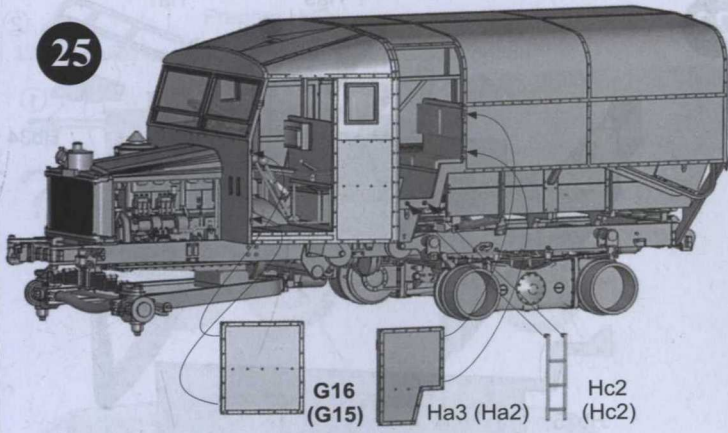


Lifting pulley assembled inside the body option

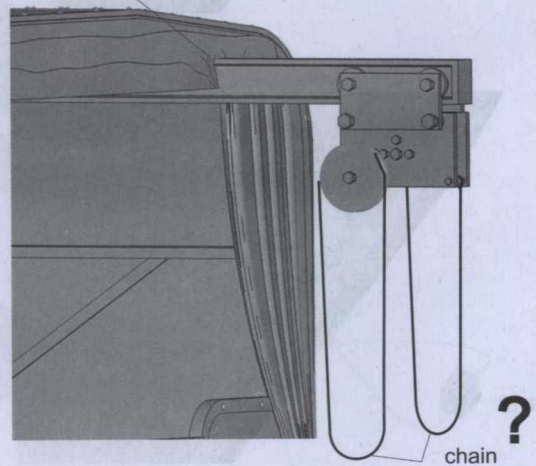
Lifting pulley assembled in extended position option



25



You can improve canvas around beam with soldering iron or 'hobby putty'

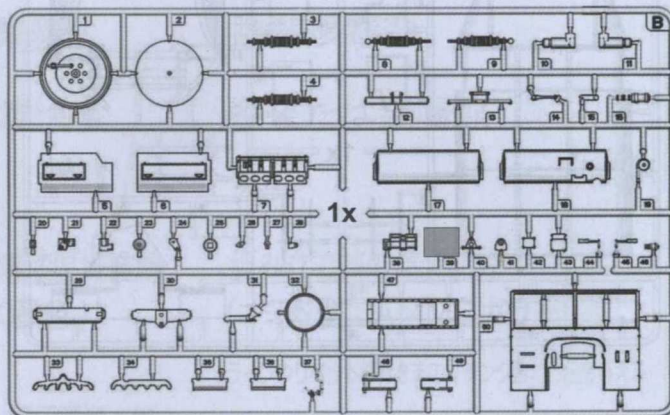
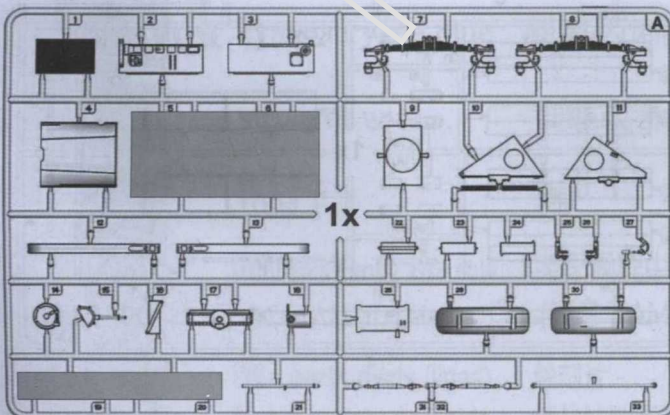
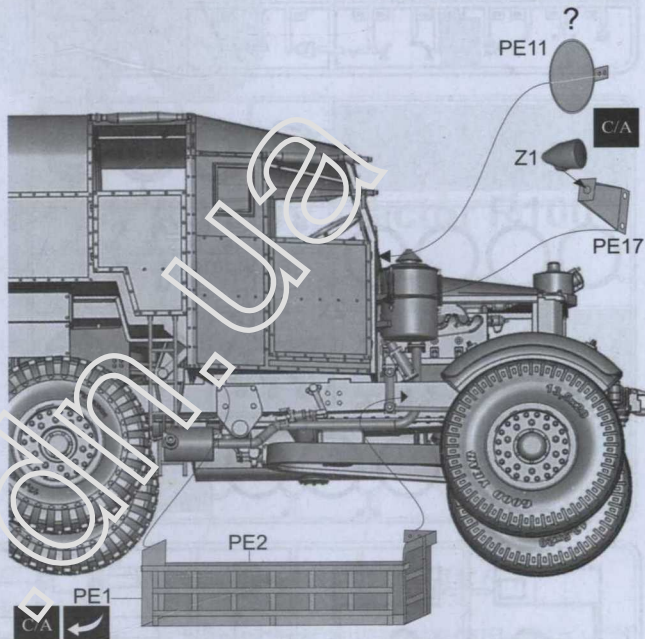
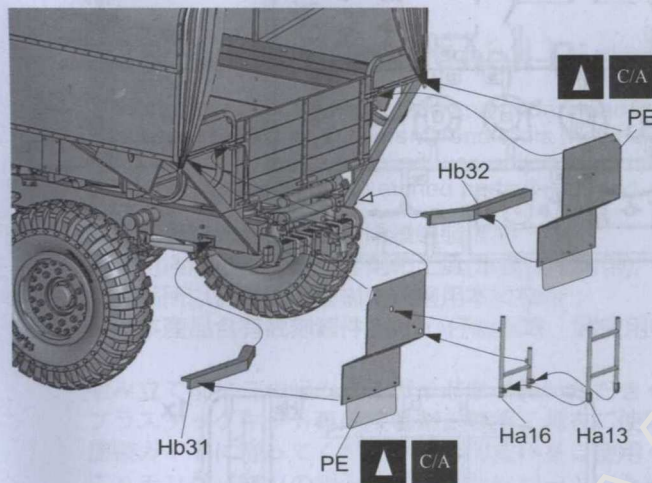
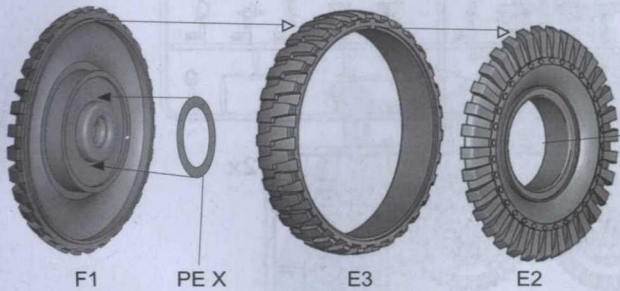
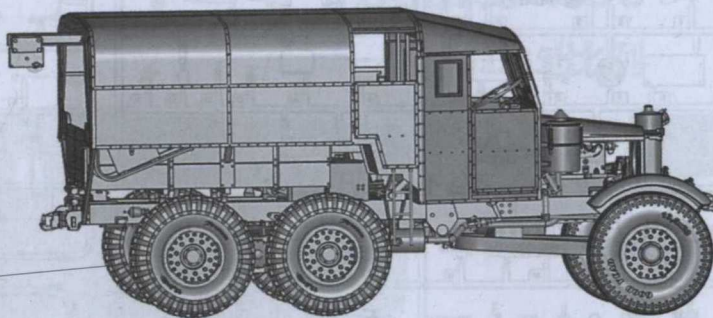


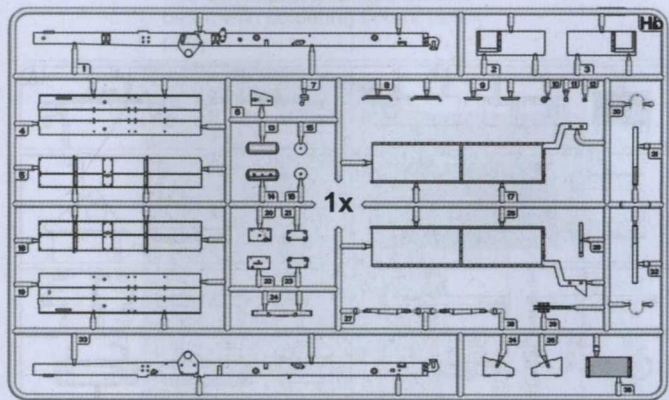
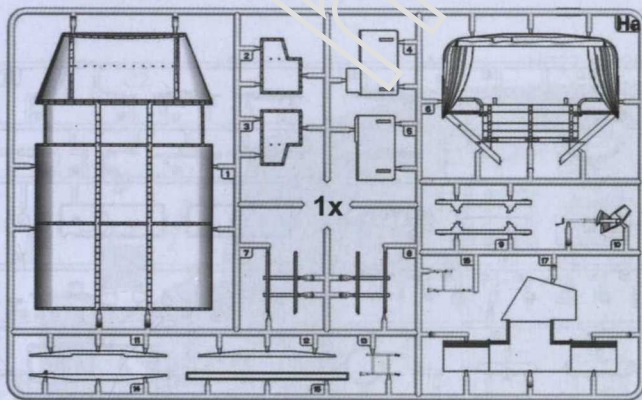
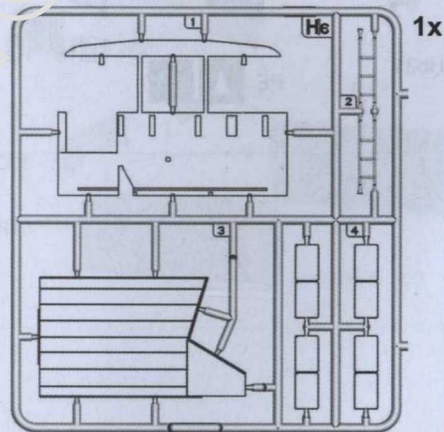
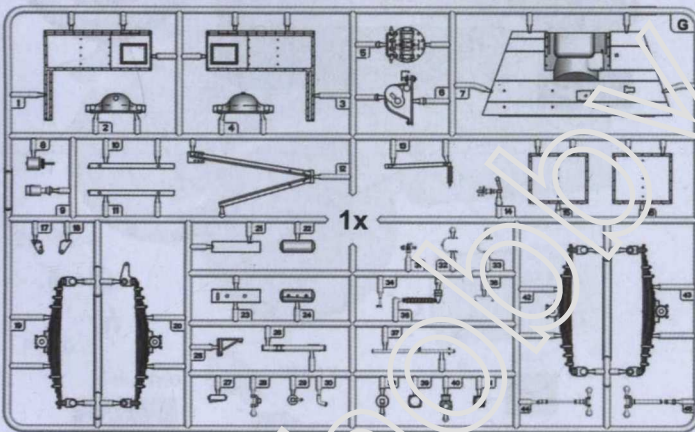
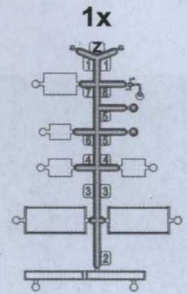
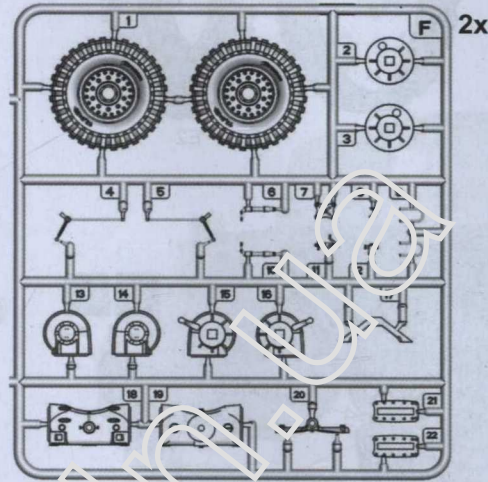
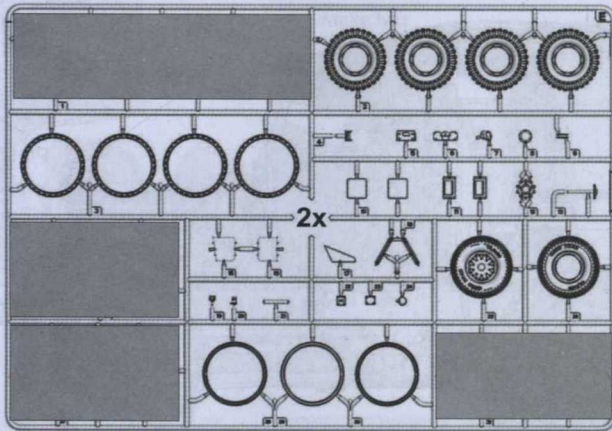
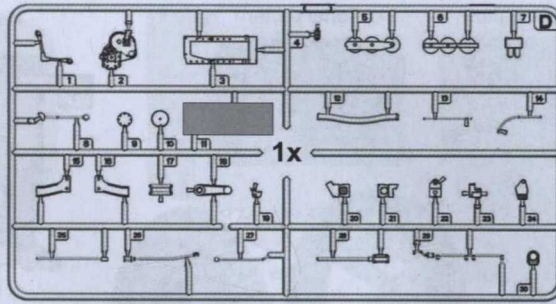
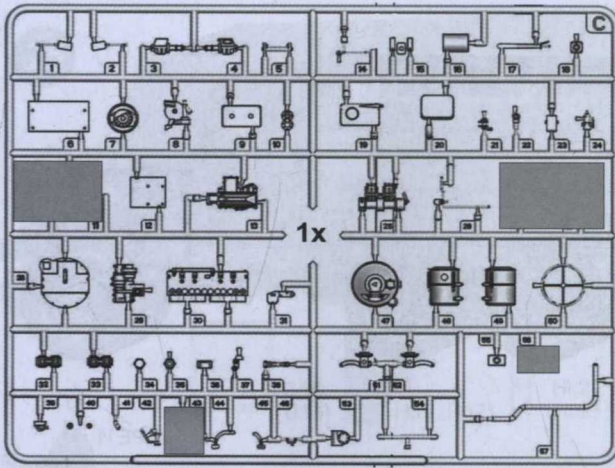
26

India pattern

optional pattern

Make four





Color info and profiles by



SCAMMELL PIONEER R100

Ref: TM-35202

Painting and Marking Guide

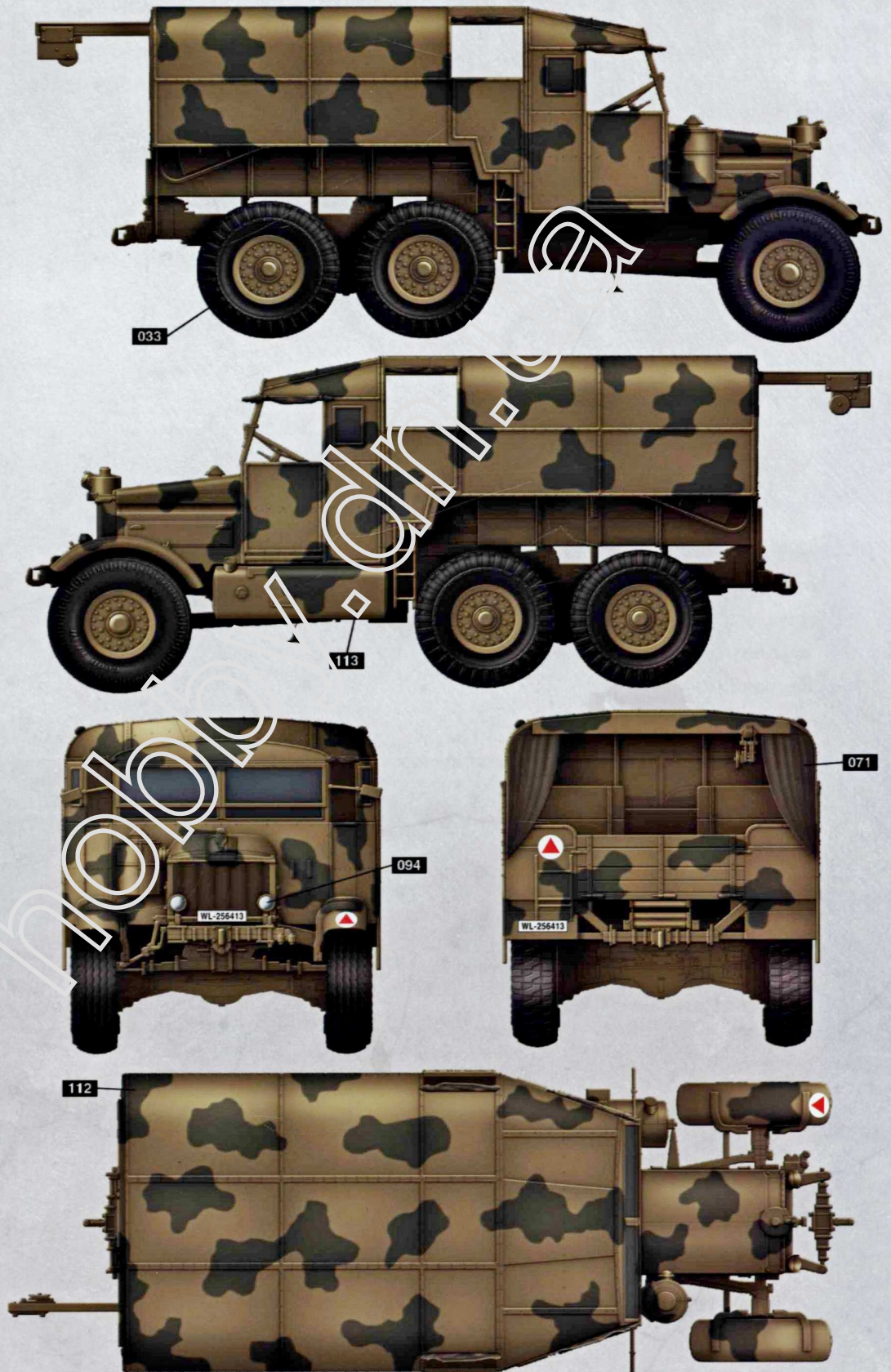
A.MIG 033 Rubber & Tires

A.MIG 071 Khaki

A.MIG 094 Crystal Glass

A.MIG 112 SCC15

A.MIG 113 Khaki Green N°3





Color info and profiles by



SCAMMELL PIONEER R100

Ref: TM-35202

Painting and Marking Guide

A.MIG 033 Rubber & Tires

A.MIG 071 Khaki

A.MIG 094 Crystal Glass

A.MIG 909 Grey Light Base

R-100 Captured, in German service, Summer 1943

