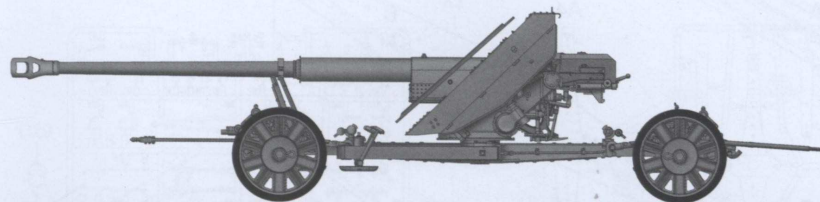


1:35 SCALE

ITEM NO.:02308



# German 8.8cm Panzerjägerkanone PAK43

## 德国88毫米PAK43反坦克炮

### READ BEFORE ASSEMBLY:

- Study and understand these instructions thoroughly before beginning assembly
- When needed, remove photo-etch parts carefully using a modeling knife or photo etch sprue cutter, being careful not to damage or lose small parts.
- Take extra care in handling photo etch parts in order to avoid injury
- Apply instant cement sparingly to photo etch parts where instructed
- Tools recommended(not included in kit):Plastic and instant cements, sprue cutters,long nose pliers,modeling knife, small files, tweezers, pin vise & scissors. Soft cloth and sandpaper will also assist in construction
- Glue and paint are not included in the kit. Use plastic cement and hobby paints only. Color guide for purchasing paint is included in the kit.

### 装配之前仔细阅读

- 小心用模型锉刀锉平所有零件表面的注射浇口。
- 小心用刀片切下蚀刻片零件，不要遗失小零件。
- 用强力快干胶水粘合蚀刻片零件和金属轴。过量快干胶水使用可能导致可动零件会粘住，小心涂胶。
- 取蚀刻片时应特别注意安全，防止利边划伤手指。
- 某些零件表面需贴上水贴纸，请选择在装配的同时进行。
- 推荐模型工具(自备)：胶水，水口剪刀，长咀钳，刀片，锉刀，镊子，钳，钻，剪刀，瞬间快干胶。
- 软布同砂纸同时也应该是必备工具。
- 请使用塑料胶水和油漆，模型内不含。



配重  
Weight



使用强力胶  
Cyanoacrylate glue



钻孔  
Make hole



切除  
Cut / Remove



贴纸  
Decal



锉平  
File / Sand



选择  
Option



不涂胶水  
No cement



弯曲  
Bend

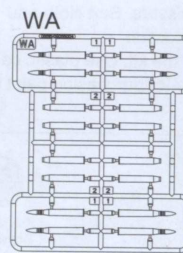
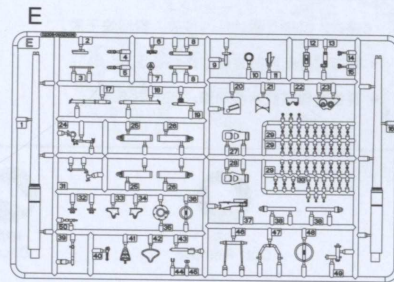
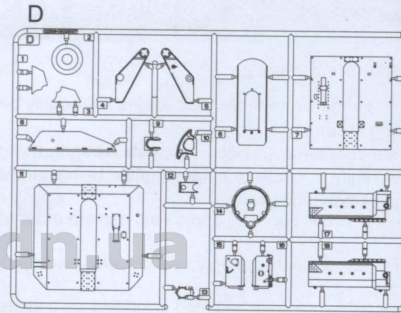
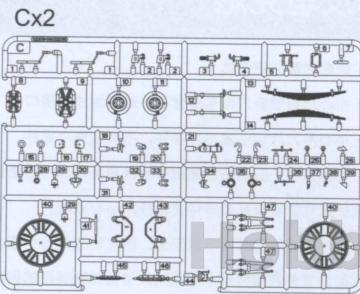
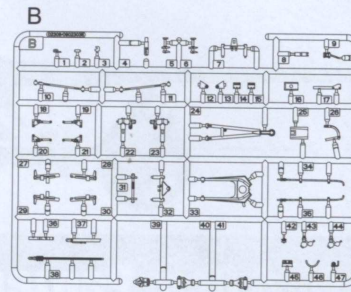
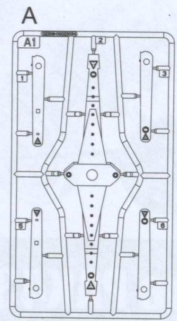
### 水贴纸的使用:

- 1.从水贴纸上剪下印花;
- 2.将印花放入温水中浸10秒，然后放在干净布上。
- 3.拿着印花纸将印花移到模型上;
- 4.手指蘸水将印花移到适当的位置;
- 5.用软布轻压印花直至水干，汽泡消失

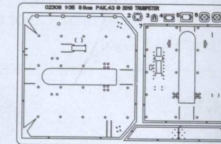
### DECAL APPLICATION

- 1.Cut decals from sheet as needed
- 2.Dip the decal in warm water for about 10 seconds and then place on soft clean cloth.
- 3.Hold the decal backing sheet edge and gently slide the decal onto the model in its proper position.
- 4.While still wet,decal can be adjusted for better fit on model by dampening it gently with your finger.
- 5.When placed in the proper position,gently press decal down with a soft cloth until excess water and air bubbles are gone.
- 6.Allow decal to dry completely before handling model

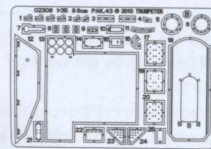
部品图  
Parts



《蚀刻片》-A  
Photo etched



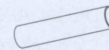
《蚀刻片》-B  
Photo etched



《蚀刻片》-C  
Photo etched



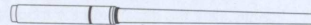
《钢管》  
Steel tube



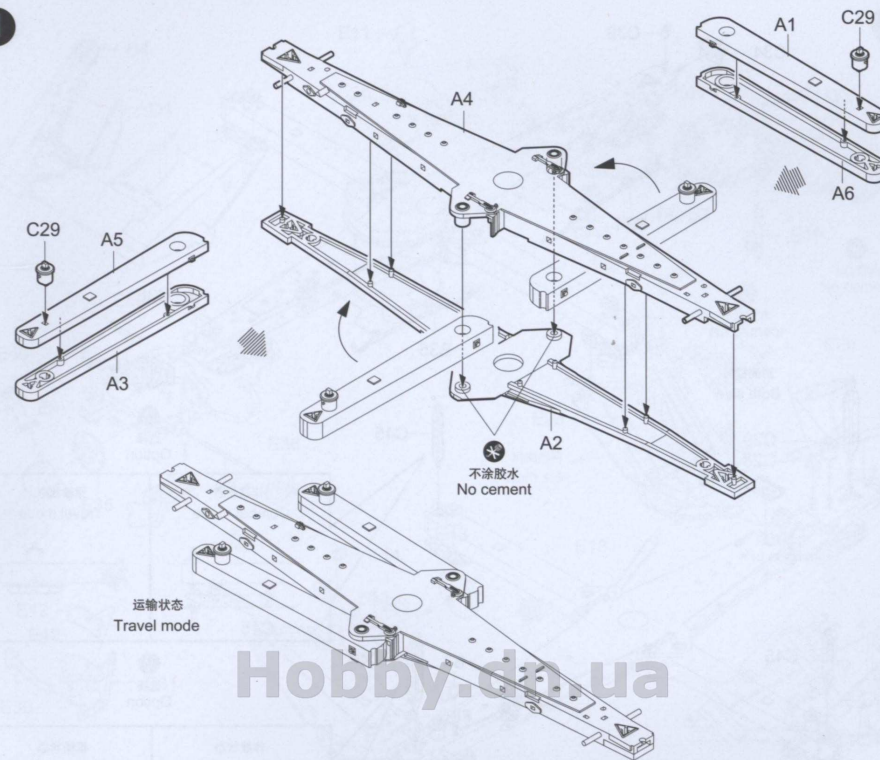
轮胎 x8  
Tyre x8



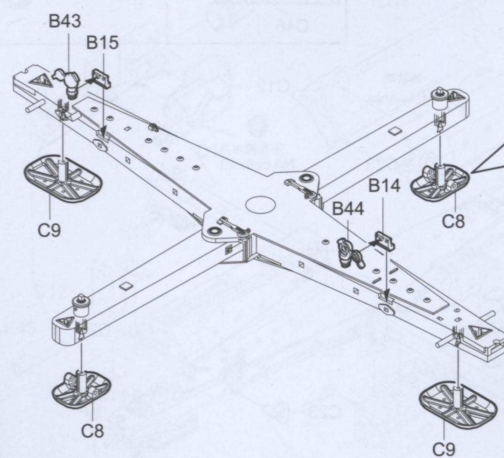
《金属炮管》  
Metal barrel



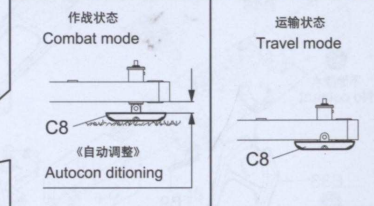
1



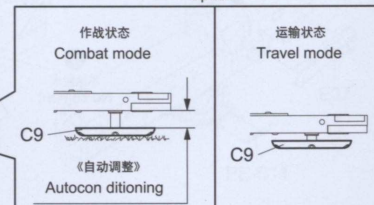
2



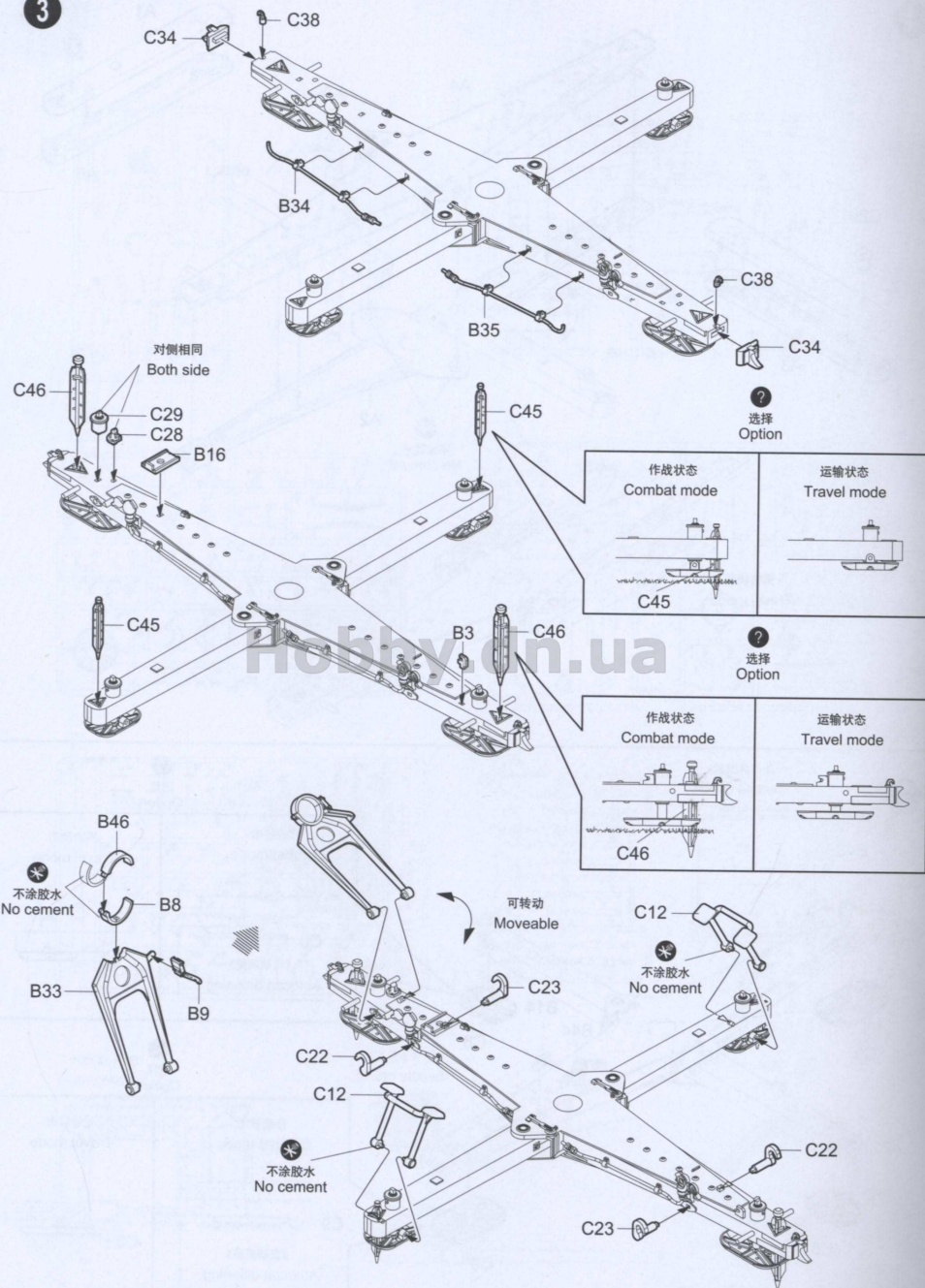
选择  
Option

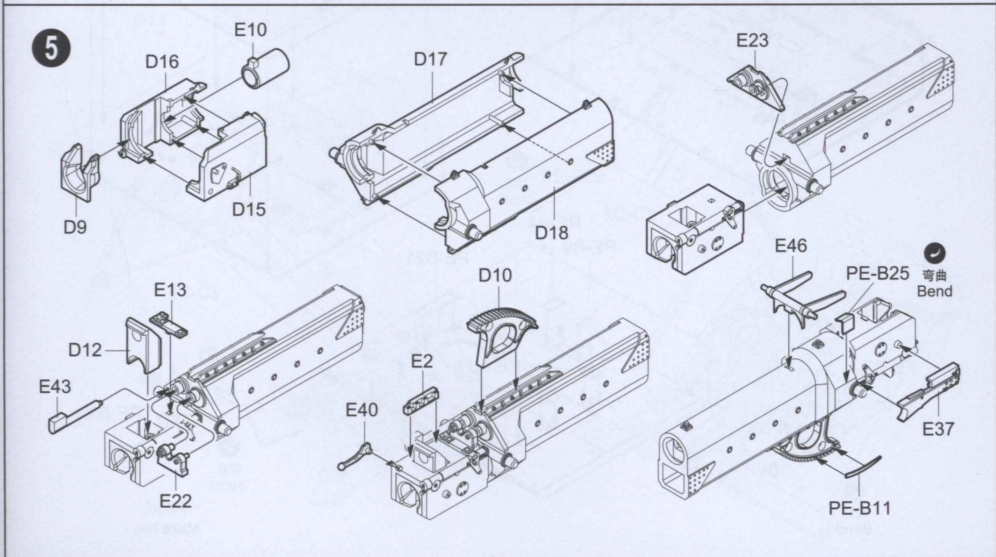
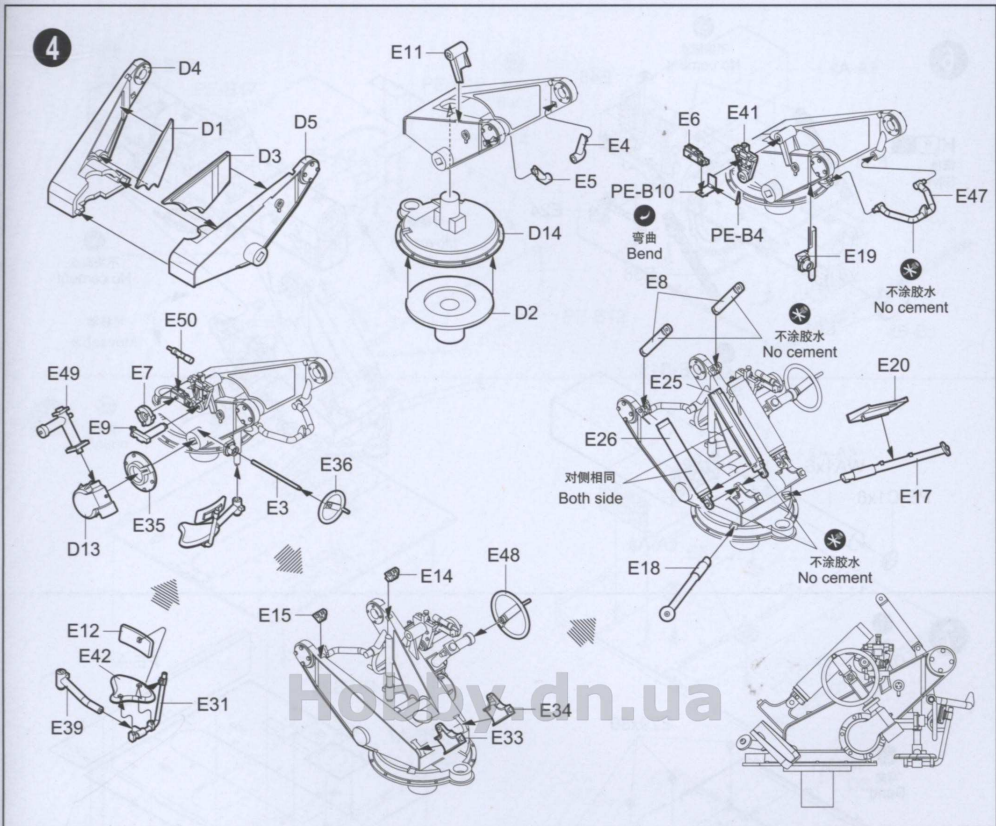


选择  
Option

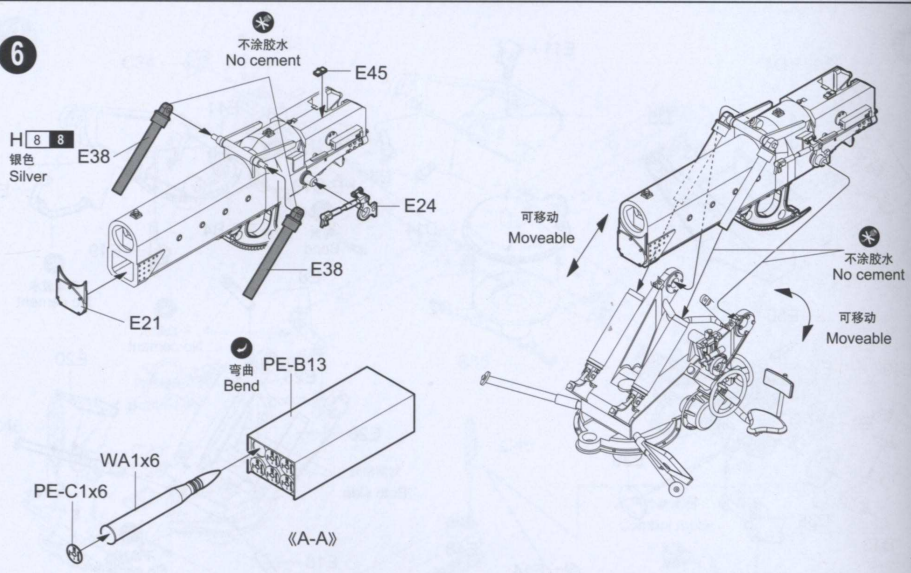


3

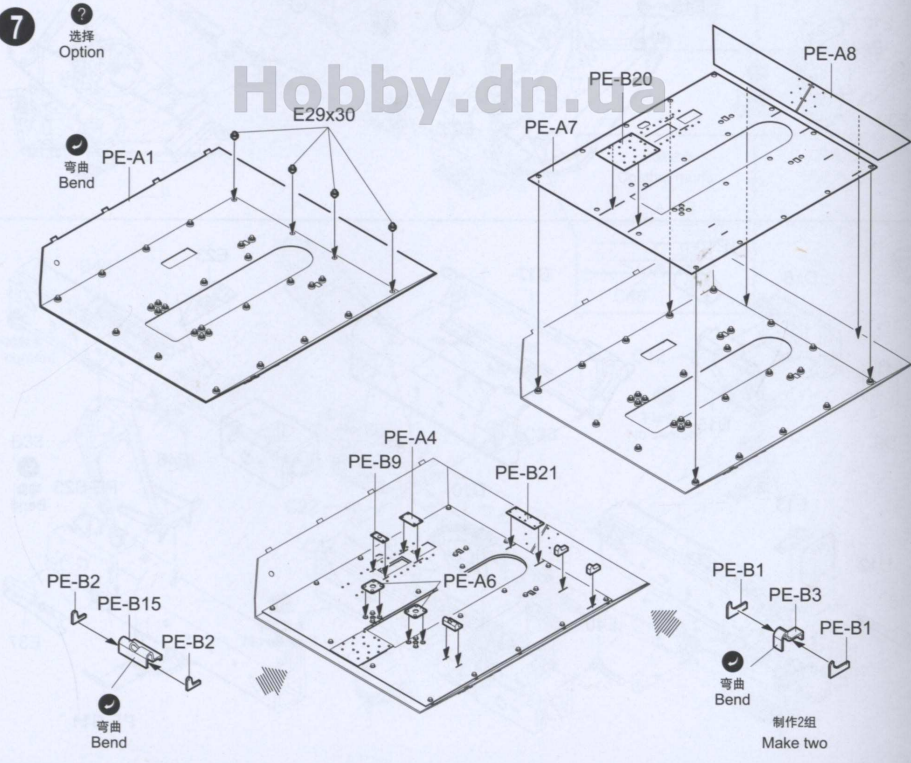




6

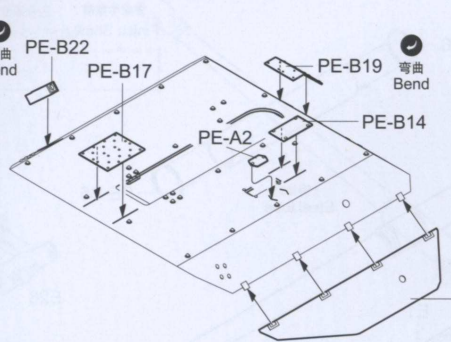


7

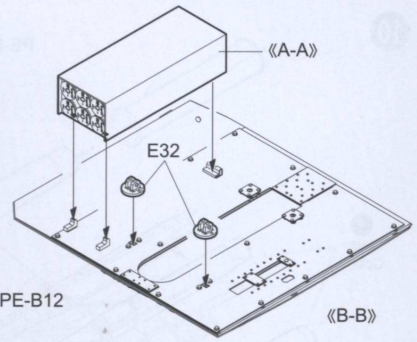


8

弯曲  
Bend

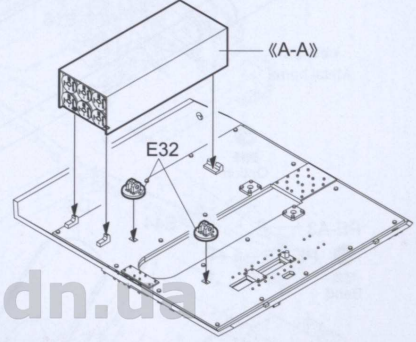
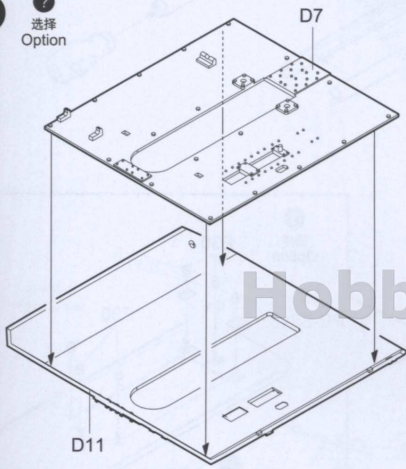


弯曲  
Bend

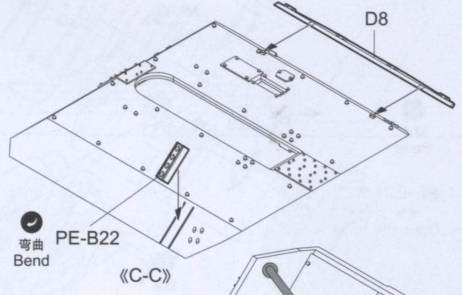


9

选择  
Option



Hobby.dn.ua

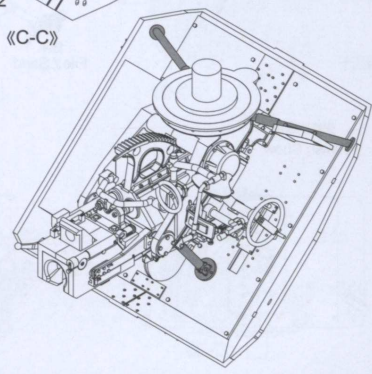
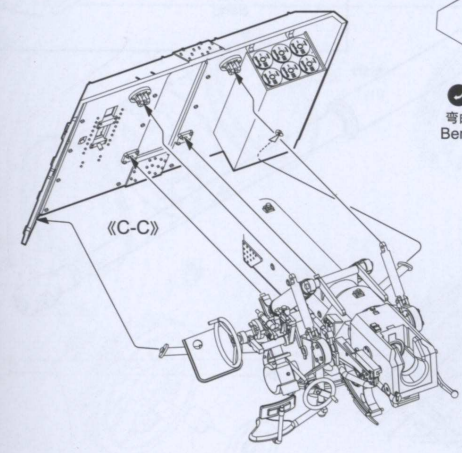


弯曲  
Bend

PE-B22

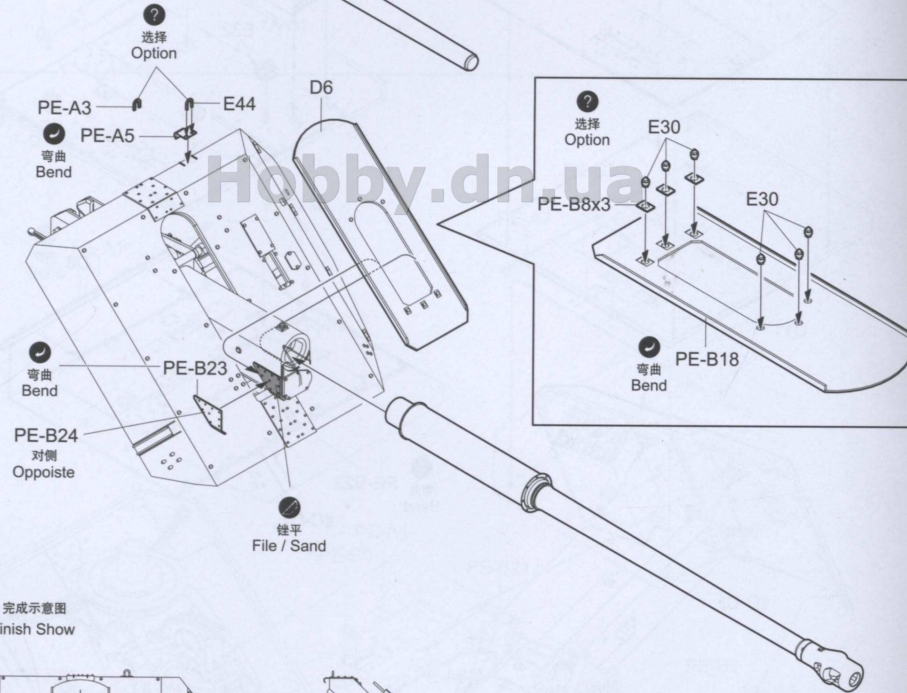
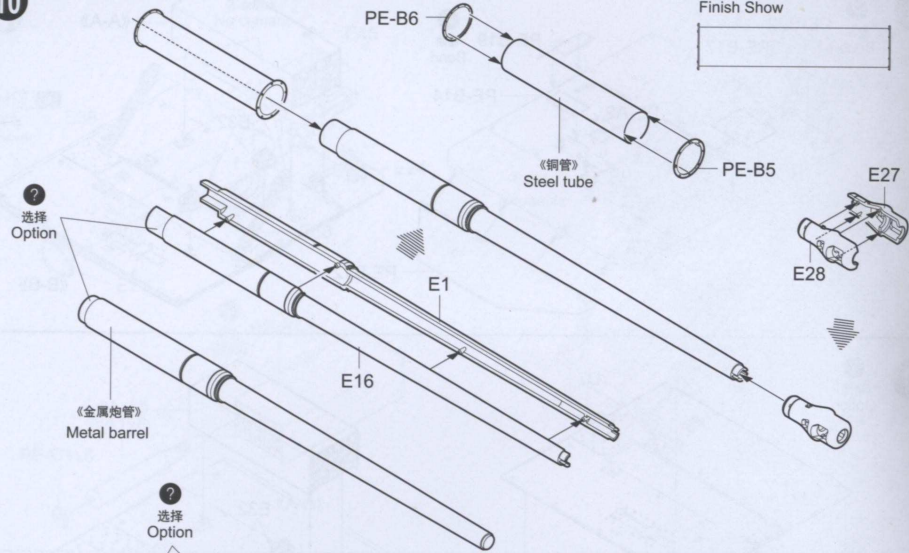
弯曲  
Bend

《C-C》

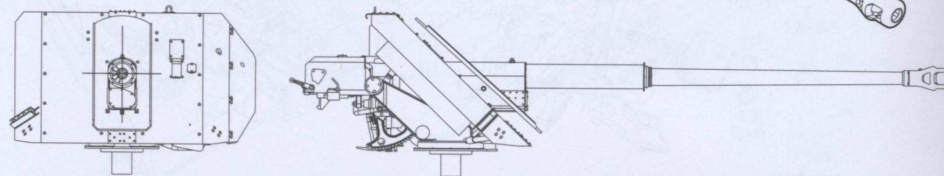


10

完成示意图  
Finish Show



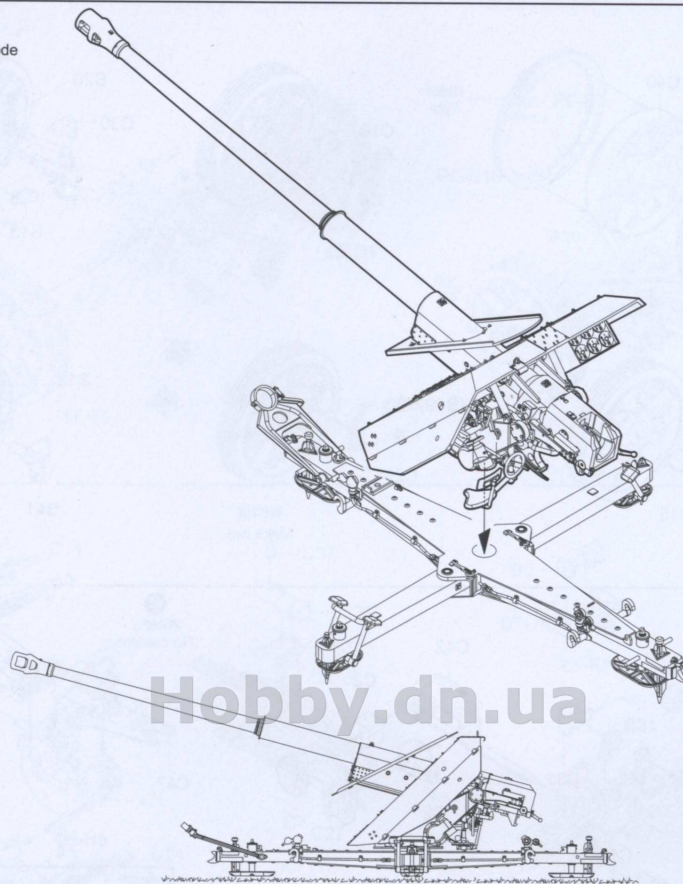
完成示意图  
Finish Show



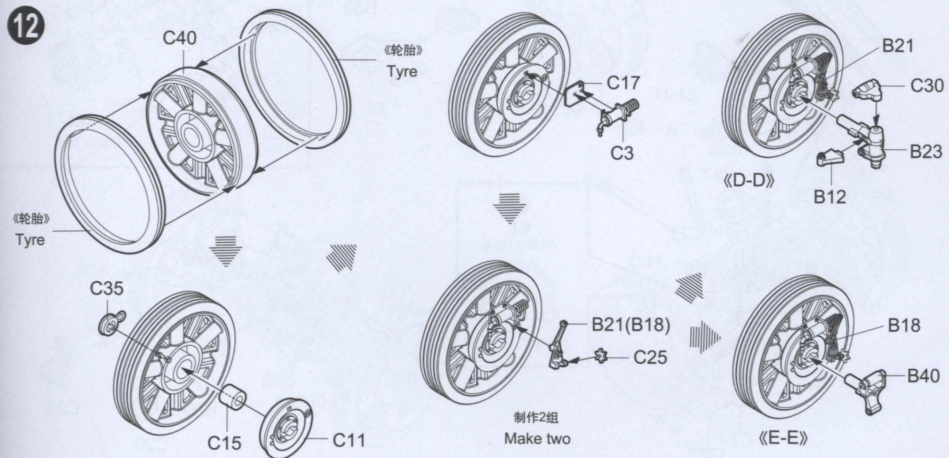


**11** 作战状态  
Combat mode

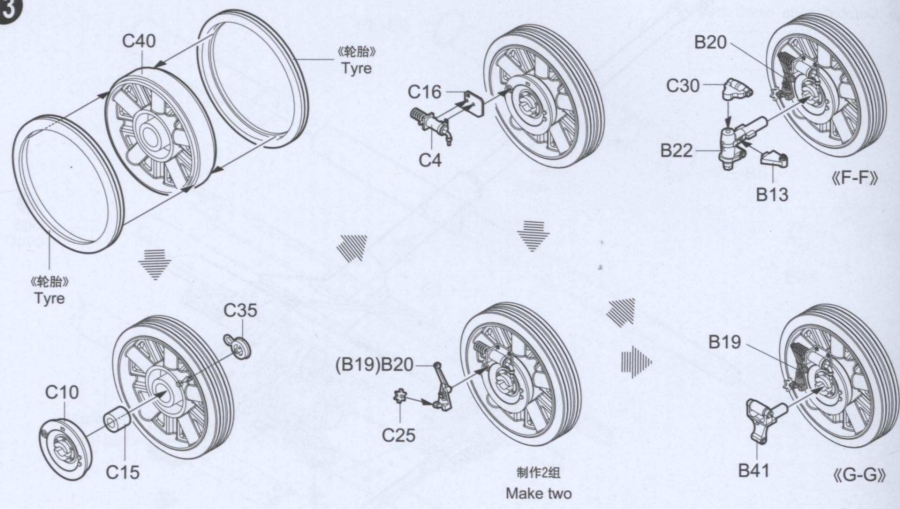
完成示意图  
Finish Show



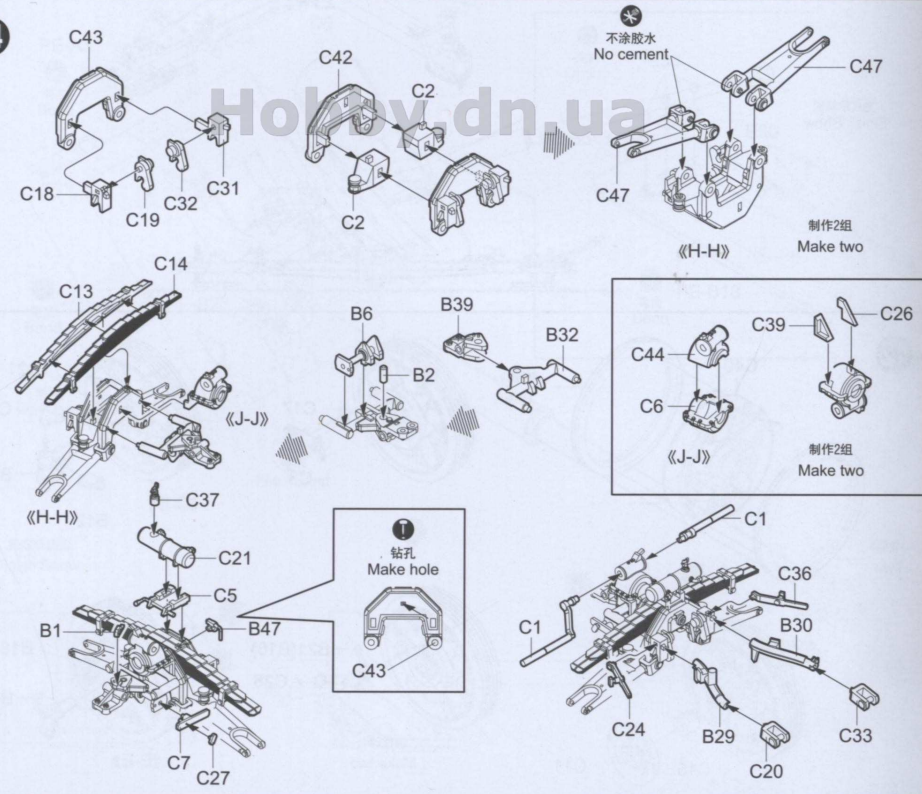
**12**



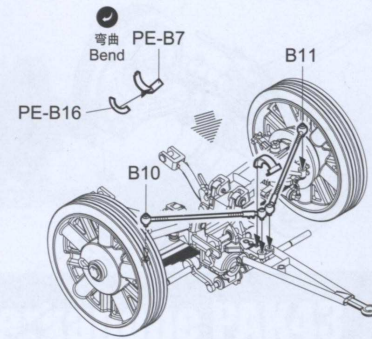
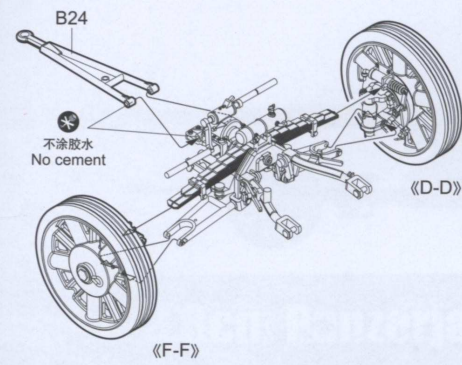
13



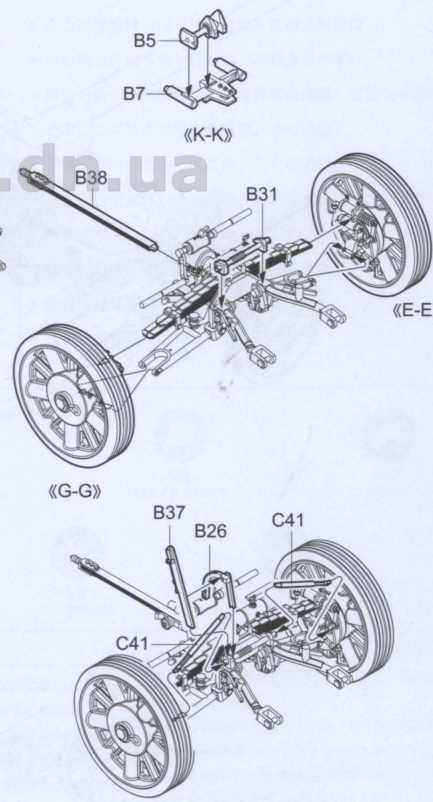
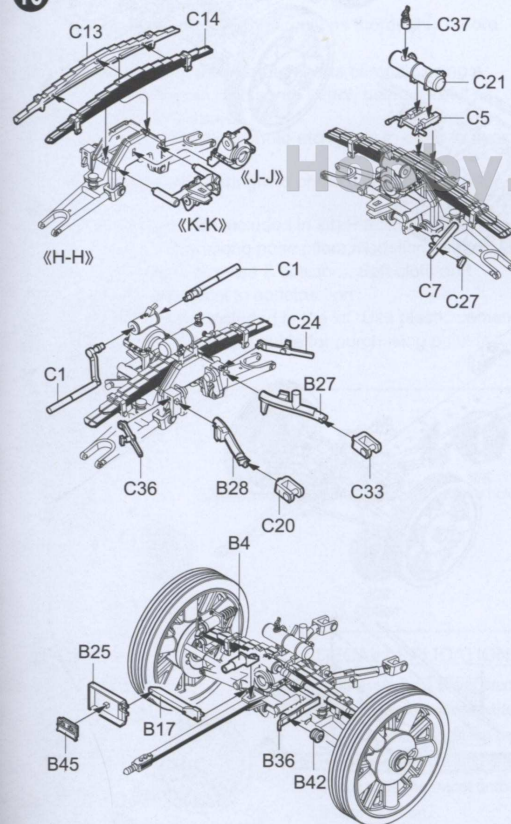
14



15

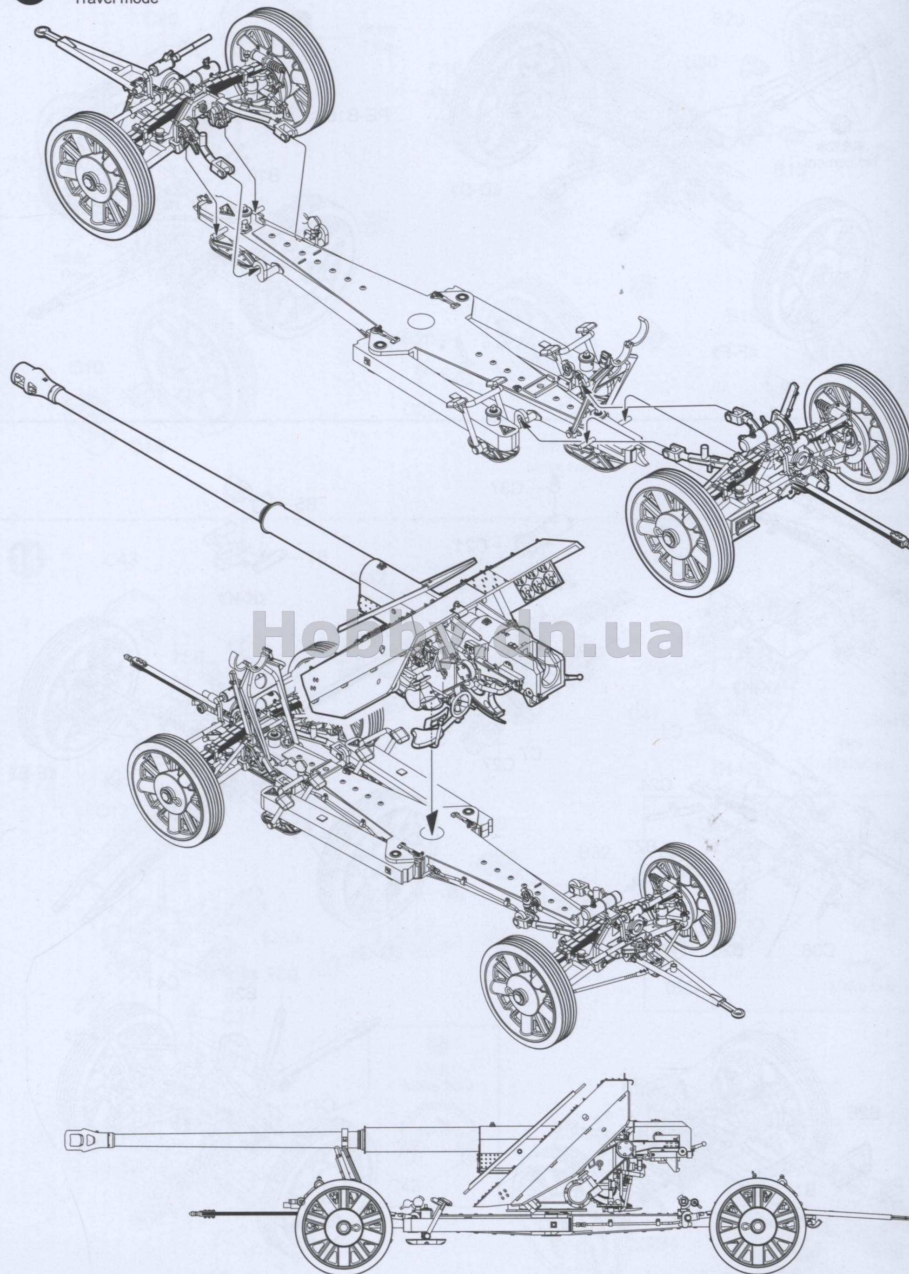


16



17

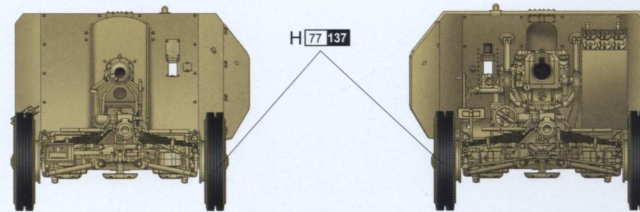
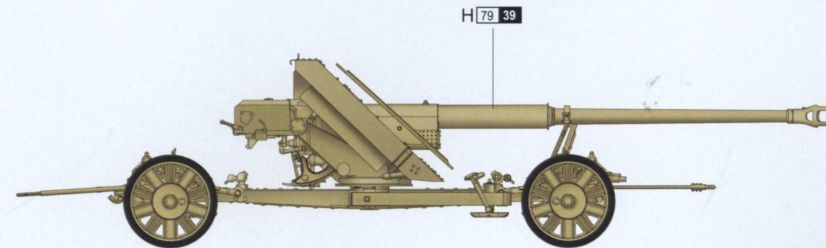
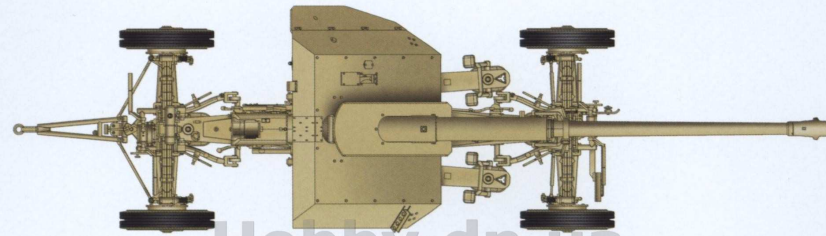
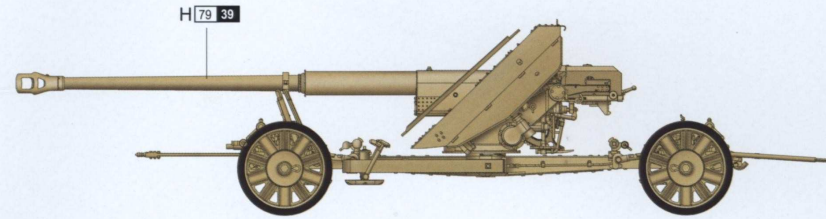
运输状态  
Travel mode



涂装同标贴指示  
Painting & Marking guide

PAINT REFERENCE COLOUR					
Color	Mr.Hobby	Vallejo	Model Master	Tamiya	Humbrol
Sandy Brown 沙棕色	H 79 39	824	—	XF59	93
Tire Black 胎黑色	H 77 137	—	—	—	—

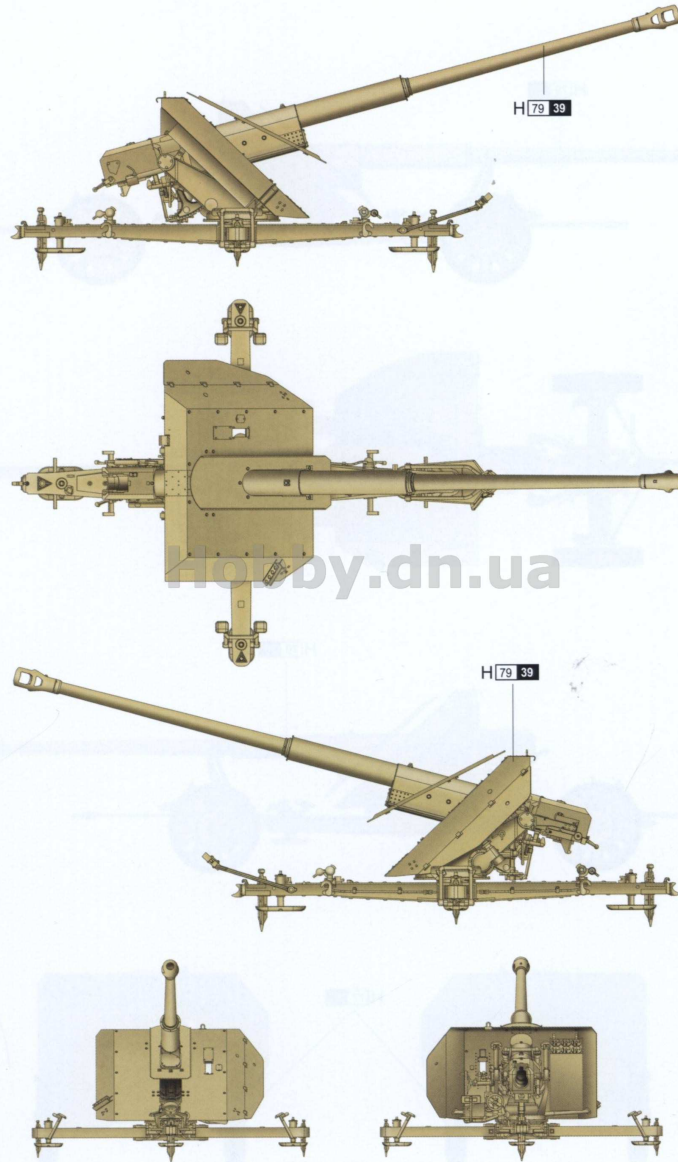
A



H AQUEOUS HOBBY COLOR ■ Mr. COLOR

涂装同标贴指示  
Painting & Marking guide

B



H AQUEOUS HOBBY COLOR ■ Mr. COLOR