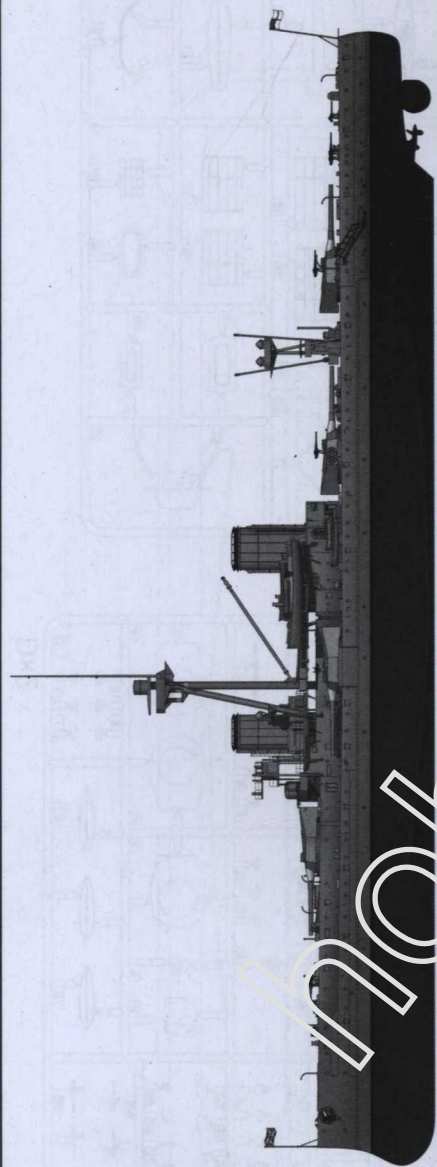


1/350 SCALE

ITEM NO.:05330



HMS Dreadnought 1918

英国皇家海军“无畏”号战列舰1918年

READ BEFORE ASSEMBLY:

- This kit is not recommended for inexperienced modelers or for children under 14 years of age
- Study and understand these instructions thoroughly before beginning assembly
- When needed, remove photo-etch parts carefully using a modeling knife or photo etch sprue cutter, being careful not to damage or lose small parts.
- Take extra care in handling photo etch parts in order to avoid injury
- Apply instant cement sparingly to photo etch parts where instructed

- Tools recommended (not included in kit): Plastic and instant cements, sprue cutter, long nose pliers modeling knife, small files, tweezers, pin vice & screwdriver. Soft cloth and sandpaper will also assist in construction
- Glue and paint are not included in kit. Use plastic cement and hobby paints only. Color guide for purchasing paint is included in the kit.
- Keep out of reach of children. They must not be allowed to ingest small parts or handle plastic bubbles in any way.

装配之前仔细阅读

- 小心用模型锉刀锉平所有零件表面的注射浇口。
- 小心用刀片切下蚀刻片零件，不要遗失小零件。
- 用强力快干胶水粘合蚀刻片零件和金属轴。过量的快干胶水使用可能导致可动零件会粘住，小心涂胶。
- 取蚀刻片时应特别注意安全，防止利刃划伤手指。
- 某些零件表面需贴水上贴纸，请选择在装配的同时进行。
- 推荐模型工具（自备）：胶水，水口剪刀，长咀钳，刀片，锉刀，镊子，钻，剪刀，瞬间快干胶。
- 软布同砂纸同时使用也是必备工具。
- 请使用塑料胶水和油漆，模型内不含。
- 警告：小孩吸吮塑料零件，或者将塑料袋套在头上，制作时：将套材远离小孩接触。
- 本产品不适合14岁以下没有经验的模型爱好者。

水贴纸的使用:

1. 从水贴纸上剪下印花;
2. 将印花放入温水中浸10秒, 然后放在干净布上;
3. 拿着印花纸版将印花移到模型上;
4. 手指蘸水将印花移到适当的位置;
5. 用软布轻压印花直至水平, 气泡消失。

DECAL APPLICATION:

1. Cut decals from sheet as needed
2. Dip the decal in warm water for about 10 seconds and then place on soft clean cloth.
3. Hold the decal backing sheet edge and gently slide the decal onto the model in its proper position.

4. While still wet, decal can be adjusted for better fit on model by dampening it gently with your finger.

5. When placed in the proper position, gently press decal down with a soft cloth until excess water and air bubbles are gone.
6. Allow decal to dry completely before handling model



使用锉刀胶

Cyanoacrylate glue



锉平

File / Sand



配重

Weight



选择

Option



钻孔

Make hole



不涂胶水

No cement



切除

Cut / Remove



弯曲

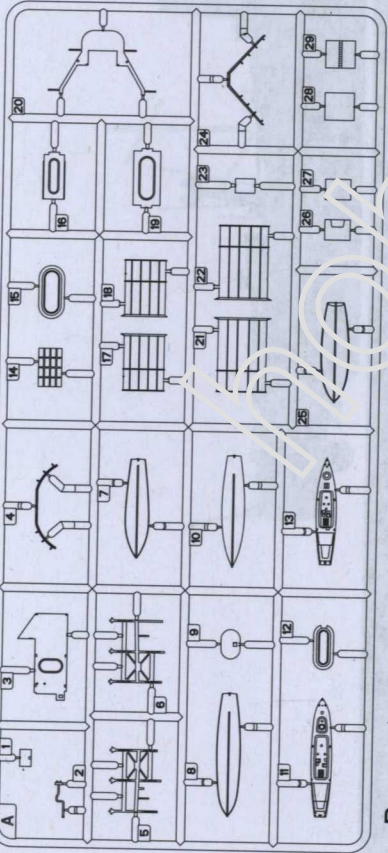
Bend



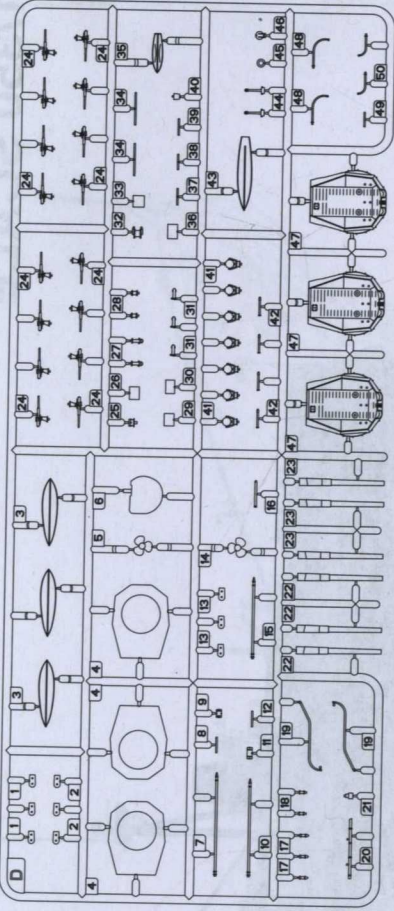
贴纸

Decal

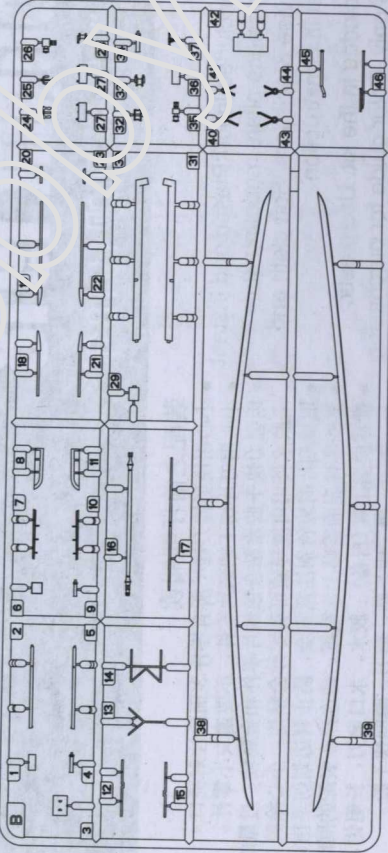
部品图
Parts A



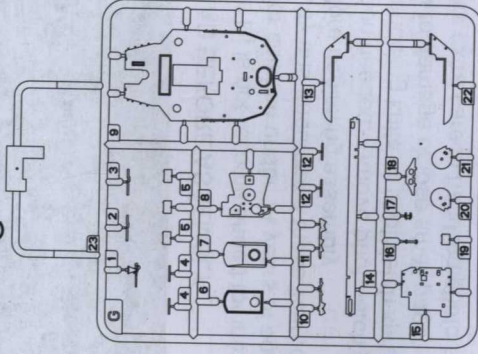
Dx2



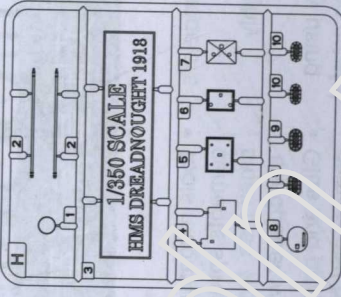
B



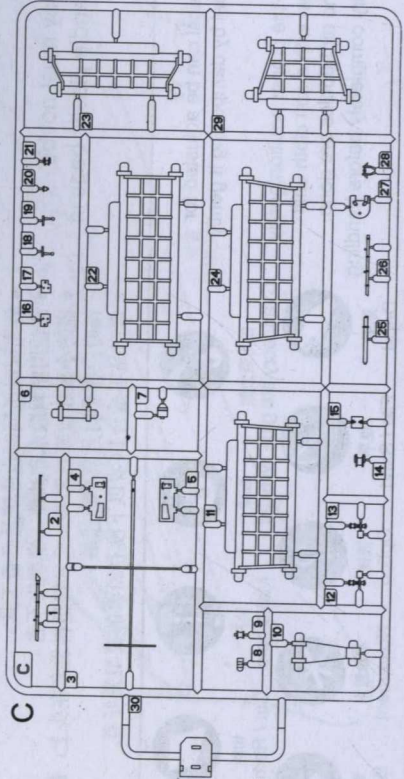
G



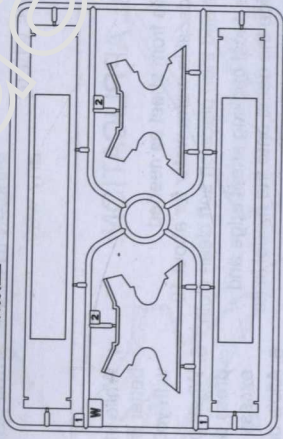
H



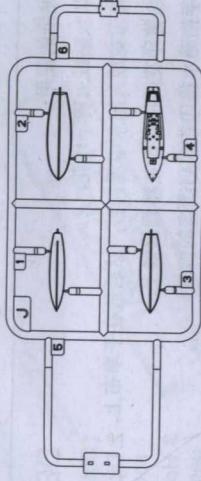
C



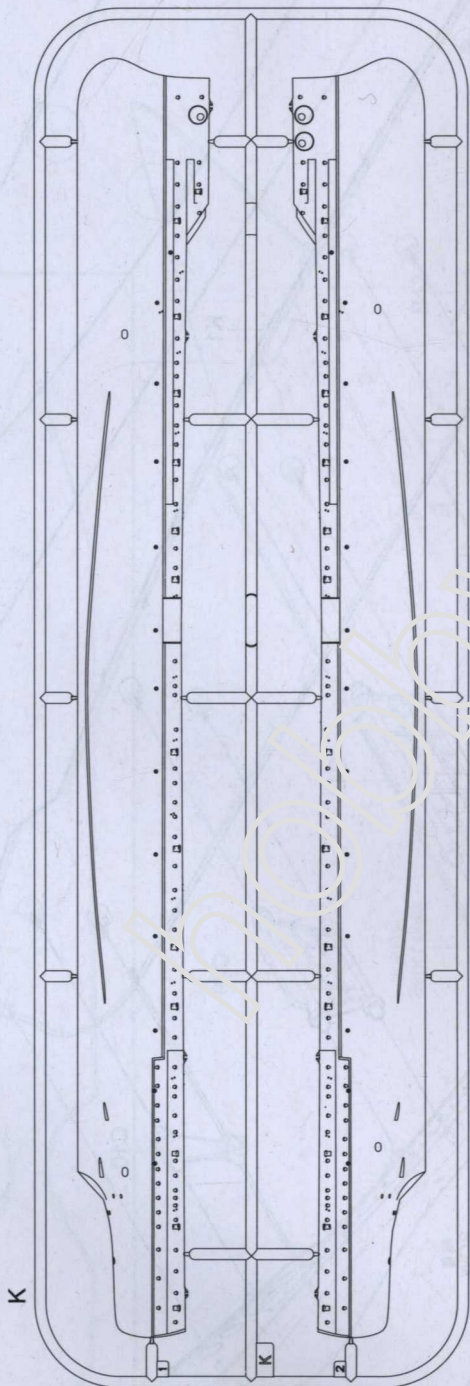
Stand 底座



J



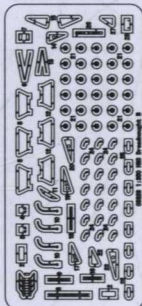
部品图
Parts



Chain 链条



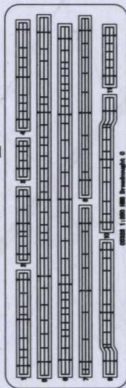
《蚀刻片》PE_B×2



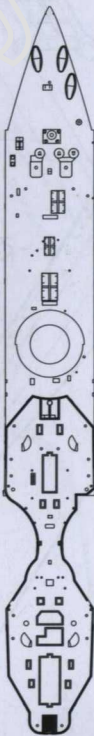
《蚀刻片》PE_A



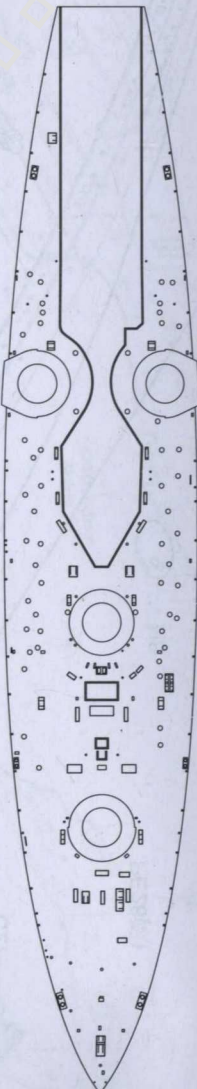
《蚀刻片》PE_C



Super Deck (L版)



Sub Deck (M版)



水贴
Decal

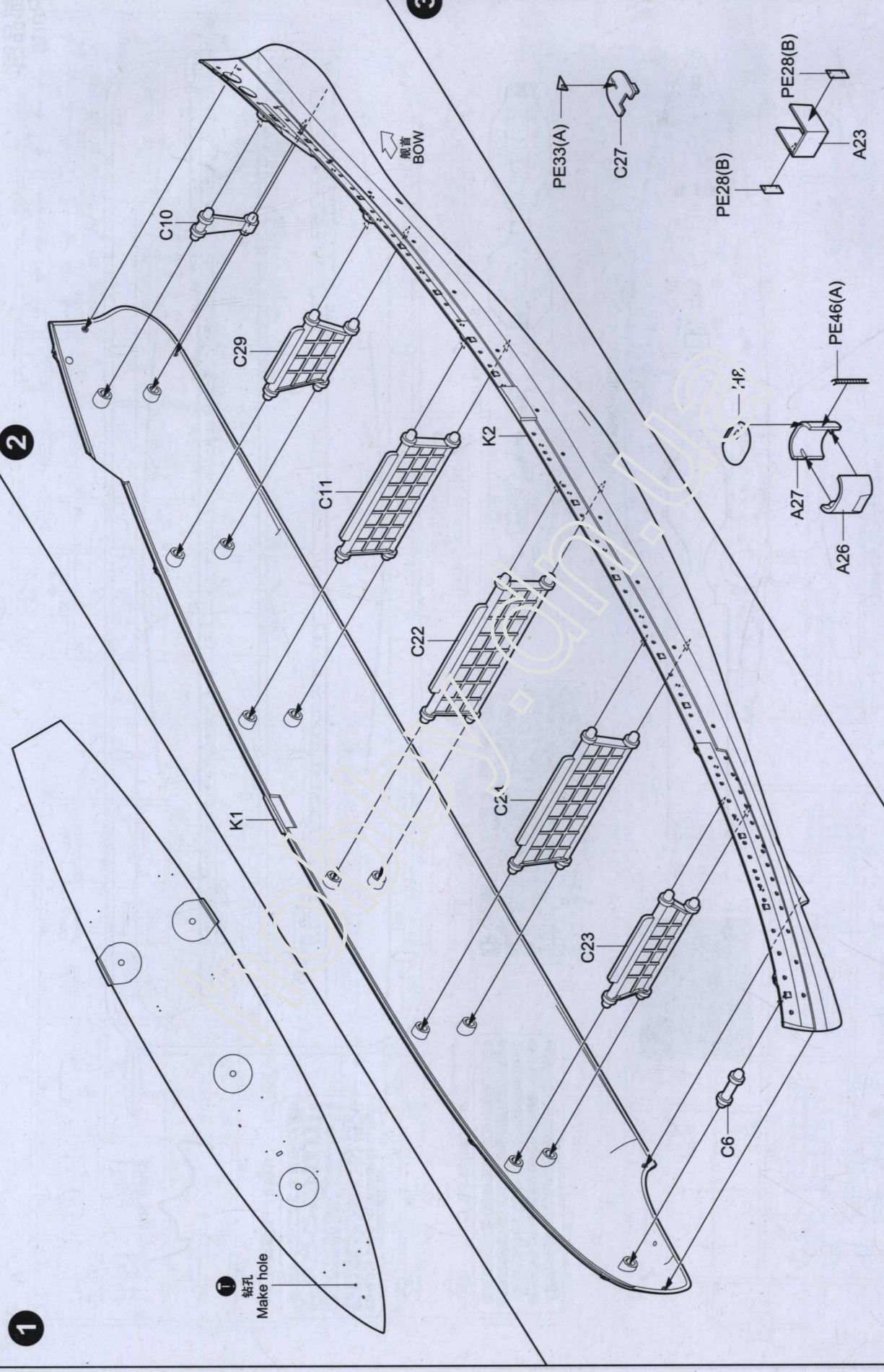


1

2

3

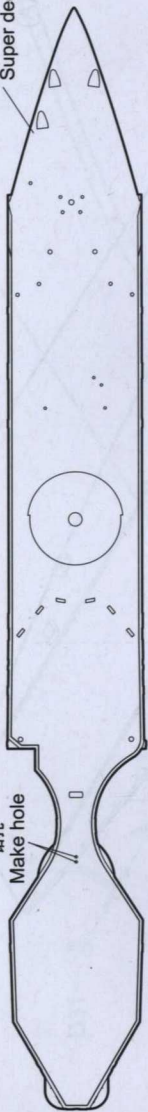
4



05330

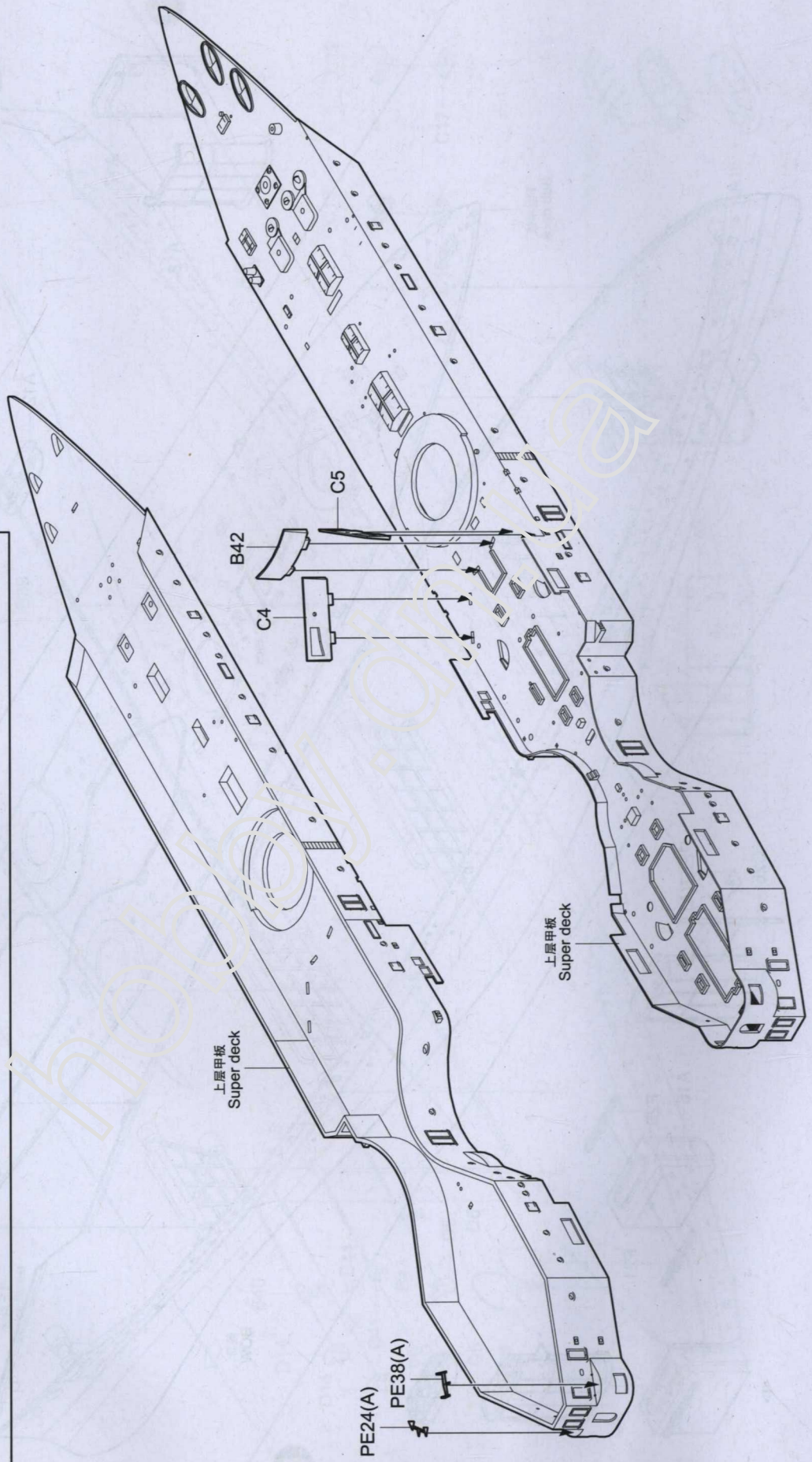
4

① 钻孔
Make hole

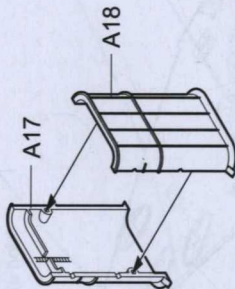
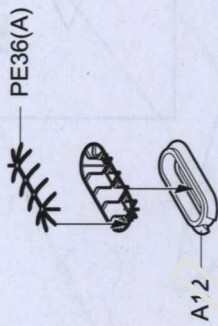
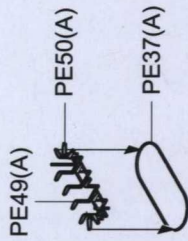


5

上层甲板
Super deck



6

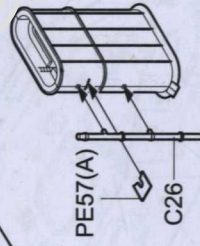
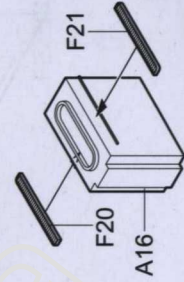
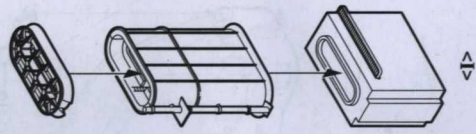


7

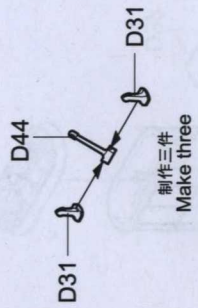
8

船首
BOW

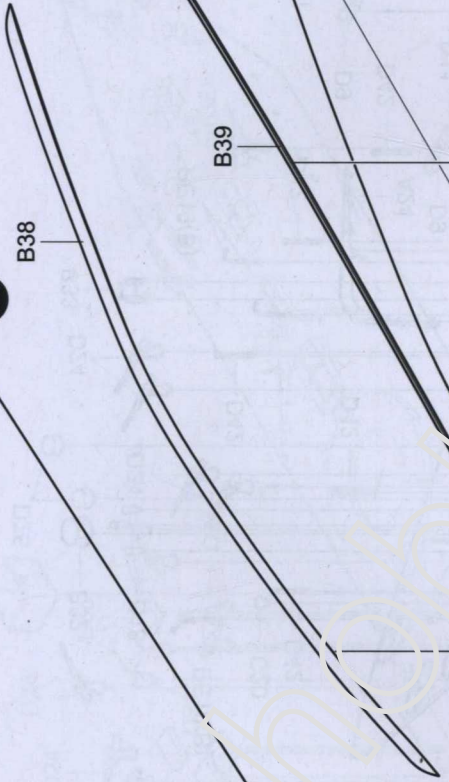
下层甲板
Sub deck



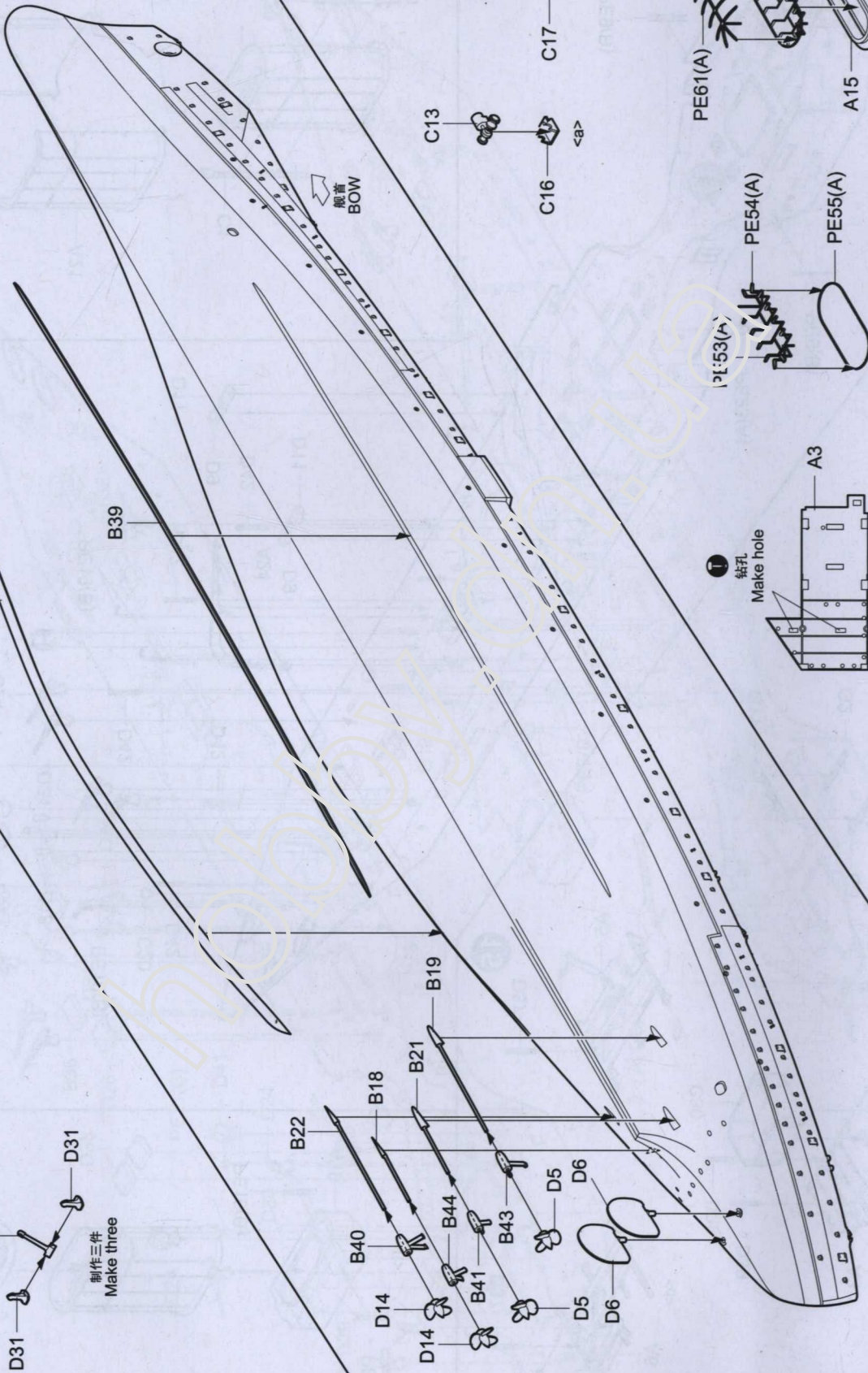
9



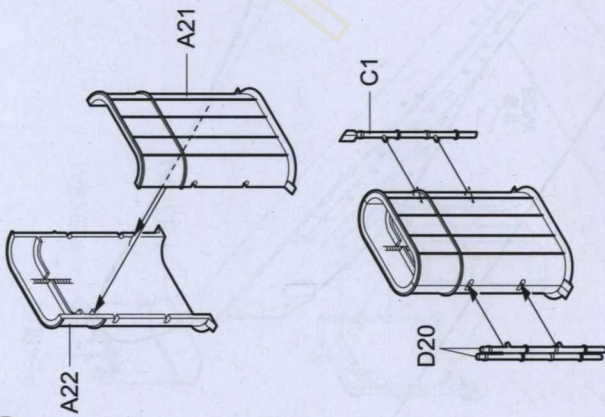
10



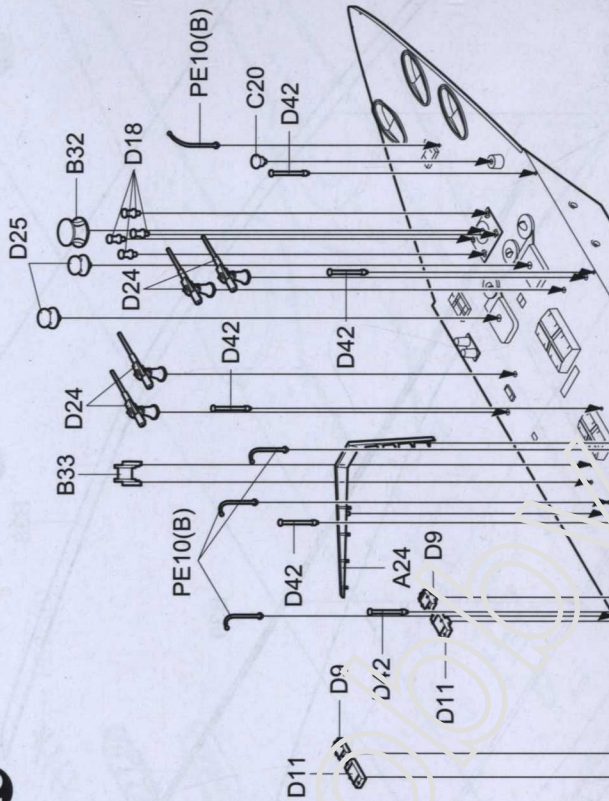
11



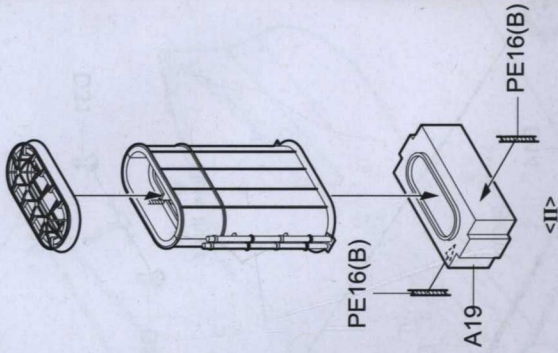
12



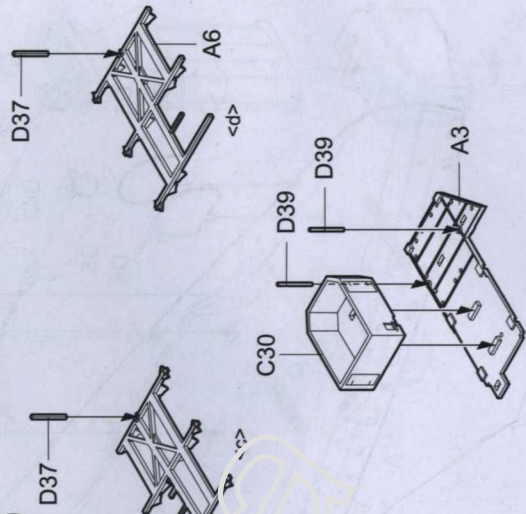
13



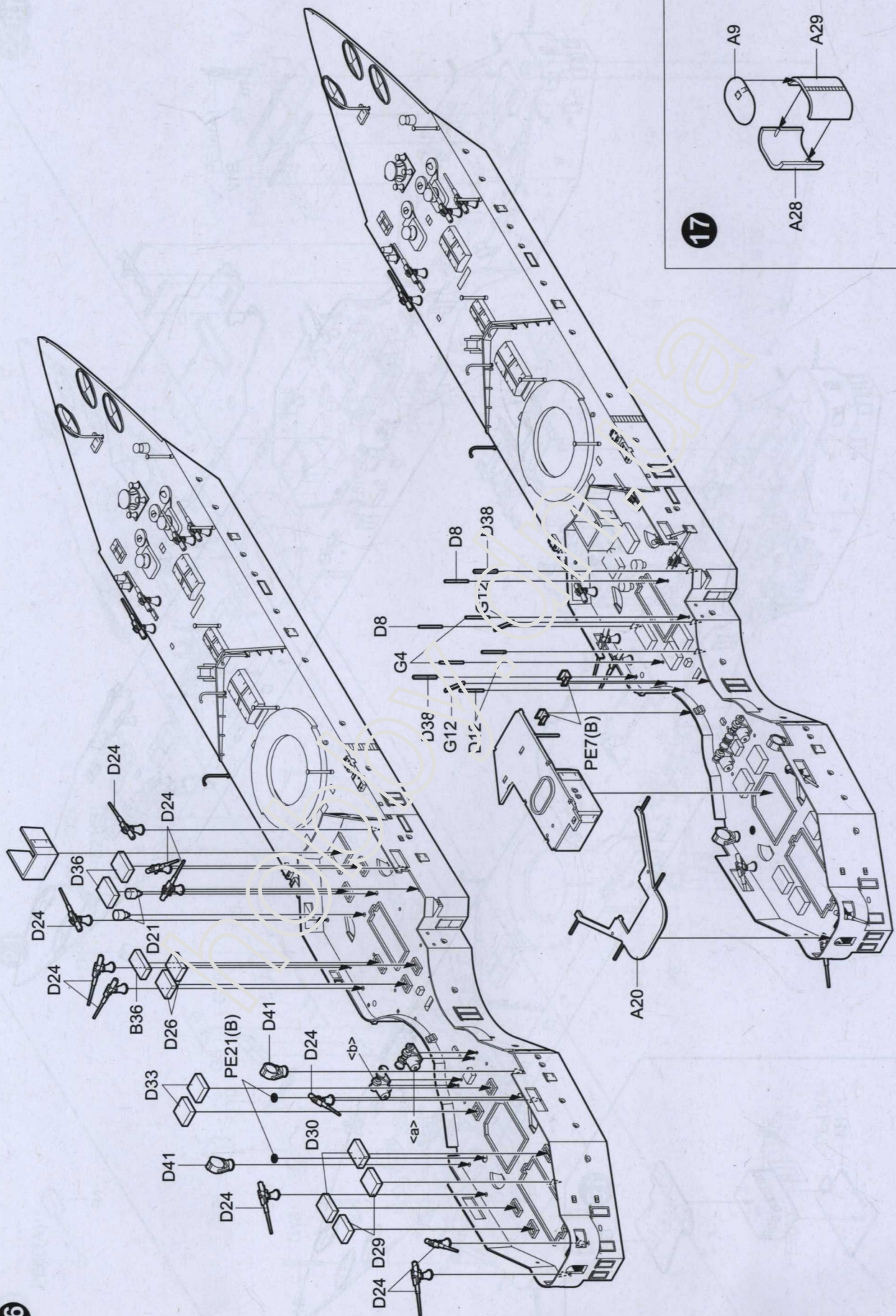
14



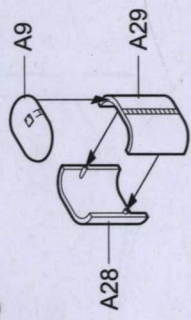
15



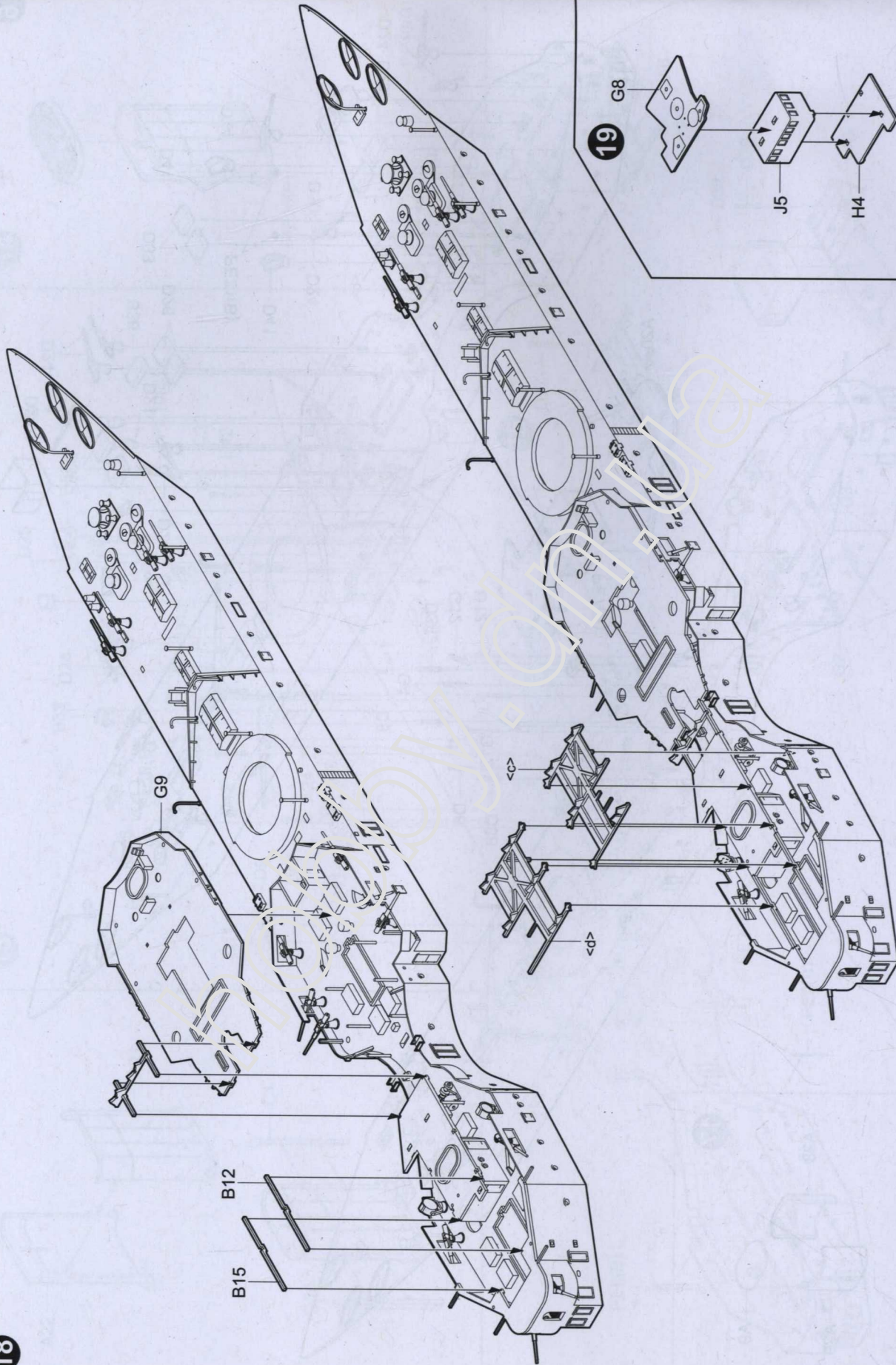
16



17



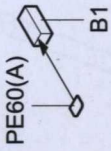
18



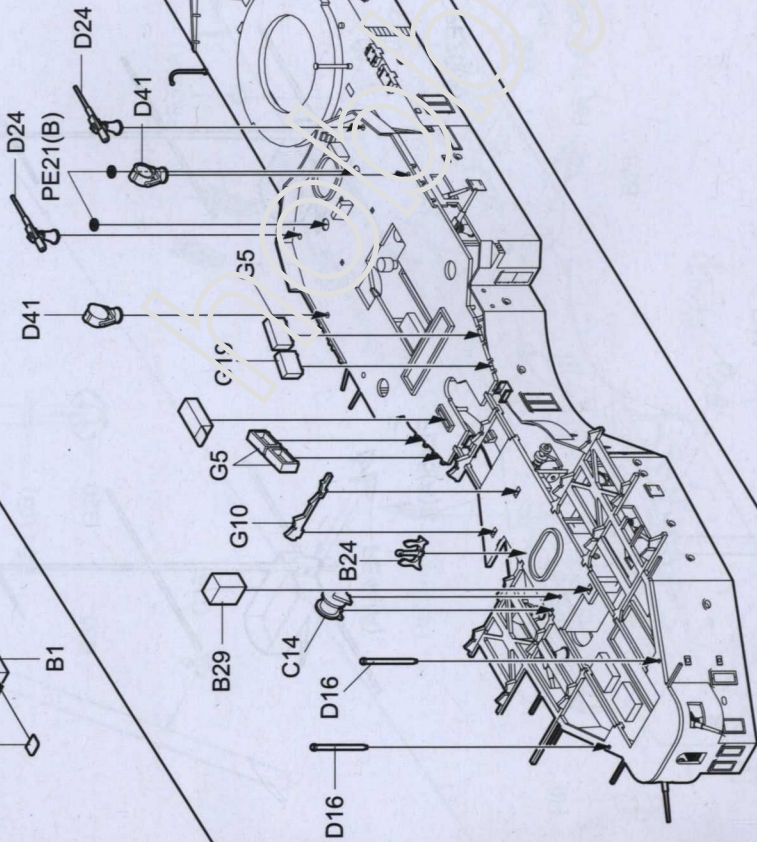
05330

10

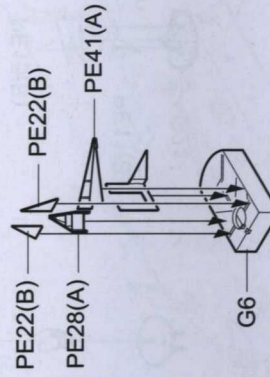
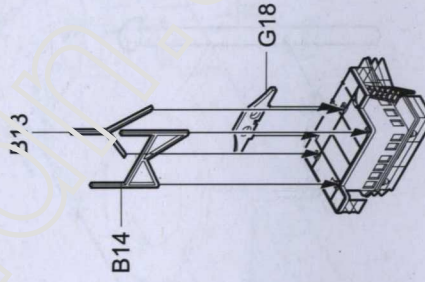
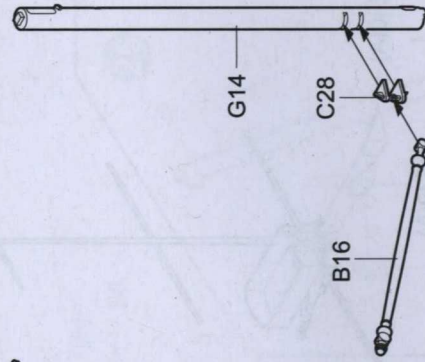
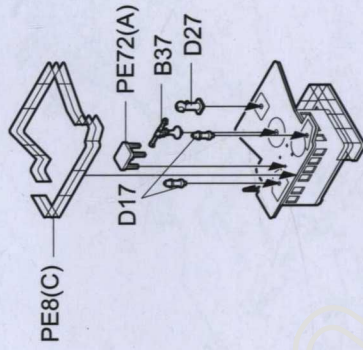
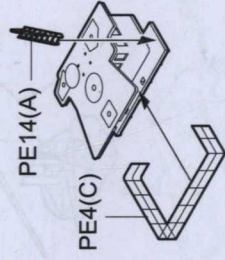
20

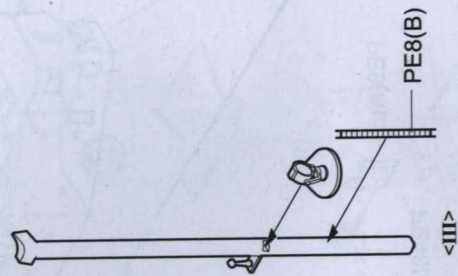
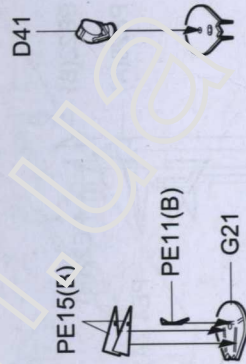
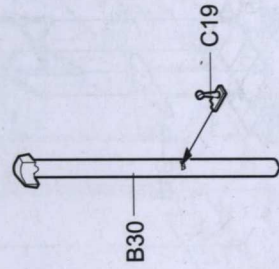
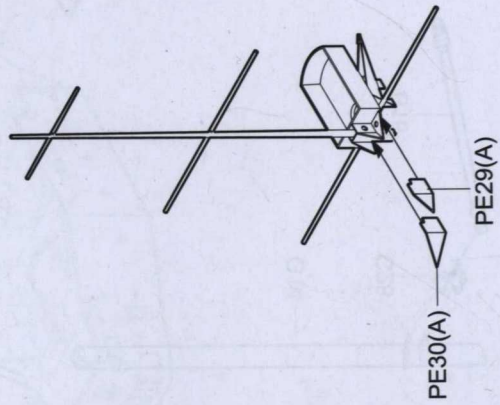
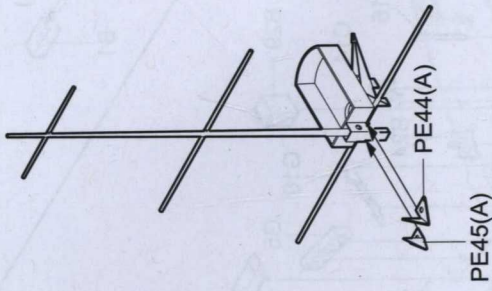
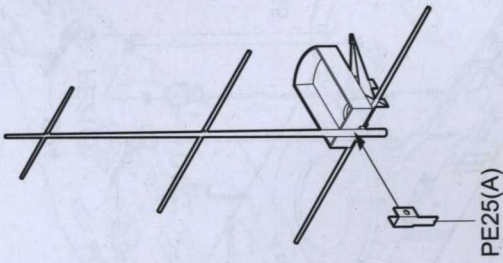
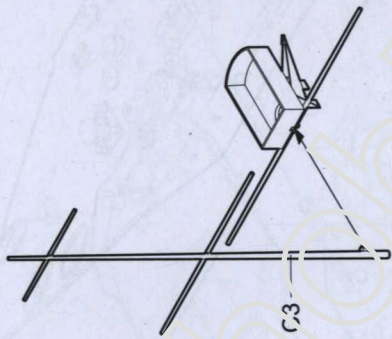
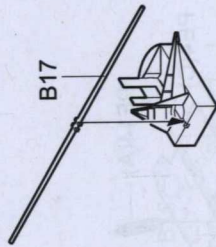


21



22

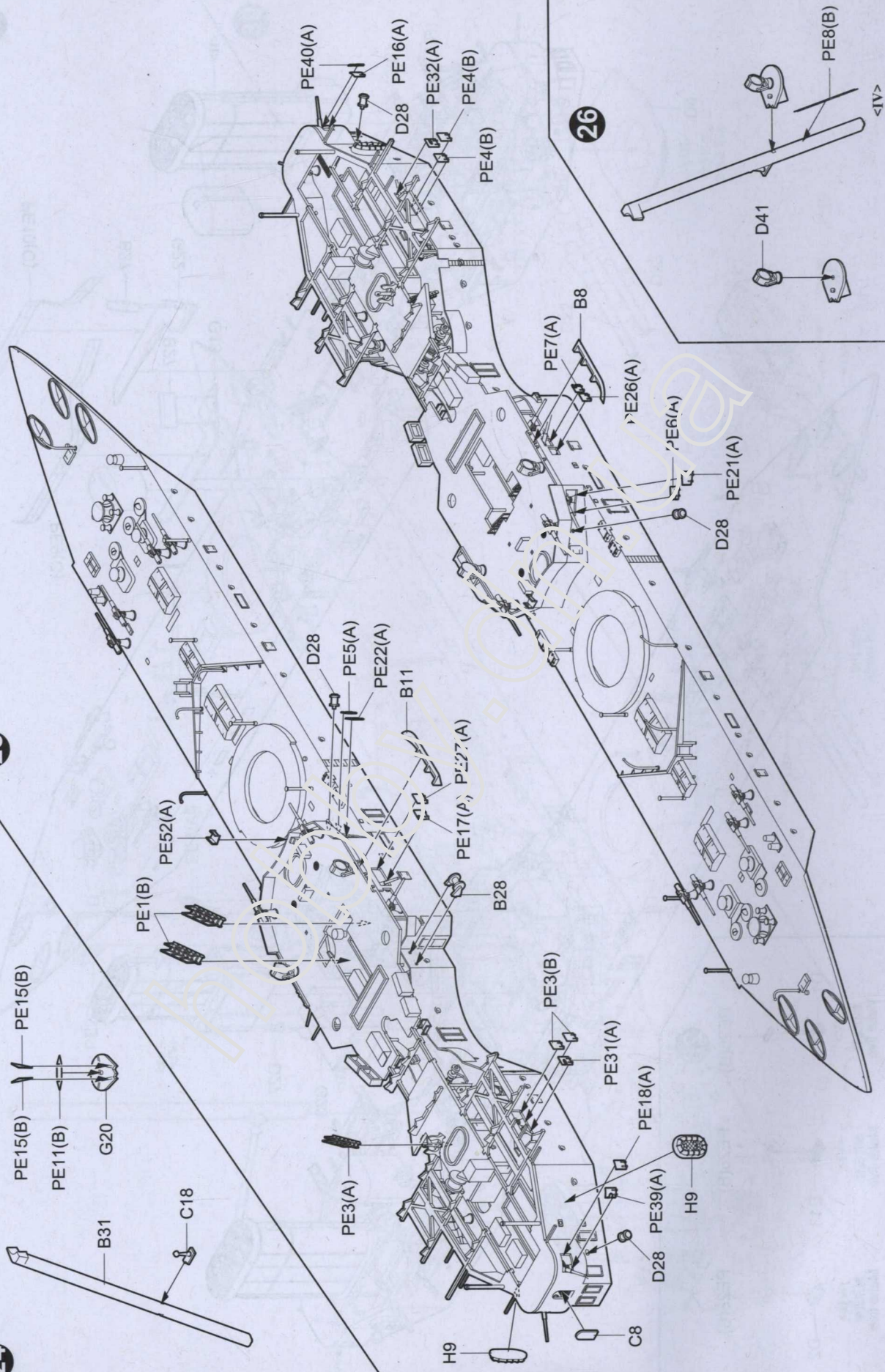




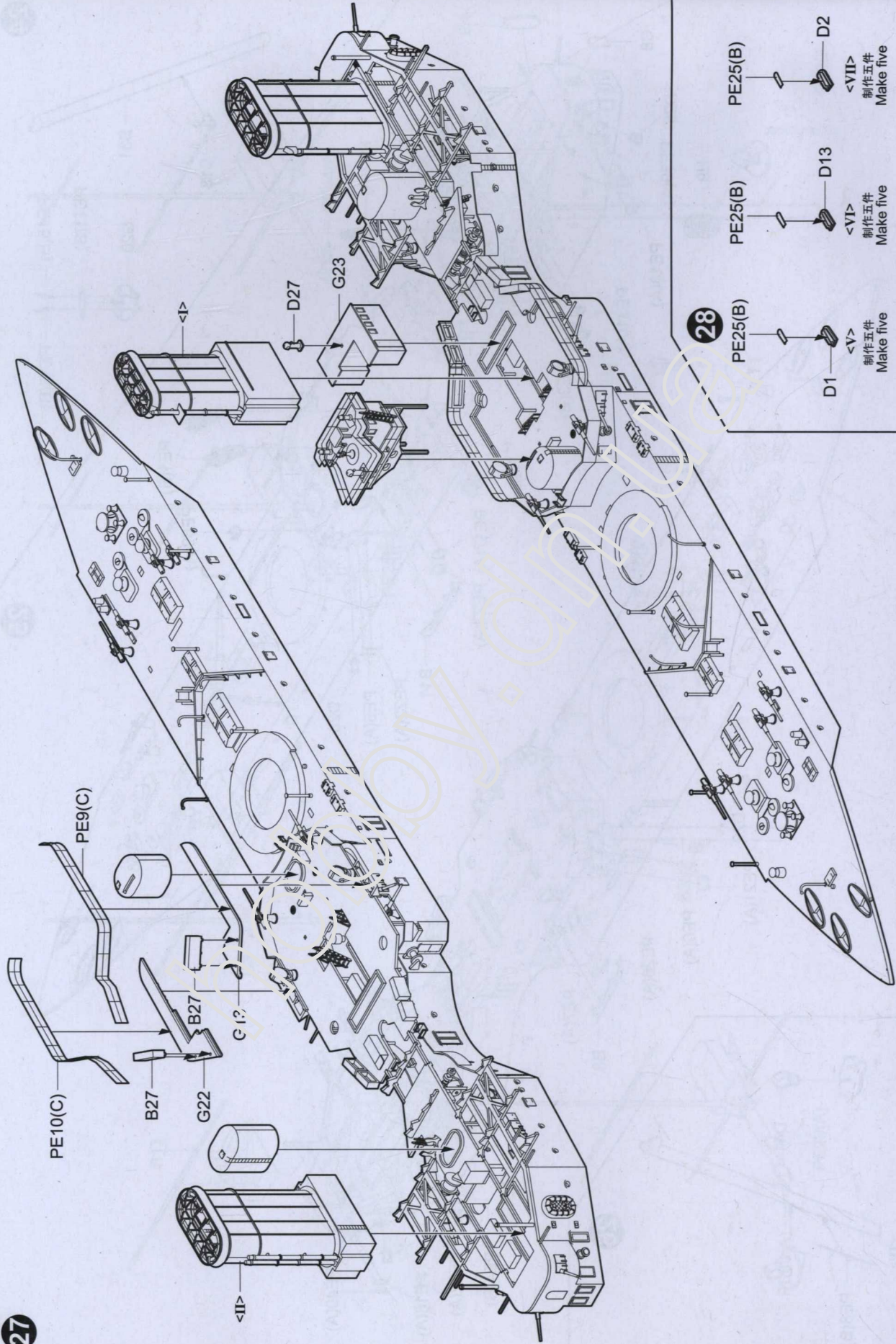
24

25

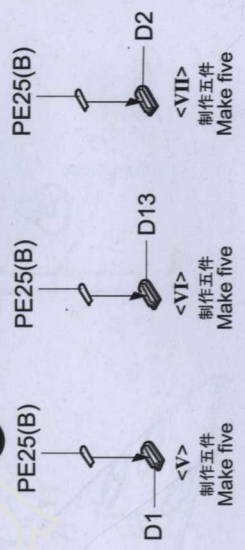
26

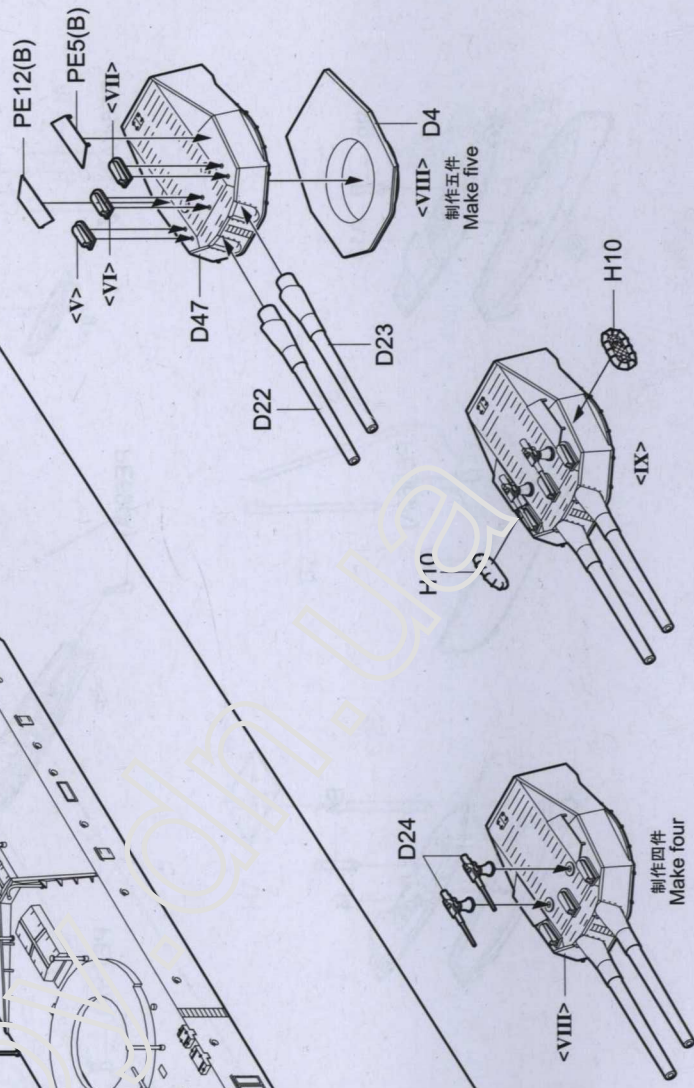
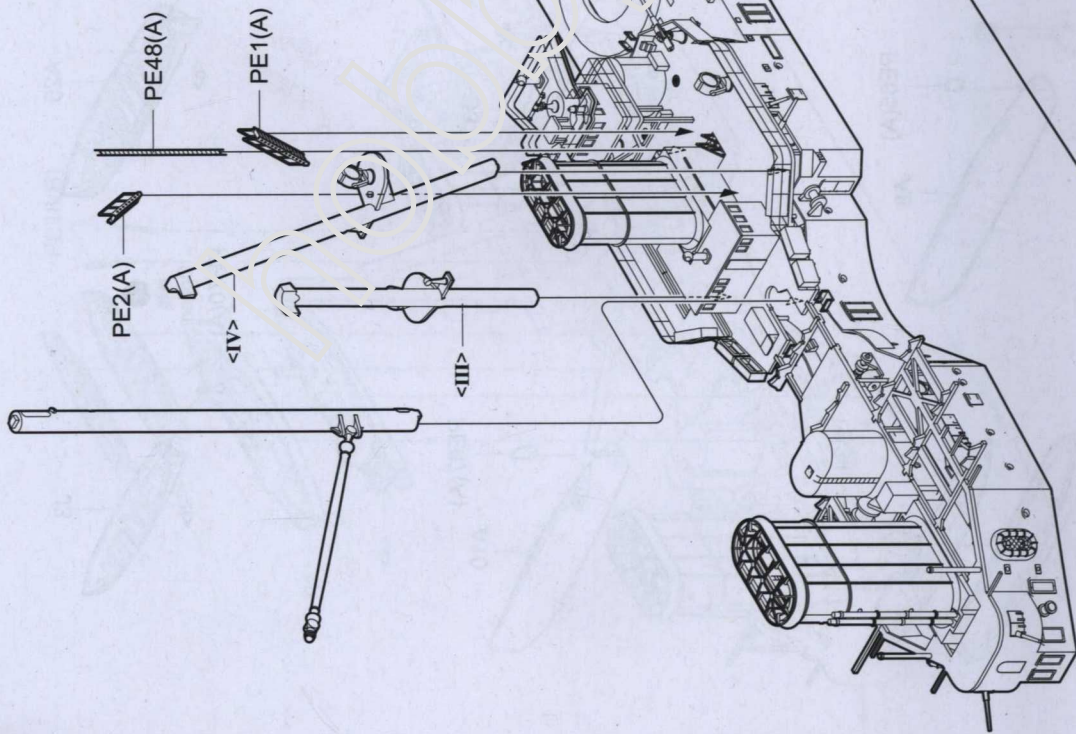


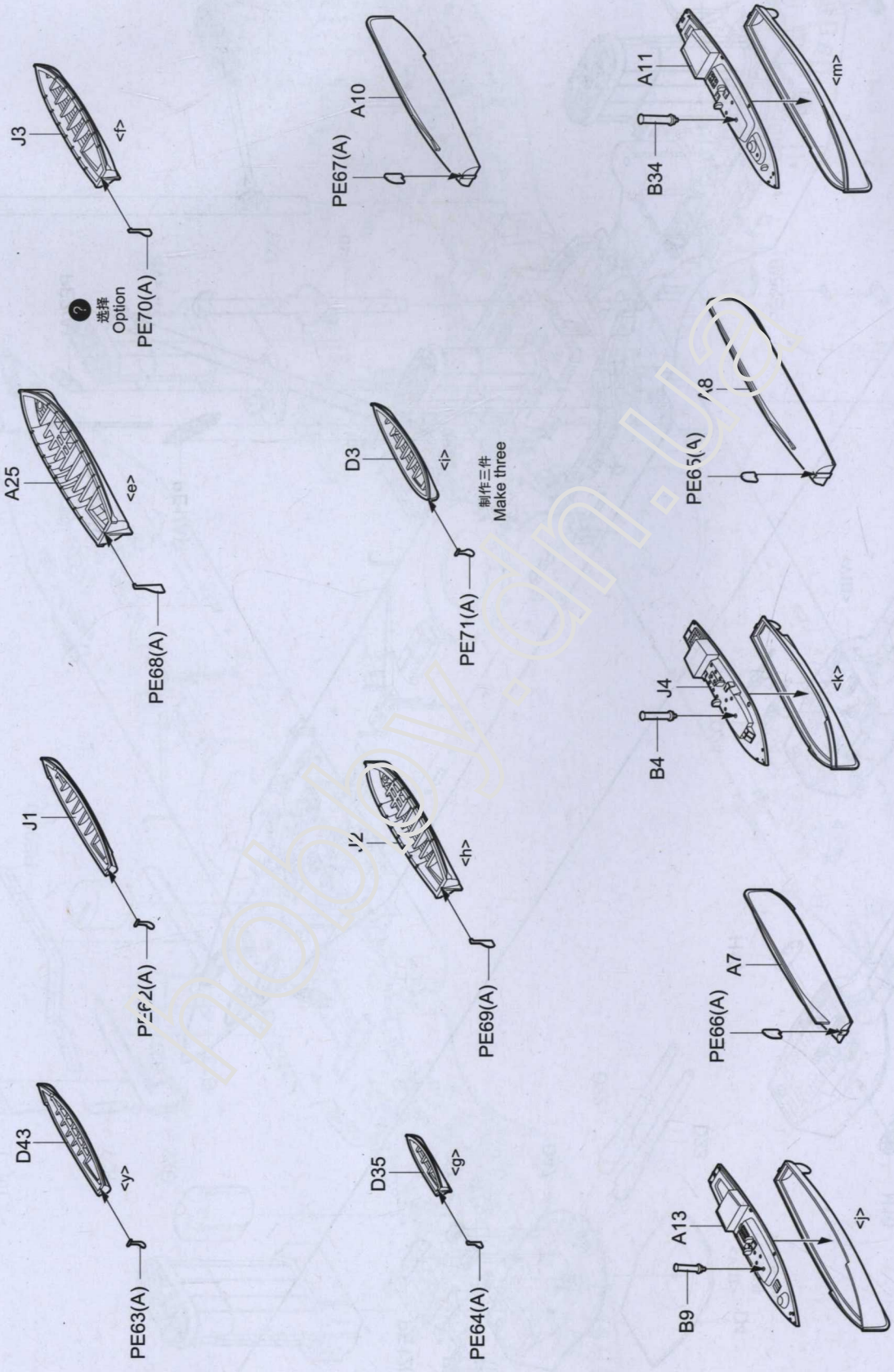
27



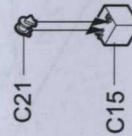
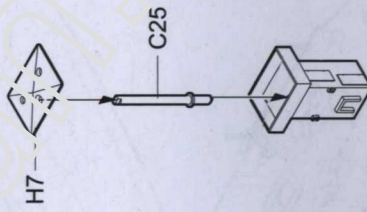
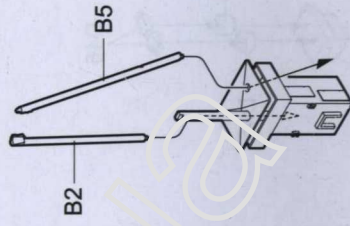
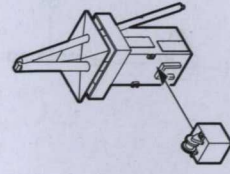
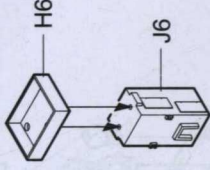
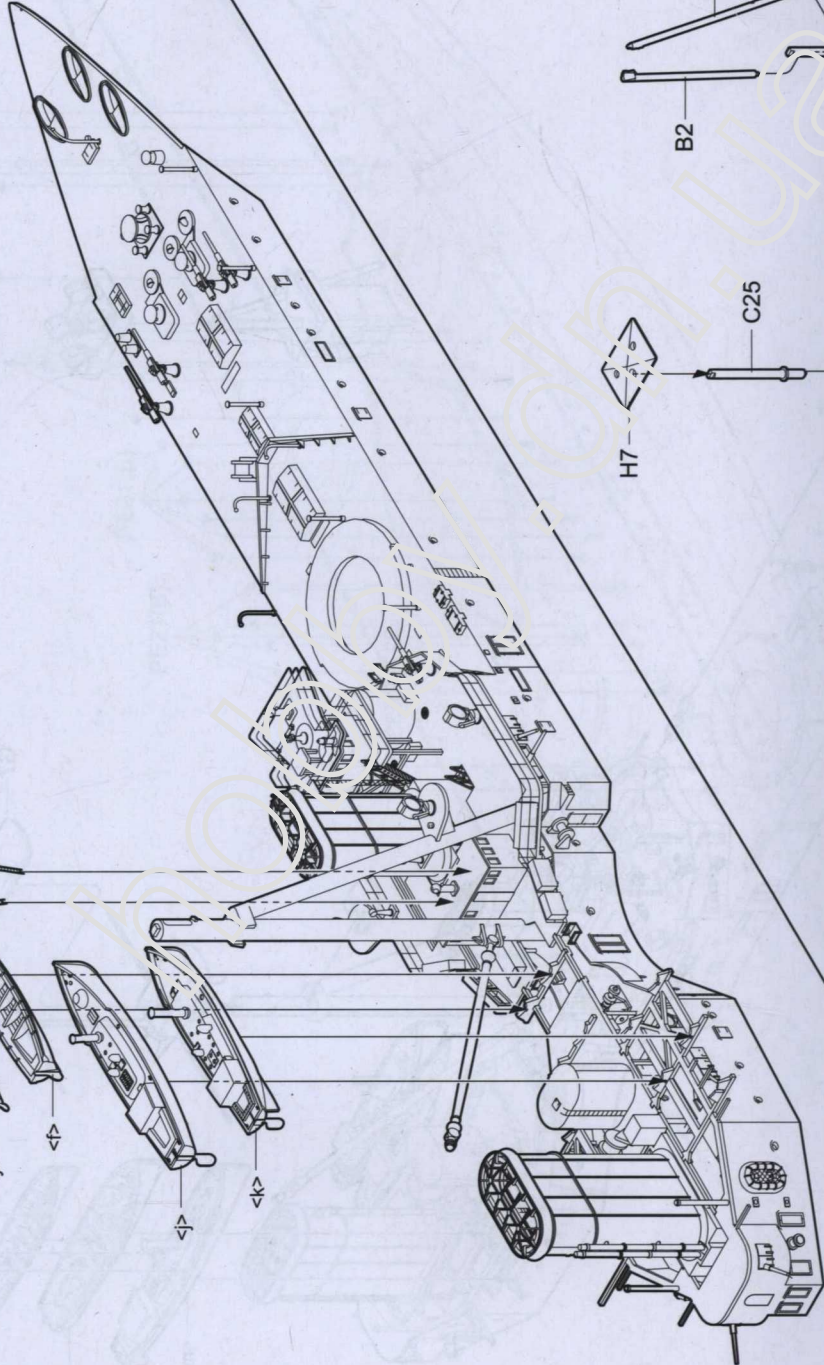
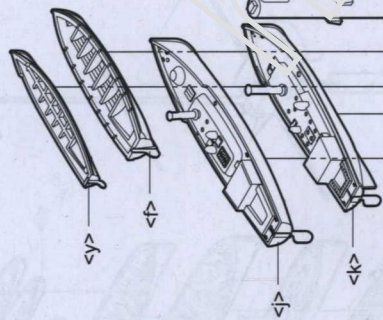
28

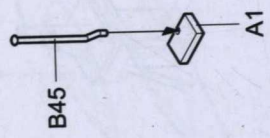
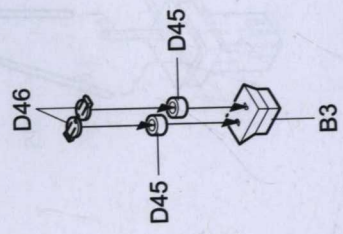
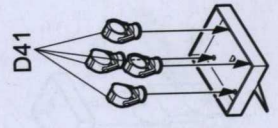
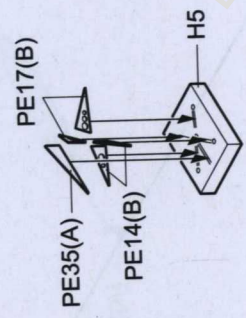
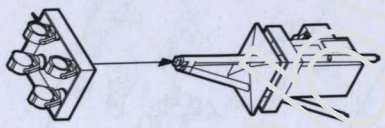
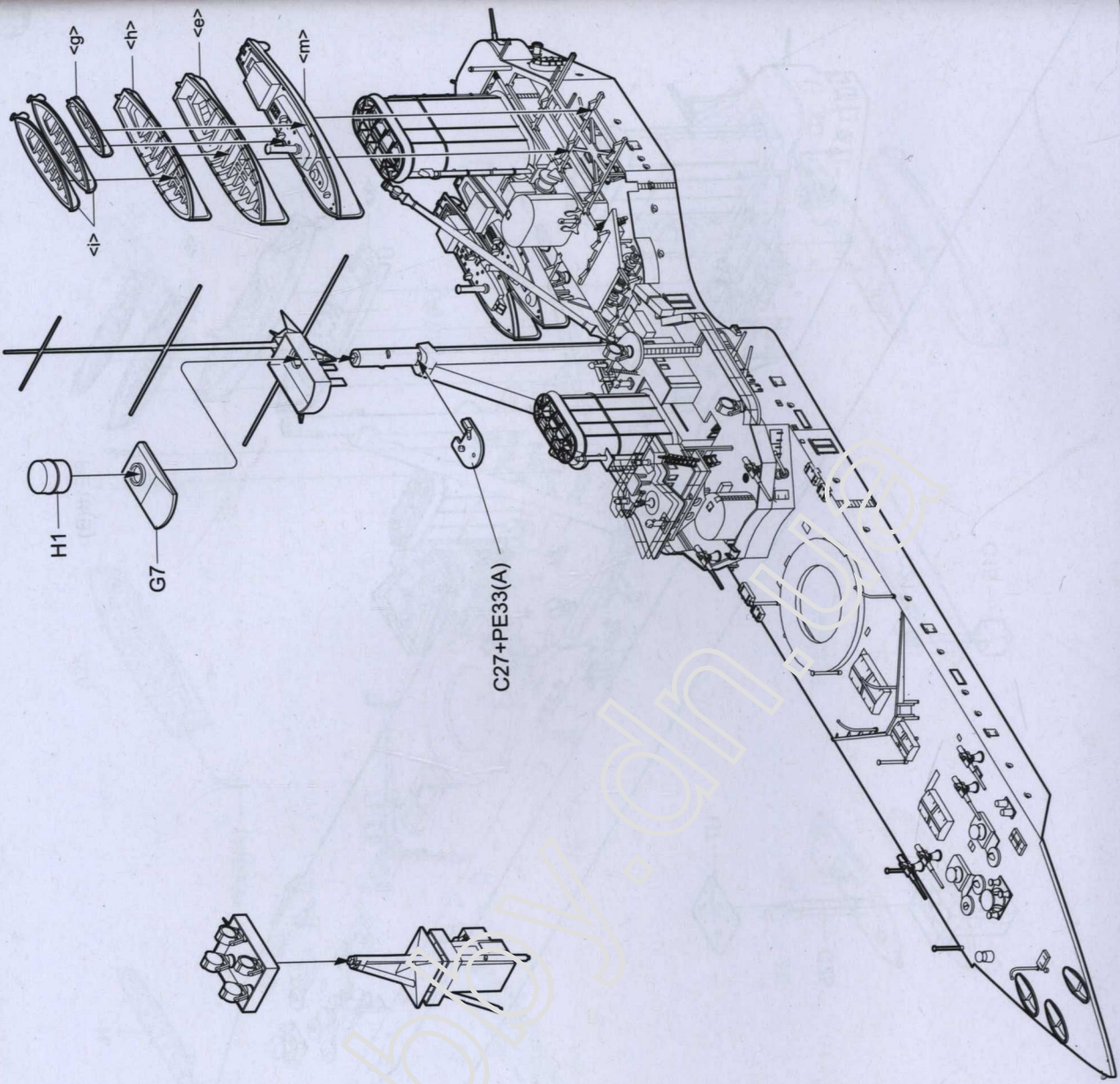


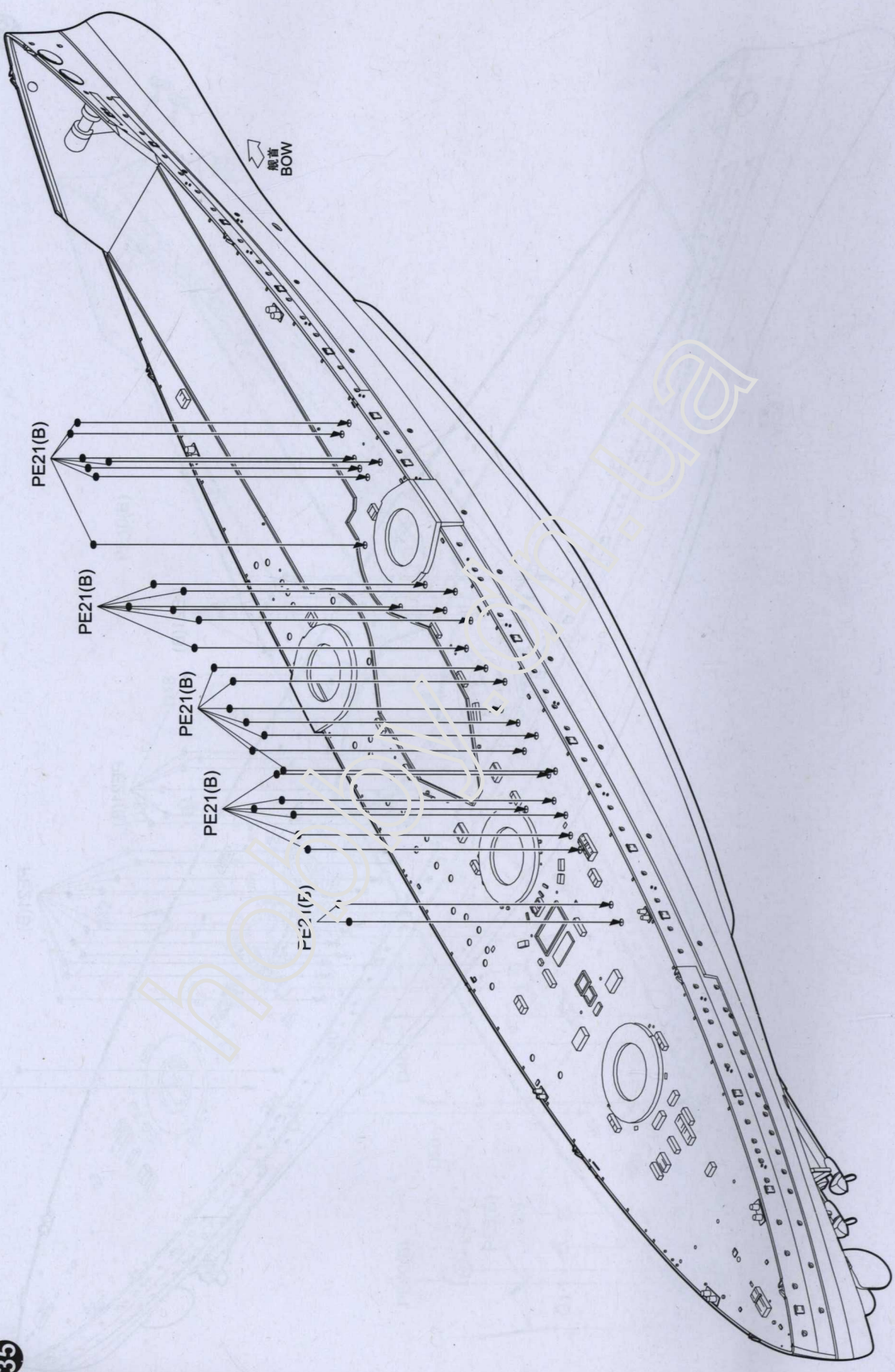


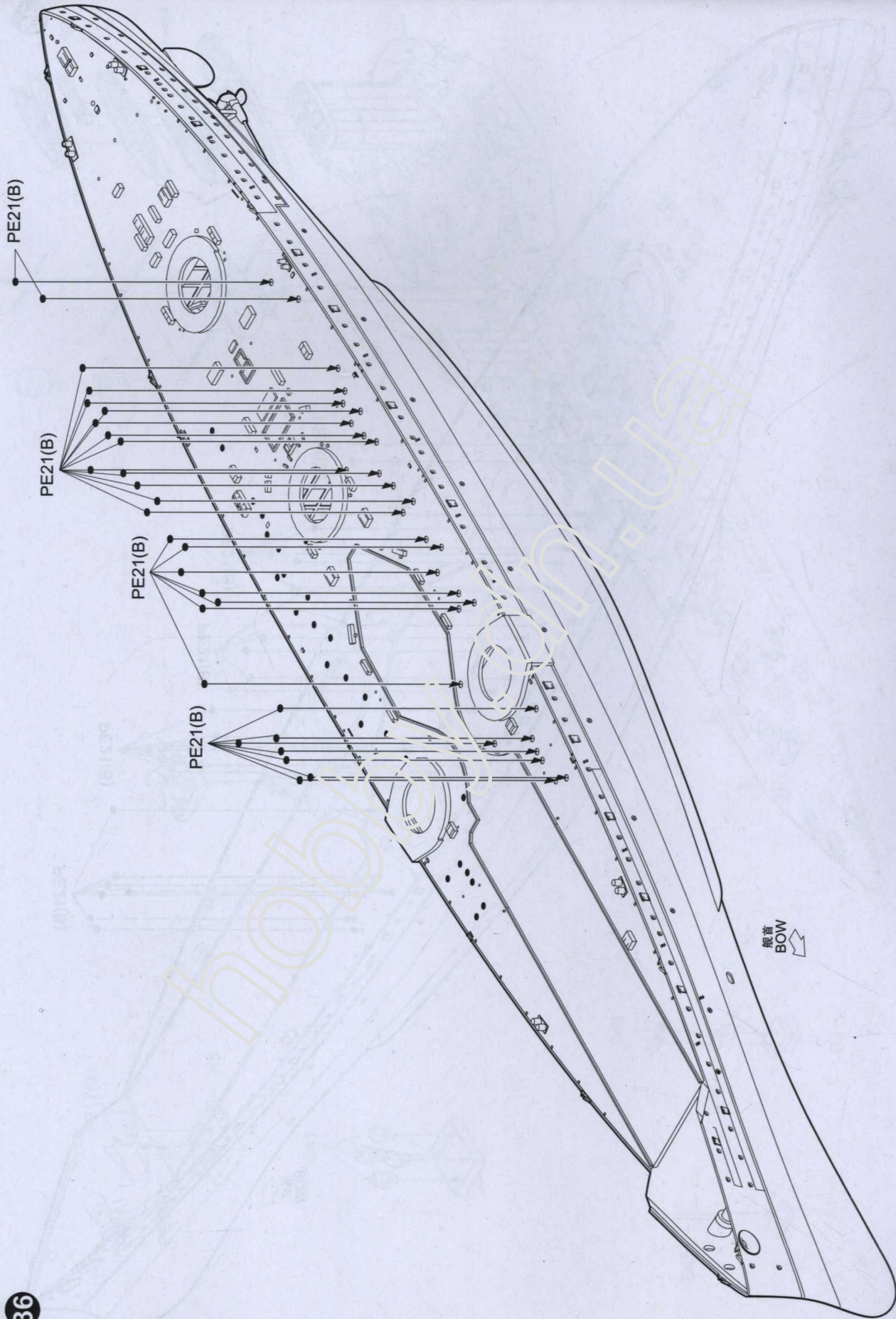


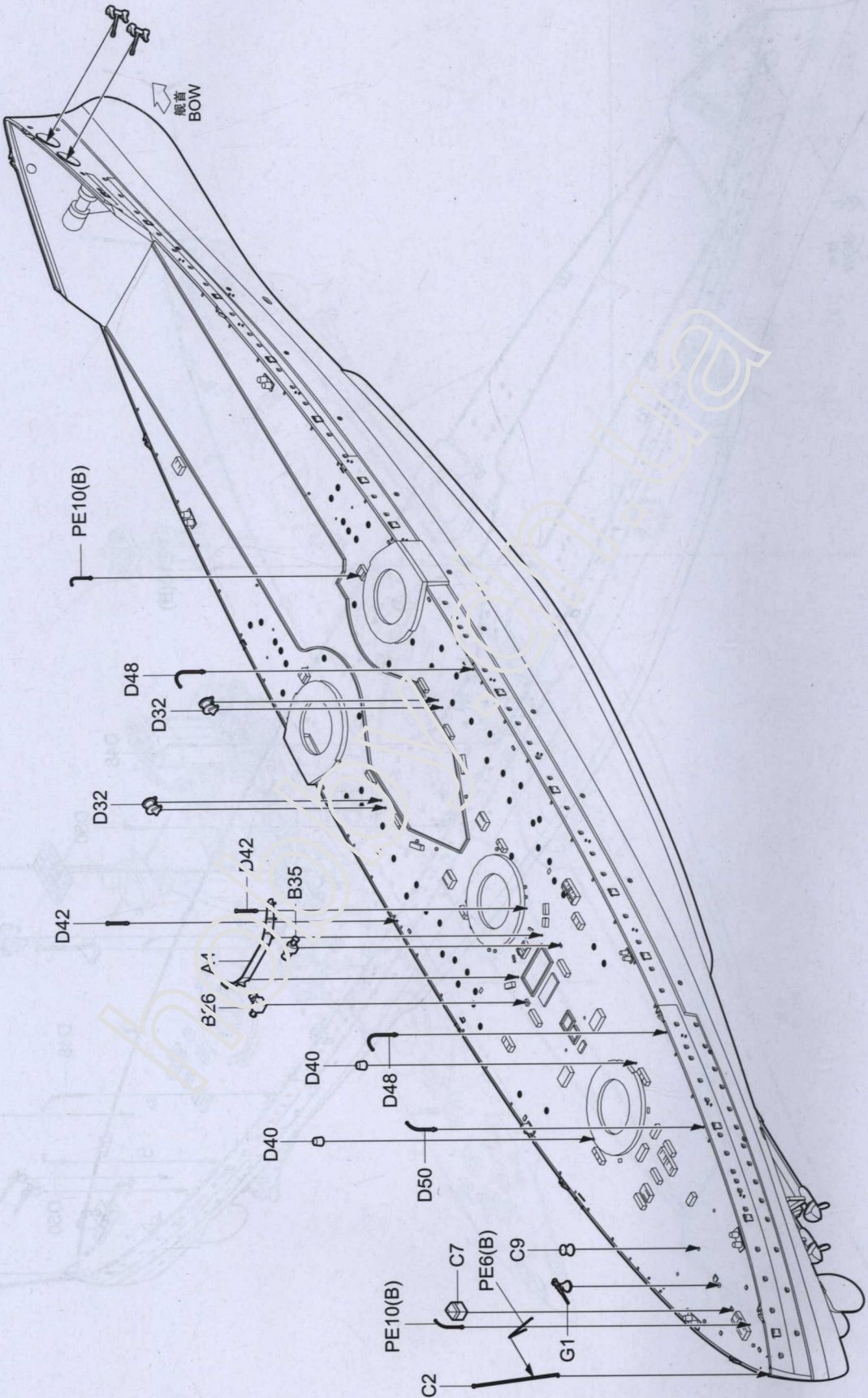
PE18(B)

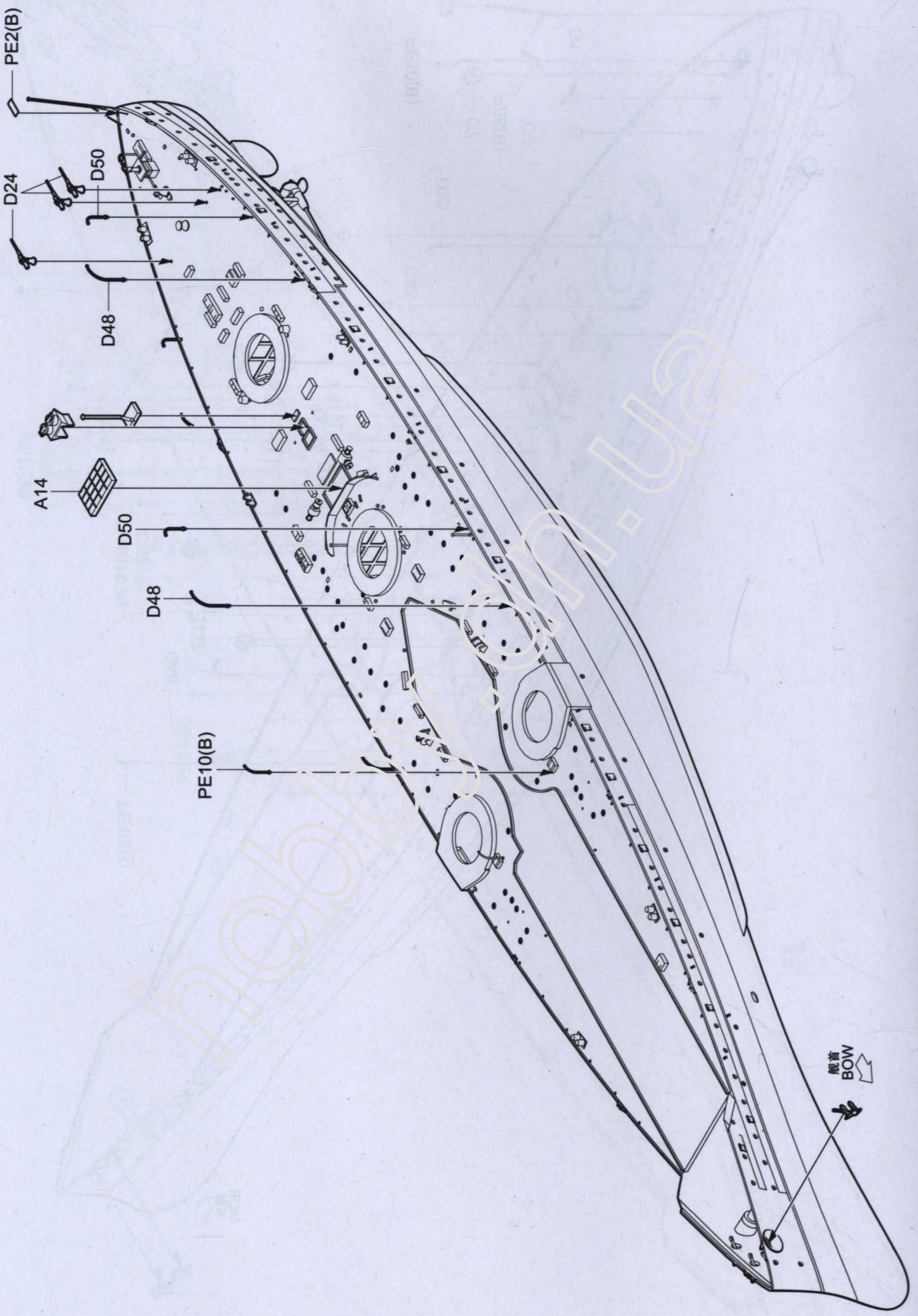




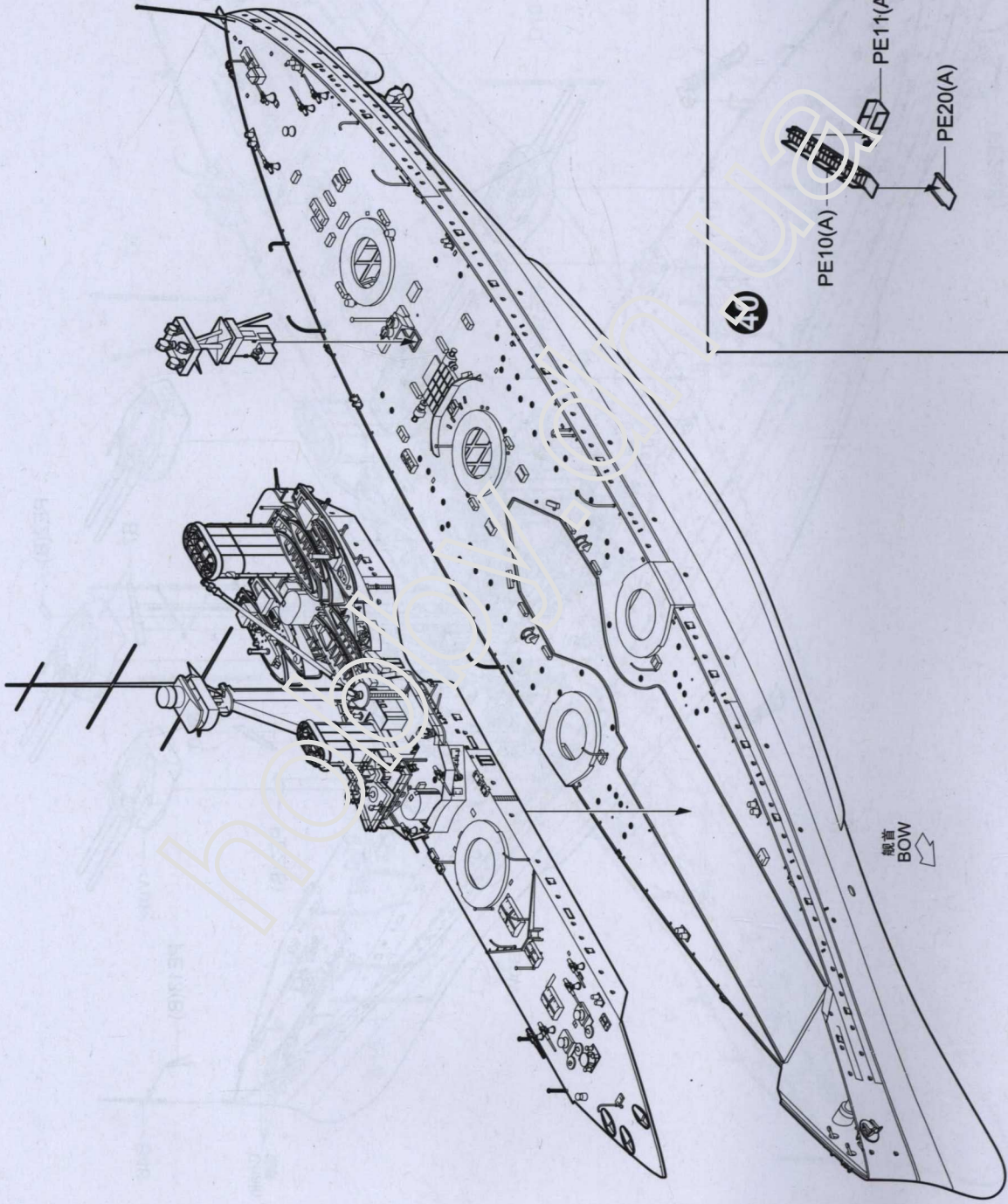




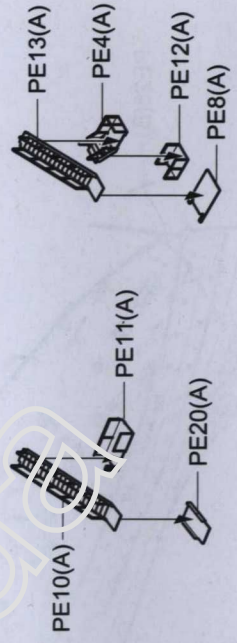


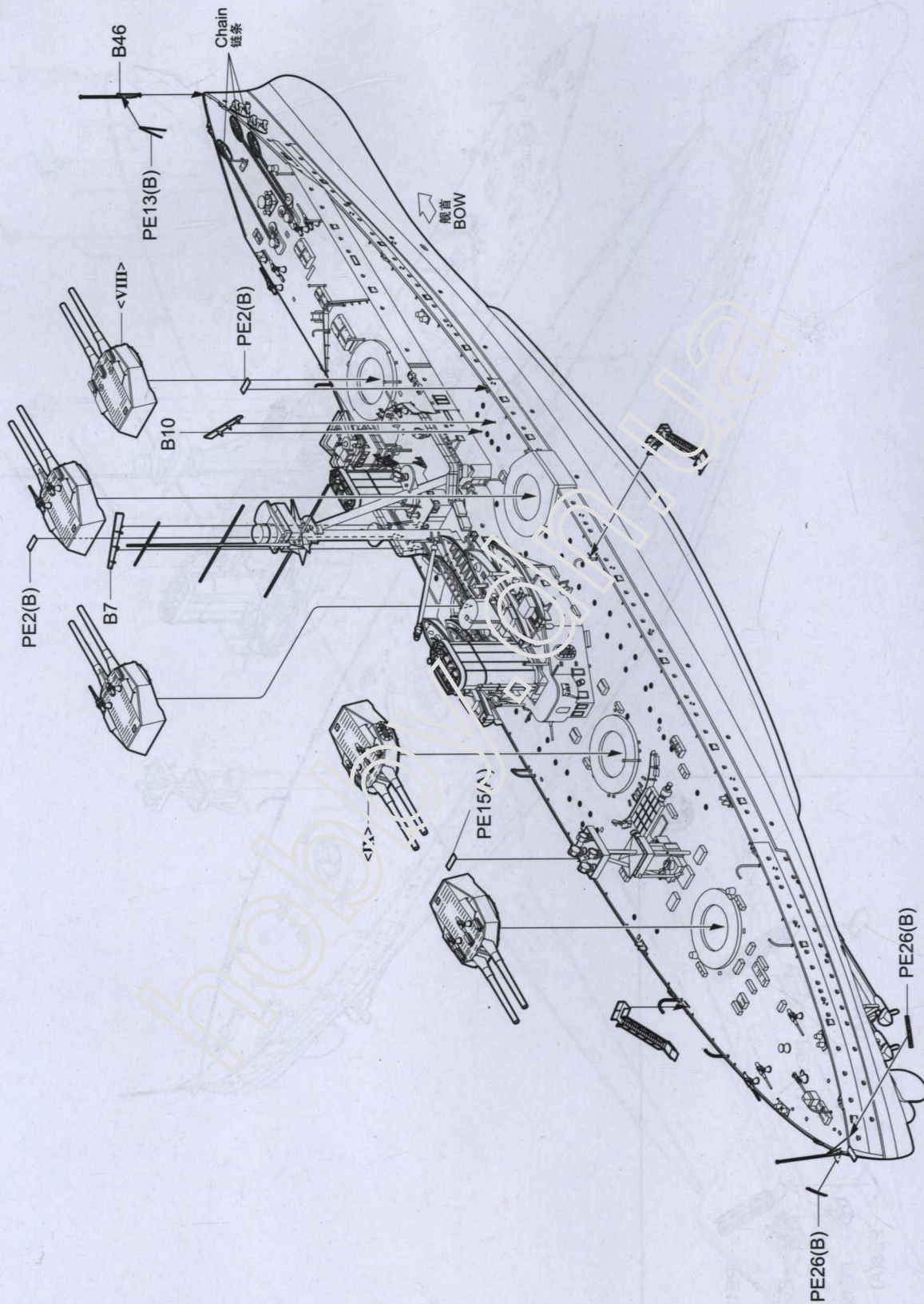


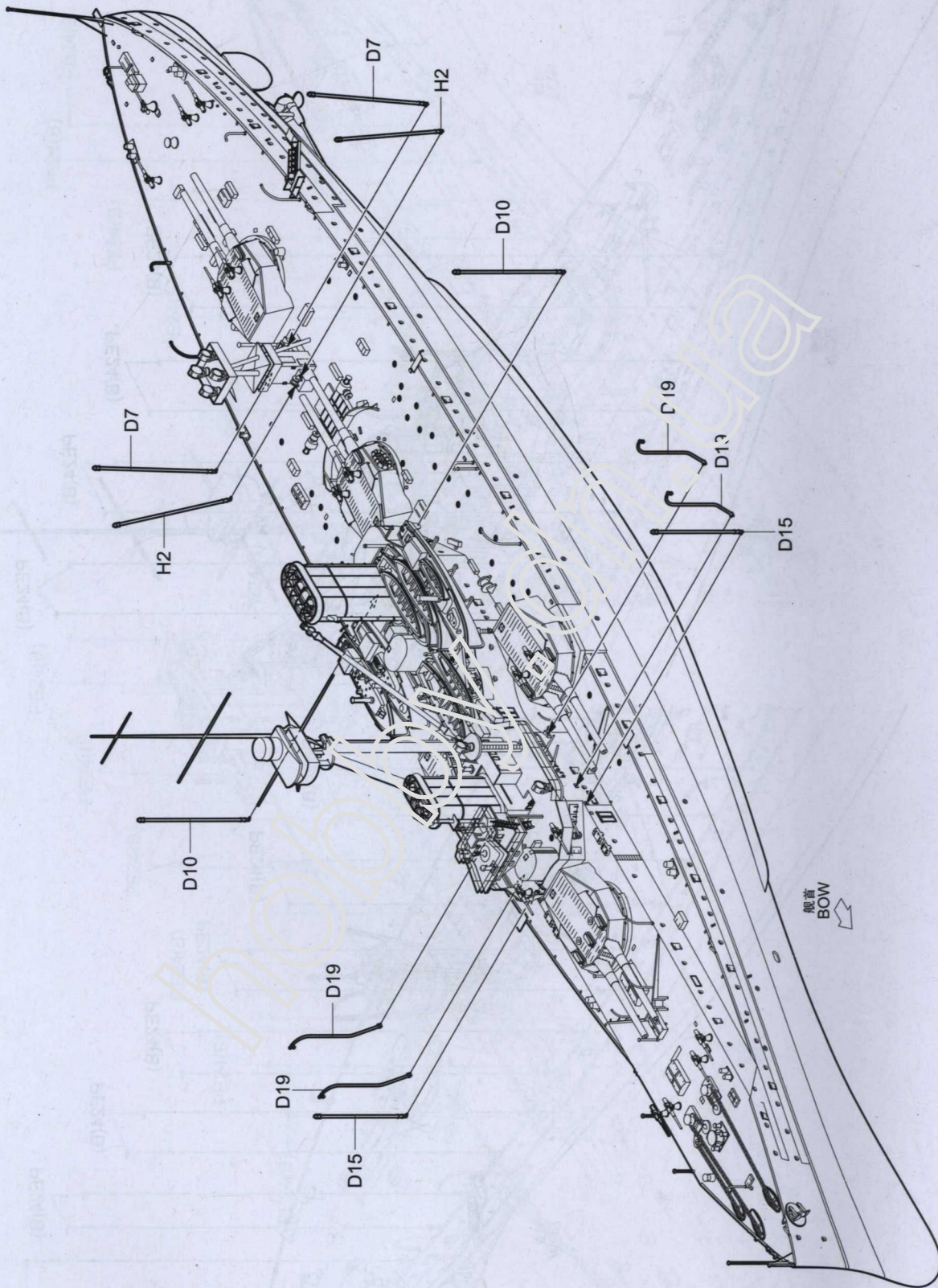
39

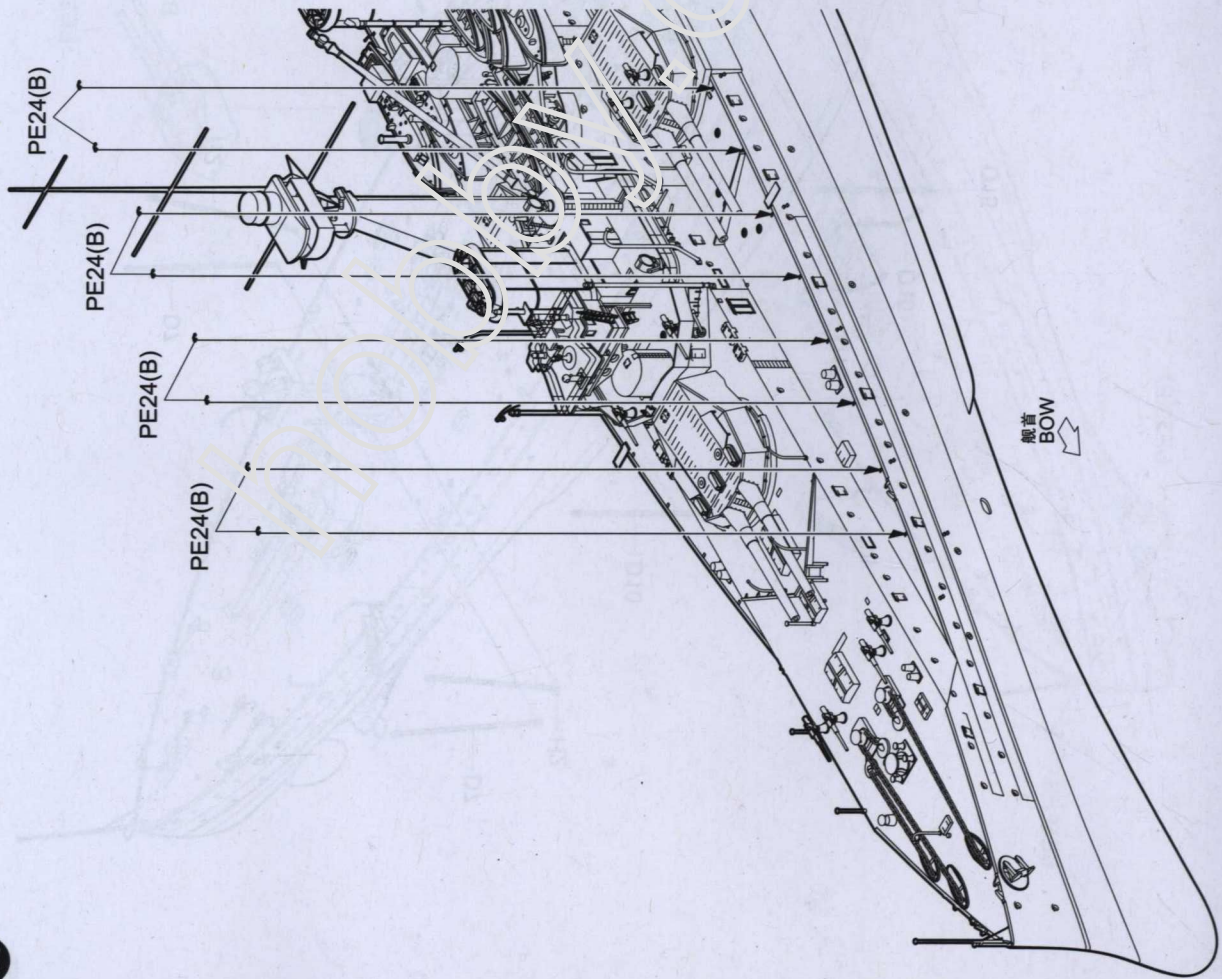


40









PE24(B)

PE24(B)

PE24(B)

PE24(B)

PE24(B)

PE24(B)

PE24(B)

PE24(B)

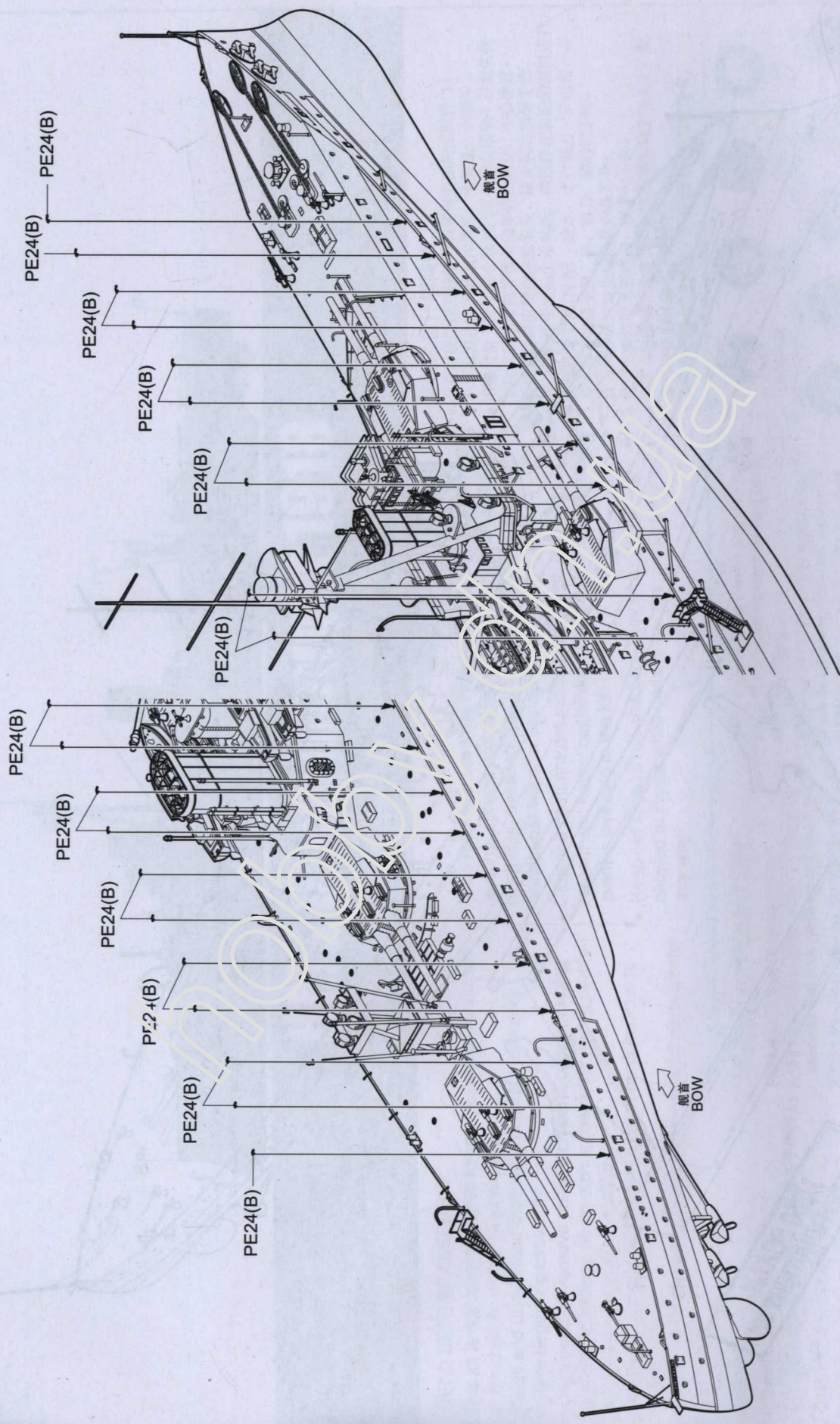
PE24(B)

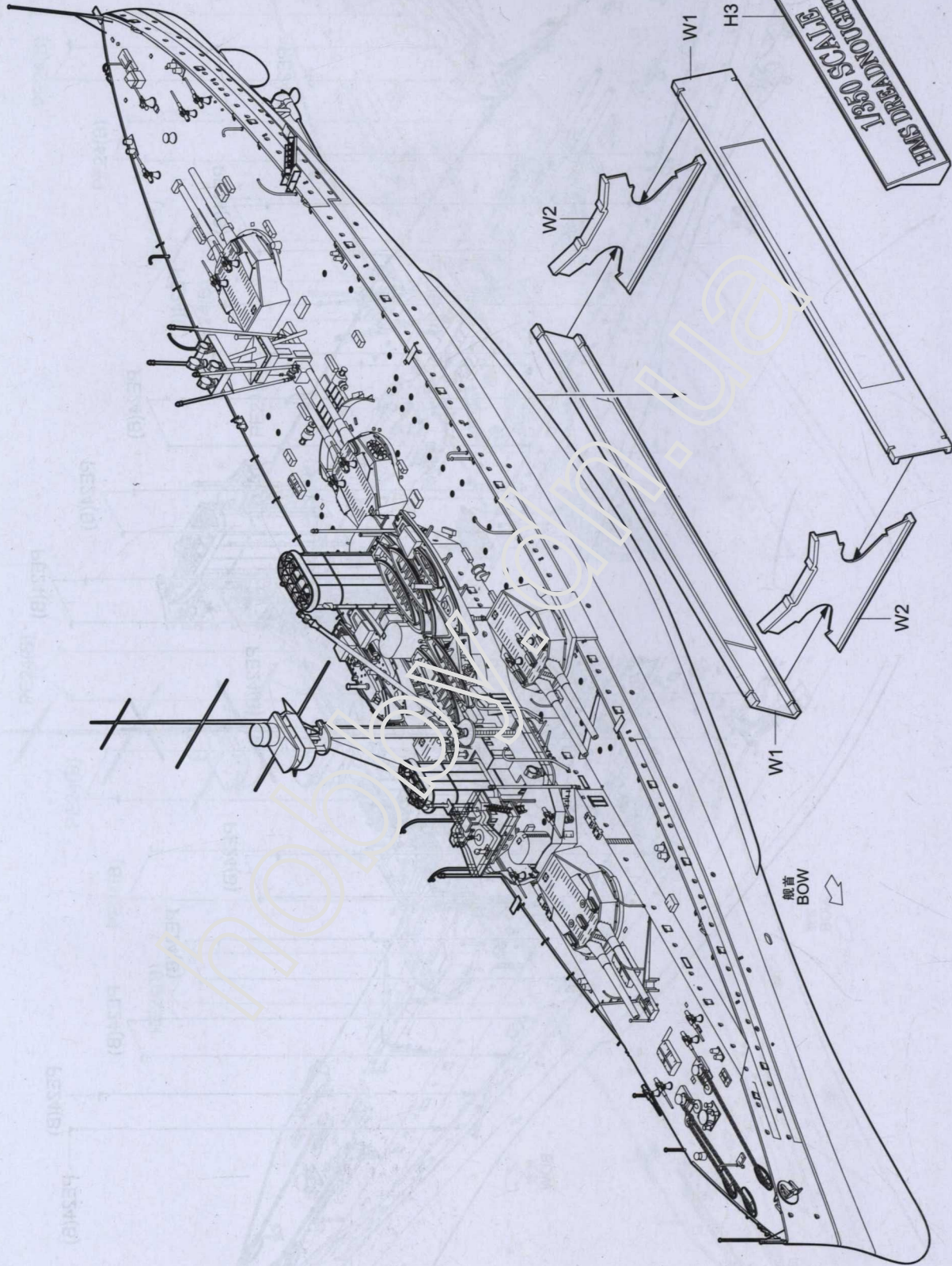
PE24(B)

PE24(B)

艏 BOW

艏 BOW





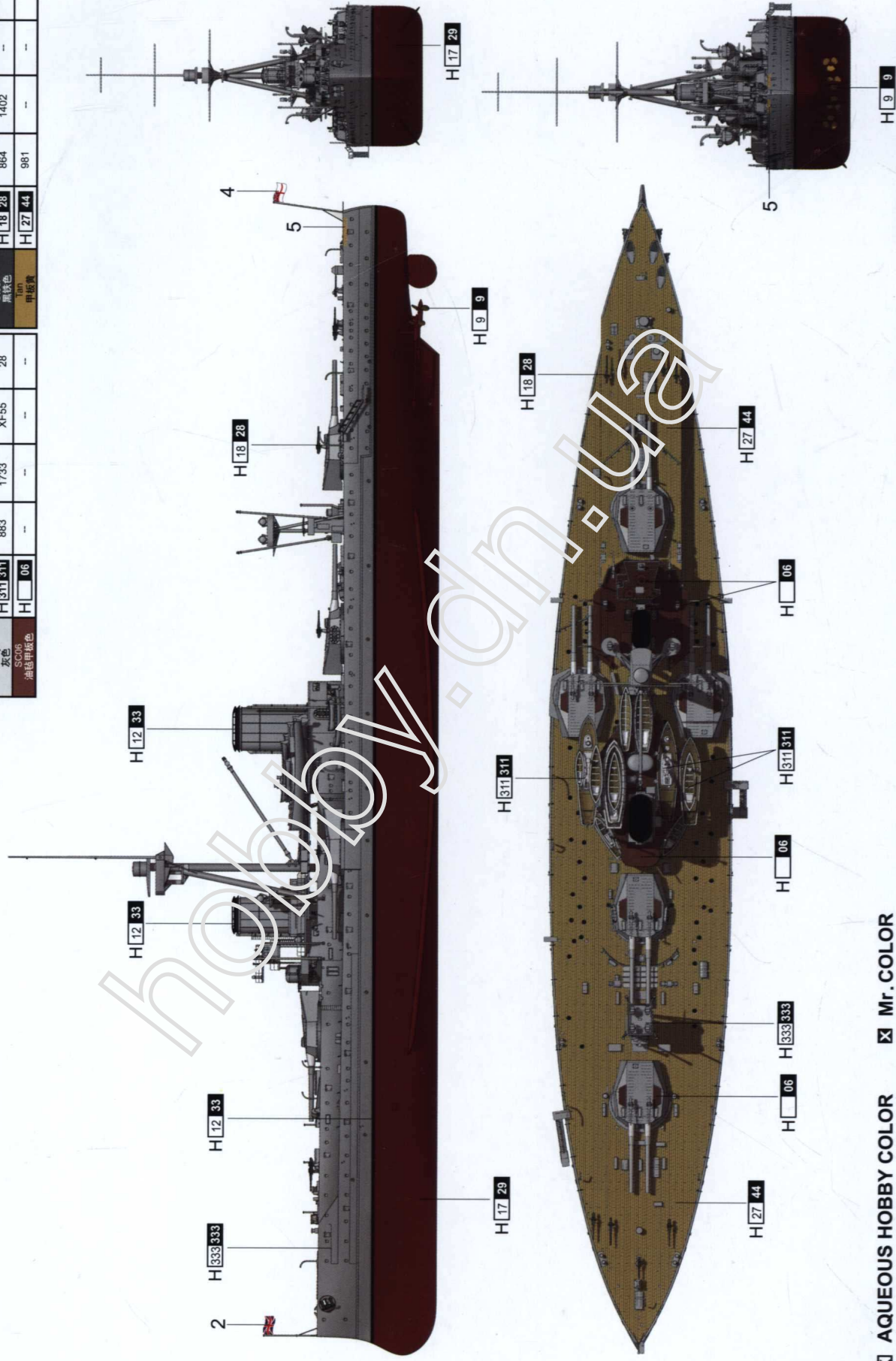
涂装同标贴指示

Painting & Marking guide

PAINT REFERENCE COLOUR

Color	Mr.Hobby	Vallejo	Model Master	Tamiya	Humbrol
Dark Sea Gray 深海灰	H 333 333	994	--	XF50	123
Hull Red 舰体红	H 17 29	985	--	XF9	177
Gray 灰色	H 311 311	883	1733	XF55	28
SC06 油毡甲板色	H 06	--	--	--	--

Color	Mr.Hobby	Vallejo	Model Master	Tamiya	Humbrol
Flat Black 消光黑	H 12 33	950	1749	XF1	33
Gold 金色	H 9 9	878	1744	XF12	16
Steel 黑铁色	H 18 28	864	1402	--	--
Tan 甲板黄	H 27 44	981	--	--	9



AQUEOUS HOBBY COLOR Mr. COLOR

05330 1/350 HMS Dreadnought 1918