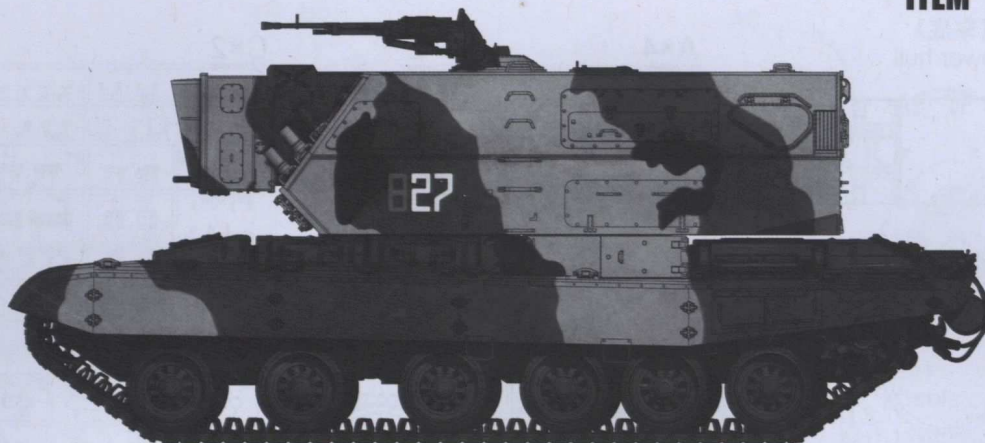


1/35 SCALE

ITEM NO.:05542



# Soviet 1K17 Szhatie

## 苏联1K17激光战车

### READ BEFORE ASSEMBLY:

- Study and understand these instructions thoroughly before beginning assembly
- When needed, remove photo-etch parts carefully using a modeling knife or photo etch sprue cutter, being careful not to damage or lose small parts.
- Take extra care in handling photo etch parts in order to avoid injury
- Apply instant cement sparingly to photo etch parts where instructed
- Tools recommended(not included in kit):Plastic and instant cements, sprue cutters,long nose pliers,modeling knife, small files, tweezers, pin vise & scissors. Soft cloth and sandpaper will also assist in construction
- Glue and paint are not included in the kit. Use plastic cement and hobby paints only. Color guide for purchasing paint is included in the kit.

### 装配之前仔细阅读

- 小心用模型锉刀锉平所有零件表面的注射浇口。
- 小心用刀片切下蚀刻片零件，不要遗失小零件。
- 用强力快干胶水粘合蚀刻片零件和金属轴。过量快干胶水使用可能导致可动零件会粘住，小心涂胶。
- 取蚀刻片时应特别注意安全，防止利边划伤手指。
- 某些零件表面需贴上水贴纸，请选择在装配的同时进行。
- 推荐模型工具(自备)：胶水，水口剪刀，长咀钳，刀片，锉刀，镊子，钳，钻，剪刀，瞬间快干胶。
- 软布同砂纸同时也应该是必备工具。
- 请使用塑料胶水和油漆，模型内不含。



配重  
Weight



使用强力胶  
Cyanoacrylate glue



钻孔  
Make hole



切除  
Cut / Remove



贴纸  
Decal



锉平  
File / Sand



选择  
Option



不涂胶水  
No cement



弯曲  
Bend

### 水贴纸的使用:

- 1.从水贴上剪下印花;
- 2.将印花放入温水中浸10秒, 然后放在干净布上.
- 3.拿着印花纸板将印花移到模型上;
- 4.手指蘸水将印花移到适当的位置;
- 5.用软布轻压印花直至水干, 汽泡消失

### DECAL APPLICATION

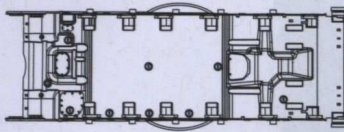
- 1.Cut decals from sheet as needed
- 2.Dip the decal in warm water for about 10 seconds and then place on soft clean cloth.
- 3.Hold the decal backing sheet edge and gently slide the decal onto the model in its proper position.

- 4.While still wet,decal can be adjusted for better fit on model by dampening it gently with your finger.
- 5.When placed in the proper position,gently press decal down with a soft cloth until excess water and air bubbles are gone.
- 6.Allow decal to dry completely before handling model

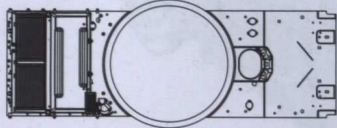


部品图  
Parts

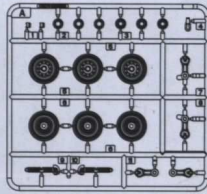
《车底》  
Lower hull



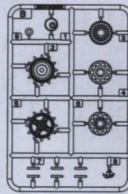
《车面》  
Upper hull



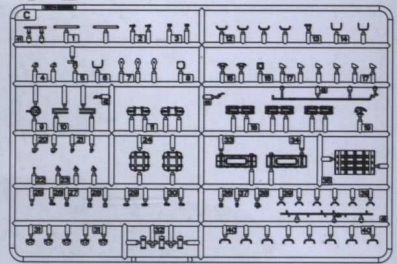
A×4



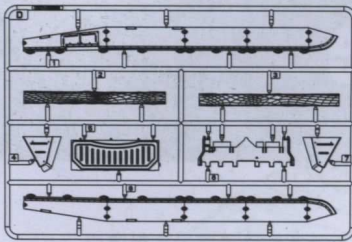
B×2



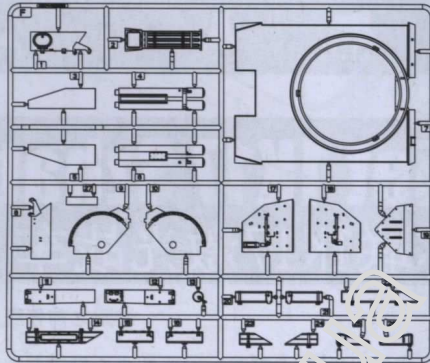
C×2



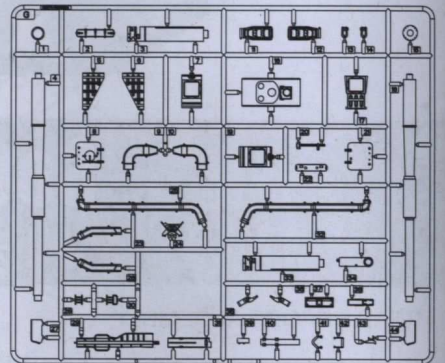
D



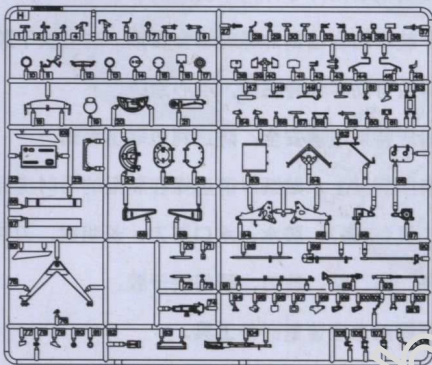
F



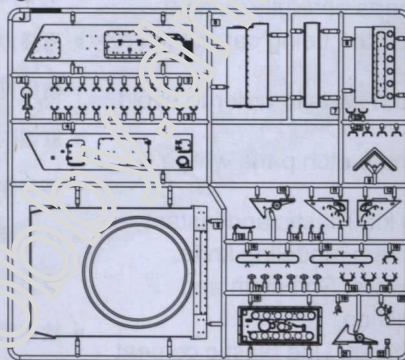
G



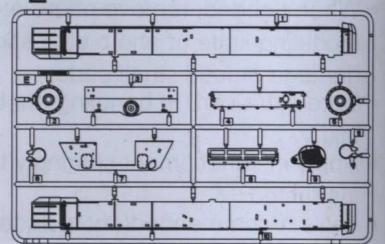
H



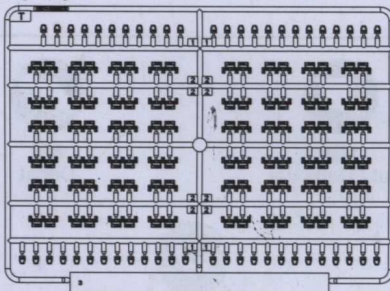
J



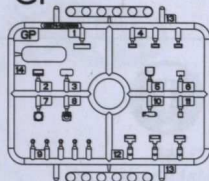
E



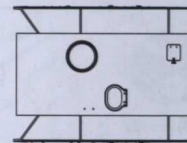
T×4



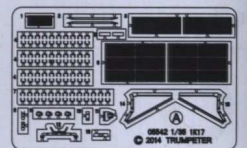
GP



《炮塔》  
Turret



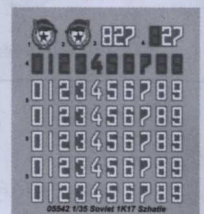
《蚀刻片A》  
PE-A



铜缆 Ø0.8×240mm  
Brass wire



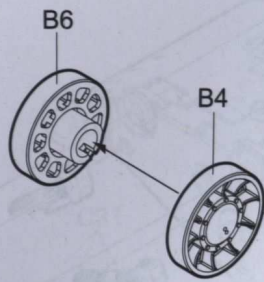
《水贴》  
Decal



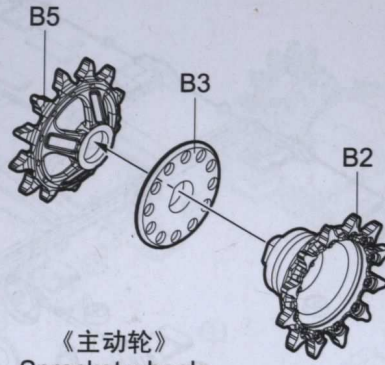
不用的零件: C2,C5,C7,C9,C12,C16,C25,C26,C28,C29,C30,C40,  
E7,F1,F4,F6,F7,F8,F9,F10,F13,F17,F18,F19,F27,  
G1,G3,G4,G8,G9,G10,G11,G12,G15,G16,G18,G21,G23,G24,  
G25,G26,G29,G31,G32,G33,G34,G38,G39,G40,G41,G42  
H2,H6,H7,H8,H9,H11,H12,H13,H14,H15,H16,H18,H19,H21,H23,  
H25,H28,H30,H31,H32,H33,H35,H36,H37,H39,H40,H42,H43,H46  
H47,H50,H51,H53,H54,H55,H57,H58,H59,H60,H61,H62,H64,H65  
H66,H67,H71,H75,H78,H84,H85,H86,H87,H88,H89,H90,H92,H93  
H95,H96,H101,H102,H103,H105,H106,H107,H109,H110  
GP1,GP3,GP4,GP5



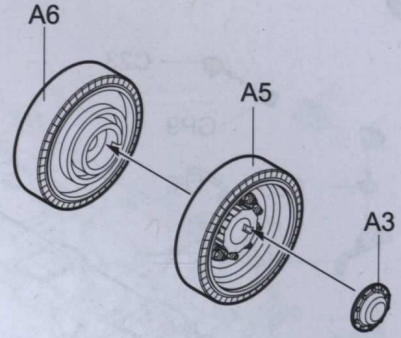
1



《诱导轮》  
Idler wheels  
制作2组  
Make two

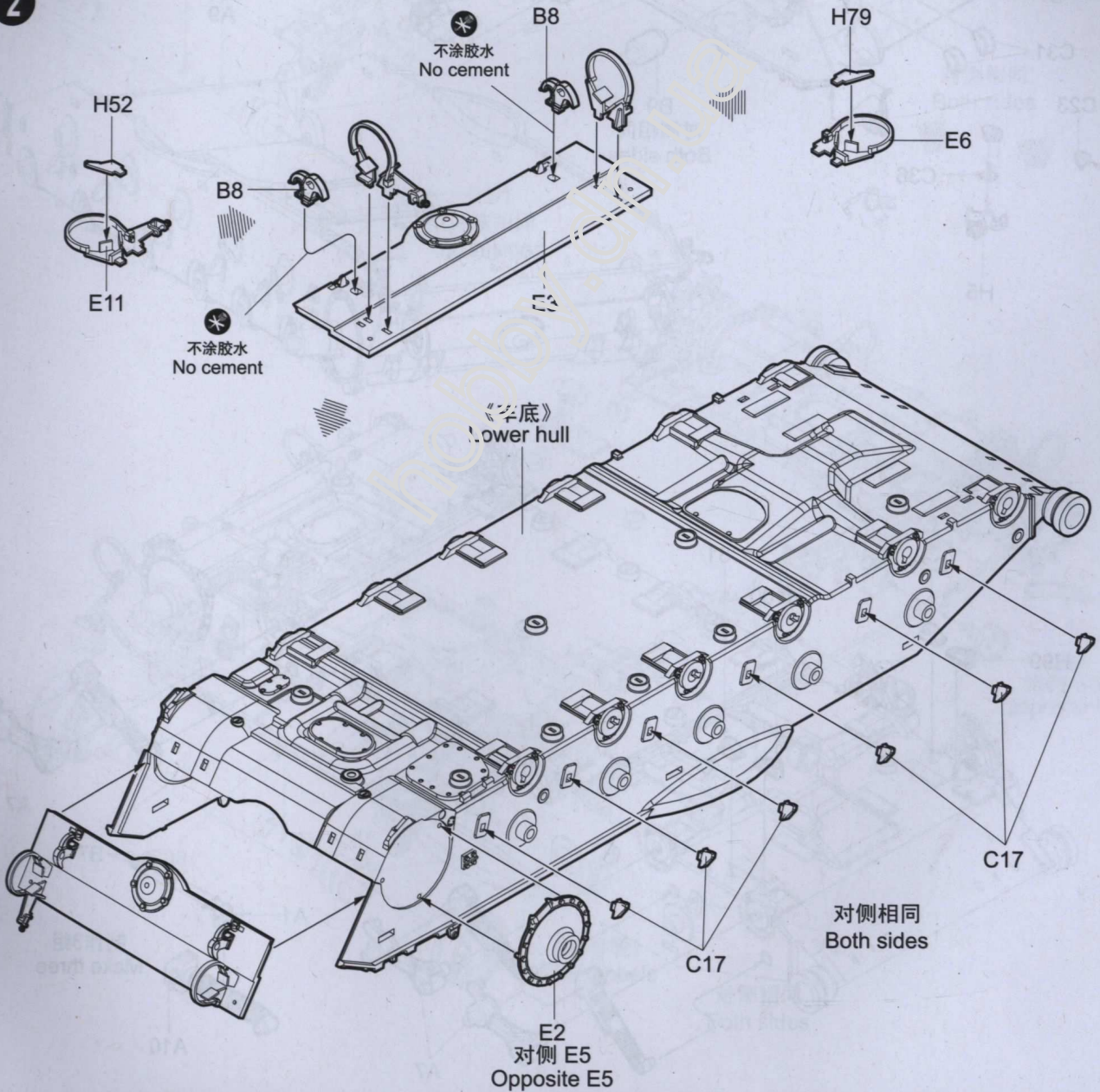


《主动轮》  
Sprocket wheels  
制作2组  
Make two



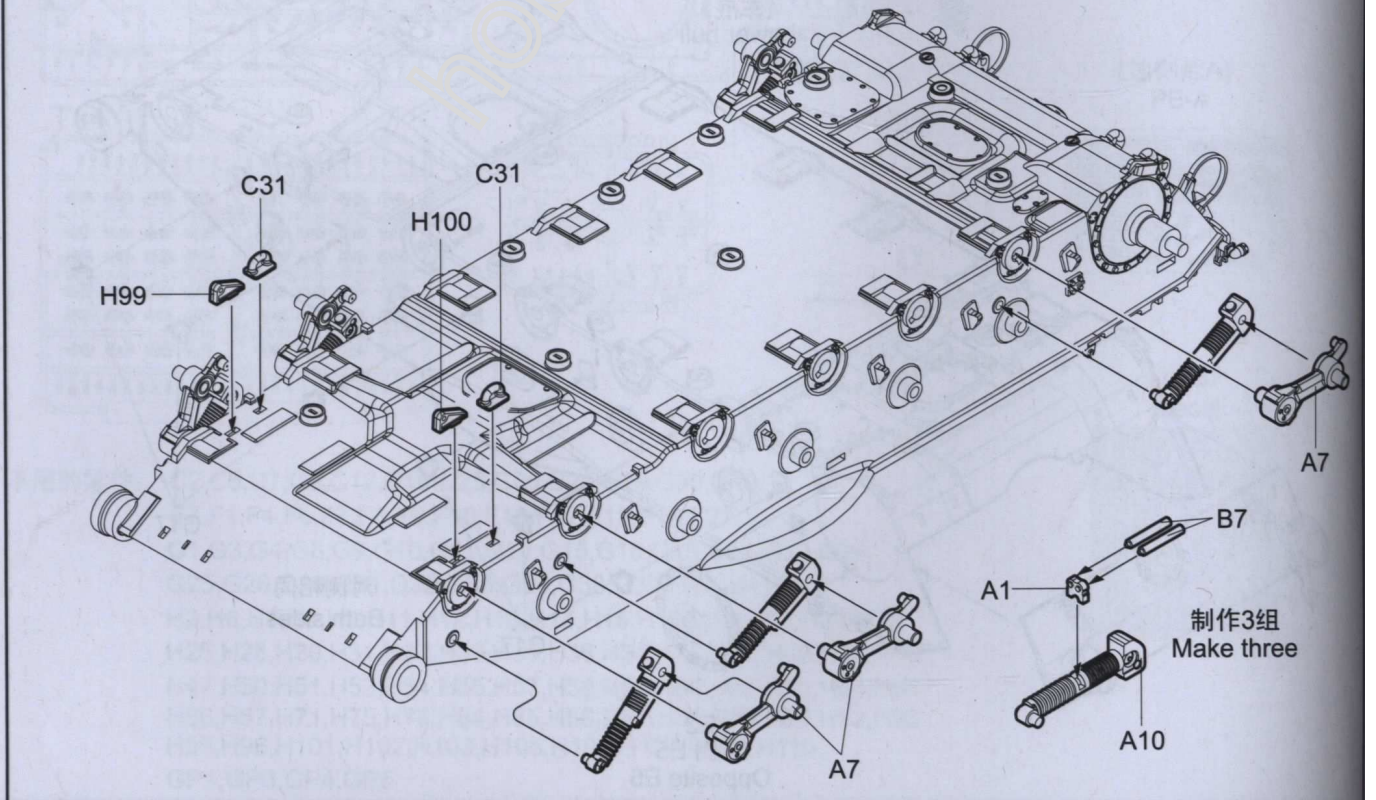
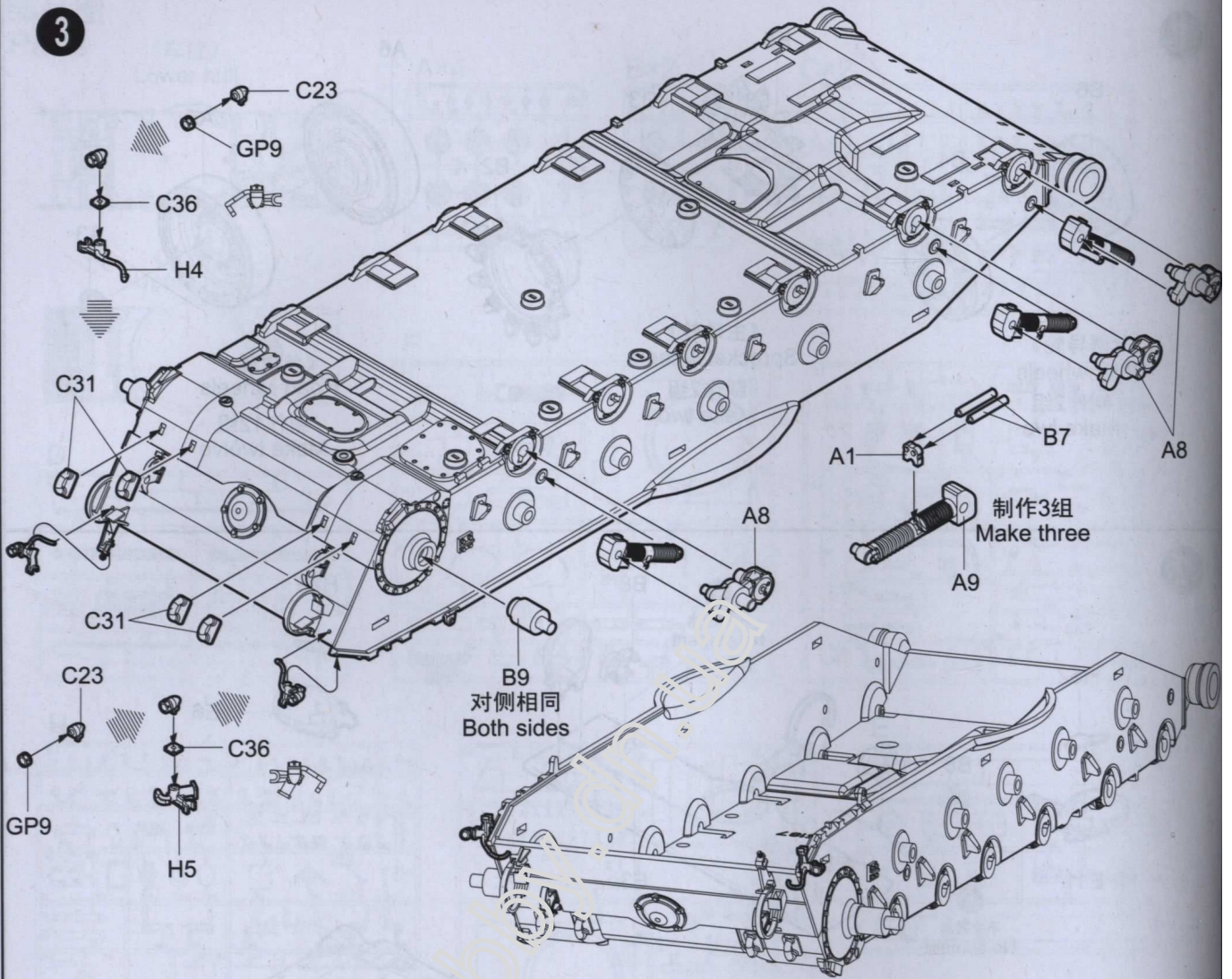
《负重轮》  
Road wheels  
制作12组  
Make twelve

2



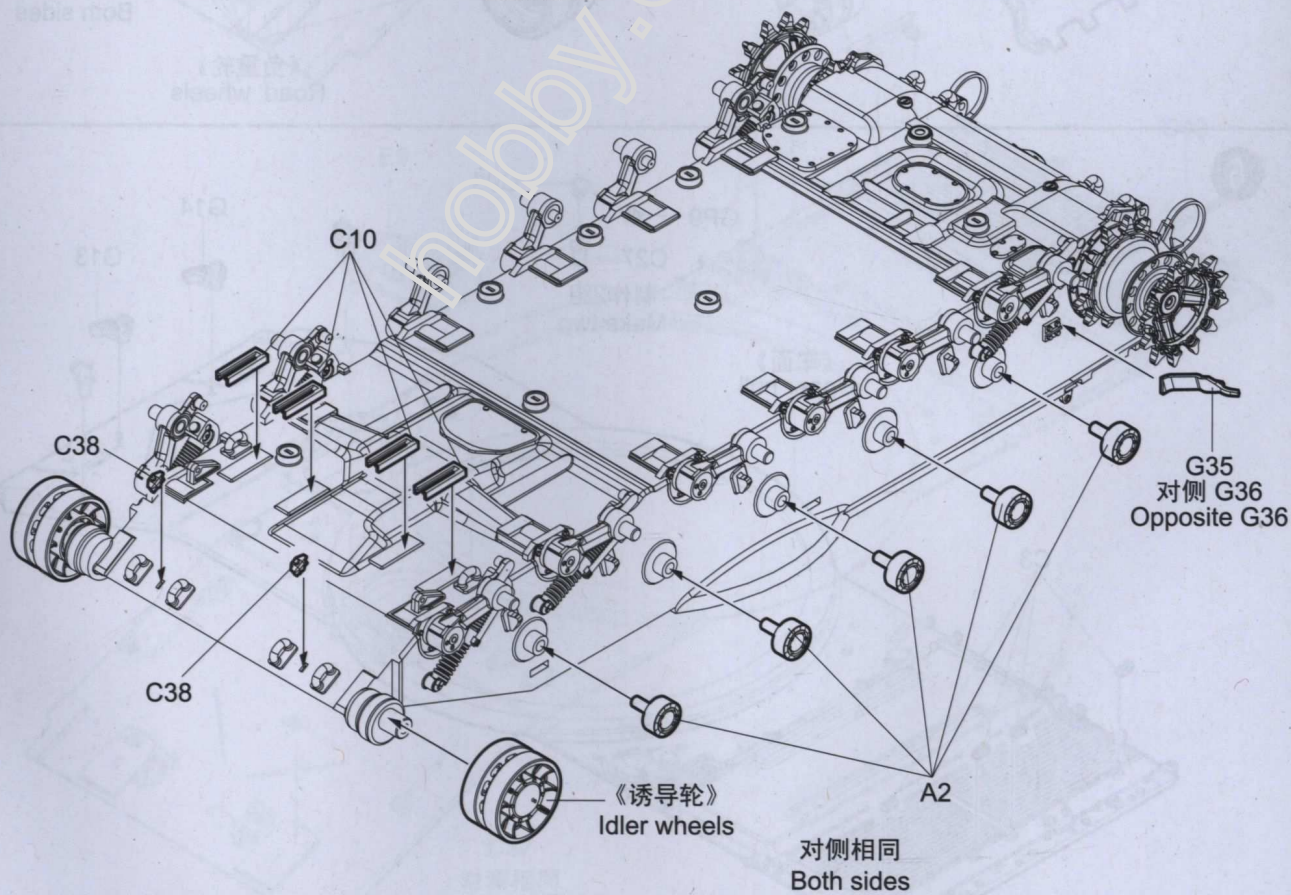
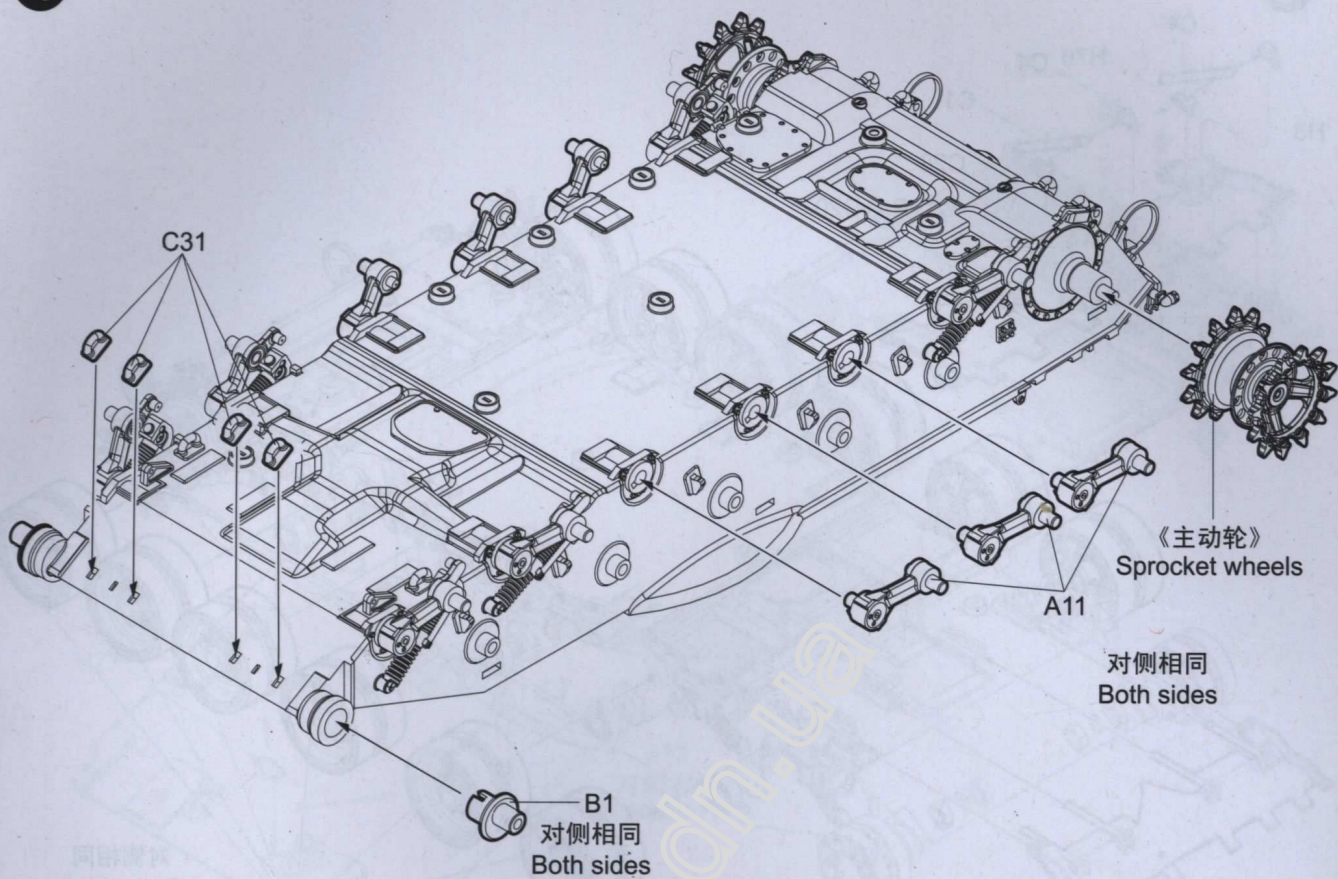


3

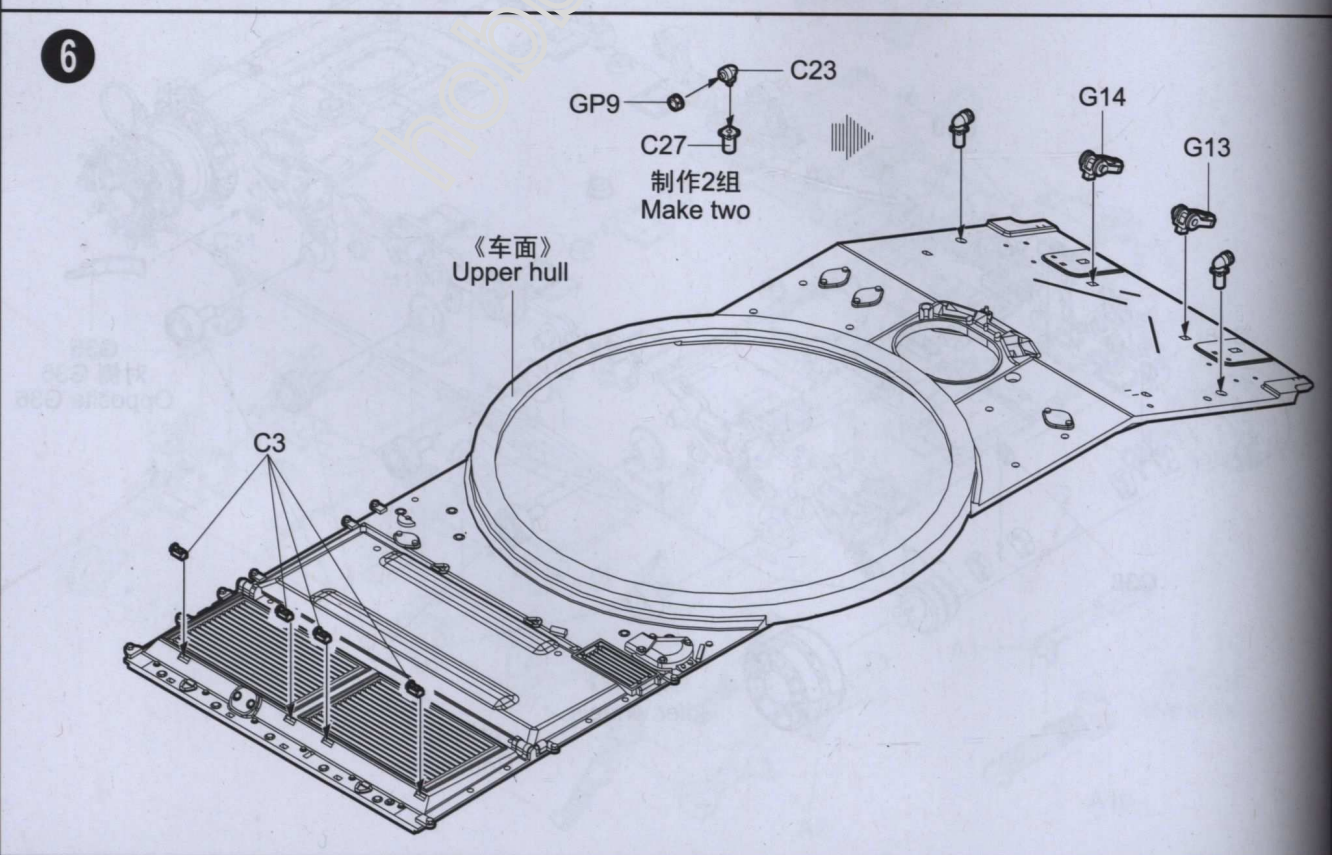
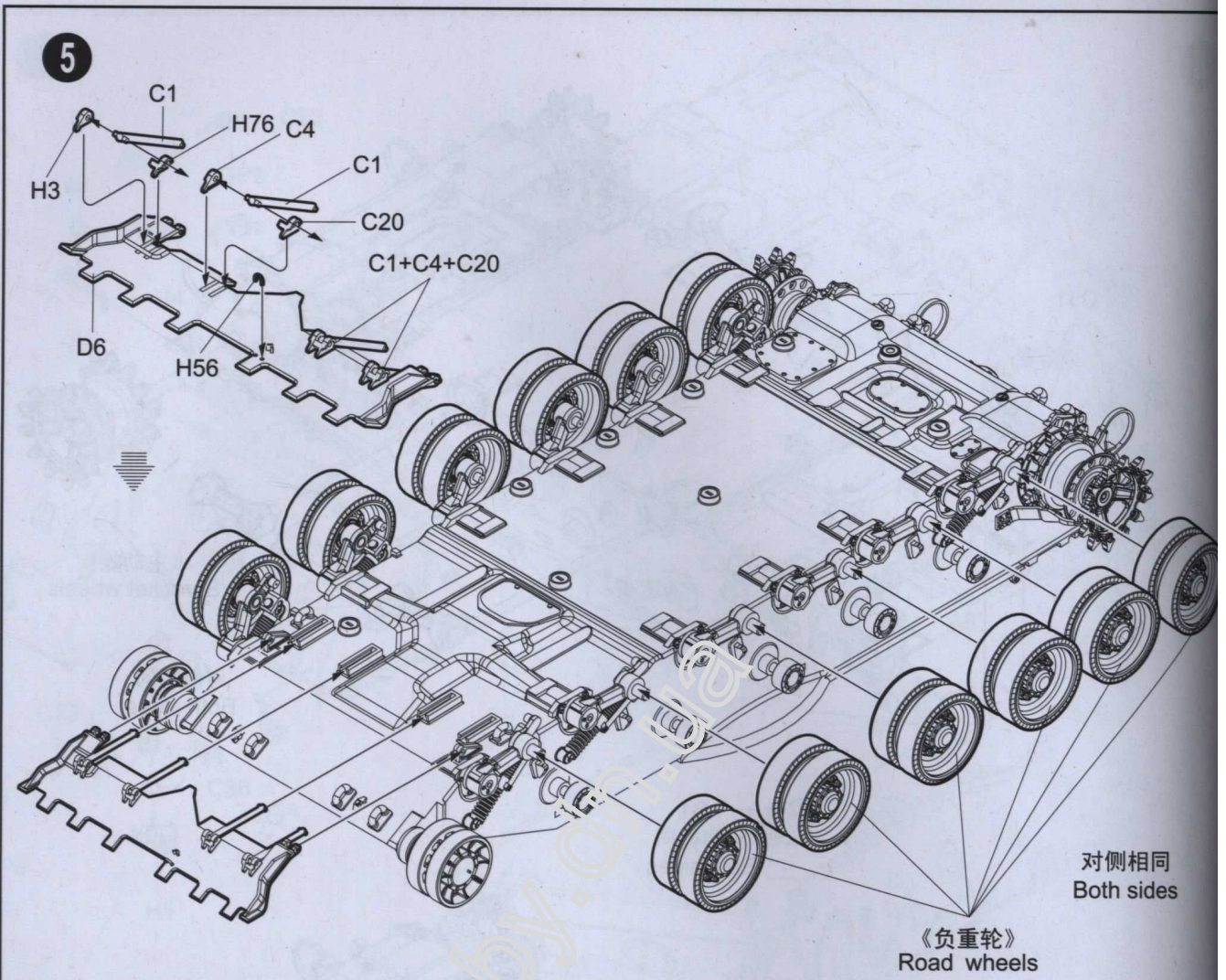




4

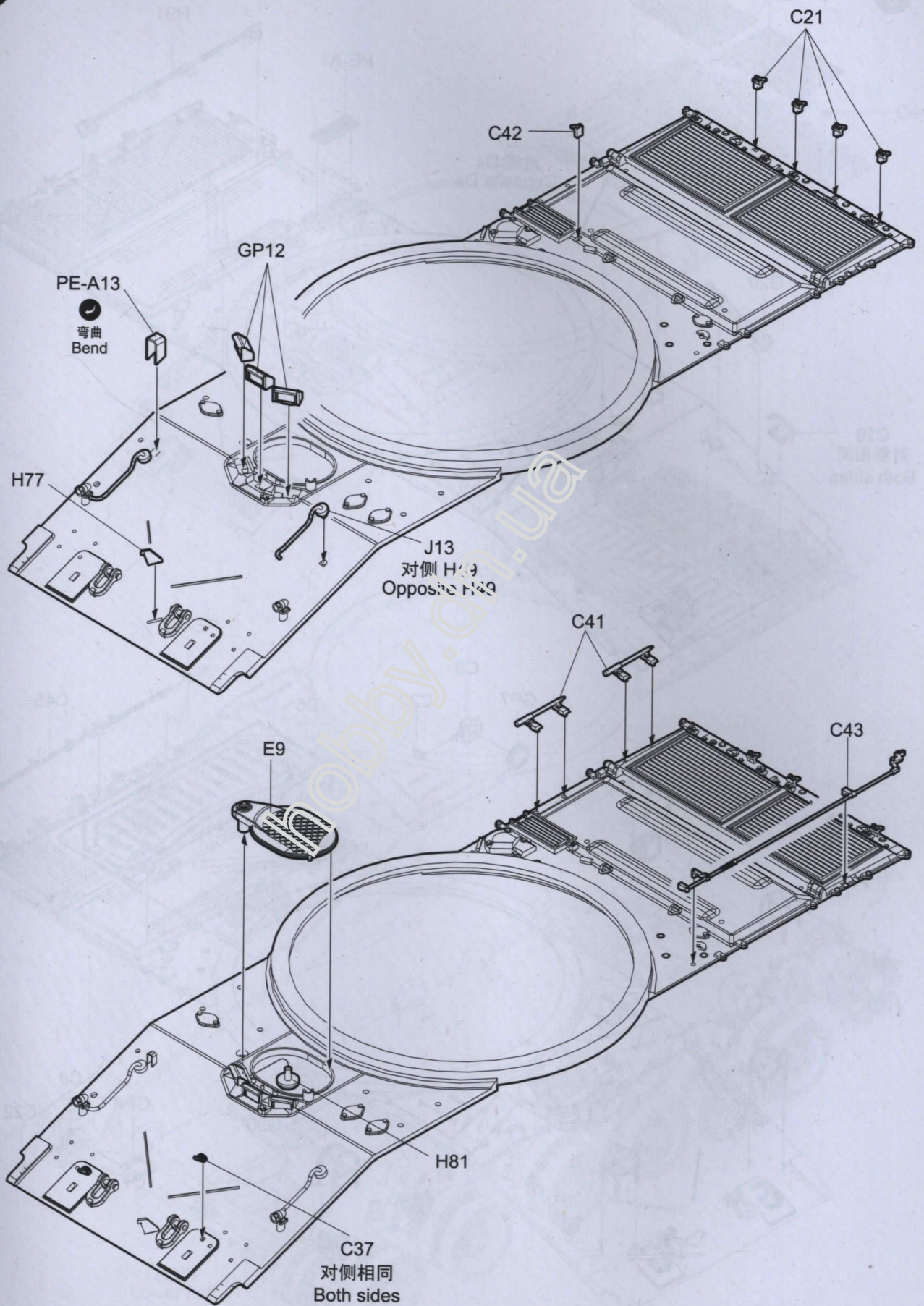






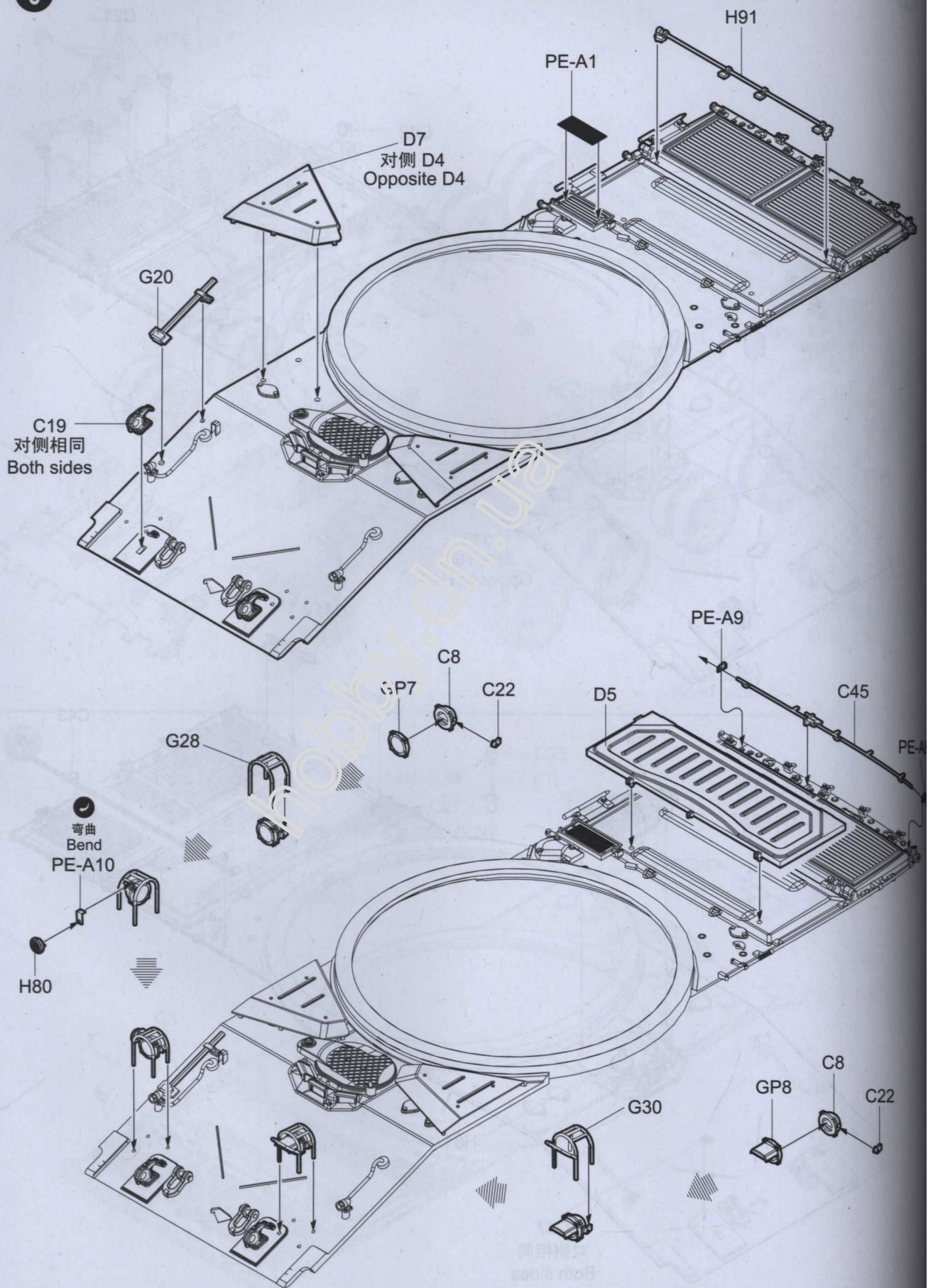


7



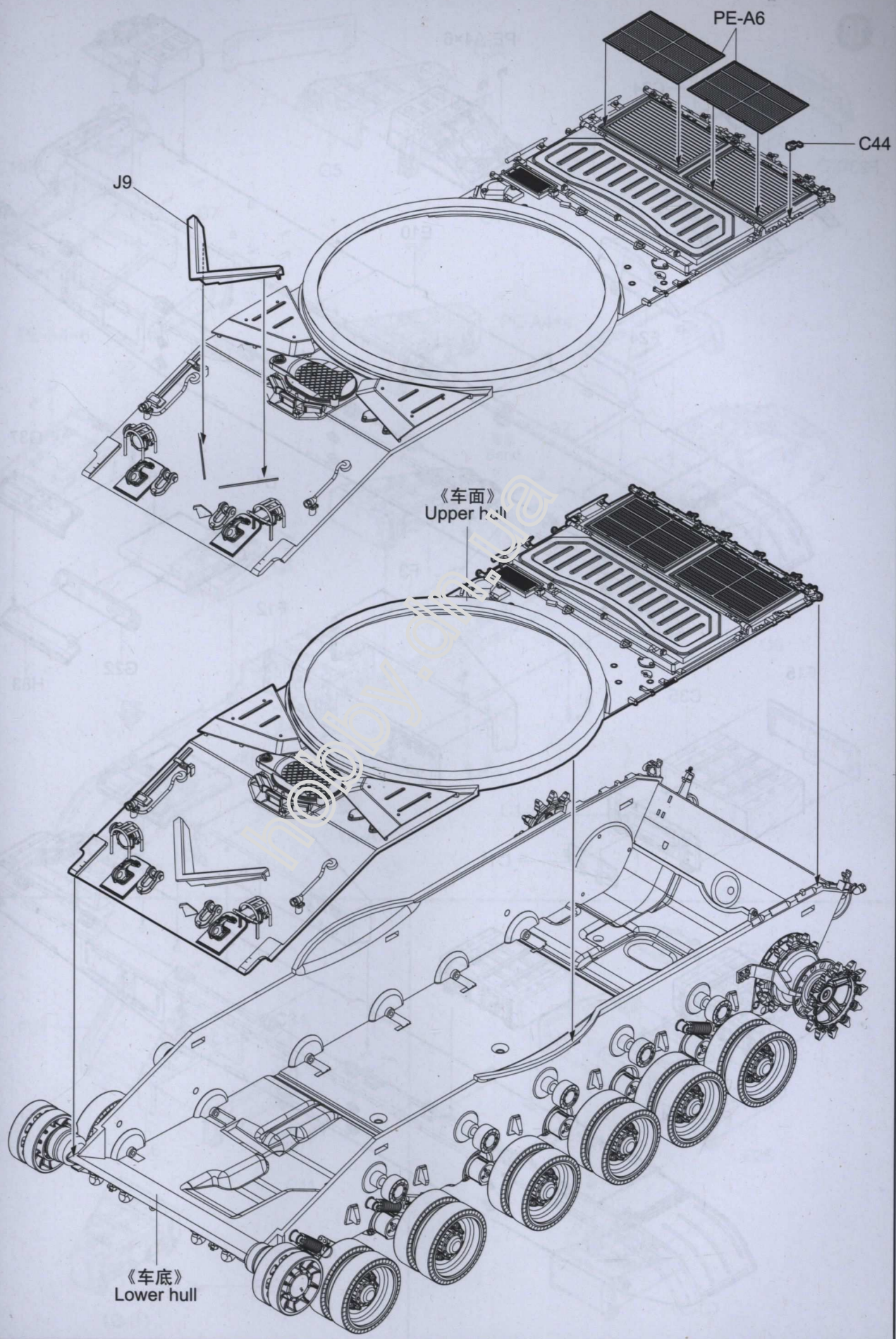


8



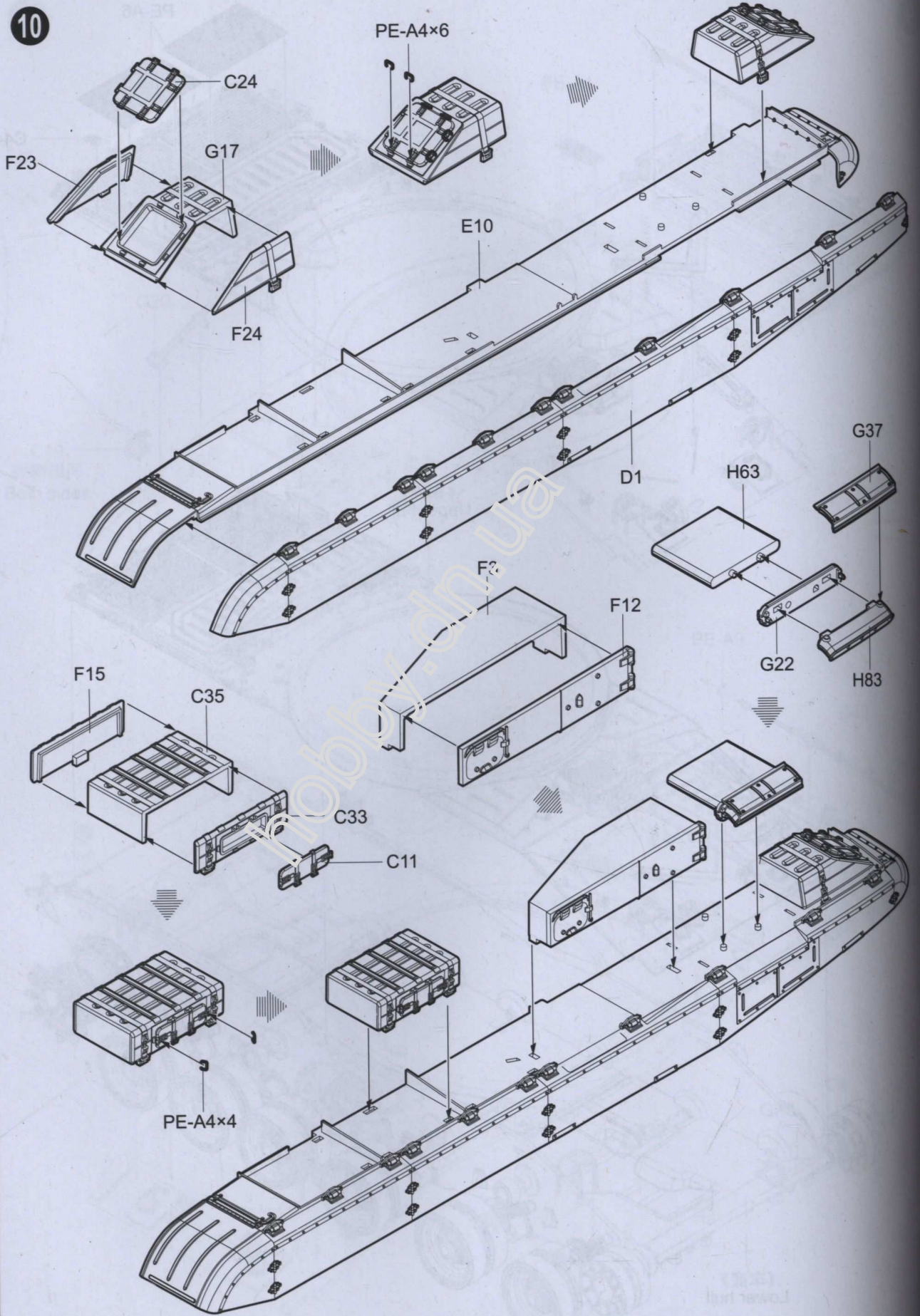


9



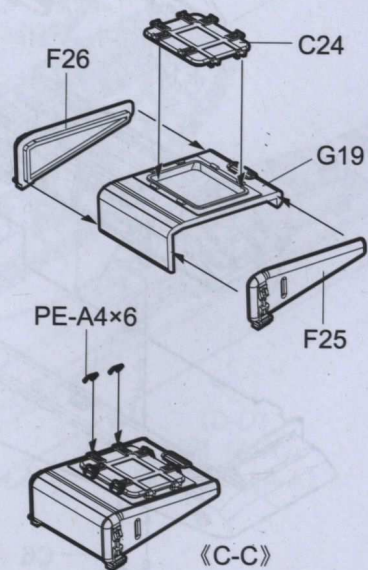
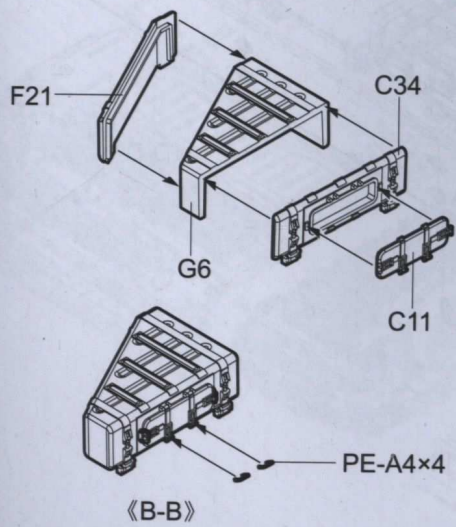
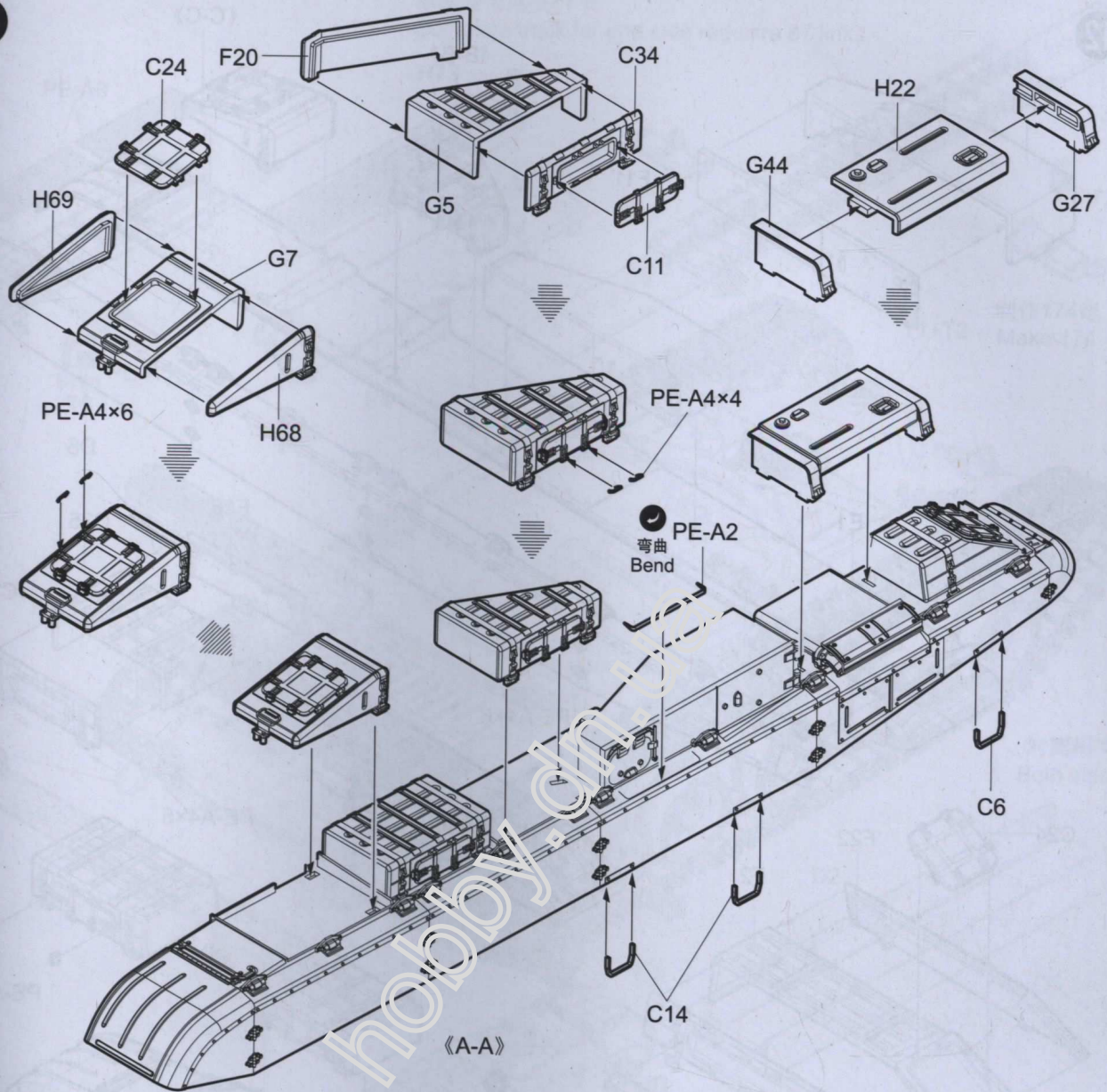


10



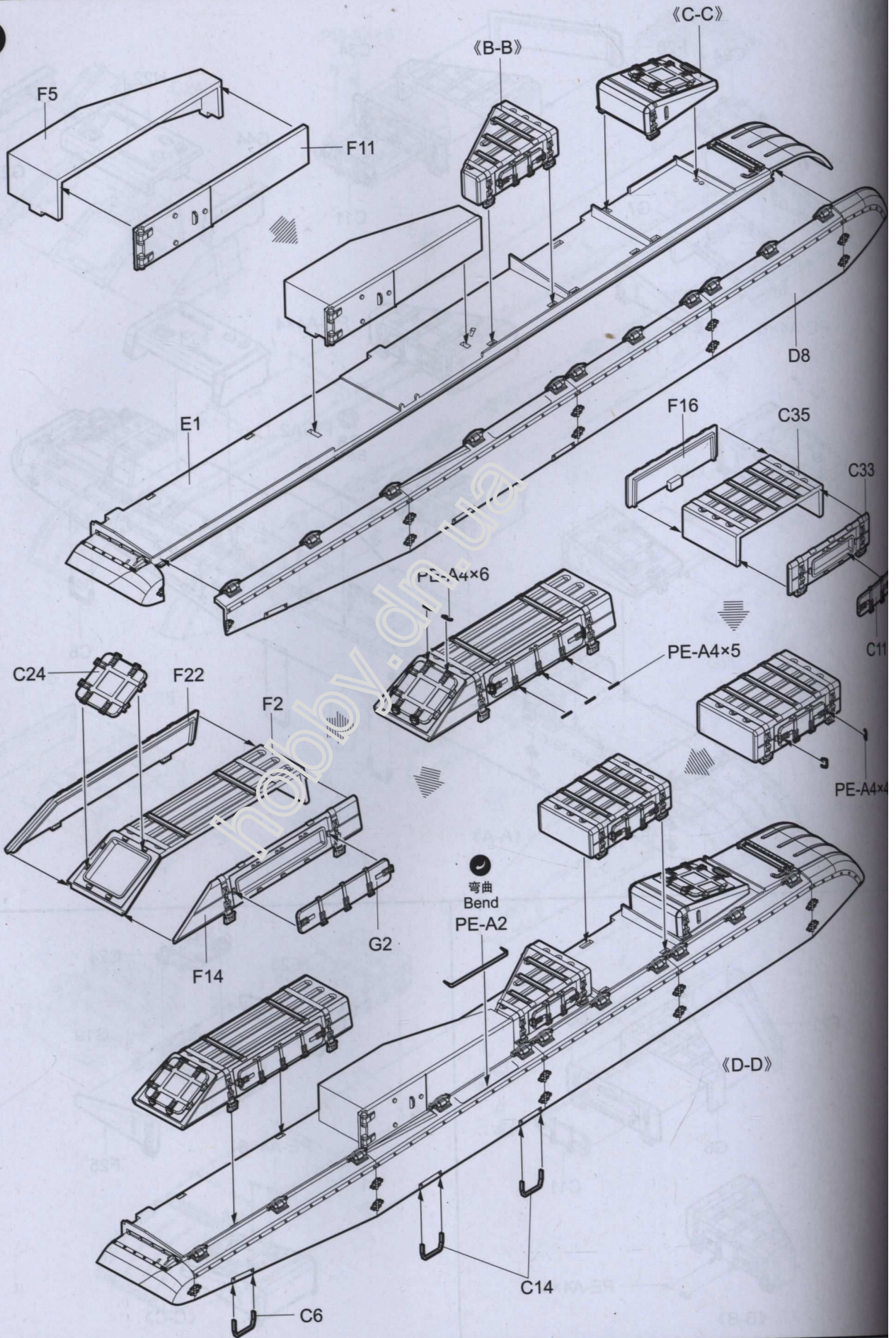


11





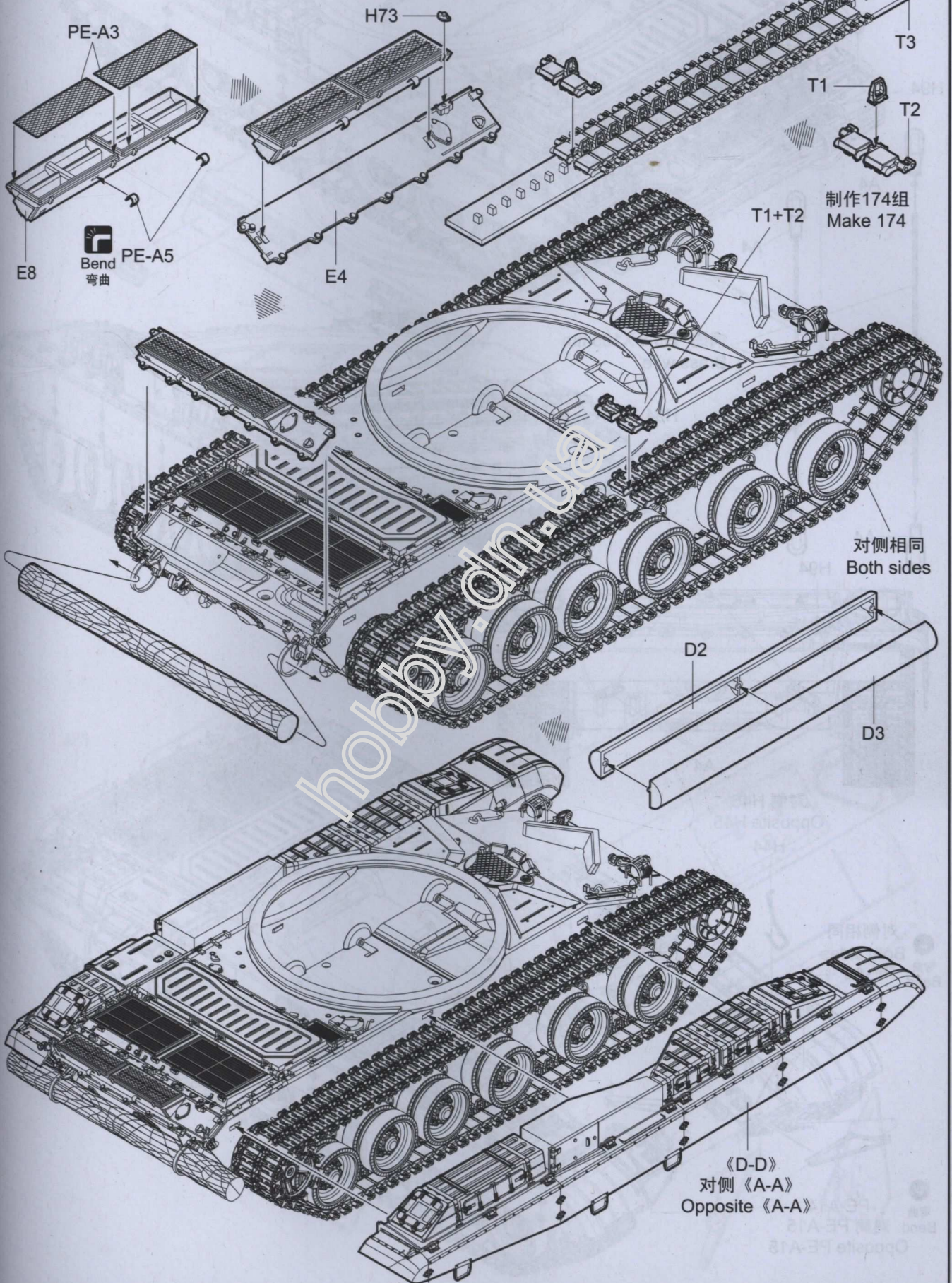
12





13

单侧履带需要87节  
Complete track for one side require 87 links.





14 对侧相同  
Both sides  
C13

H94



A4



A4



H94

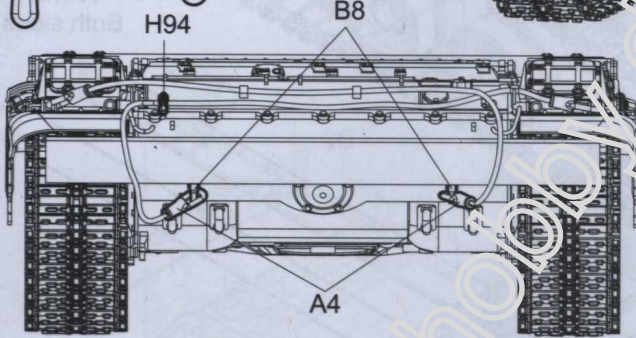
铜缆 Ø0.8 X105mm  
Brass wire



A4



A4



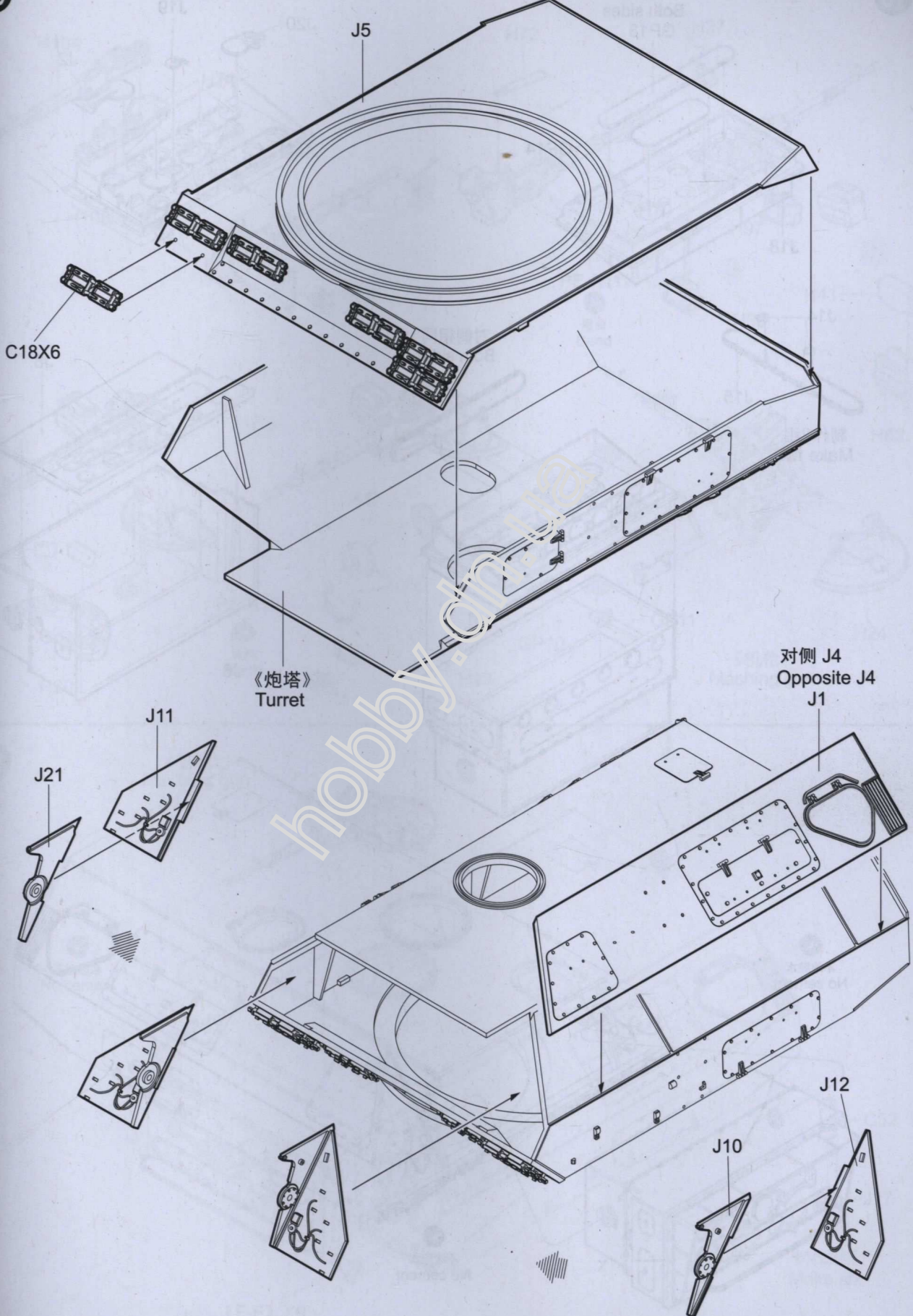
对侧 H45  
Opposite H45  
H44

对侧相同  
Both sides  
弯曲  
Bend  
PE-A8

弯曲  
Bend  
PE-A14  
对侧 PE-A15  
Opposite PE-A15



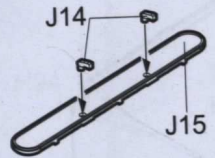
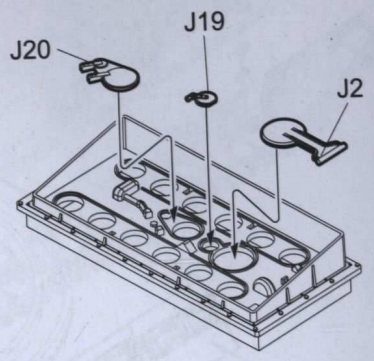
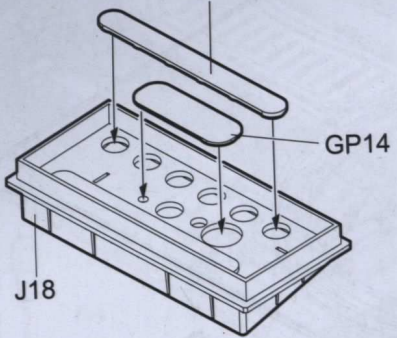
15





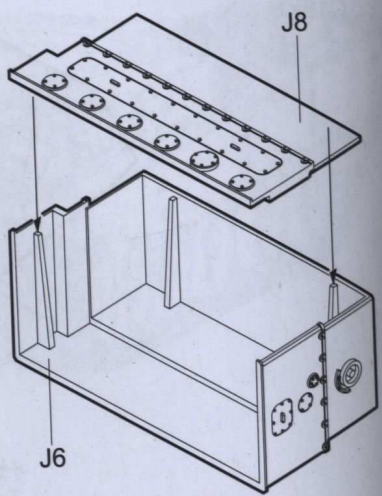
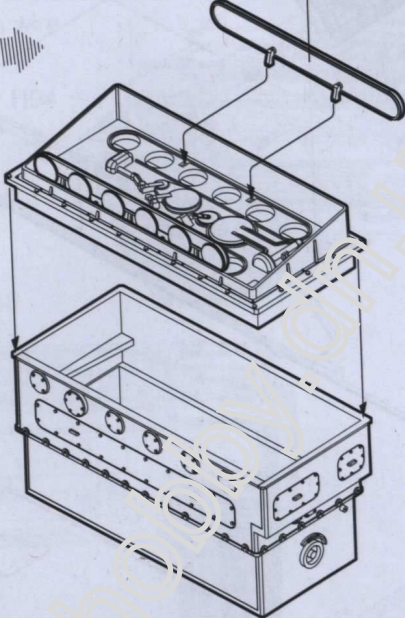
16

对侧相同  
Both sides  
GP13

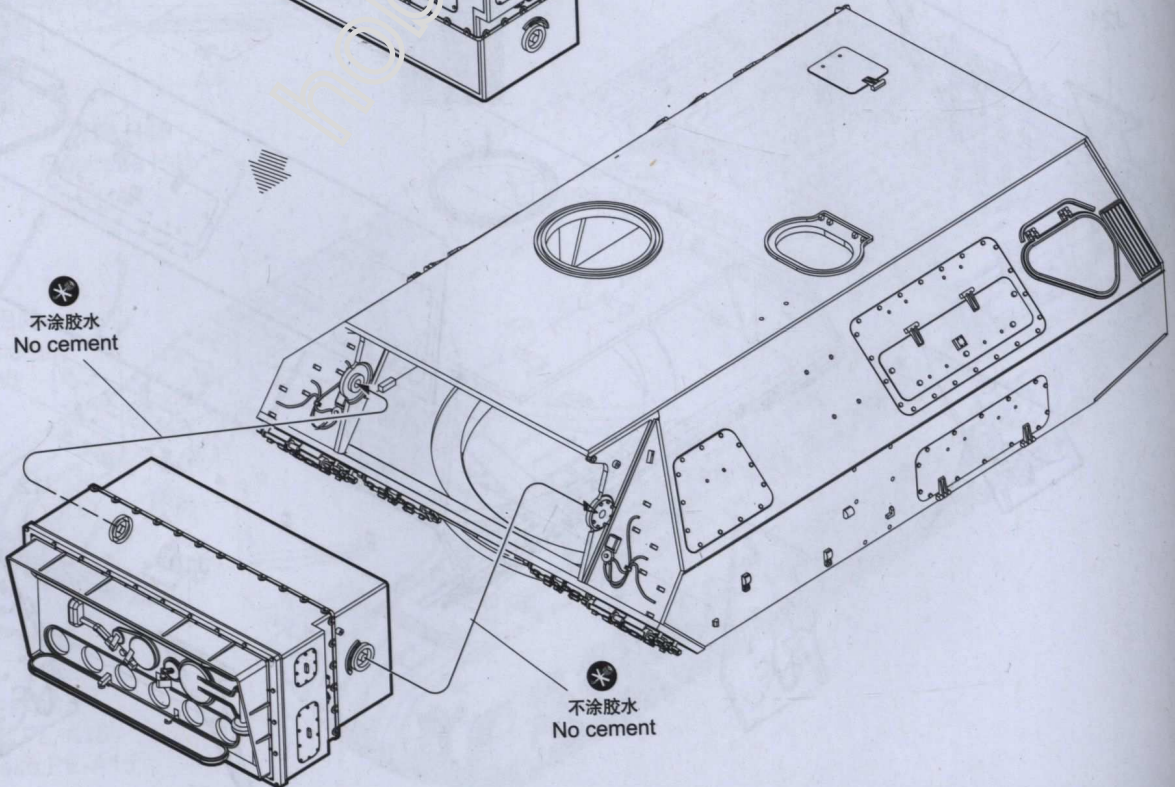


制作2组  
Make two

对侧相同  
Both sides



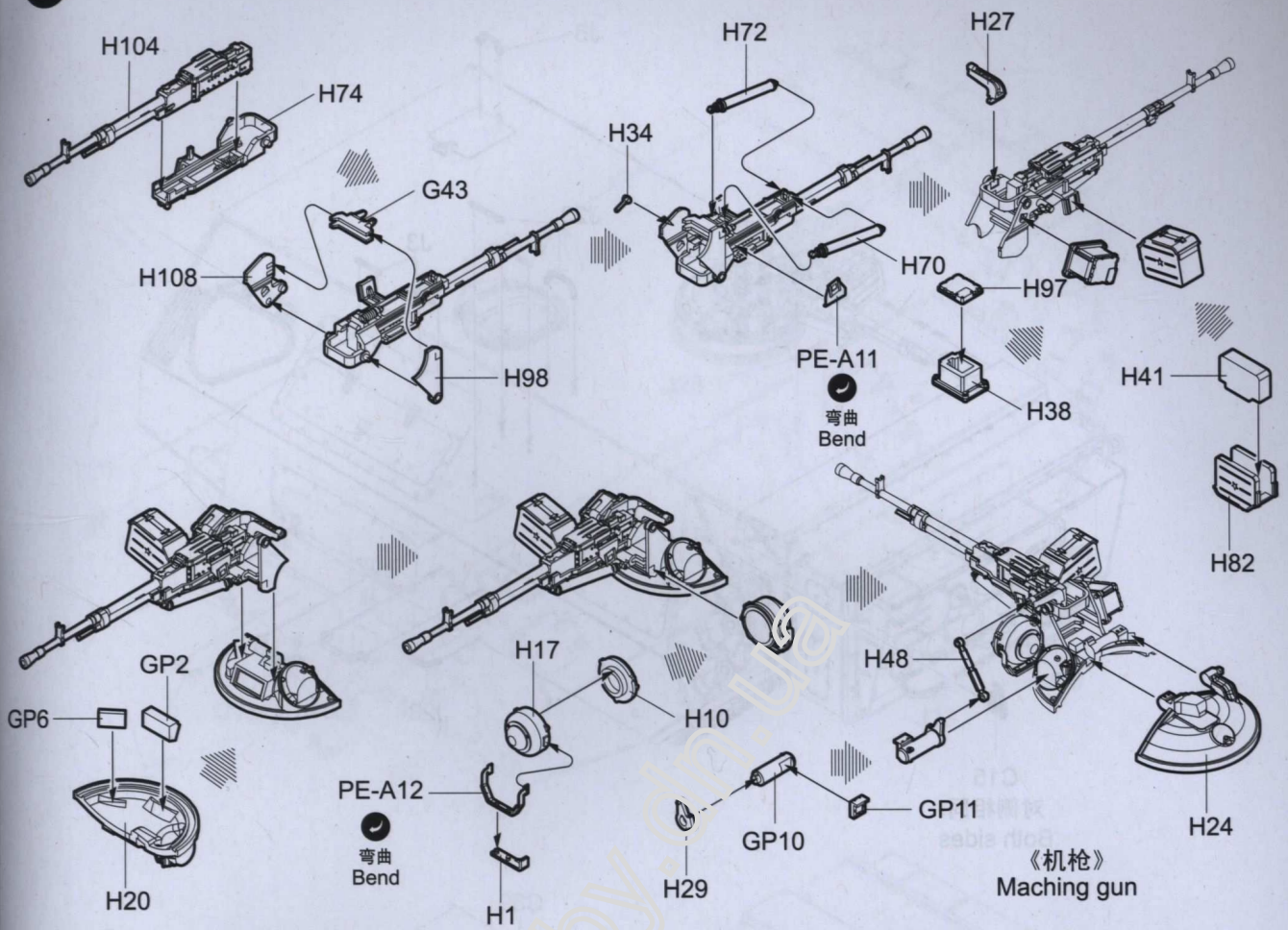
\* 不涂胶水  
No cement



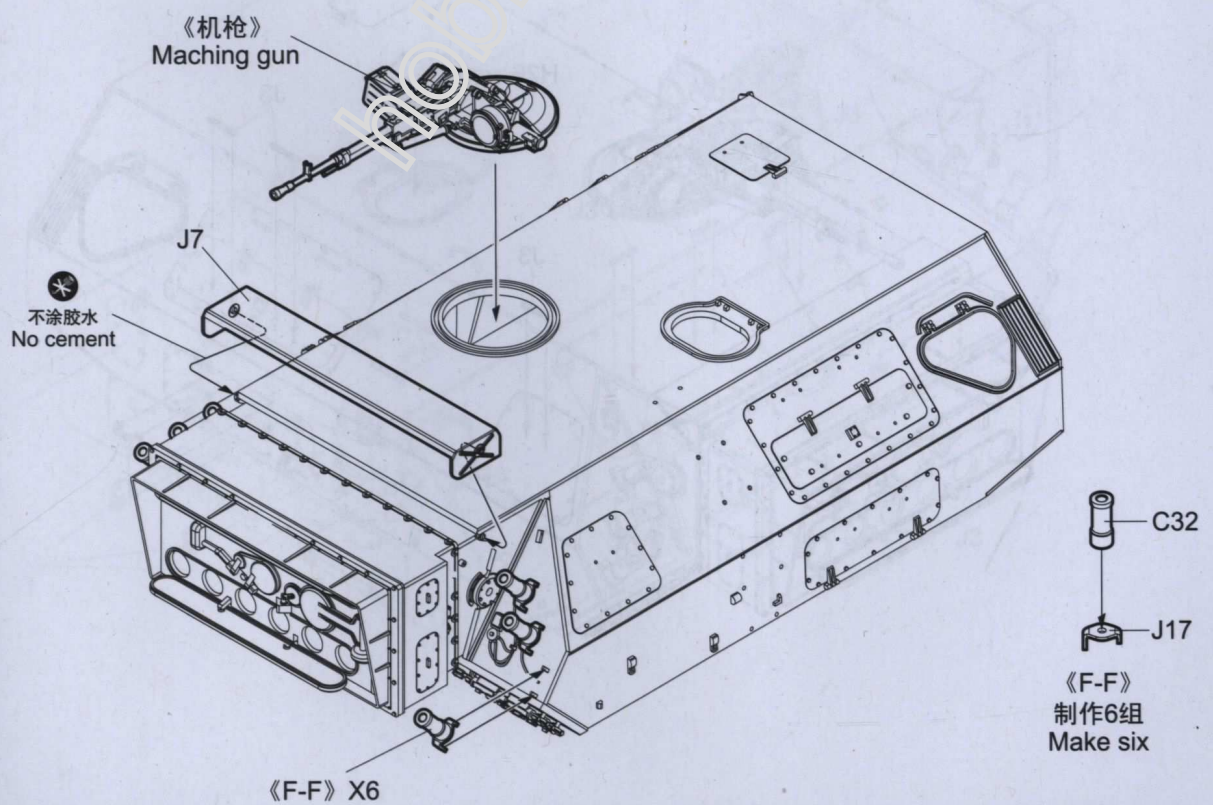
\* 不涂胶水  
No cement



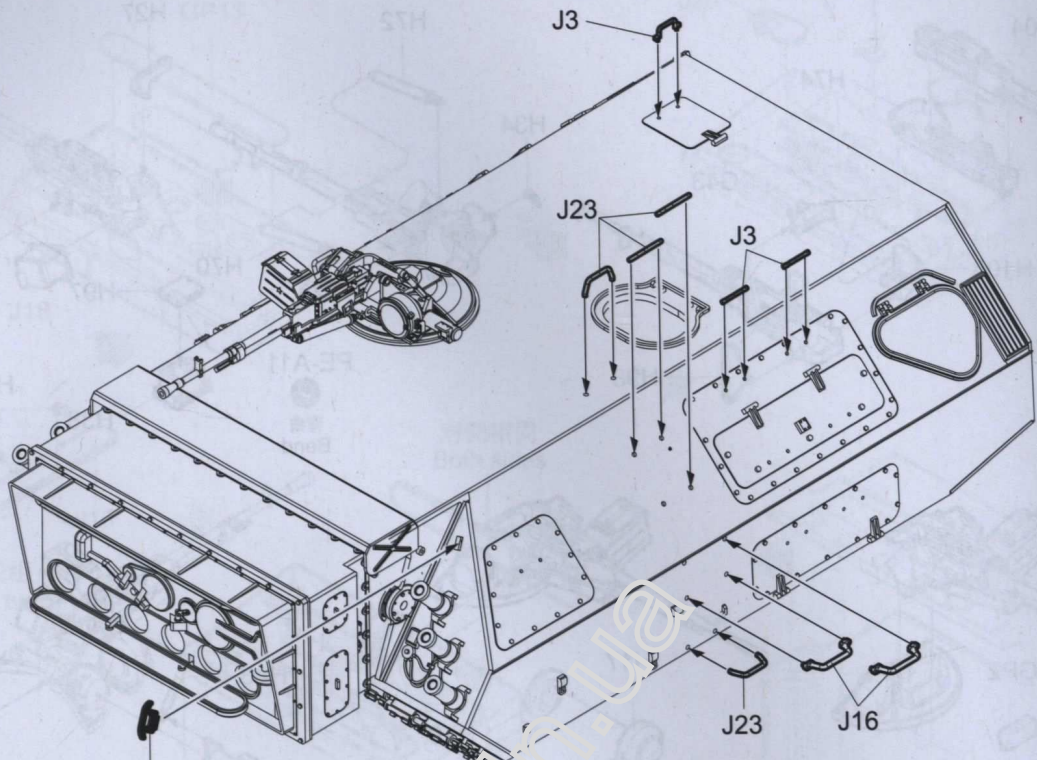
17



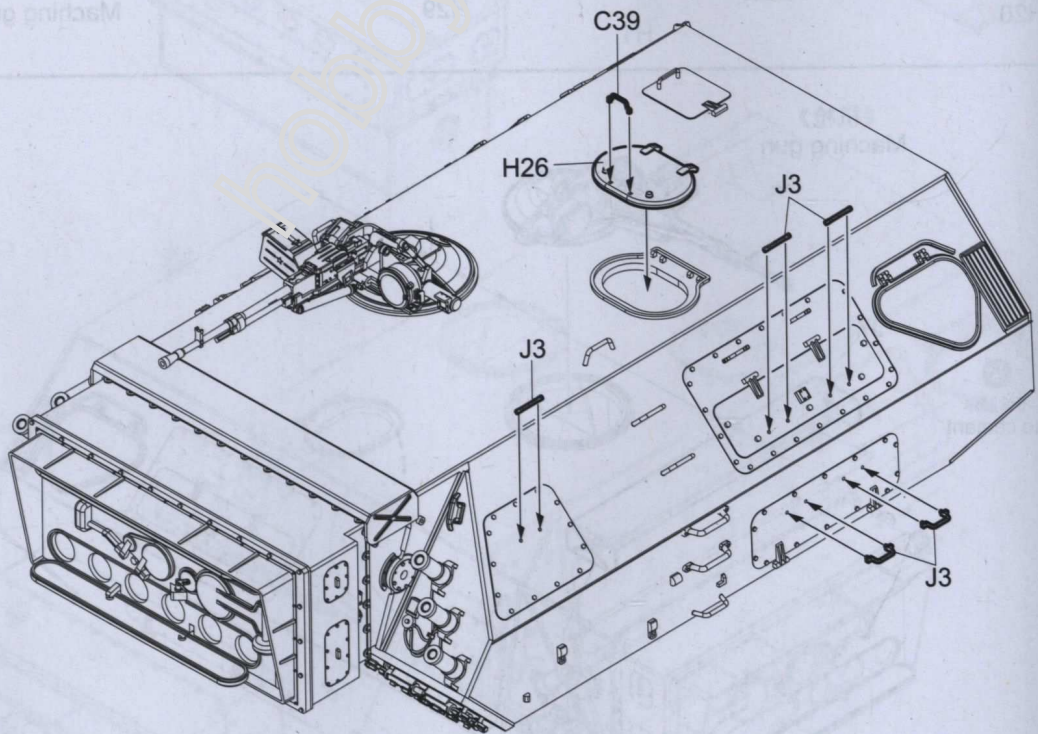
18



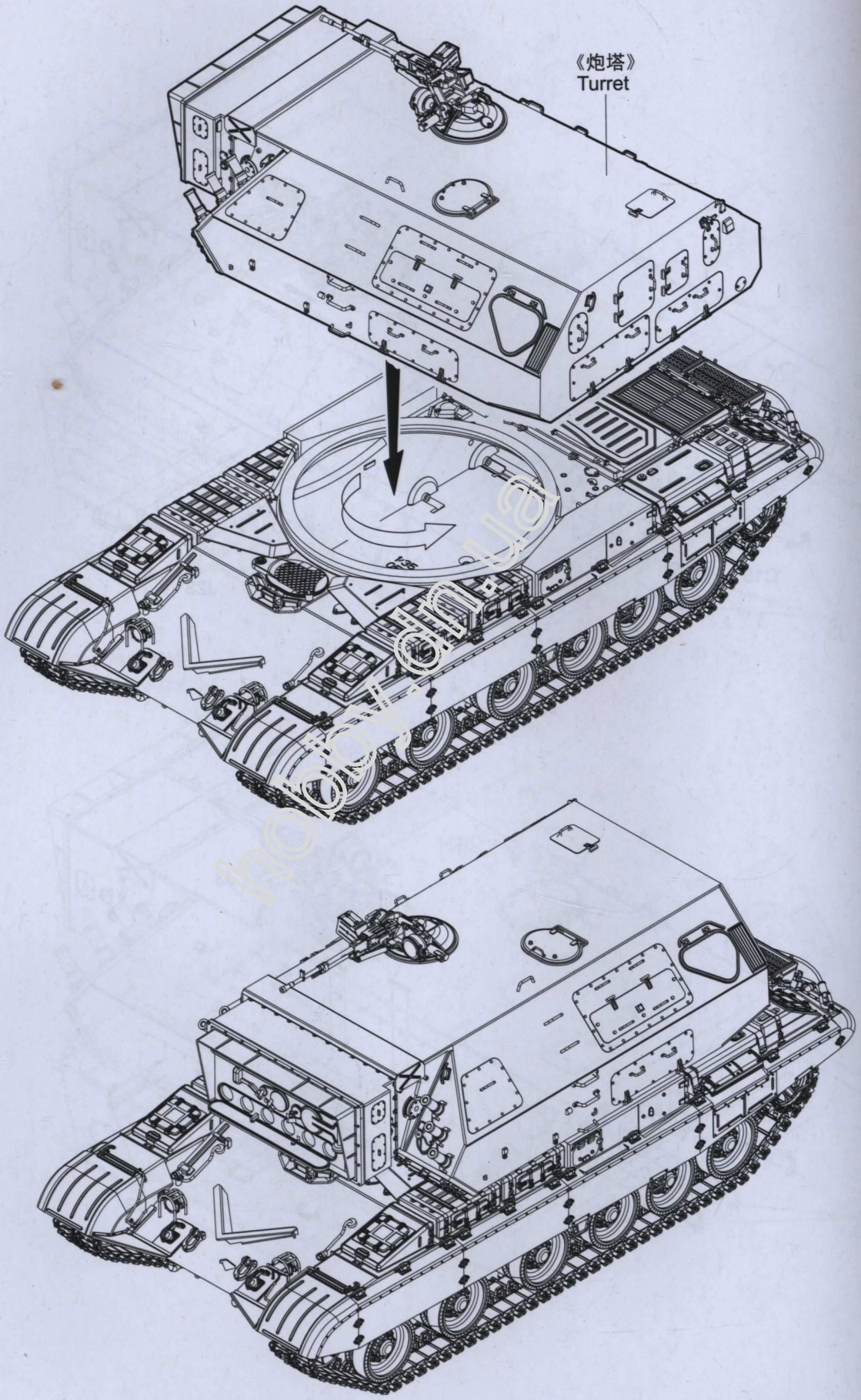




C15  
对侧相同  
Both sides



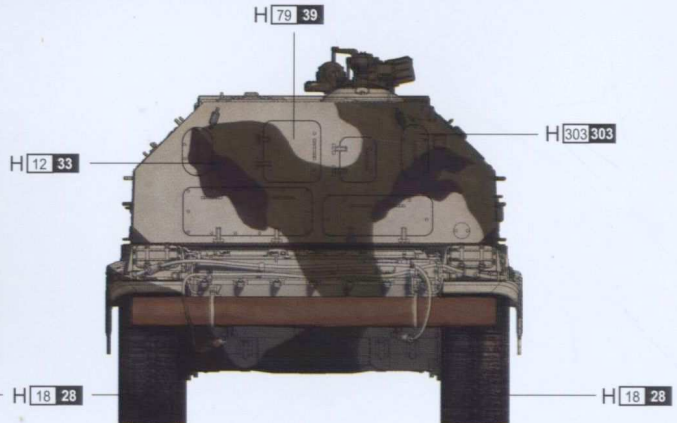
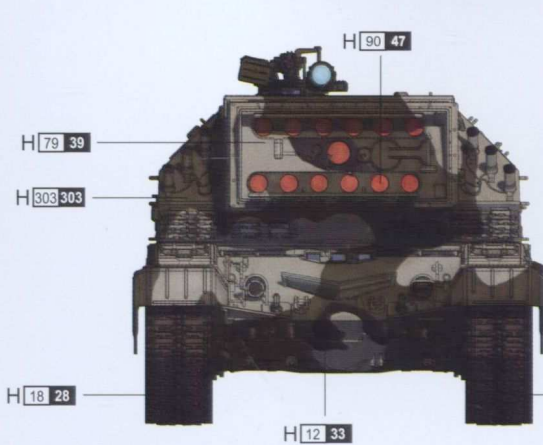
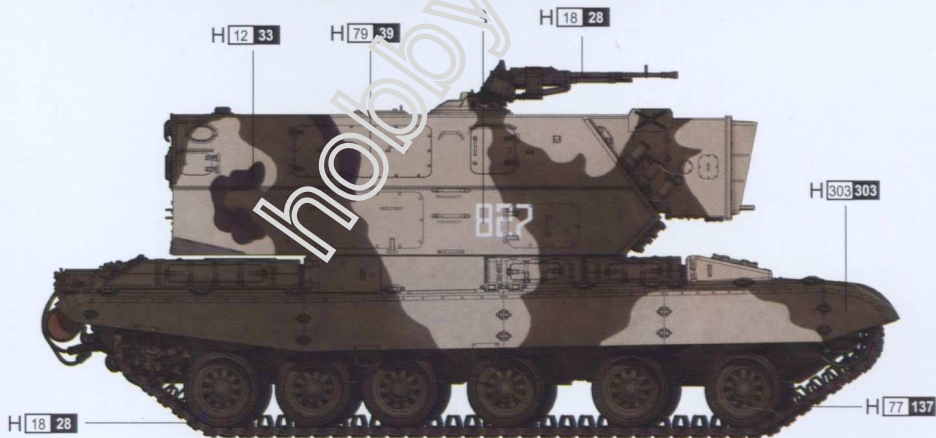






# Painting & Marking guide

綠色	H 303 303	-	1713	XF20	117
Sandy Brown 砂黃色	H 79 39	842	-	XF59	93
Tire Black 胎黑色	H 77 137	-	-	-	-
Metal Black 黑鐵色	H 18 28	864	1402	-	-
Flat Black 啞光黑	H 12 33	950	1749	XF1	33
Clear Red 透明紅	H 90 47	934	-	XF27	-



H  AQUEOUS HOBBY COLOR    ■ Mr. COLOR