

1:700 SCALE

ITEM NO.:05772



# USS West Virginia BB-48 1945

## 美国海军西弗吉尼亚号BB-48 1945战列舰

### READ BEFORE ASSEMBLY:

- Study and understand these instructions thoroughly before beginning assembly
- When needed, remove photo-etch parts carefully using a modeling knife or photo etch sprue cutter, being careful not to damage or lose small parts.
- Take extra care in handling photo etch parts in order to avoid injury
- Apply instant cement sparingly to photo etch parts where instructed
- Tools recommended(not included in kit):Plastic and instant cements, sprue cutters,long nose pliers,modeling knife, small files, tweezers, pin vise & scissors. Soft cloth and sandpaper will also assist in construction
- Glue and paint are not included in the kit. Use plastic cement and hobby paints only. Color guide for purchasing paint is included in the kit.

### 装配之前仔细阅读

- 小心用模型锉刀锉平所有零件表面的注射浇口。
- 小心用刀片切下蚀刻片零件，不要遗失小零件。
- 忌强力快干胶水粘合蚀刻片零件和金属轴。过量快干胶水使用可能导致可动零件会粘住，小心涂胶。
- 取蚀刻片时应特别注意安全，防止利边划伤手指。
- 某些零件表面需贴上水贴纸，请选择在装配的同时进行。
- 推荐模型工具(自备)：胶水，水口剪刀，长咀钳，刀片，锉刀，镊子，钳，钻，剪刀，瞬间快干胶。
- 软布同砂纸同时也应该是必备工具。
- 请使用塑料胶水和油漆，模型内不含。



配重  
Weight



使用强力胶  
Cyanacrylate glue



钻孔  
Make hole



切除  
Cut / Remove



贴纸  
Decal



锉平  
File / Sand



选择  
Option



不涂胶水  
No cement



弯曲  
Bend

### 水贴纸的使用:

- 1.从水贴纸上剪下印花;
- 2.将印花放入温水中浸10秒, 然后放在干净布上。
- 3.拿着印花纸板将印花移到模型上;
- 4.手指蘸水将印花移到适当的位置;
- 5.用软布轻压印花直至水干, 气泡消失

### DECAL APPLICATION

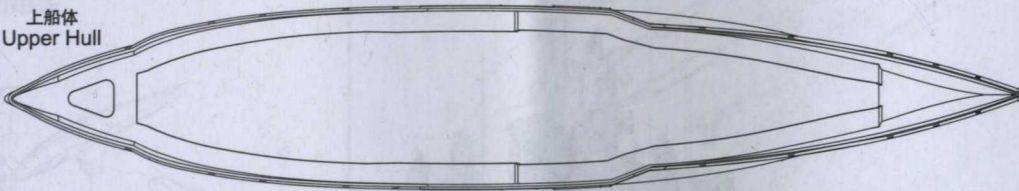
- 1.Cut decals from sheet as needed
- 2.Dip the decal in warm water for about 10 seconds and then place on soft clean cloth.
- 3.Hold the decal backing sheet edge and gently slide the decal onto the model in its proper position.
- 4.While still wet,decal can be adjusted for better fit on model by dampening it gently with your finger.
- 5.When placed in the proper position,gently press decal down with a soft cloth until excess water and air bubbles are gone.
- 6.Allow decal to dry completely before handling model

05772

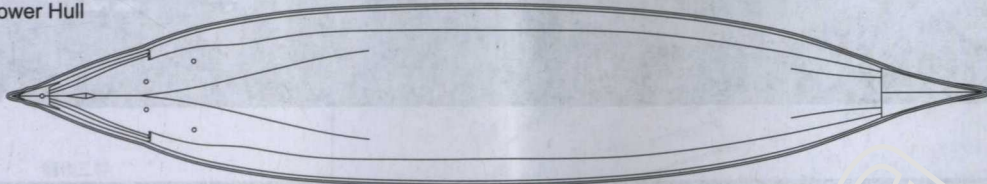
部品图

Parts

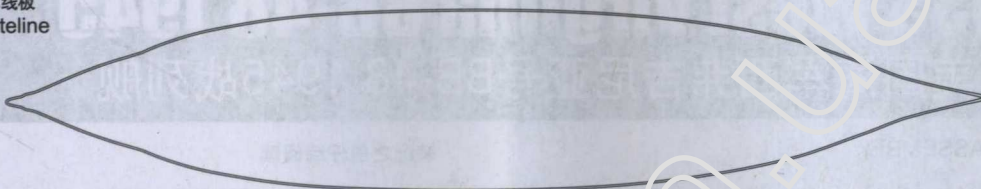
上船体  
Upper Hull



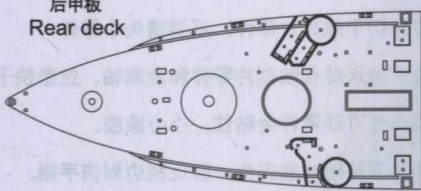
下船底  
Lower Hull



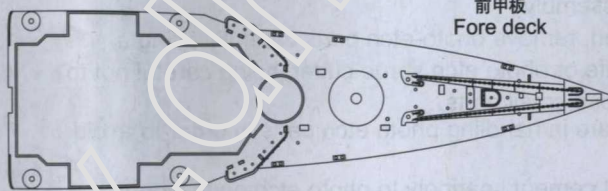
水线板  
Wateline



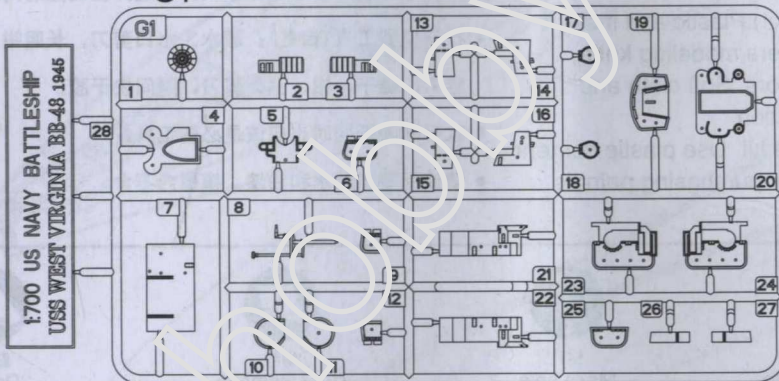
后甲板  
Rear deck



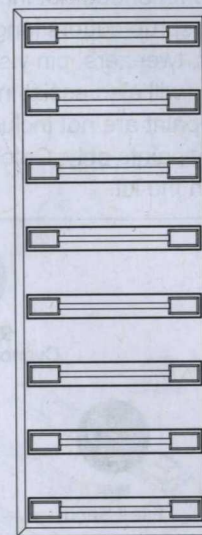
前甲板  
Fore deck



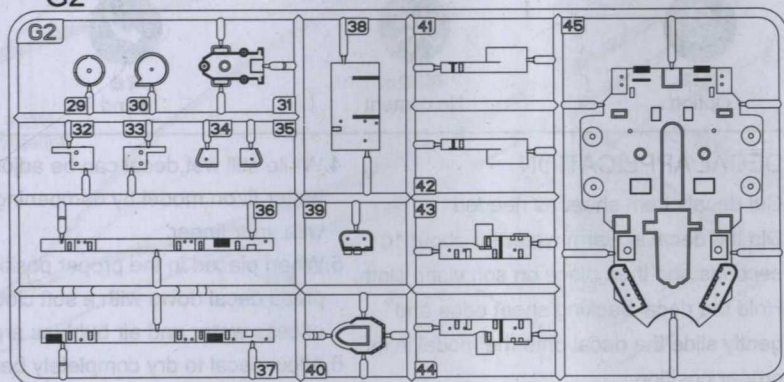
G1



底座  
Stand

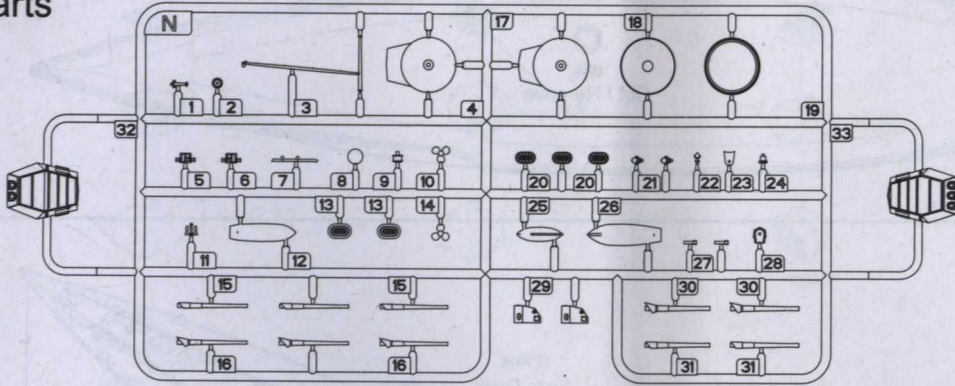


G2

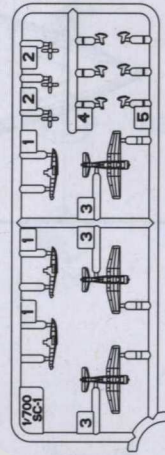


部品图  
Parts

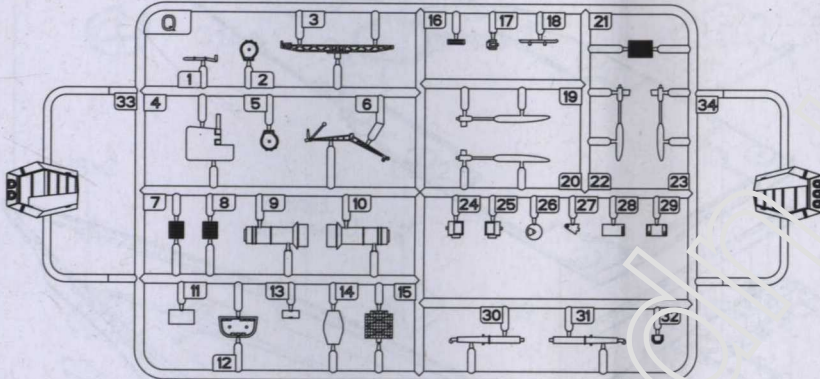
N×4



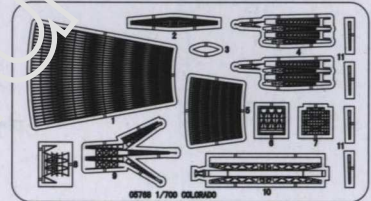
SC-1



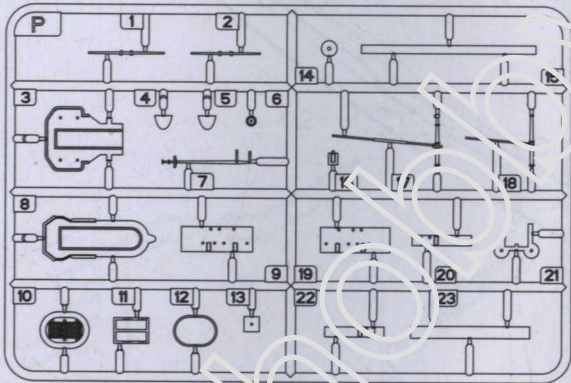
Q



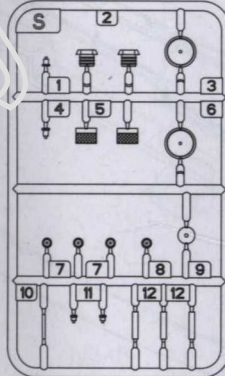
《蚀刻》  
Pl



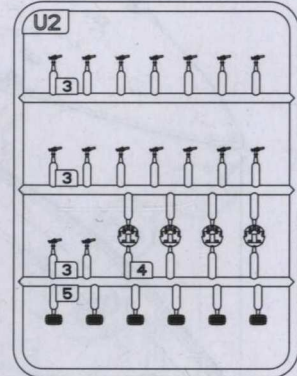
P



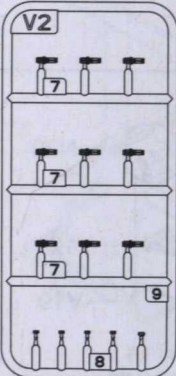
S×2



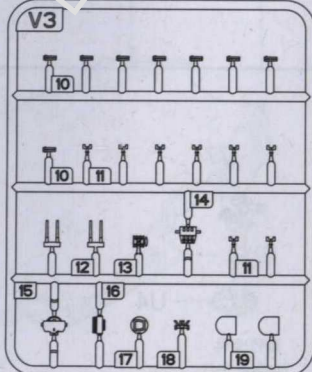
U2×4



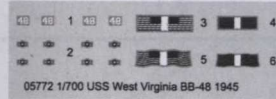
V2×4



V3×4



水貼  
Decal



1

上船体  
Upper Hull



2

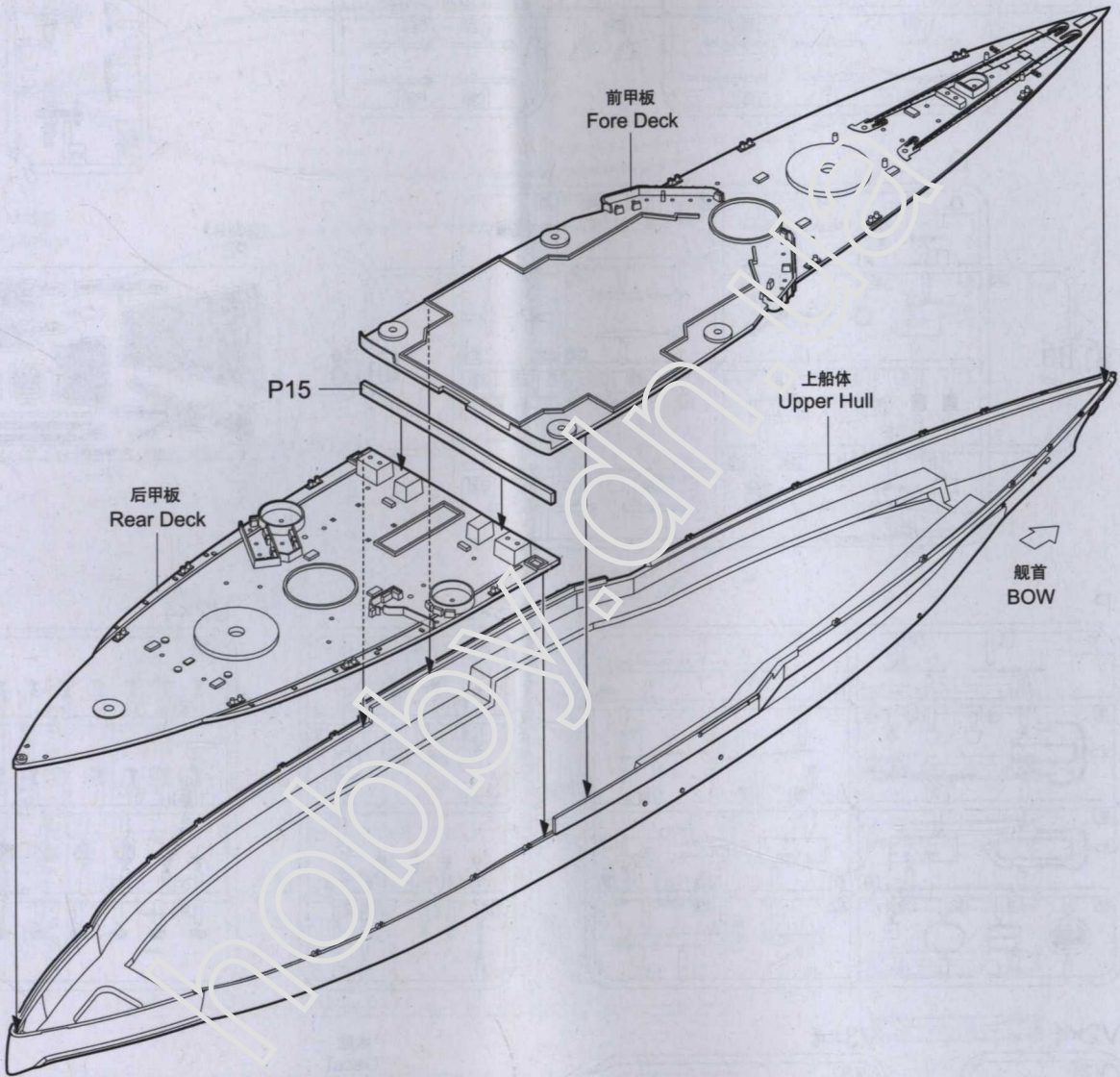
前甲板  
Fore Deck

P15

上船体  
Upper Hull

后甲板  
Rear Deck

舰首  
BOW



3

V10

V11

制作两件  
Make two

S5

S5



制作两件  
Make two

V7



U4

制作十件  
Make ten

N29

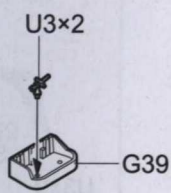
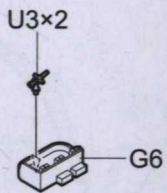
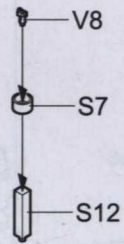
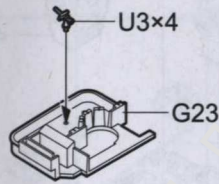
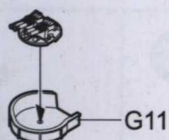
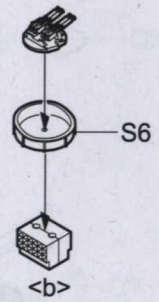
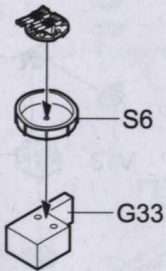
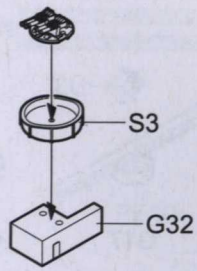


V12

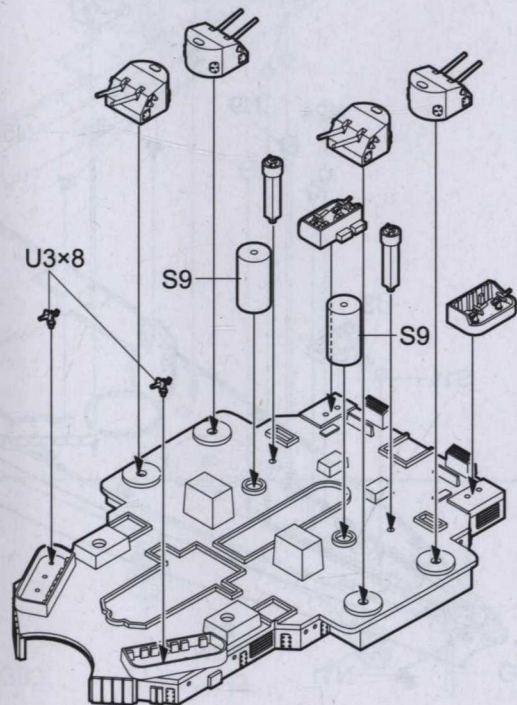
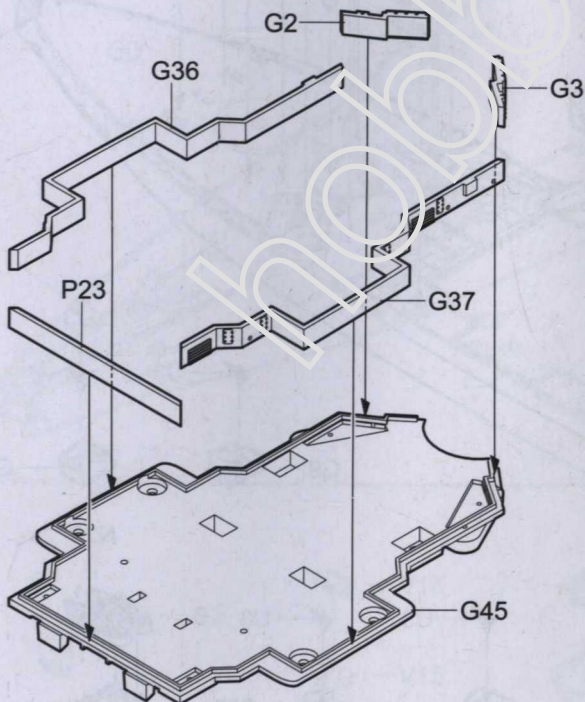
V19

制作八件  
Make eight

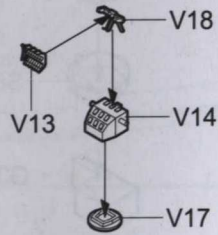
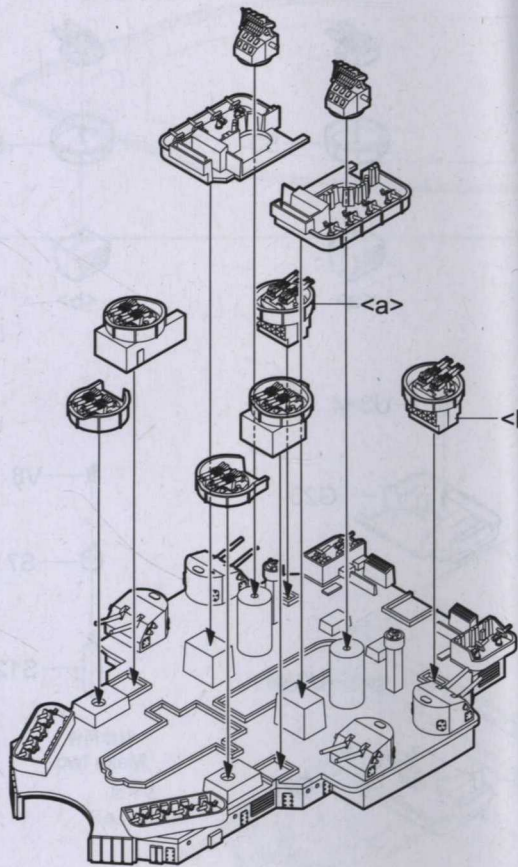
4



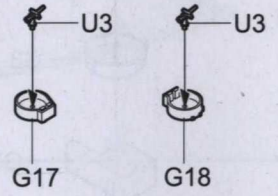
制作两件  
Make two



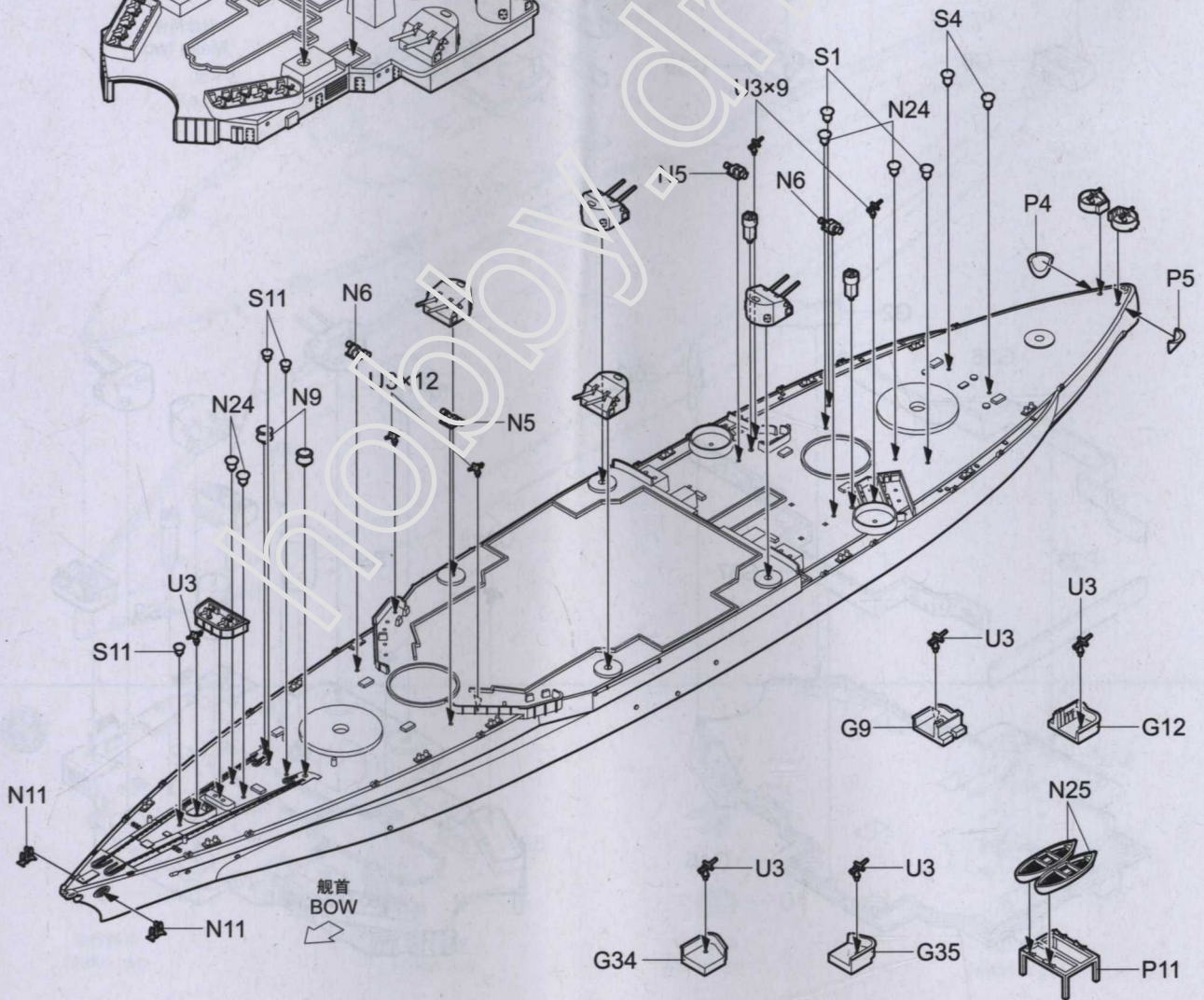
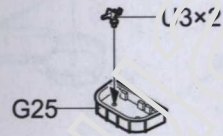
5



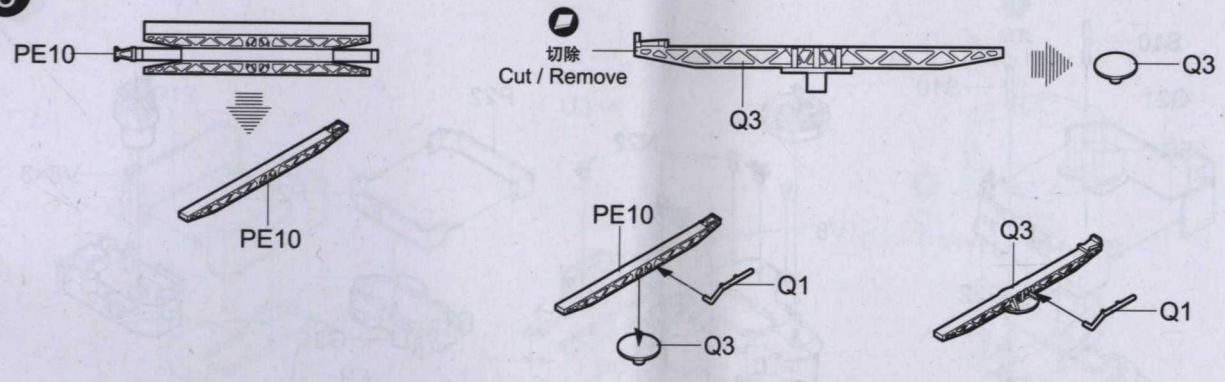
制作四件  
Make four



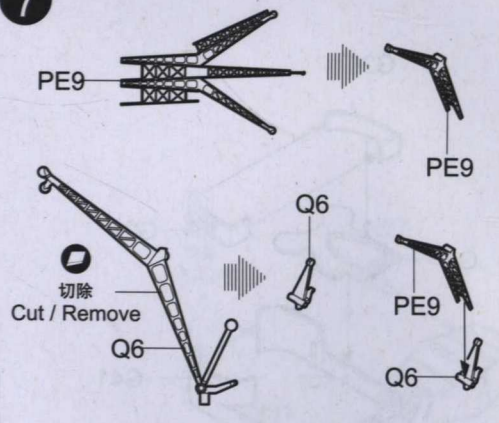
制作两件  
Make two



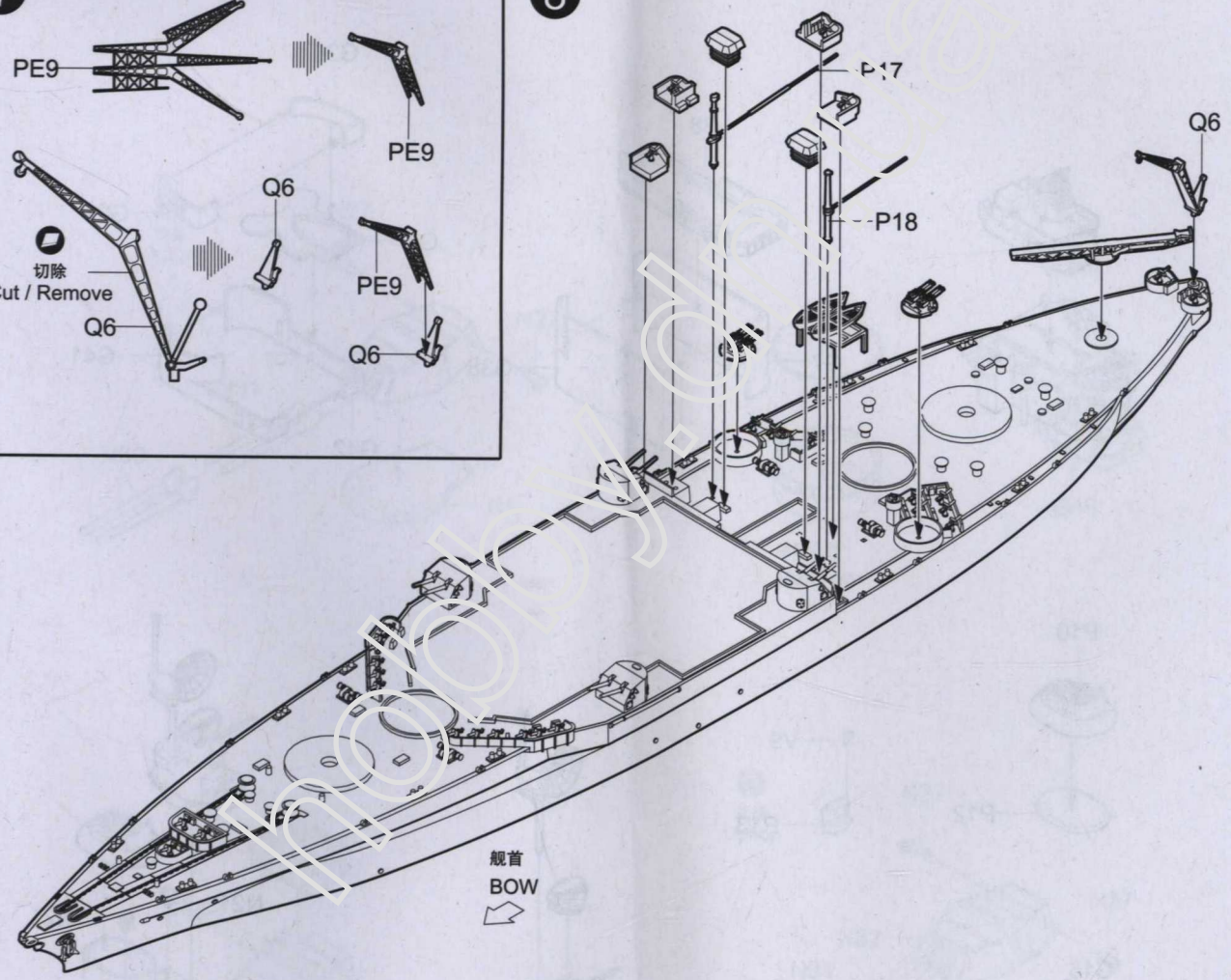
6



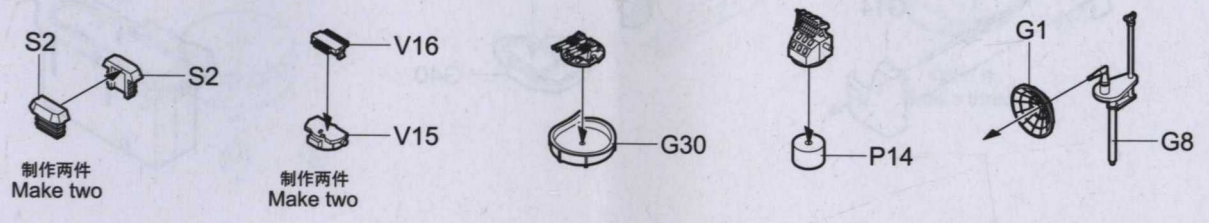
7



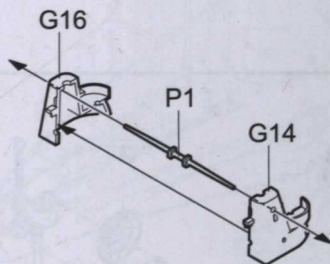
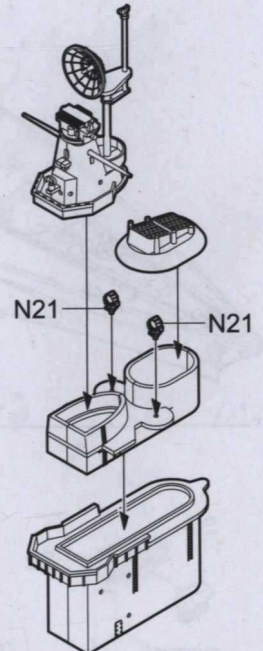
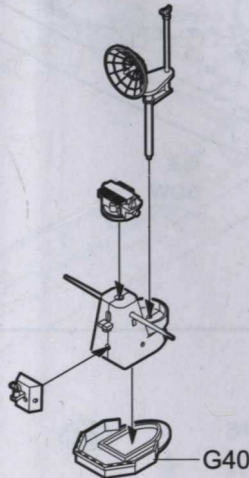
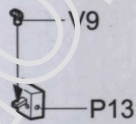
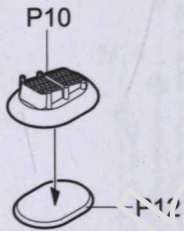
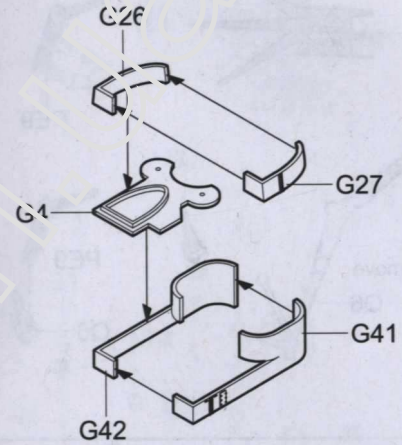
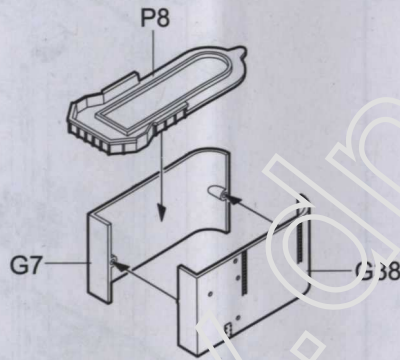
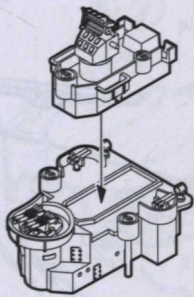
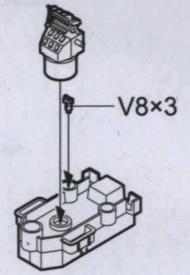
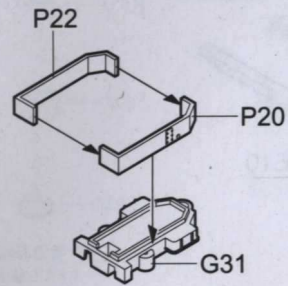
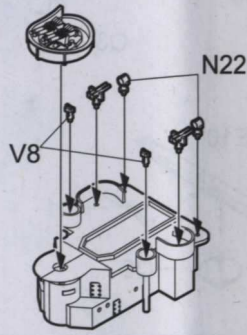
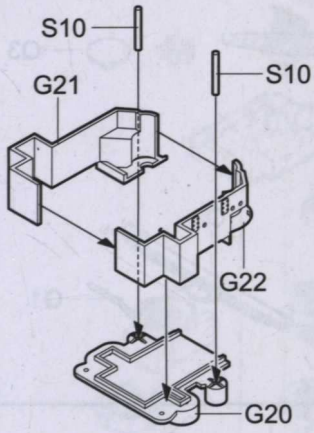
8



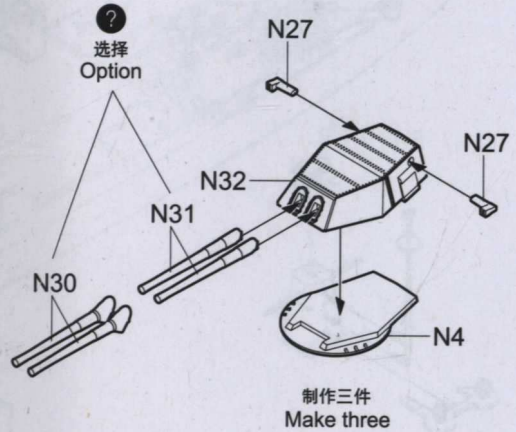
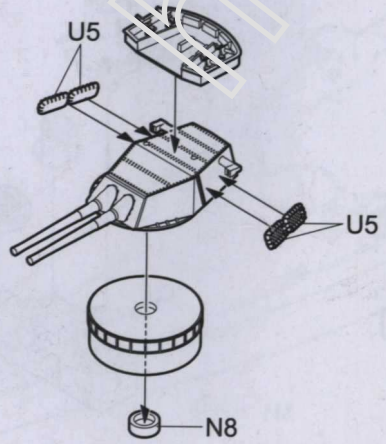
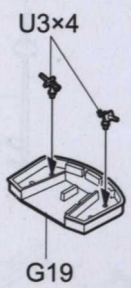
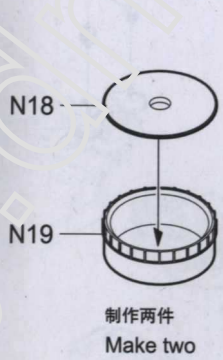
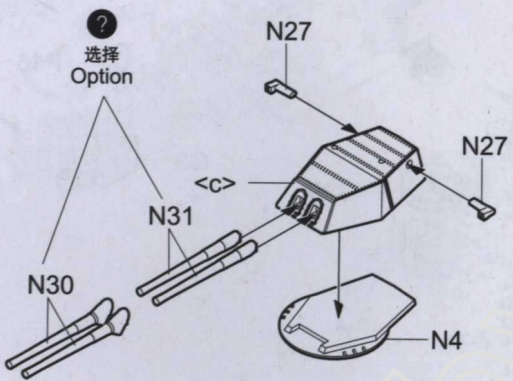
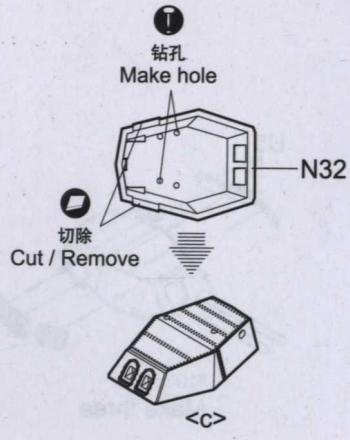
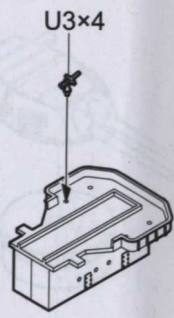
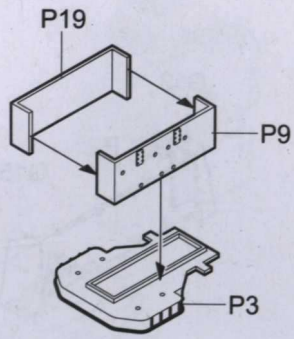
9

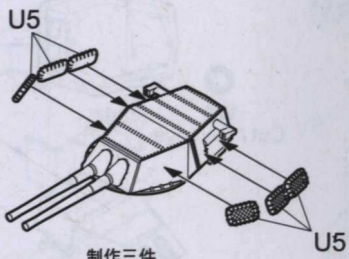


10

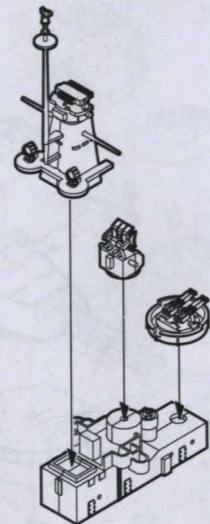
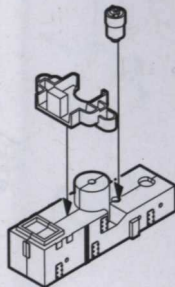
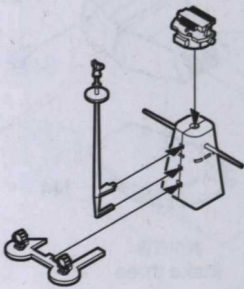
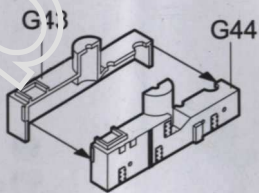
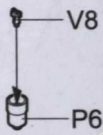
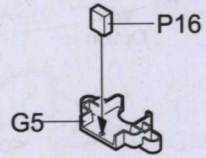
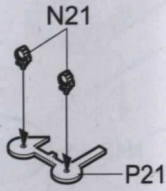
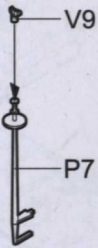
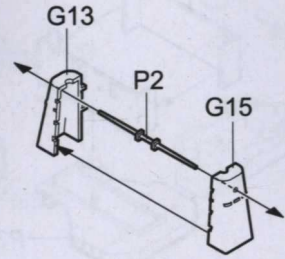
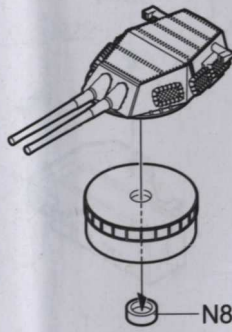




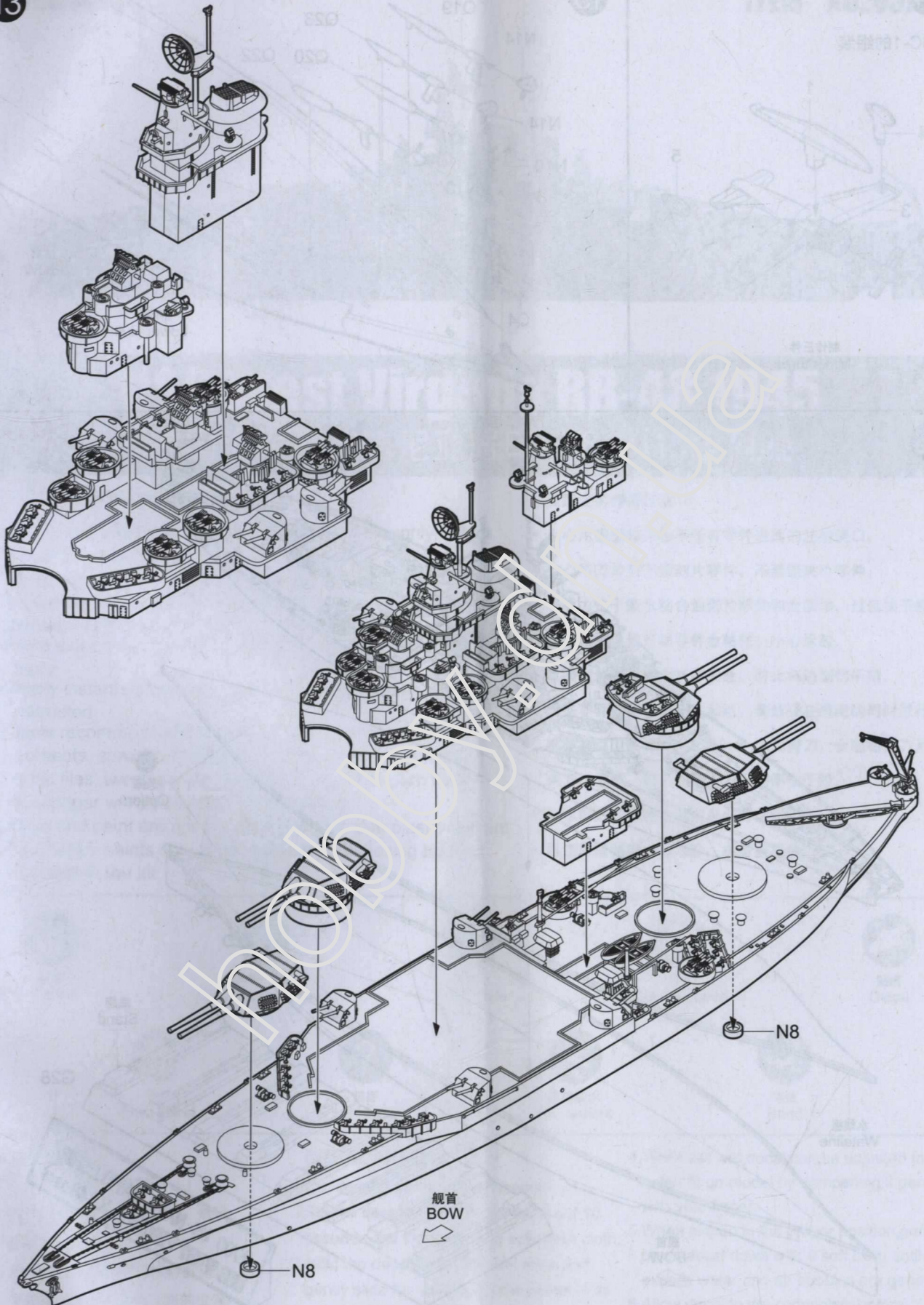




制作三件  
Make three

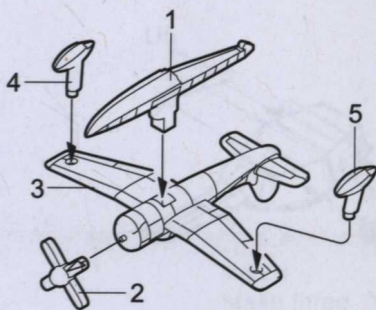


13



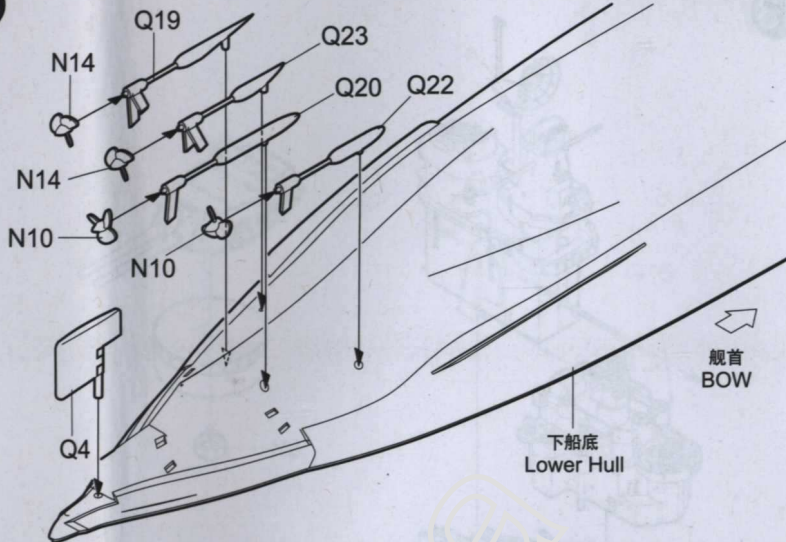
14

SC-1的组装

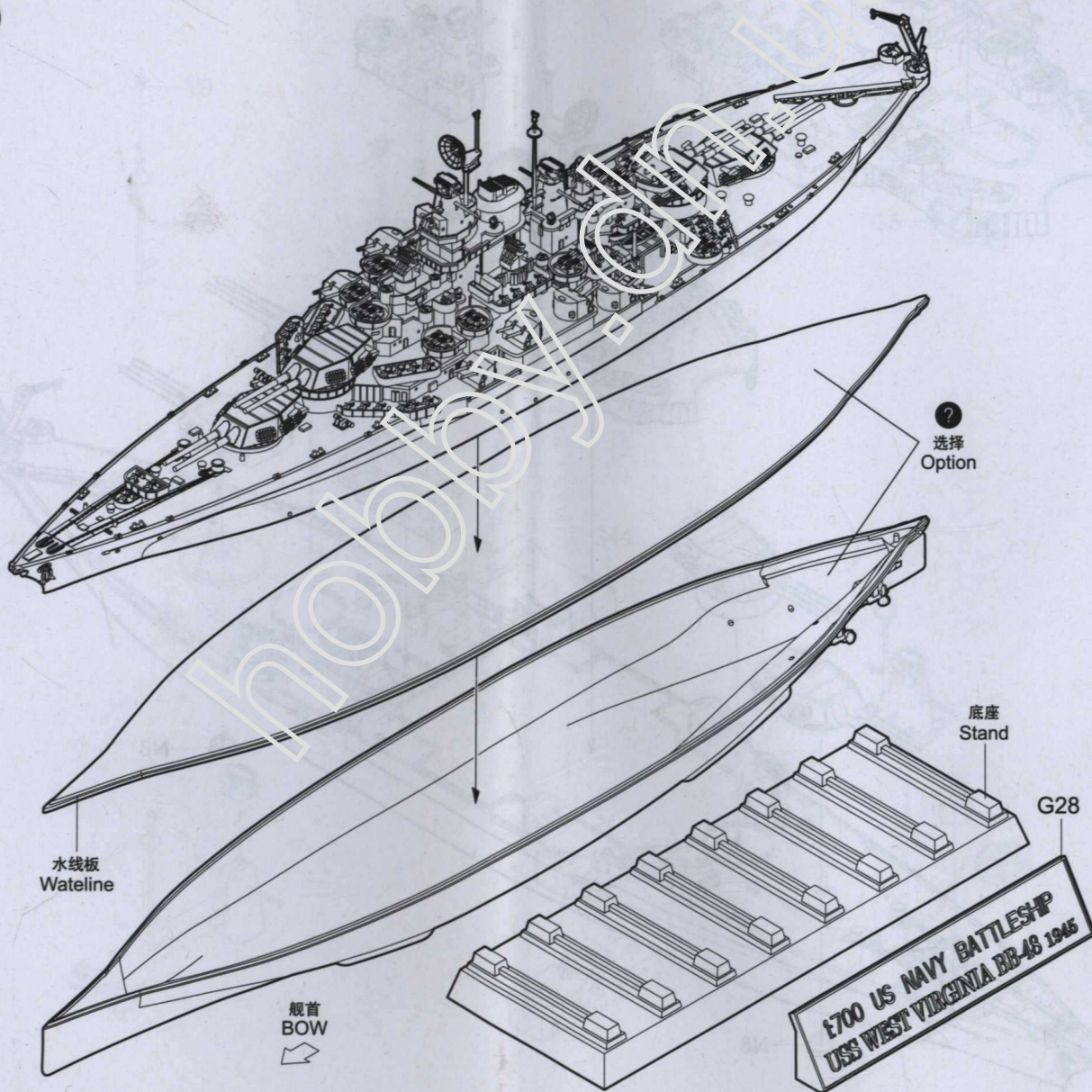


制作三件  
Make three

15



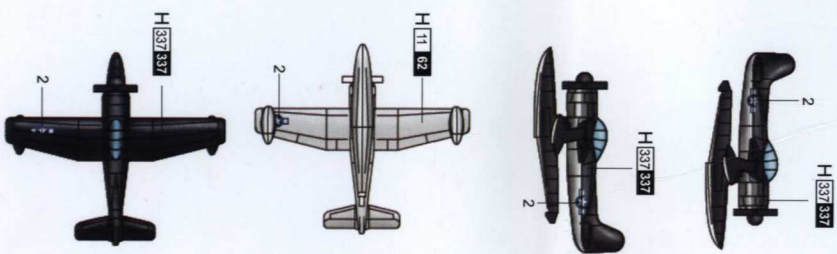
16



# 涂装同标贴指示 Painting & Marking guide



PAINT REFERENCE COLOUR					
Color	Mr.Hobby	Vallejo	Model Master	Tamiya	Humbrol
Blue Gray 灰蓝色	H 42 72	903	1720	-	144
Gold 金色	H 9 9	878	1744	XF-12	16
Cocoa Brown 巧克力色	H 17 29	985	-	XF9	177
Flat black 消光黑	H 12 33	950	1749	XF1	33
Color	Mr.Hobby	Vallejo	Model Master	Tamiya	Humbrol
Light Gray 浅灰色	H 338 338	907	1732	XF-14	147
Army Blue 陆军蓝	H 368	-	-	XF53	-
Gray Blue 灰蓝色	H 337 337	-	1721	XF20	145
Flat White 消光白	H 11 62	951	1788	XF2	34



AQUEOUS HOBBY COLOR     MR. COLOR  
 05772 1/700 USS West Virginia BB-48 1945