

IJN Type 96 carrier-based fighter IV A5M4 «Claude»

IJN Type 96 fighter, also known as the A5M «Claude», was the first modern Japanese carrier-based fighter, though it retained such anachronisms as fixed landing gear. It was designed at a time when the Navy doctrine was beginning to emphasize the preemptive strike against enemy carriers. This led to a requirement for a fighter capable of escorting attack aircraft rather than merely providing local fleet defense. This new mission required unprecedented performance. The Mitsubishi team led by Jiro Horikoshi (creator of the famous A6M «Zero») took great pains to reduce drag, introducing such innovations as flush rivets, and were so confident of their work that they felt free to retain the fixed landing gear to avoid the weight and complexity of retractable gear. The final aircraft exceeded the Navy speed requirement and it also had a better climb rate than required.

The aircraft entered service in early 1937, at the start of the Second Sino-Japanese War in which he took an active part. A5M «Claude» was the main Japanese carrier-based fighter up until start of the WWII, and it remained in use on second-line carriers and land bases until sufficient A6M's were available. Some were still assigned to Shoho's air group when she was sunk at Coral Sea in May 1942. However, by 1941, its performance and firepower were entirely inadequate. Production resumed in 1944 for kamikaze use.

A5M4 (Model 34), the last production models with «Kotobuki 41» KAI engine.

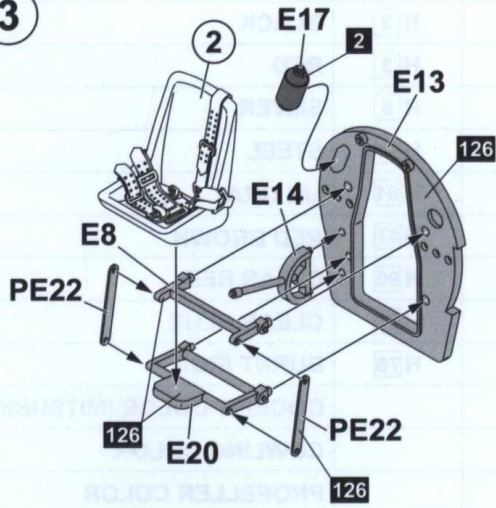
IJN Type 96 was one of the best fighters in the world in its day. It proved that Japanese aircraft designers were as capable as any in the world and that Japan had entered a new era of self-sufficiency in aircraft design and construction. Its remarkable performance put an end to anti-fighter sentiment in the Japanese Navy.

Specifications IJN Type 96 A5M - Crew: 1; Length: 24'11" (7.57m); Wingspan: 36'1" (11m); Weight: 2,681-3,684 lbs (1216-1671 kg); Wing area: 192 sq. feet (17.8 sq. m); Max speed: 273 mph (440 km/h) at 9845 feet (3000 m); Cruise speed: 250 mph (402 km/h) at 9845 feet (3000 m); Climb rate: 46 feet per second (14 m/s); Ceiling: 32,150 feet (9800 m); Range: 500 miles (805 km) on internal fuel, 746 miles (1200 km) with drop tank, Engine: 1 x 585 kW (785 hp) «Kotobuki 41» (nine-cylinder air-cooled radial engine driving a three-blade SS-22 metal propeller); Fuel capacity: 75 gallons (284 liters) internal; Armament: 2 x 7.7mm Type 89 machine guns with 500 rounds per gun; External stores: 2 x 65 lb (30kg) bombs or 1 x 42 gallons (160 liters) drop tank.

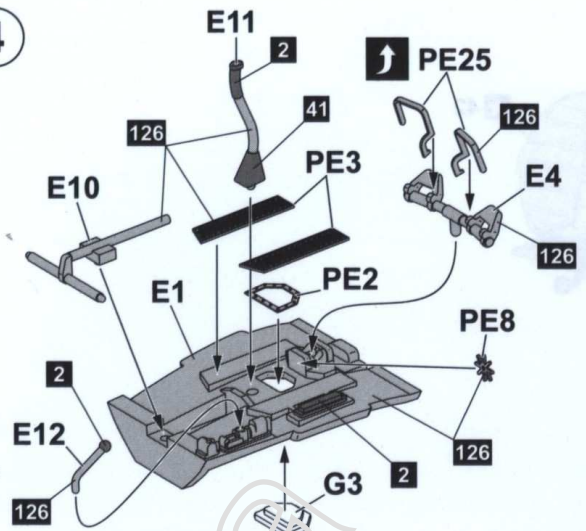
⚠ CAUTION

- ★ Read carefully and fully understand the instructions before commencing assembly.
- ★ Adult supervisor should also read instructions when assembled by children aged 12 or younger.
- ★ Tear up and throw away the plastic bags containing kit parts as children may suffocate by swallowing or wearing over head.
- ★ Cut the parts off properly and throw the waste parts into dustbox at once.
- ★ Do not play with the parts for any other purpose as some parts may be too sharp. More caution and care needed for families with infants.
- ★ Do not swallow any parts and cut-off chips. Keep away from reach of children.
- ★ Wrong or careless usage of nipper, cutter, file etc. may hurt the assembler.
- ★ Be cautions as follows when using adhesives and / or paints:
 - Do not use in closed room to avoid poisoning / toxic.
 - Do not use near fire to avoid flammability.
 - Do not put any adhesives and / or paints into mouth and eye. If mistakenly put into, wash out promptly with full water and consult a medic.
- ★ Use toolings, adhesives, paints, batteries etc. properly after careful reading of instructions given in each handling manual.

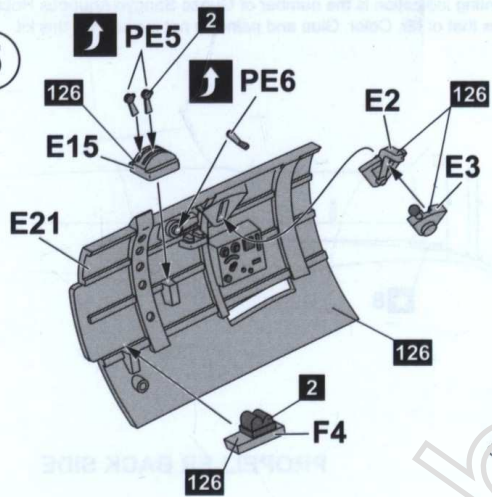
3



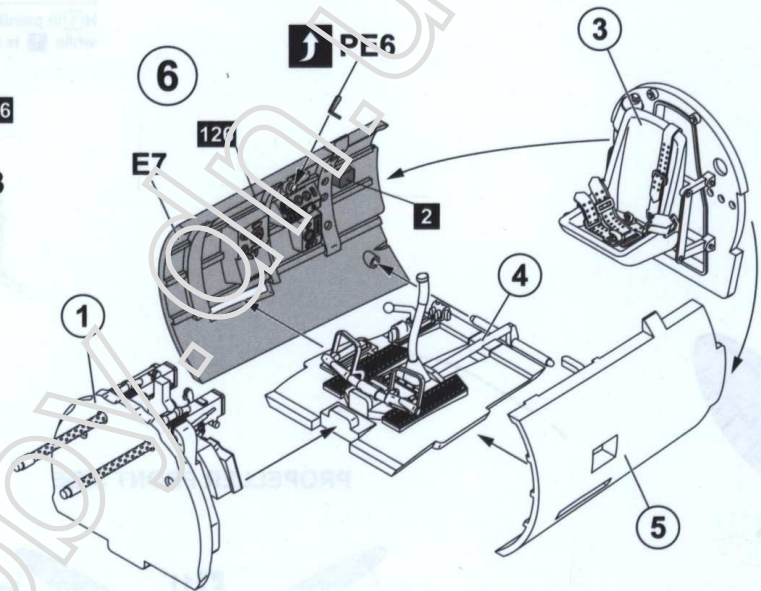
4



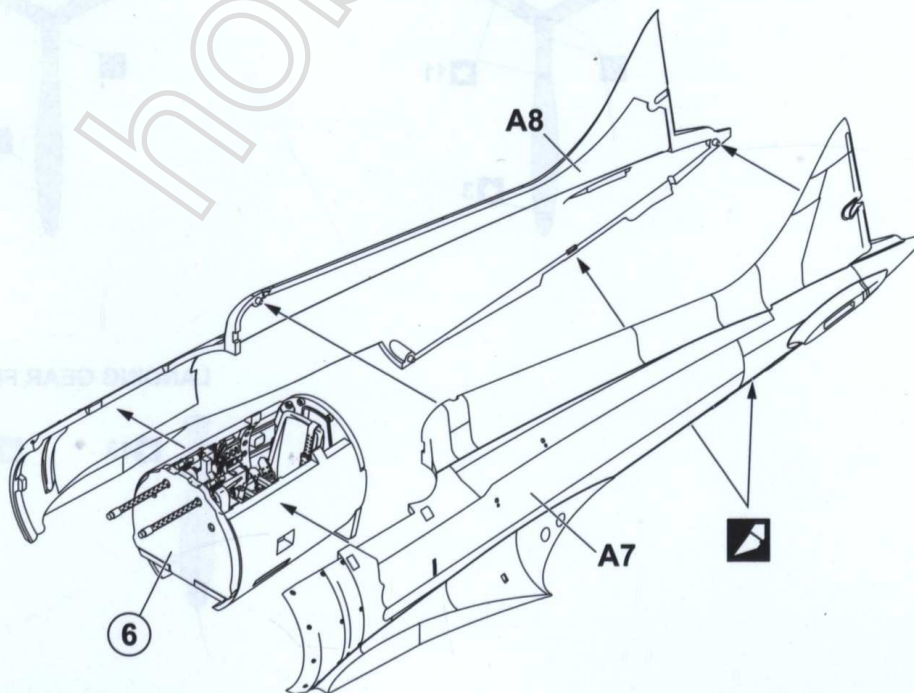
5



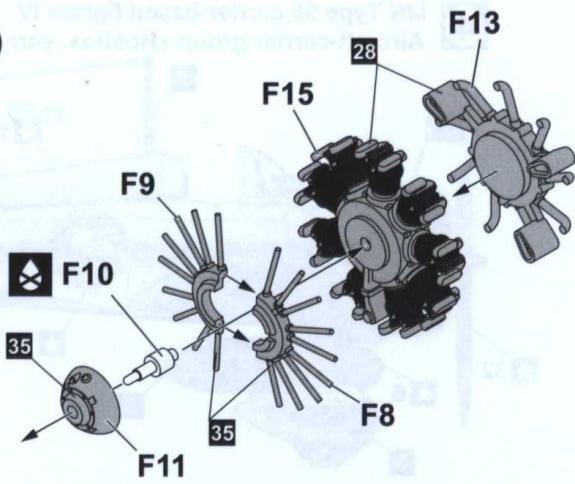
6



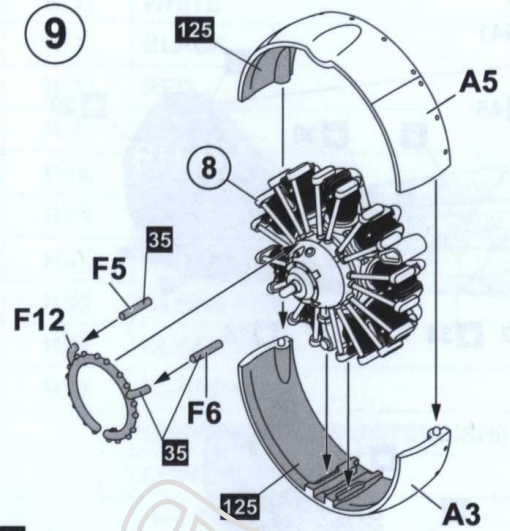
7



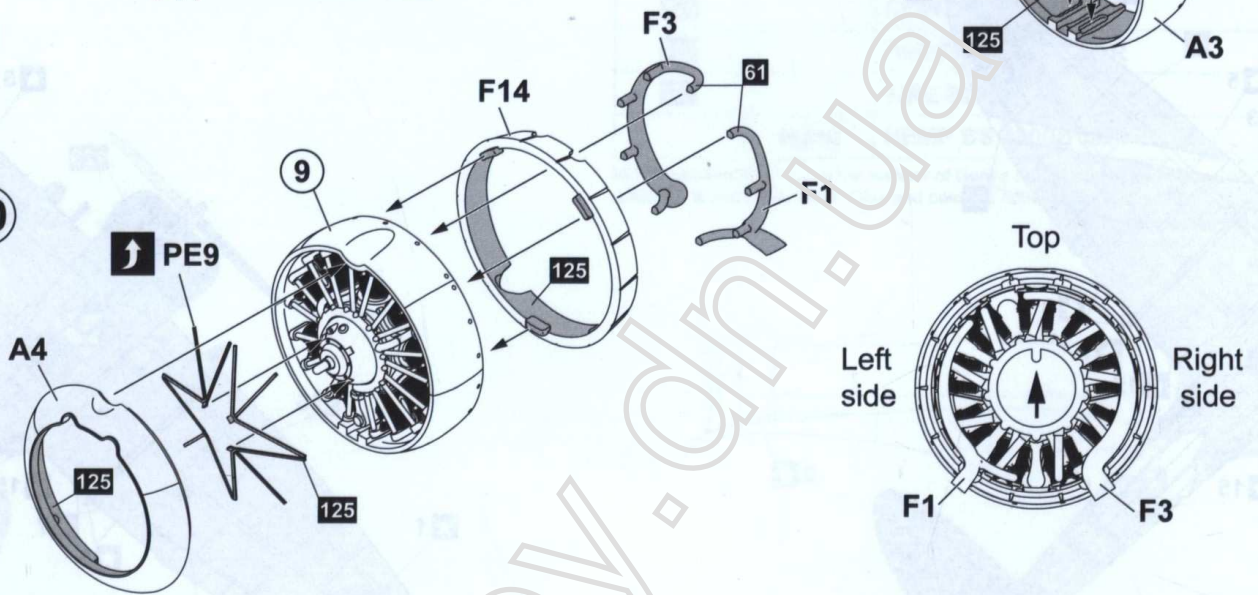
8



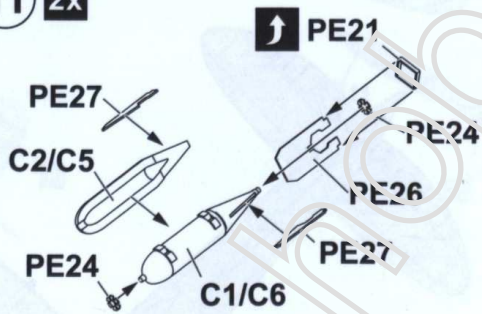
9



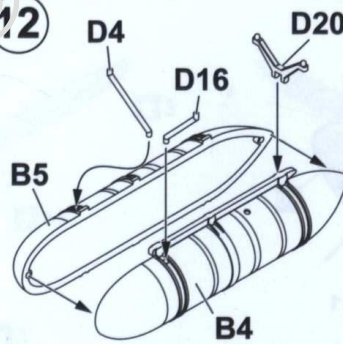
10



11 2x



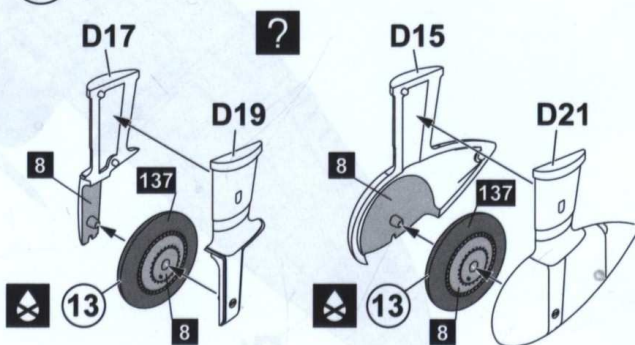
12



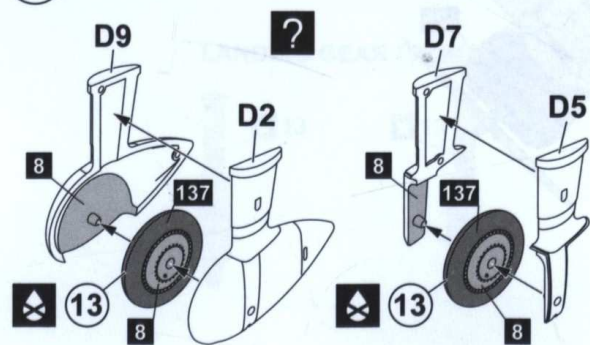
13 2x



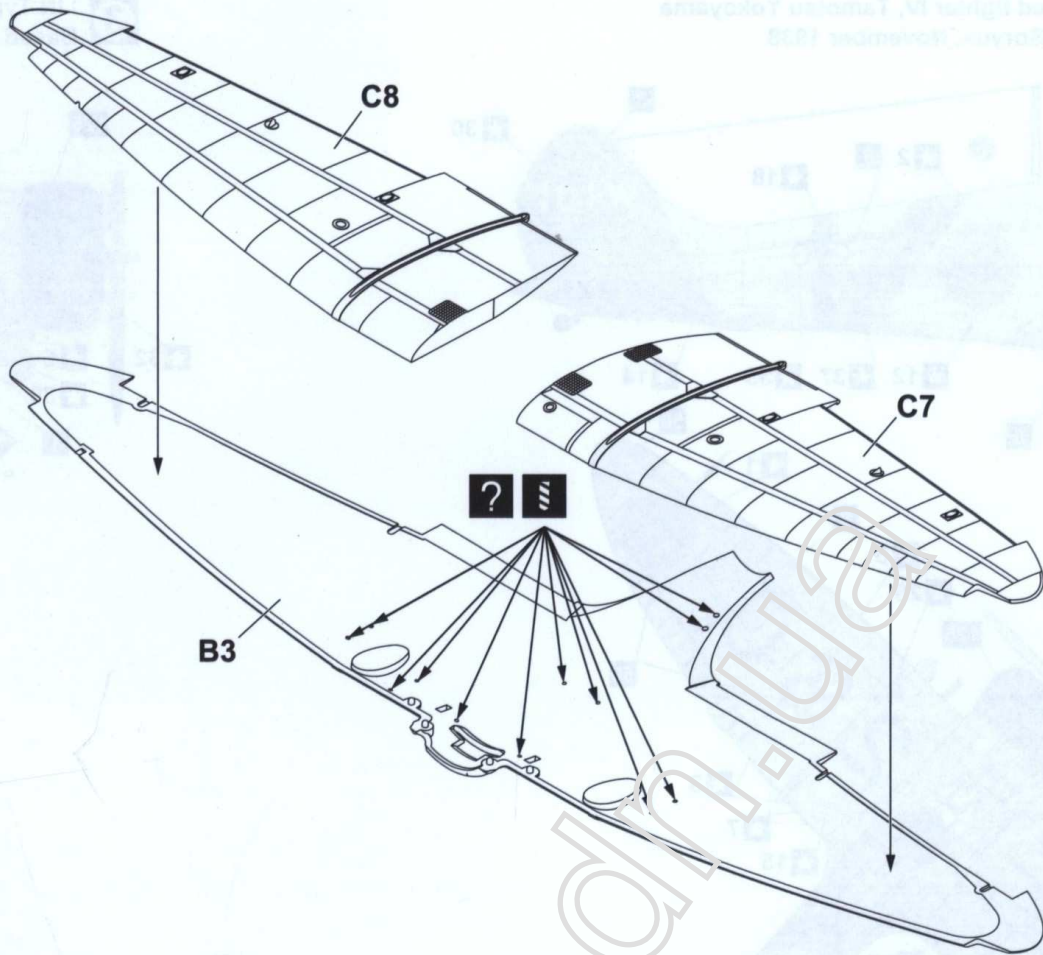
14



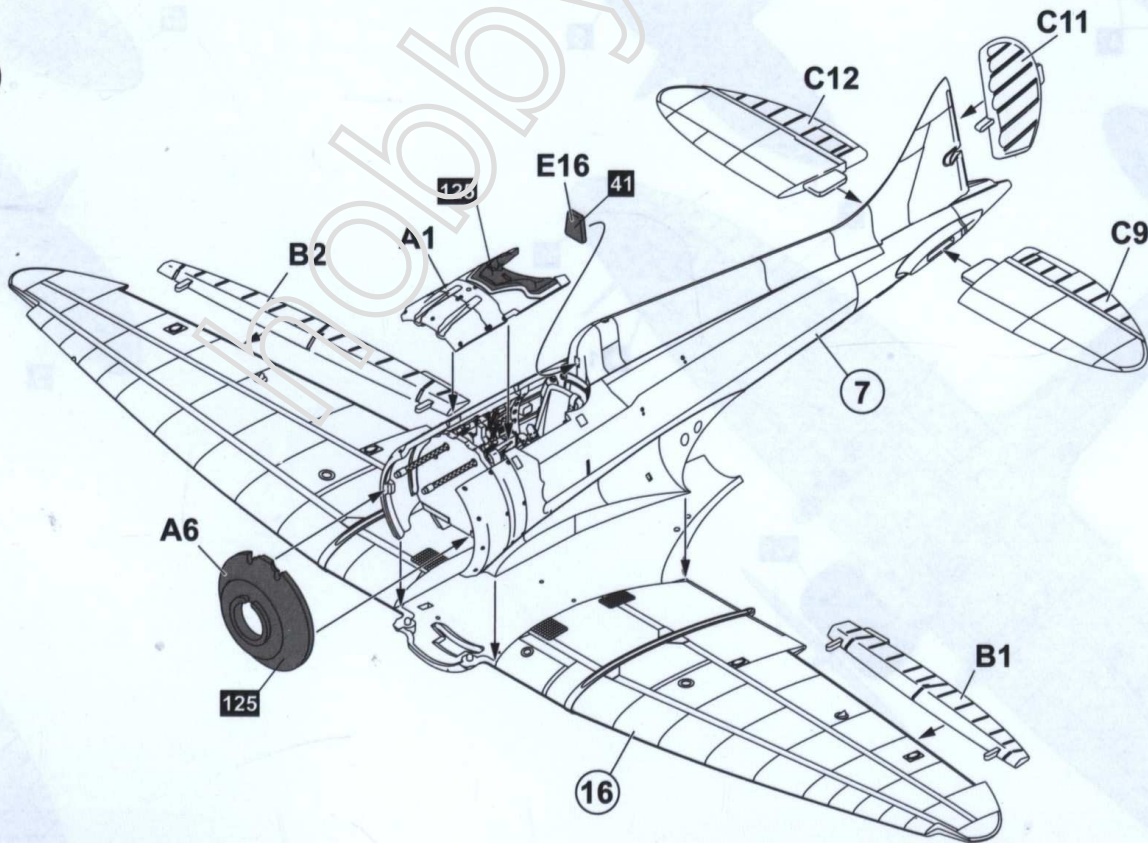
15



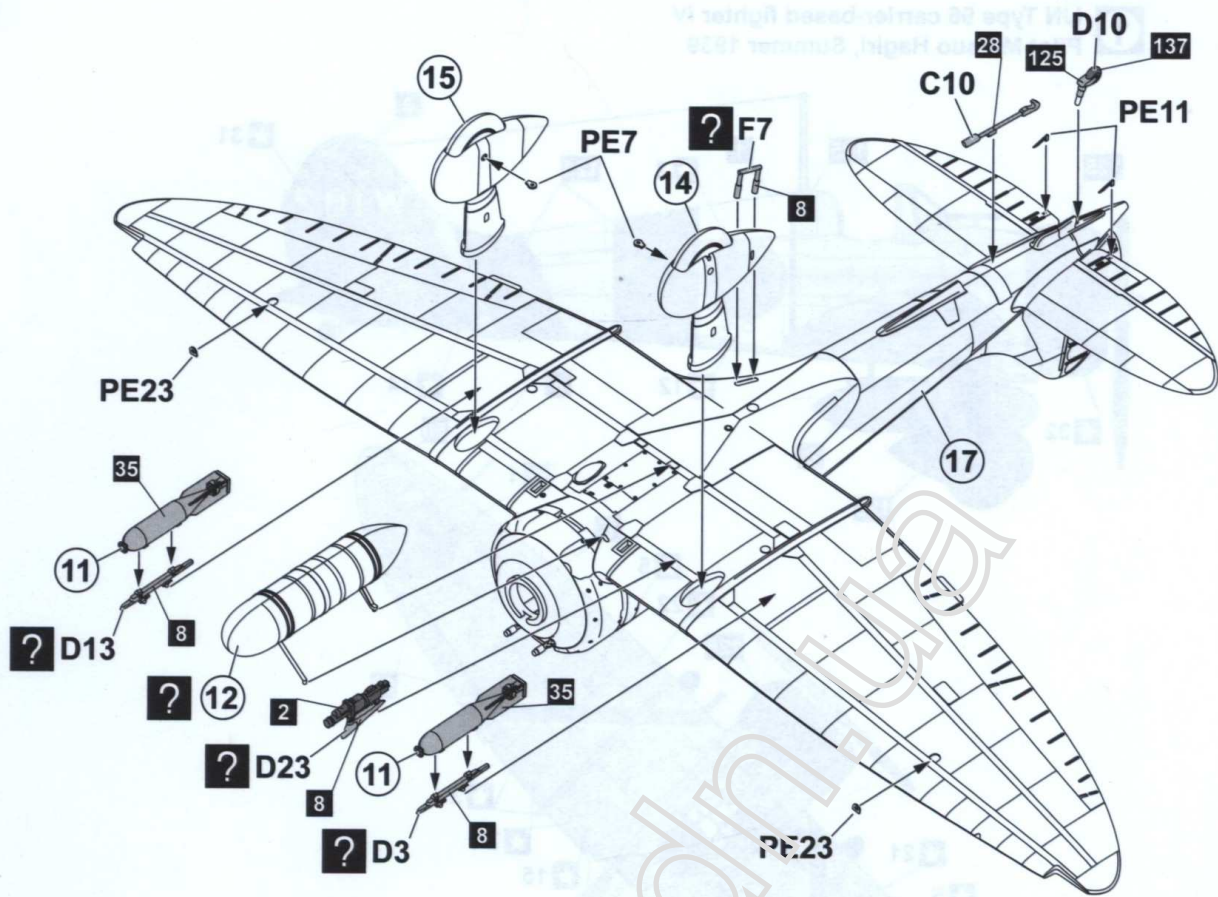
16



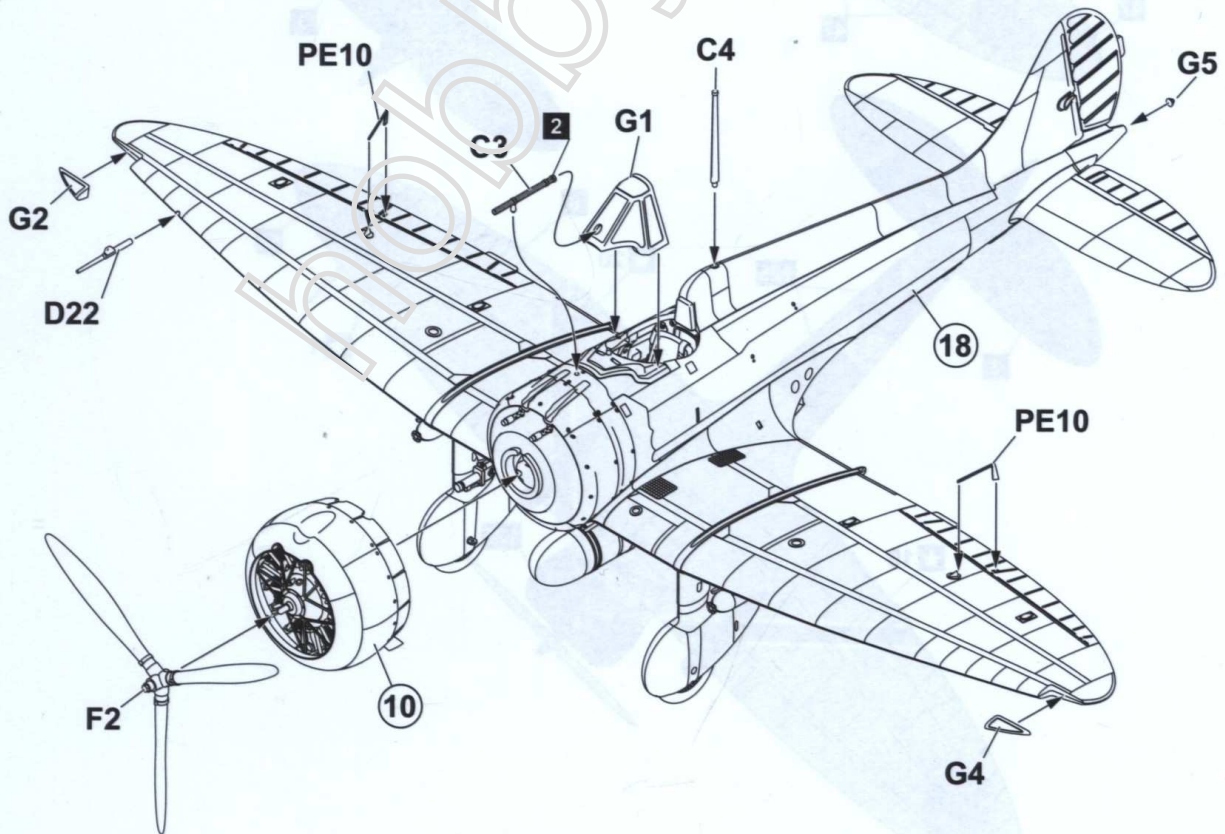
17



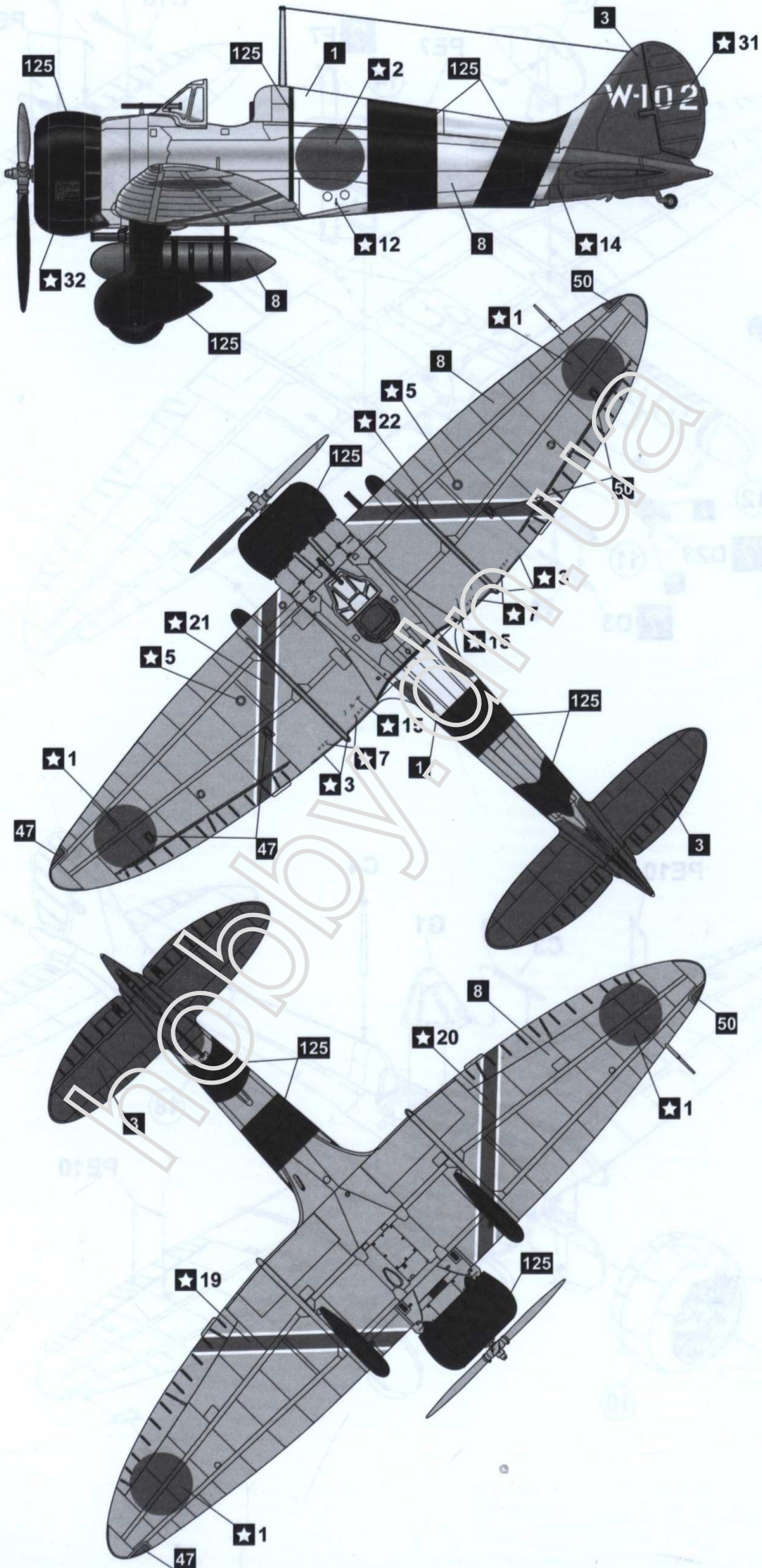
18



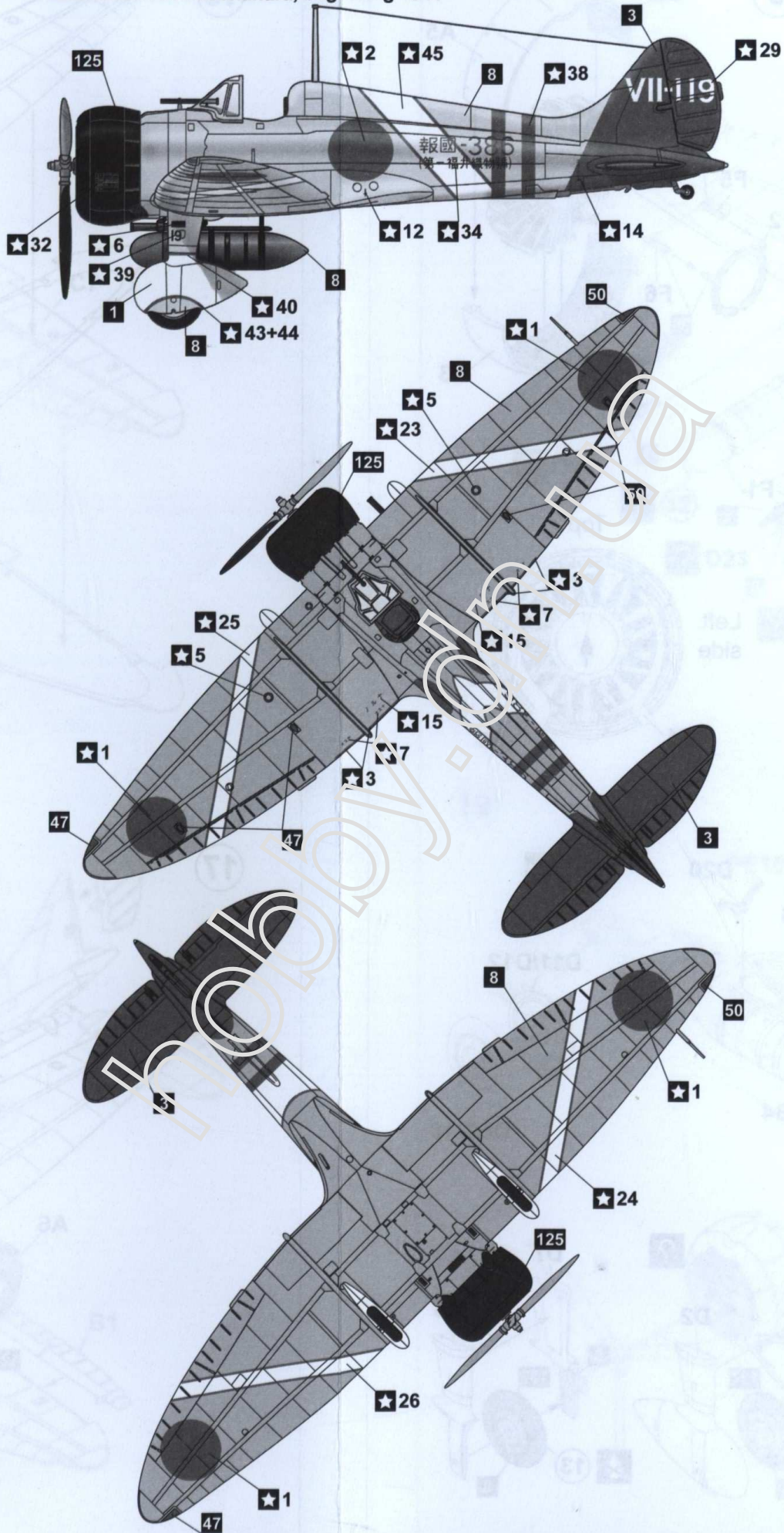
19



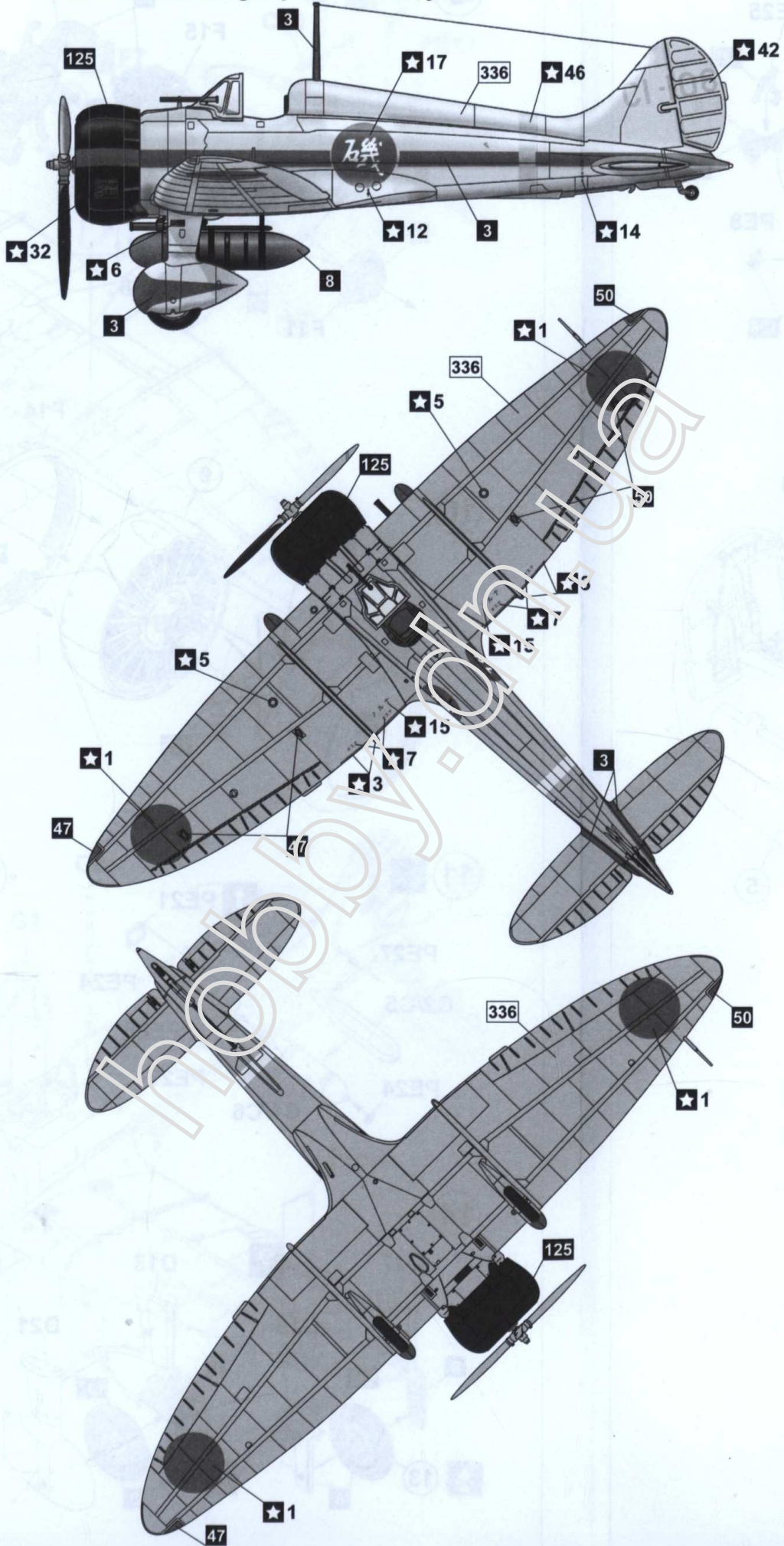
1 IJN Type 96 carrier-based fighter IV
Pilot Matsuo Hagiri, Summer 1939



3 IJN Type 96 carrier-based fighter IV
Based at Kasonahara, beginning 1941

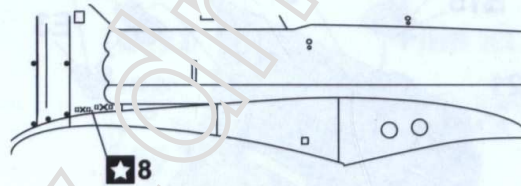


4 IJN Type 96 carrier-based fighter IV
Aircraft-carrier group «Hosho», early 1942

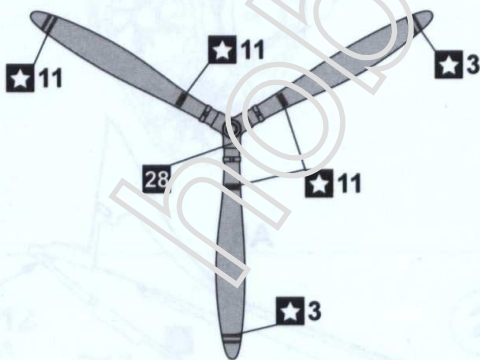


1	H 1	WHITE
2	H 2	BLACK
3	H 3	RED
8	H 8	SILVER
28	H 18	STEEL
35	H 61	IJN GRAY
41	H 47	RED BROWN
47	H 90	CLEAR RED
50	H 93	CLEAR BLUE
61	H 76	BURNT IRON
126		COCKPIT COLOR (MITSUBISHI)
125		COWLING COLOR
131		PROPELLER COLOR
137		TIRE BLACK
	H 336	HEMP ES 4800/10P21

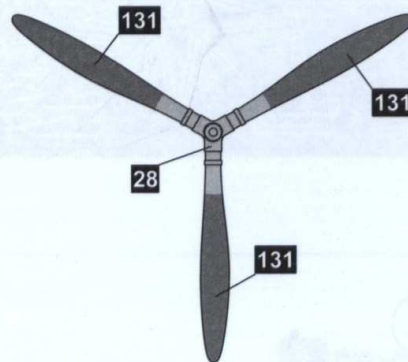
H[] in painting indication is the number of Gunze Sangyo Aqueous Hobby Color, while [] is that of Mr. Color. Glue and paints is not included in this kit.



PROPELLER FRONT SIDE



PROPELLER BACK SIDE



LANDING GEAR FRONT

