



REMOVE



OPEN HOLE



BEND



DO NOT GLUE



OPTIONAL

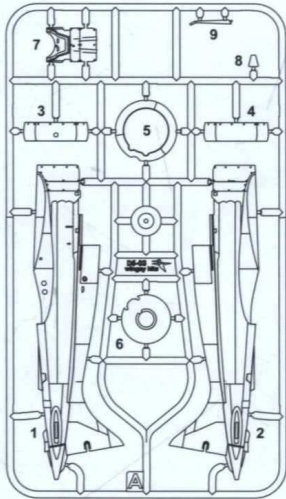


APPLY DECAL

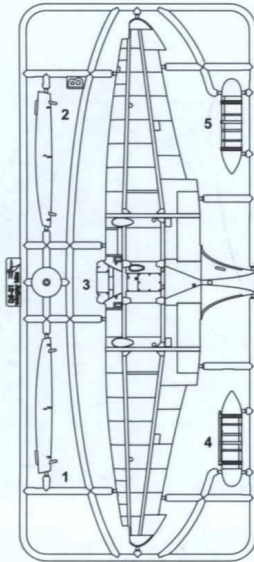


2x QUANTITY OF OPERATIONS

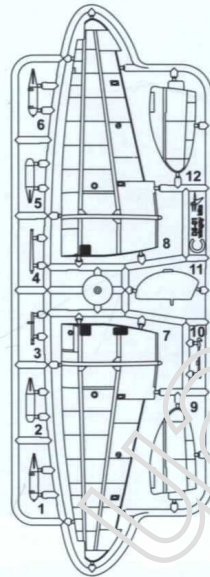
[A]x1



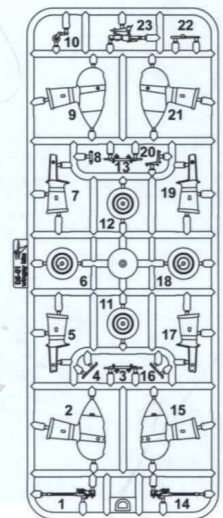
[B]x1



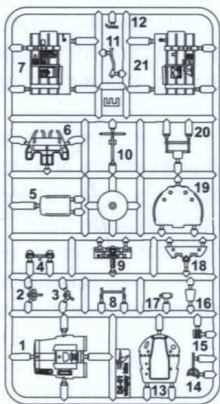
[C]x1



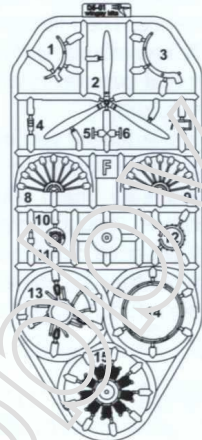
[D]x1



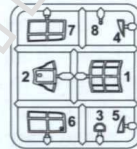
[E]x1



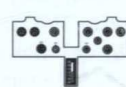
[F]x1



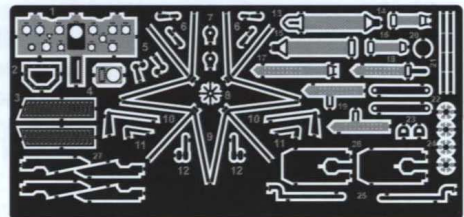
[G]x1



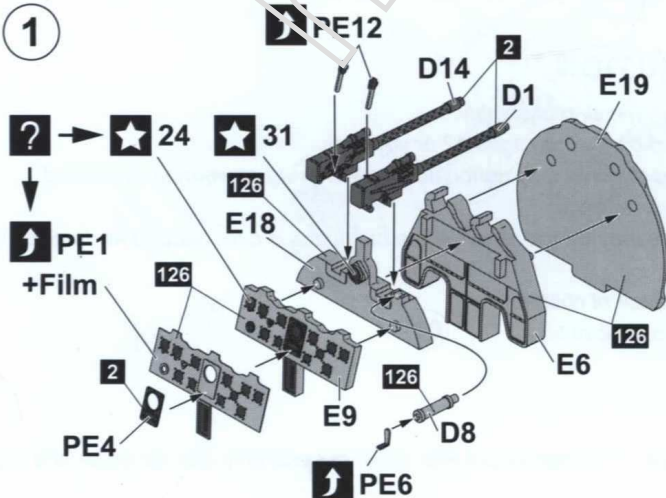
Film x1



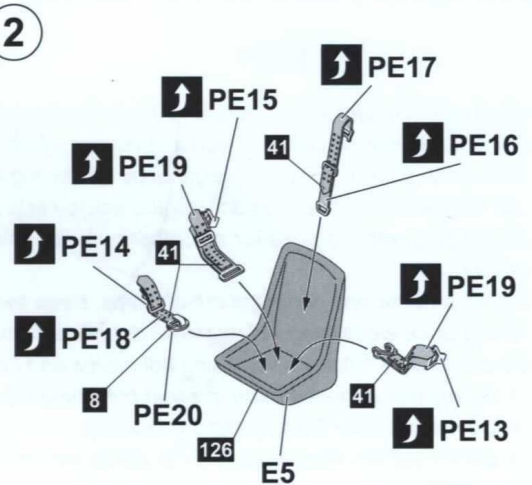
[PE]x1



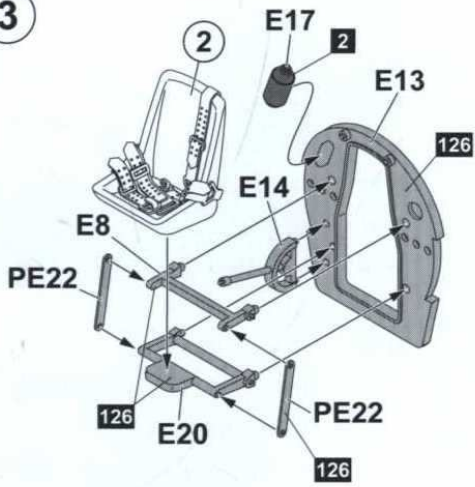
1



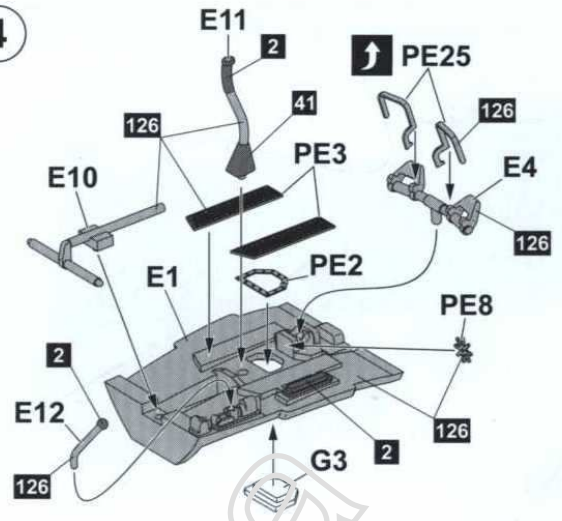
2



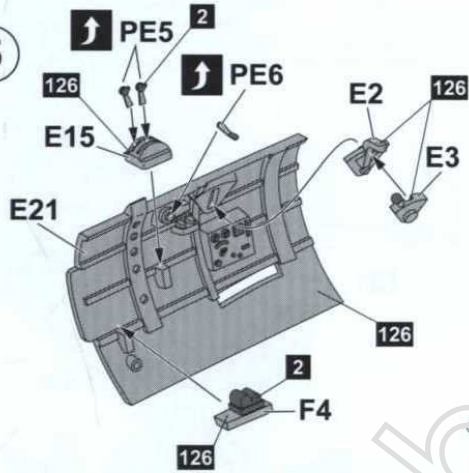
3



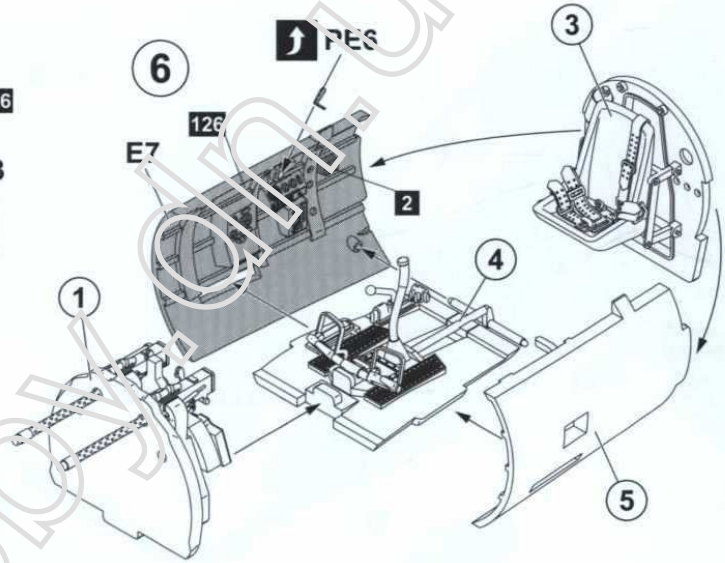
4



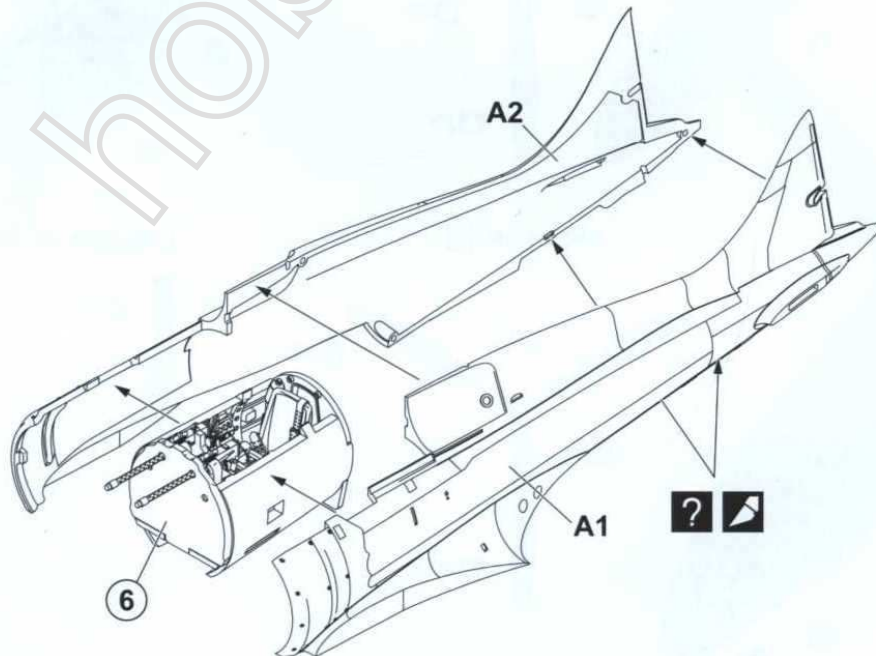
5



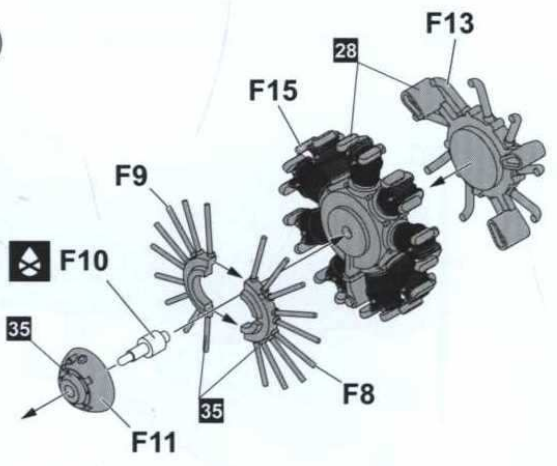
6



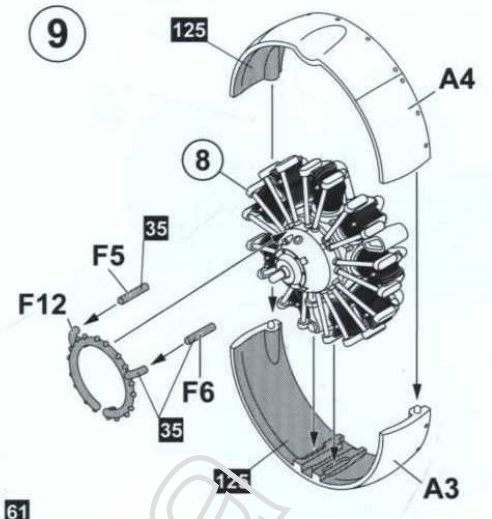
7



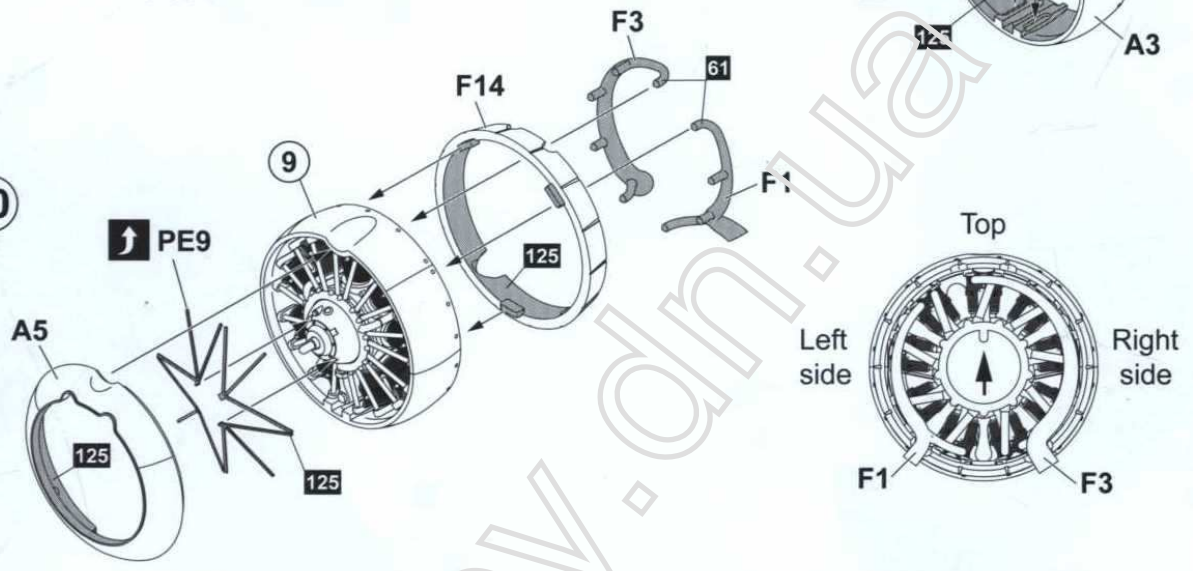
8



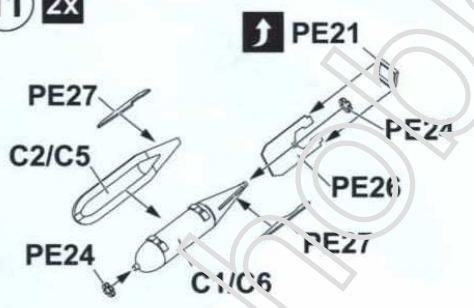
9



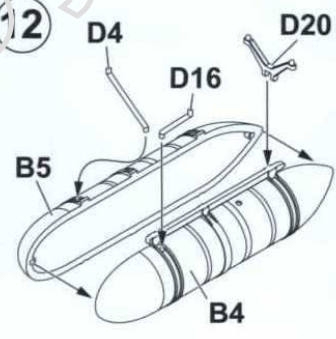
10



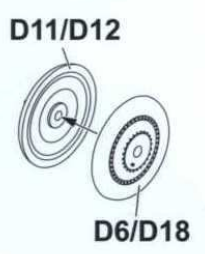
11 2x



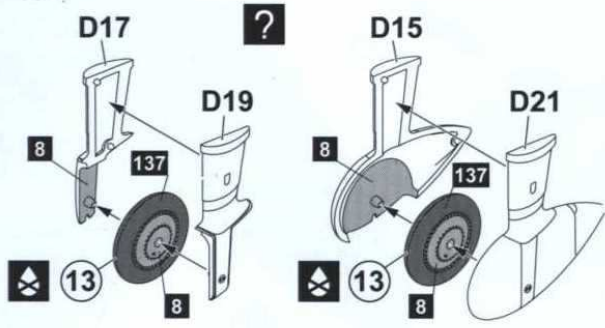
12



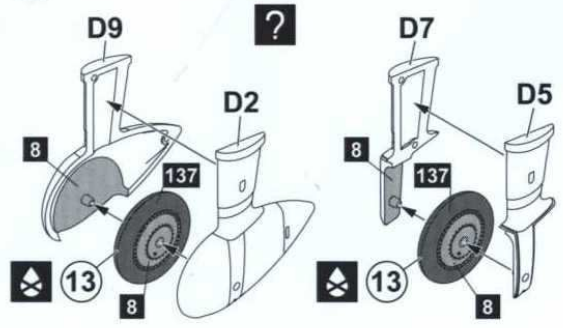
13 2x



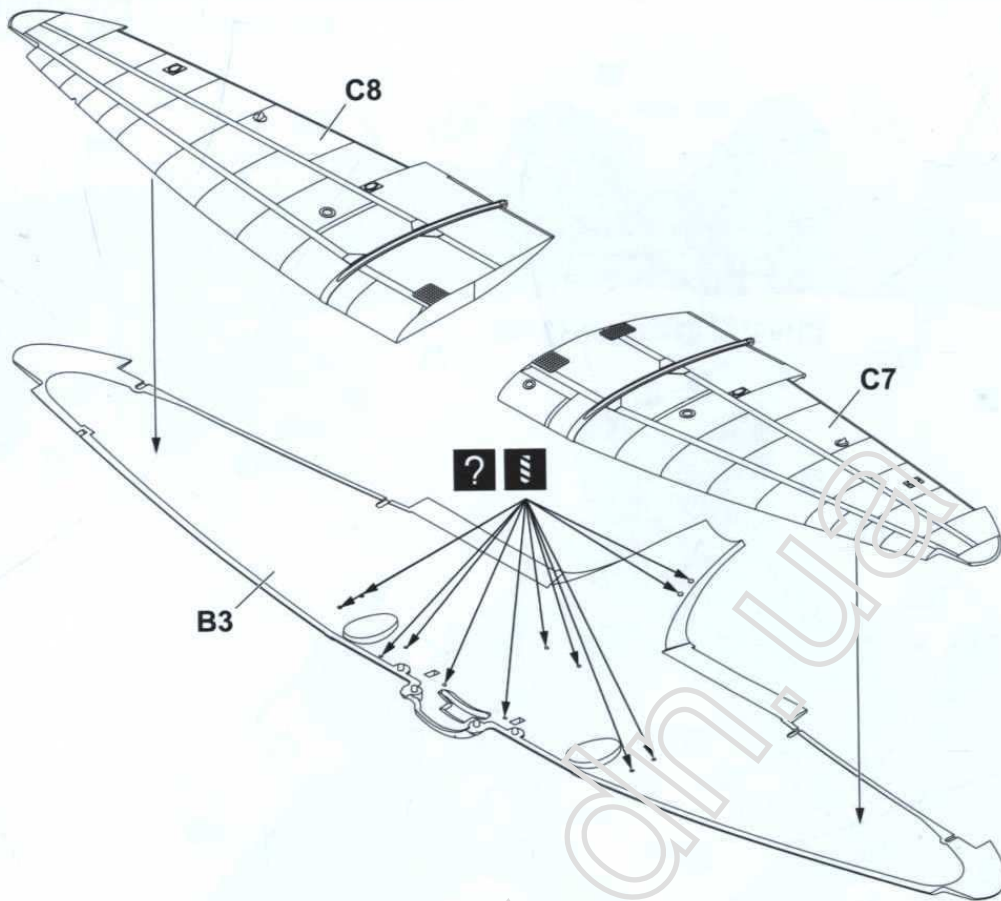
14



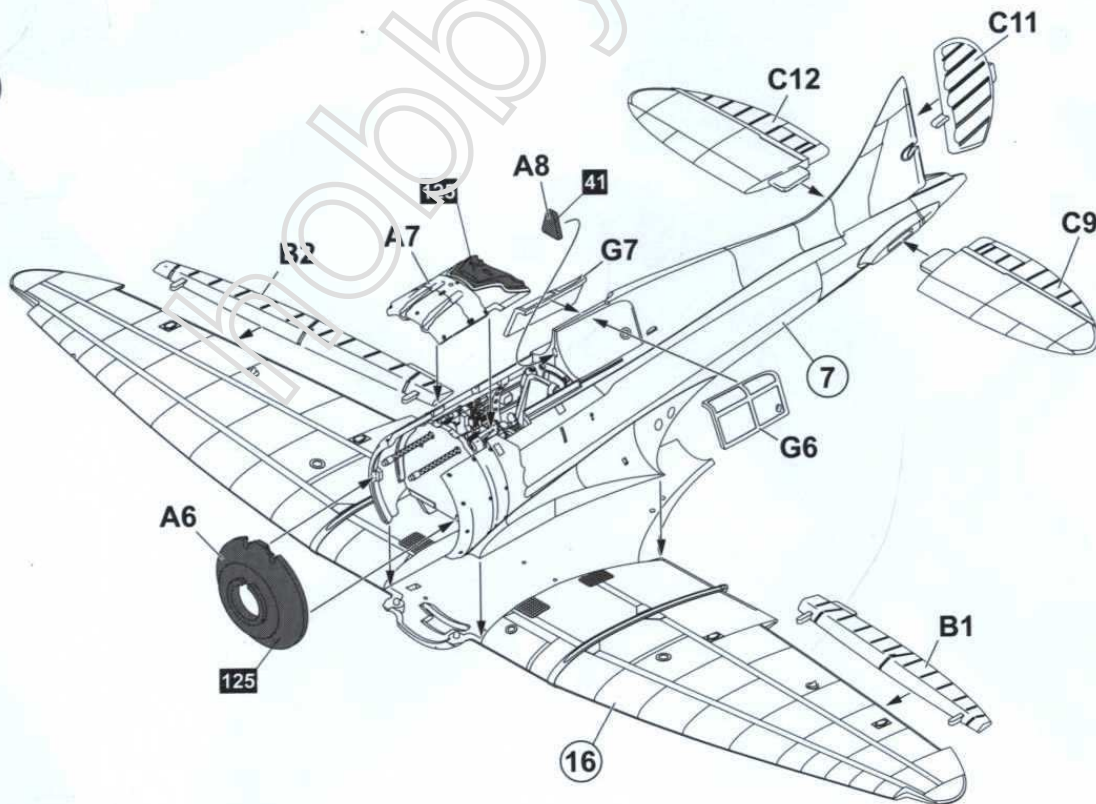
15



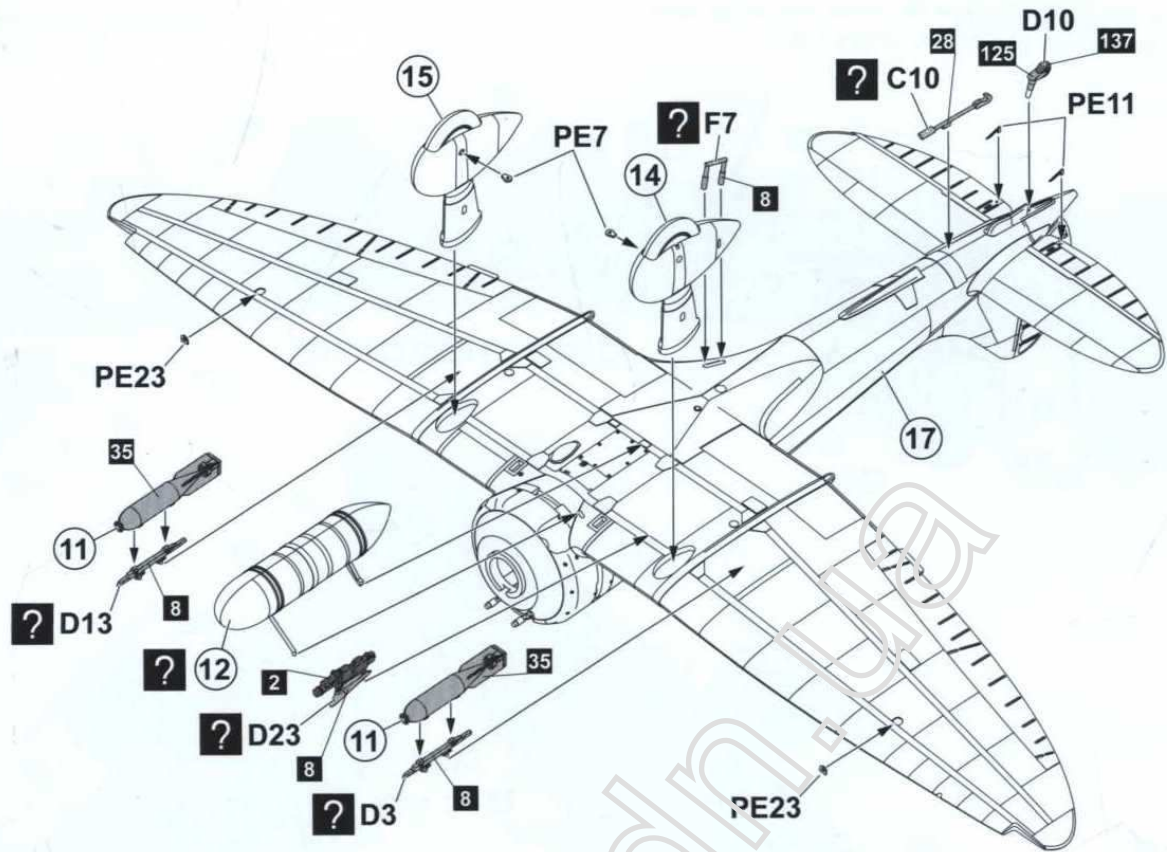
16



17



18



19

