

NAKAJIMA A2N3

NAVY TYPE 90-III CARRIER-BASED FIGHTER

1/48 A.B.&K
HOBBY KITS

九〇式艦上戦闘機三型 (A2N3)



General characteristics:

Crew: 1
Length: 6.183 m
Wingspan: 9.37 m
Height: 3.025 m
Emty weight: 1.045 kg
Gross weight: 1550 kg
Powerplant Nakajima Kotobuki 2 9-cylinder air-cooled radial piston engine
343-433 kW (460-580 hp)
Propeller: 2-bladed Hamilton Standart fixed-pitch propeller

Performance:

Maximum speed: 293km/h
Cruise speed: 167 km/h
Range: 500 km
Endurance: 3 hours
Service ceiling: 9,000m
Time to altitude: 3,000m in 5 minutes
45 seconds

Armament

Guns: 2x 7.7 mm machine guns

MODEL CONSTRUCTION KIT

Ready to assembly scale models kit.

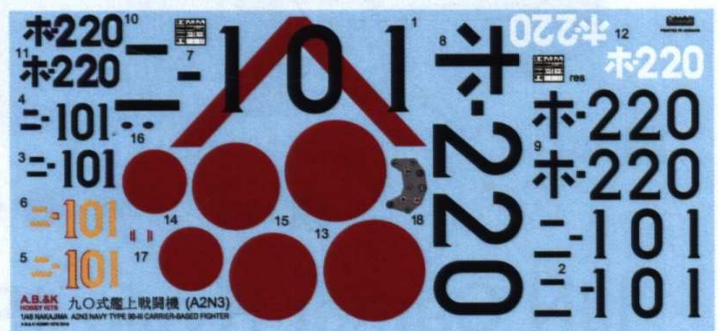
Contains part for one model.

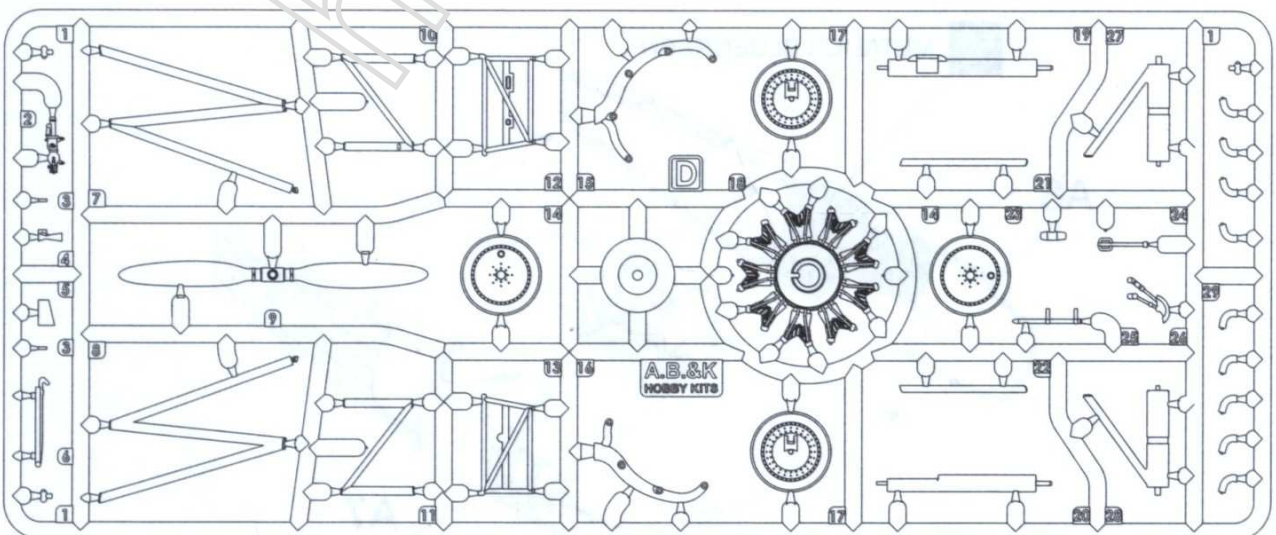
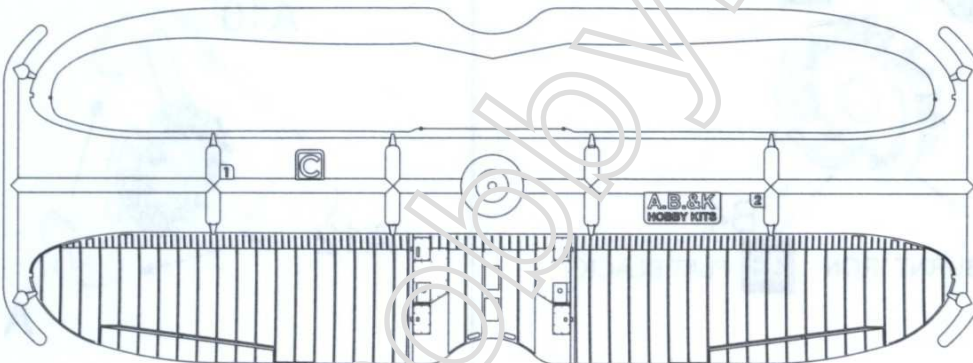
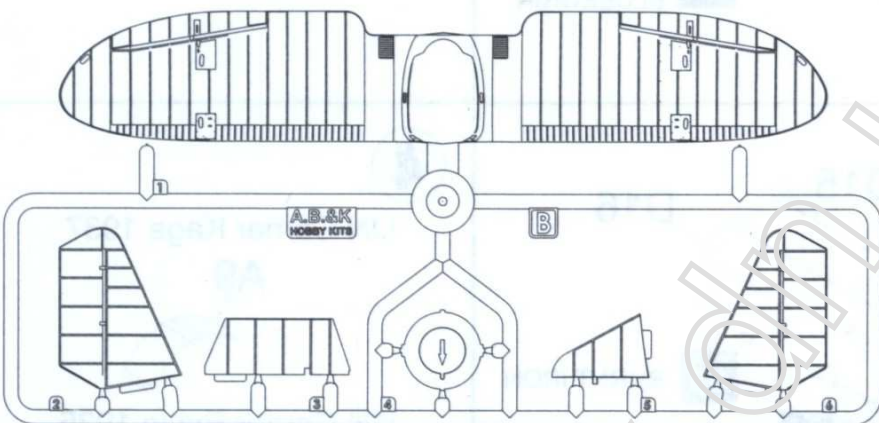
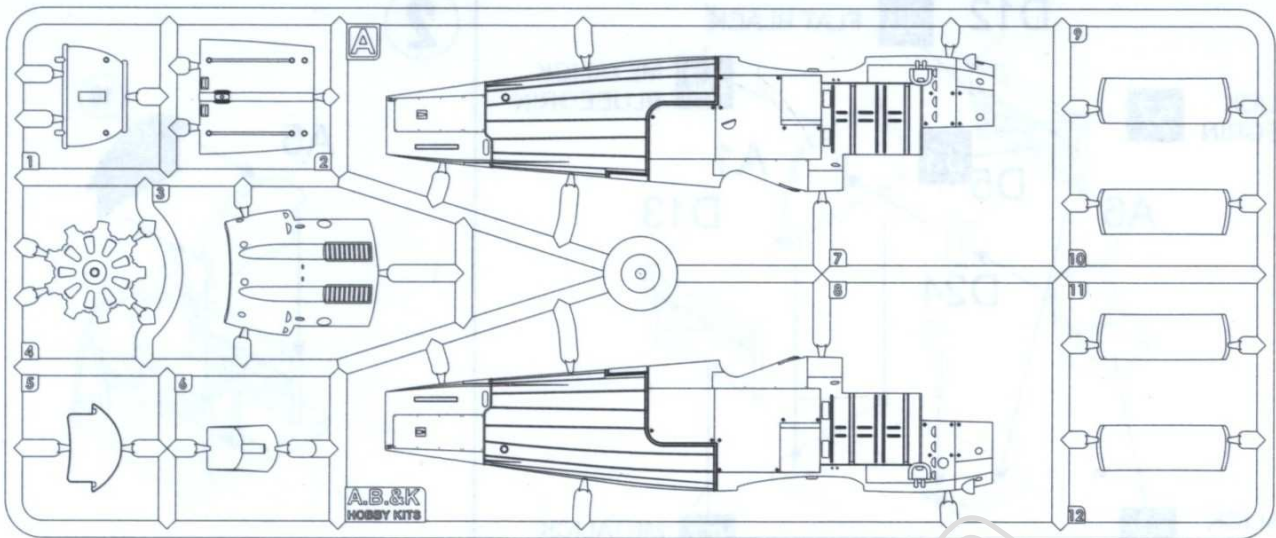
Wingspan: 195 mm

Fuselage: 129 mm

Plastic parts: 63

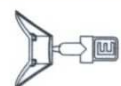
1/48 SCALE
No.4003



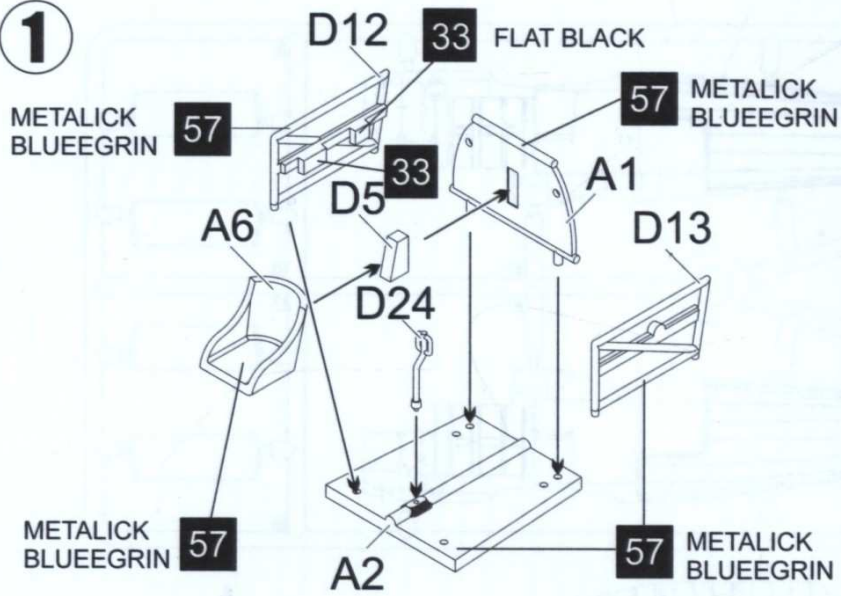


Gunze Sangyo's "Mr.Color"

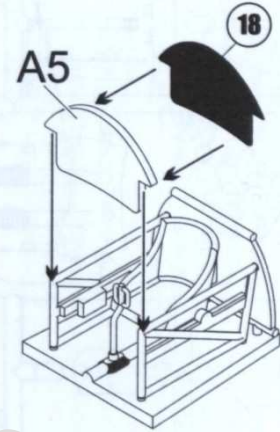
- 1** WHITE
- 2** BLACK
- 3** RED
- 8** SILVER
- 33** FLAT BLACK
- 47** CLEAR RED
- 50** CLEAR BLUE
- 61** BURNT IRON



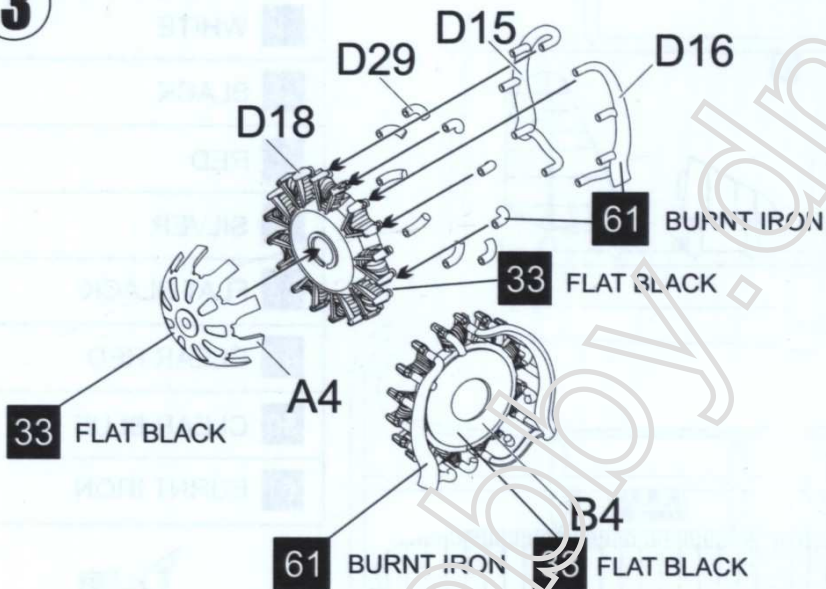
1



2



3



4

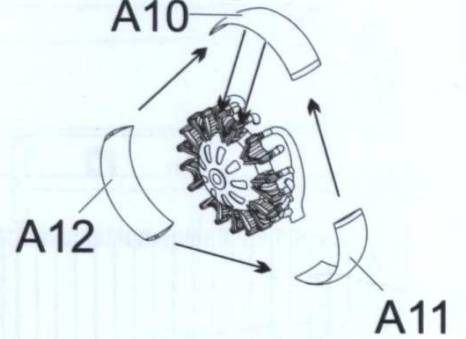
IJN Carrier Kaga 1937

A9

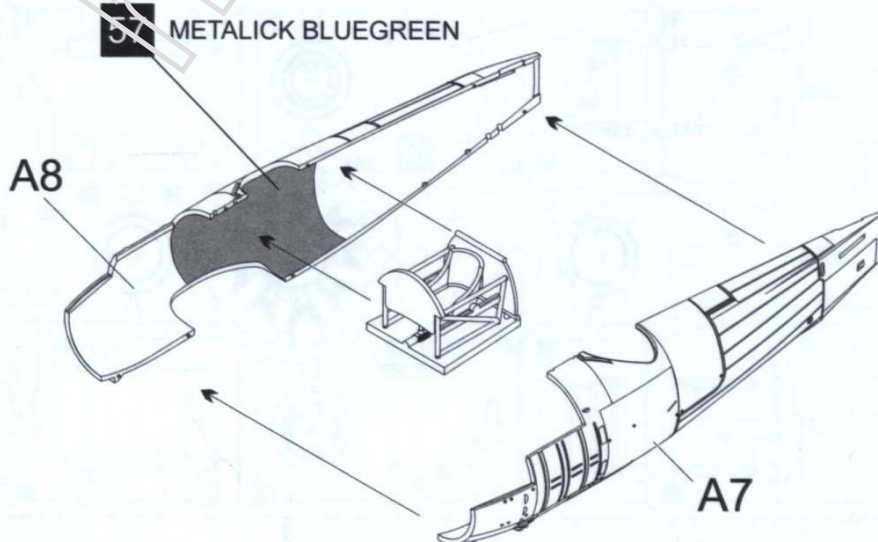


IJN Carrier Ryujo 1936

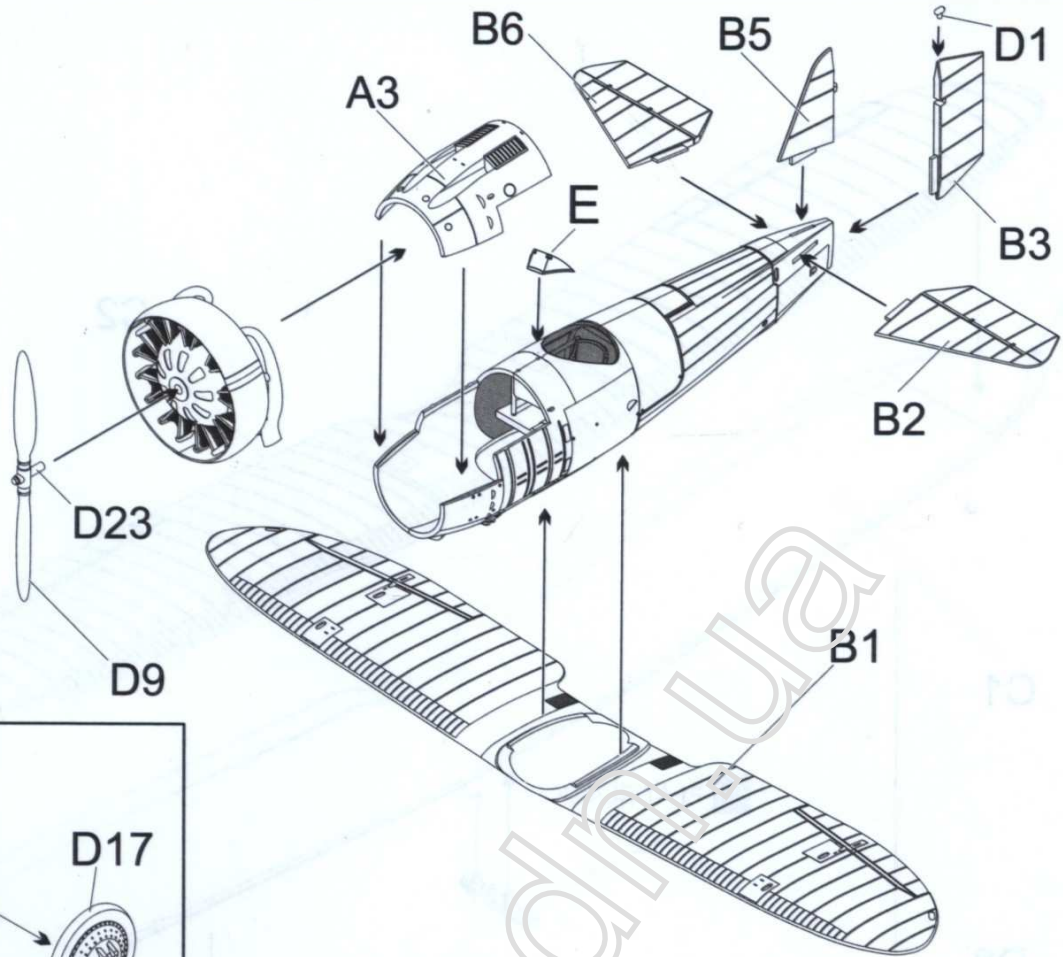
A10



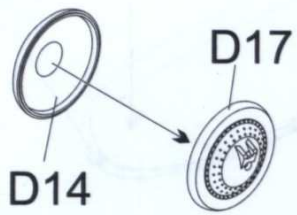
5



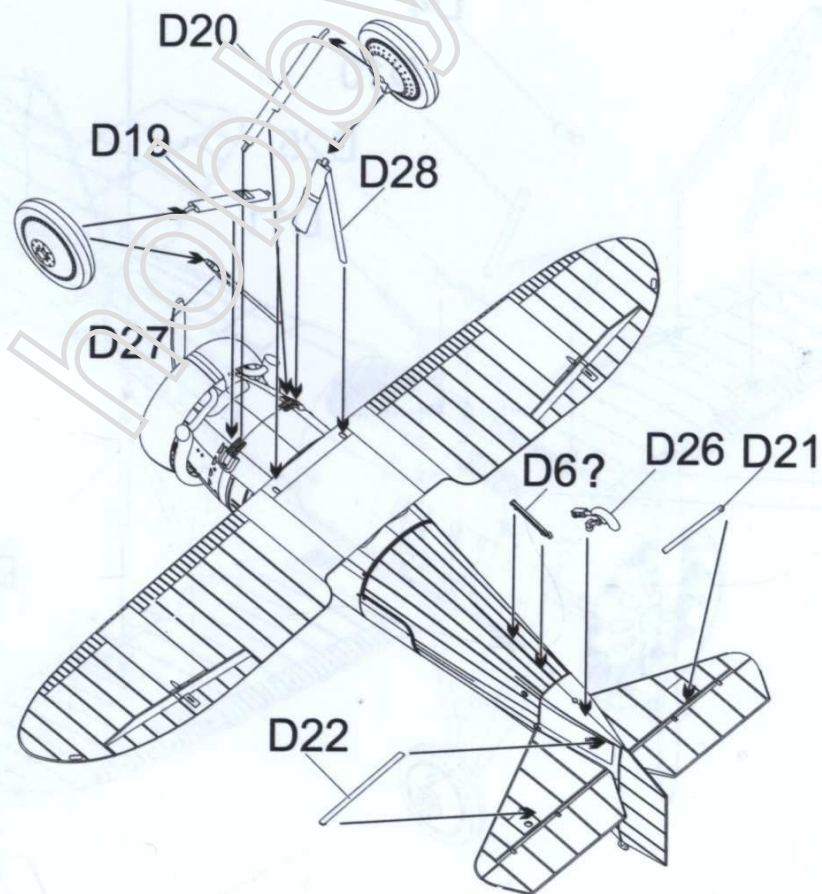
6



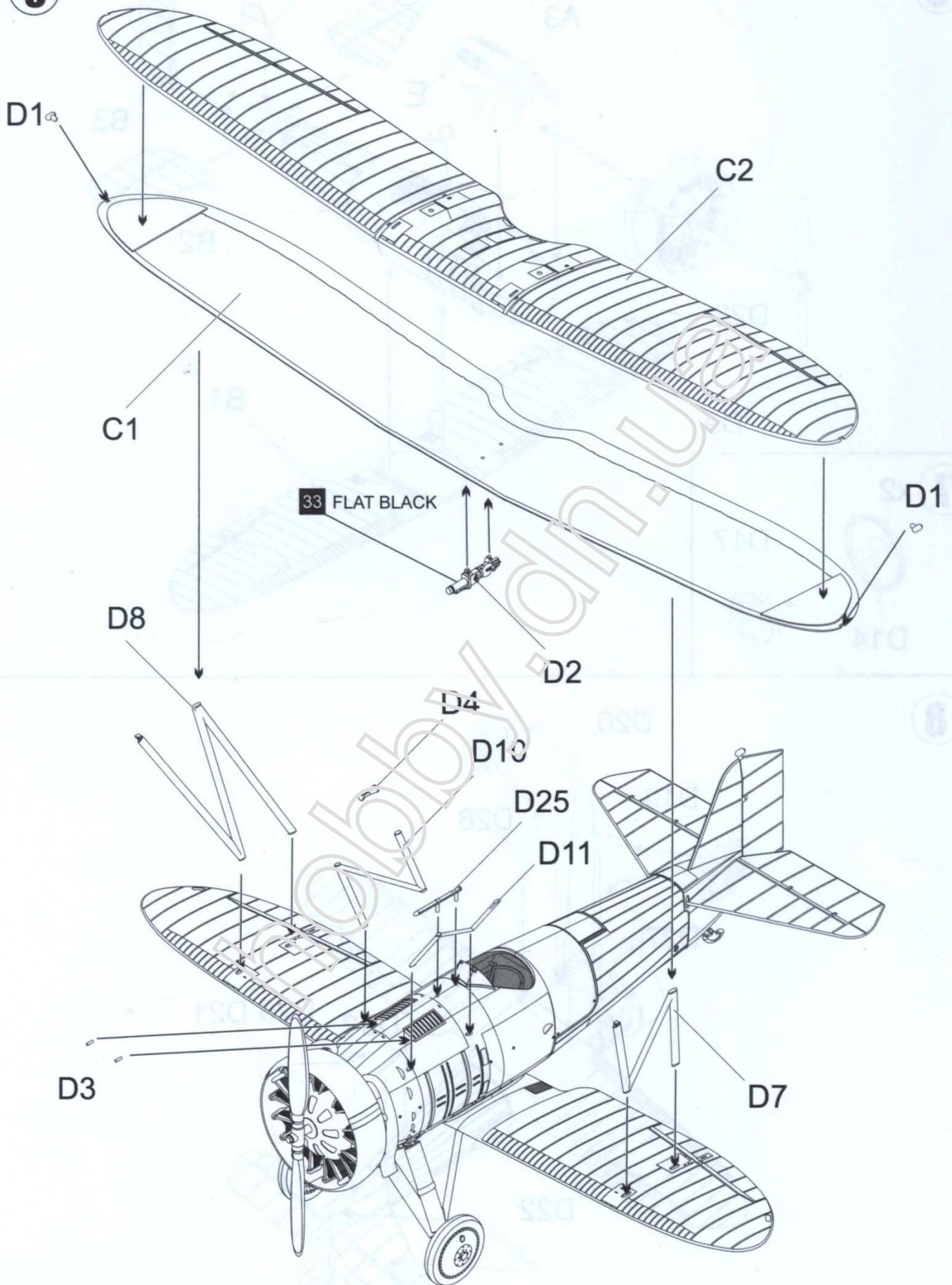
7 x2



8

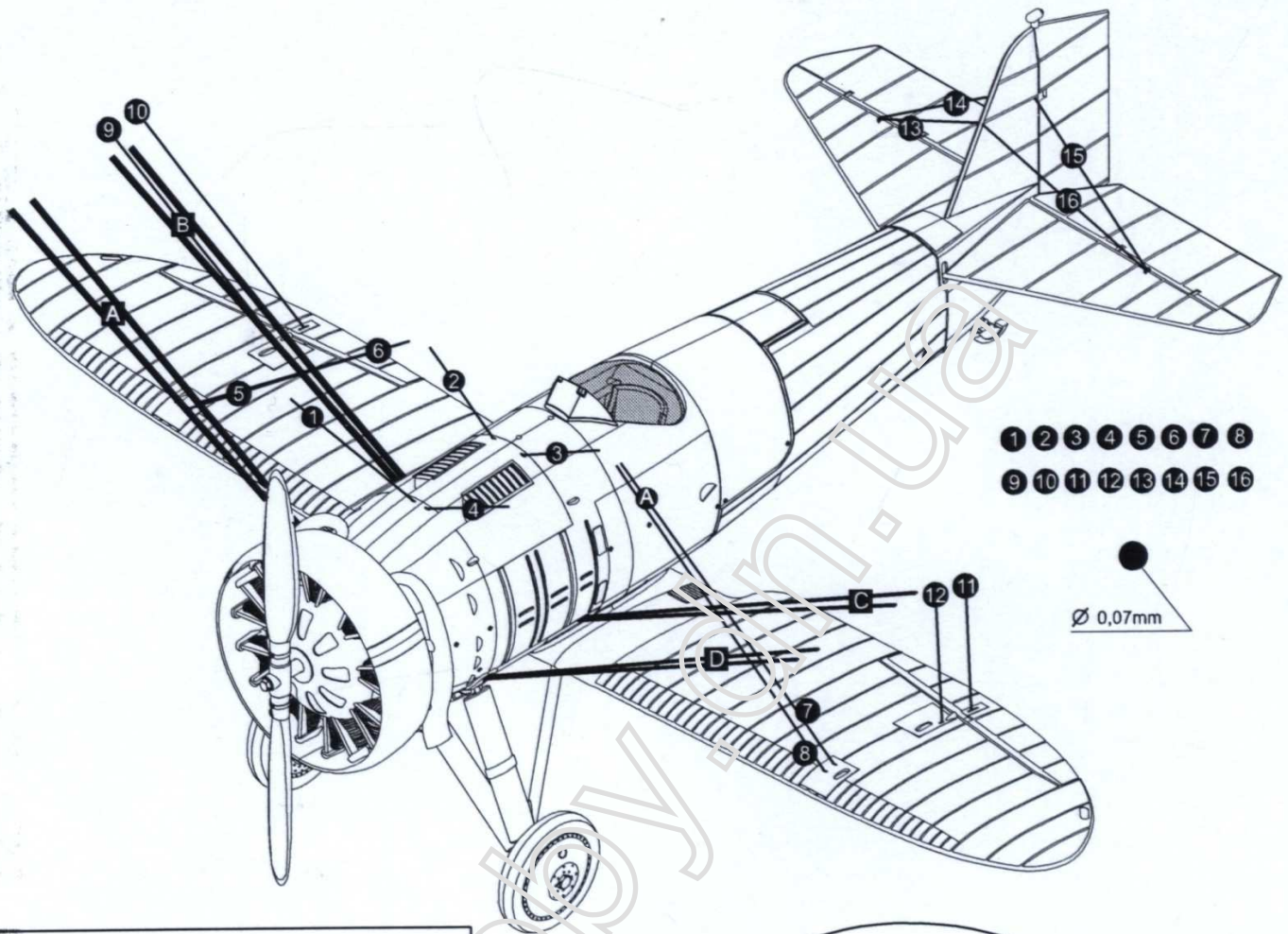


9

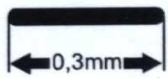


10

Nakajima A2N3 biplane wire bracing system

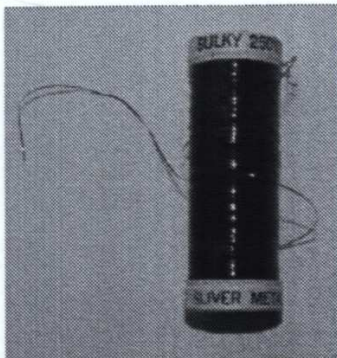


A B C D

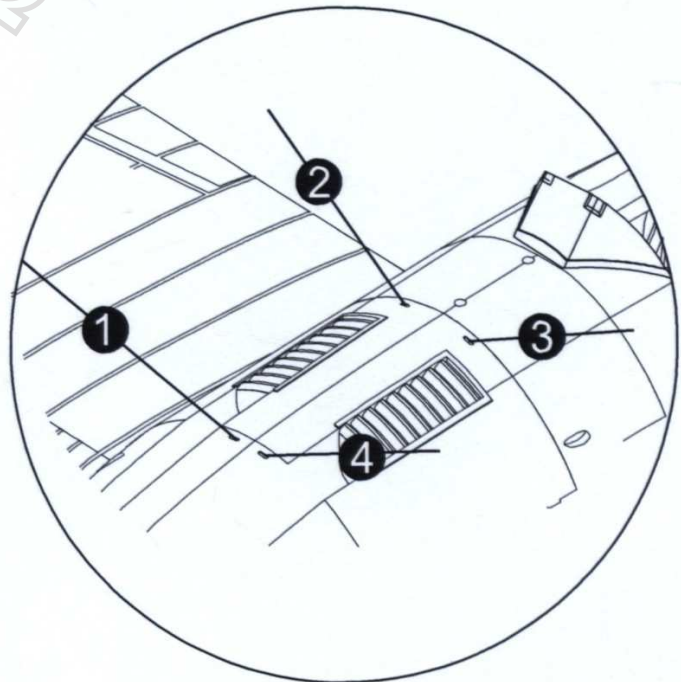


Interplane bracing struts

Ribbon for embroidery



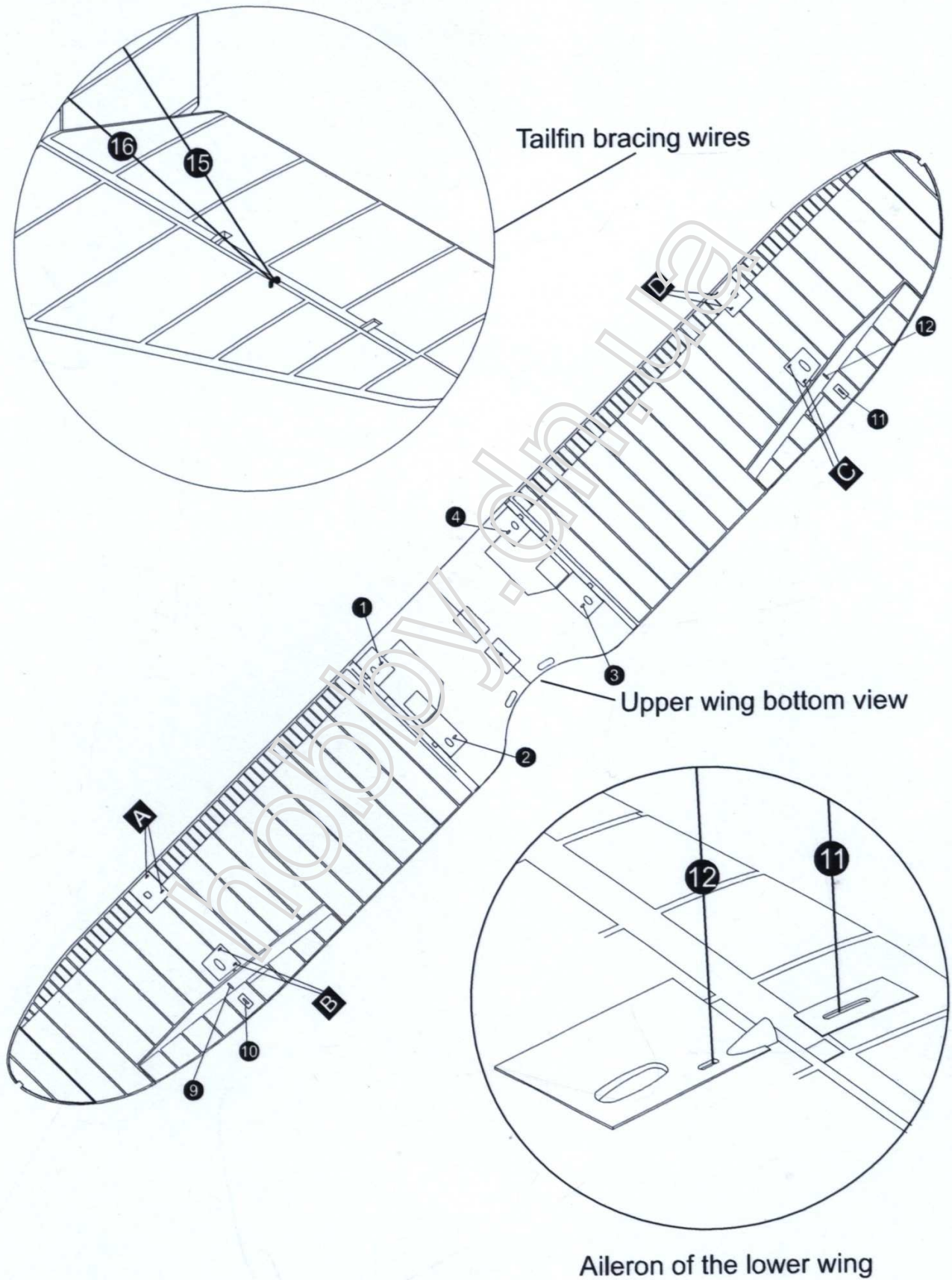
SULKY 250YD



Centre-section bracing wires

11

Nakajima A2N3 biplane wire bracing system



BURNT IRON 61

CLEAR RED 47



47 CLEAR RED

2 BLACK

3 RED

33 FLAT BLACK

1 WHITE

6

4

14

8 SILVER

2 BLACK

47 CLEAR RED

47 CLEAR RED

61 BURNT IRON

33 FLAT BLACK

3 RED

3 RED

11

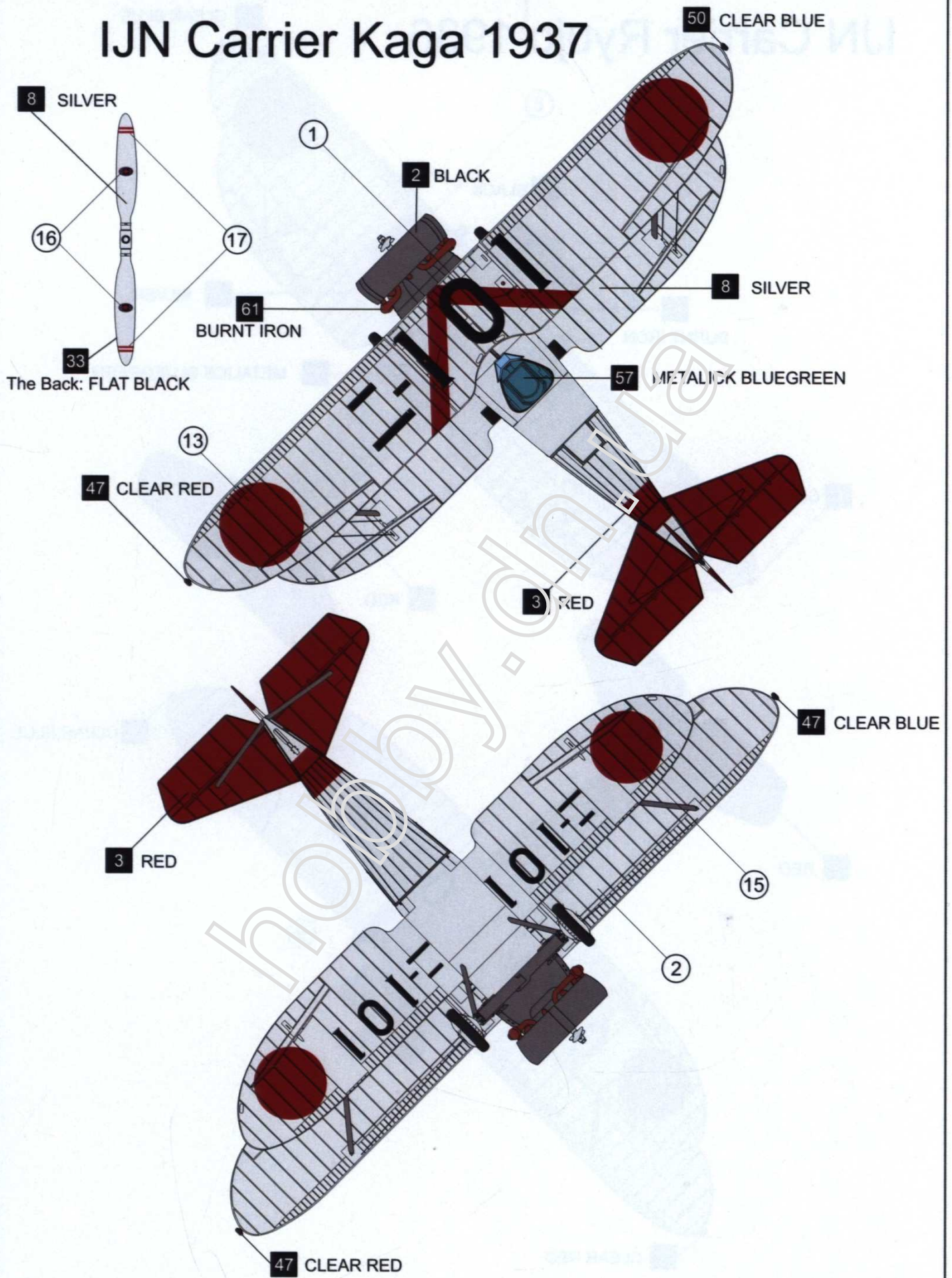
8 SILVER

2 BLACK

61 BURNT IRON

IJN Carrier Ryujo 1936

IJN Carrier Kaga 1937



IJN Carrier Ryuju 1936

