

British Infantry Tank Mk. III

**Valentine
Mk. IV**



****SPECIAL THANKS:** Mr. Ossie Orsbourn-UK Vis
Mr. Scott Taylor-Canada Vis

Vickers-Armstrong started two new tank projects in 1934: high-speed A9 medium tank, and infantry support A10 tank. By 1936, the British Army categorized her tank inventory as Cruiser Tank and Infantry Tank. The A9 was categorized as Cruiser Tank, whereas the A10 was categorized as Heavy Cruiser Tank, because its armour thickness and speed were considered underperformance.

In the meantime, Vickers-Armstrong conducted a private venture by adopting A10 Cruiser Tank chassis with thicker armours, rendering a new Infantry Tank. The project, known as Valentine, was submitted to the War Office on February 1938. At first, the Valentine was not favoured because of limited internal compartment. Yet Europe was under shadow of war at that time, and Valentine Tank largely shared components from A9 and A10 tanks, which became advantage in mass production. Highly reliable, the Valentine saw services in many theaters after mass production; also built under license in Canada and supplied to the USSR. It became the most produced British tank in WWII.

The Valentine Mk.IV entered service from August 1942. No significant differential in appearance with earlier Mk.I/II, the Mk.IV was equipped with an American 138 hp GMC 6004 diesel engine and US-made transmission. Though it had slightly shorter range, it was relatively quieter and highly reliable. The Mk.IV was mainly sent to Russia under Lend-Lease program, and mostly saw services in Southern theater. The Mk.IV was also produced in Canada, known as Mk.VI.

1934年、イギリスのビッカース・アームストロング社は、2種類の新型戦車の開発を開始した。高い速力のA9中戦車と歩兵支援用のA10戦車である。1936年までに、イギリス陸軍は、戦車の項目を巡航戦車と歩兵戦車とに分類した。A9は巡航戦車に分類されたが、A10は装甲厚と速度が不十分だったため、重巡航戦車として分類された。

その間にも、ビッカース・アームストロング社では自主的にA10戦車の車体の装甲を厚くして新たに歩兵戦車とする作業を進めていた。バレンタイン歩兵戦車と命名される事になるこの戦車の計画は、1938年2月に英国陸軍省に提出された。車内空間の狭さから、当初は不評であったが、折りしもヨーロッパに戦争の影が近づいてきており、また部品の多くがA9、A10戦車と共通であったため量産に有利と判断され、採用が決定した。バレンタイン歩兵戦車は高い信頼性によって、多くの戦場で使用され、カナダではライセンス生産が行われ、ソビエト軍に対しても供給された。最終的に第二次大戦中に最も多く生産されたイギリス戦車となったのである。

バレンタインMk.IV戦車は、1942年8月に配備が開始された。初期の生産型であるMk. I / Mk. IIとは、外見上は大きな違いはなかったが、アメリカ製の138馬力GMC6004ディーゼルエンジンと、同じくアメリカ製の変速機を搭載していた。そのため、従来型と比較して若干の航続距離の低下はあったものの、静粛性が向上し、なにより機械的に高い信頼性を得ることができたのだ。生産されたMk.IVの多くは、レンドリース法により、ソビエト軍に供与され、そのほとんどが南部方面軍で使用され、ドイツ軍との戦闘に投入されたのである。また、Mk.IVは、カナダでも製造され、その型はMk. VIと呼称された。

自1934年起，英國的維克斯·阿姆斯壯公司著手開發兩種新型戰車，分別為能進行高速運動的A9中型戰車與用於步兵支援的A10戰車。到了1936年，陸軍開始依戰車的性能將所屬的戰車區分為巡航戰車與步兵戰車。A9被歸類於巡航戰車，而A10卻因裝甲厚度與速度皆不能達到預期，僅勉強的將其歸類為重巡航戰車。

即此同時，維克斯·阿姆斯壯公司將正處於開發中的A10巡航戰車底盤，以增厚裝甲的方式，獨自開發一款步兵戰車，在1938年2月將這個被命名為華倫坦的戰車計畫提交給英國戰爭部，雖然因為砲塔與車內空間的狹小，華倫坦步兵戰車最初並未獲得青睞。但由於此時歐洲的情勢急需大量戰車的布署，華倫坦因為大量沿用A9與A10的零組件，在量產上亟具優勢。由於性能可靠，在量產後大量配備於各個戰域之中，並又授權加拿大生產，再根據租借法案軍援蘇聯，因此華倫坦成為大戰期間英國生產數量最高的戰車。

1942年8月華倫坦Mk.IV型開始服役，此型與稍早的Mk.I/II在外觀上的差異不大，但改用美國通用汽車公司生產的138匹馬力柴油發動機，雖然續航行程縮短了，但相對卻比較安靜與可靠。Mk.IV型主要軍援蘇聯，由於供應路線的關係，主要活躍於南部戰線。此外也授權加拿大生產，加拿大生產的版本被另外稱做Mk.VI。

Illustration:圖示說明



Method For Applying Decals:

1. Clean Model Surface With Wet Cloth.
2. Cut Out Of Decal Sheet And Dip Them In Warm Water For 15 Seconds.
3. Place it on proper position on model.
4. Slide off base paper leaving decals On Model With Wet Finger Tip.
5. Move Decals To Exact Position, Push Out Excess Water Under Decal With Soft Cotton Cloth.
6. When Decals Get Dry Then Complete.

水貼紙使用說明:

- 1.將模型表面擦乾淨
- 2.將貼紙剪下泡入溫水中浸泡約15秒
- 3.將泡濕之貼紙取出置於欲貼處旁
- 4.用指尖輕推貼紙表面使其滑出底紙
- 5.將貼紙調整至適當位置並輕擦拭水份
- 6.待其自然乾燥後即完成

Color list: 塗料表

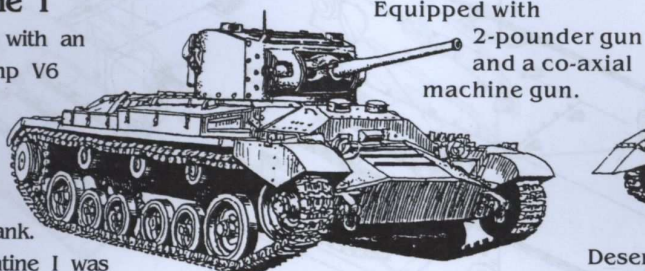
Color	Brand	Gunze Sangyo			Humbrol	Revell	Lifecolor
		Hobby Color	Mr.Color	Mr.Color Spray			
Black	黑	H2	C2	J2	21	7	LC52
Dark sea gray	深海灰	H75	C25		27		UA93
Flat black	消光黑	H12	C33	J33	33	8	LC02
Flat white	消光白	H11	C62	J62	34	05	LC01
Khaki green	卡其綠	H80	C54				
Red brown	紅褐	H47	C41		160	383	UA085
Sail color	帆布	H85	C45		28		UA099
Silver	銀	H8	C8	J8	11	90	LC74
Smoke gray	煙灰	H95	C101				
Steel	黑鐵	H18	C28	J28	53	91	LC76
Tire black	輪胎黑	H77	C33+C62		85	302	LC02
White	白	H1	C1	J1	22	4	LC51
Wood brown	木棕	H37	C43		169		FS12

Infantry Tank Mk.III Valentine

Valentine I

Equipped with an AEC 135hp V6 petrol engine, based on A10 Cruiser Tank.

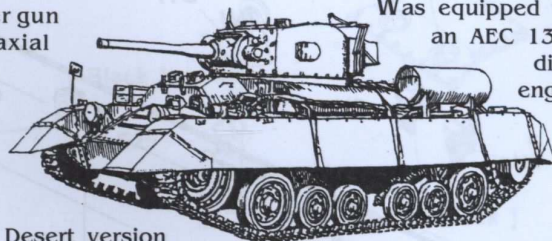
The Valentine I was designed to support Matilda Infantry Tank.



Equipped with 2-pounder gun and a co-axial machine gun.

Valentine II

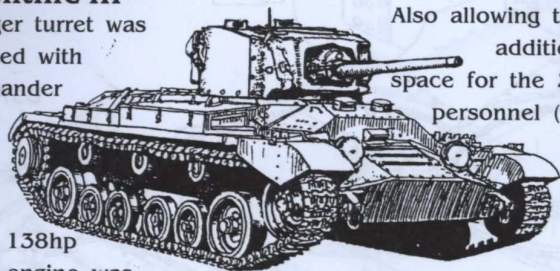
Was equipped with an AEC 131hp diesel engine.



Desert version came with skirts on sides and dispensable external fuel tank.

Valentine III

A larger turret was installed with commander exit.

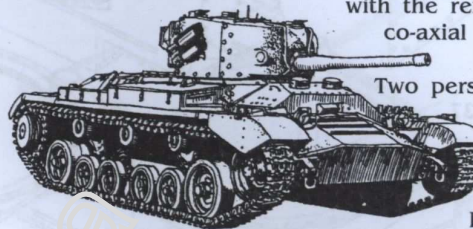


Also allowing the addition space for the 3rd personnel (loader).

GMC 138hp diesel engine was installed after Mk. IV. Most of them were supplied to other countries for aid. A co-axial machine gun provided by the Soviet was also equipped.

Valentine VIII

Based on Mk. III, equipped with a 6-pounder gun, with the removal of co-axial machine gun.

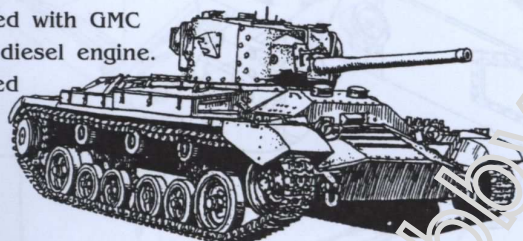


Two personnel in the turret.

Produced from March 1942.

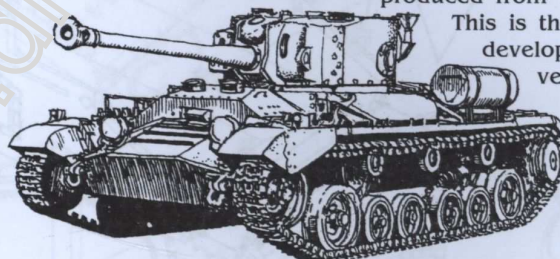
Valentine X

Equipped with GMC 165hp diesel engine. Produced from 1943.



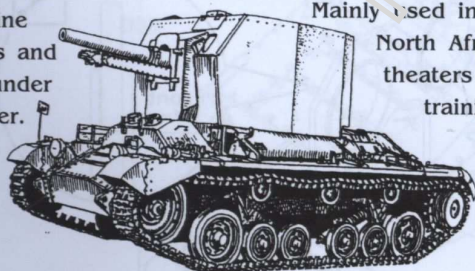
Valentine XI

Based on Mk. X with a new 75mm gun, produced from 1943. This is the last development version.



Bishop self-propelled howitzer

A combination of Valentine chassis and 25-pounder howitzer.



Mainly used in the North African theaters and trainings.

Archer Tank Destroyer

Equipped with the 17-pounder gun, which is able to confront German 88mm gun. The gun barrel is mounted to the rear. Production commenced from March 1944, 665 units were produced.



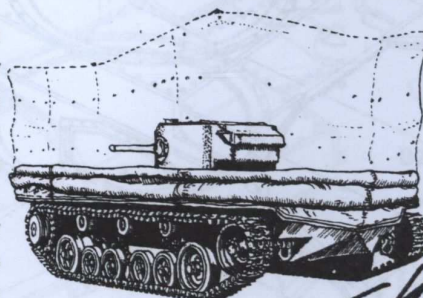
Valentine DD

The Duplex Drive (DD) system is an amphibious swimming tank version. It worked by erecting a 'flotation screen' around the tank.



rubber tubes to give the curtain rigidity.

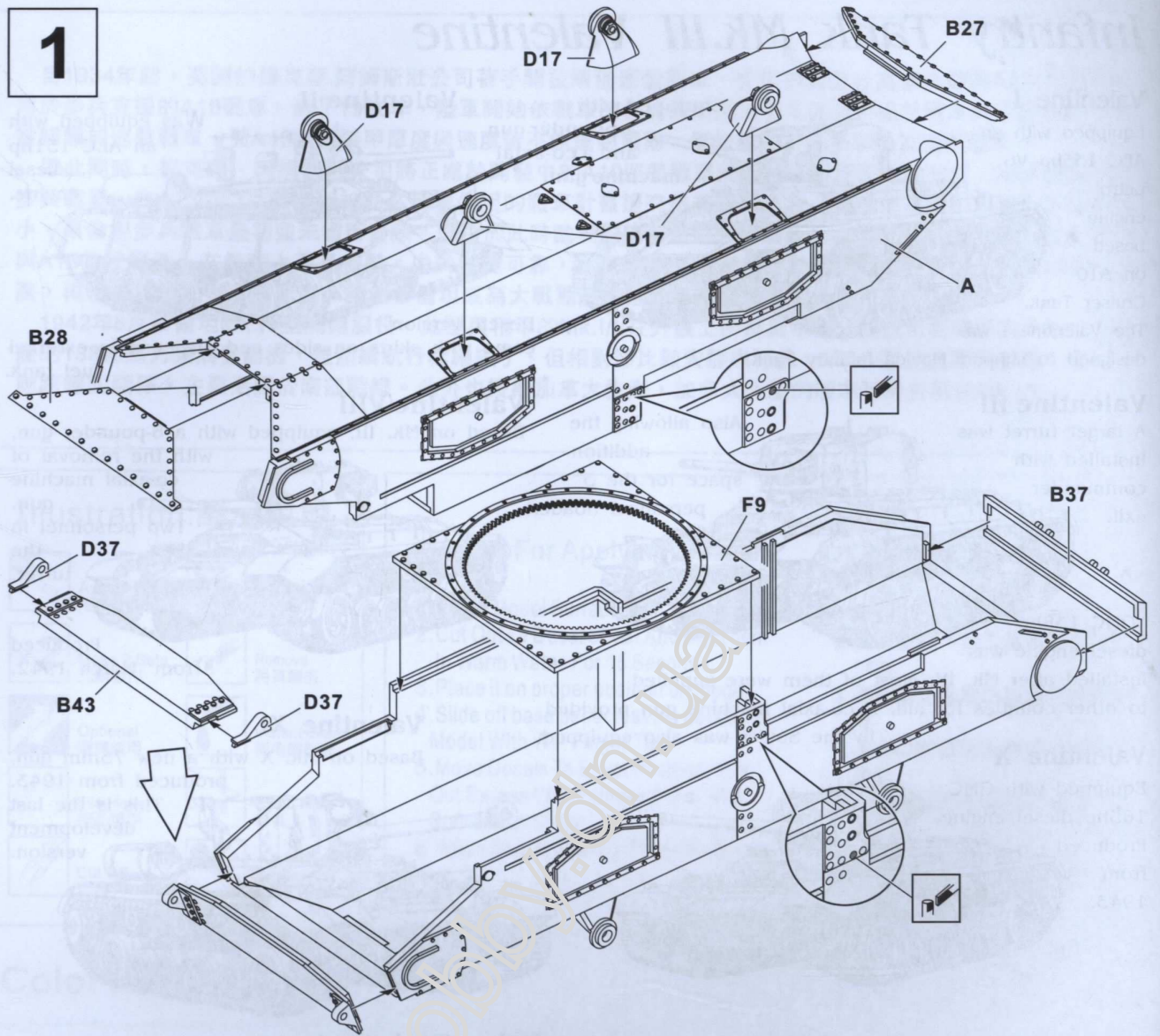
It comes with a propeller powered by the tank's engine to drive them in the water. Compressed air bottles and pipes are to inflate the



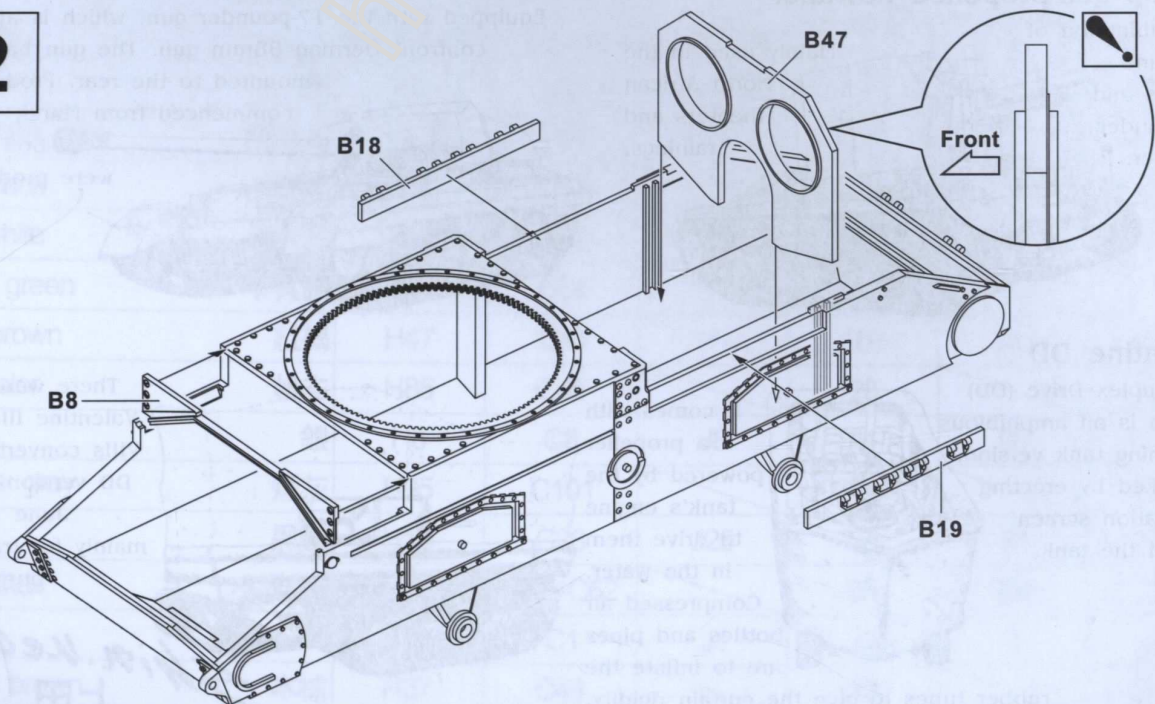
There were 685 Valentine IIIs and IIIs converted to DD version since June 1942, mainly for training purposes.

Shin.ueda
上田 信

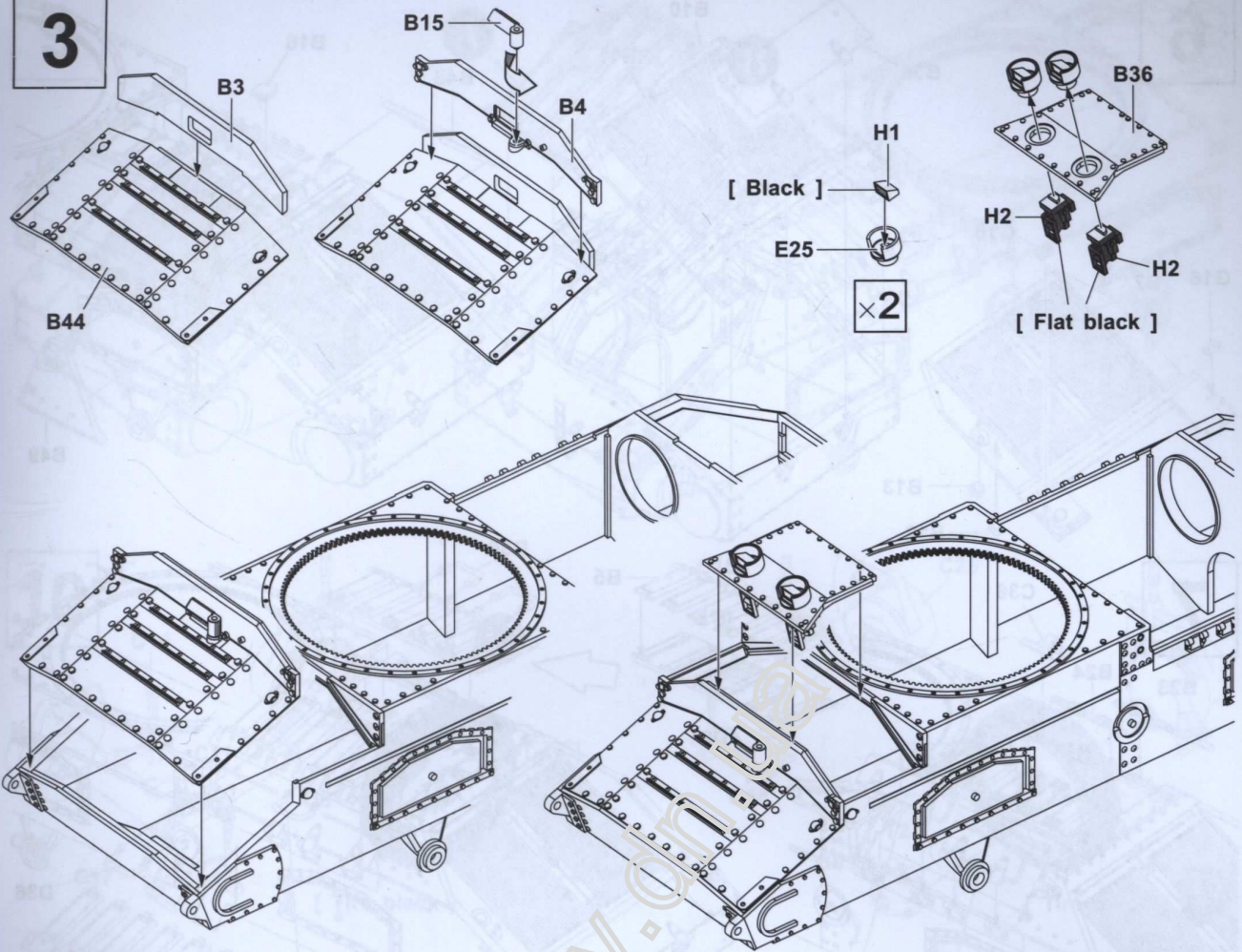
1



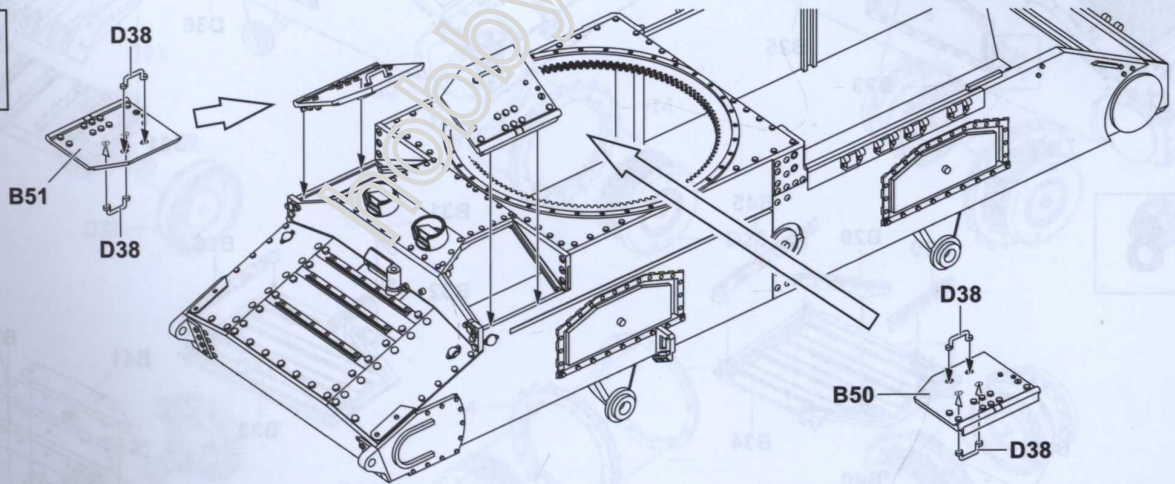
2



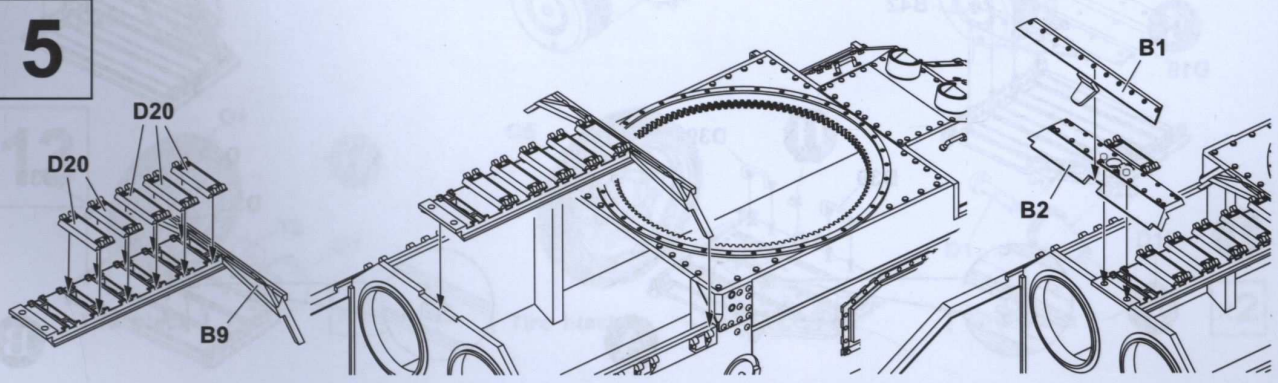
3



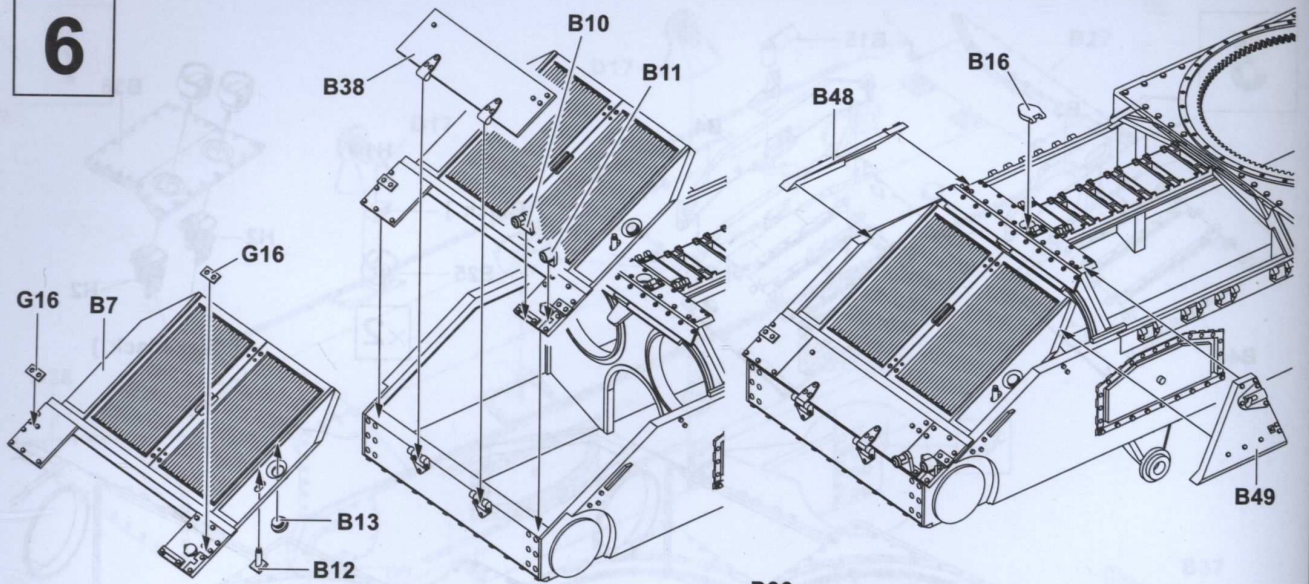
4



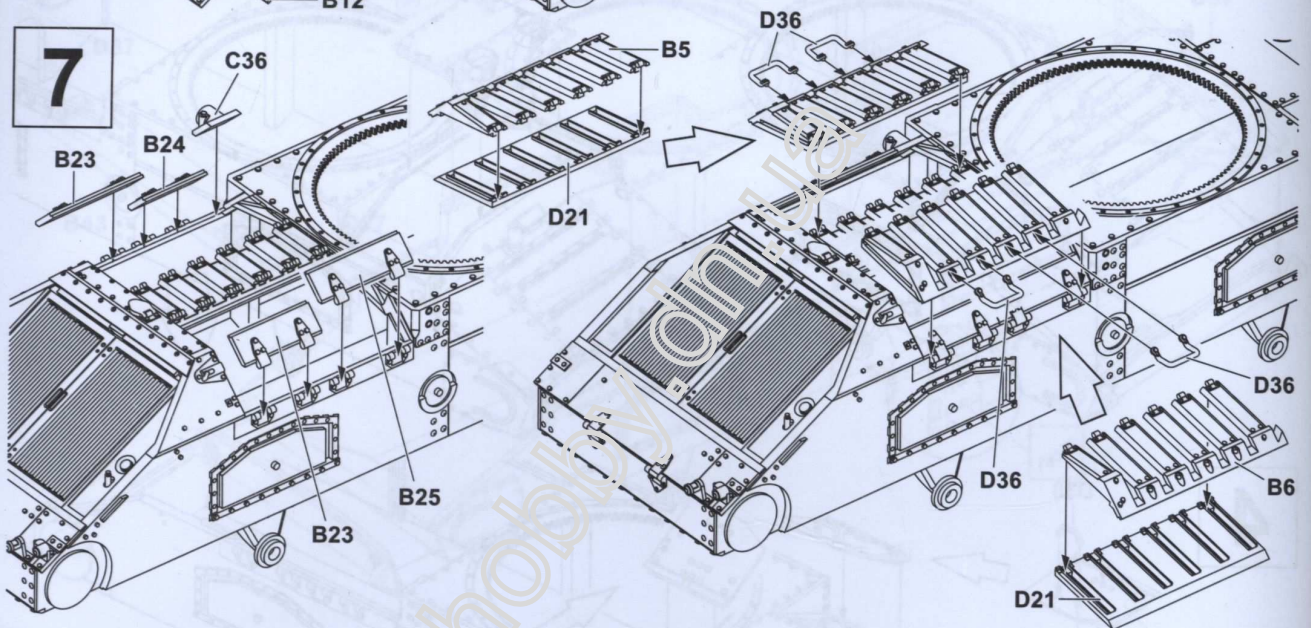
5



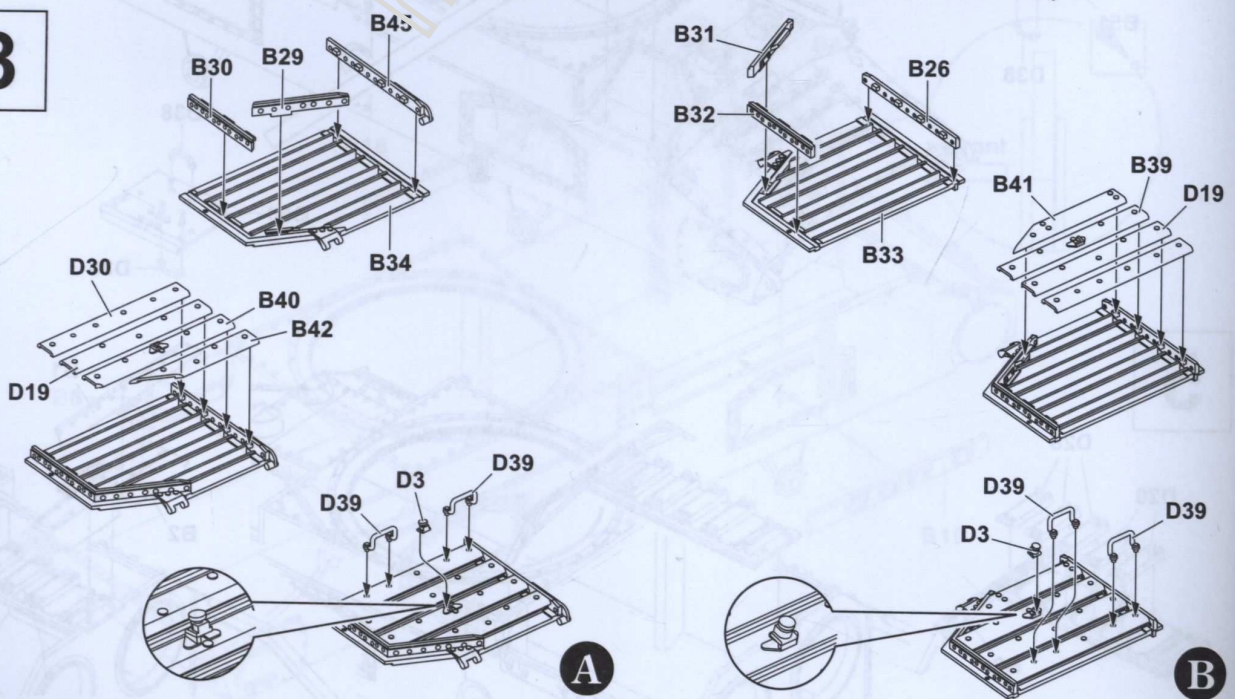
6



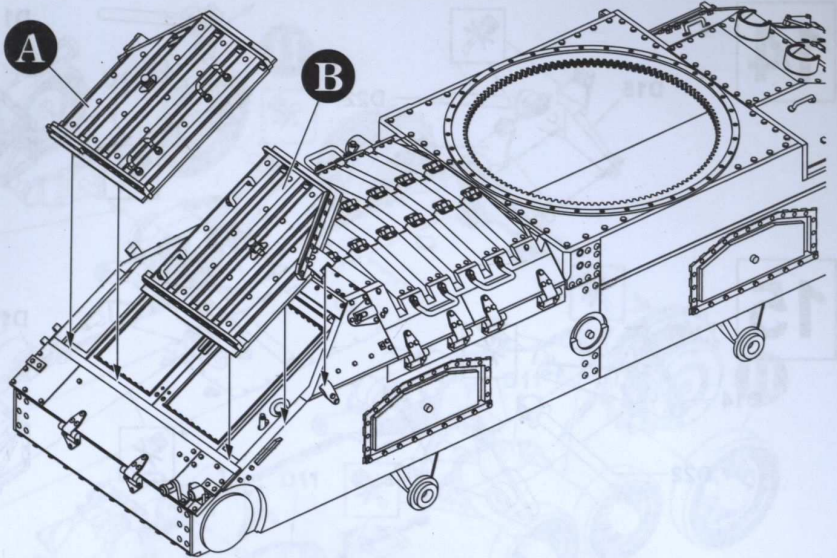
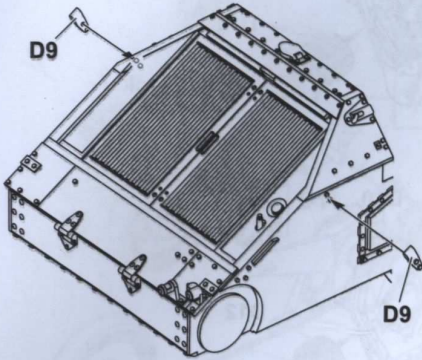
7



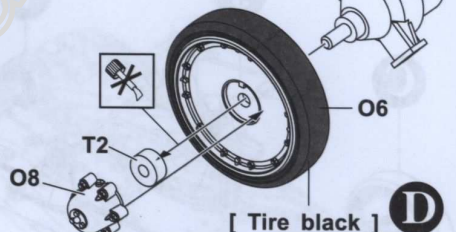
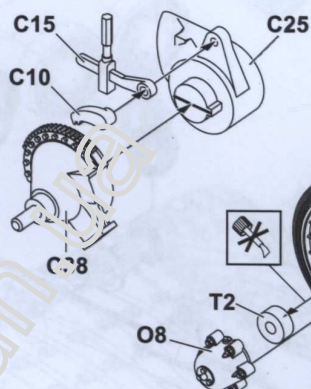
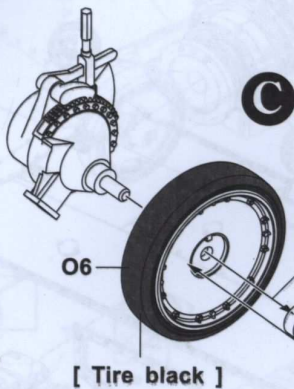
8



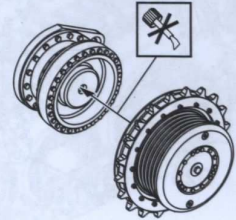
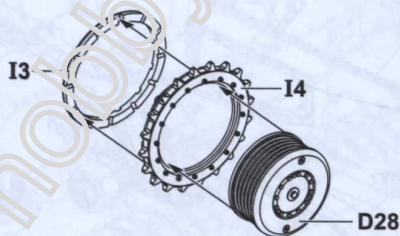
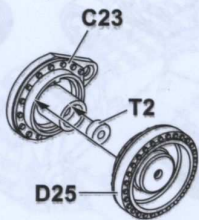
9



10

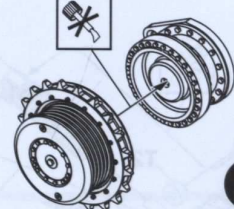
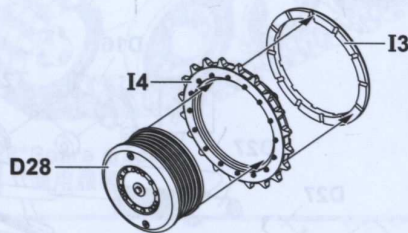
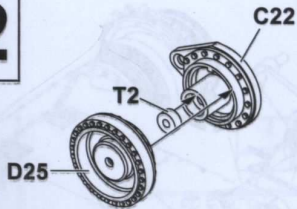


11



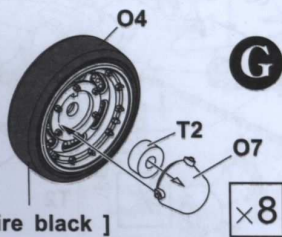
E

12



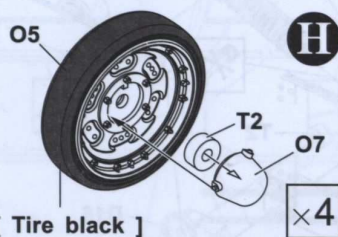
F

13



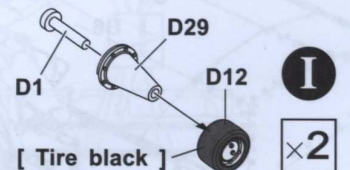
G

×8



H

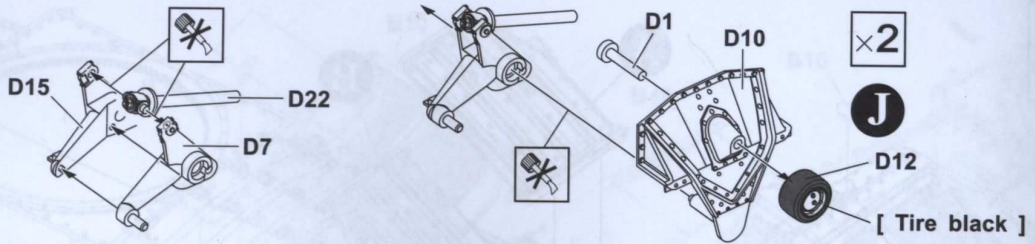
×4



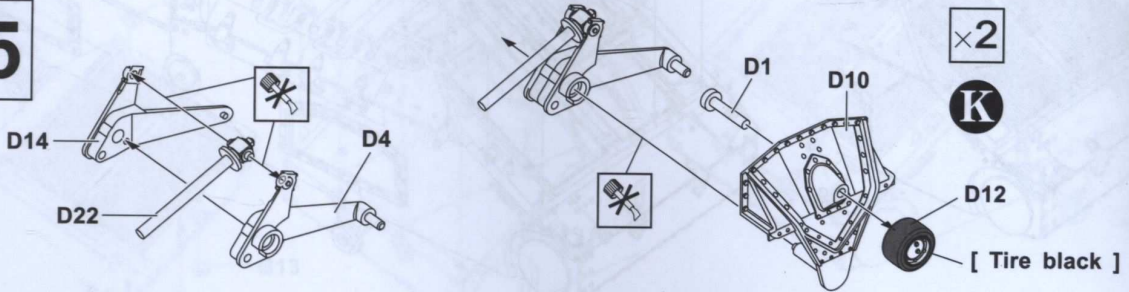
I

×2

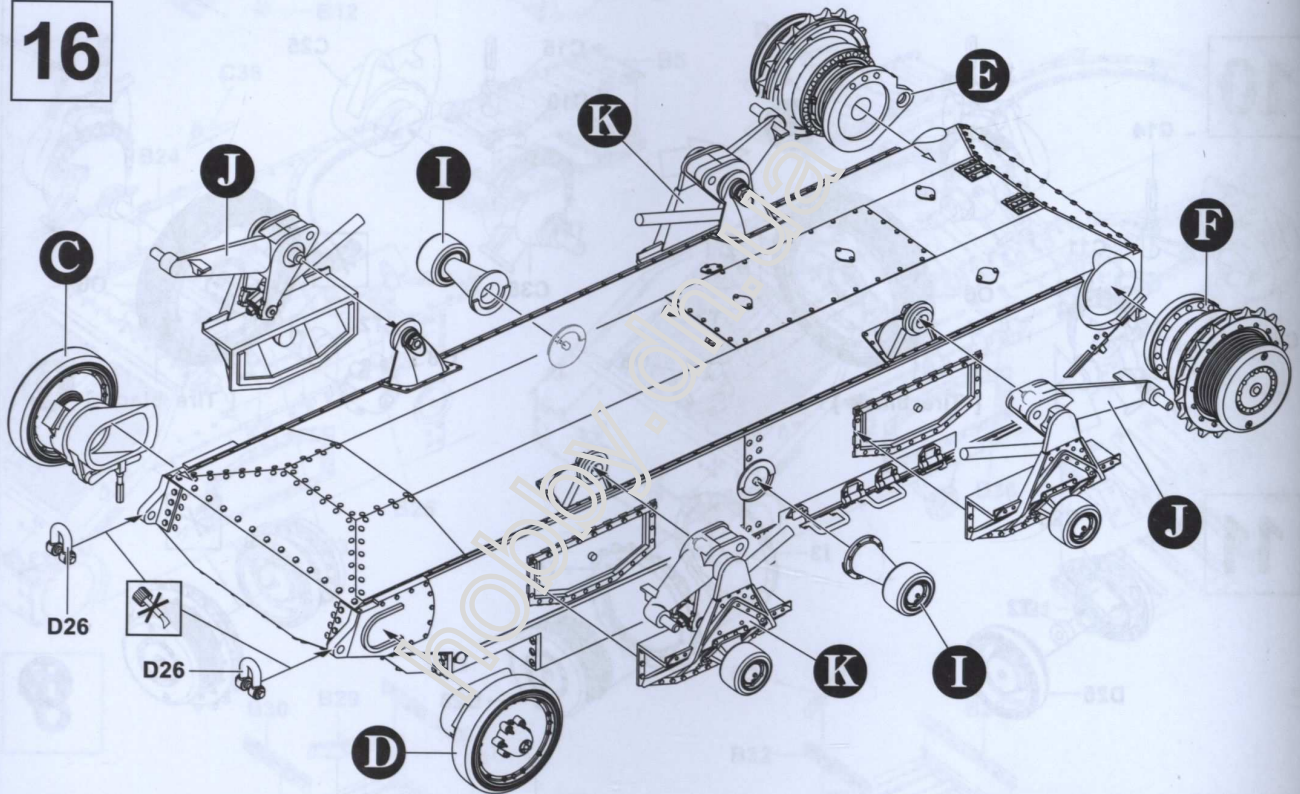
14



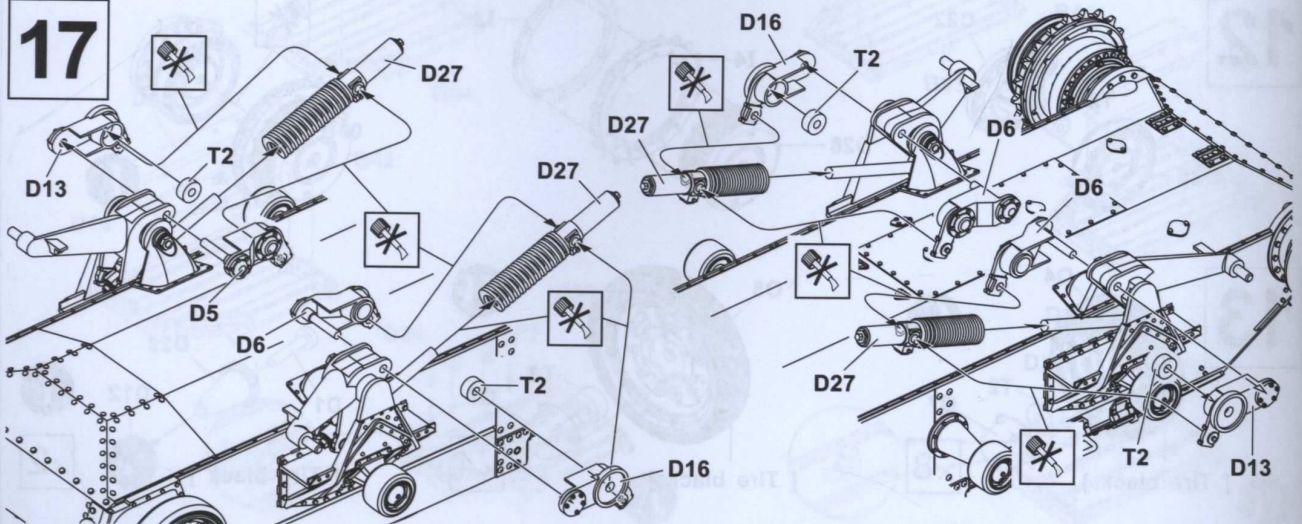
15



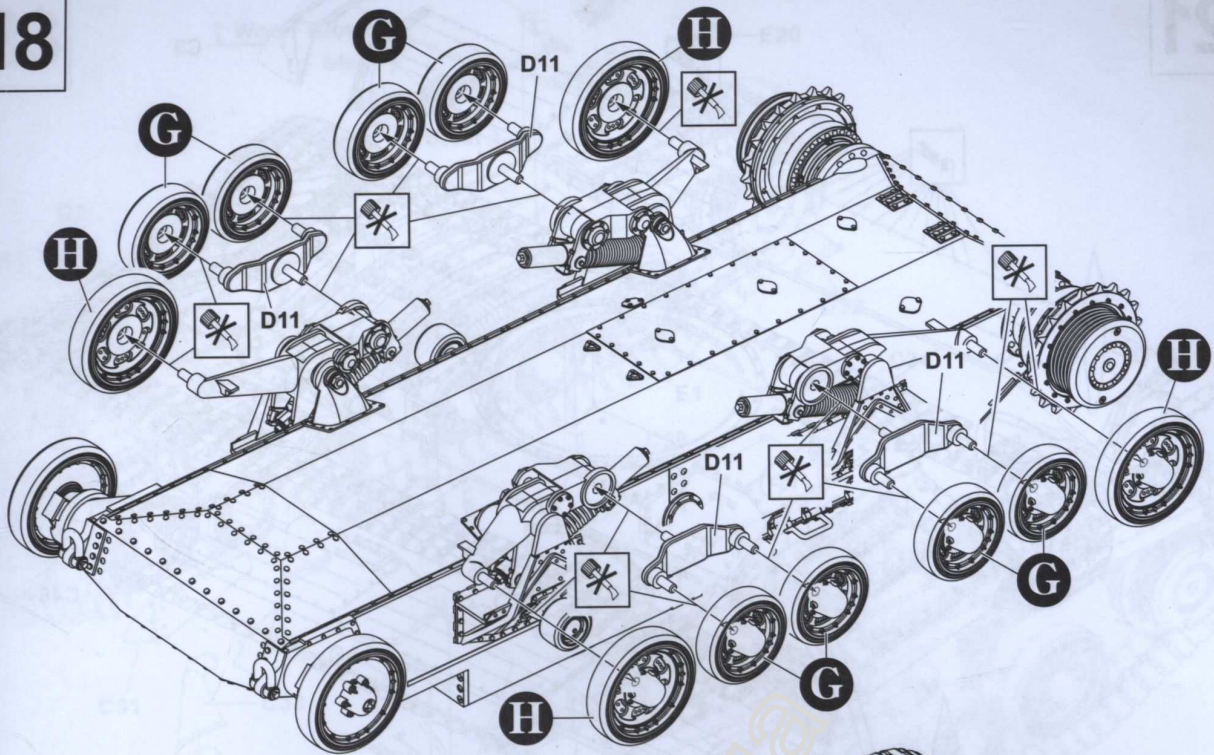
16



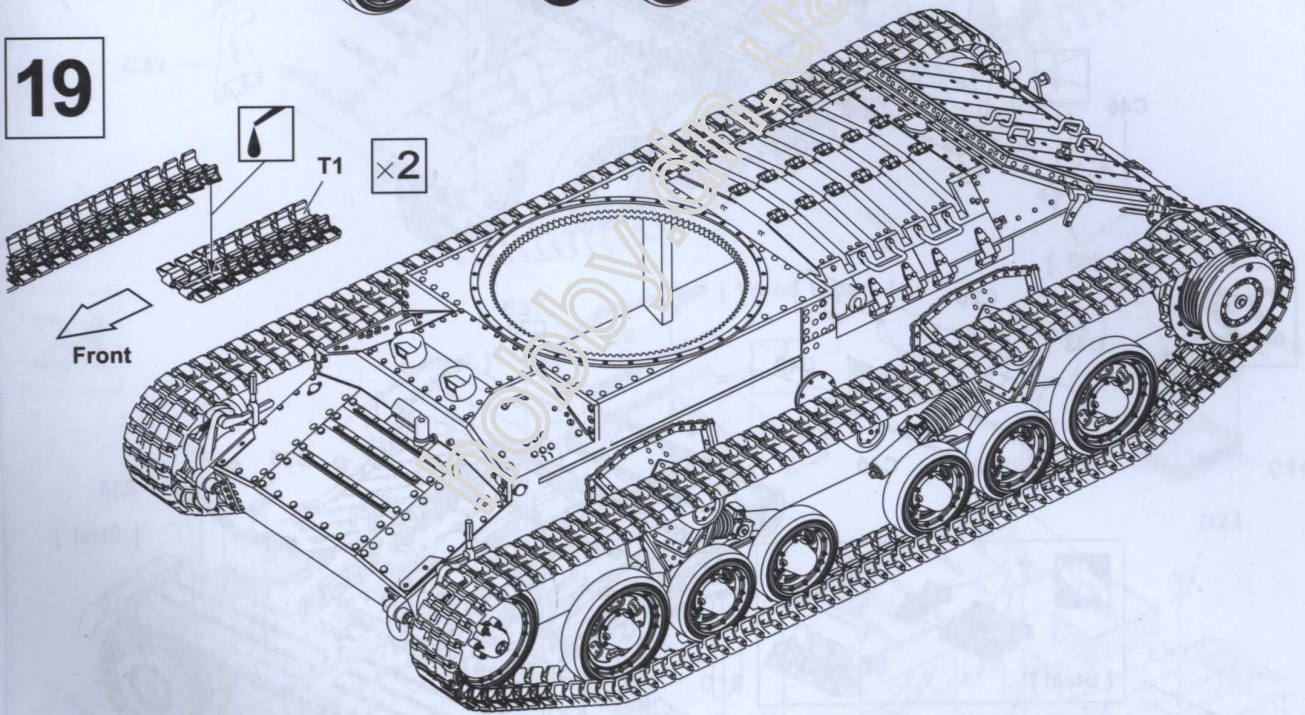
17



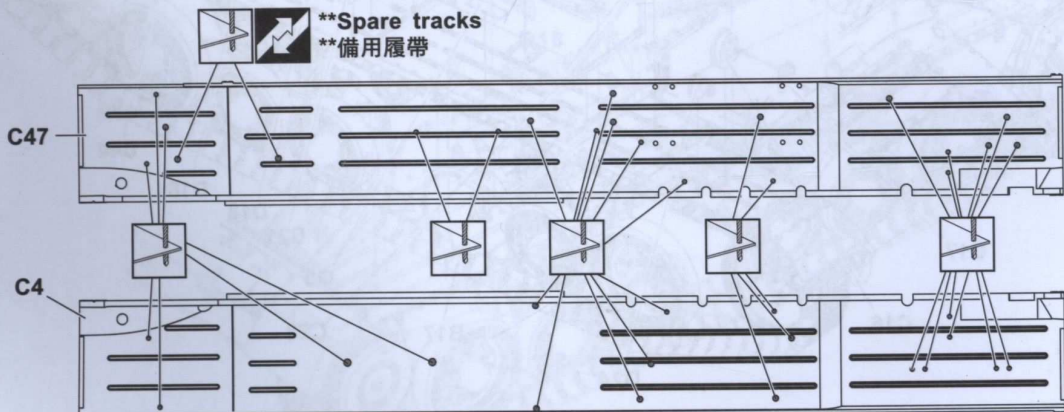
18



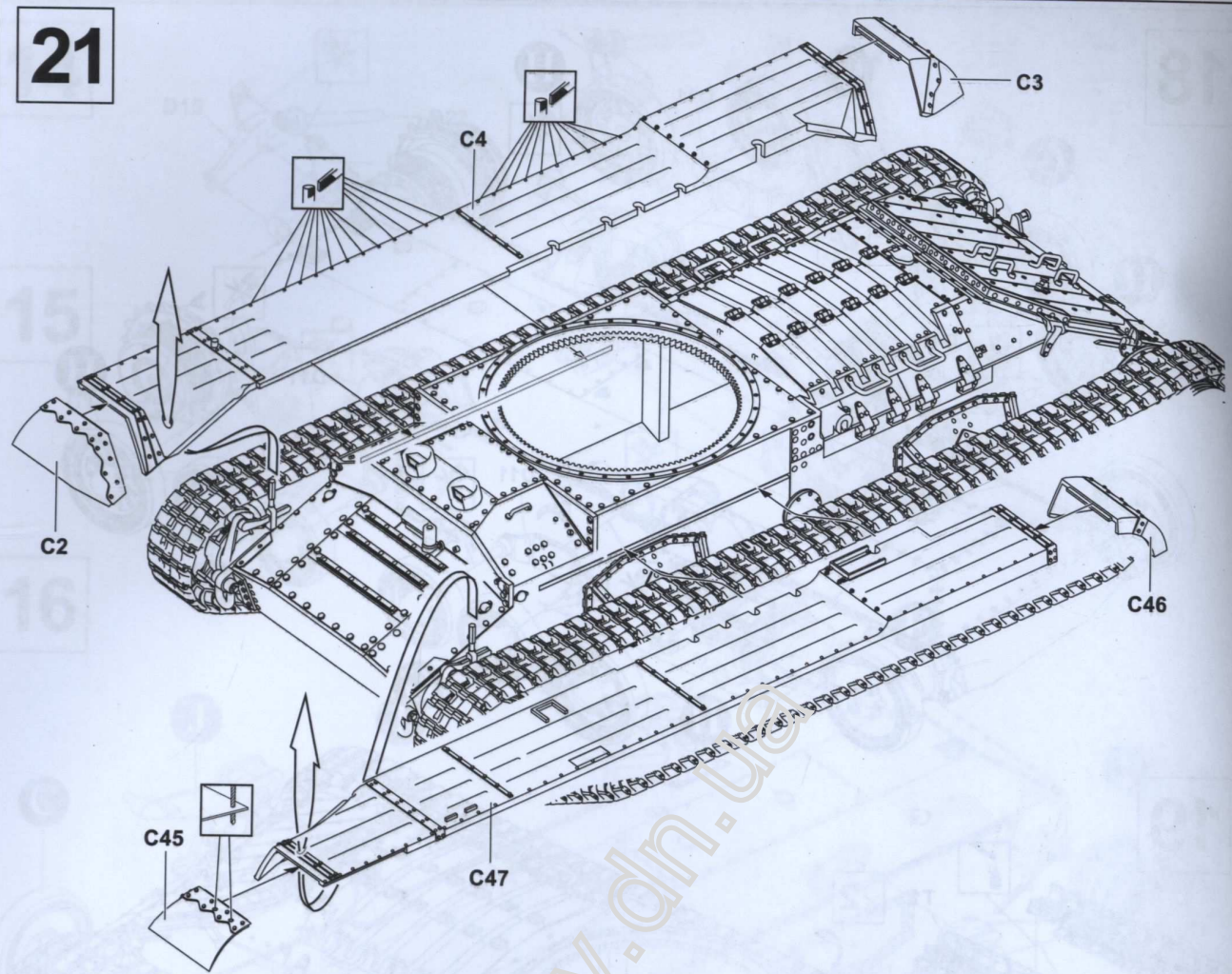
19



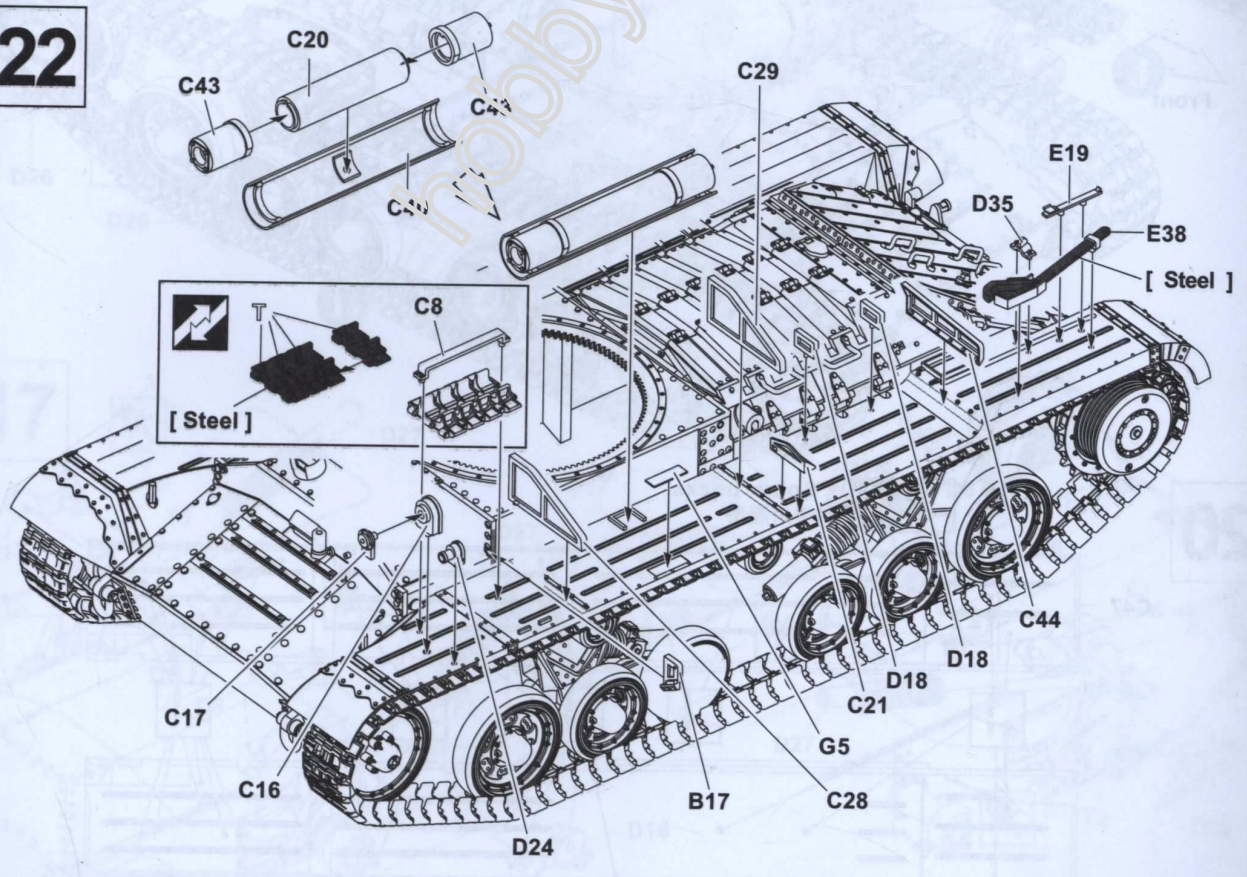
20



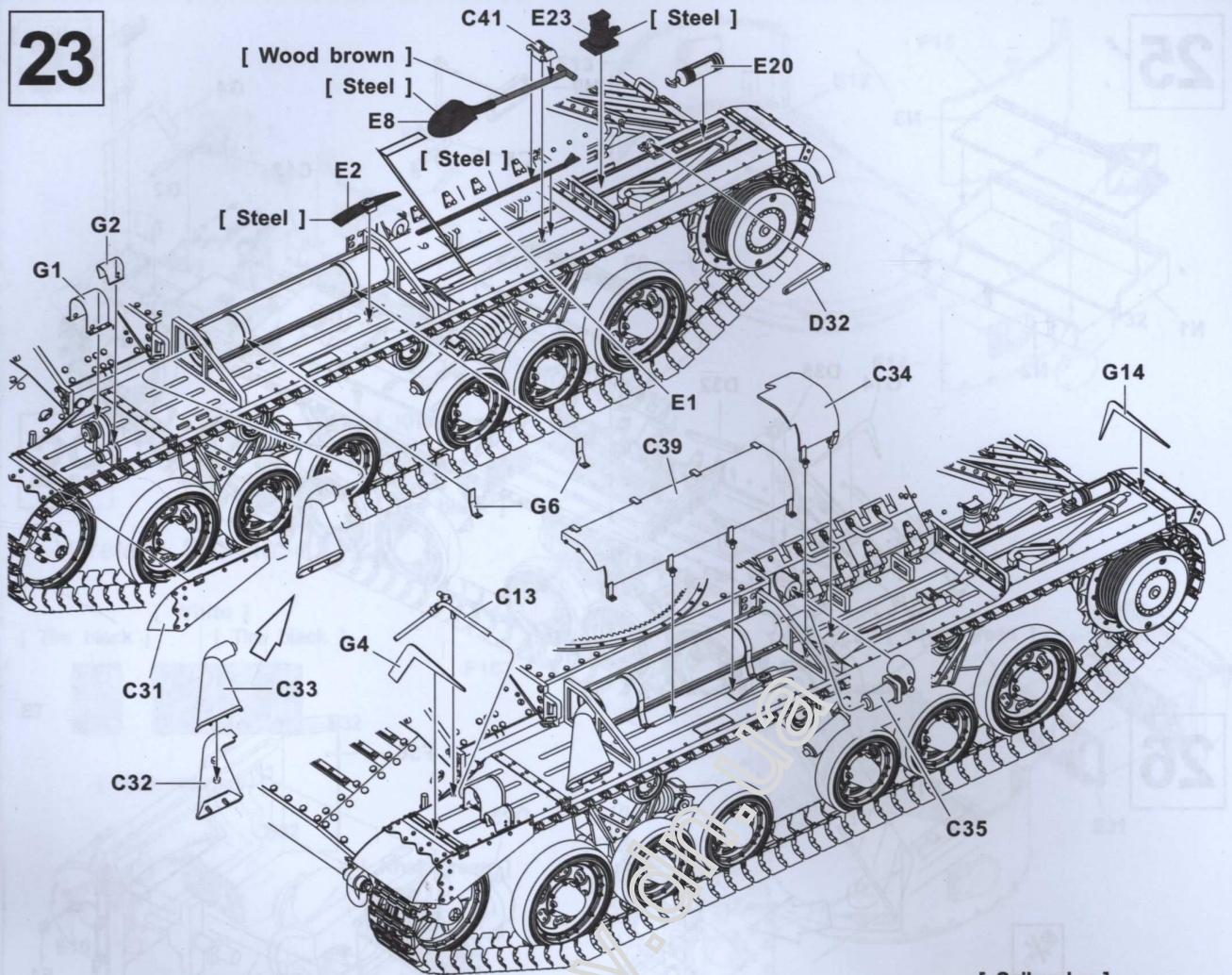
21



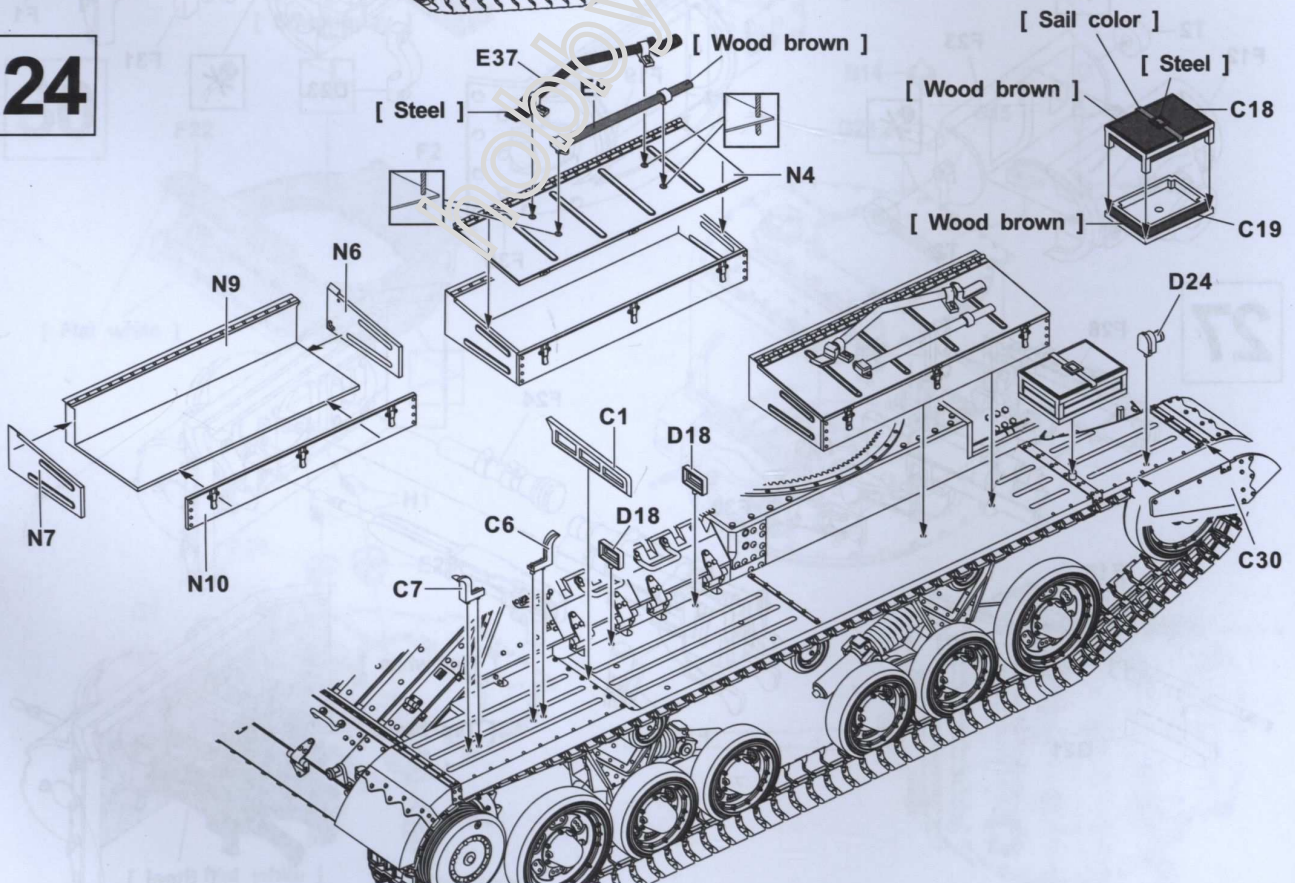
22



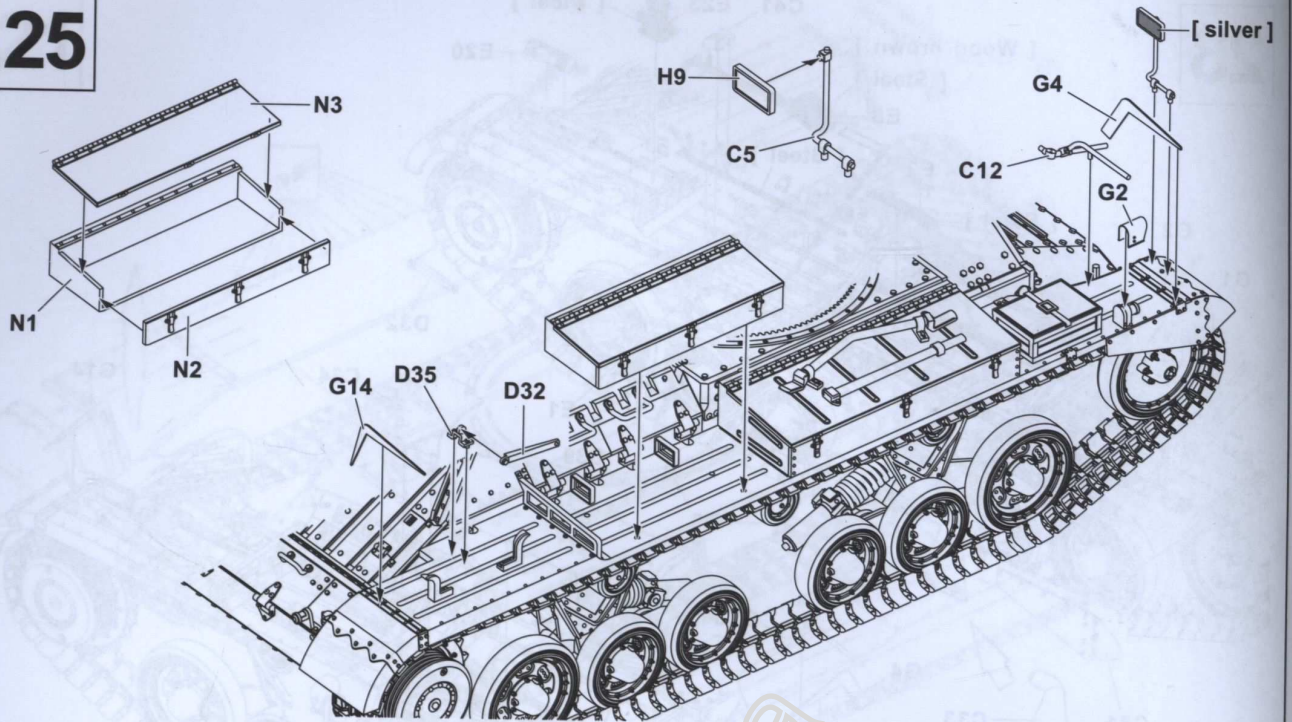
23



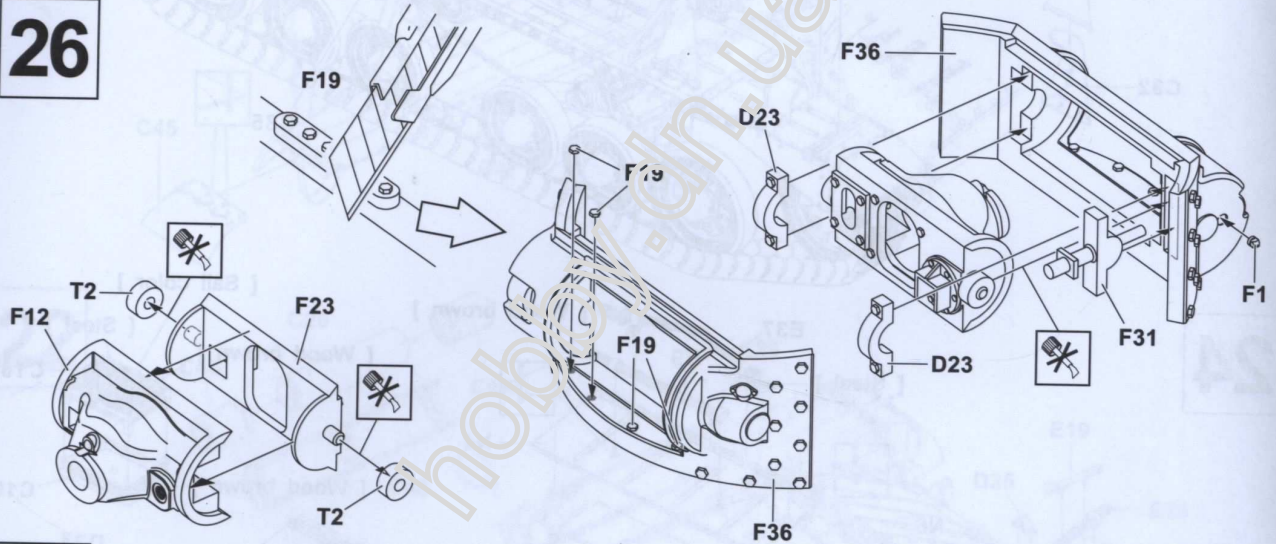
24



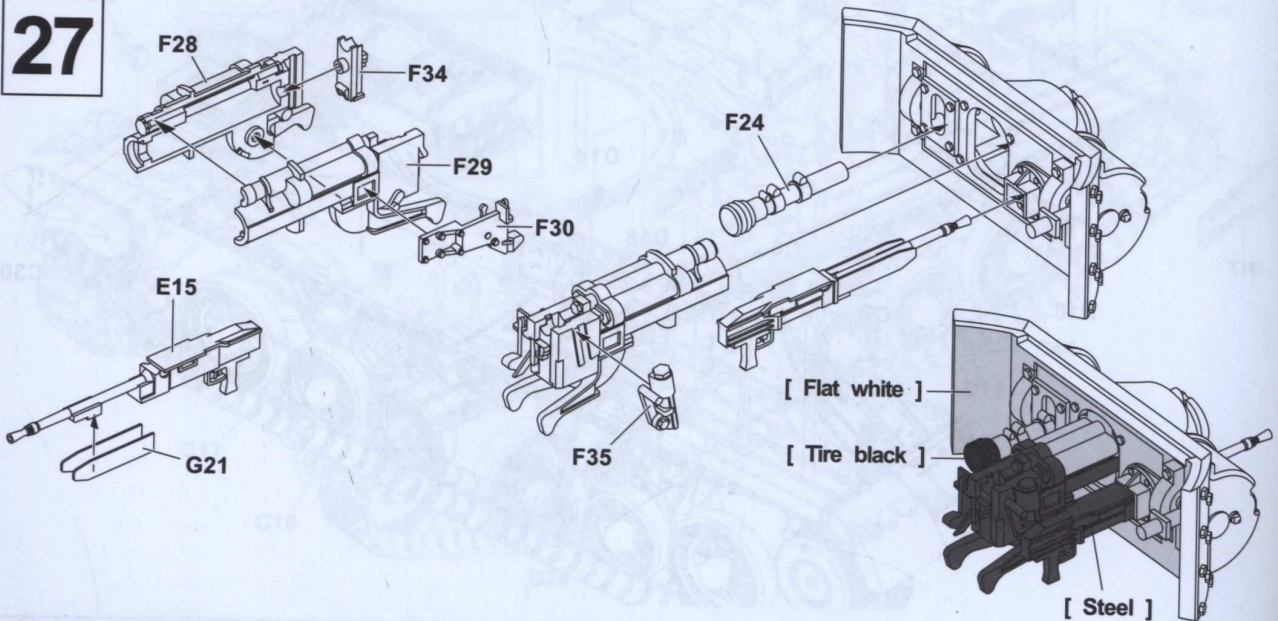
25



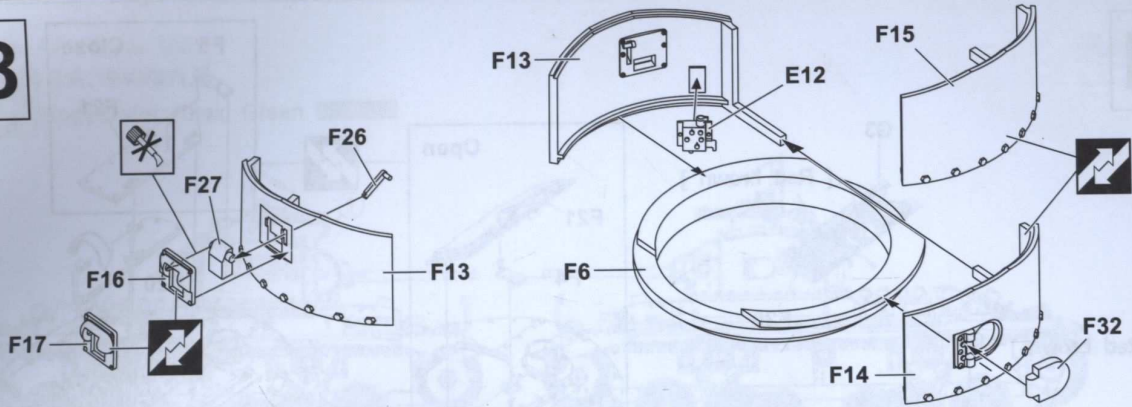
26



27

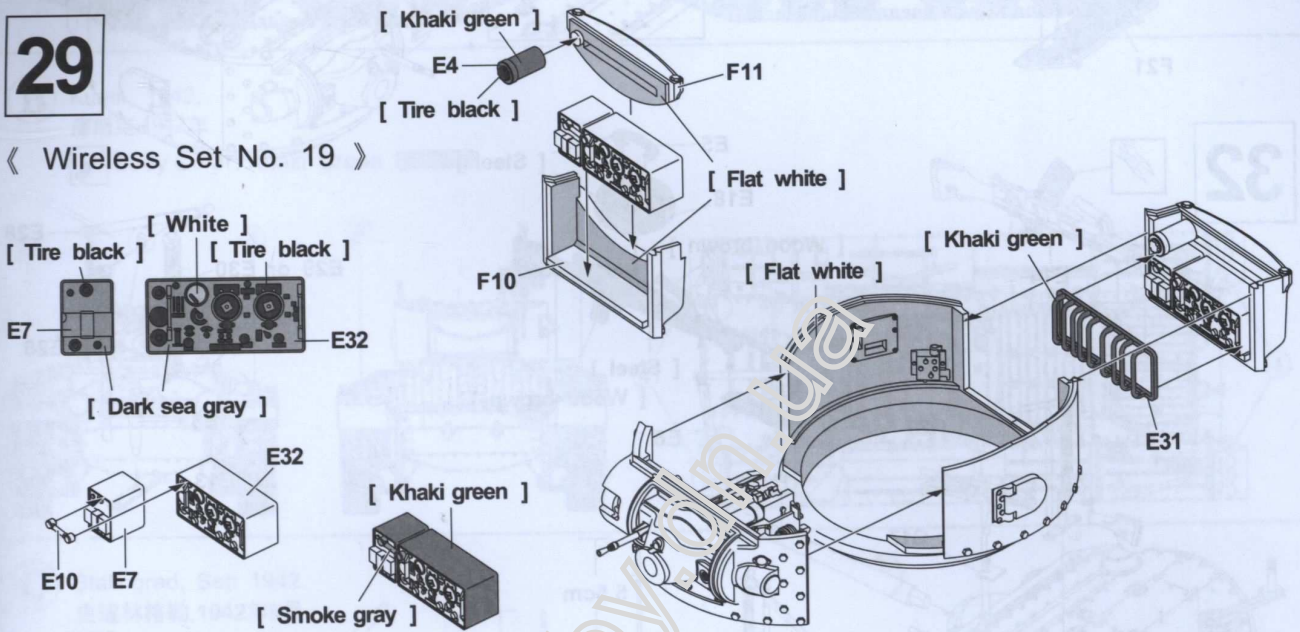


28

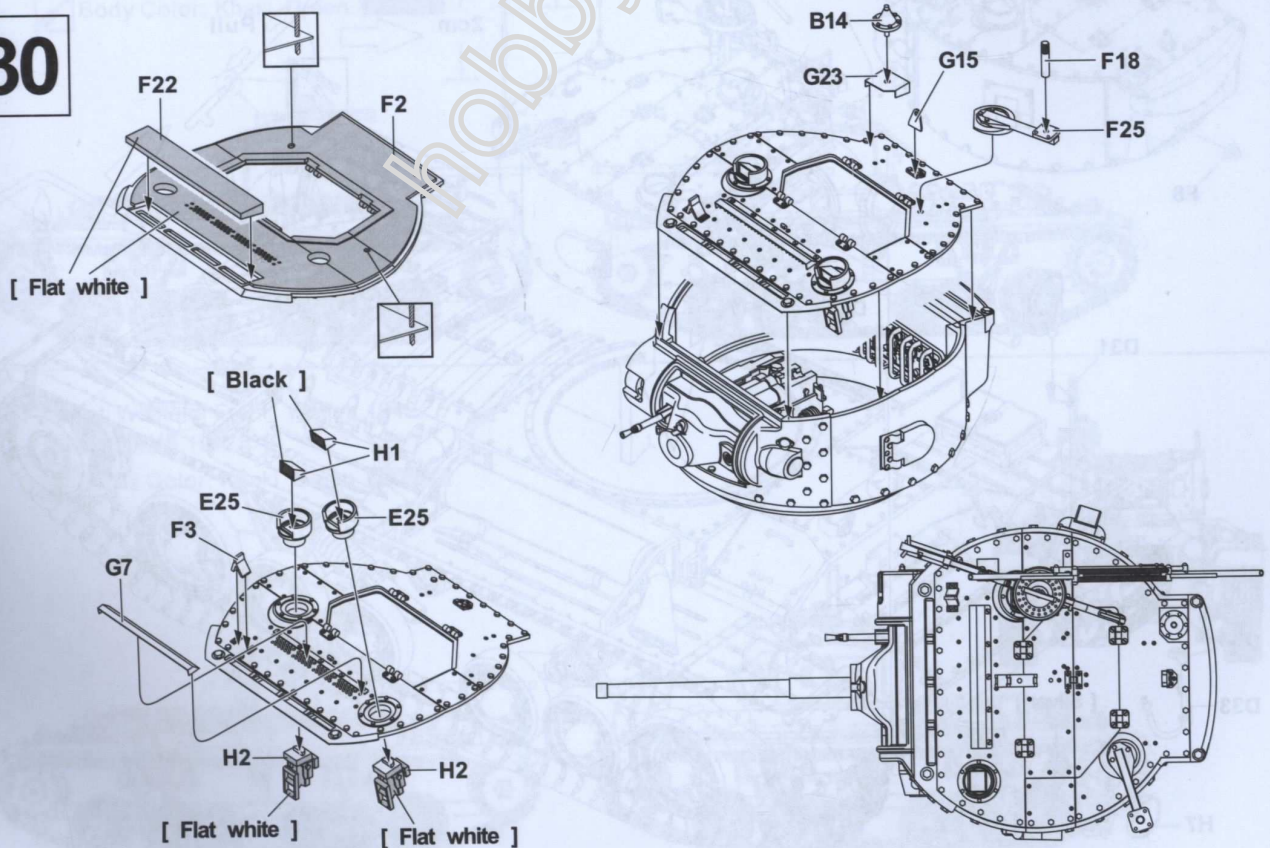


29

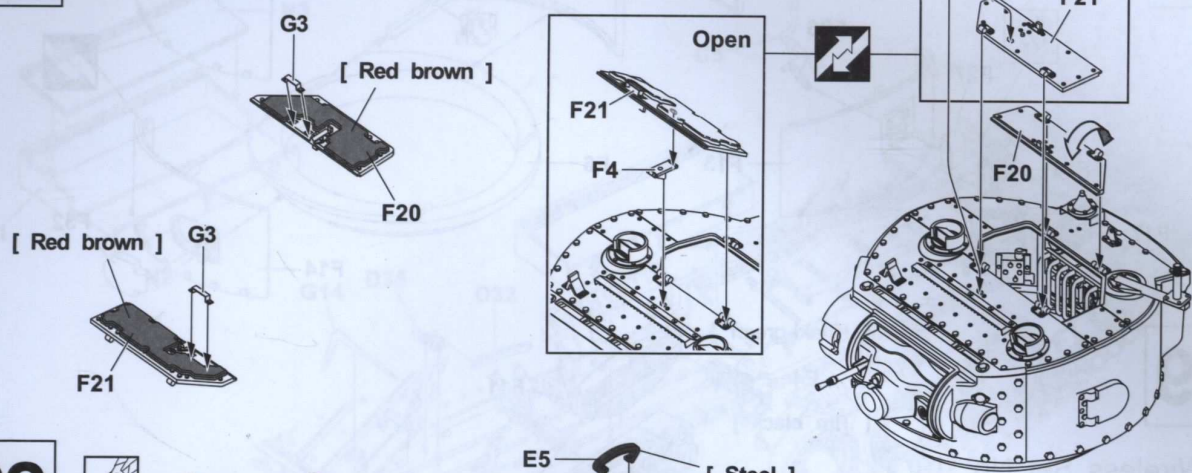
《 Wireless Set No. 19 》



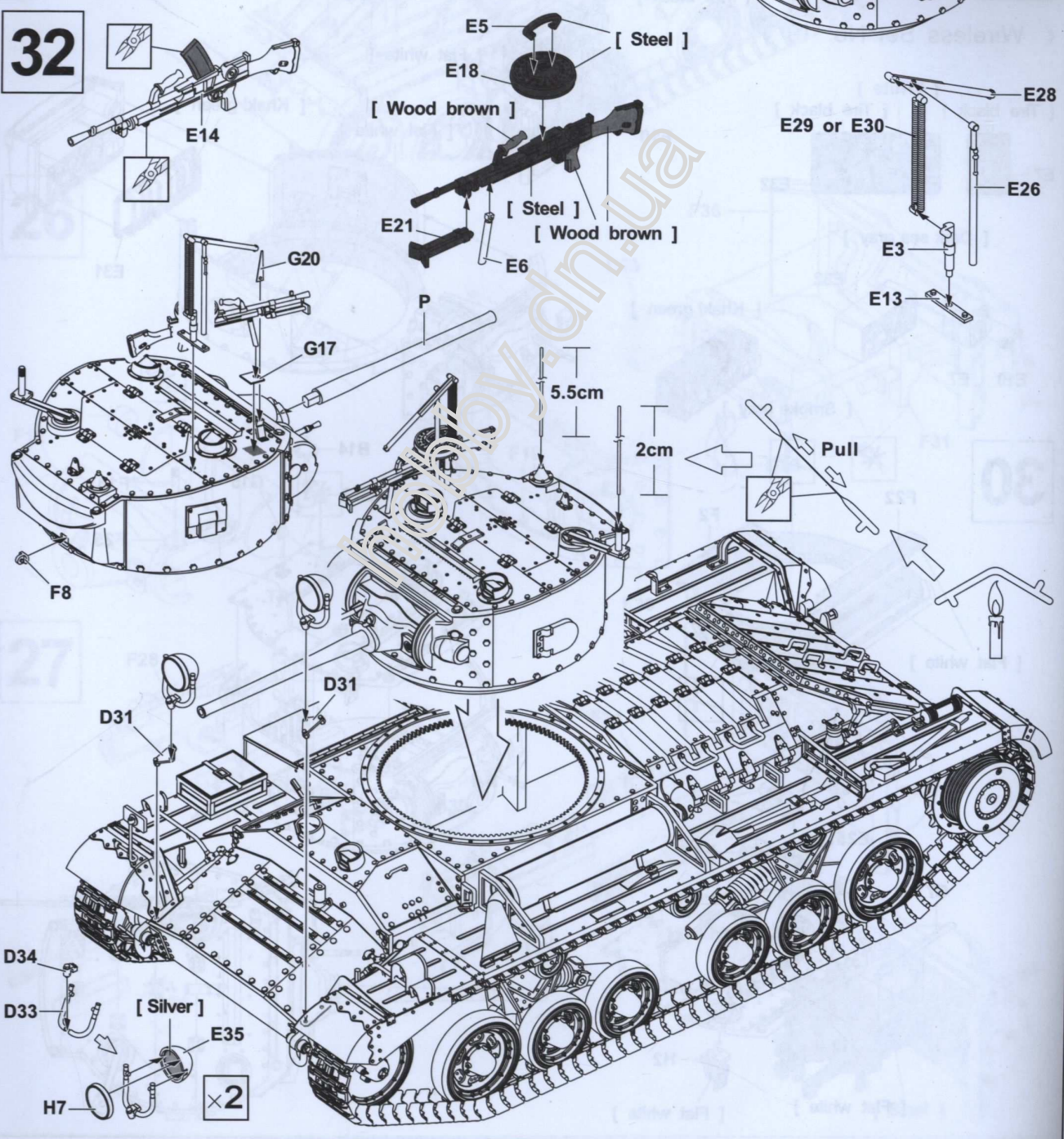
30





31

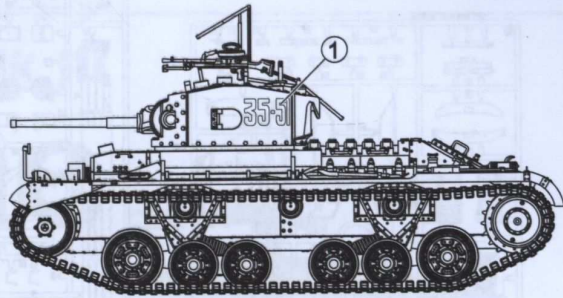
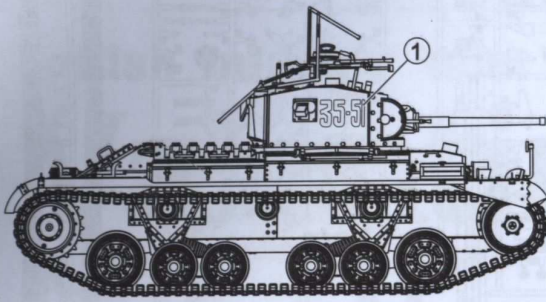


32





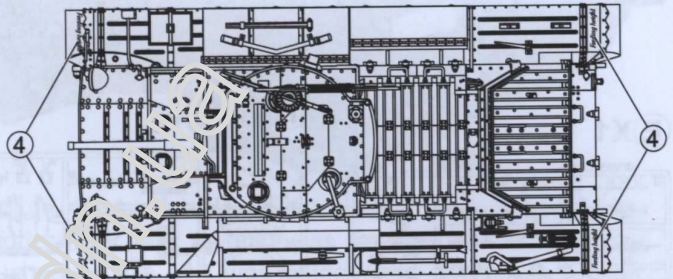
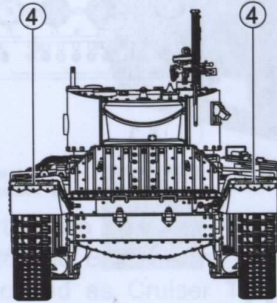
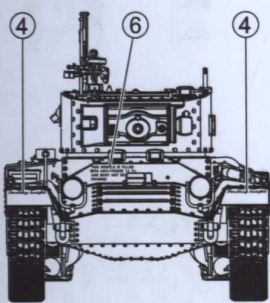
A Kharkov, June 1942.
卡爾可夫, 1942年六月

 Body Color: Khaki Green 





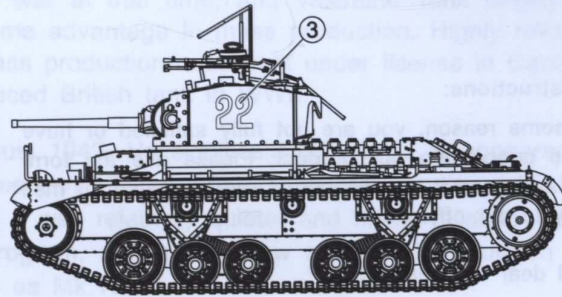
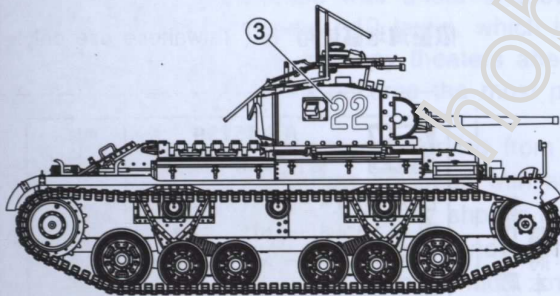
B Kursk, 1942.
庫斯克, 1942年

 Body Color: Khaki Green 





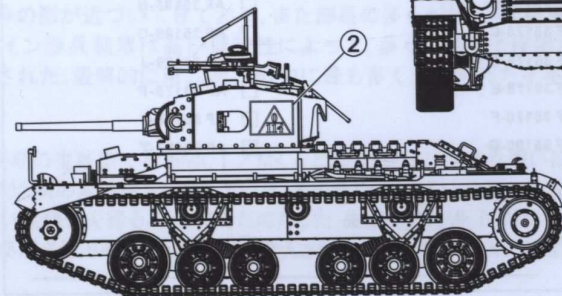
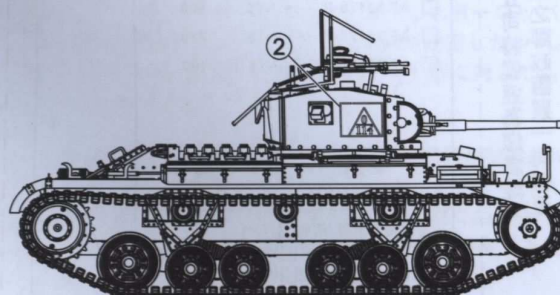
C Stalingrad, Sep 1942.
史達林格勒, 1942年九月

 Body Color: Khaki Green 



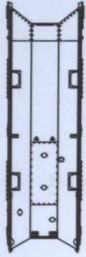
D Soviet Western Front, Winter 1942.
蘇聯西線戰場, 1942年冬

 Body Color: Khaki Green 



PARTS LIST 零件表

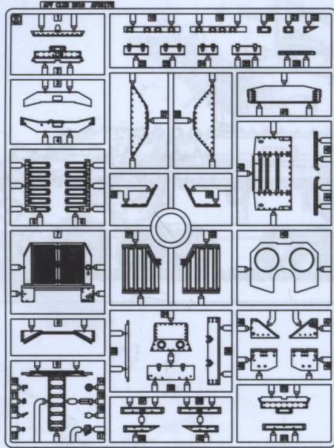
AX1
AF 35178



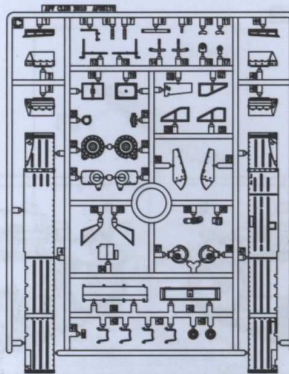
GX1
AF 35199



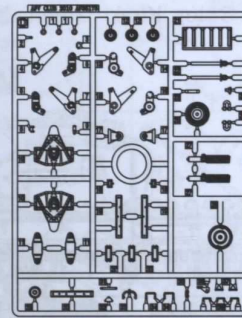
BX1
AF 35178



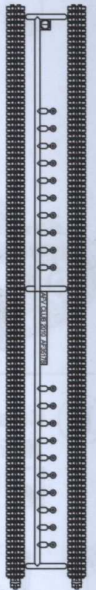
CX1
AF 35178



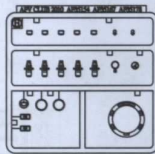
DX2
AF 35178



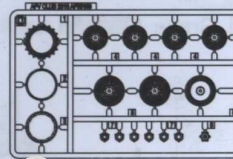
TX1
AF 35178



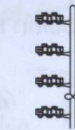
HX1
AF 35153



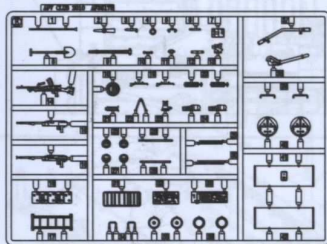
OX2
AF 35199



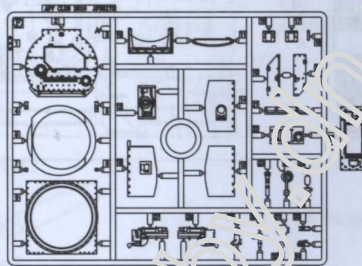
TX1
AF 35197



EX1
AF 35178



FX1
AF 35178



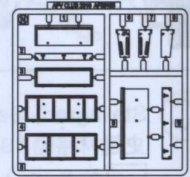
OX1
AF 35199



PX1
AF 35178



NX1
AF 35185



Instructions:

If for some reason, you are not fully satisfied or have questions concerning our product; Please use the form provide, and send it to our nearest representative or mail it directly to our office.

We will deal with that A.S.A.P.

限臺灣地區使用 For Taiwanese use only!



AF 35199 Parts Replacement Form

- | | |
|-------------------------------------|-------------------------------------|
| <input type="checkbox"/> AF 35178-A | <input type="checkbox"/> AF 35153-H |
| <input type="checkbox"/> AF 35178-B | <input type="checkbox"/> AF 35185-N |
| <input type="checkbox"/> AF 35178-C | <input type="checkbox"/> AF 35199-O |
| <input type="checkbox"/> AF 35178-D | <input type="checkbox"/> AF 35199-J |
| <input type="checkbox"/> AF 35178-E | <input type="checkbox"/> AF 35178-P |
| <input type="checkbox"/> AF 35178-F | <input type="checkbox"/> AF 35178-T |
| <input type="checkbox"/> AF 35199-G | <input type="checkbox"/> AF 35197-T |

Reason for replacement: Missing
 Broken

Signature: _____



AF 35199 零件補充申請表

申請人
姓名 地址 電話

- | | | | |
|-------------------------------------|---|------|-----|
| <input type="checkbox"/> AF 35178-A | — | NT\$ | 200 |
| <input type="checkbox"/> AF 35178-B | — | NT\$ | 250 |
| <input type="checkbox"/> AF 35178-C | — | NT\$ | 200 |
| <input type="checkbox"/> AF 35178-D | — | NT\$ | 200 |
| <input type="checkbox"/> AF 35178-E | — | NT\$ | 200 |
| <input type="checkbox"/> AF 35178-F | — | NT\$ | 250 |
| <input type="checkbox"/> AF 35199-G | — | NT\$ | 220 |
| <input type="checkbox"/> AF 35153-H | — | NT\$ | 150 |
| <input type="checkbox"/> AF 35185-N | — | NT\$ | 200 |
| <input type="checkbox"/> AF 35199-O | — | NT\$ | 240 |
| <input type="checkbox"/> AF 35199-J | — | NT\$ | 160 |
| <input type="checkbox"/> AF 35178-P | — | NT\$ | 160 |
| <input type="checkbox"/> AF 35178-T | — | NT\$ | 220 |
| <input type="checkbox"/> AF 35197-T | — | NT\$ | 100 |

+郵寄費 ——— NT\$ 80

(請填)總計NT\$ _____

零件補充原因:(請於打√)
原包裝即遺失或毀損,
製作途中遺失或毀損,
其他原因 _____

總代理戰鷹企業 客服部收本公司將儘速為您處理。
請將本表與該部品相同金額之郵政匯票一同寄至。