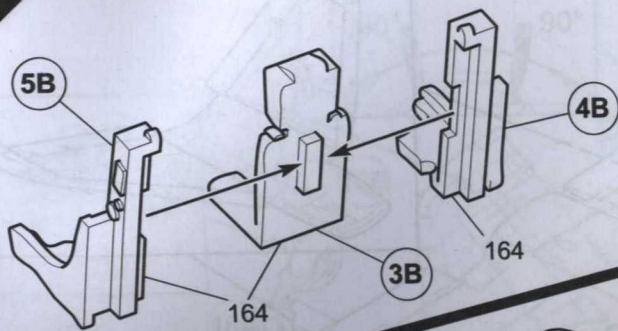


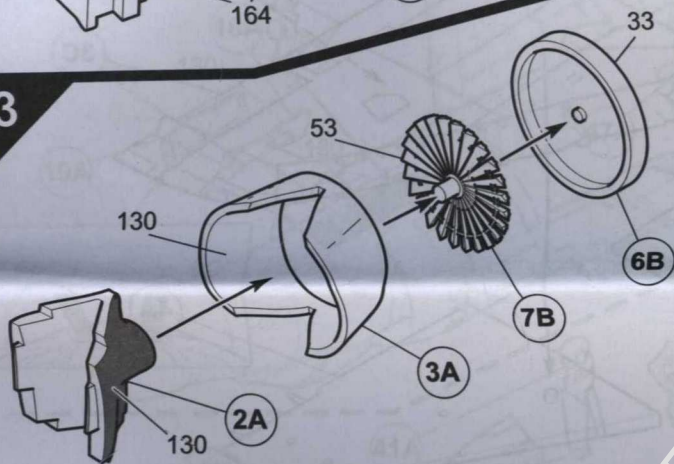
1



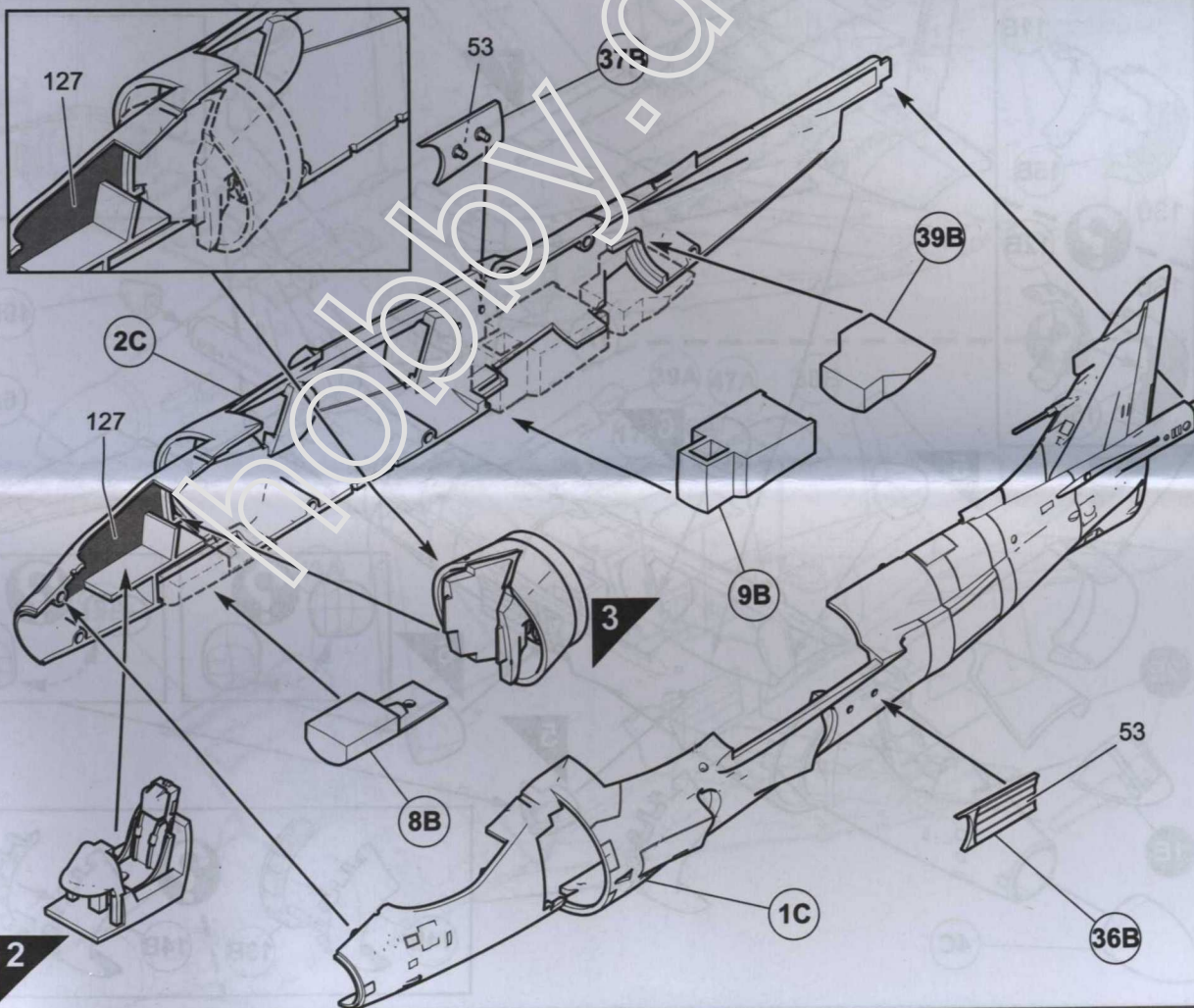
2

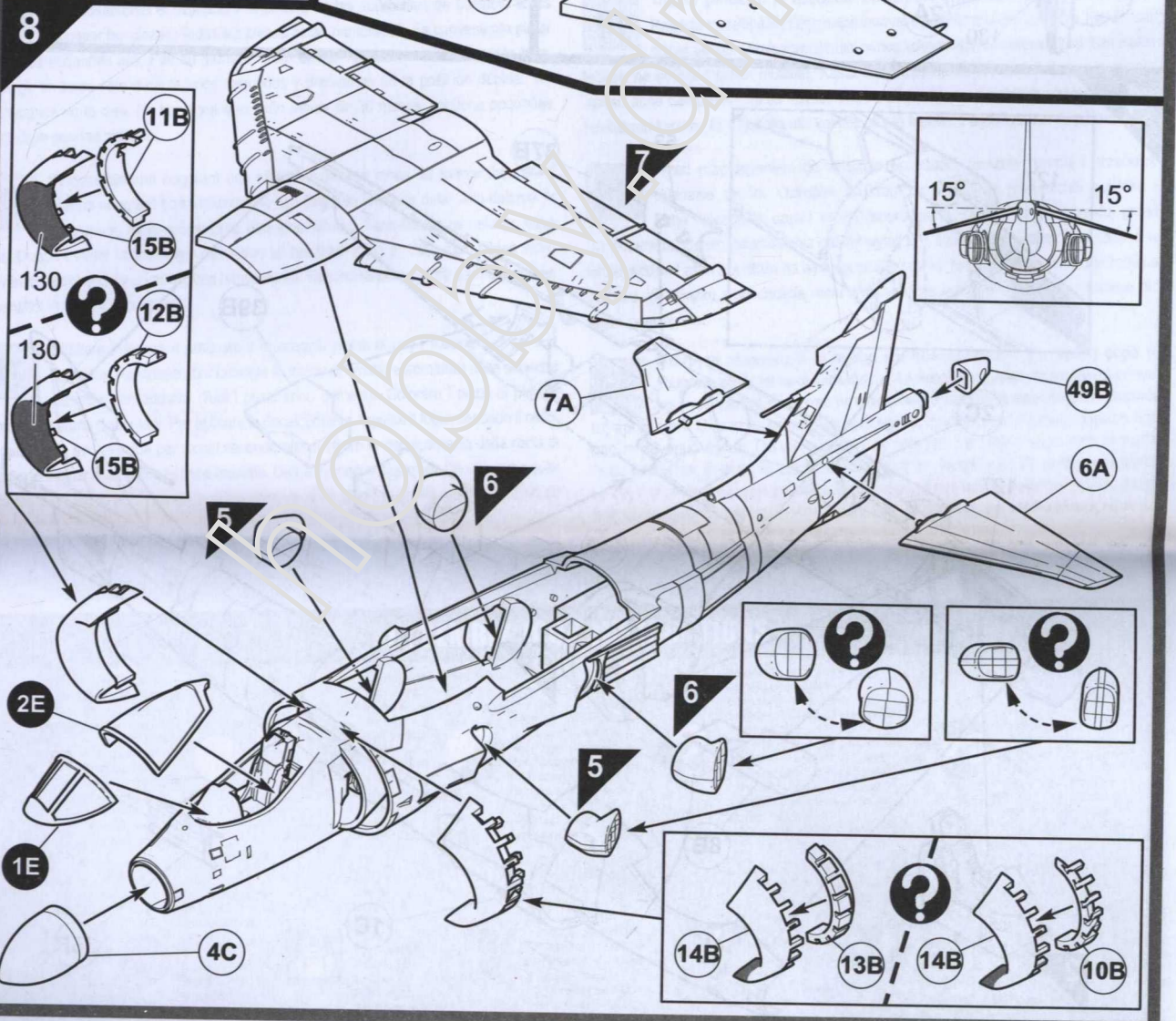
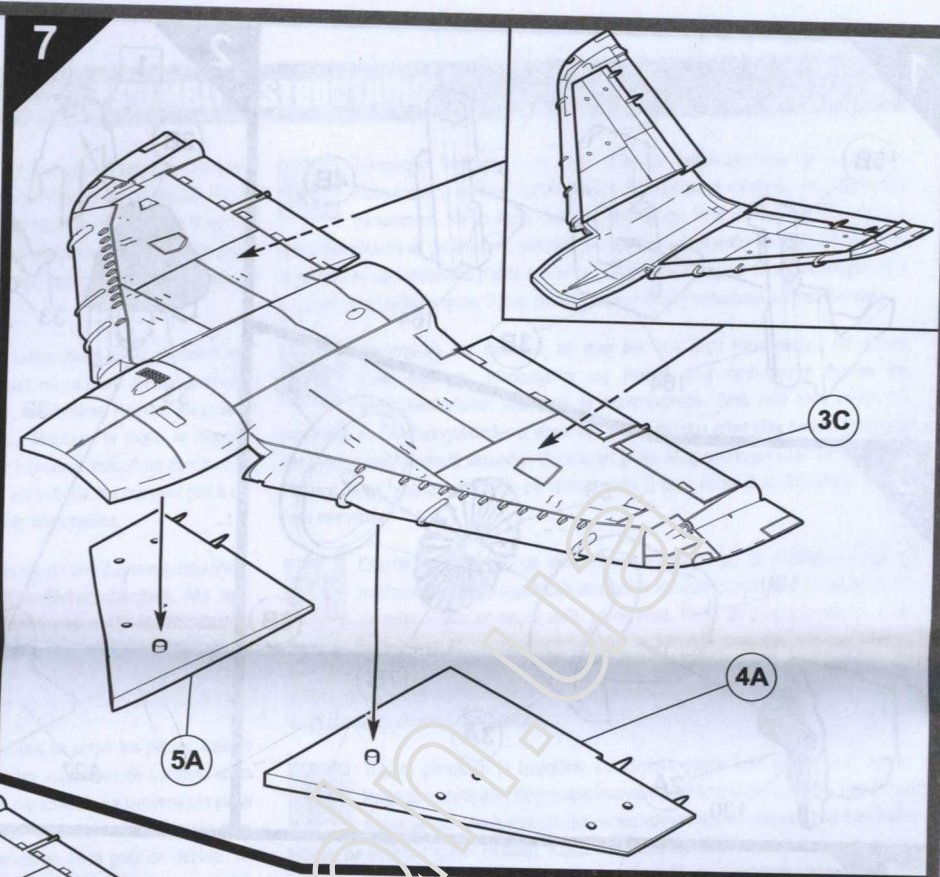
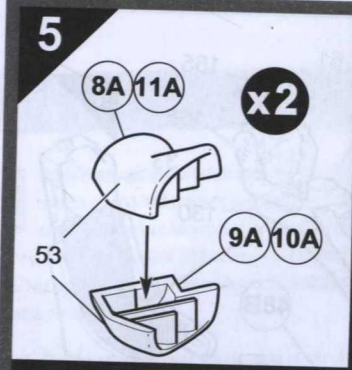


3

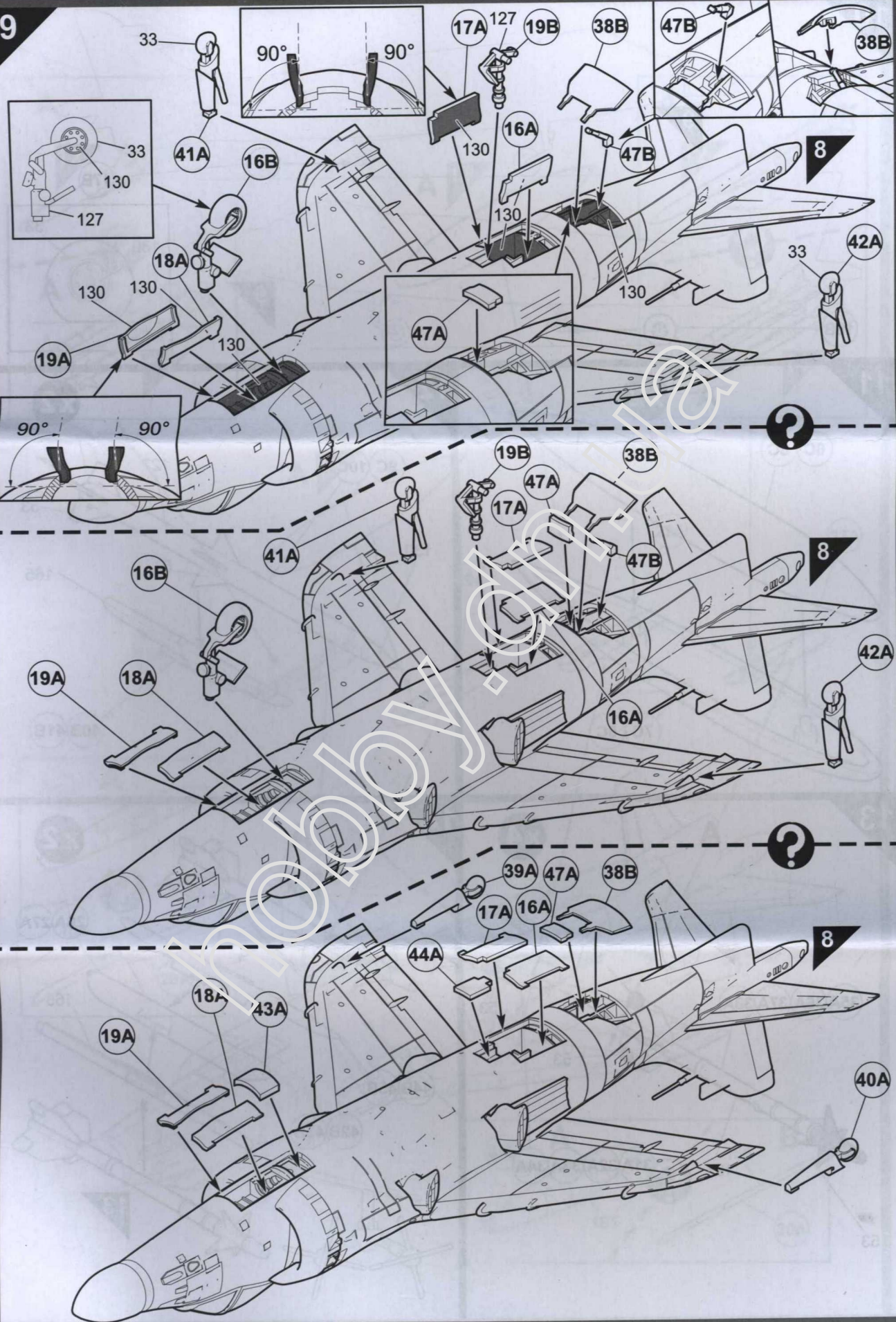


4

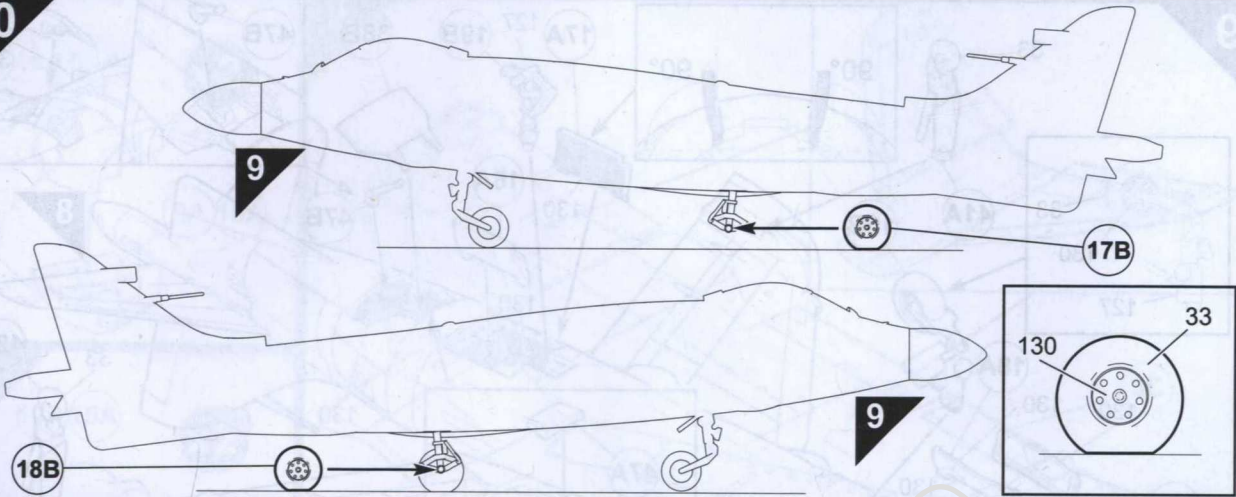




9

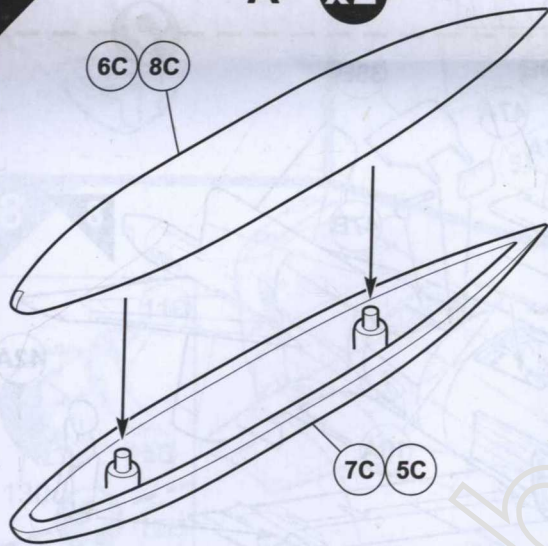


10



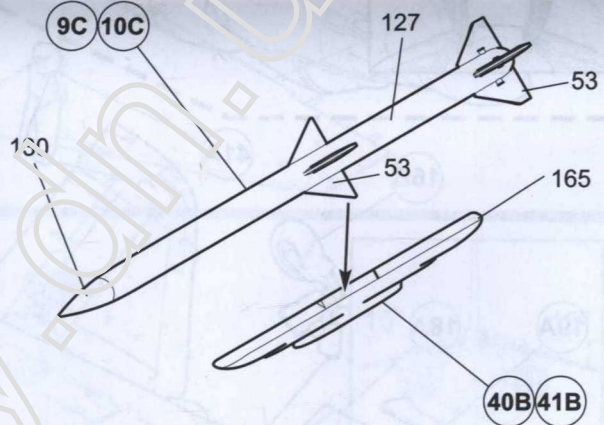
11

A x2



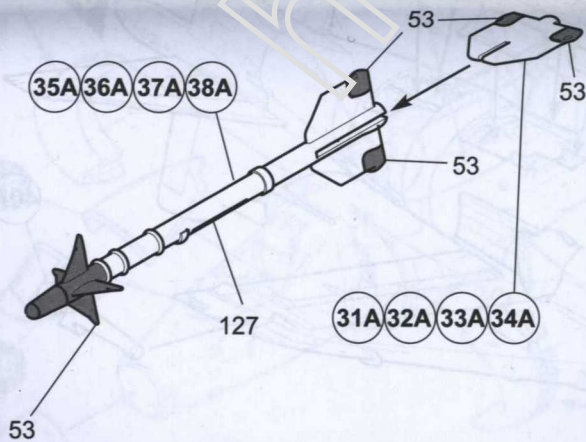
12

A x2



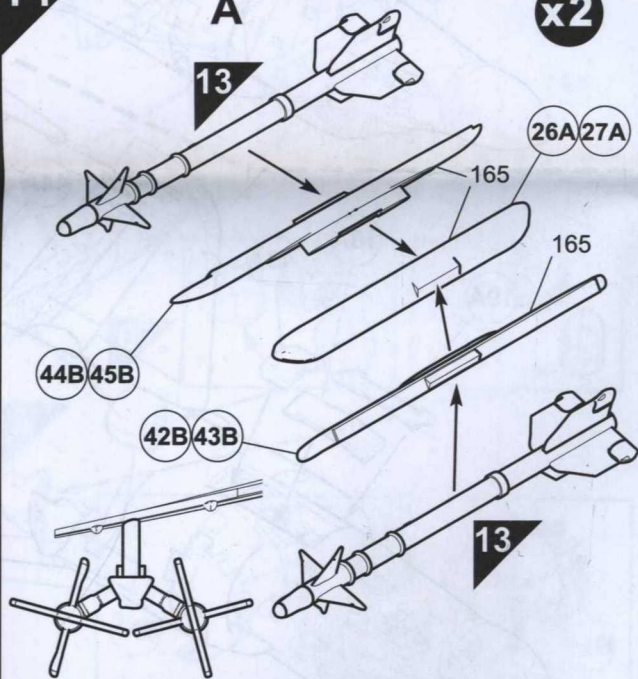
13

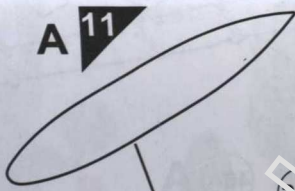
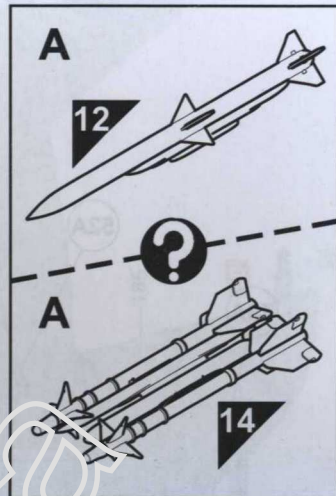
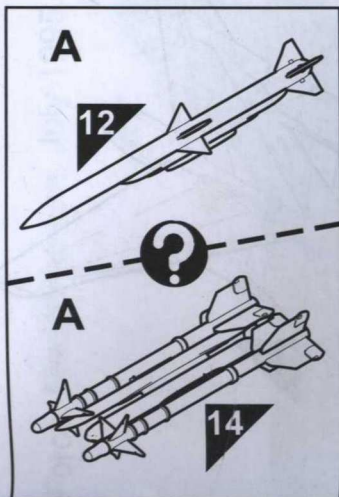
A x4



14

A x2

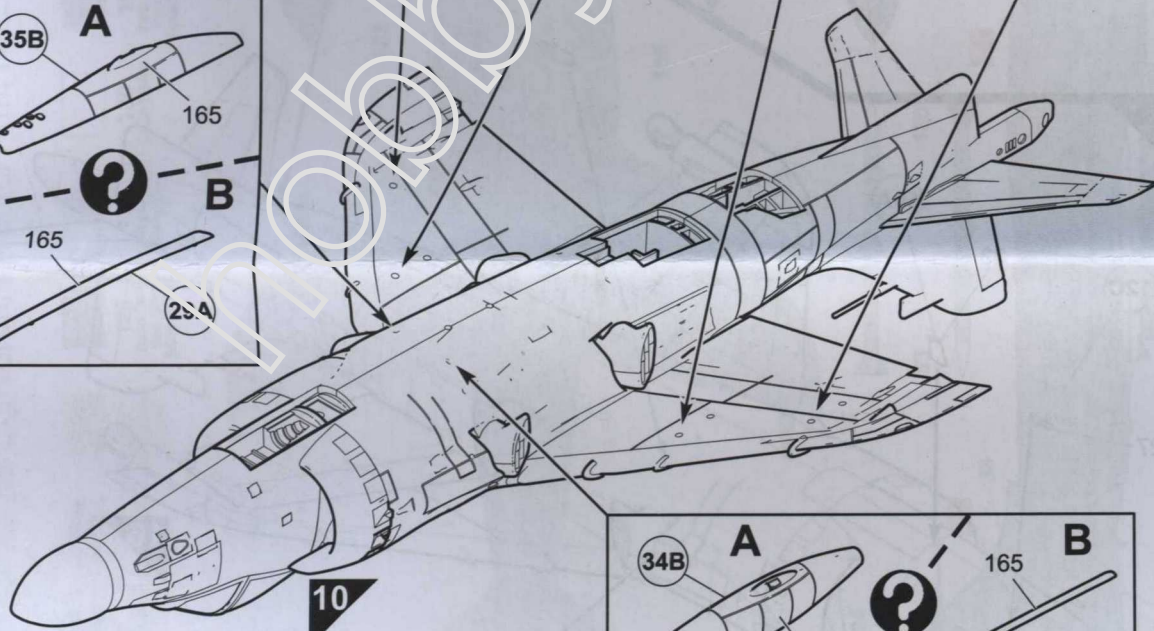
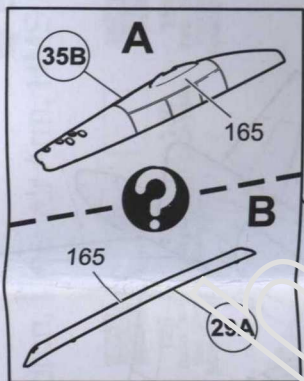




21A

22A

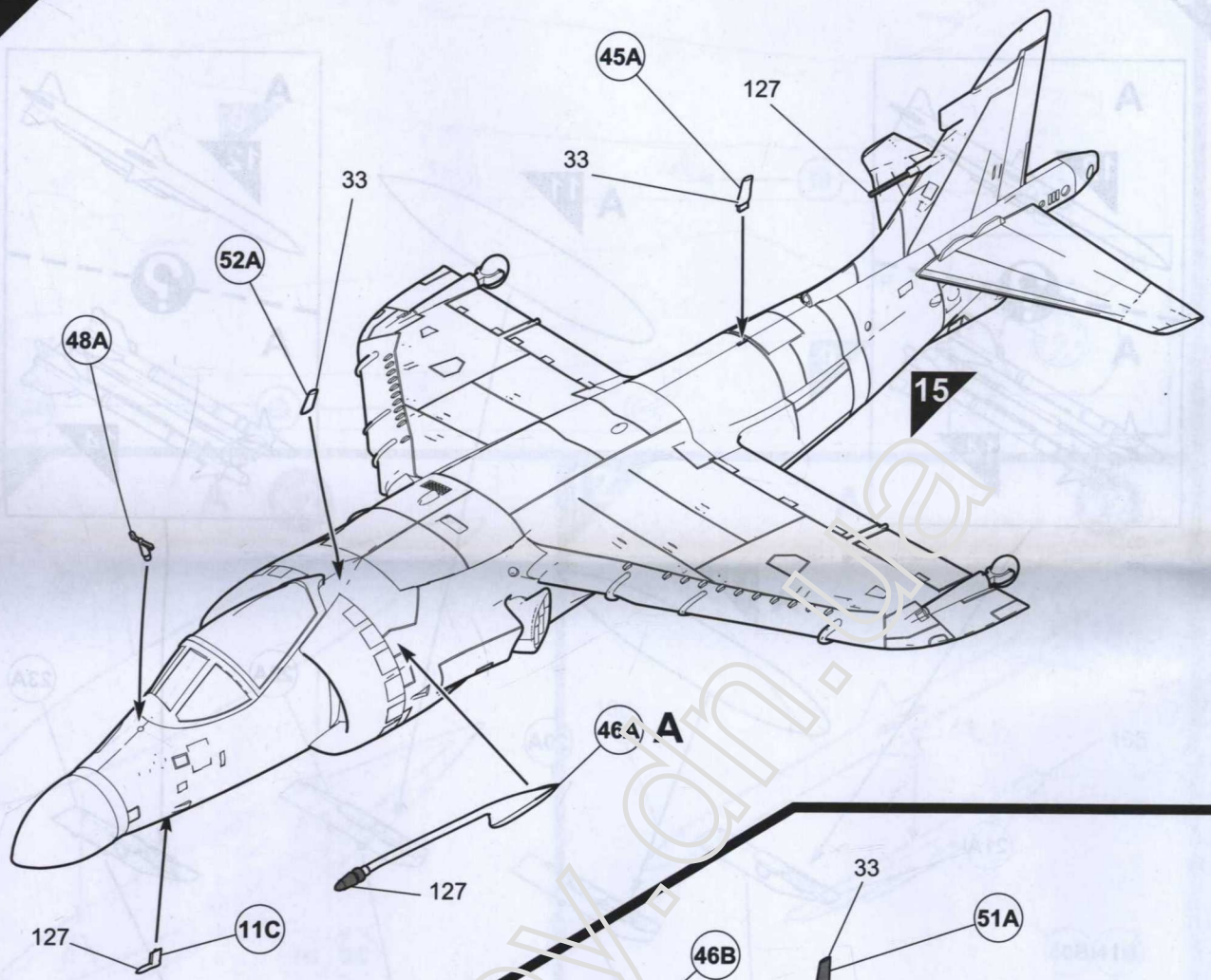
23A



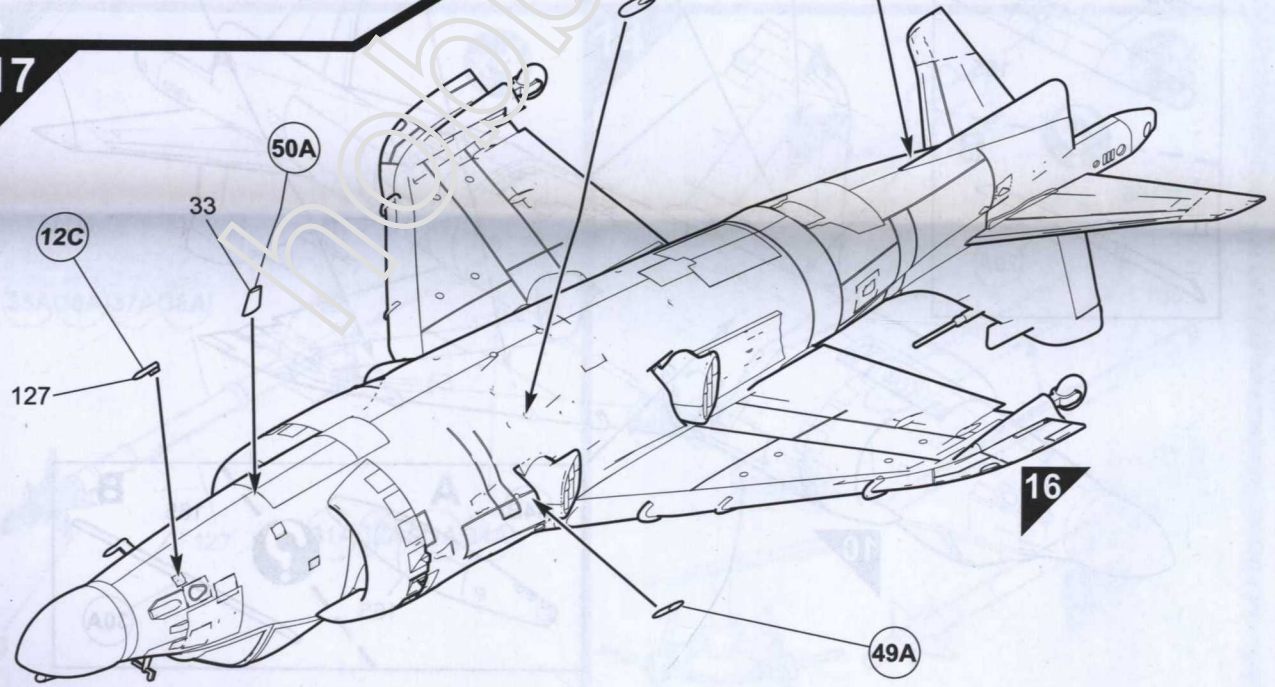
10



16

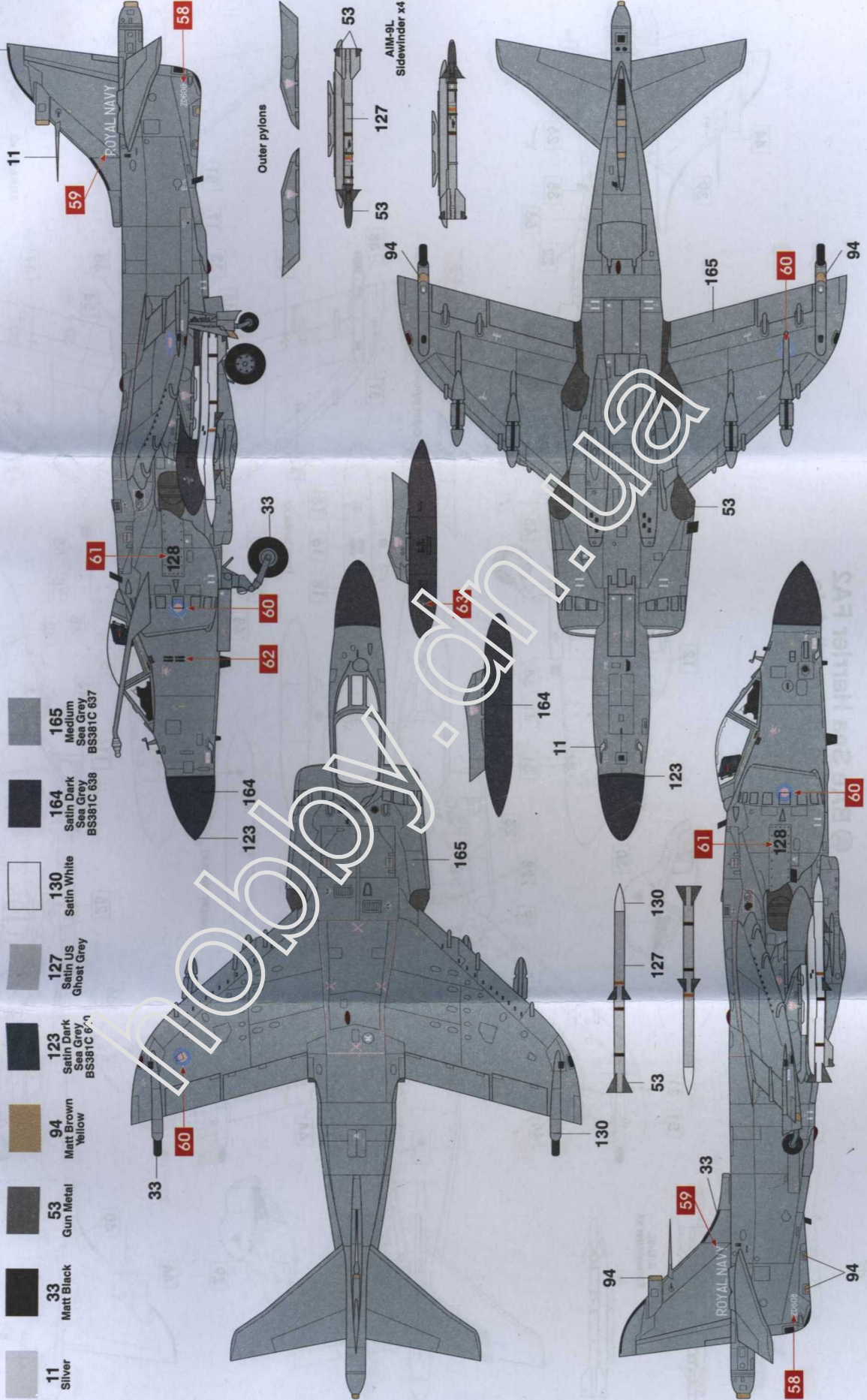


17

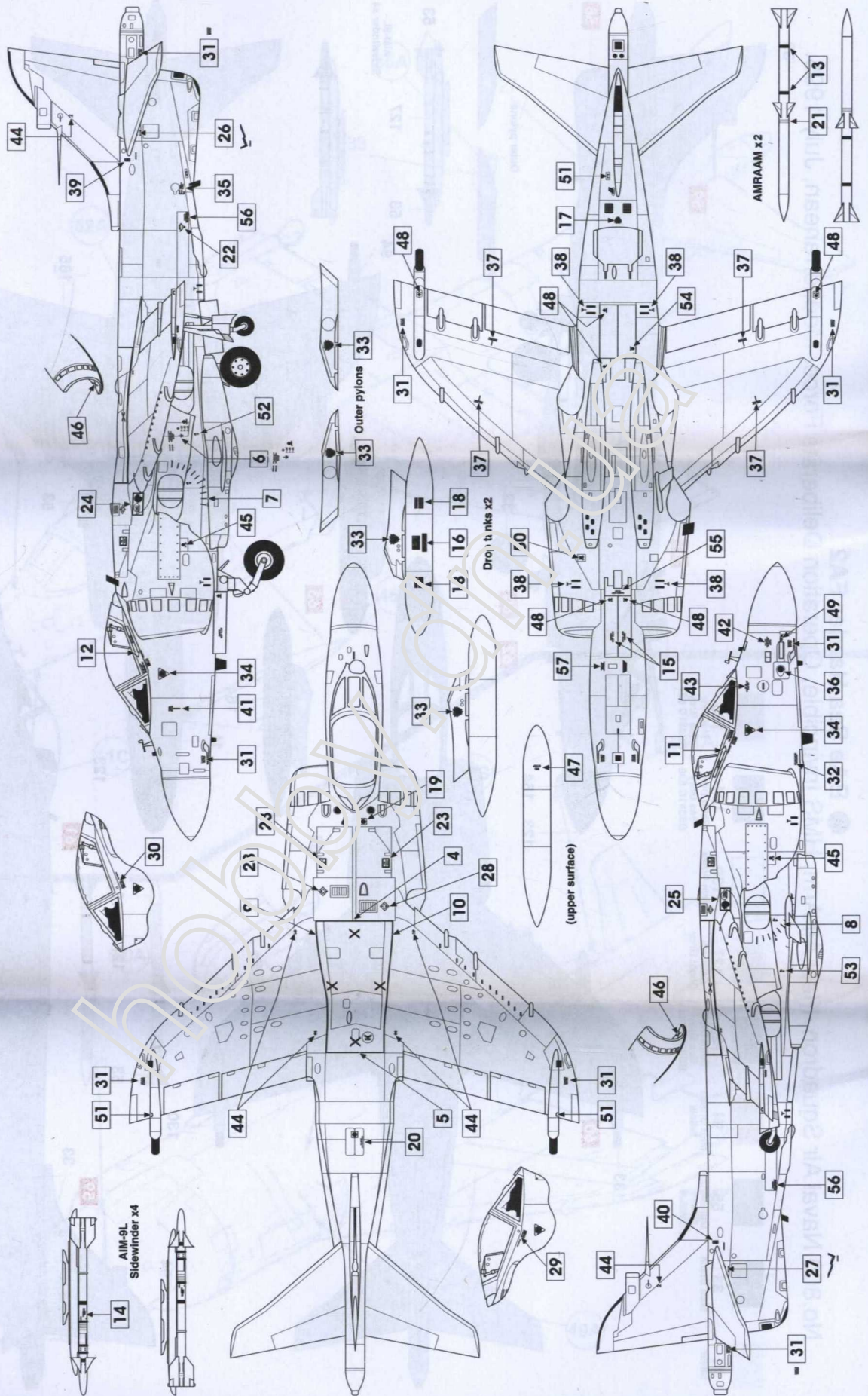


A BAE Sea Harrier FA2

No.800 Naval Air Squadron, Fleet Air Arm, HMS Invincible, Operation Deliberate Force, Mediterranean, July 1995.



Ⓐ Bae Sea Harrier FA2
Position of stencil data



B BAe Sea Harrier FA2
 'Admiral's Barge', No.899 Naval Air Squadron, Fleet Air Arm, Royal Naval Air Station Yeovilton, Somerset, England, 2004.

- 11 Silver
- 25 + 35 Matt Blue + Gloss Varnish
- 33 Matt Black
- 53 Gun Metal
- 94 Matt Brown Yellow
- 123 Satin Dark Sea Grey BS381C 640
- 130 Satin White
- 164 Satin Dark Sea Grey BS381C 638



B BAe Sea Harrier FA2
Position of stencil data

