

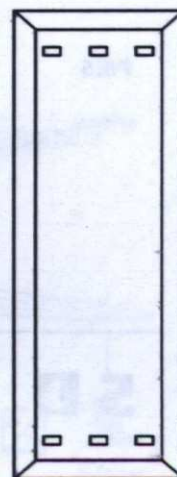
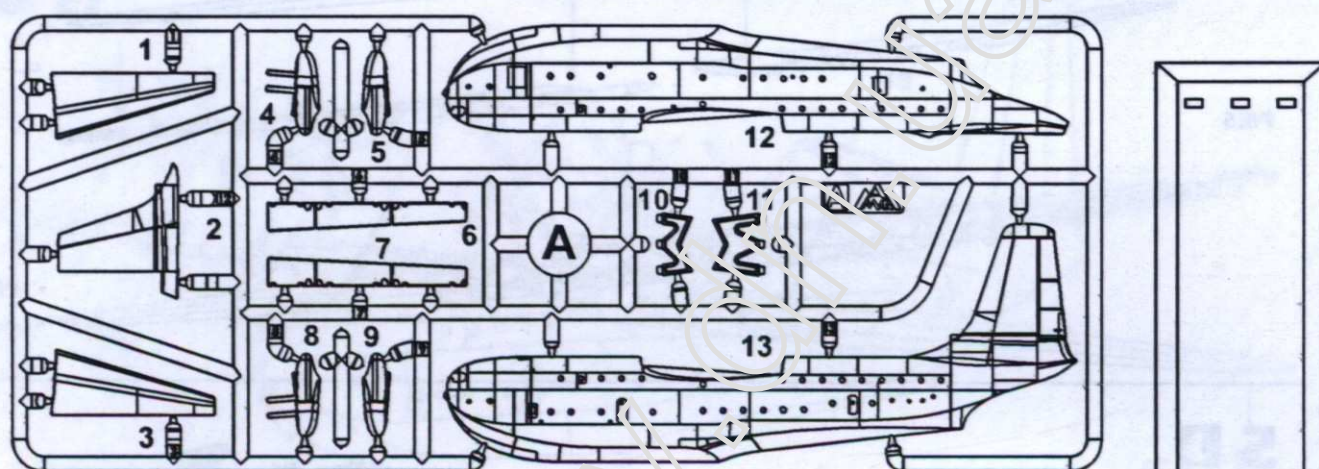
Saunders-Roe SR.45 Princess

The S.R.45 Princess was a British flying boat aircraft developed & built by Saunders - Roe at their Cowes facility on the isle of Wight.

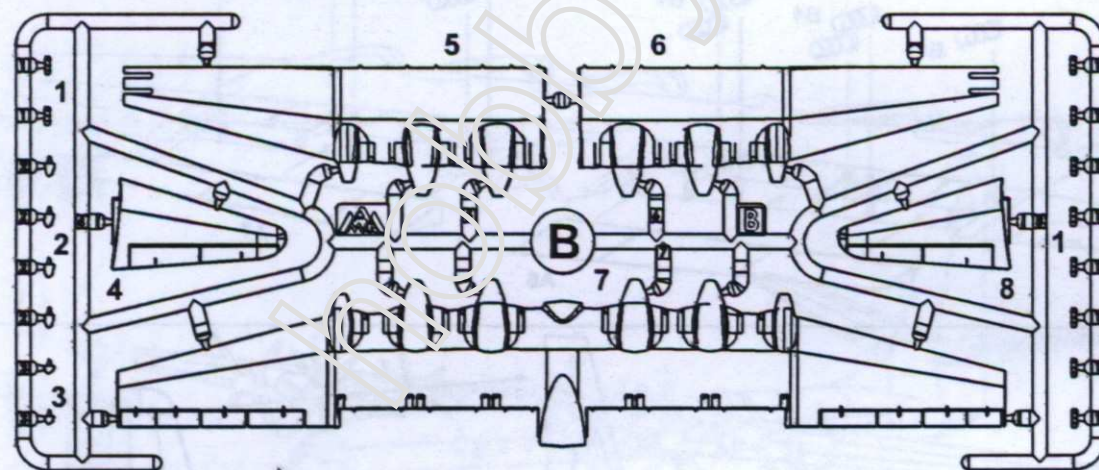
IT HAS DISTINCTION OF BEING THE LARGEST ALL-METALL FLYING BOAT TO HAVE EVER BEEN CONSTRUCTED.

On 22.08.1952, the 1st prototype Princess, conducted its maiden flight. The S.R.45 Princess had been developed to serve as a larger and more luxurious sucessor to the pre-war commercial flying boats, such as the S.Empire. It was intended to serve the transatlantic route, carrying up to 100 passengers between Southampton, UK and N.York, USA, in spacious and comfortable conditions.

Between 1952 and 1954, three copies of S.R.45 Princess flying boats were built.



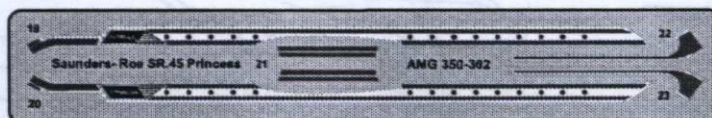
1 C



P/E



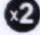

Decal

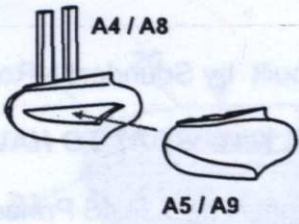


THE CONDITIONAL DENOTATION
УСЛОВНЫЕ ОБОЗНАЧЕНИЯ

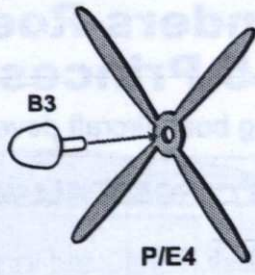
- BE CAREFUL**
ОСТОРОЖНО
- DON'T CEMENT**
НЕ КЛЕИТЬ
- REMOVE**
РЕЗАТЬ
- SYMMETRICAL**
СИММЕТРИЧНО
- MAKE TWO**
УДВОИТЬ
- OPTIONAL**
НЕОБЯЗАТЕЛЬНО
- BEND**
СОГНУТЬ
- OPEN WHOLE**
СВЕРЛИТЬ
- CEMENT**
КЛЕИТЬ
- VARIANTS**
ВЫБОР ВАРИАНТА

ASSEMBLY MANUAL

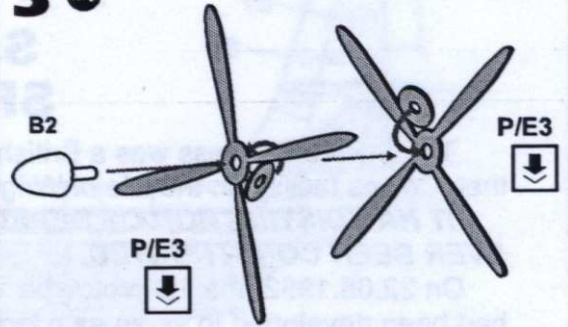
1  



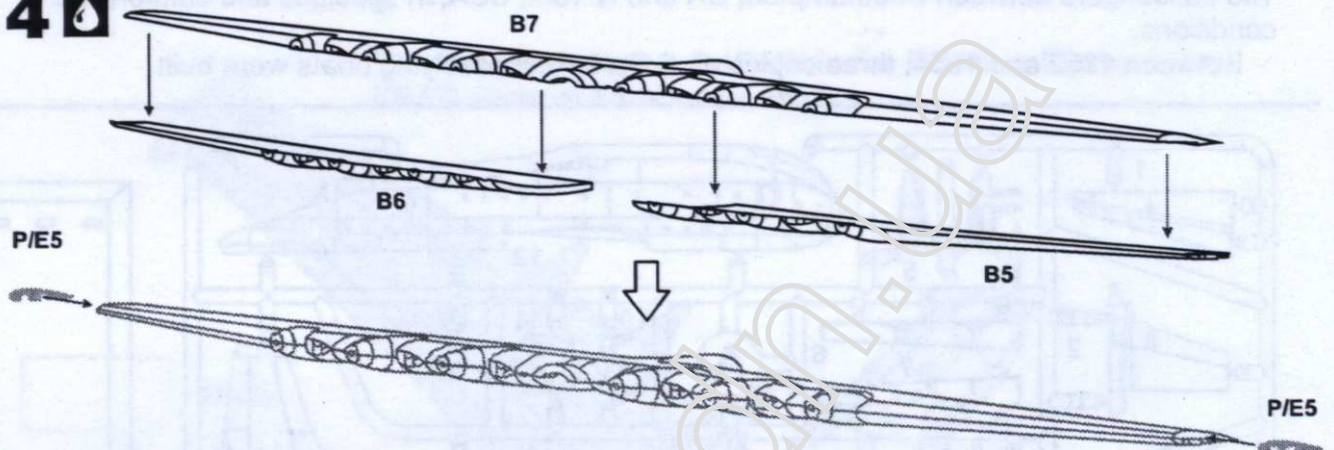
2 



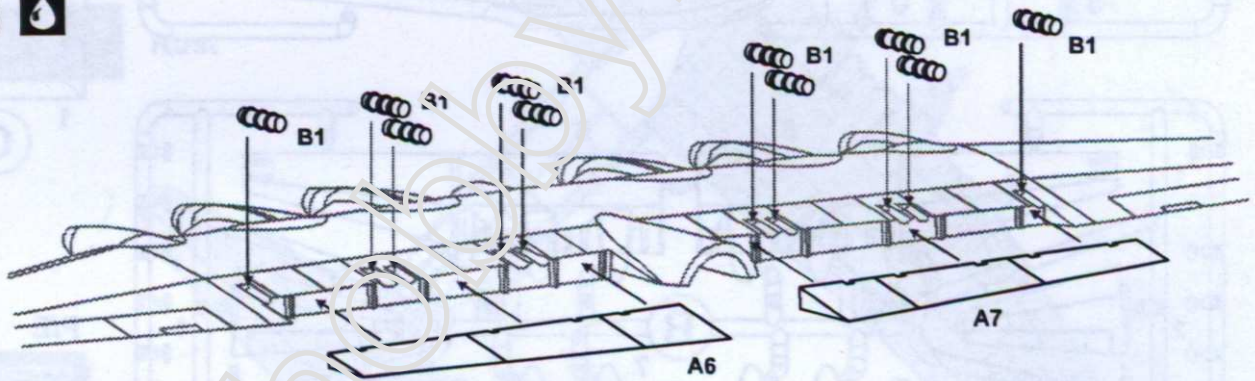
3 



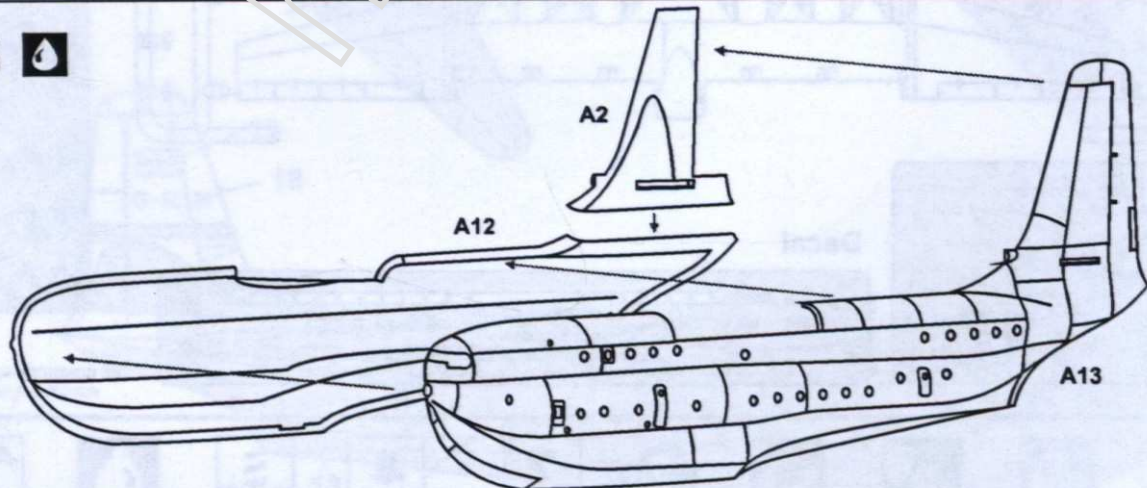
4 



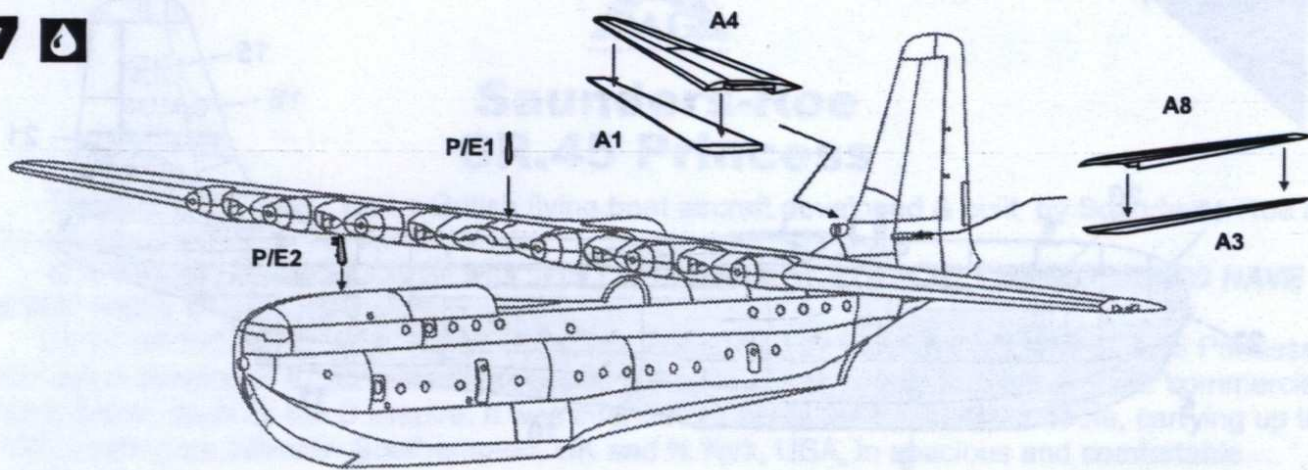
5 



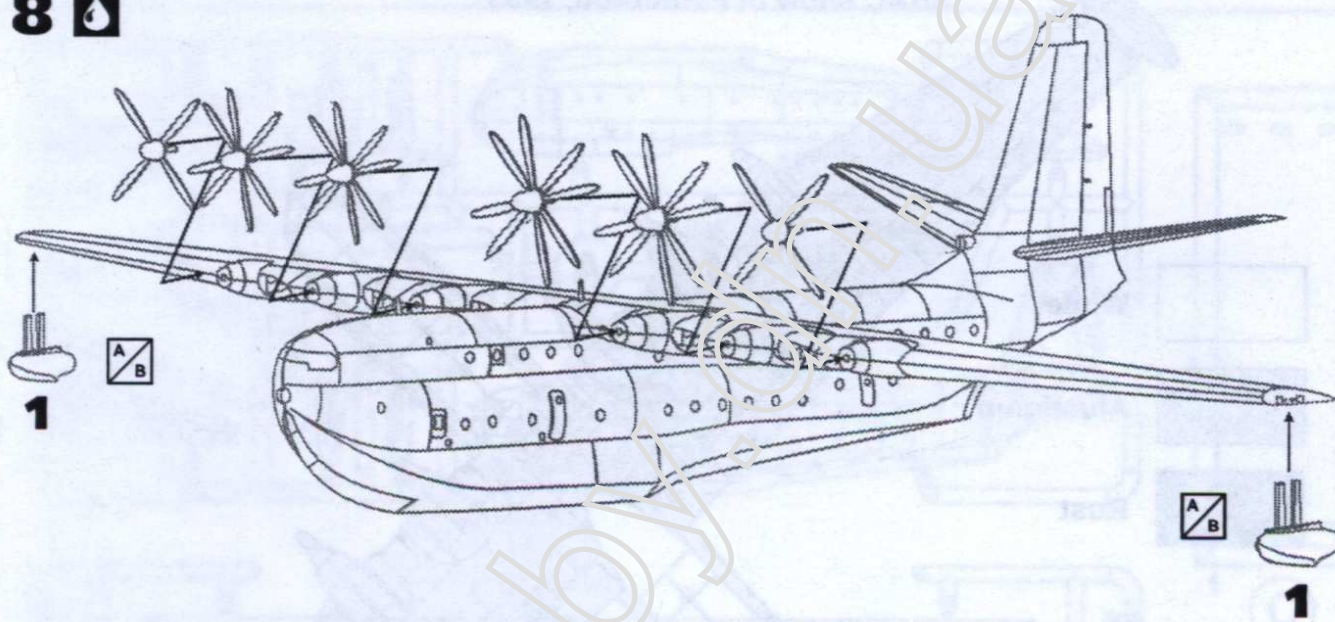
6 



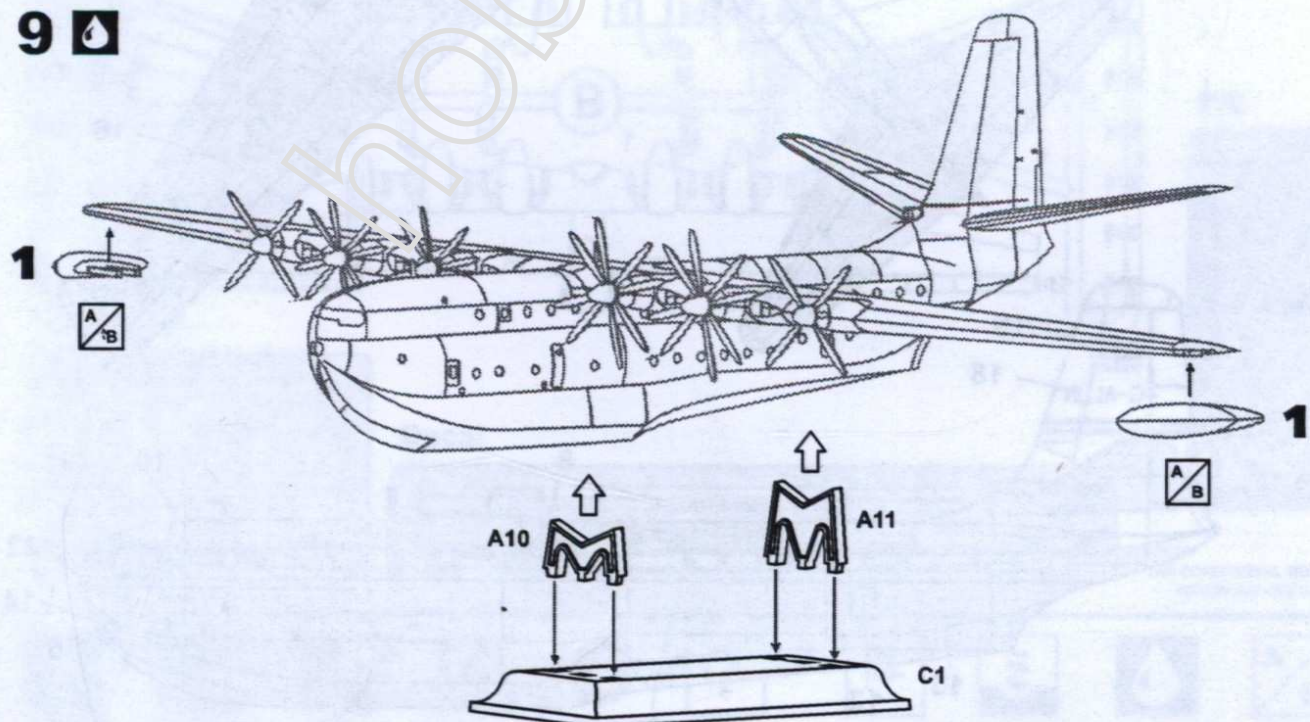
7 



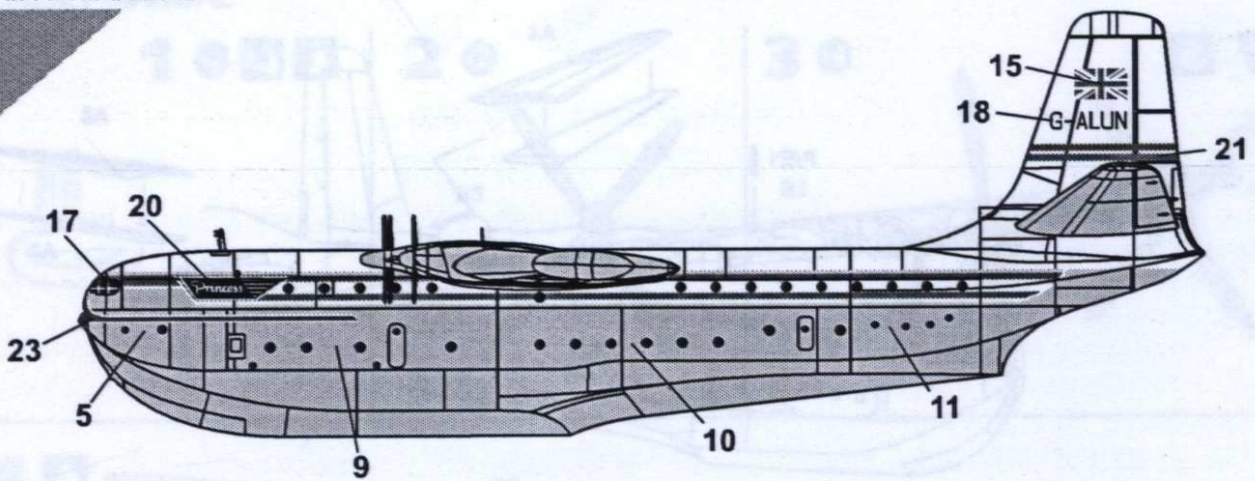
8 



9 



PAINT MANUAL



The S.R.45 Princess, G-ULUN in the BCAS colour scheme. SBAC show of Farnborou, 1953

