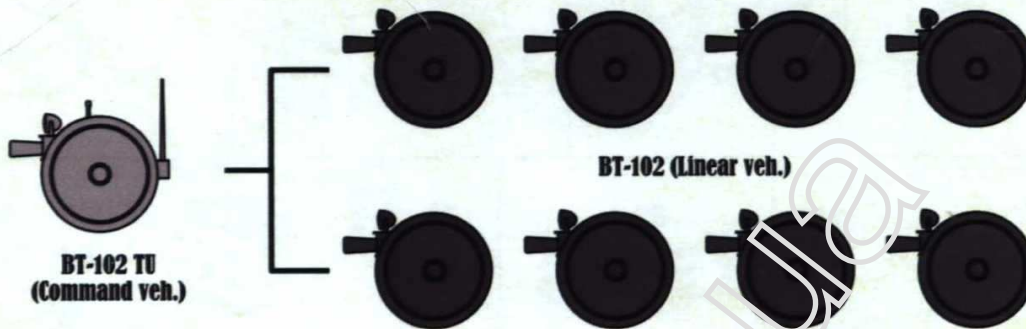
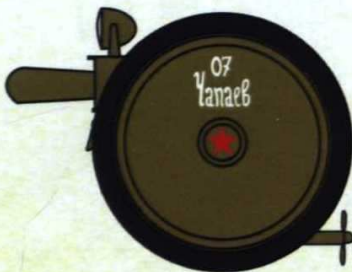


BT-102 "Spheroid"

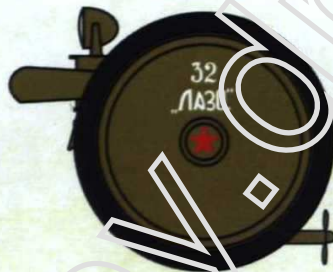
Structure AFV Sqn of Light(Raiding) Cavalry Div. RKKA 1938/42:



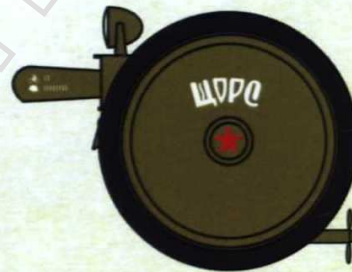
Color scheme



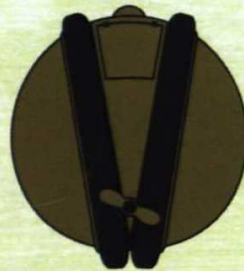
351rd Armored Sqn,
35 L. Cavalry Division,
Southern Front, August 1941



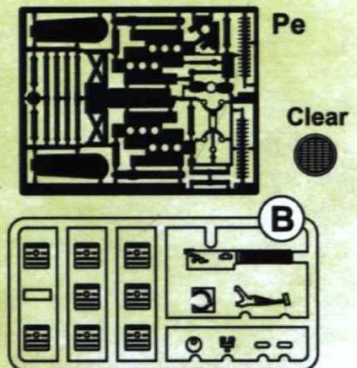
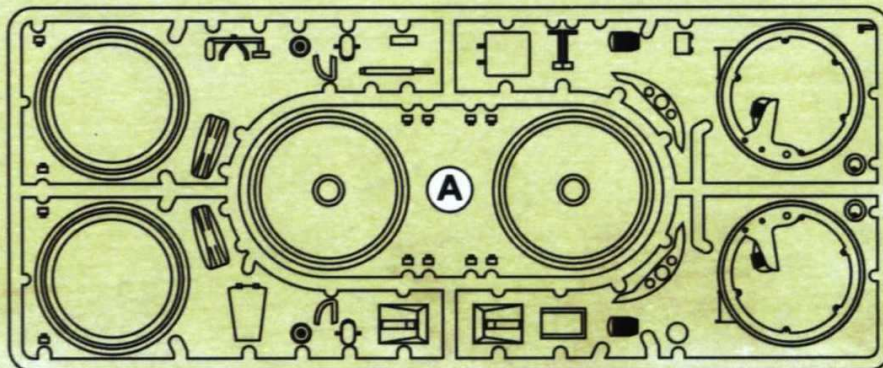
Independed Armored Sqn,
53 L. Cavalry Division,
Western Front, July 1941



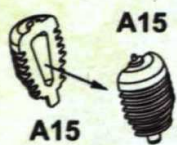
422rd Armored Sqn
42 L. Cavalry Division,
Crimean Front, May 1942



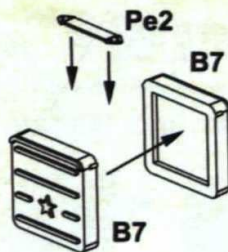
Parts of the model



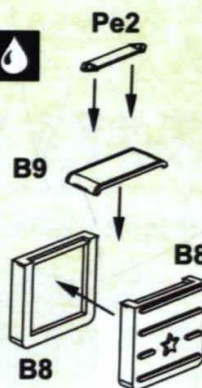
1



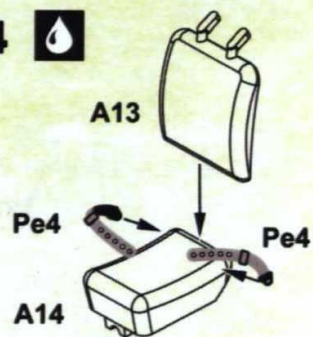
2



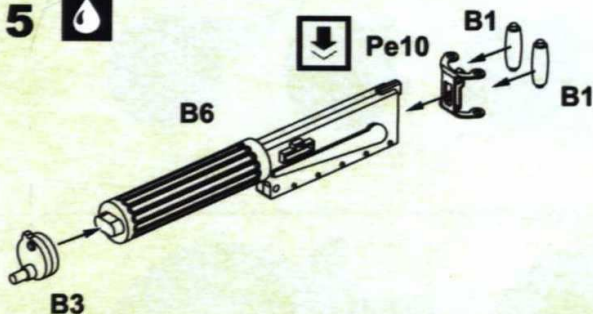
3



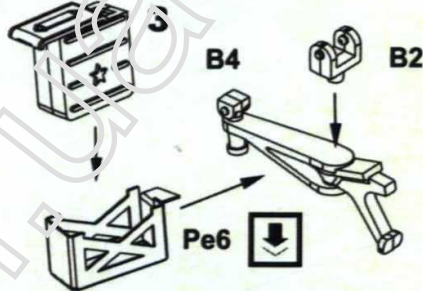
4



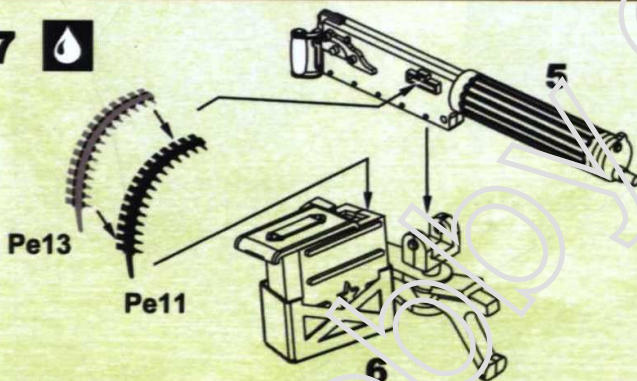
5



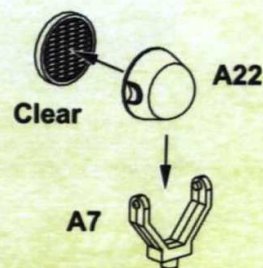
6



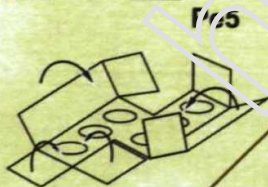
7



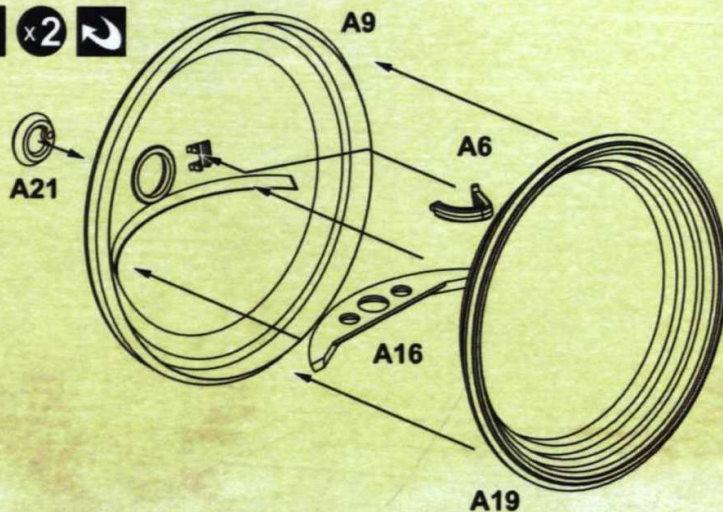
8



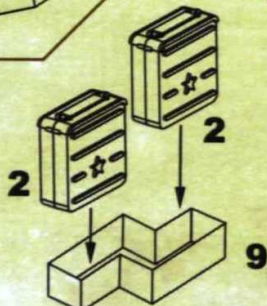
9

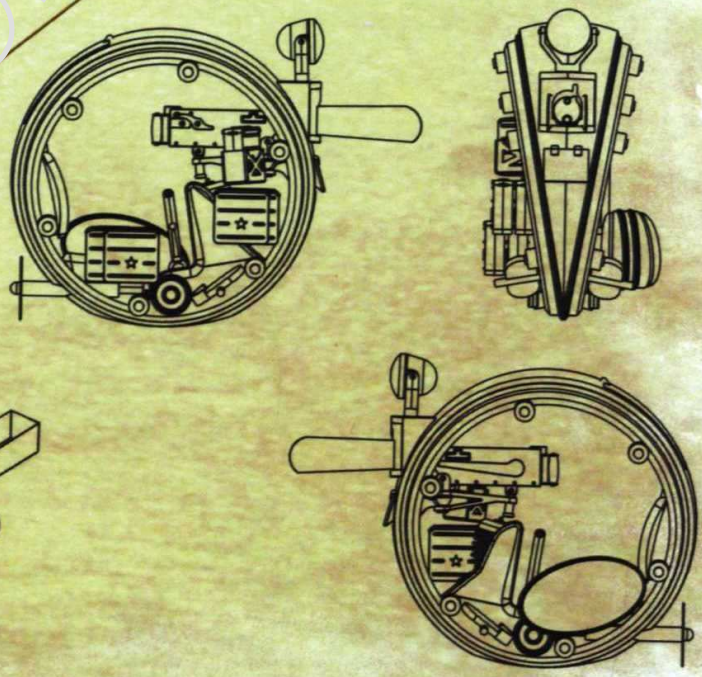
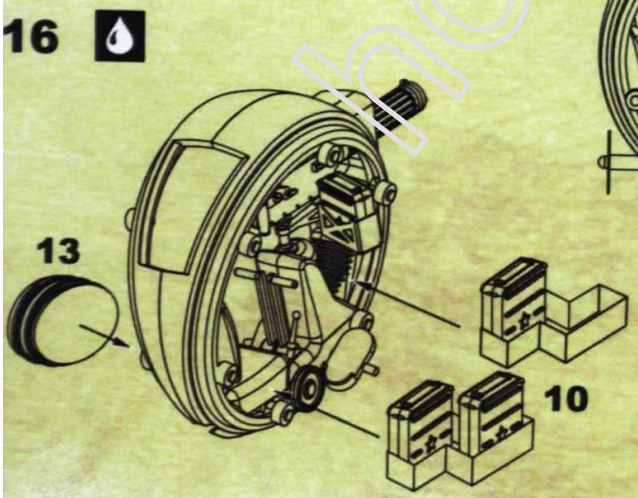
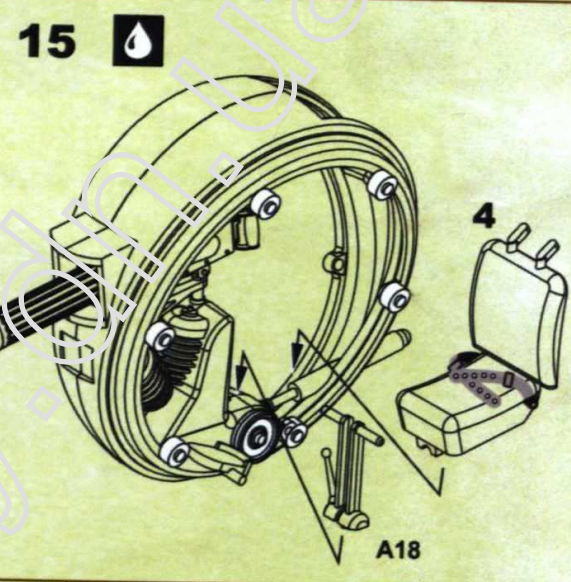
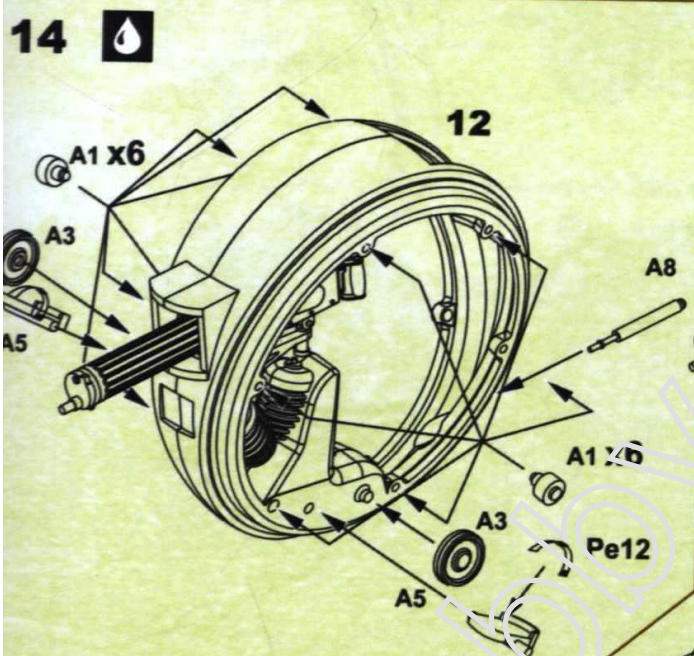
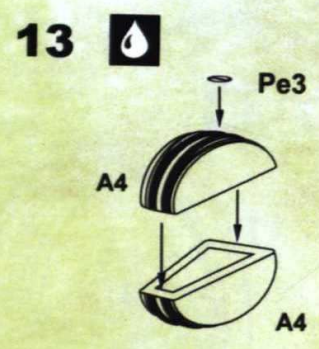
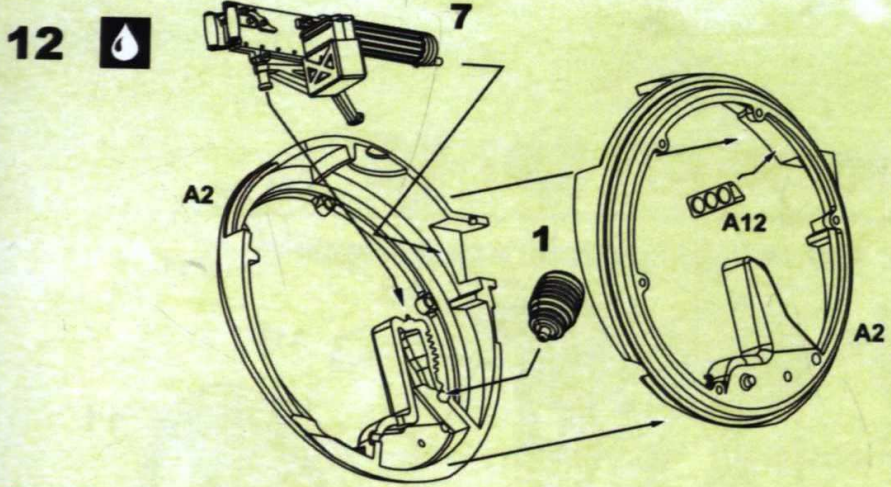


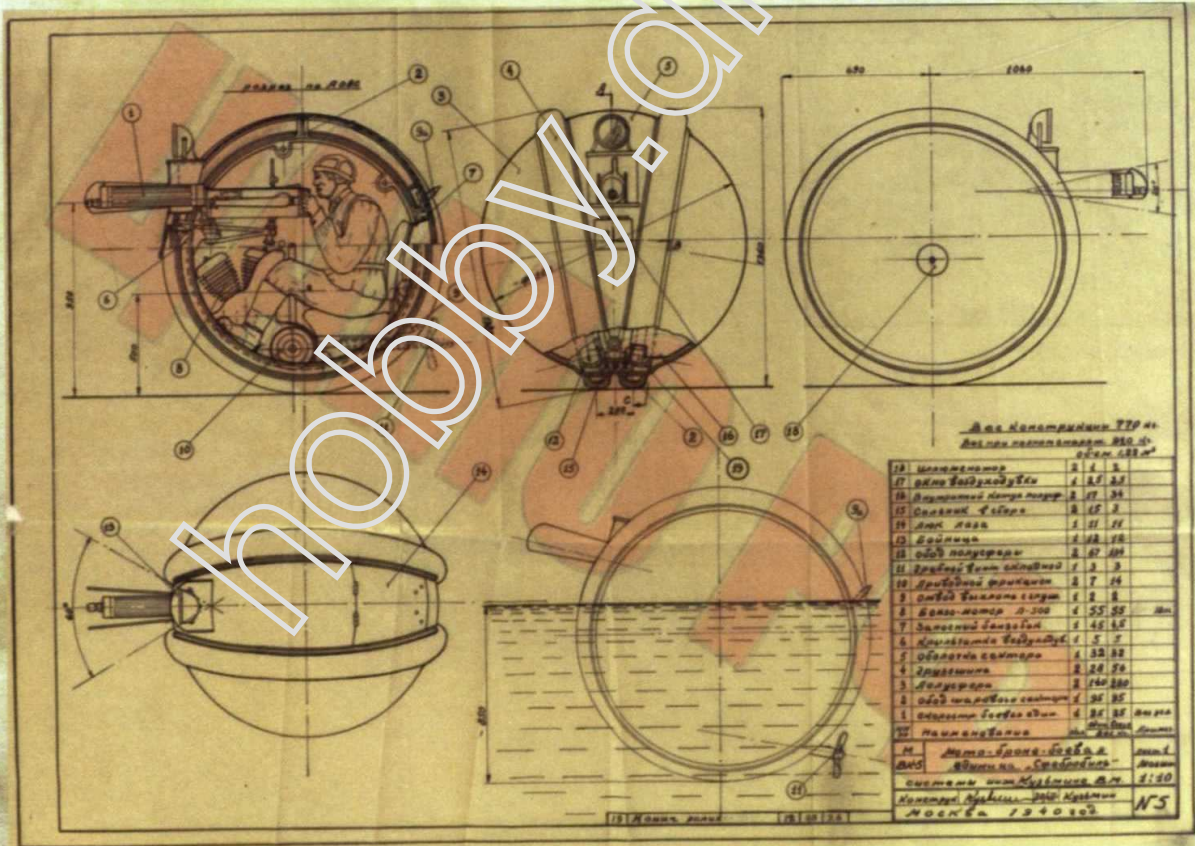
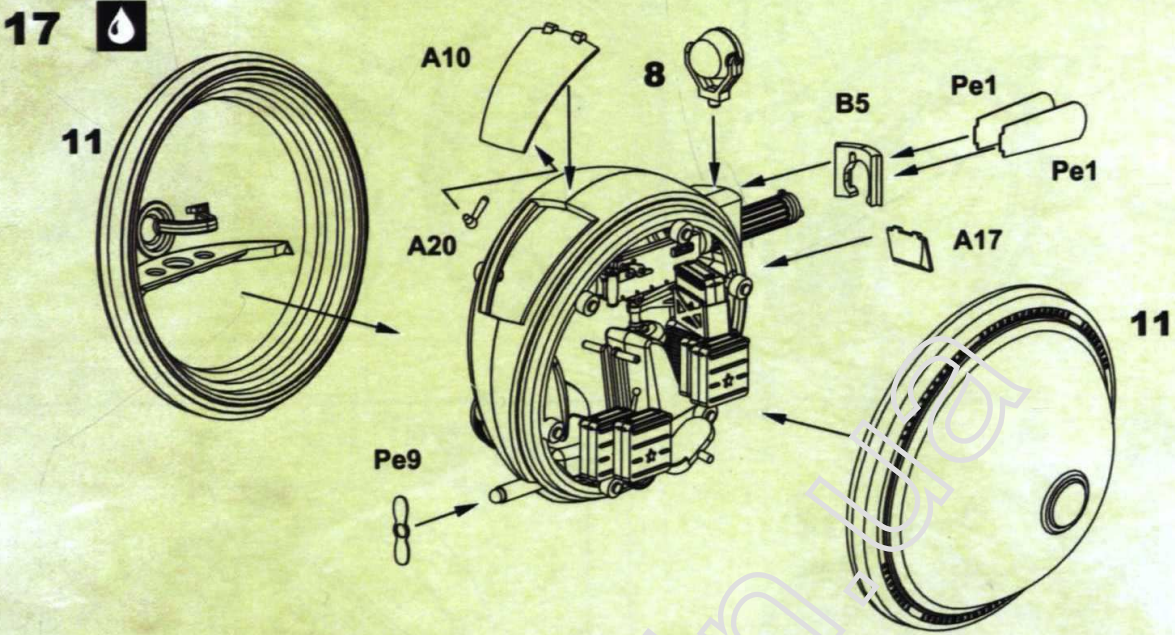
11



10







- BE CAREFUL**
ОСТОРОЖНО
- DON'T CEMENT**
НЕ КЛЕИТЬ
- REMOVE**
РЕЗАТЬ
- SYMMETRICAL**
СИММЕТРИЧНО
- MAKE TWO**
УДВОИТЬ
- OPTIONAL**
НЕОБЯЗАТЕЛЬНО
- BEND**
СОГНУТЬ
- OPEN WHOLE**
СВЕРЛИТЬ
- CEMENT**
КЛЕИТЬ
- VARIANTS**
ВЫБОР ВАРИАНТА