



# Dewoitine D.501L

In 1936 the French company Dewoitine had to submit to the Lithuanian military aviation a new single fighter plane D.372 under the contract. However, the adoption of airplanes revealed structural defects and turned out to be insufficiently resistant. Our Admissions Commissioners are plc. Itn Antanas Gavelis and mjr. Jonas Mikėnas refused to accept these fighters.

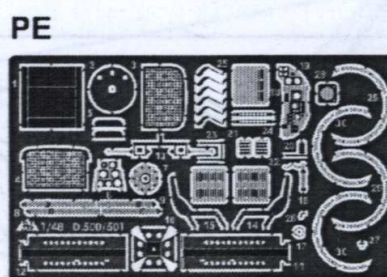
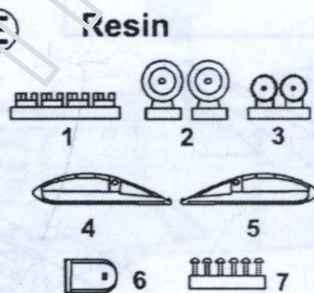
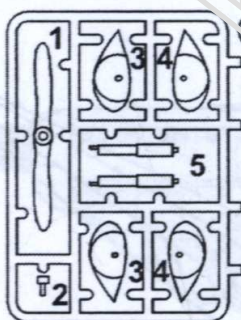
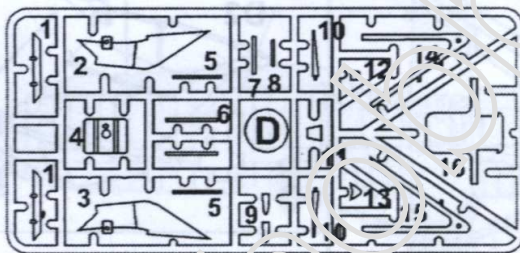
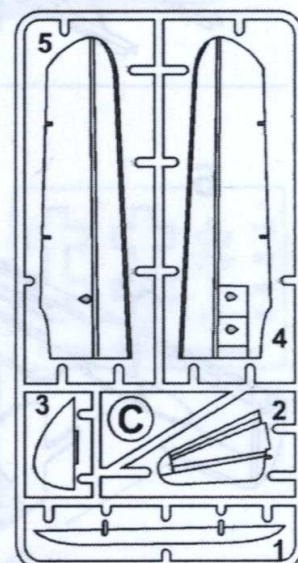
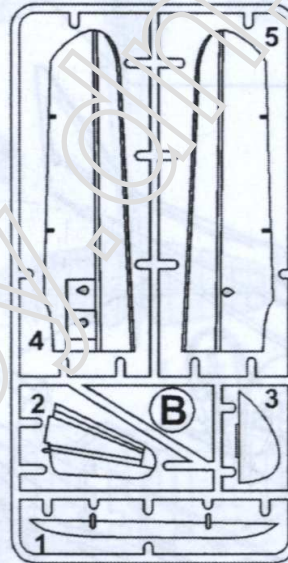
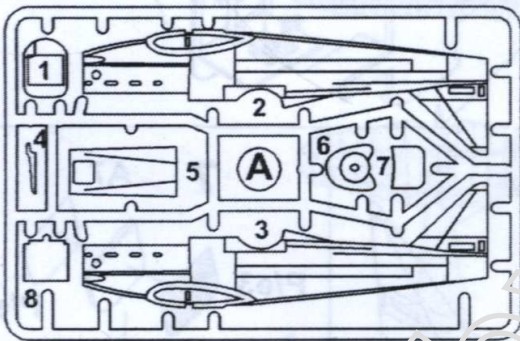
After a long negotiation, the company agreed to change the contract and to submit to Lithuania other fighter jets D.501 launched at the time for the French war aviation series.

The Dewoitine D.501 L series, which was specially designed for our aviation industry, was reached by Lithuania in mid-December 1936. They were mounted by a factory mechanic, and airplanes were tested by our pilots. The first squadron was armed with the launch of the aircraft.

1939 On September 1, when the Second World War was launched, a state of emergency was declared in Lithuania, and the 1st squadron's pilots kept coming to the air.

After Lithuania regained its position in Vilnius, the 1st squadron of Dewoitine D.501 L fighter planes, along with the other six squadrons in 1939, November 1 participated in a representative flight over the old capital of the country.

On the fifth of June 1940, the squadron was at summer exercises at the Palanga field aerodroma. The aircrafts were taken over by the Red Army and the pilots canceled to Kaunas. The thirteen Dewoitine D.501 L marked with the Cross of Vytyis here and this way remained until the German-Russian war began.

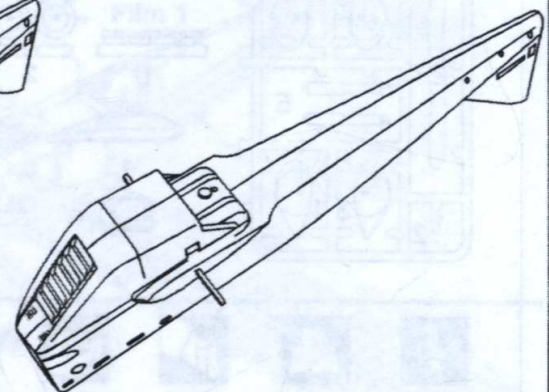
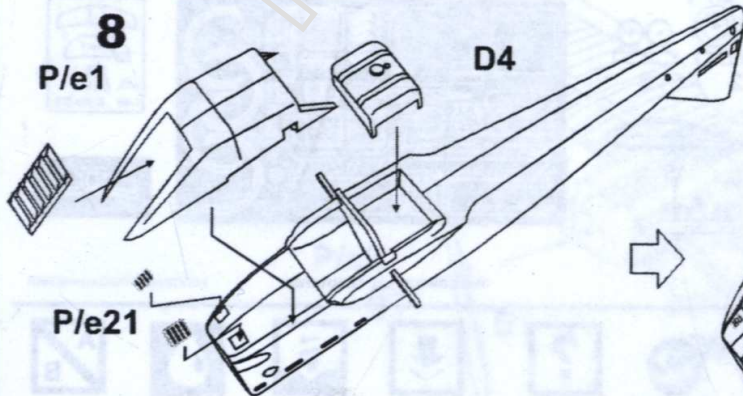
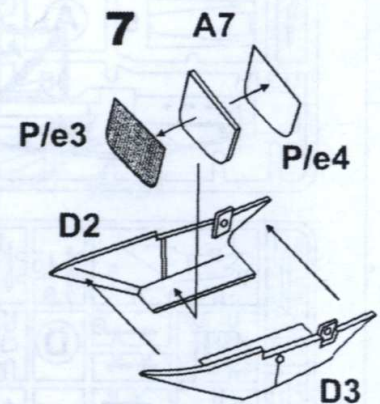
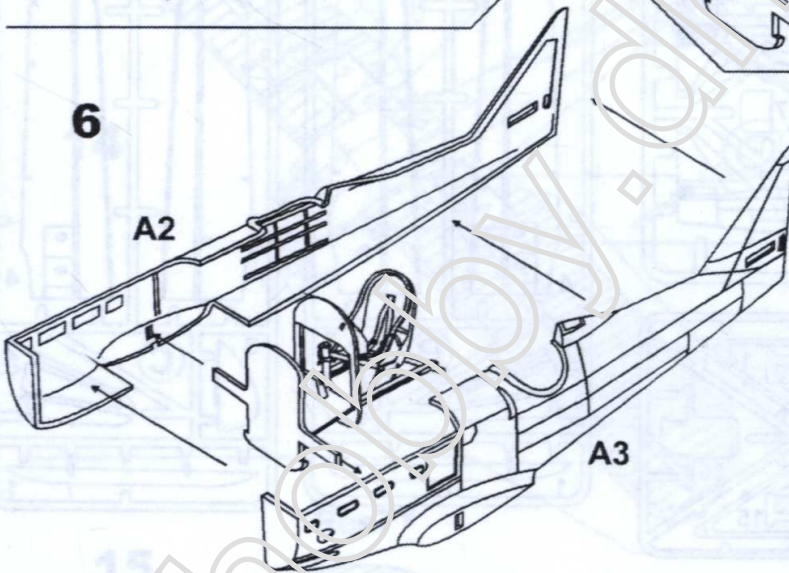
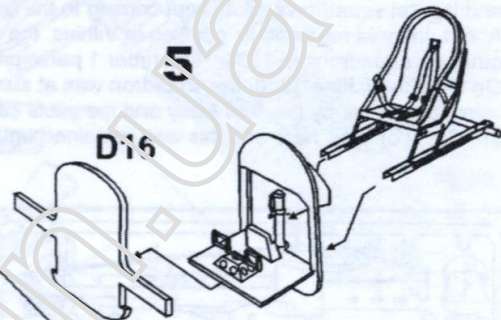
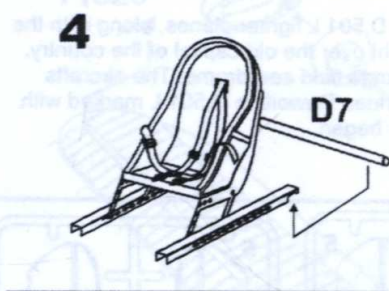
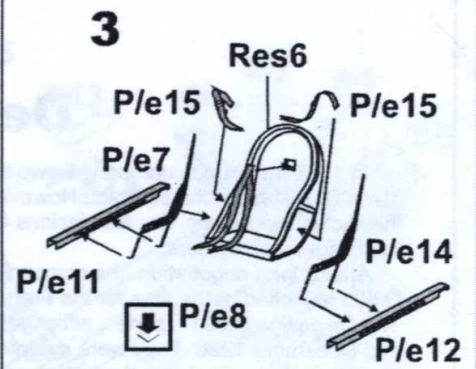
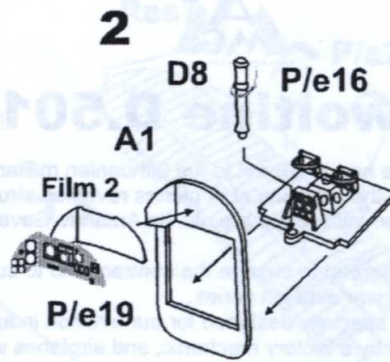
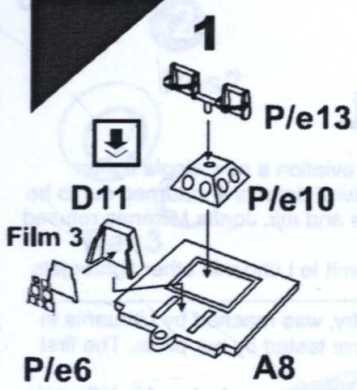


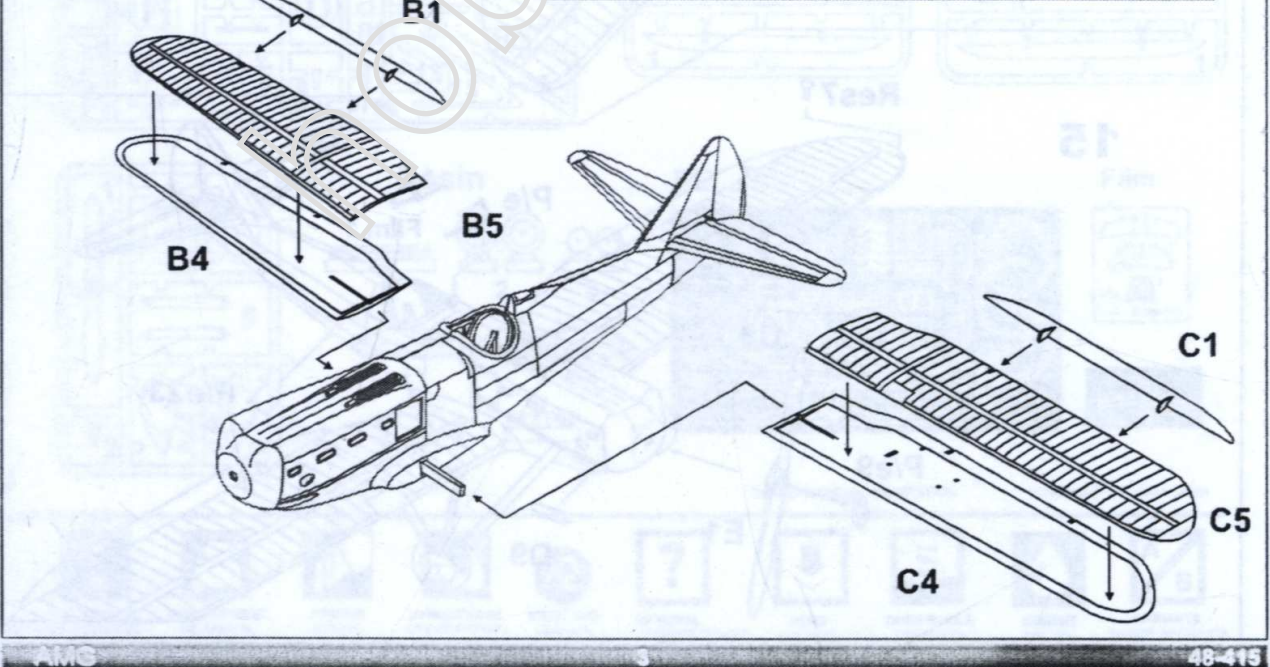
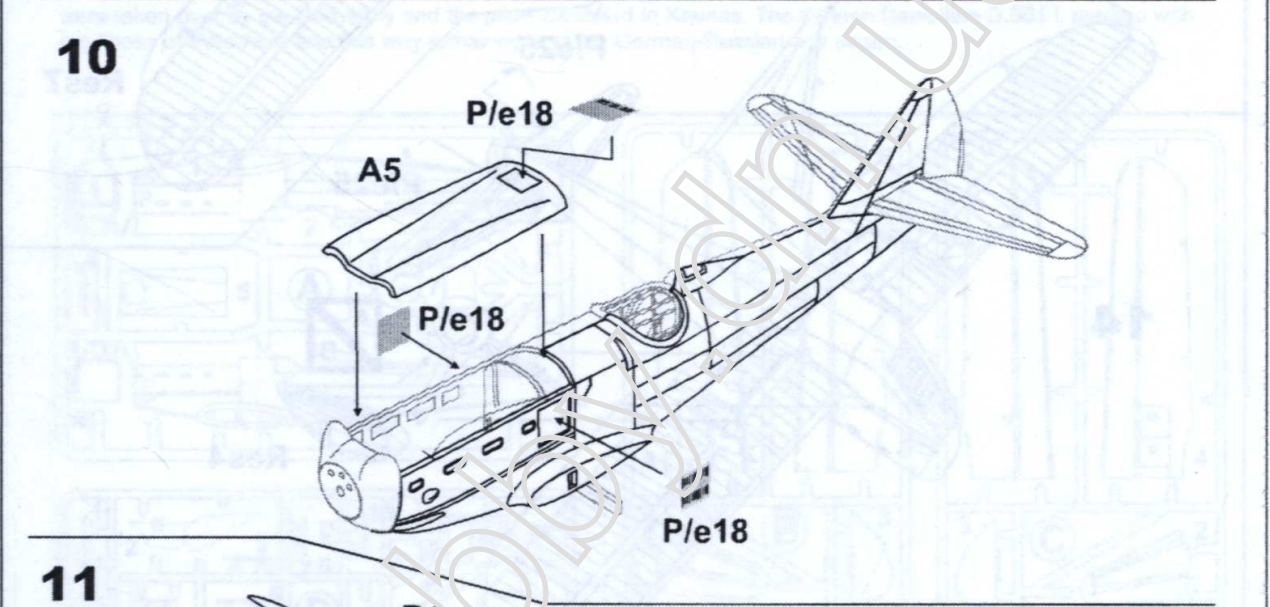
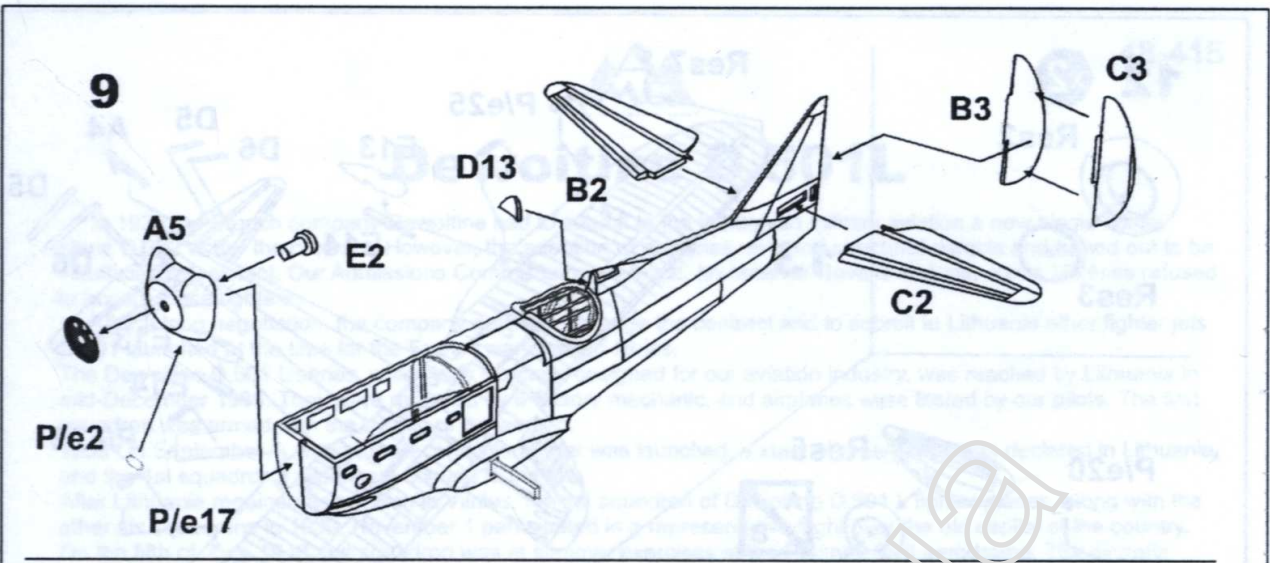
THE CONDITIONAL DENOTATION

УСЛОВНЫЕ ОБОЗНАЧЕНИЯ

BE CAREFUL ОСТОРОЖНО	DON'T CEMENT НЕ КЛЕИТЬ	REMOVE РЕЗАТЬ	SYMMETRICAL СИММЕТРИЧНО	MAKE TWO УДВОИТЬ	OPTIONAL НЕОБЯЗАТЕЛЬНО	BEND СОГНУТЬ	OPEN WHOLE СВЕРЛИТЬ	CEMENT КЛЕИТЬ	VARIANTS ВЫБОР ВАРИАНТА

ASSEMBLY MANUAL

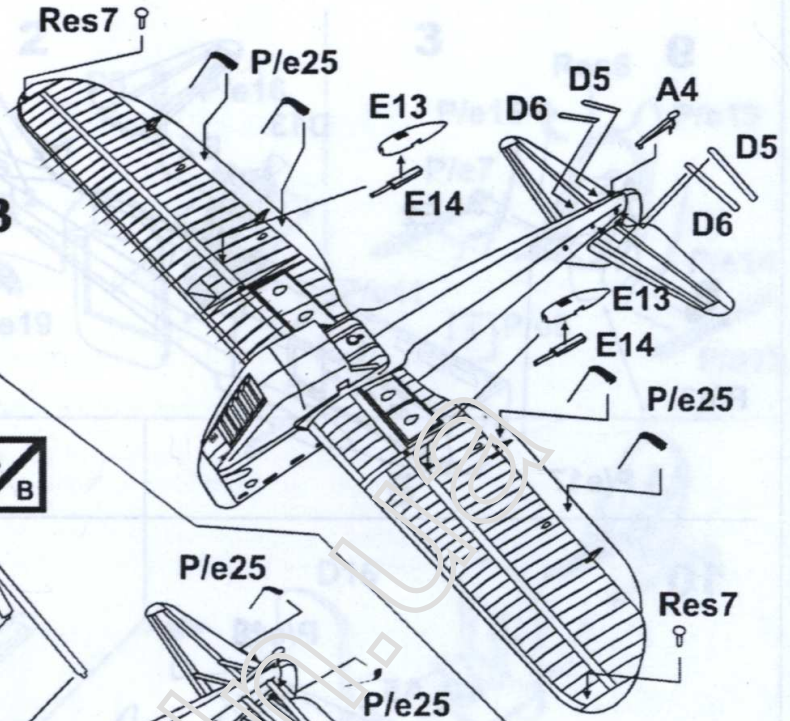




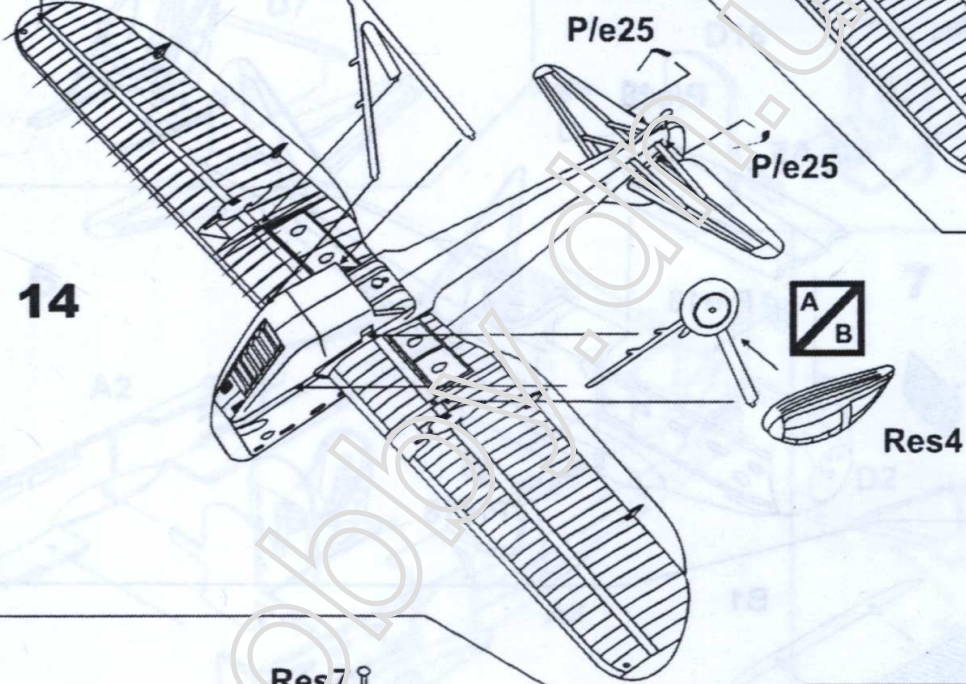
12 **x2**



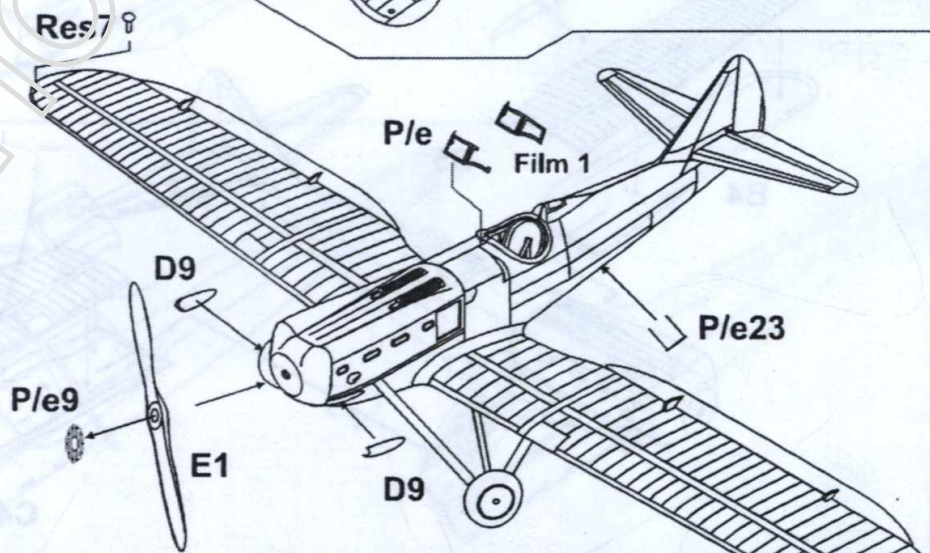
13

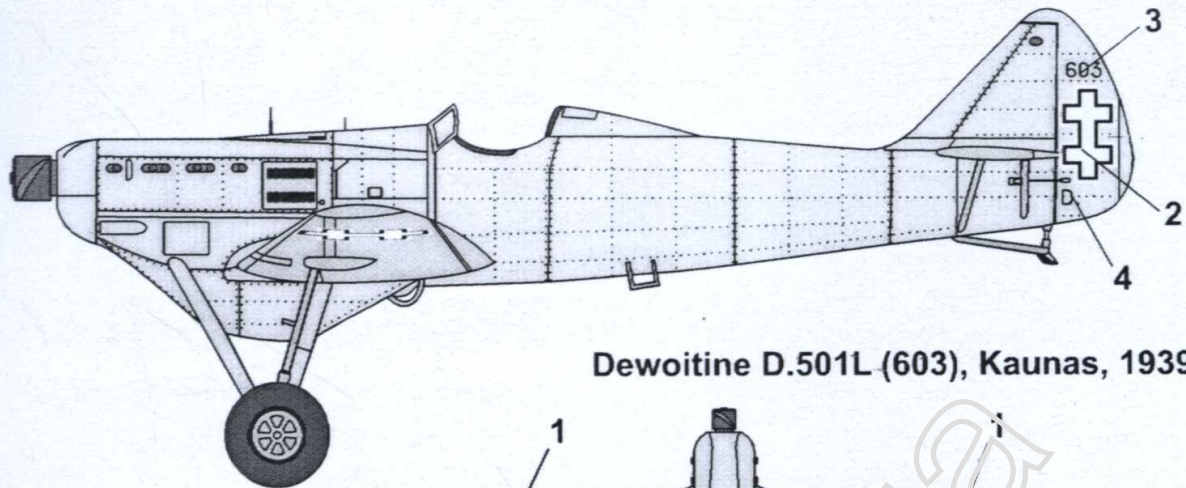


14

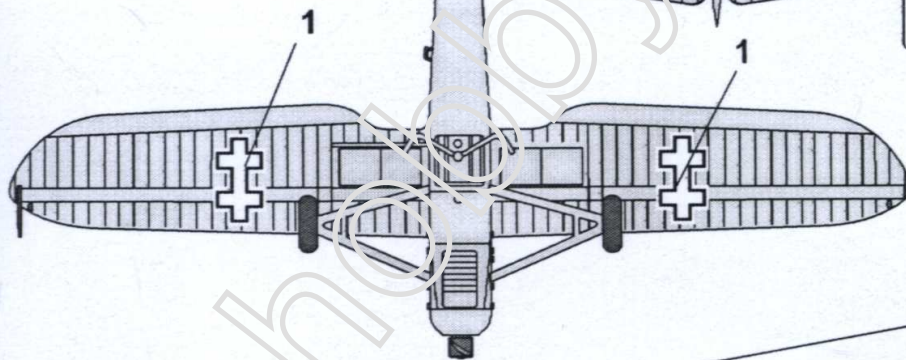
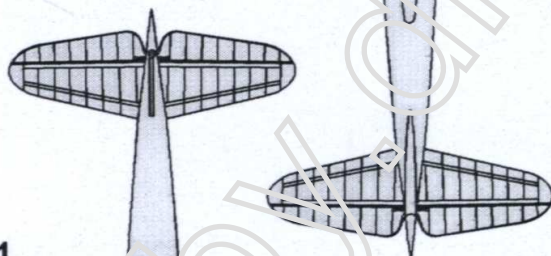
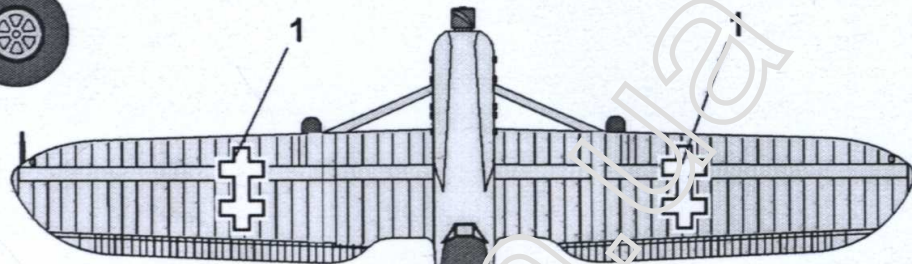


15

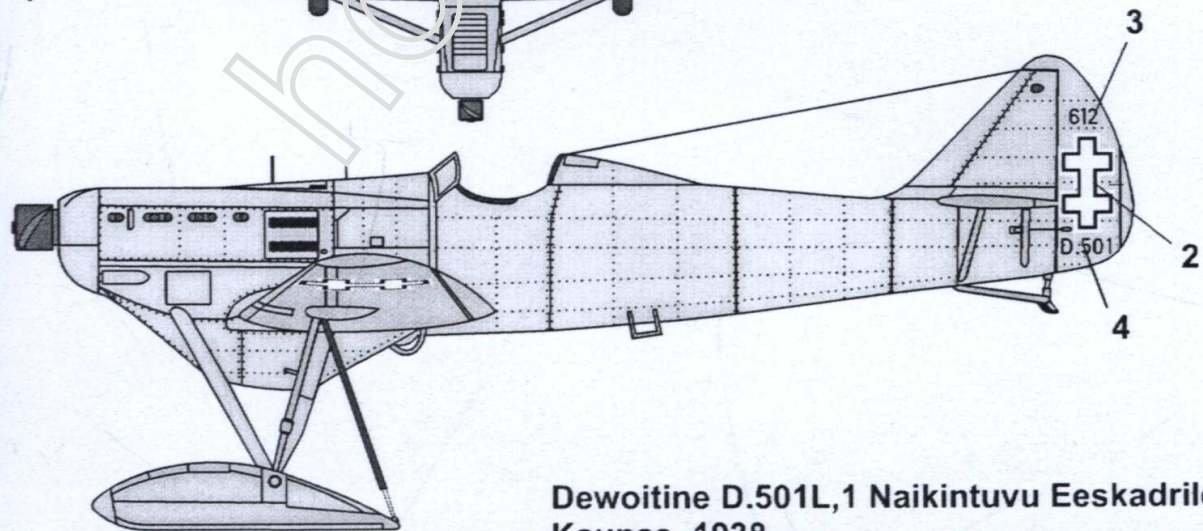




Dewoitine D.501L (603), Kaunas, 1939



1	2	3
603	605	610
	4	D.501
		612
D.501L Lithuanian Air Force		



Dewoitine D.501L, 1 Naikintuvu Eeskadrile, Kaunas, 1938