

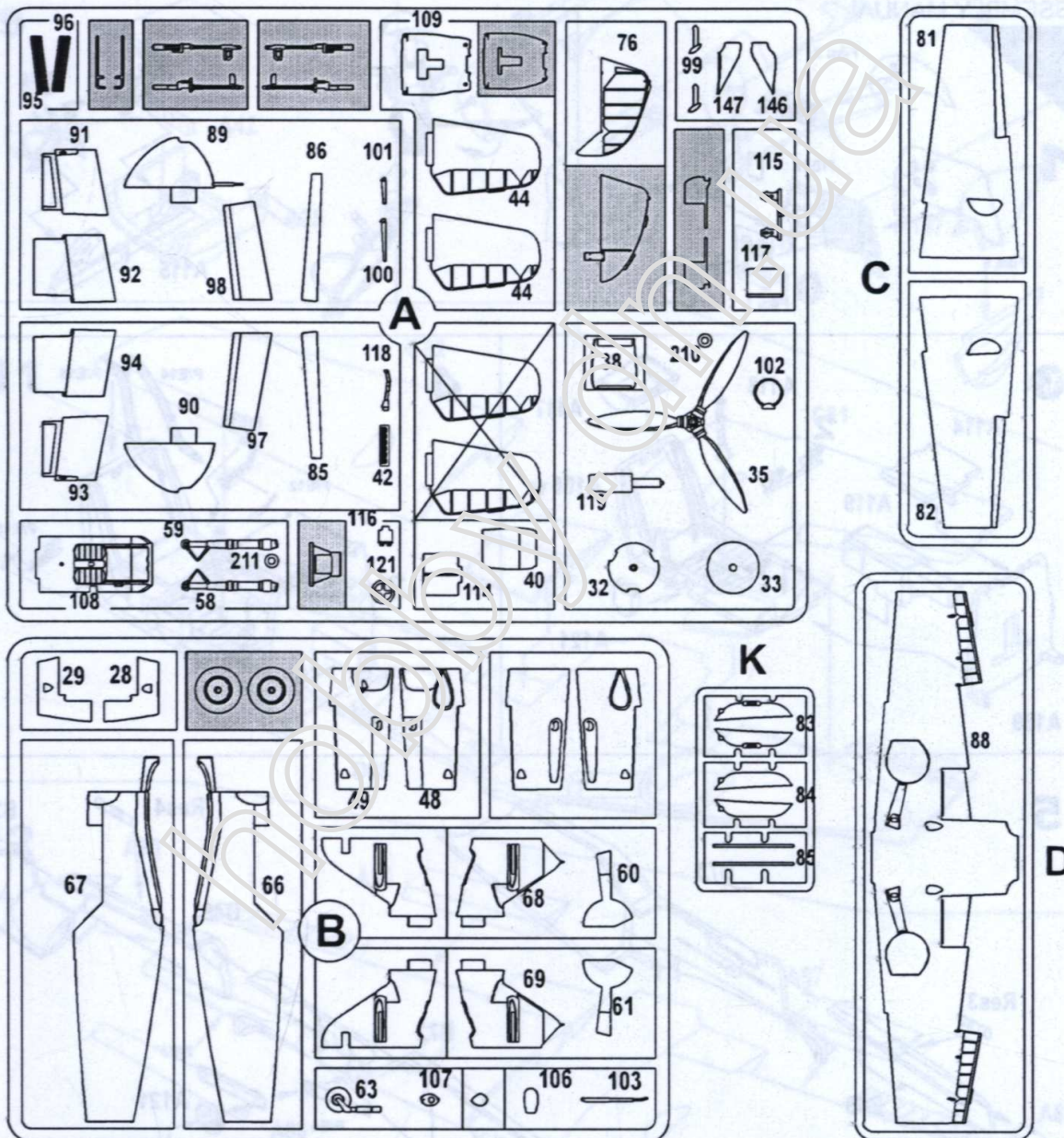


№ 48-708

# Messerschmitt BF.109 G captured, USSR

During the Battle of Stalingrad in 1942 near Proleika Me-109G of 3./JG 3"Udet" was captured the Russians. Capt. Proshakov went to the region to examine that Me109. After repairing it the flew to NII VVS repair facilities on 25.12.42. NII VVS director determined the main aim of the research to compare the plane with Yak-1, Yak-7b, Yak-9, La-5 and other Soviet & Lend-Lease fighters.

In May 1943 the Russians captured one more Gustav. In october 1943 1st test flight was performed by test-pilot A.G.Proshakov. In may 1944 combat simulation was carried out between Me 109G and latest Soviet fighter - Yak-3.



THE CONDITIONAL DENOTATION УСЛОВНЫЕ ОБОЗНАЧЕНИЯ



BE CAREFUL  
ОСТОРОЖНО



DON'T CEMENT  
НЕ КЛЕЙТЬ



REMOVE  
РЕЗАТЬ



SYMMETRICAL  
СИММЕТРИЧНО



MAKE TWO  
УДВОИТЬ



OPTIONAL  
НЕОБЯЗАТЕЛЬНО



BEND  
СОГНУТЬ



OPEN WHOLE  
СВЕРЛИТЬ



CEMENT  
КЛЕЙТЬ



VARIANTS  
ВЫБОР ВАРИАНТА



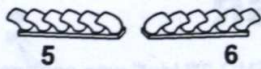
Resin



1



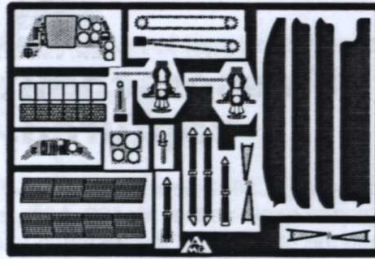
2 3 4



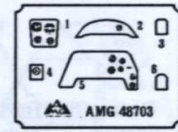
5

6

P/E



Film



Clear



1



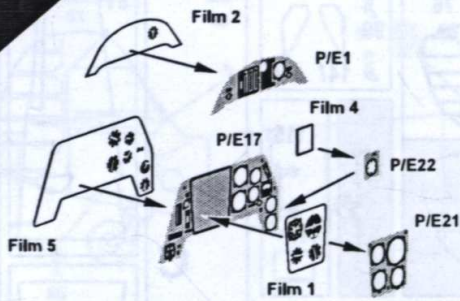
2



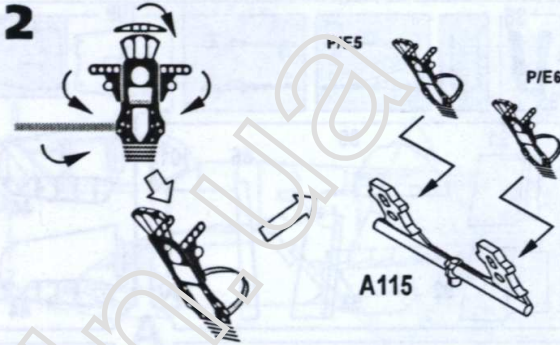
3

ASSEMBLY MANUAL

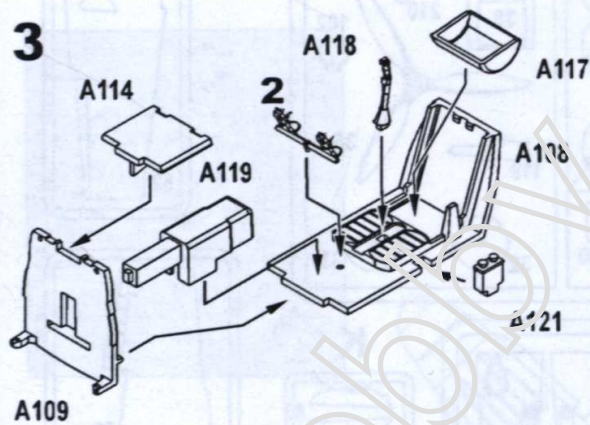
1



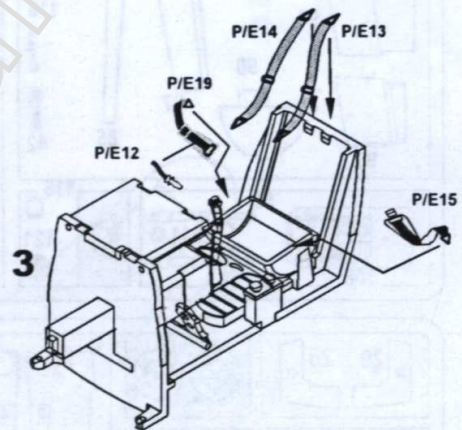
2



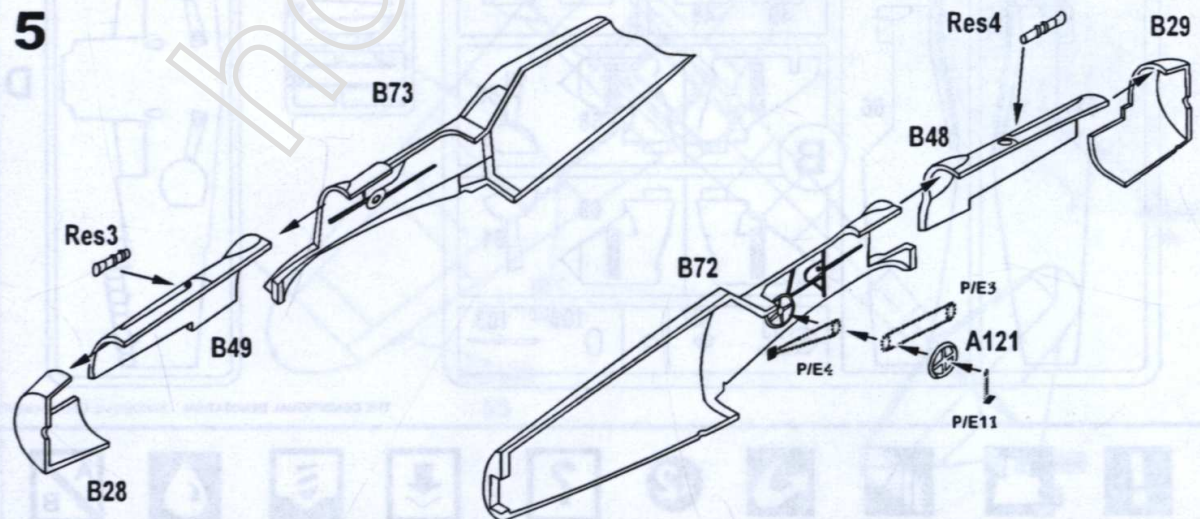
3



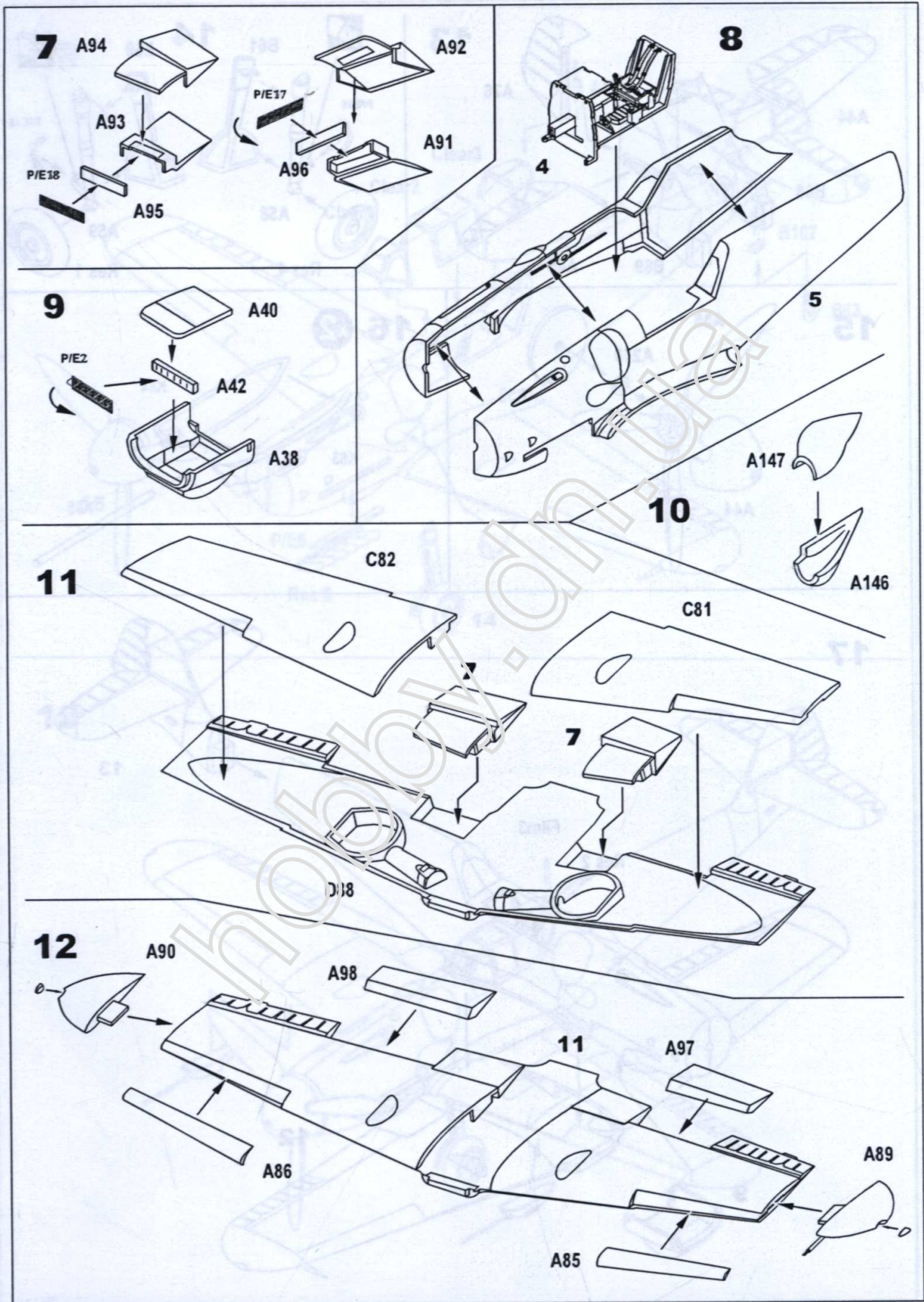
4



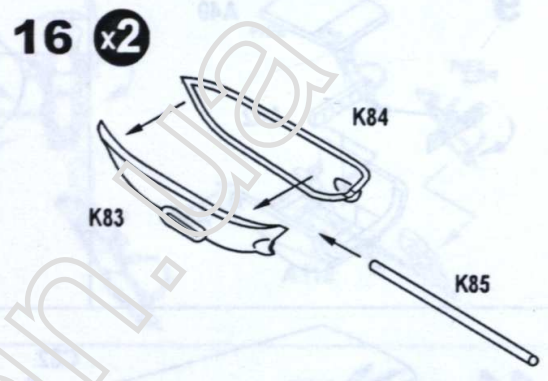
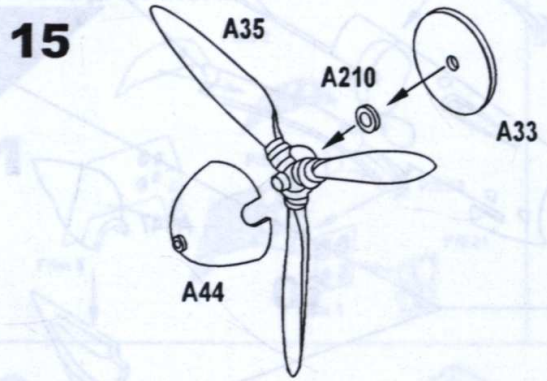
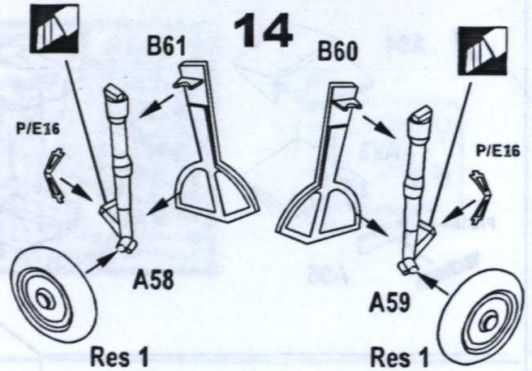
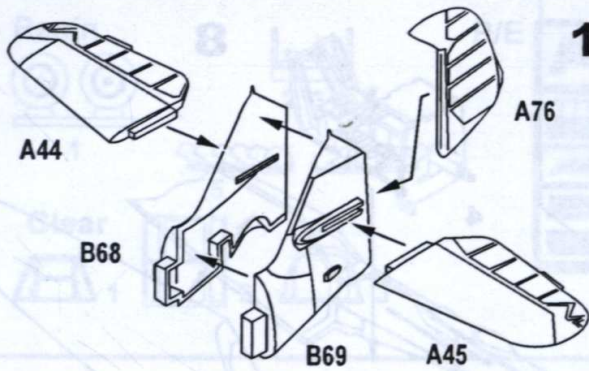
5



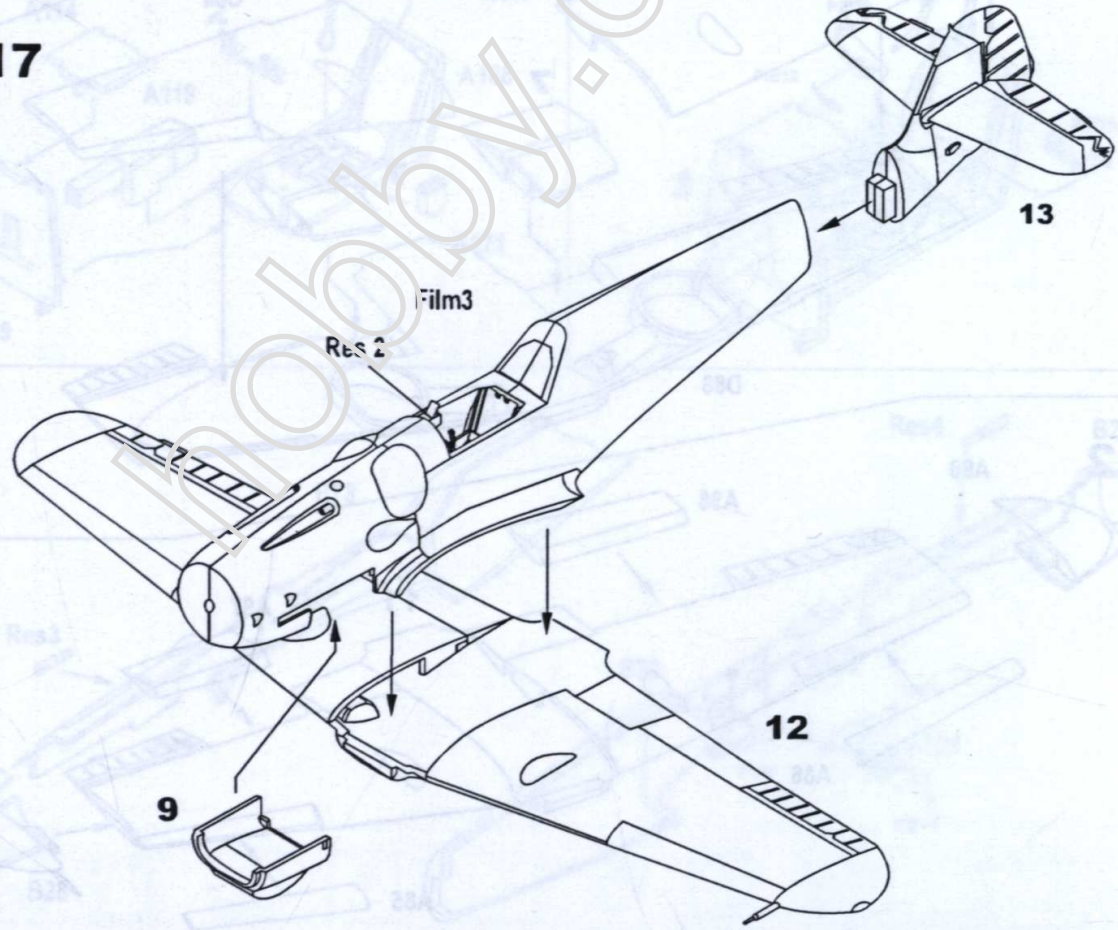






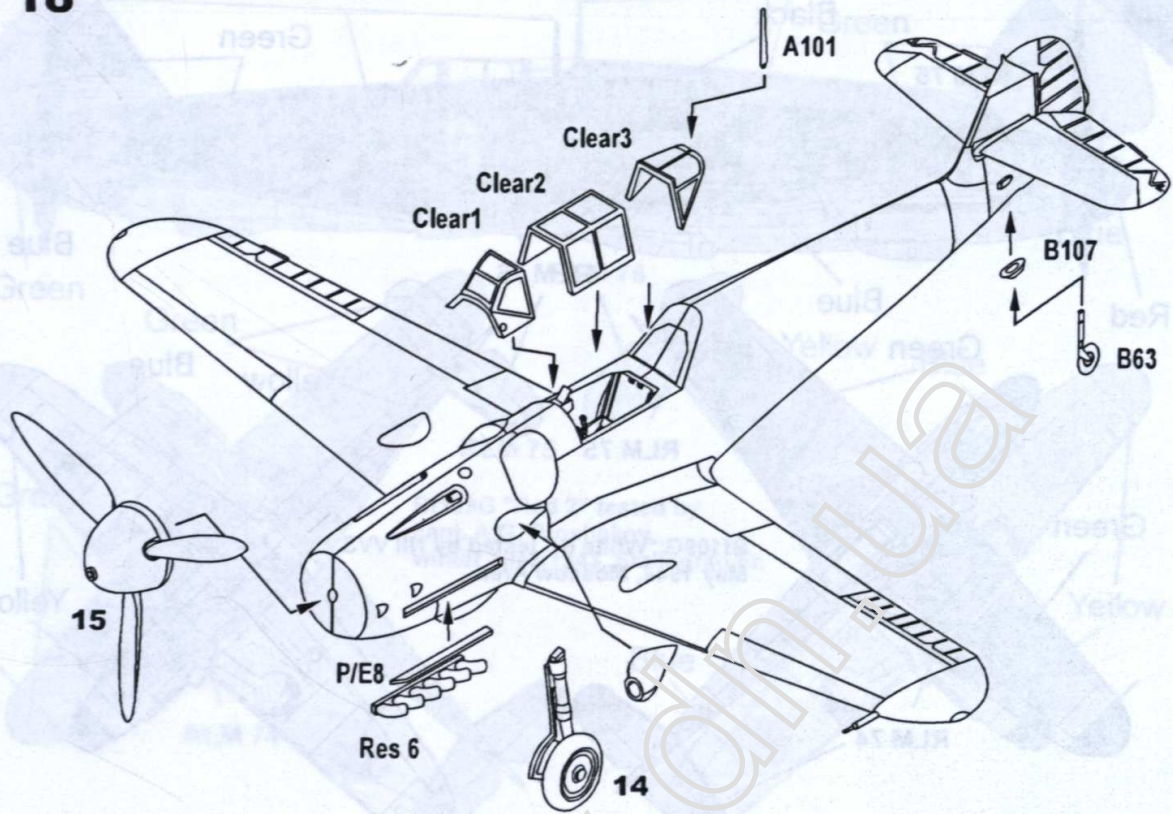


**17**

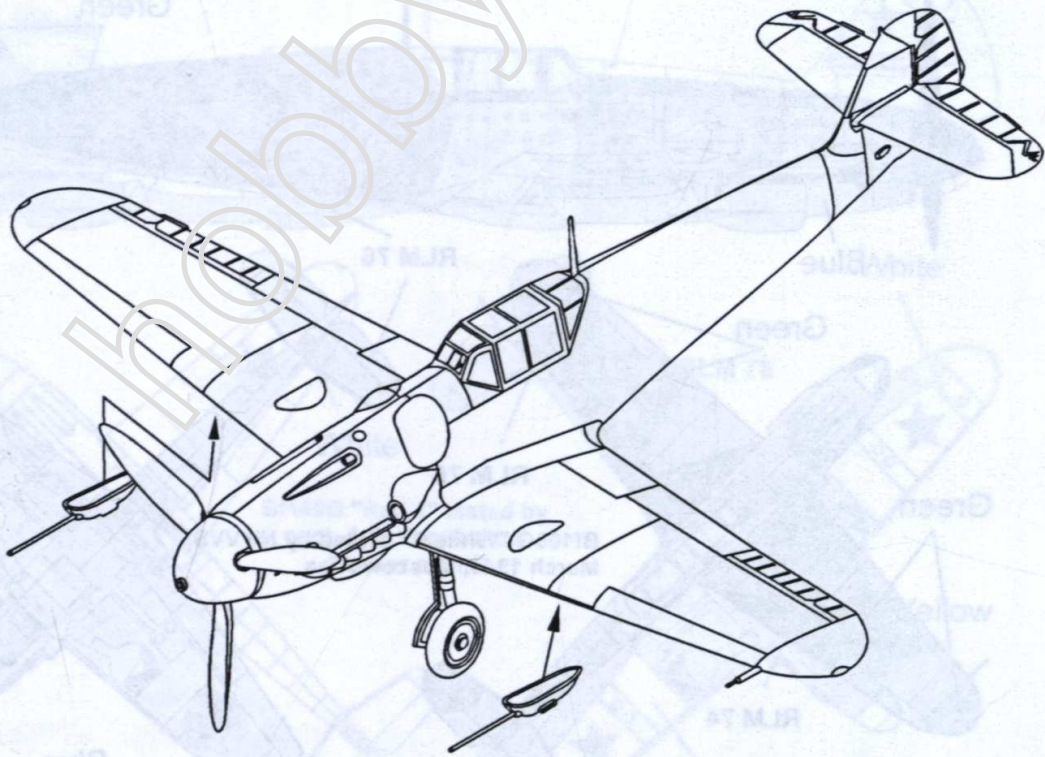




18



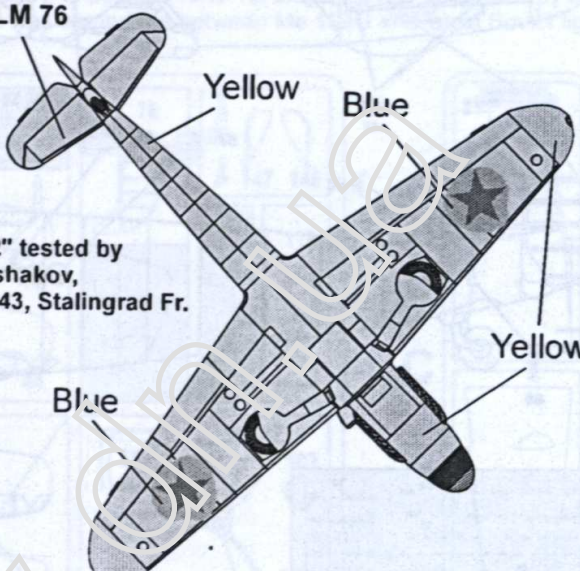
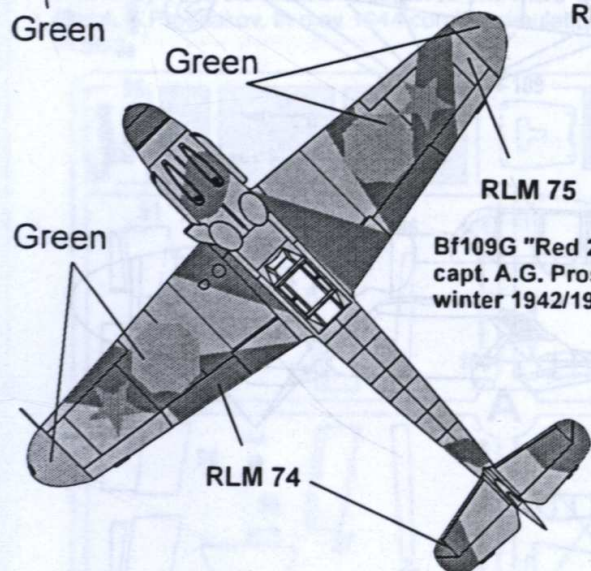
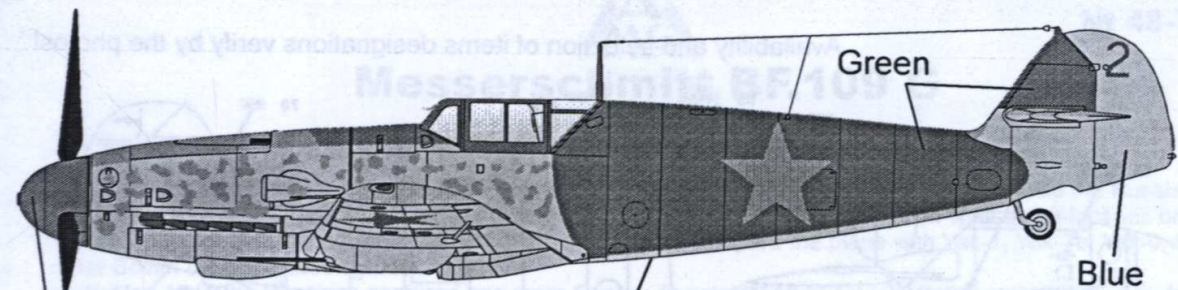
19



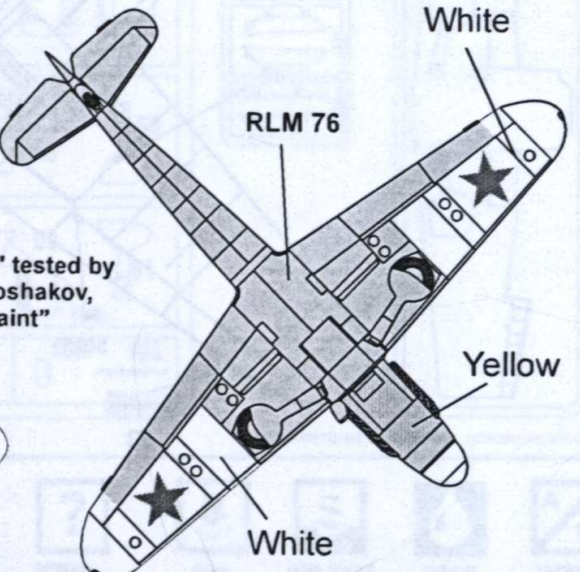
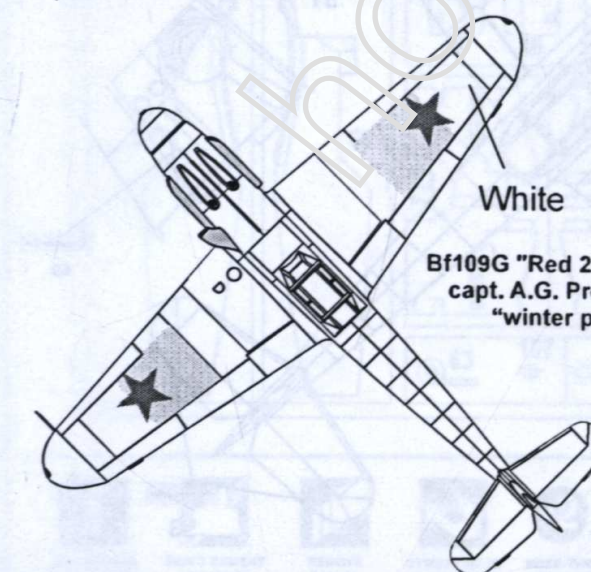
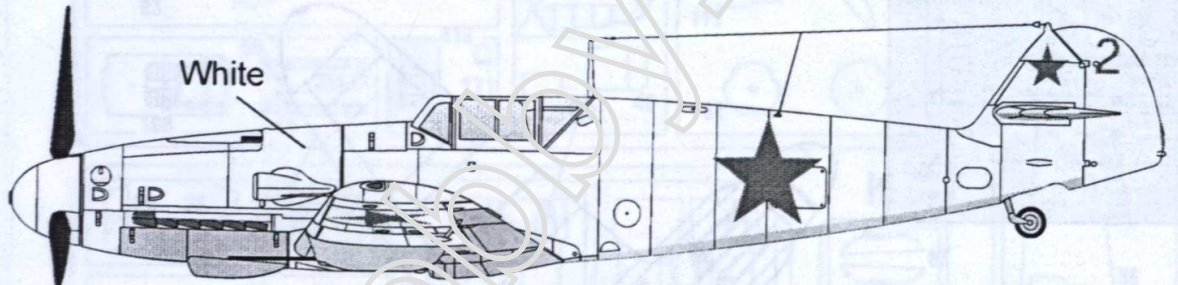








Bf109G "Red 2" tested by  
capt. A.G. Proshakov,  
winter 1942/1943, Stalingrad Fr.



Bf109G "Red 2" tested by  
capt. A.G. Proshakov,  
"winter paint"



