

Messerschmitt BF.109D Hungarian Air Force

The Messerschmitt Bf 109's versatility and time in service with both the German Luftwaffe and other foreign air forces, numerous variants were produced over the eight years of service with the Luftwaffe and even more were produced by its foreign service.

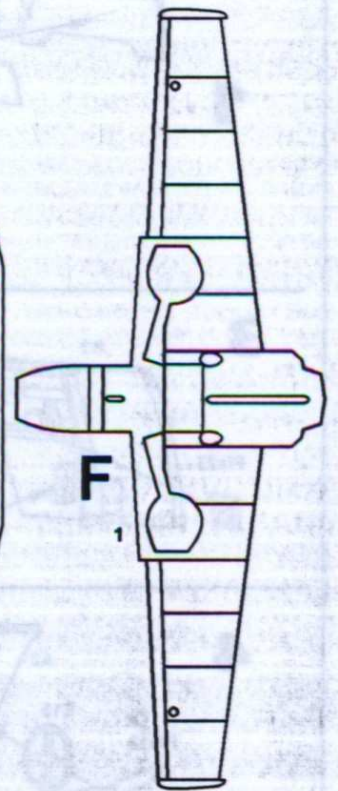
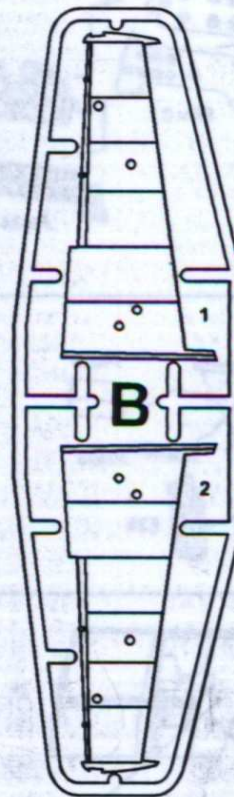
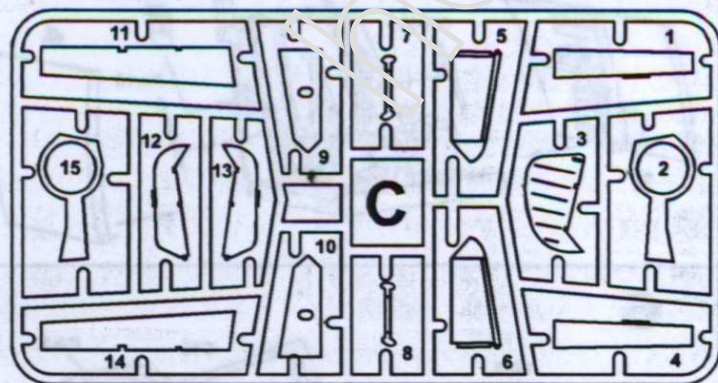
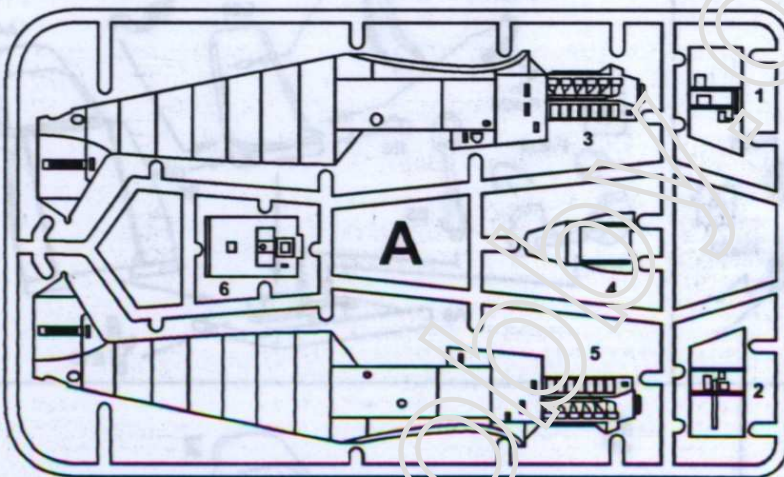
The Me 109D (codnamed "DORA") was the first major production model of the Messerschmitt Bf 109 fighter.

The D - 1 as eventually produced was thus very similar to the earlier "C" - series machines. Minor changes were made to the tail wheel, and the airframe had been slightly strengthened in preparation for the DB 600 engine. The 109D was armed with four MG 17 machine guns, two in the wings and above the engine cowling.

The Luftwaffe used two Air Fleets for the war on Poland - Luftflotte 1 'Cst' in the North (gen A.Kesselring) and in the south Luftflotte 4 Sudost (gen A.Lohr).

Overall, the Luftwaffe fielded 342 Bf 109 fighters. Two units were equipped with Bf 109Ds - I./JG 21 (Hptm M.Metting), 39 Bf109d on strength, in the North and I./JG 2 (Hptm J.Genzen - 1st Luftwaffe Ass of polish campaign'39) 45 Bf109C and D in the South.

It entered production in the spring of 1938. A total of 647 Bf 109D were built.



THE CONDITIONAL DENOTATION

УСЛОВНЫЕ ОБЪЕДИНЕНИЯ


 BE CAREFUL
ОСТОРОЖНО

 DON'T CEMENT
НЕ КЛЕИТЬ

 REMOVE
РЕЗАТЬ

 SYMMETRICAL
СИММЕТРИЧНО

 MAKE TWO
УДОБИТЬ

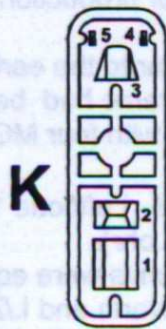
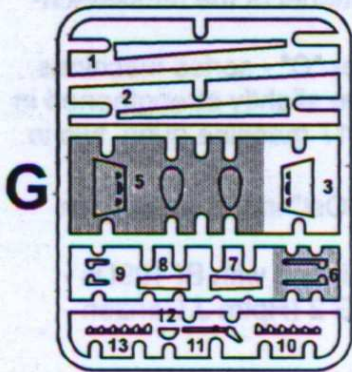
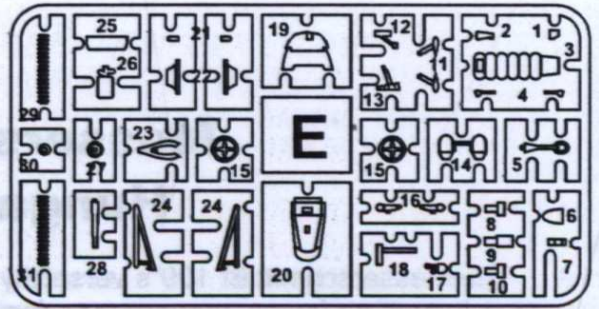
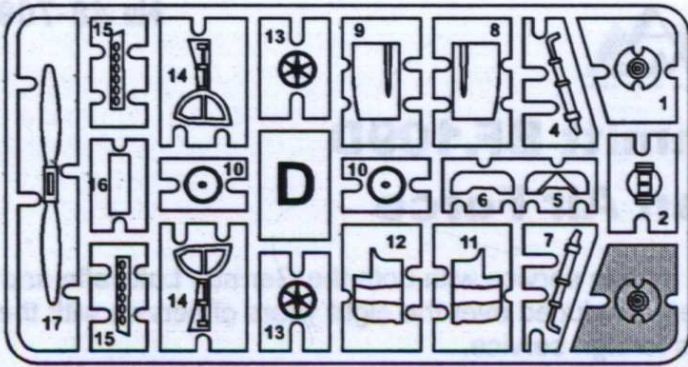
 OPTIONAL
НЕОБЯЗАТЕЛЬНО

 BEND
СОГНУТЬ

 OPEN WHOLE
СБЕРНИТЬ

 CEMENT
КЛЕИТЬ

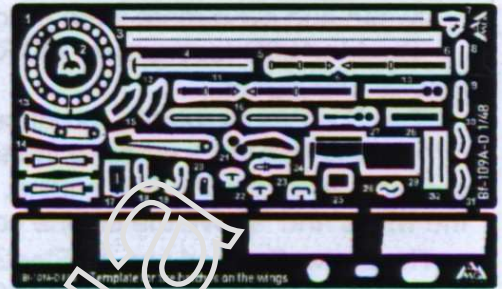
 VARIANTS
ВЫБОР ВАРИАНТА



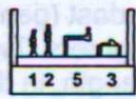
Film



P/e

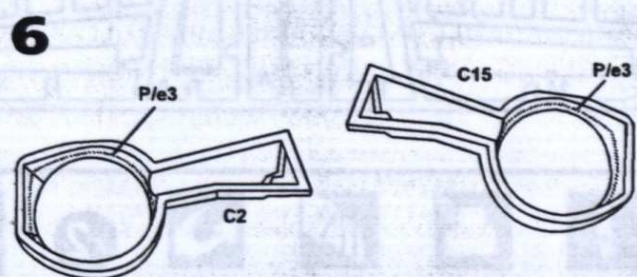
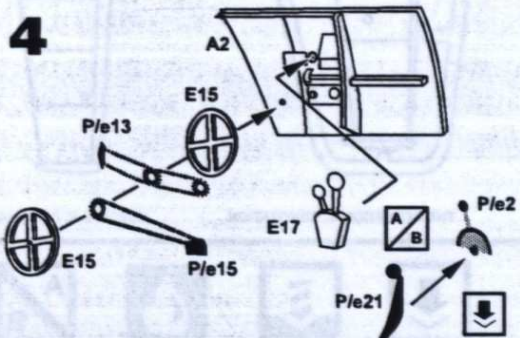
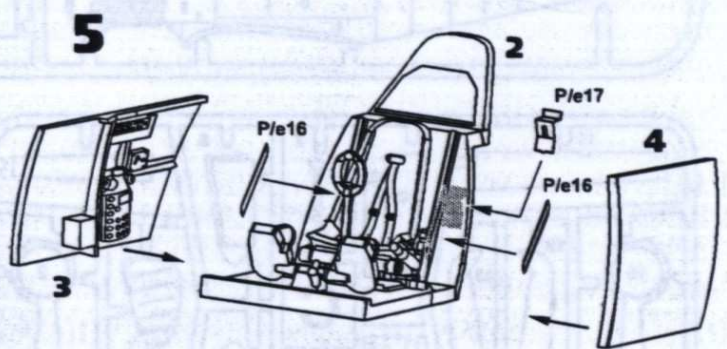
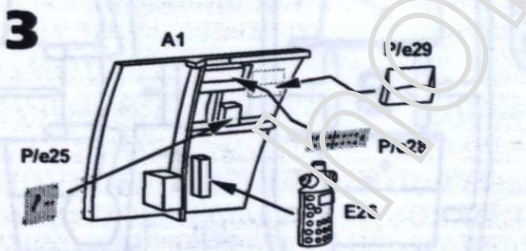
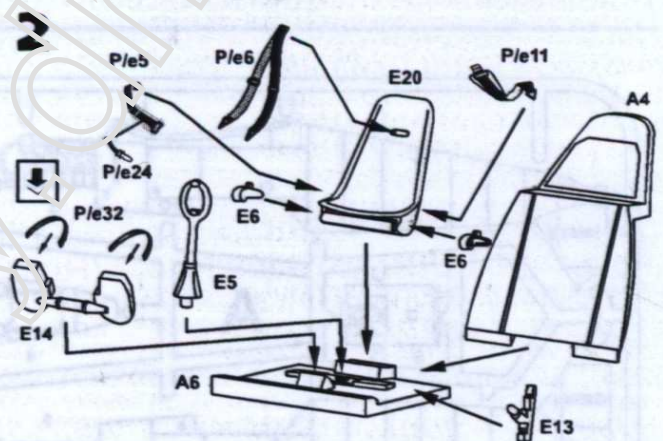
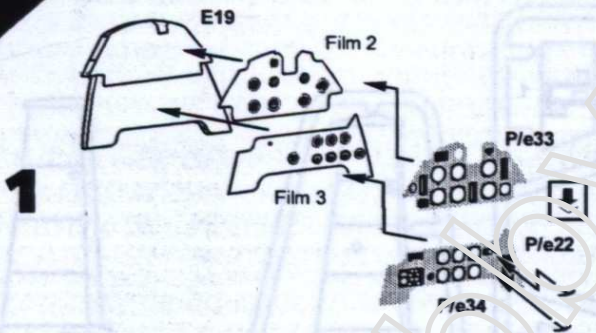


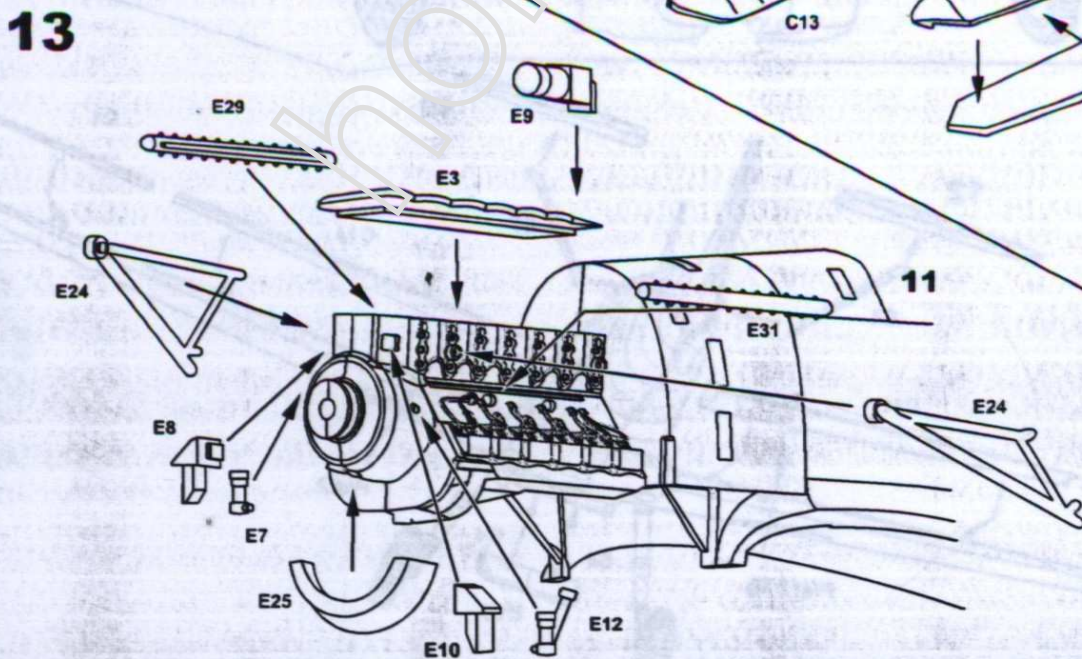
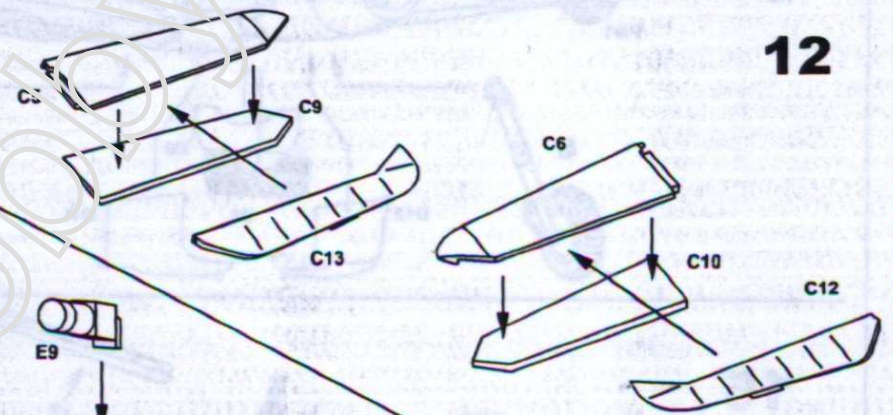
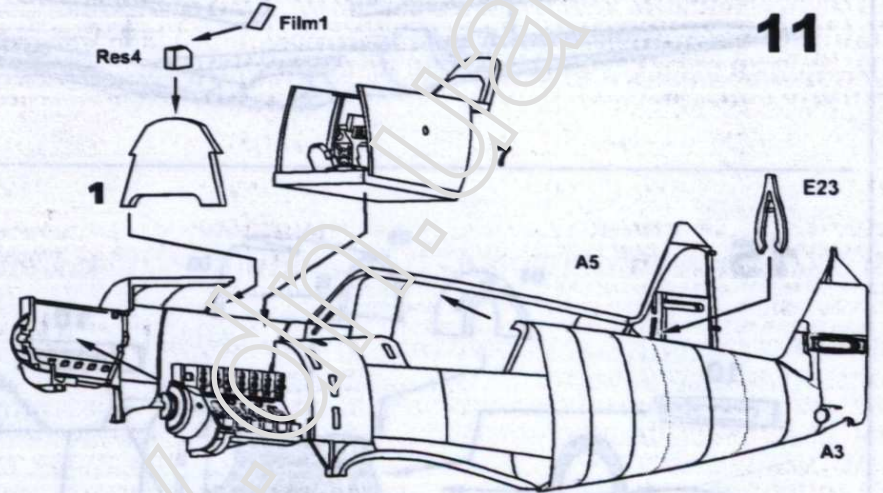
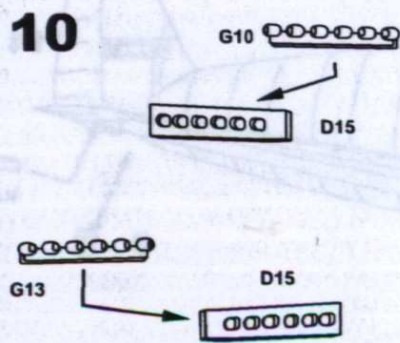
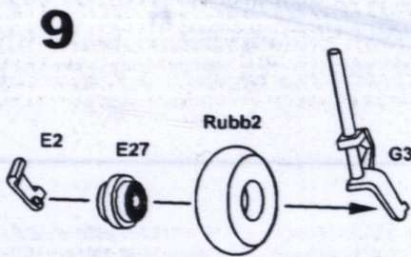
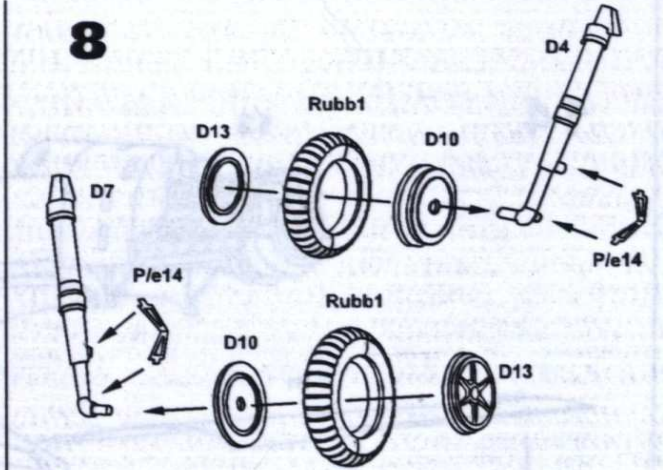
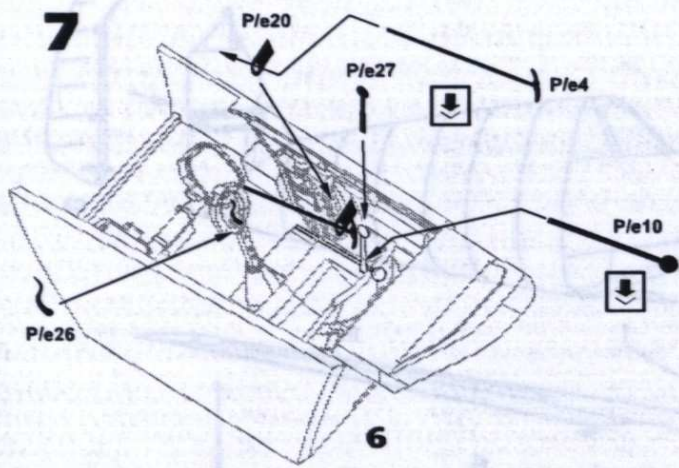
Rubber



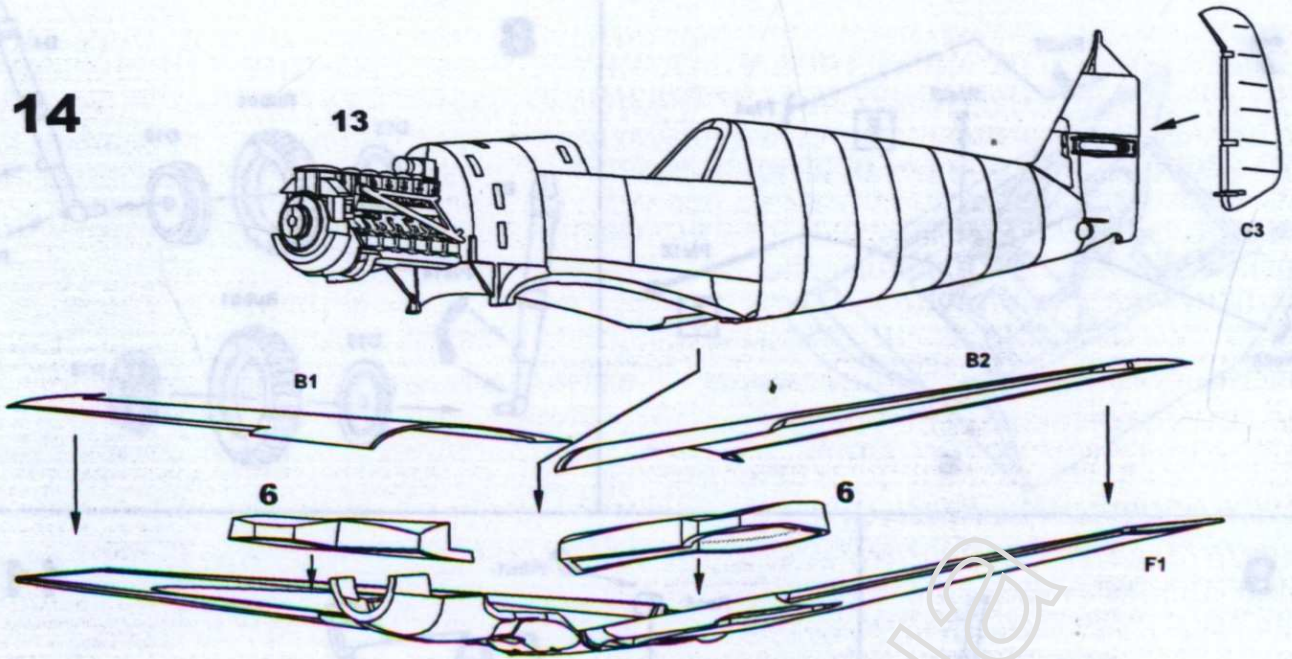
Resin

ASSEMBLY MANUAL

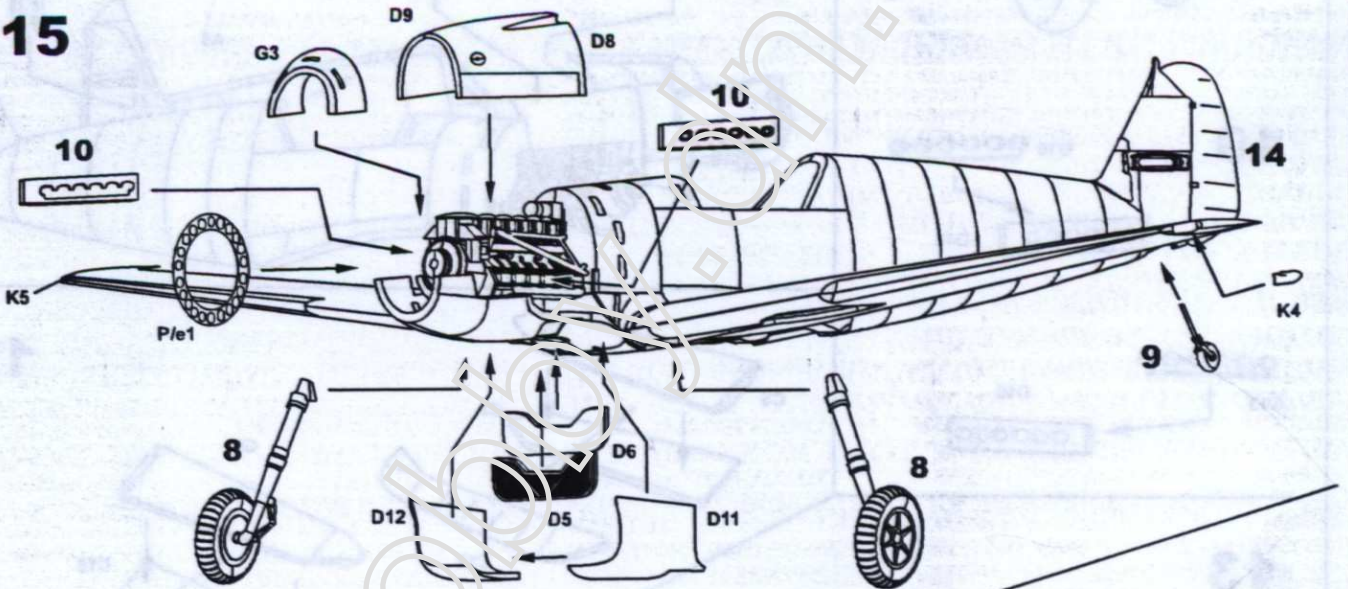




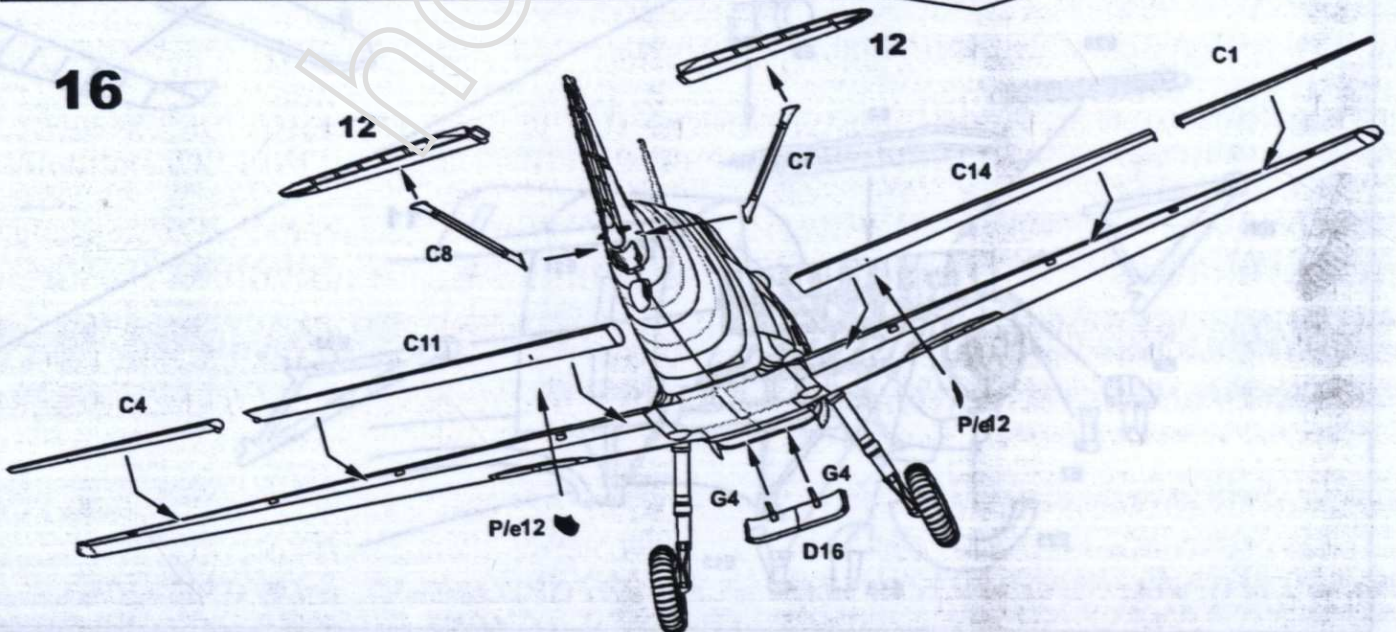
14



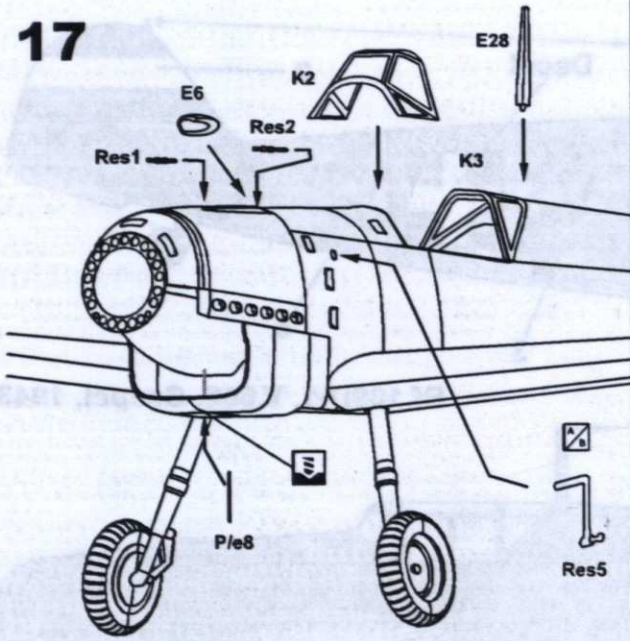
15



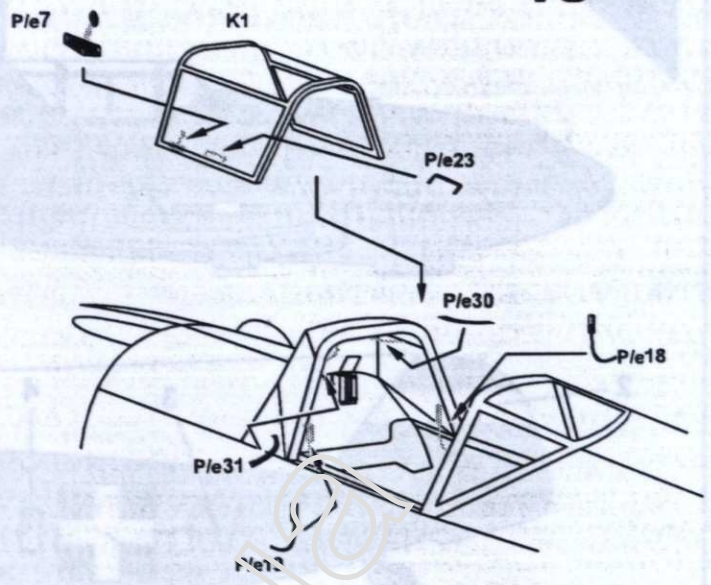
16



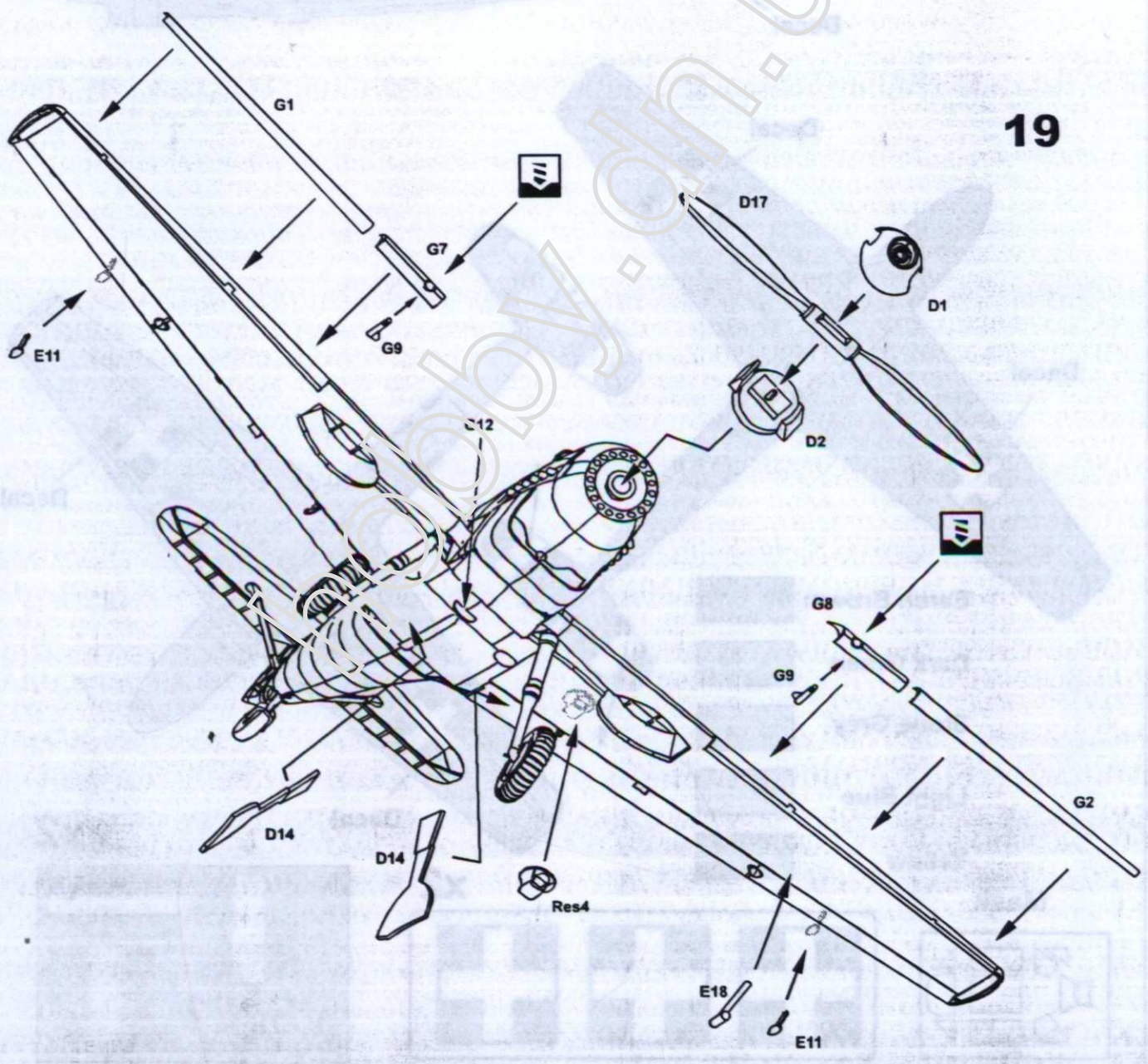
17

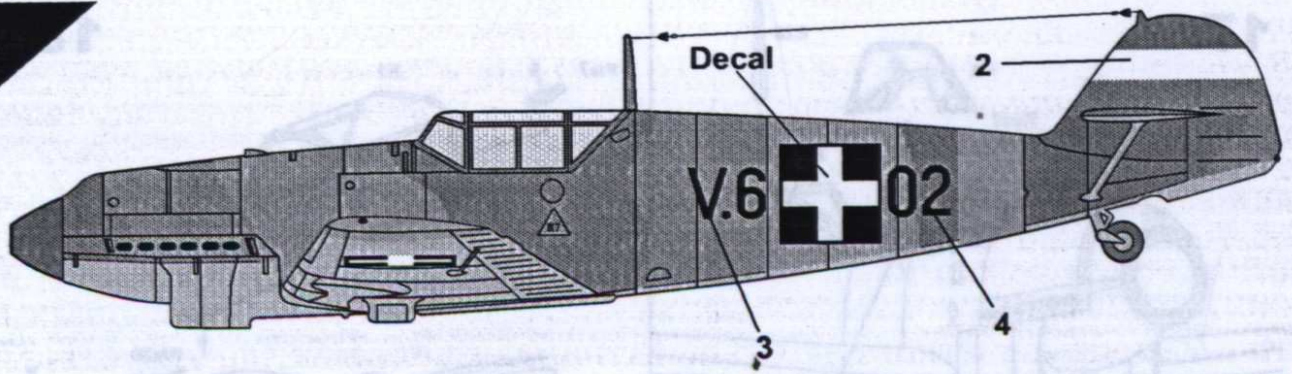


18

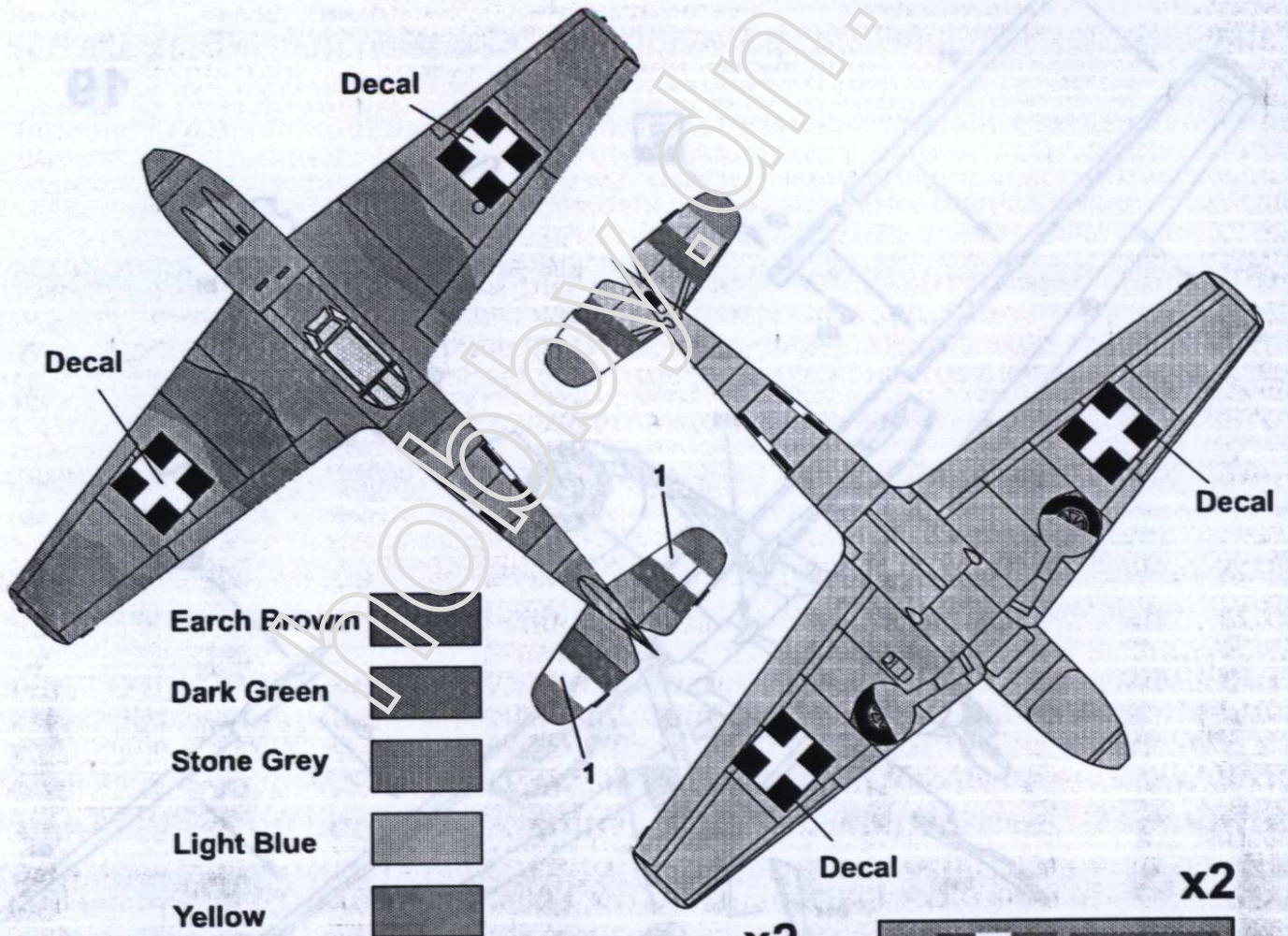
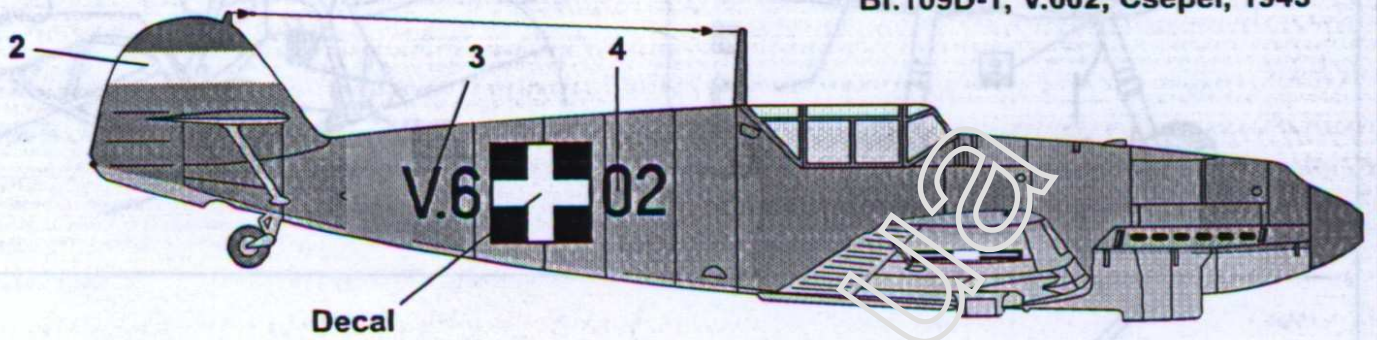


19



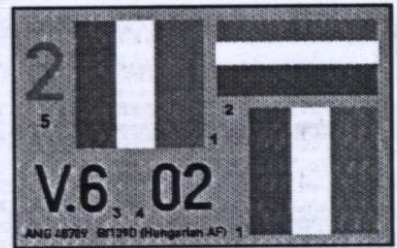
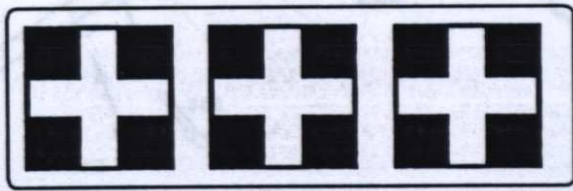
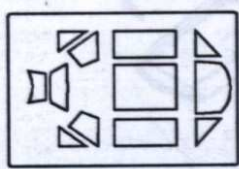


Bf.109D-1, V.602, Csepel, 1943



- Earch Brown
- Dark Green
- Stone Grey
- Light Blue
- Yellow

Mask



Availability and selection of items designations verify by the photos!

