

# Messerschmitt BF.109D Legion Condor

The Messerschmitt Bf 109's versatility and time in service with both the German Luftwaffe and other foreign air forces, numerous variants were produced over the eight years of service with the Luftwaffe and even more were produced by its foreign service.

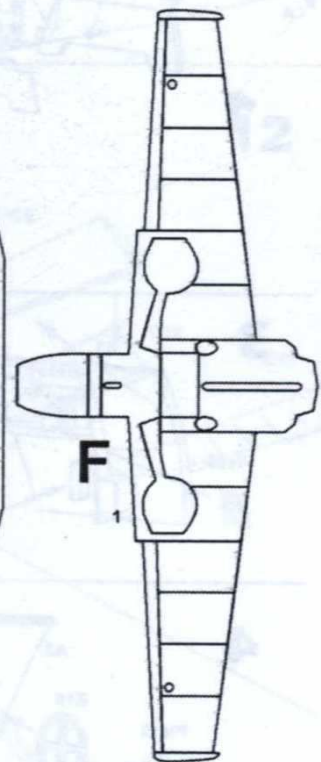
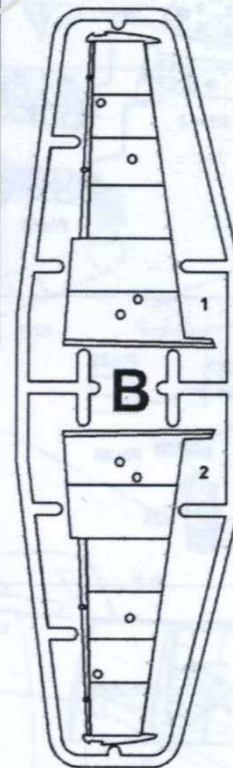
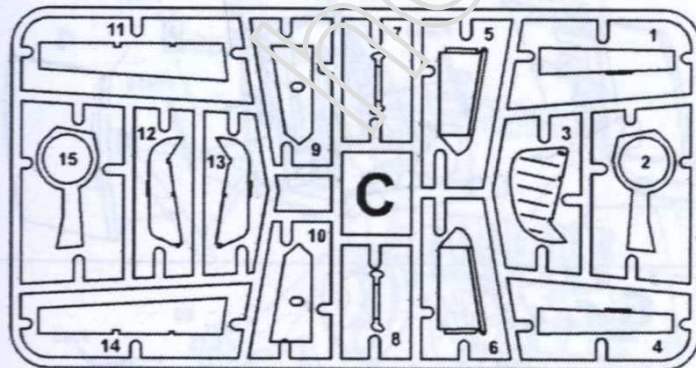
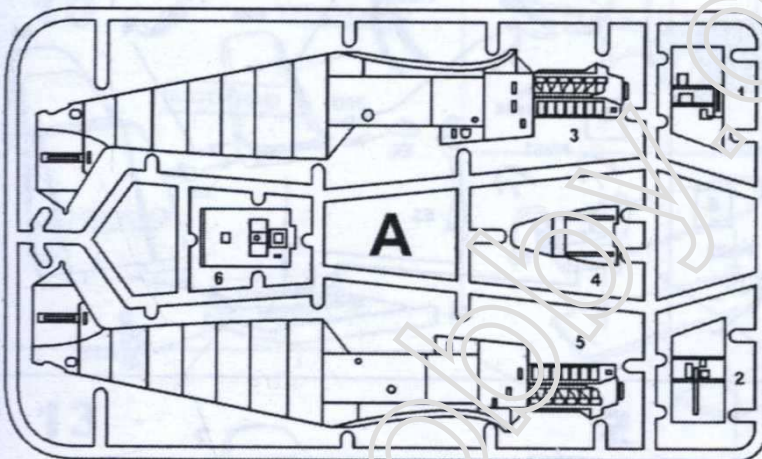
Production of the Bf 109C began in the spring of 1938.

The Bf 109C was originally meant to be the last major model of the Bf 109 to use the Jumo 210. It was intended that it would be quickly replaced by the Bf 109D, using a DB 600 engine. However, that engine was not available in suitable numbers, and so the 109D series entered production with a Jumo 210 engine.

The "C" series was produced in relatively small numbers. A total of 58 Bf-109C were built.

## References:

- Messerschmitt Bf 109 A-D models, KAGERO, M.Lukasik
- Messerschmitt Bf 109, WARPAINT Special N 2 ,
- Bf 109 part 1, SAM Datafile N 09,
- Me 109 A bis Me 109 E, Aviatic Verlag, 1997,
- Messerschmitt Me-109, W.Ridinger & W Schick,
- Cockpits DSeutscher Flugzeuge 1911-70, P.W. Cohauz,
- Luftwaffe Camouflage and Markings 1933-1945 vol.1, K.A. Merrick,
- Luftwaffe Colours 1935-1945, Nikuku Publ., M.Ullmann,
- Luftwaffe Colours vol.1, sec.1 JAG LUWAFFE, E.Mombeck,
- Flugzeug Classic Extra MESSEFSCHMITT Bf 109 teil 1 ,
- Flugzeug Classic 1/20076
- Aero Journal N 16



THE CONDITIONAL DENOTATION

УСЛОВНЫЕ ОБОЗНАЧЕНИЯ


**BE CAREFUL**  
 ОСТОРОЖНО

**DON'T CEMENT**  
 НЕ КЛЕЙТЕ

**REMOVE**  
 ПОДАТЬ

**SYMMETRICAL**  
 СИММЕТРИЧНО

**MAKE TWO**  
 КУБИРАТЬ

**OPTIONAL**  
 НЕ ОБЯЗАТЕЛЬНО

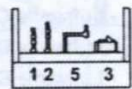
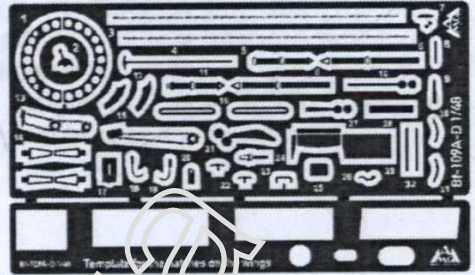
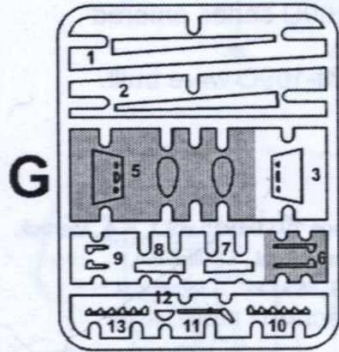
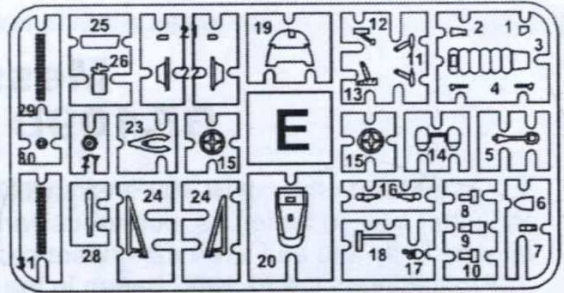
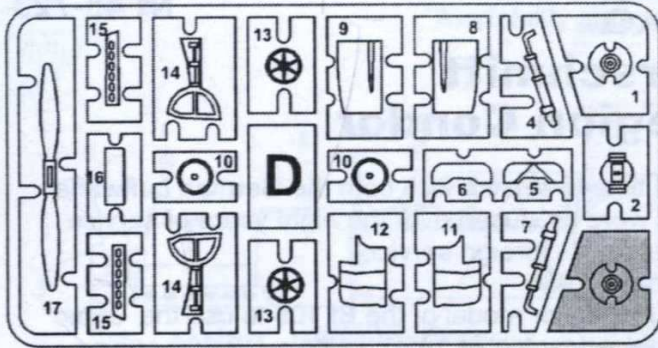
**BEND**  
 ПОГИБИТЬ

**OPEN WHOLE**  
 ПЕРФОРИРОВАТЬ

**CEMENT**  
 КЛЕЙТЕ

**VARIANTS**  
 ВАРИАНТЫ

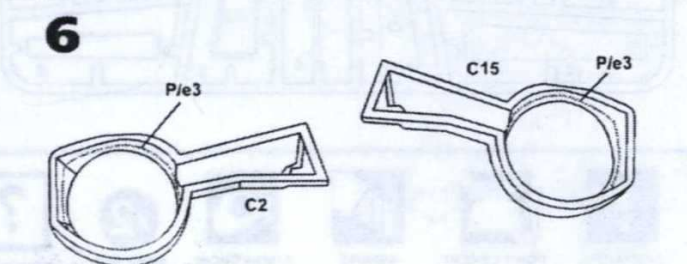
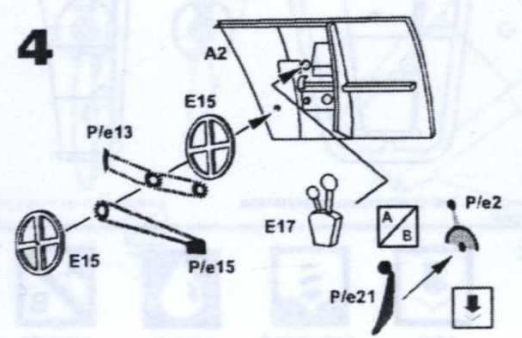
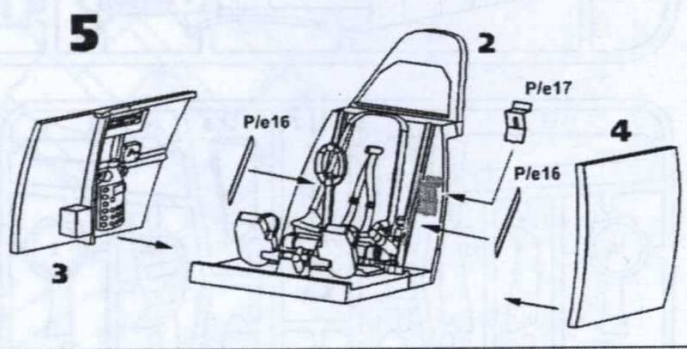
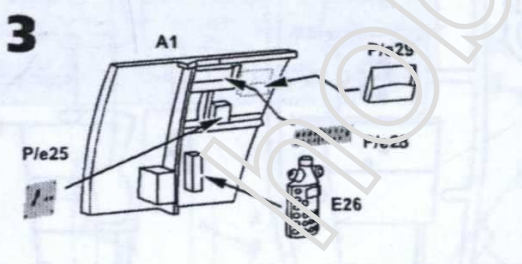
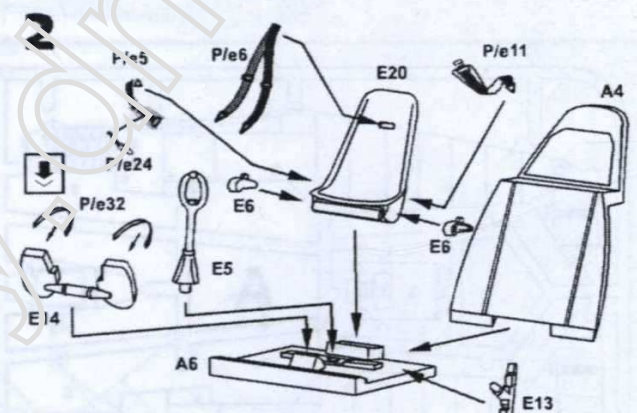
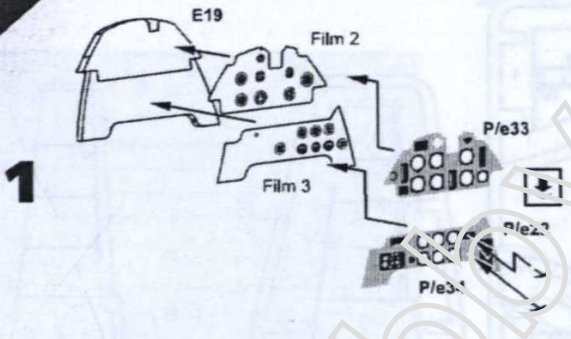




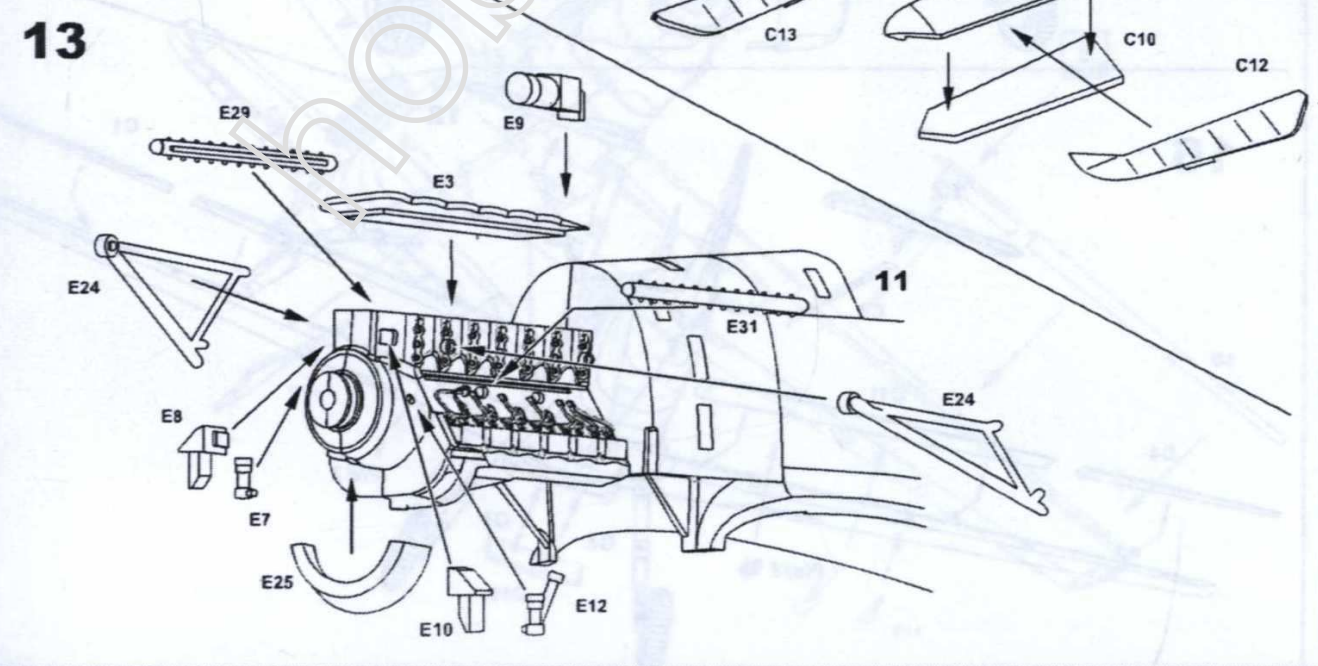
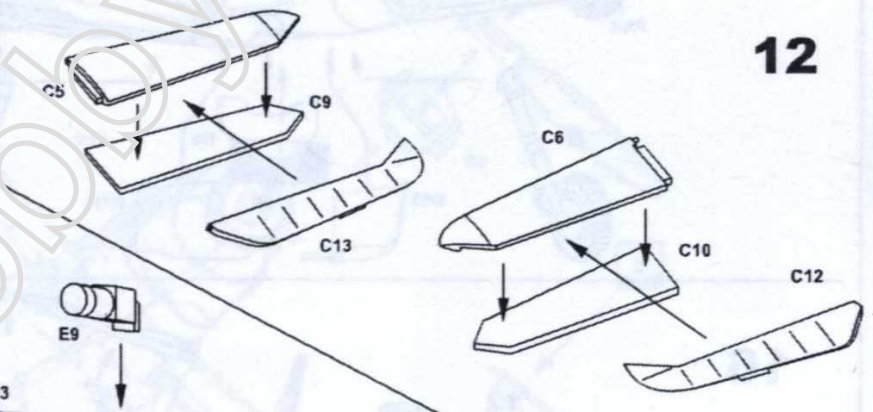
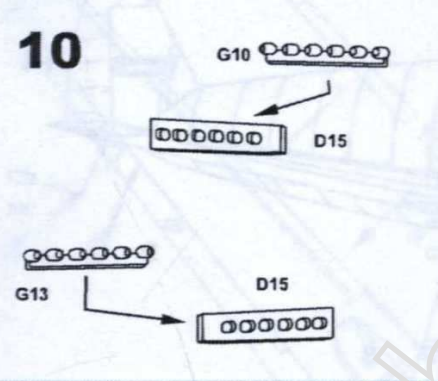
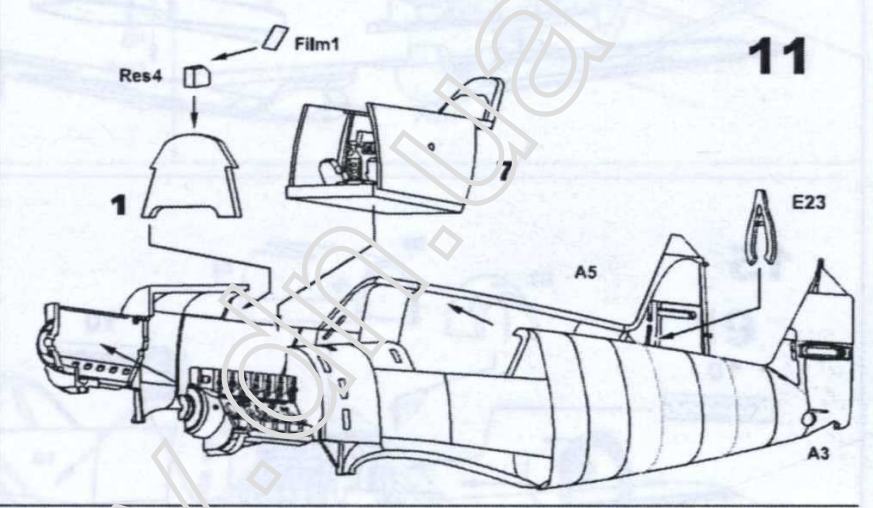
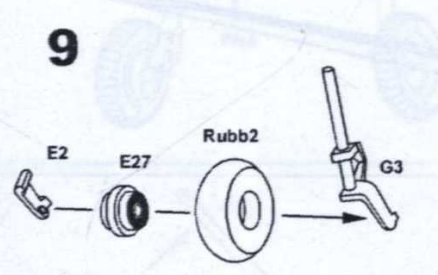
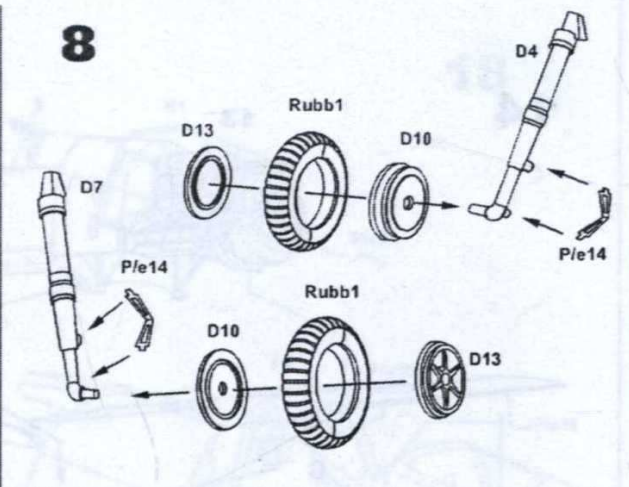
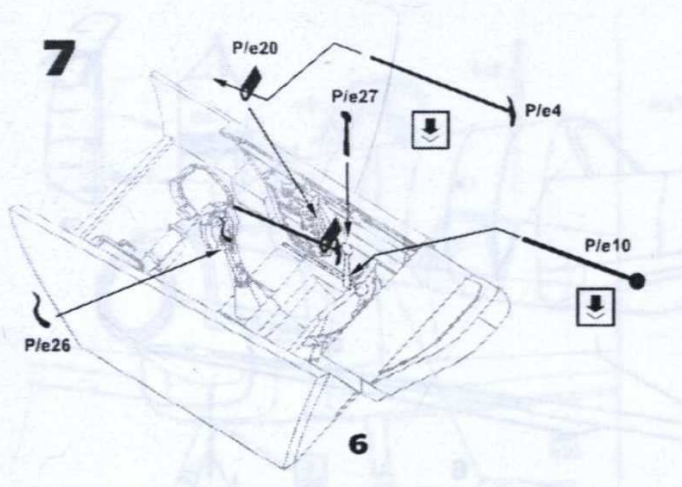
Rubber

Resin

ASSEMBLY MANUAL

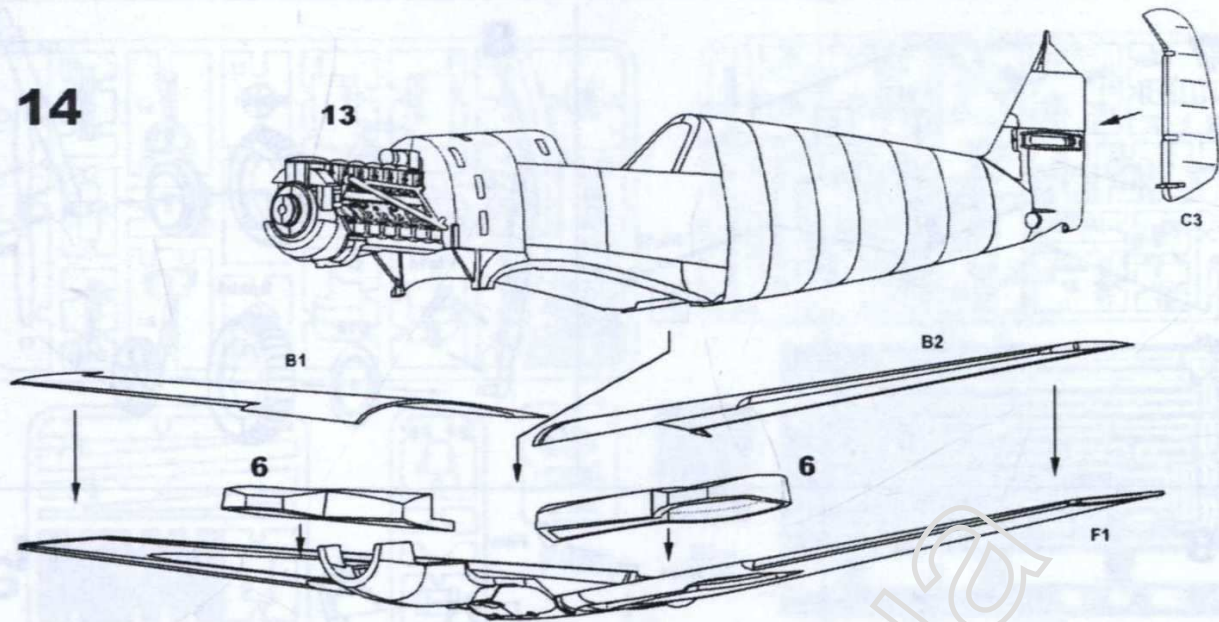




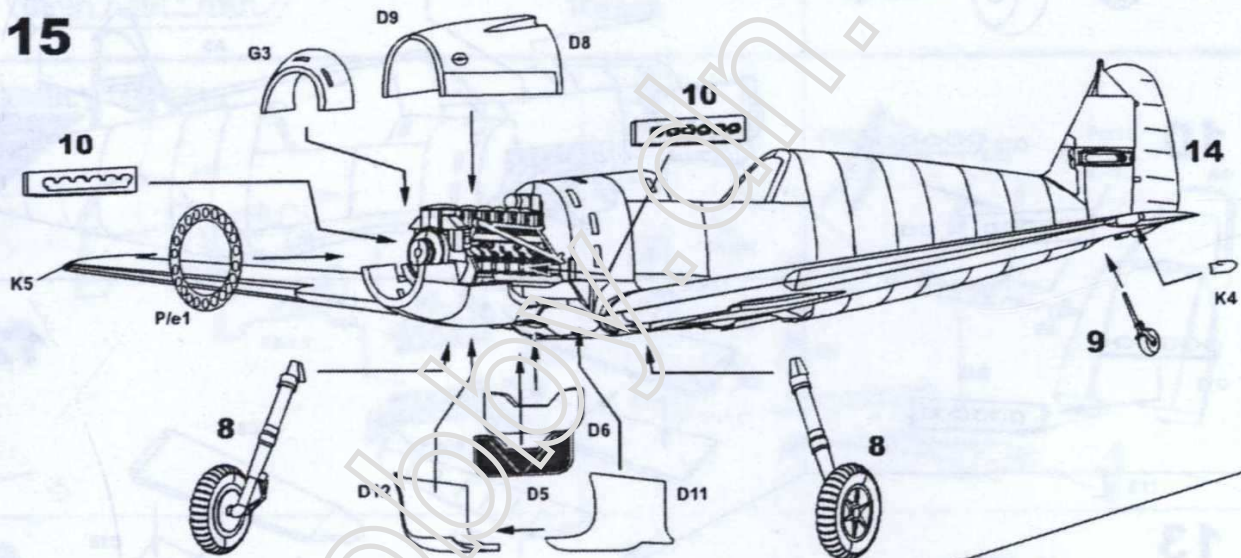




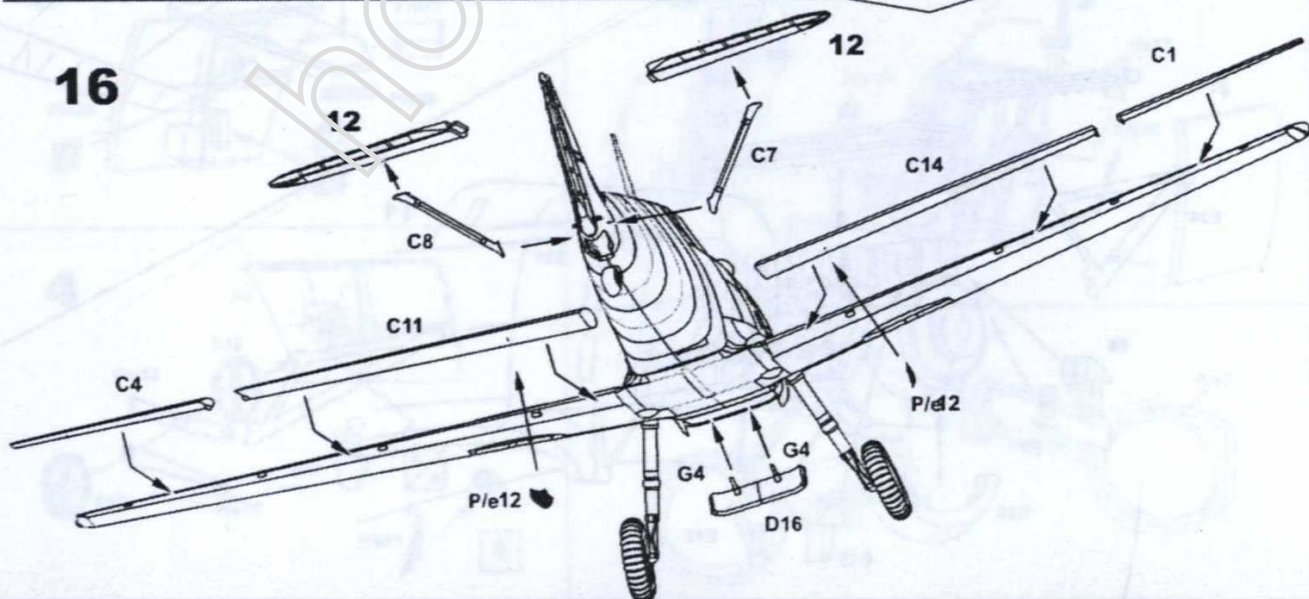
14



15

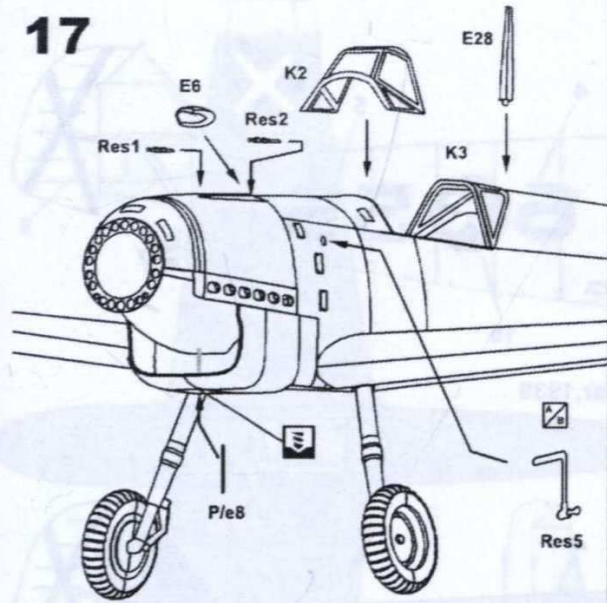


16

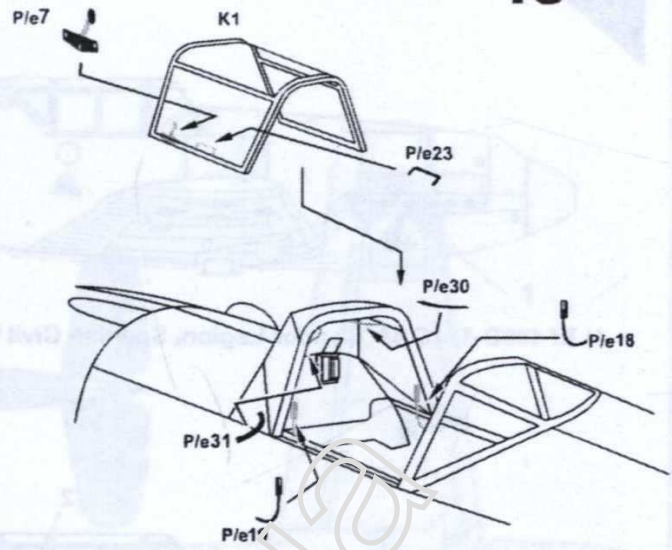




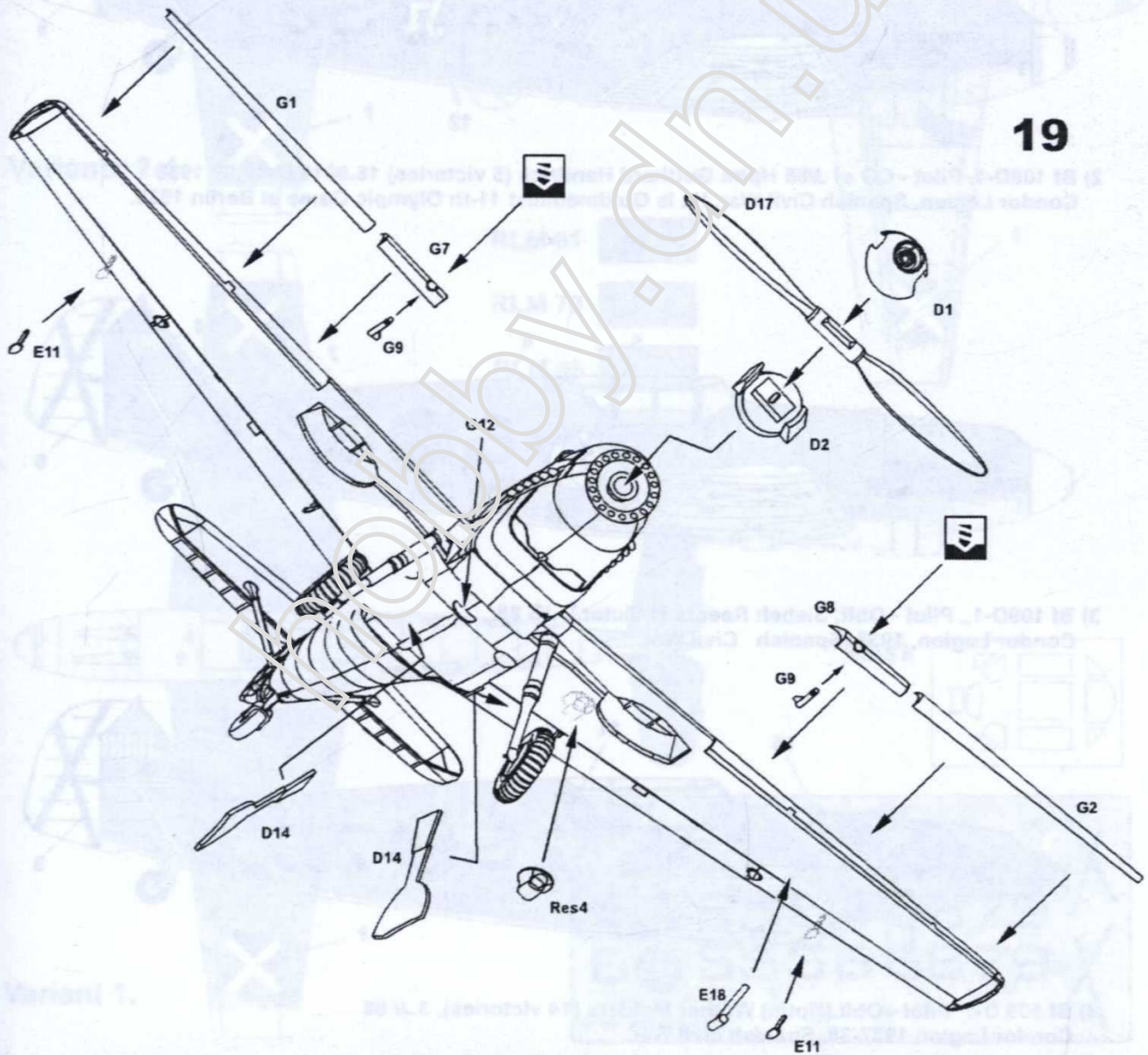
17



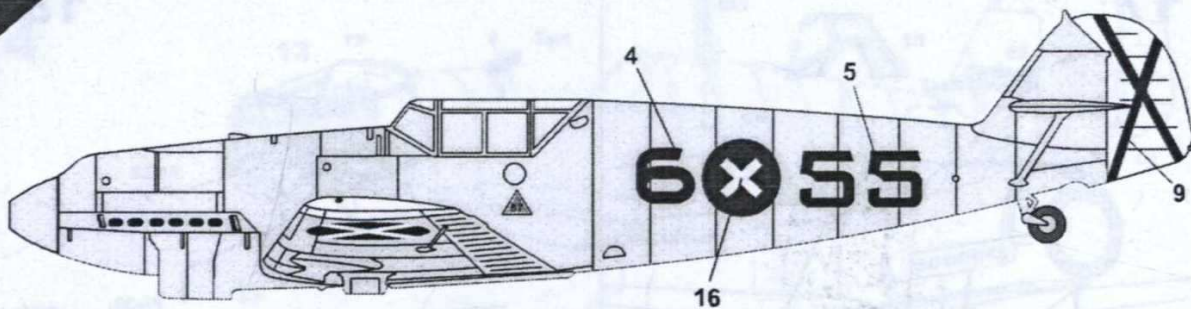
18



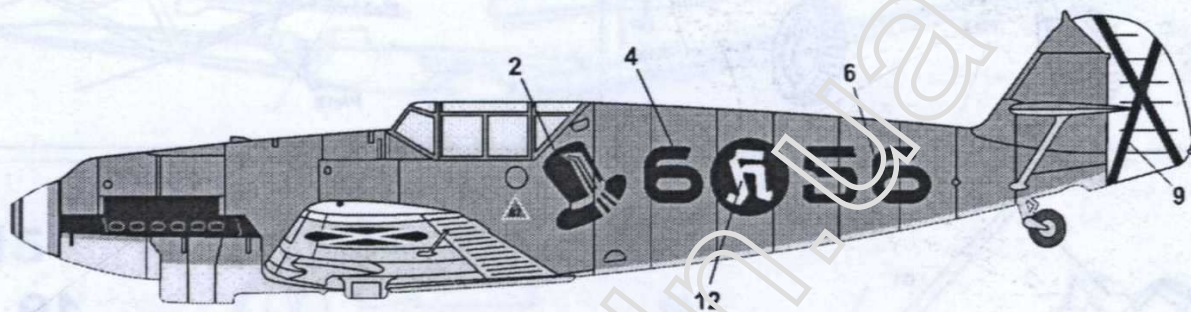
19







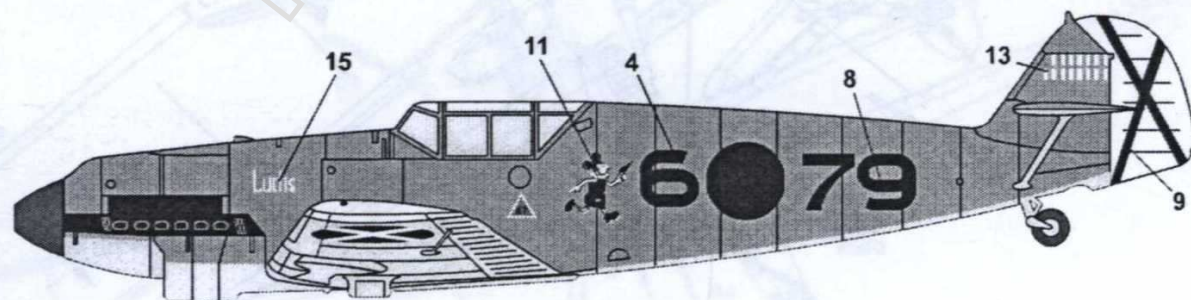
1) Bf 109D-1, JG 88/ Condor Legion, Spanish Civil War, 1938



2) Bf 109D-1, Pilot - CO of J/88 Hptm Gotthard Handrick (5 victories) 18.06.1937-10.09.1938  
Condor Legion, Spanish Civil War. He is Goldmedalist 11th Olympic Game at Berlin 1936.



3) Bf 109D-1, Pilot - Obfr Sieber Reents (1 victor.), JG 88,  
Condor Legion, 1938, Spanish Civil War.

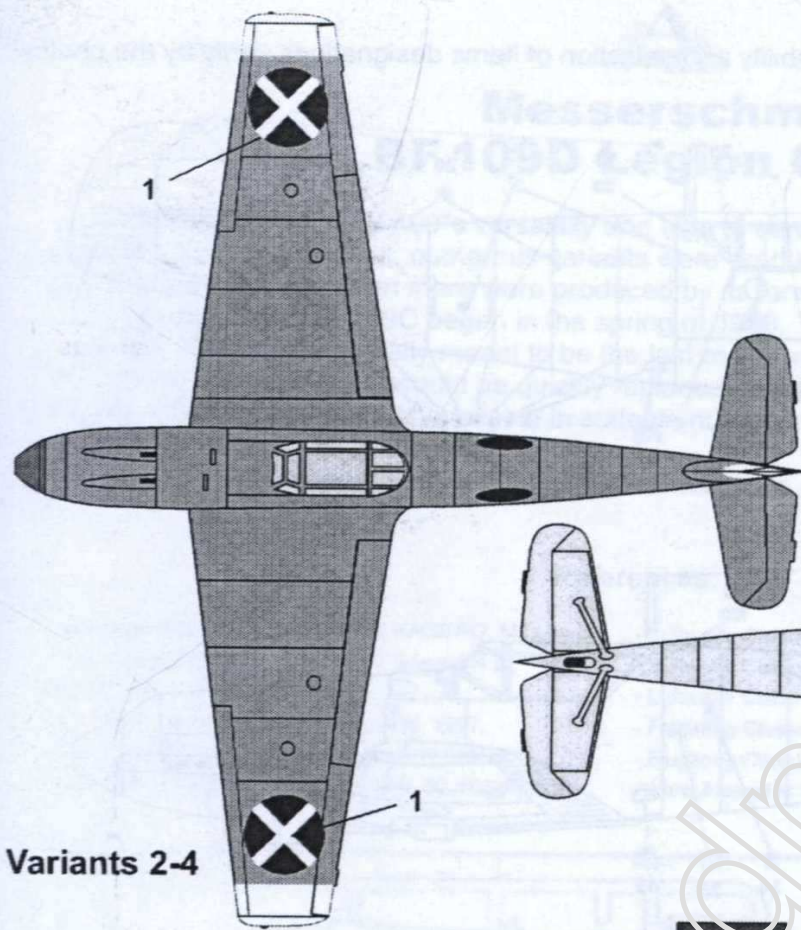


4) Bf 109 D-1 Pilot - Obfr.(Hptm) Werner Molders (14 victories), 3.J/ 88  
Condor Legion 1937-38. Spanish civil War.

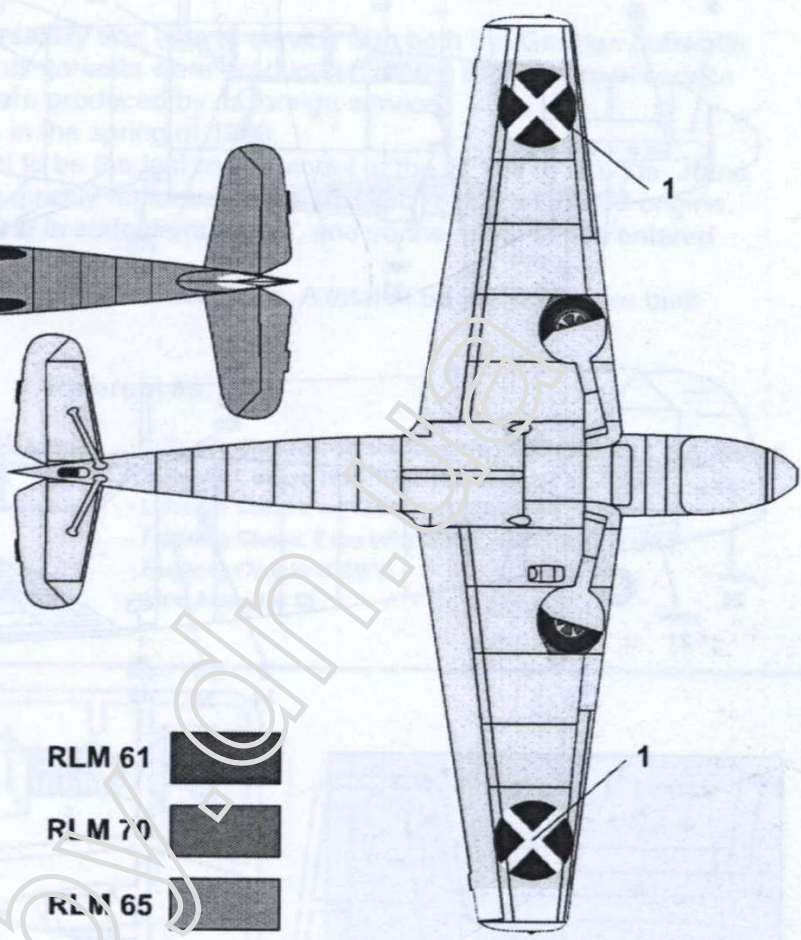






Messerschmitt  
Bf 109D & E (Bn, Gendler)

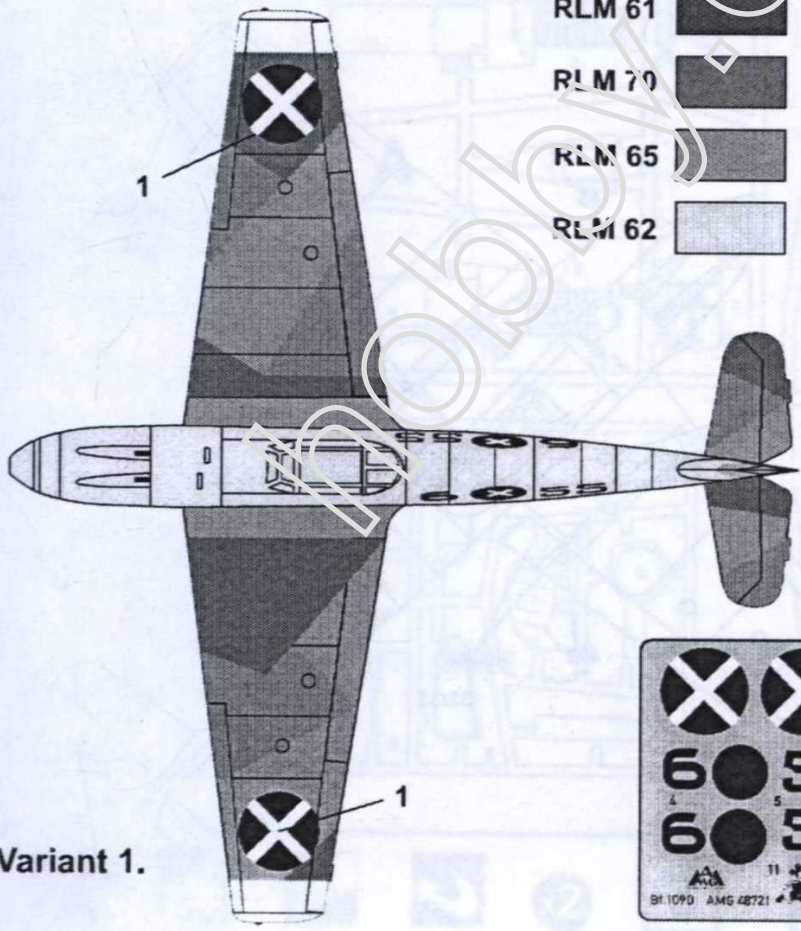
48-723



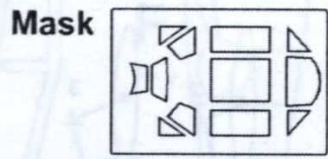
Variants 2-4



- RLM 61 
- RLM 70 
- RLM 65 
- RLM 62 



Variant 1.





Availability and selection of items designations verify by the photos!

