



Messerschmitt BF.109 B-1

The Messerschmitt Bf 109's versatility and time in service with both the German Luftwaffe and other foreign air forces, numerous variants were produced over the eight years of service with the Luftwaffe and even more were produced by its foreign service.

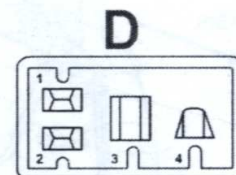
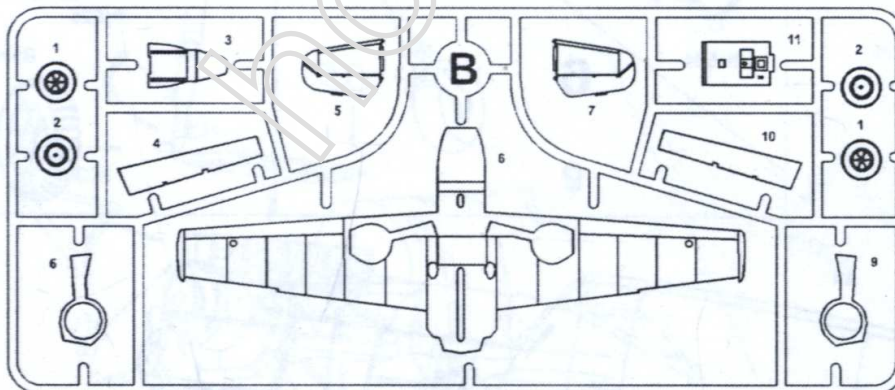
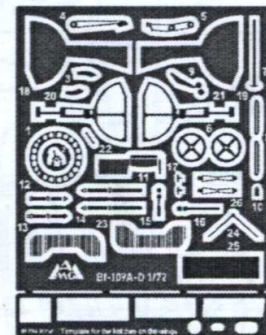
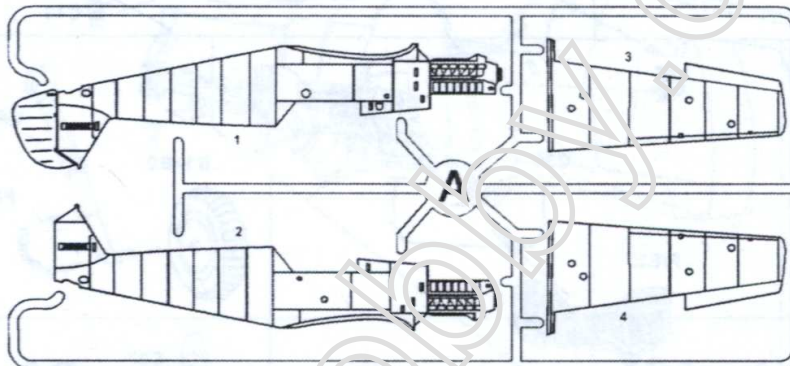
The Bf 109B entered production during the Autumn of 1936. By then? BFW had been reorganized into the Messerschmitt A.G., and the first operational variant entered service in April 1937. It was planned that the type should enter service with the 2/132 "RICHTHOFEN" in Germany.

Production model Bf 109B began to appear in Spain. The Bf 109B scored its first combat victory on 06.04.1937, when Oblt G.Lutzov shot down an I - 15.

The Bf 109B was the first version of this famous fighter to enter mass production.

References:

- Messerschmitt Bf 109 A-D models, KAGERO, M.Lukasik
- Messerschmitt Bf 109, WARPAIN Special N 2,
- Bf 109 part 1. SAM Datafile N 09,
- Me 109 A bis Me 109 E. Aviatic Verlag, 1997,
- Messerschmitt Me-109, W.Ridinger & W Schick,
- Cockpits DSeutscher Flugzeuge 1911-70, P.W. Cohauz,
- Luftwaffe Camouflage and Markings 1933-1945 vol.1, K.A. Merrick,
- Luftwaffe Colours 1935-1945, Hikoki Publ., M.Ullmann,
- Luftwaffe Colours vol.1, sec.1 JAGDWAFFE, E.Mombeck,
- Flugzeug Classic Extra MESSERSCHMITT Bf 109 teil 1,
- Flugzeug Classic 1/20076
- Aero Journal N 18



THE CONDITIONAL DENOTATION

УСЛОВНЫЕ ОБОЗНАЧЕНИЯ



BE CAREFUL
ОСТОРОЖНО



DON'T CEMENT
НЕ КЛЕИТЬ



REMOVE
РЕЗАТЬ



SYMMETRICAL
СИММЕТРИЧНО



MAKE TWO
УДОБИТЬ



OPTIONAL
НЕОБЯЗАТЕЛЬНО



BEND
СОГНУТЬ



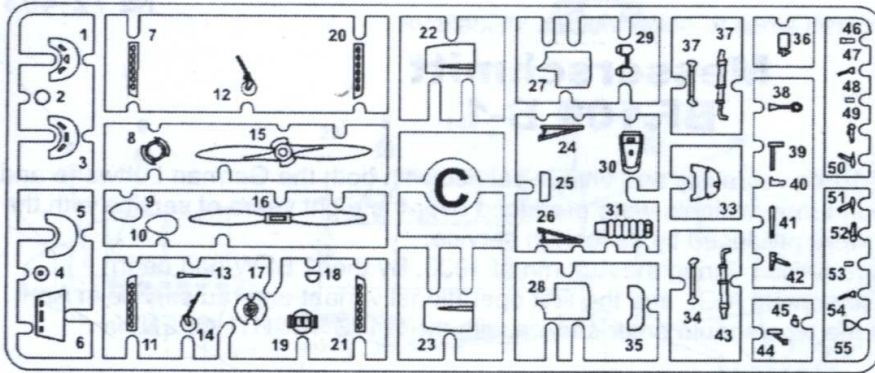
OPEN WHOLE
СВЕРЛИТЬ



CEMENT
КЛЕИТЬ



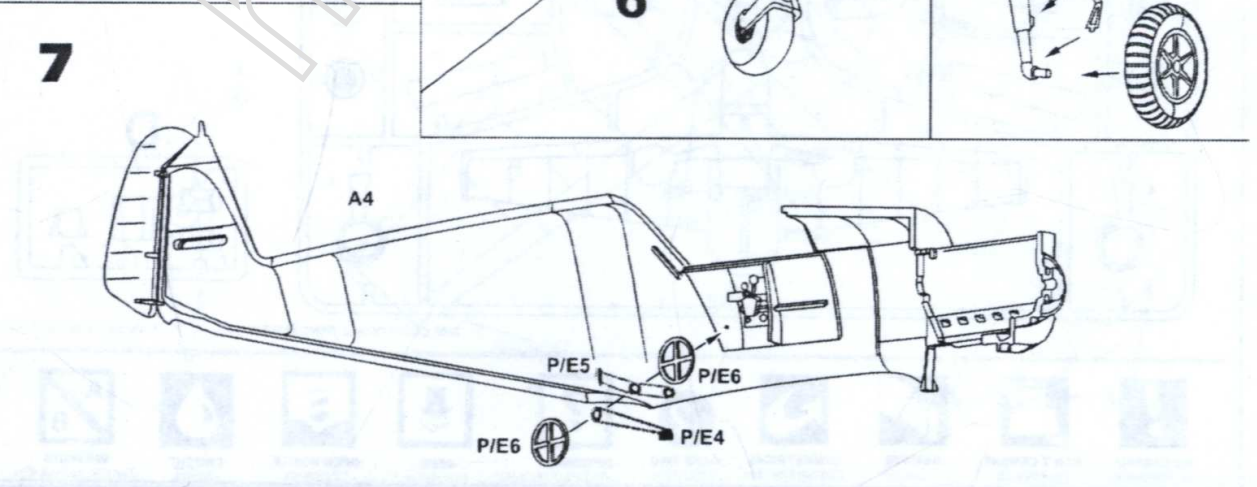
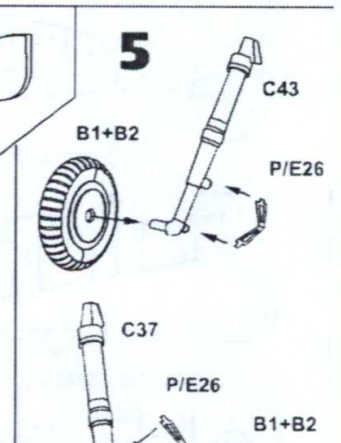
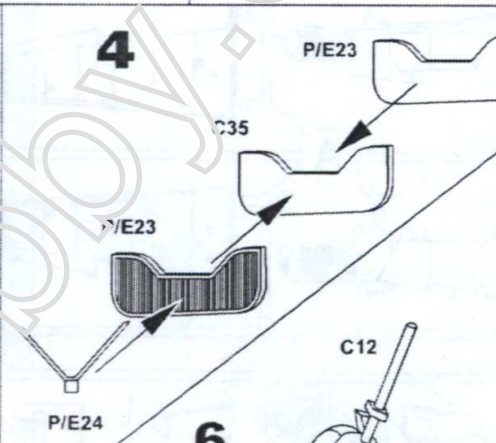
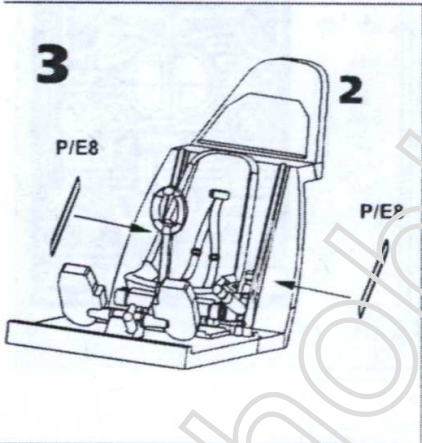
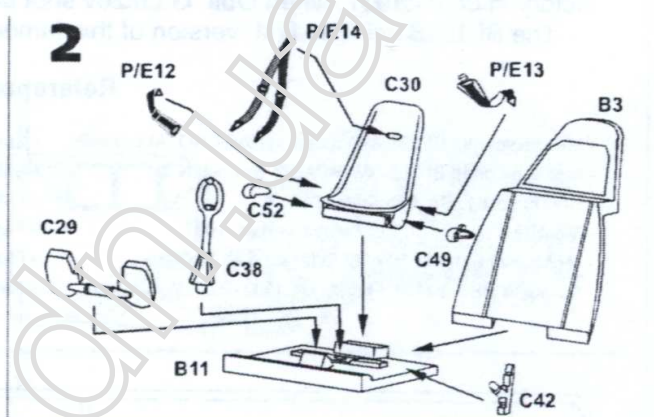
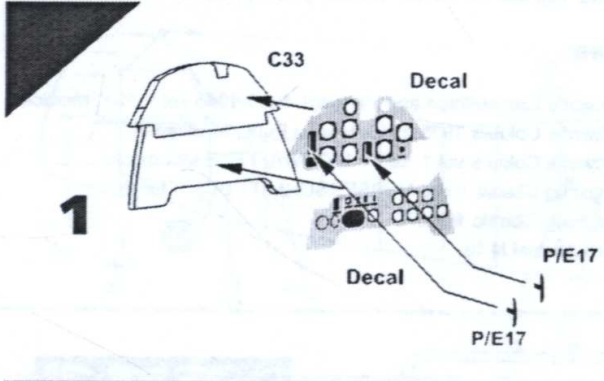
VARIANTS
ВЫБОР ВАРИАНТА



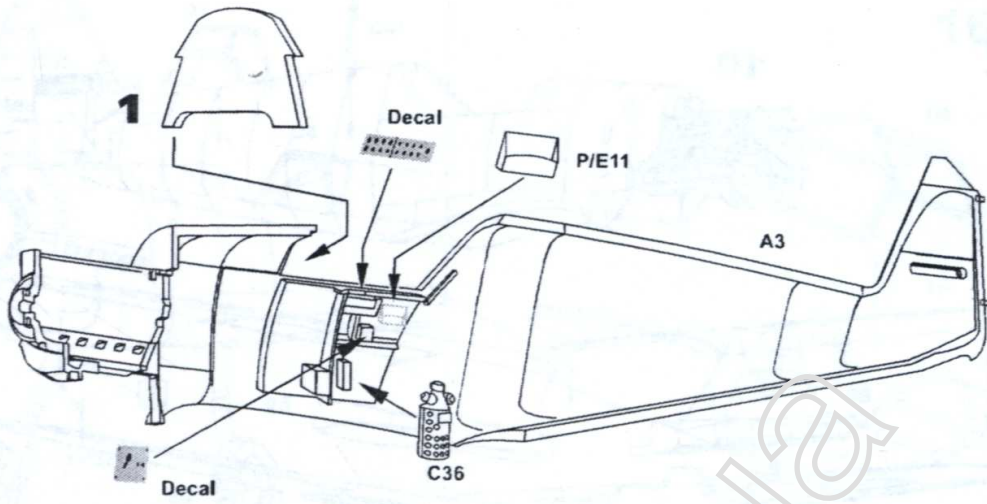
Resin



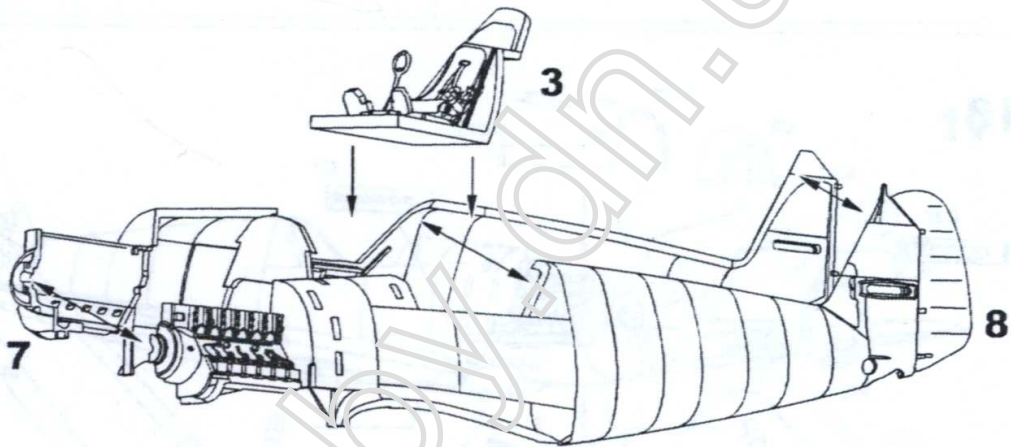
ASSEMBLY MANUAL



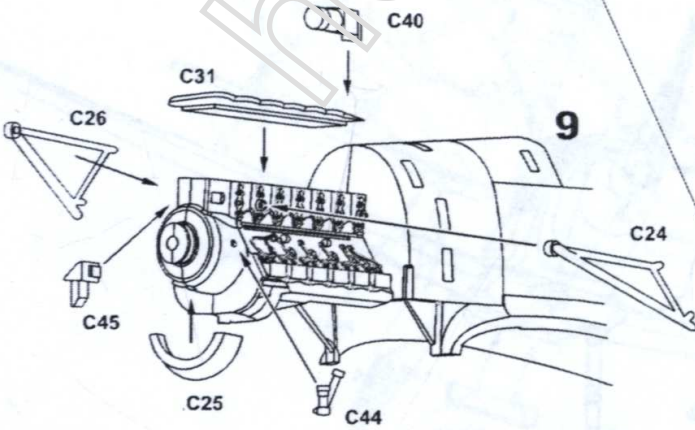
8



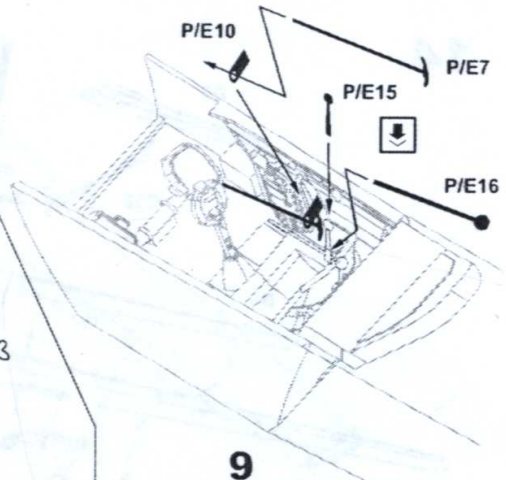
9



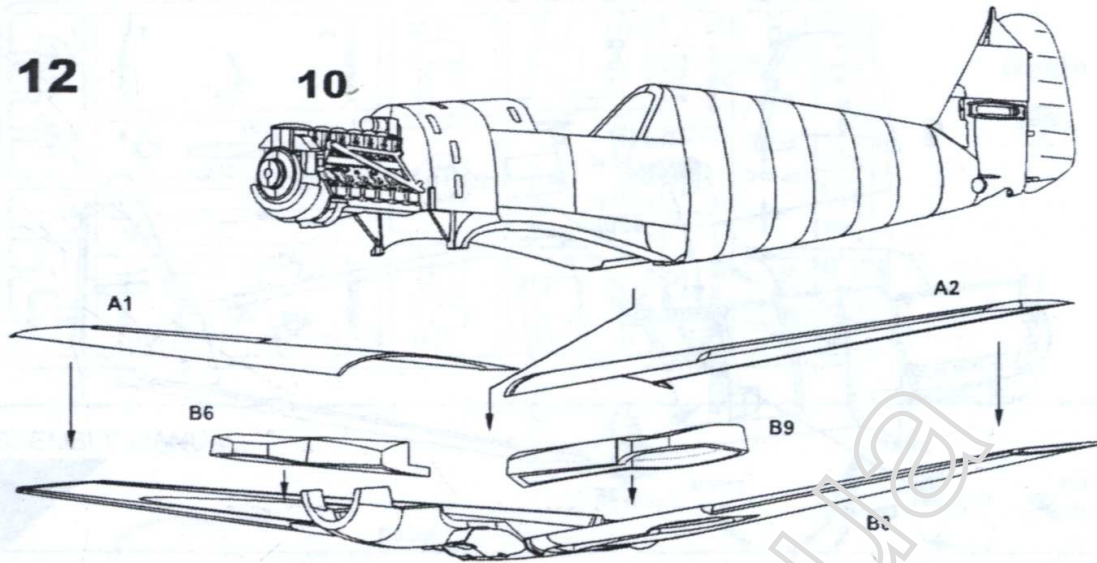
10



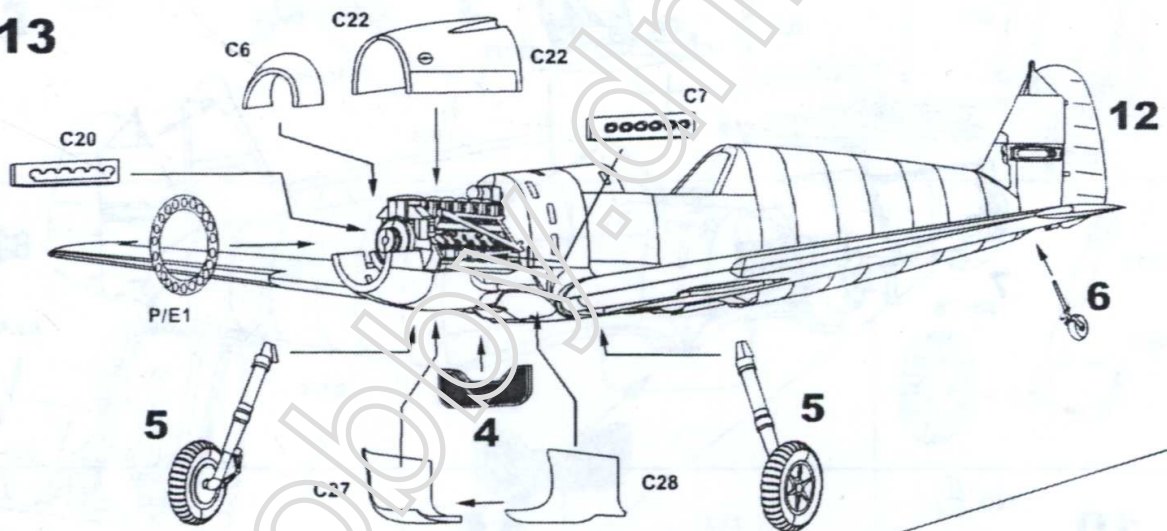
11



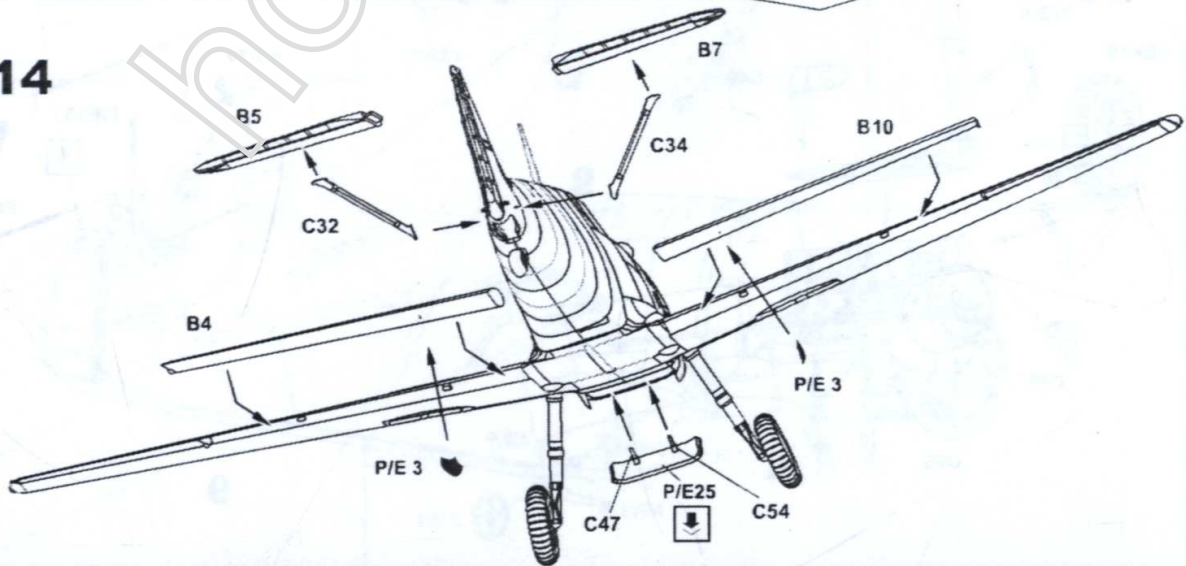
12



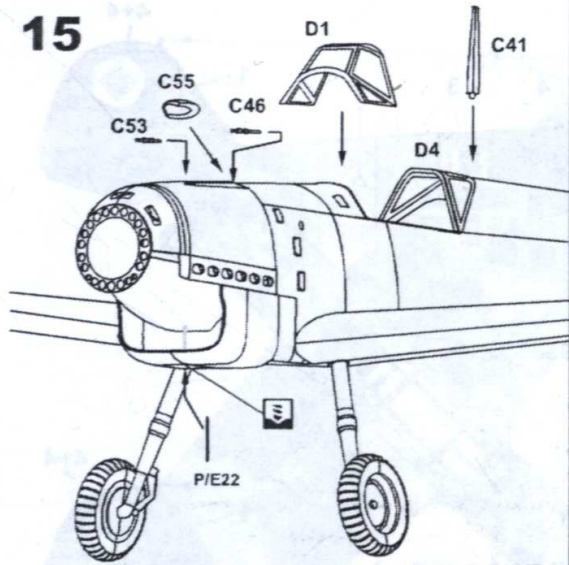
13



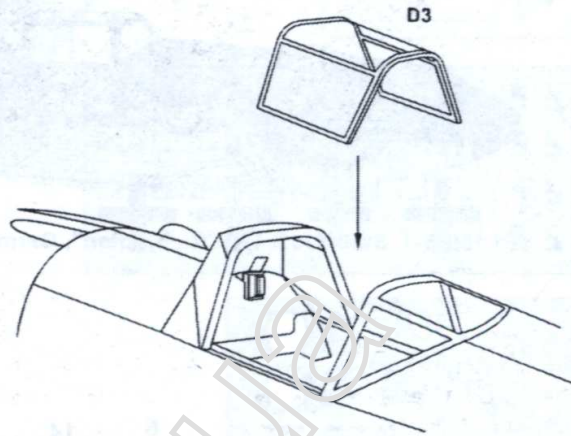
14



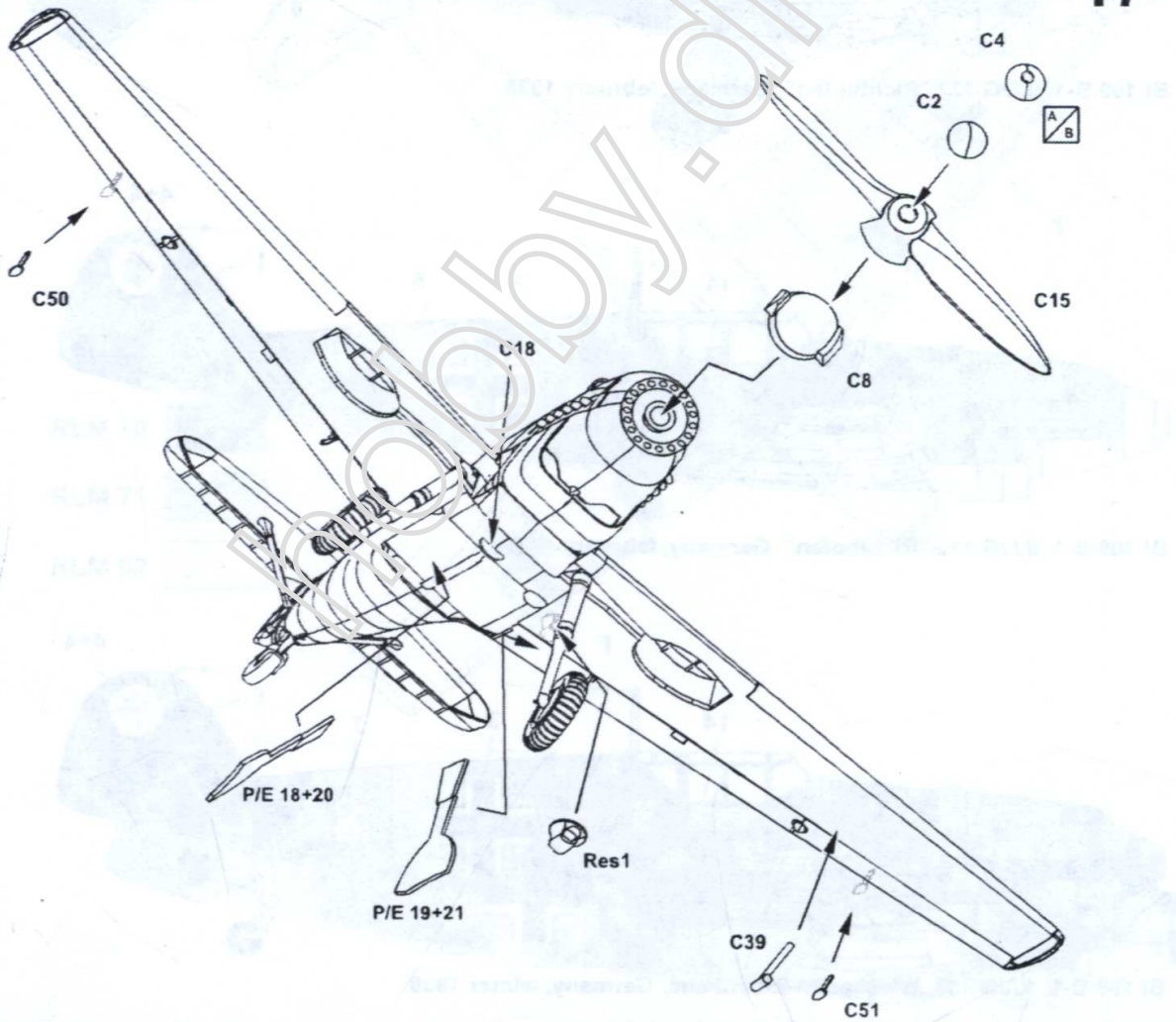
15



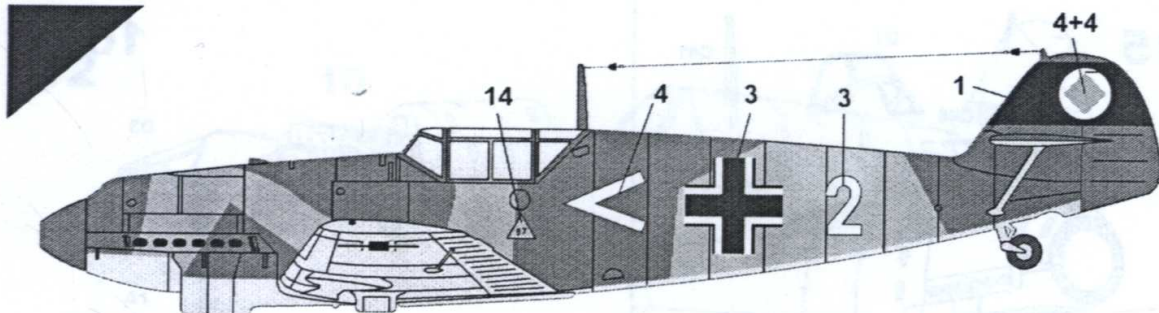
16



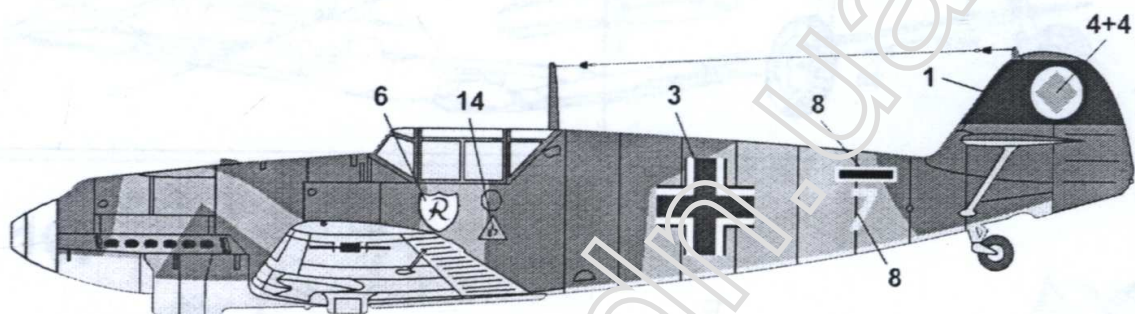
17



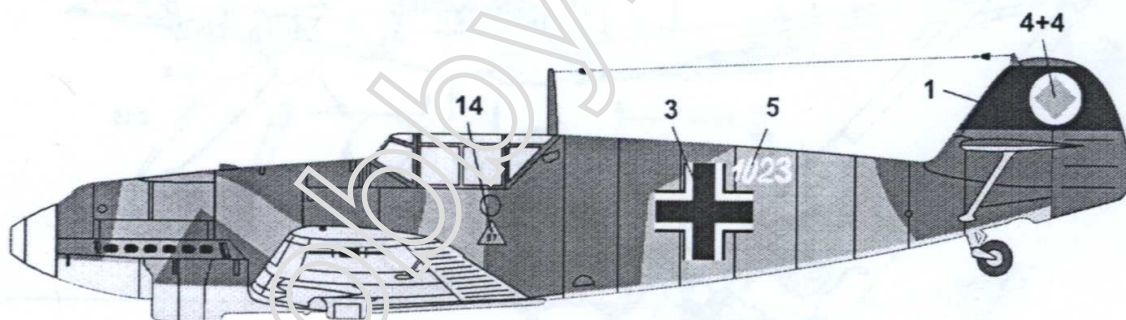
PAINT MANUAL



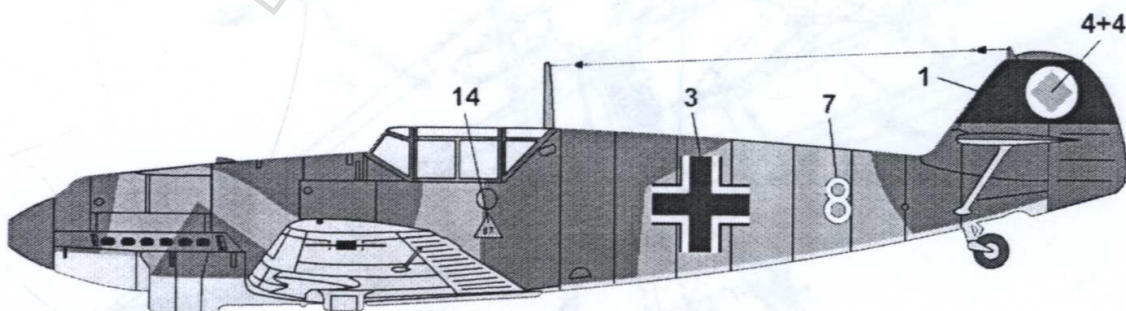
Bf 109 B-1 Stab II/JG 132 "Richthofen", Germany, 1938



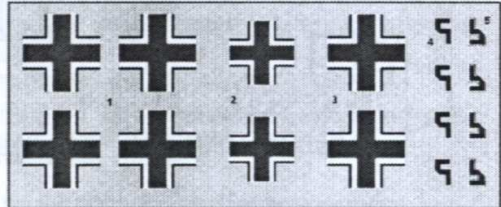
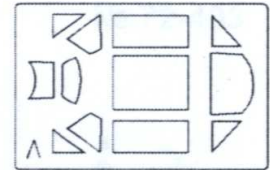
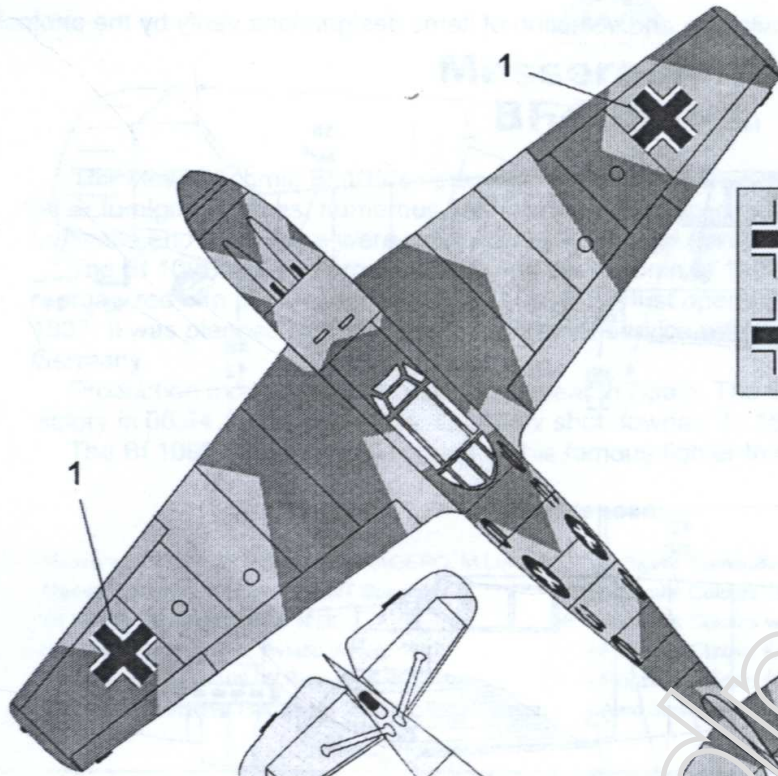
Bf 109 B-1 II/JG 132 "Richthofen", Germany, february 1938



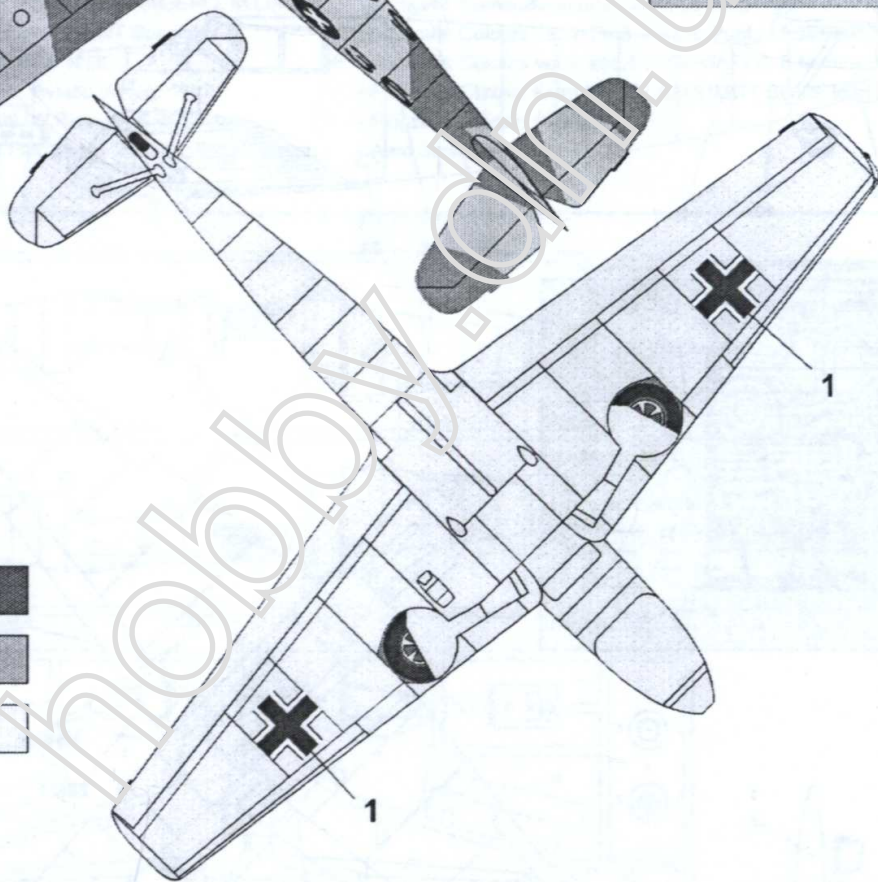
Bf 109 B-1 II/JG 132 "Richthofen", Germany, february 1937



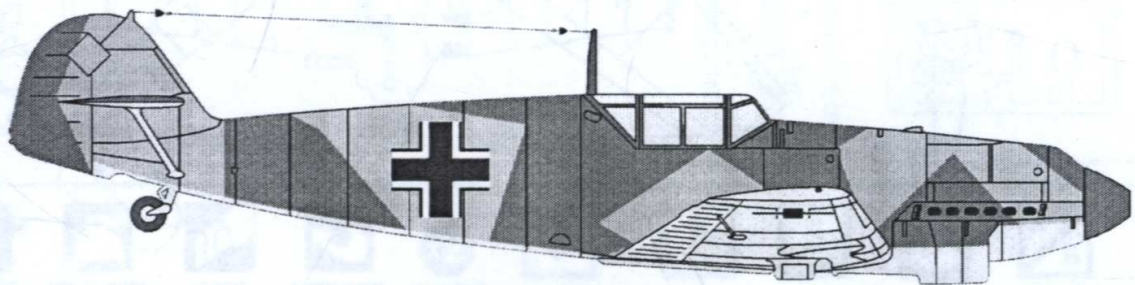
Bf 109 B-1 1./JG 133, Wiesbaden-Erbenheim, Germany, winter 1938



1



- RLM 70
- RLM 71
- RLM 62



Availability and selection of items designations verify by the photos!

