



Bell RP-63A-12 Operation Pinball

Although the P-63 never served with the USAF in any combat role, it was, however, to serve with the USAAF in an another completely different capacity. This was, in fact, one of the most strange and bizarre roles ever fulfilled by any military aircraft, namely that of manned flying target.

About 100 P-63As were converted to the RP-63 model, along with 200 P-63Cs. All guns, combat equipment and anything unnecessary for basic flight was removed. A total of 2,164 lbs of armor was applied all over the airframe, mostly aluminium but steel over the exhaust and airscoop.

Pinballs served as targets for the US Army's Flexible Gunnery School. This training was done at Buckingham Army Airfield, FI, and served to train the waist, chin, bell, and tail gunners of American bomber crews. After ground instruction, pupils advanced to air-to-air firing, first at towed target sleeves and finally at the Pinballs.

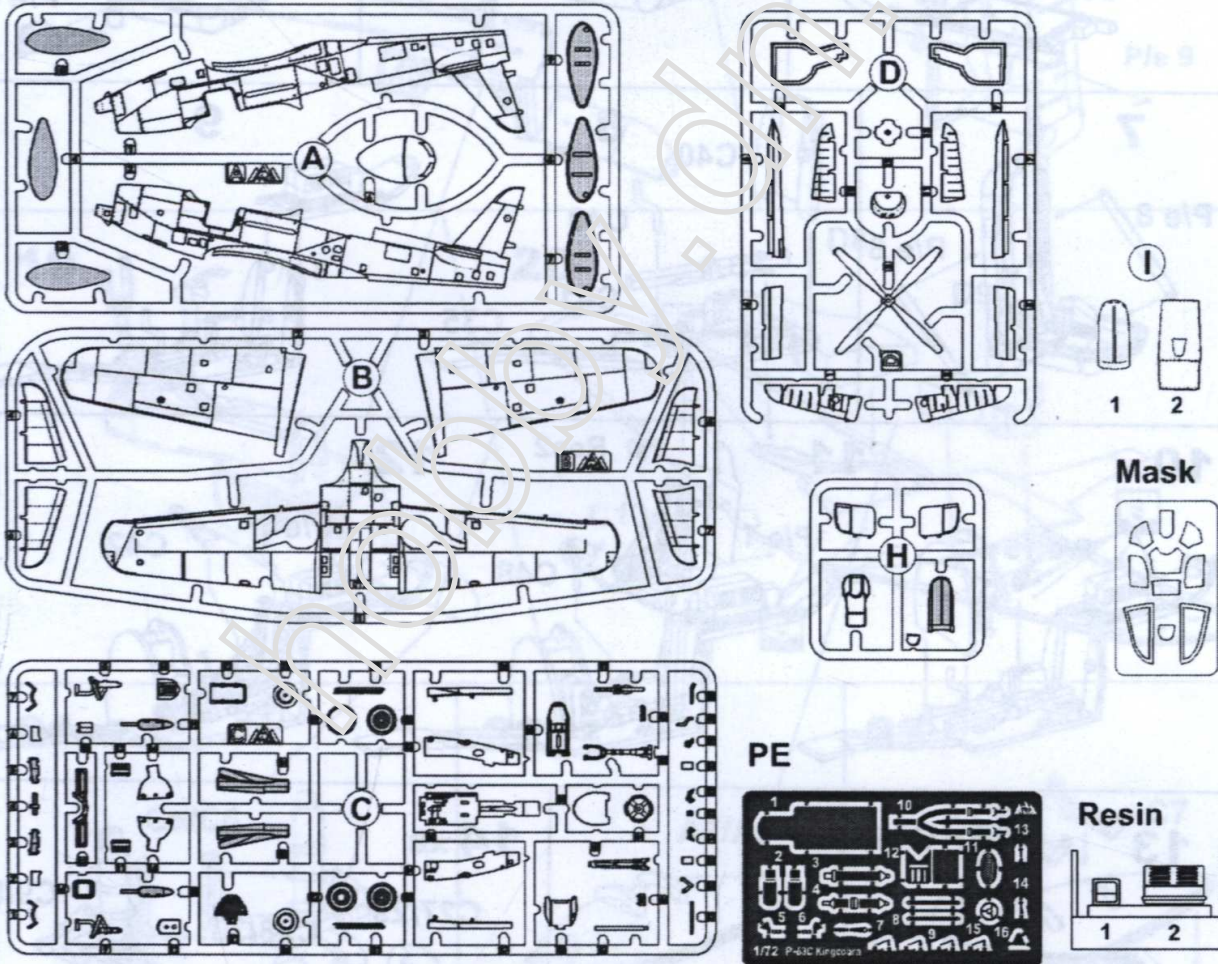
This was fitted with sensors that would detect hits, and these hits were signaled by illuminating a light in the propeller hub where the cannon would have been.

The aircraft earned the unofficial nickname PINBALL.

Special frangible rounds made of a lead/bakelite combination were developed that would disintegrate upon impact.

The 95 production versions of the "Pinball" were produced under the designation RP-63A-12

In 1948, surviving RP-63A aircraft were redesignated QF-63A.



BE CAREFUL
ОСТОРОЖНО



DON'T CEMENT
НЕ КЛЕИТЬ



REMOVE
СНЯТЬ



SYMMETRICAL
СИММЕТРИЧНО



MAKE TWO
УДВОИТЬ



OPTIONAL
НЕОБЯЗАТЕЛЬНО



BEND
СОГНУТЬ



OPEN WHOLE
СРЕЗНИТЬ



CEMENT
КЛЕИТЬ



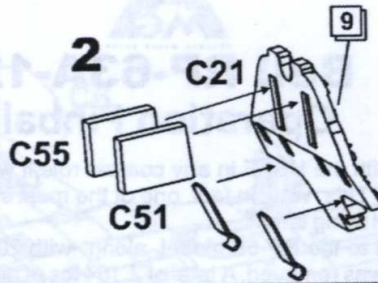
VARIANTS
ВЫБОР ВАРИАНТА

ASSEMBLY MANUAL

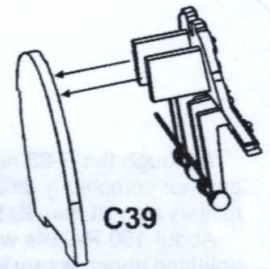
1 x2



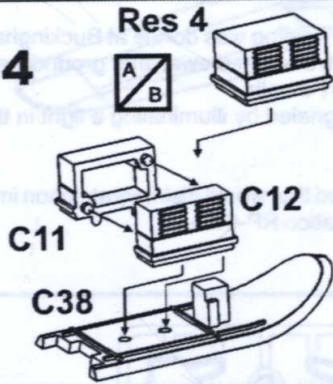
2



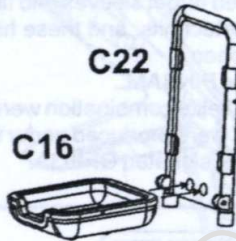
3



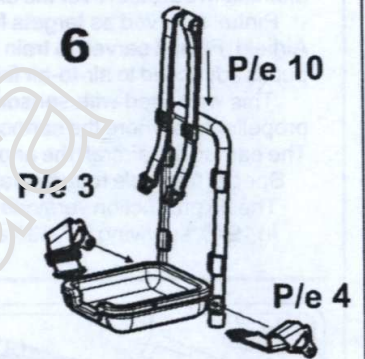
4



5



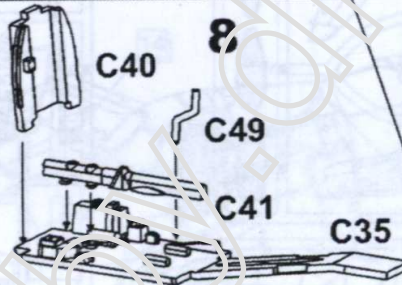
6



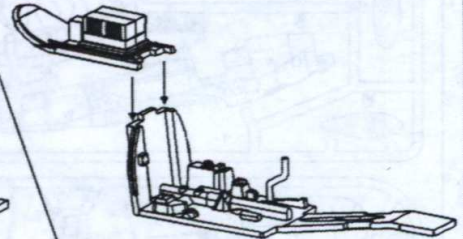
7



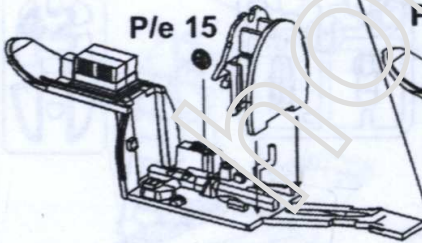
8



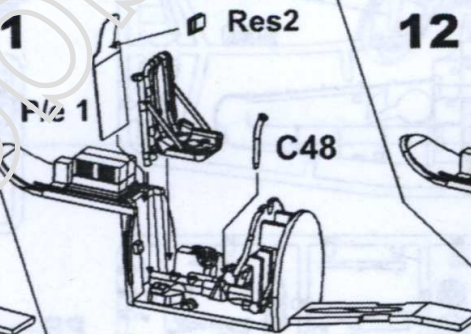
9



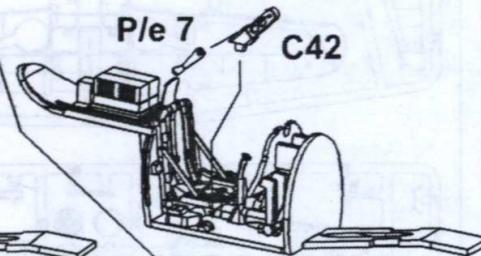
10



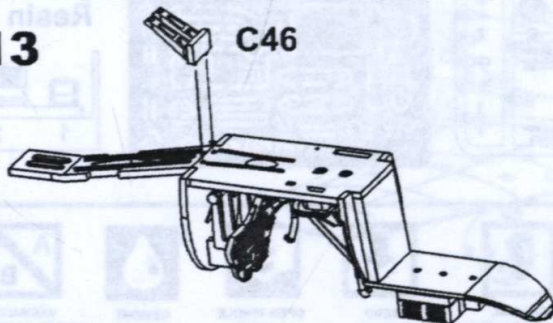
11



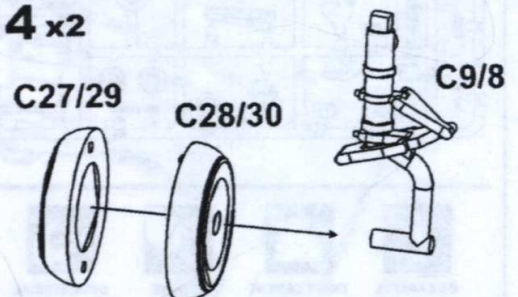
12



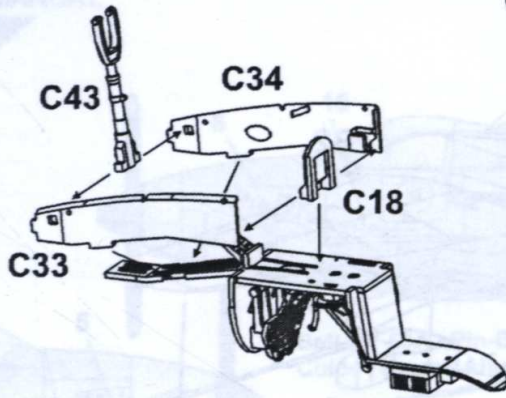
13



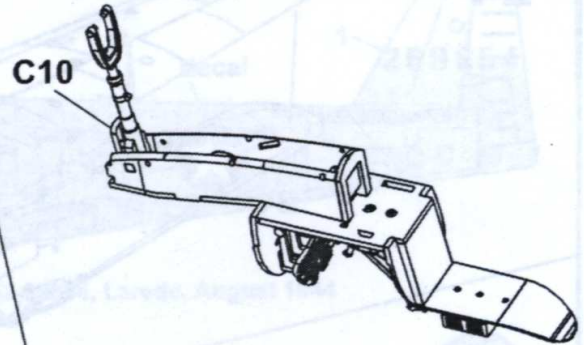
14 x2



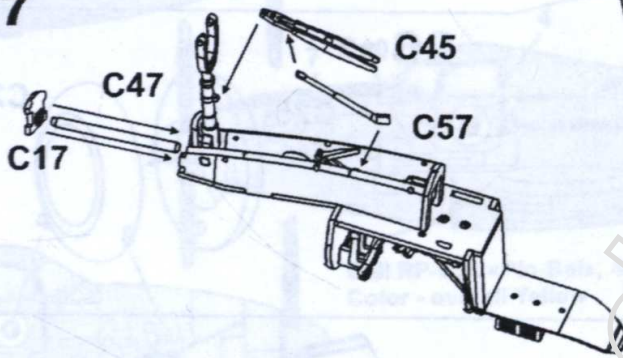
15



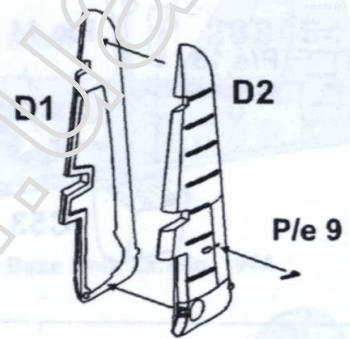
16



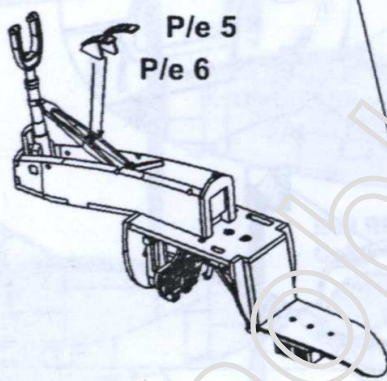
17



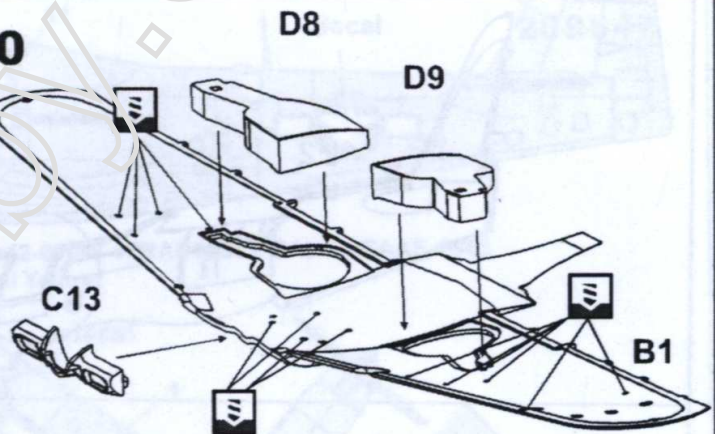
18



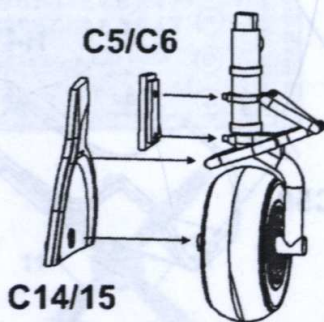
19



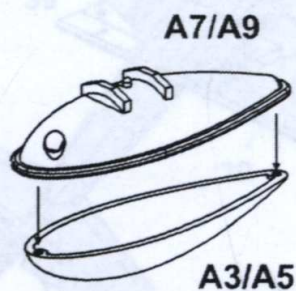
20



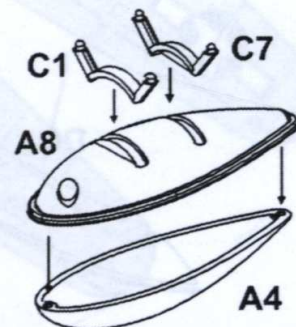
21 x2



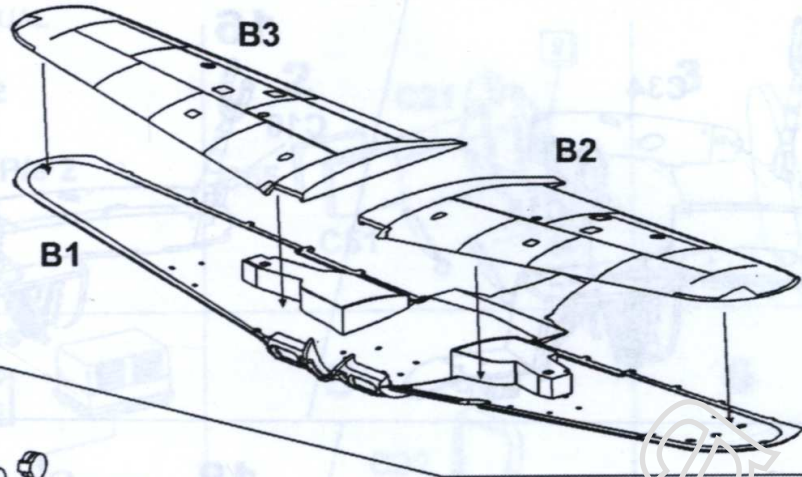
22 x2



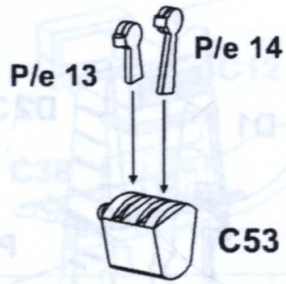
23



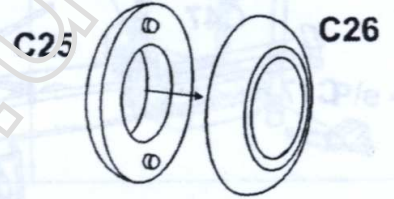
24



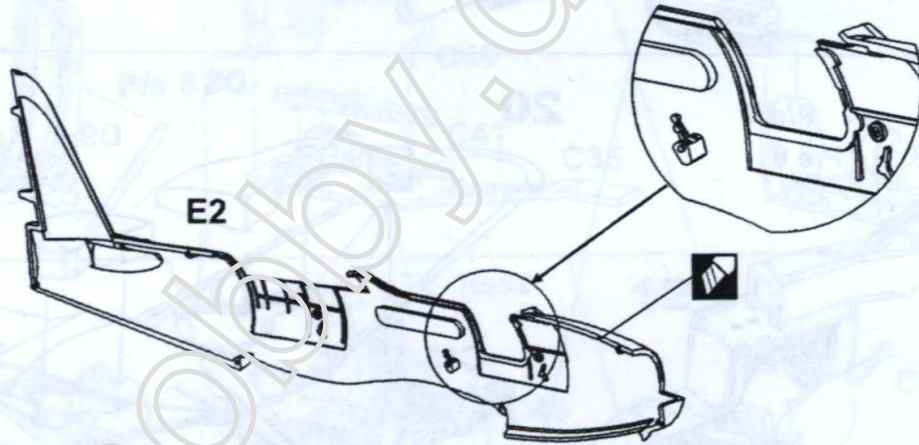
25 x2



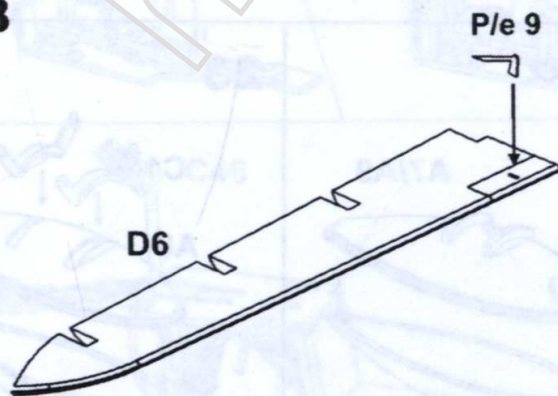
26 x2



27



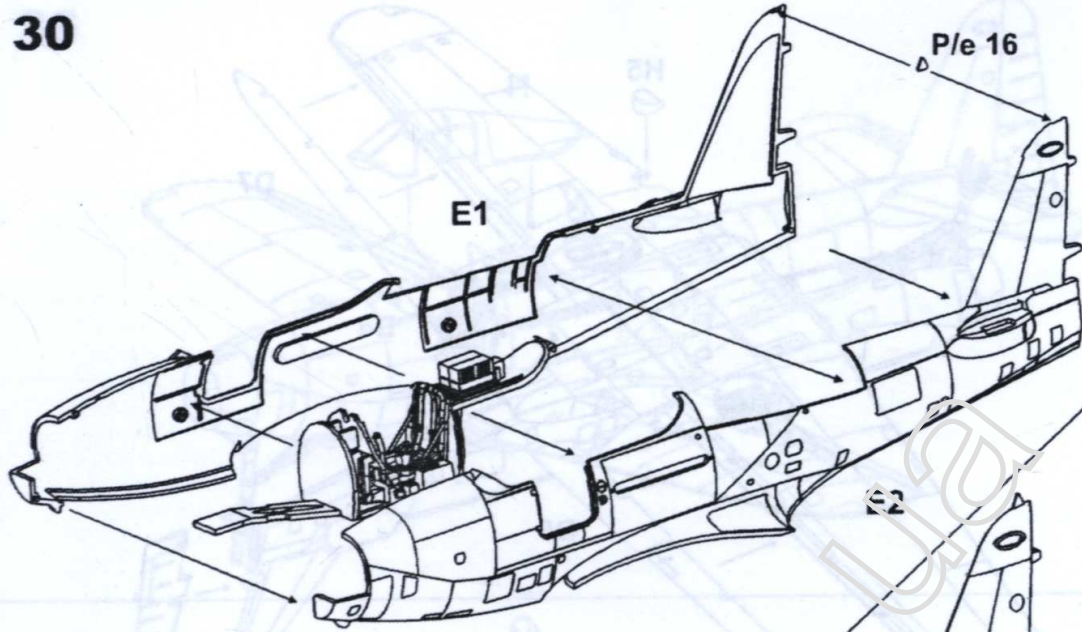
28



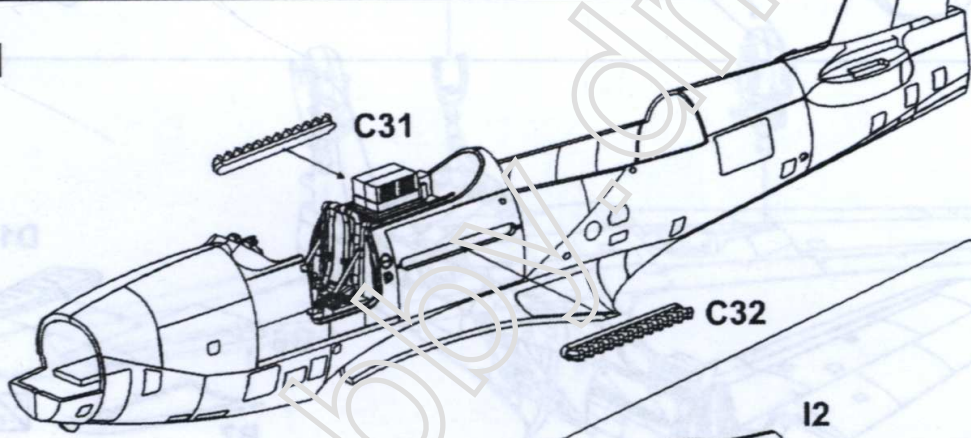
29



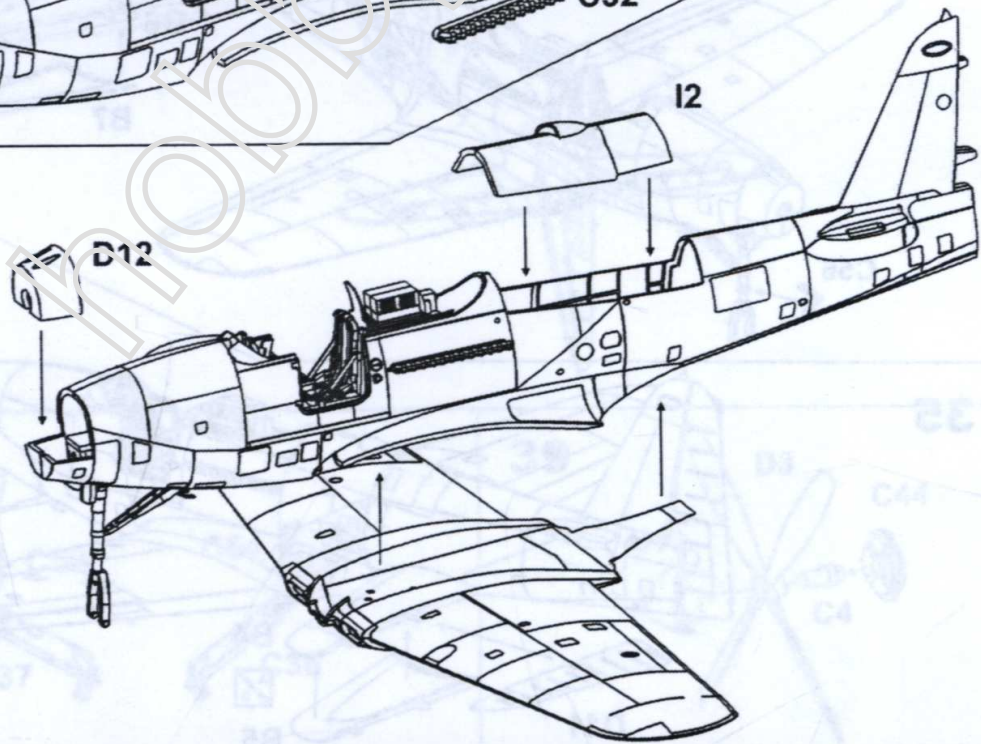
30



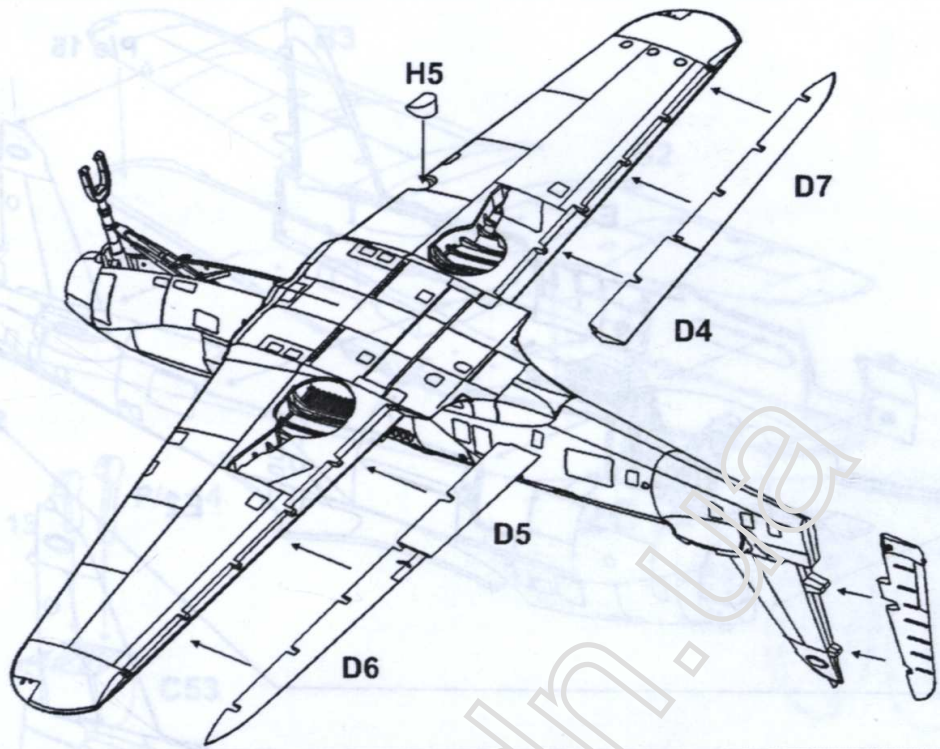
31



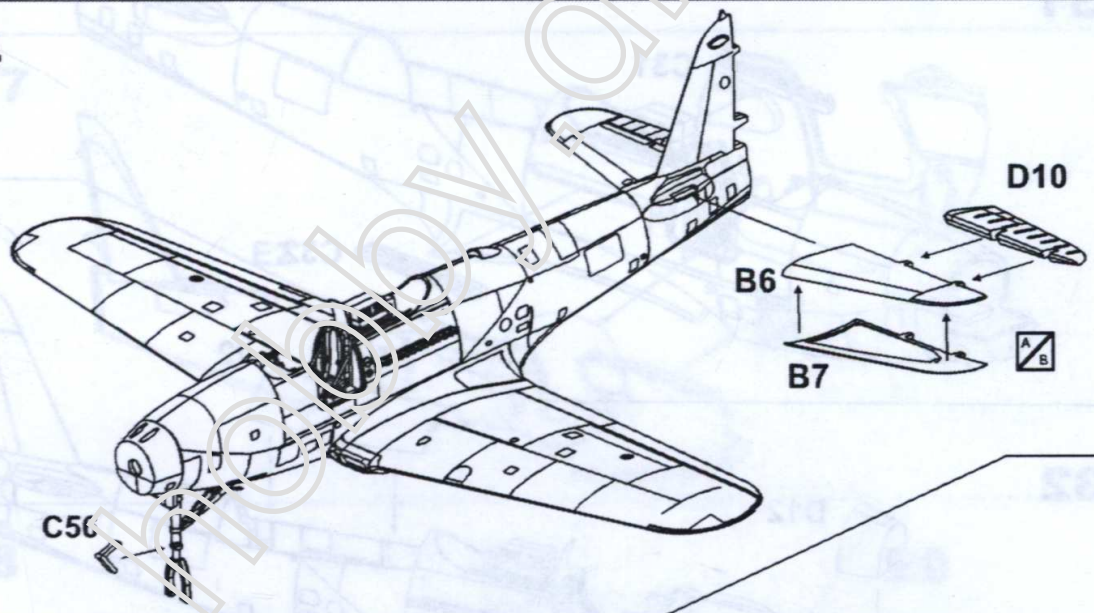
32



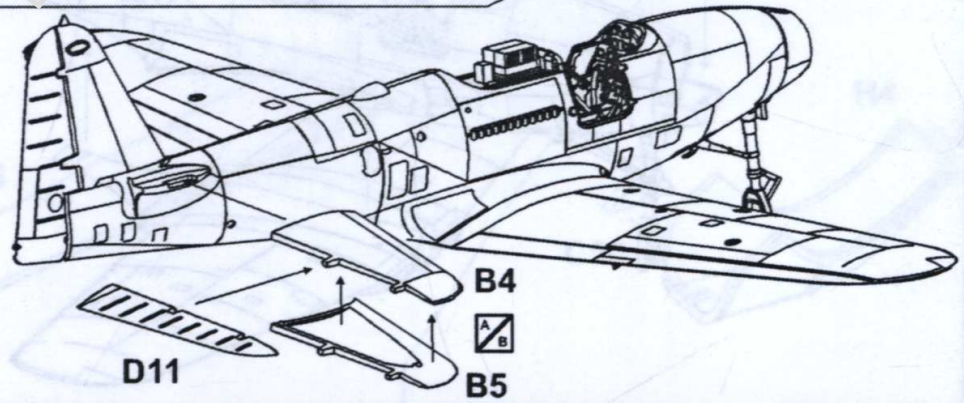
33



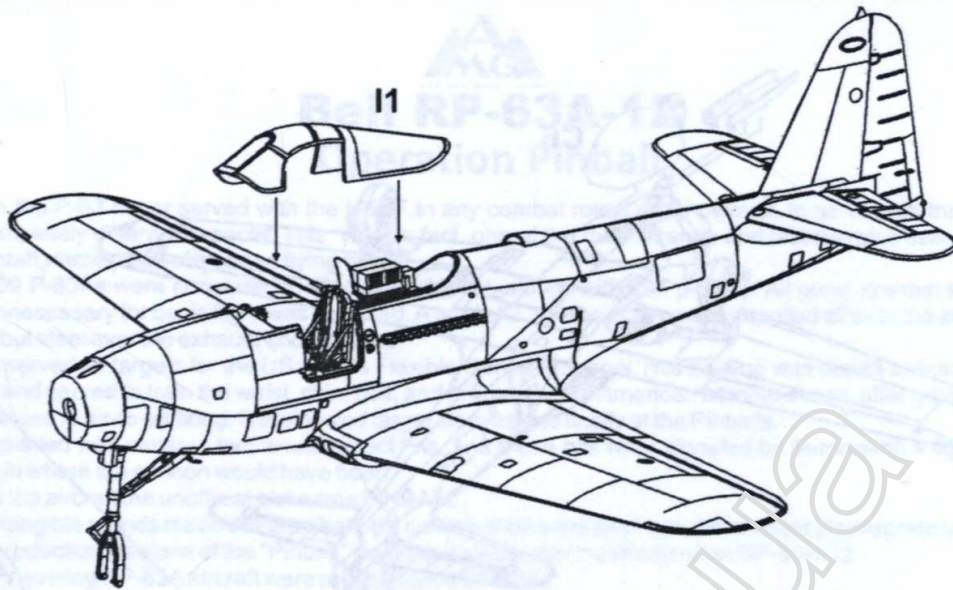
34



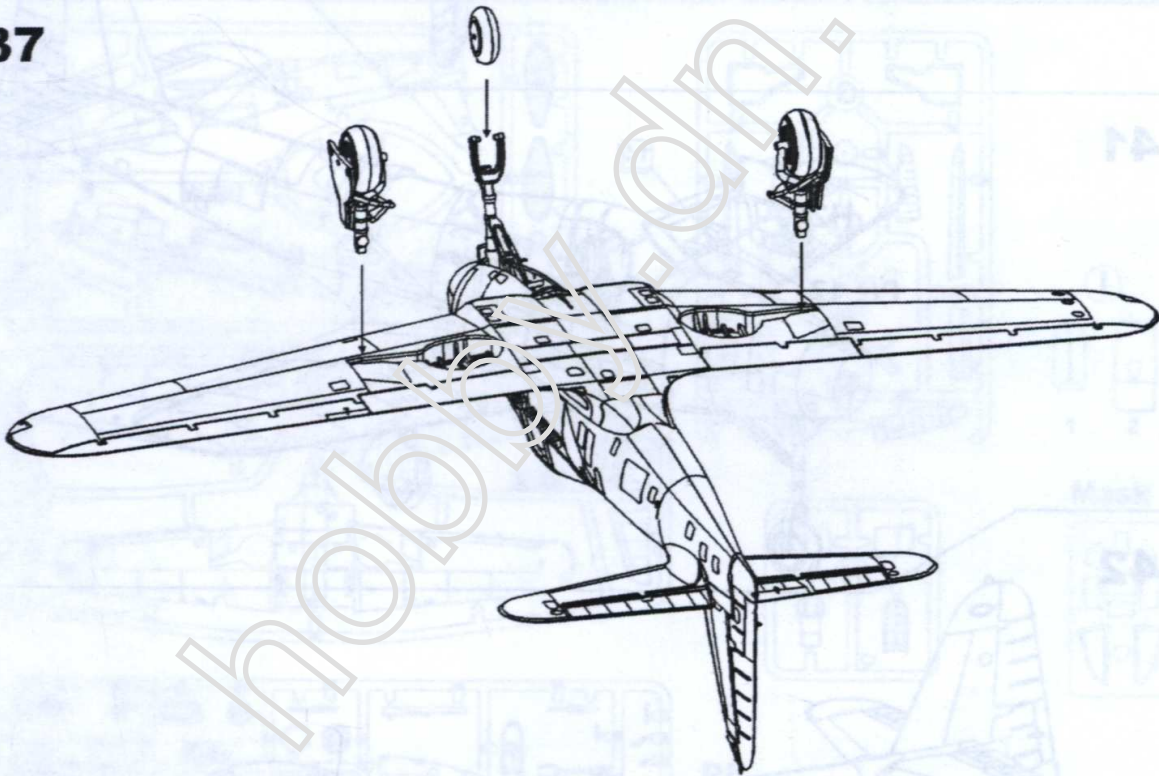
35



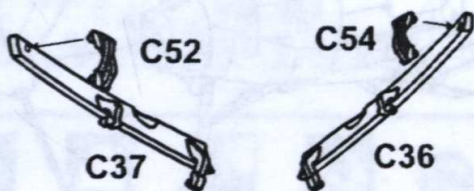
36



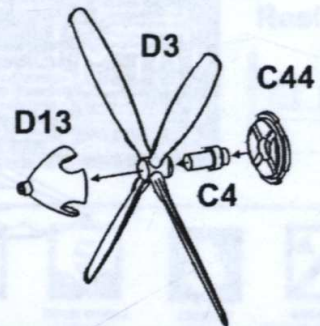
37



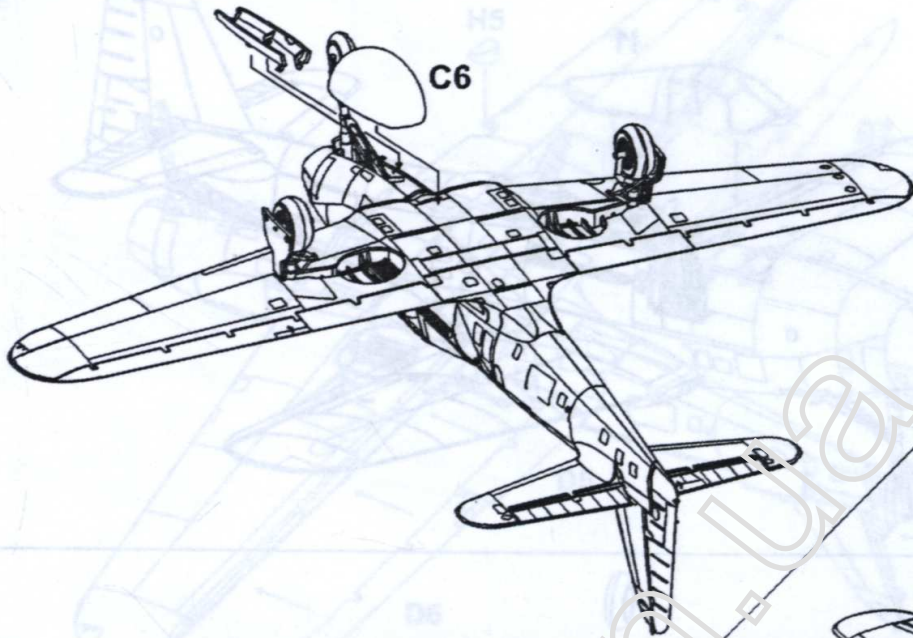
38



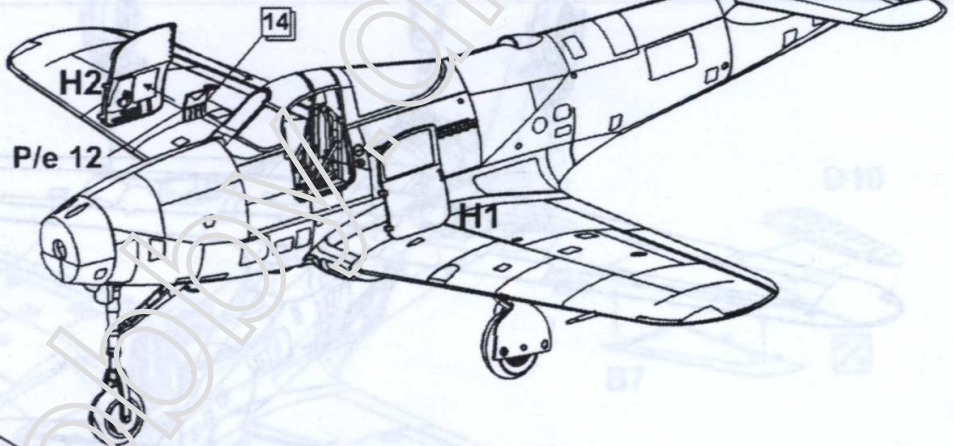
39



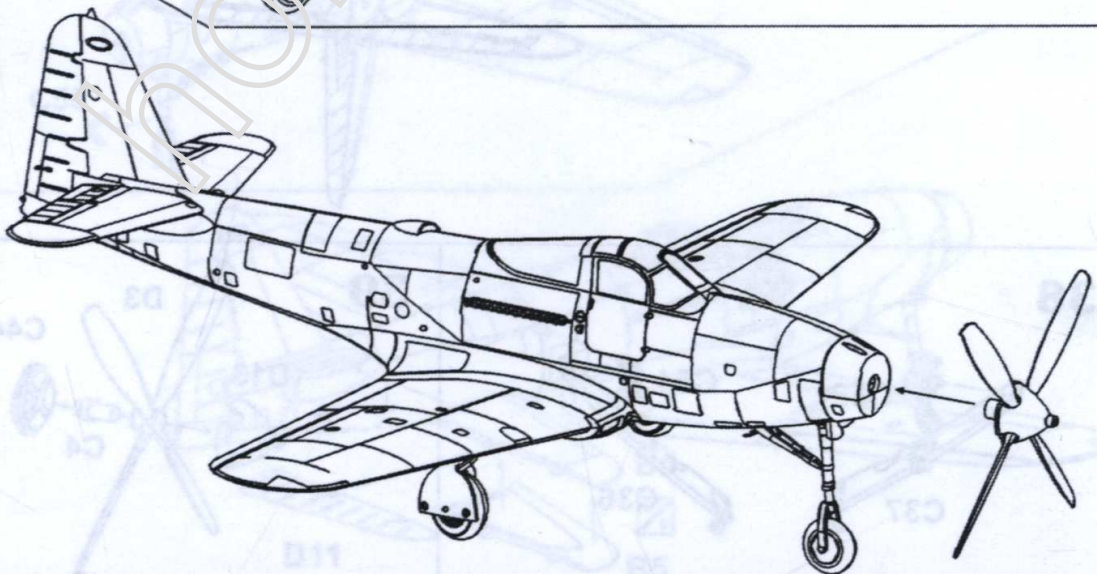
40



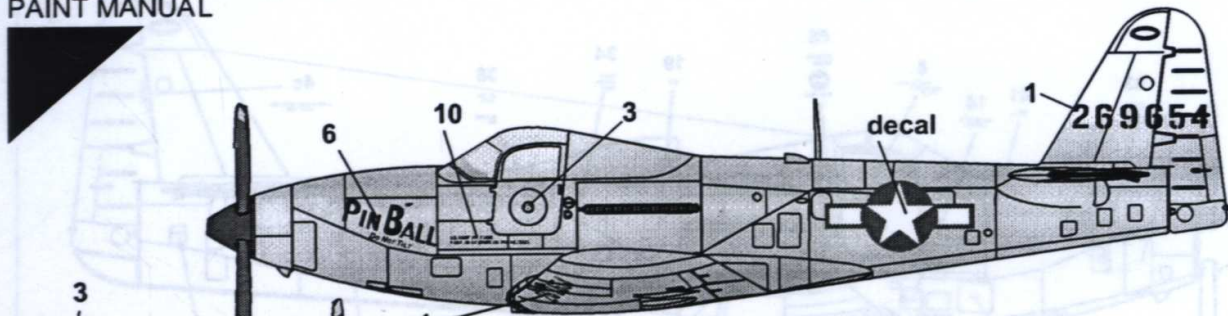
41



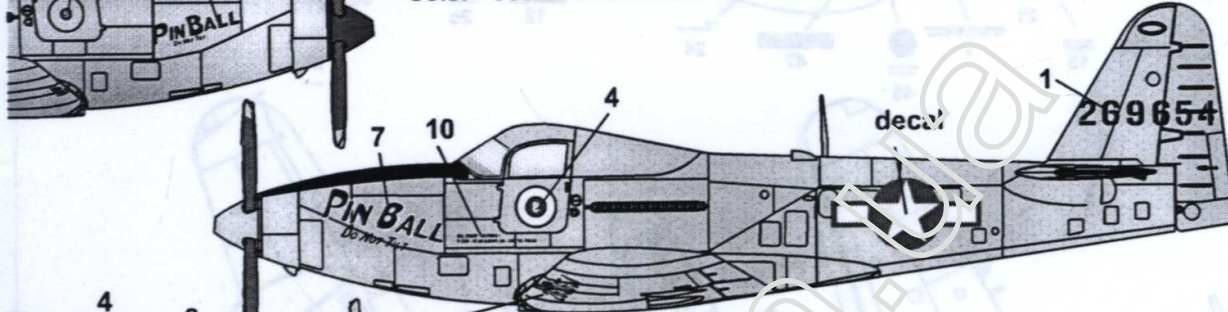
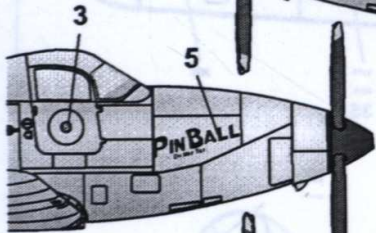
42



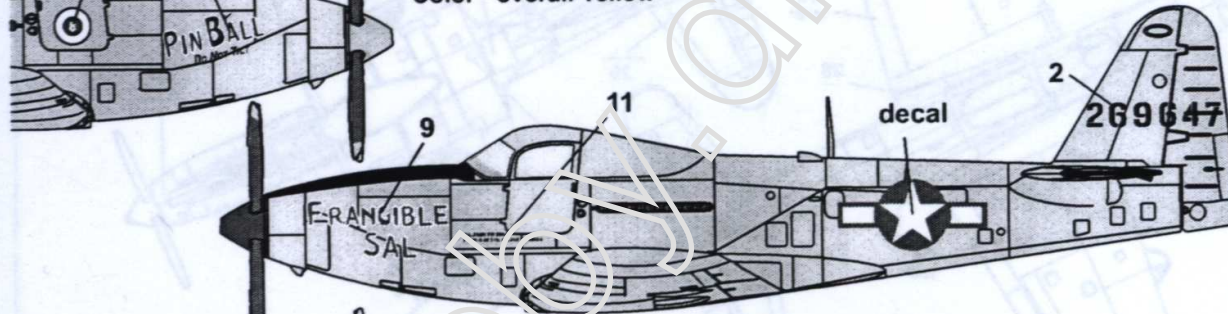
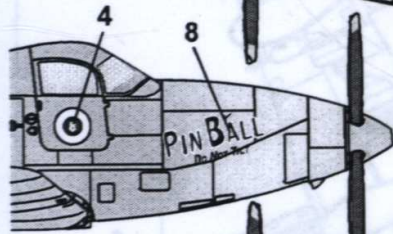
PAINT MANUAL



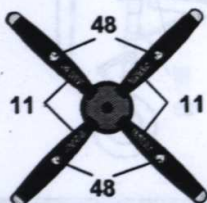
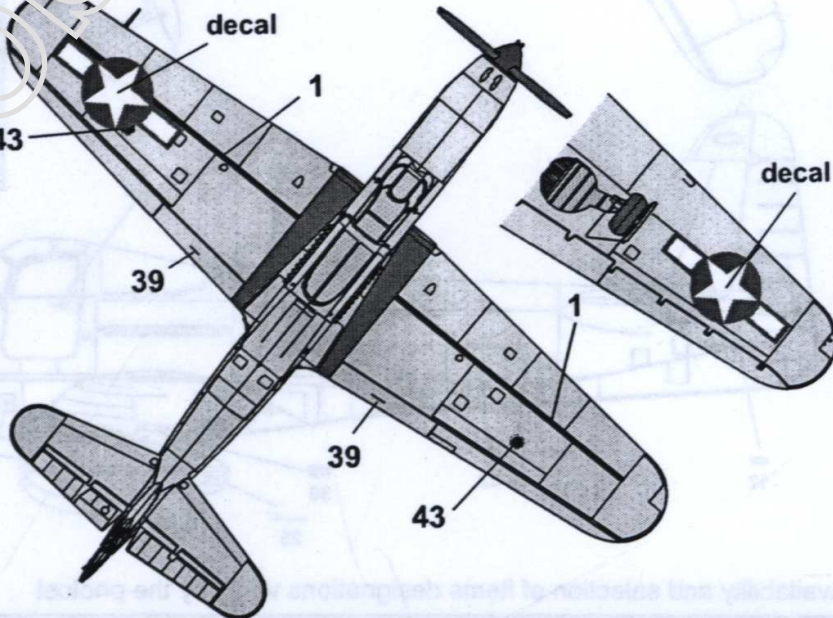
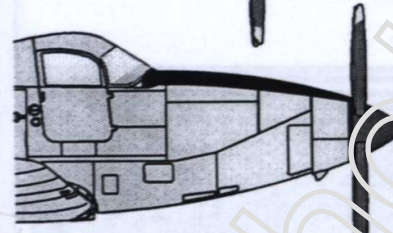
Bell RP-63A «Pin-Bal», 42-69654, Laredo, August 1944
Color - overall Alluminium

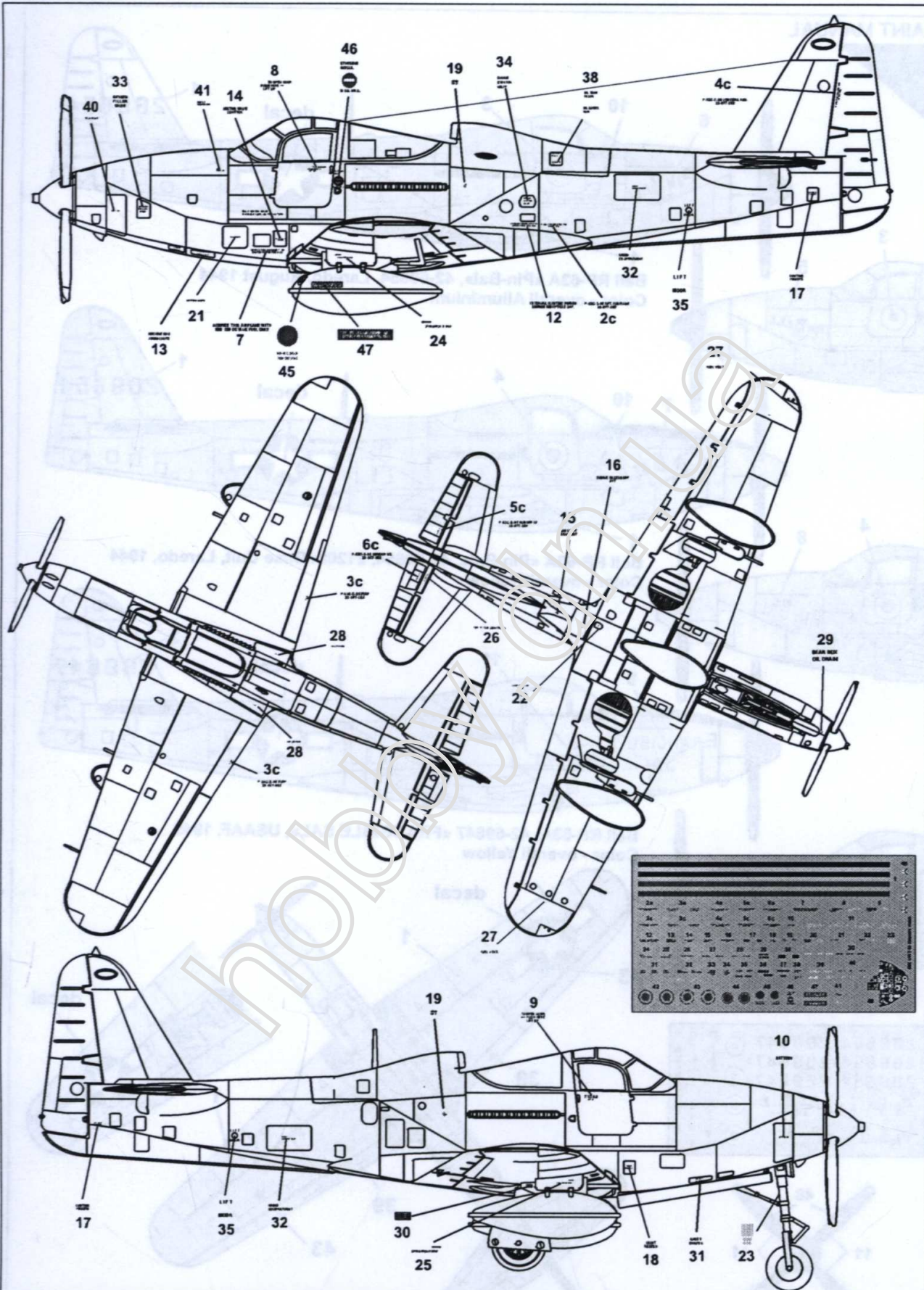


Bell RP-63A «Pin-Bal», 42-69654, 2126th Base Unit, Laredo, 1944
Color - overall Yellow



Bell RP-63A, 42-69647 «FRANGIBLE SAL», USAAF, 1945
Color - overall Yellow





Availability and selection of items designations verify by the photos!