



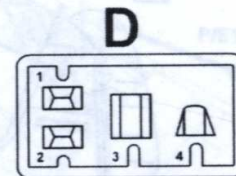
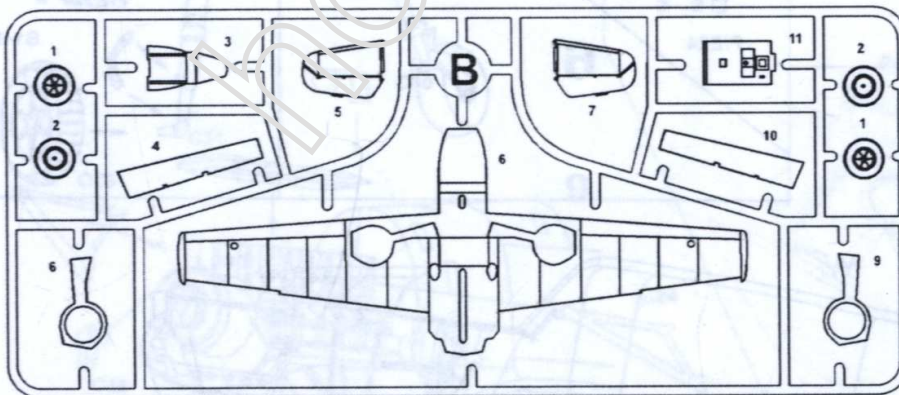
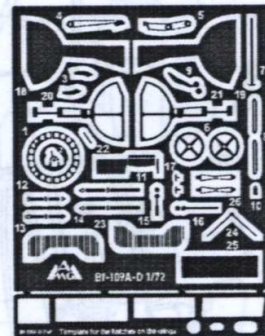
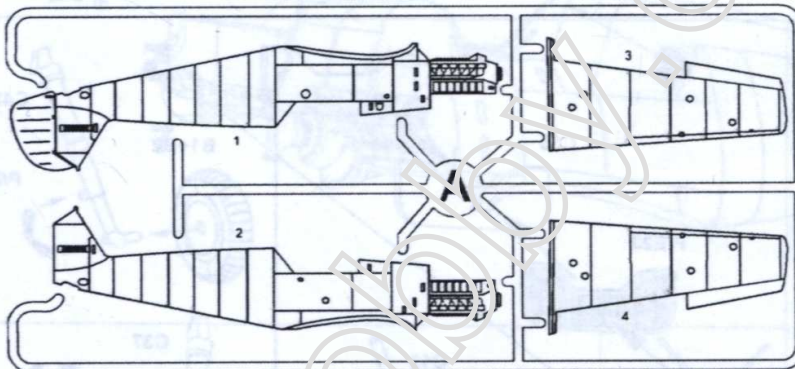
№ 72-413

# Messerschmitt BF.109 V-7 Dubendorf, 1937

The Messerschmitt Bf-109 is a German WW2 fighter aircraft that was the backbone of the Luftwaffe's fighter force.

The first prototype (V.1) Bf 109 with civilian registration D-IABI, was completed by May 1935. The first flight of new fighter aircraft (V.2) took place at the end of May, 1936. Bf 109 V.4, V.5, and V.6 were sent to Spain and valuable front-line experience was gained to enhance further development.

In July 1937, not long after the public debut of the new fighter, three Bf-109 prototypes (V.7, V.12, V.13) took part in the Flugmeeting airshow in Zurich under the command of Major Seidemann. They won in several categories: First prize in a speed race over a 202 km course, 1st prize in the class "A" category in the international Alpenrundflug for military aircraft, and victory in the international Patrouillenflug category...



THE CONDITIONAL DENOTATION

УСЛОВНЫЕ ОБОЗНАЧЕНИЯ



BE CAREFUL  
ОСТОРОЖНО



DON'T CEMENT  
НЕ КЛЕИТЬ



REMOVE  
РЕЗАТЬ



SYMMETRICAL  
СИММЕТРИЧНО



MAKE TWO  
УДВОИТЬ



OPTIONAL  
НЕОБЯЗАТЕЛЬНО



BEND  
СОГНУТЬ



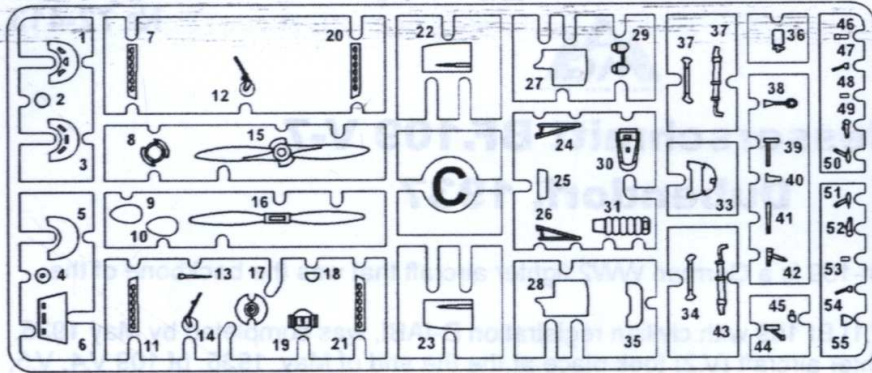
OPEN WHOLE  
СВЕРЛИТЬ



CEMENT  
КЛЕИТЬ



VARIANTS  
ВЫБОР ВАРИАНТА



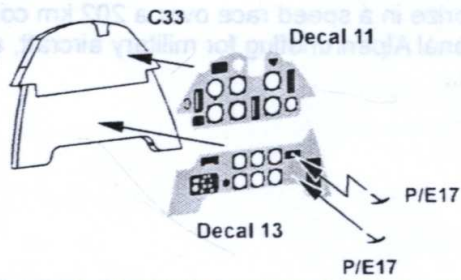
Resin



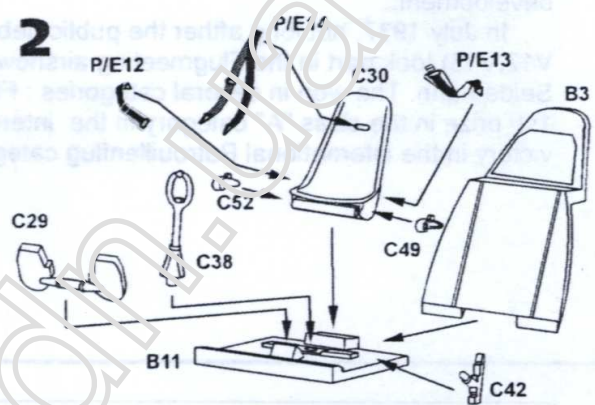
ASSEMBLY MANUAL



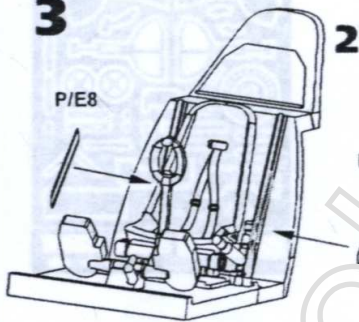
**1**



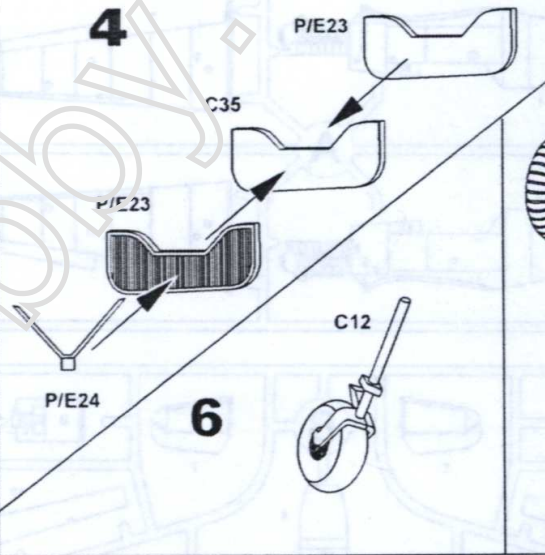
**2**



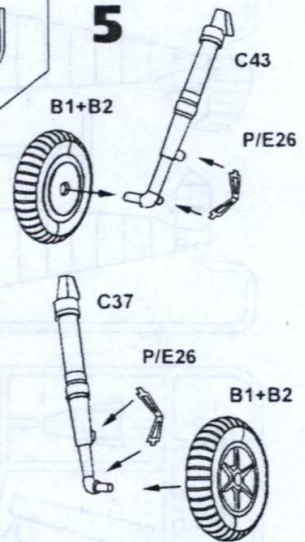
**3**



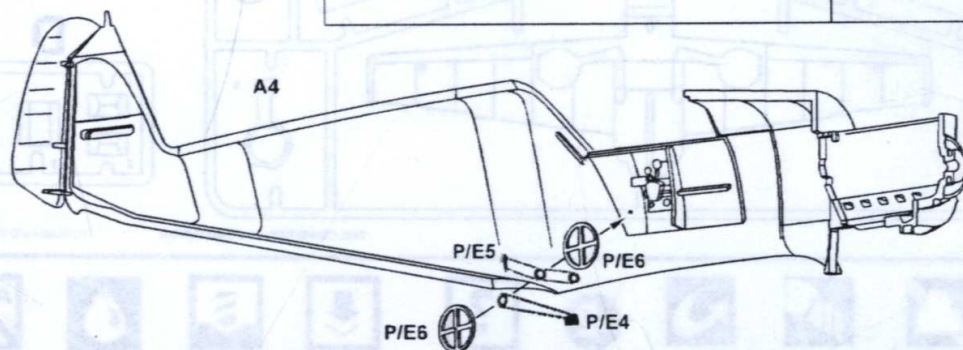
**4**



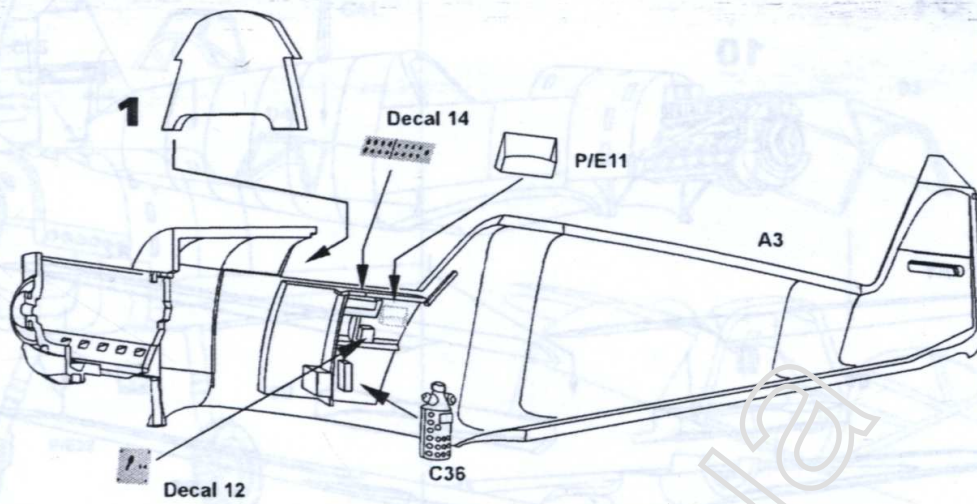
**5**



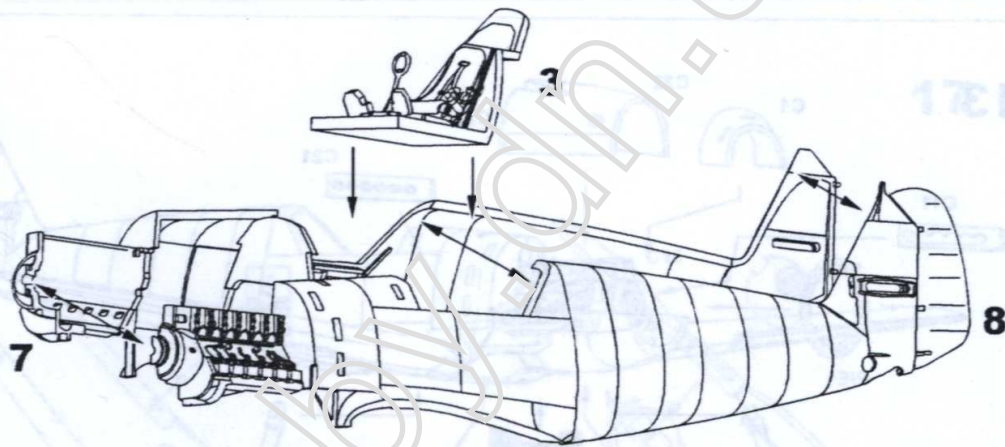
**7**



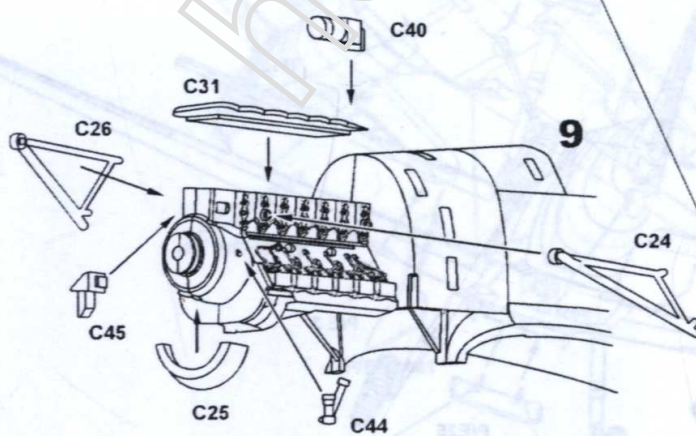
8



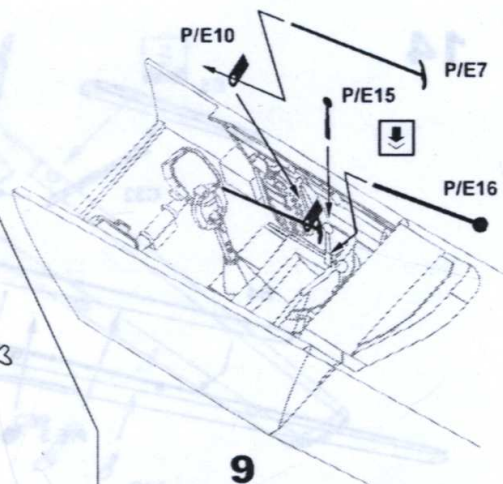
9

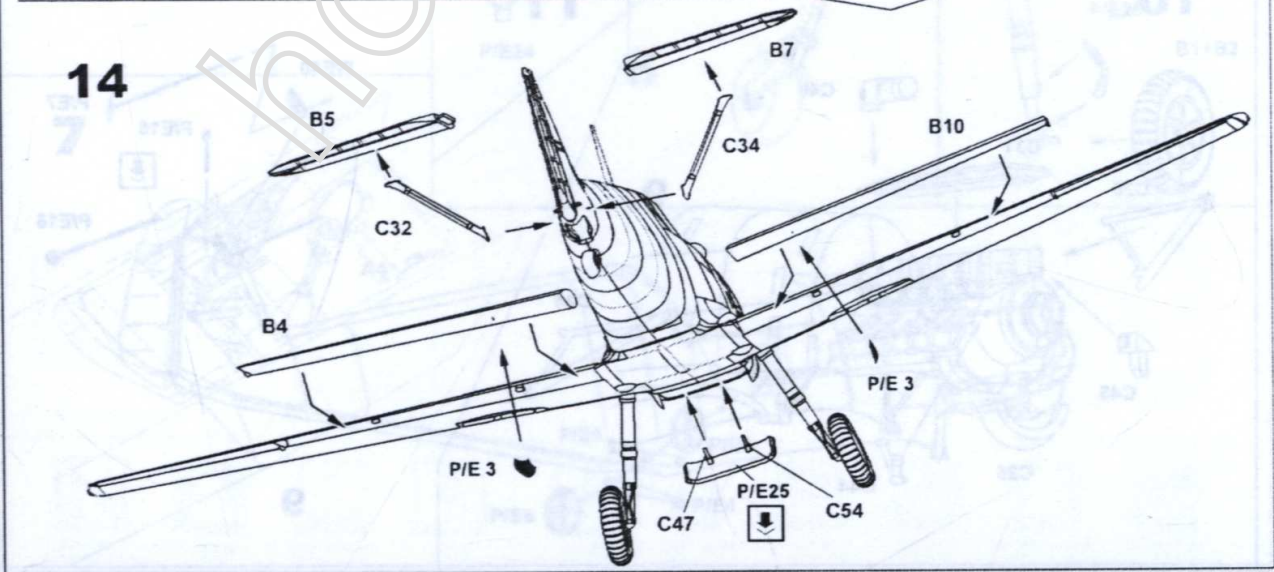
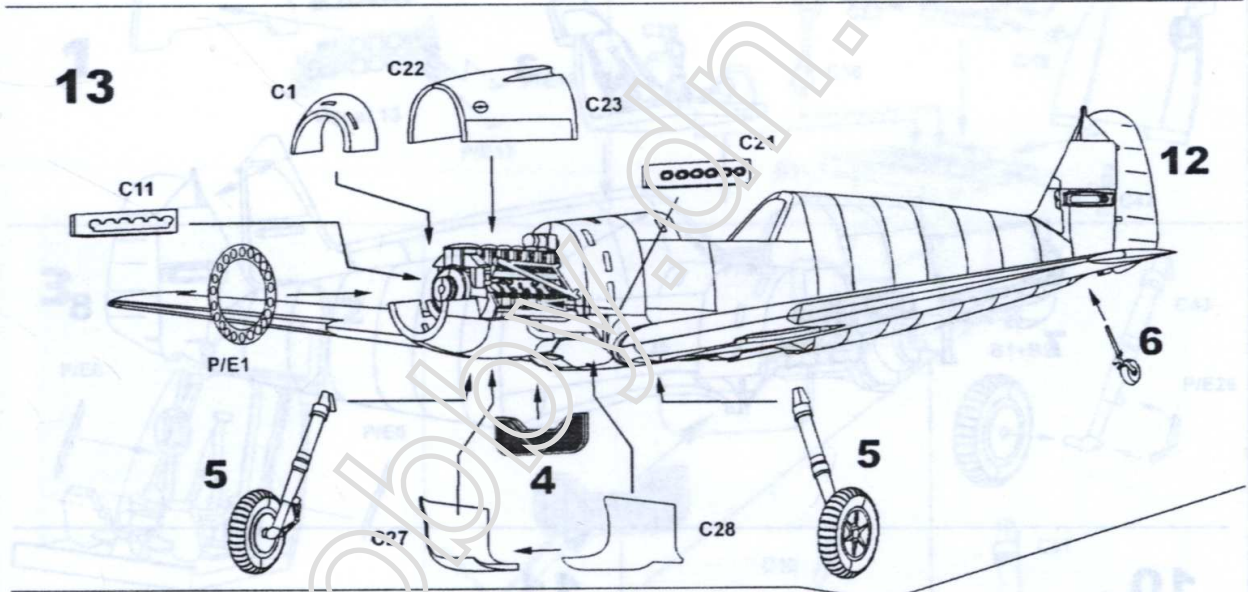
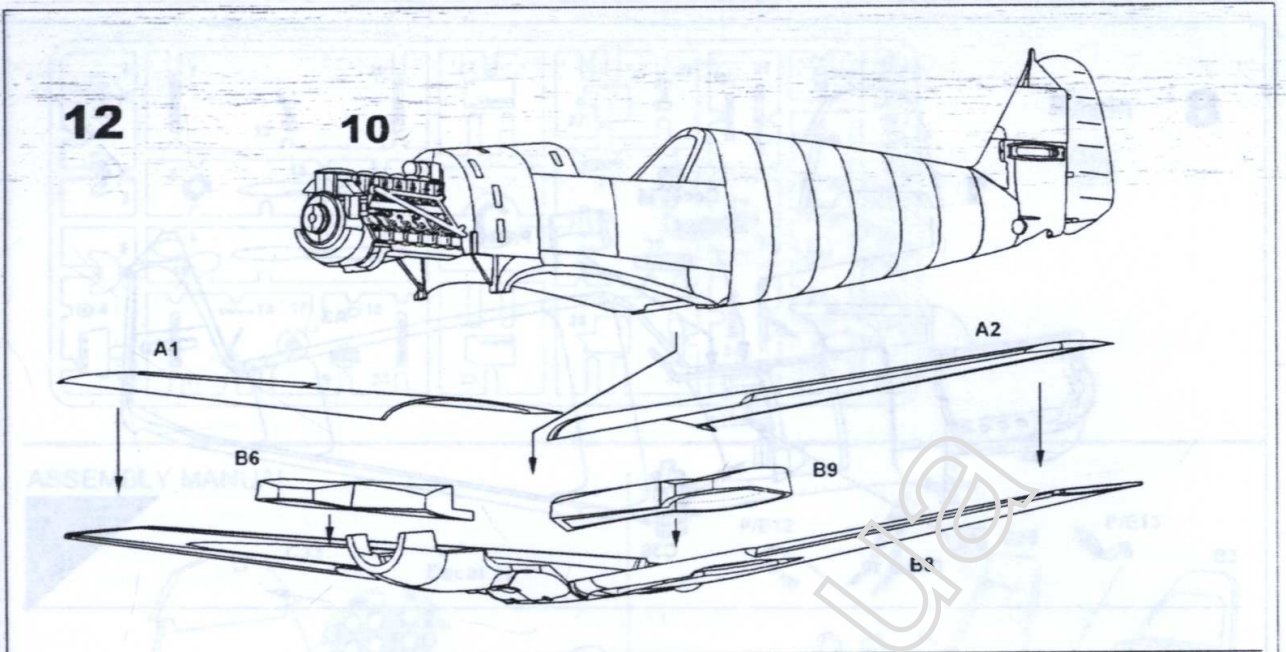


10

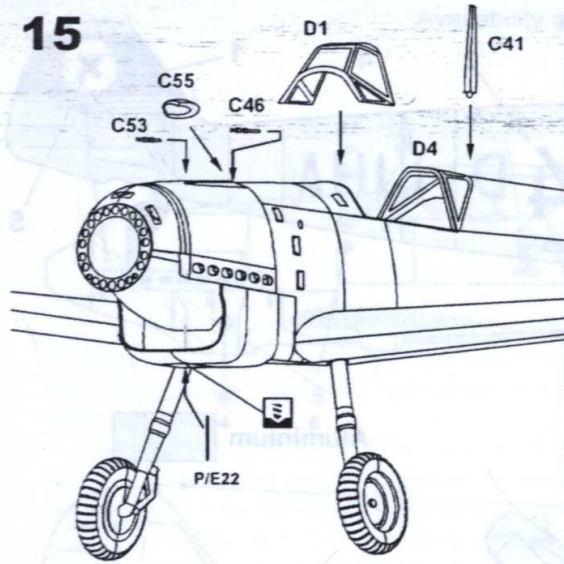


11

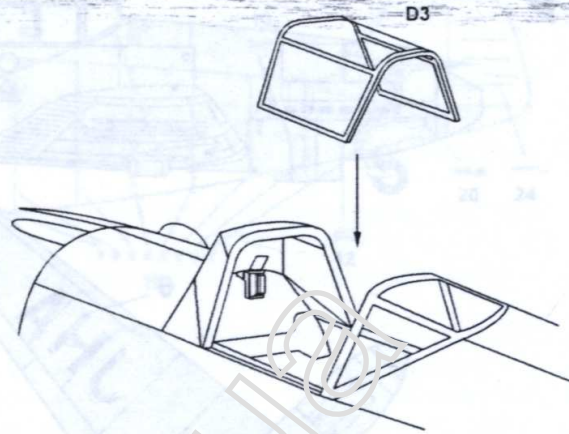




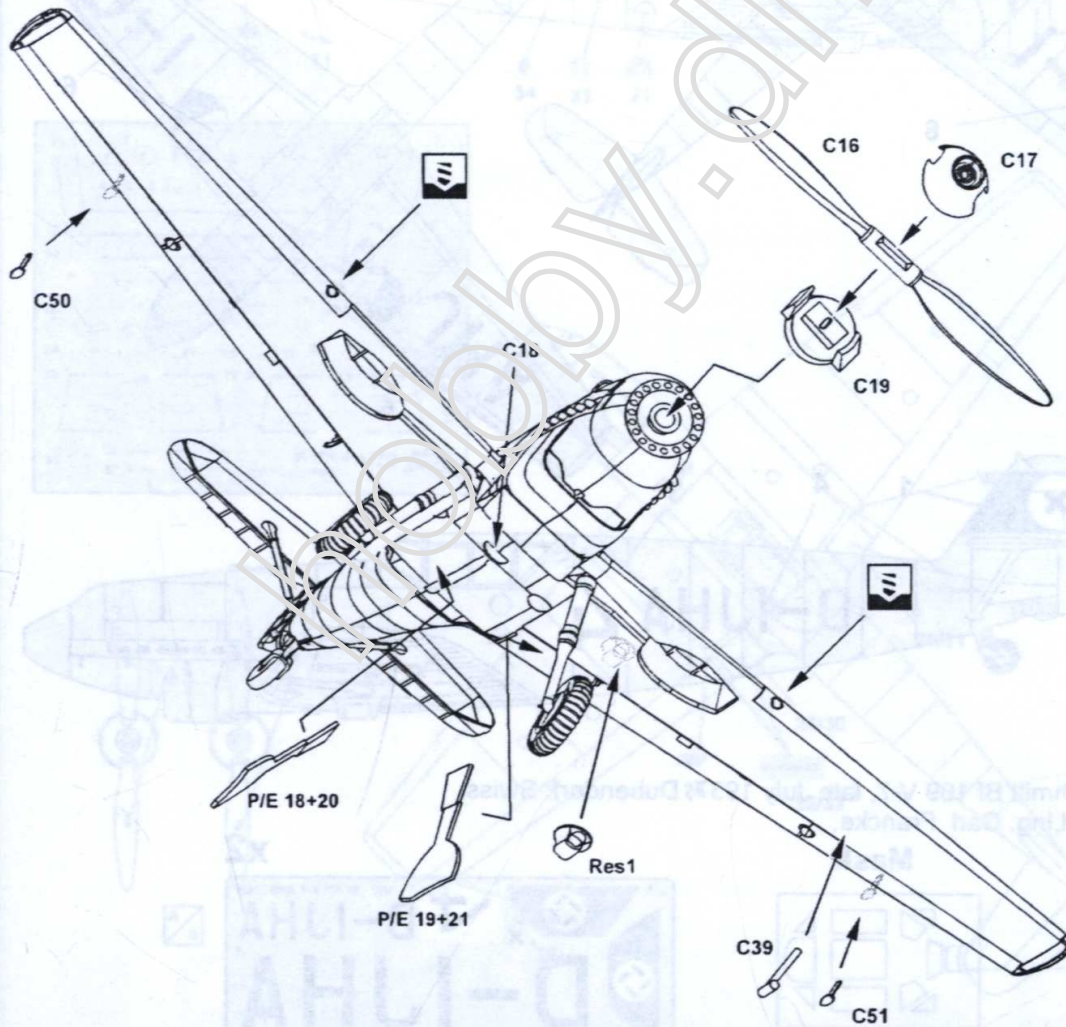
15



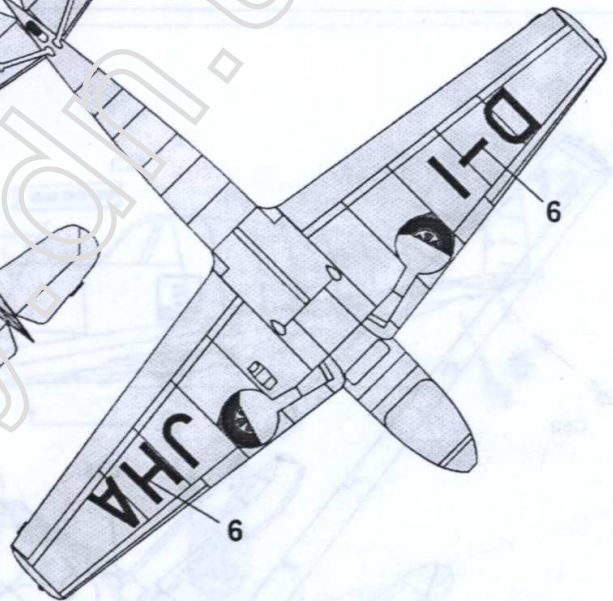
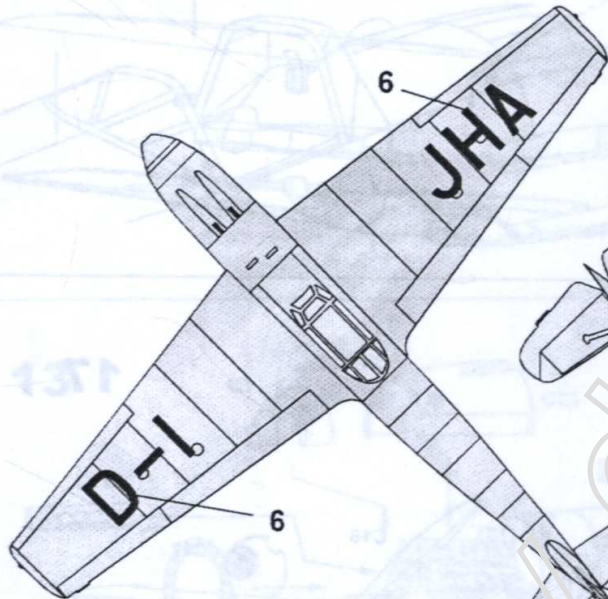
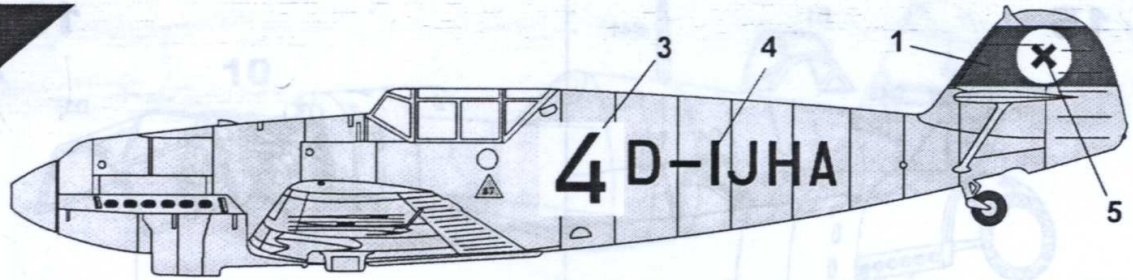
16



17



PAINT MANUAL



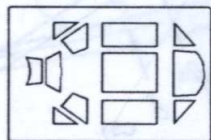
Aluminium 



Messerschmitt Bf 109 V-7, late July 1937, Dubendorf, Swiss.  
Pilot - Dipl.Ing. Carl Francke.

Mask

x2



Availability and selection of items designations verify by the photos!

