



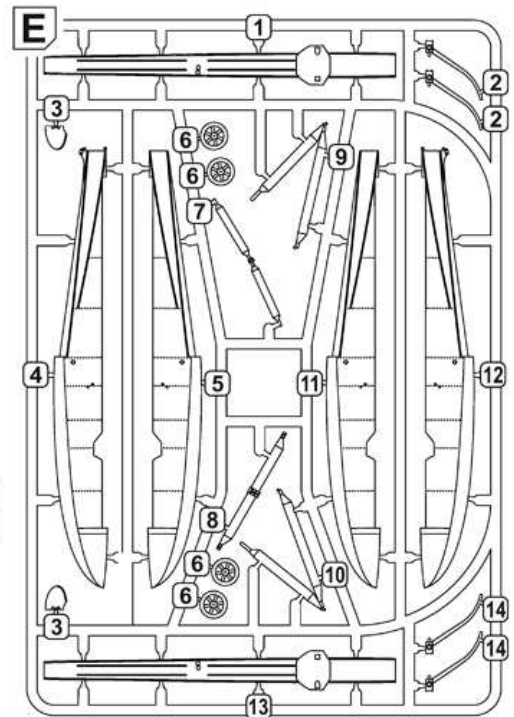
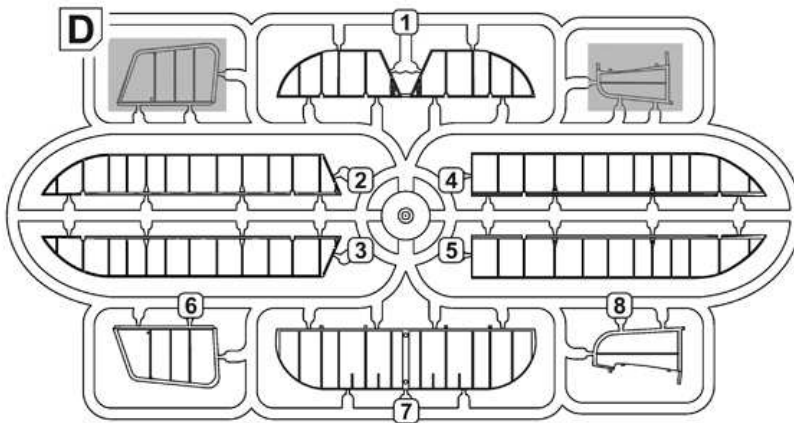
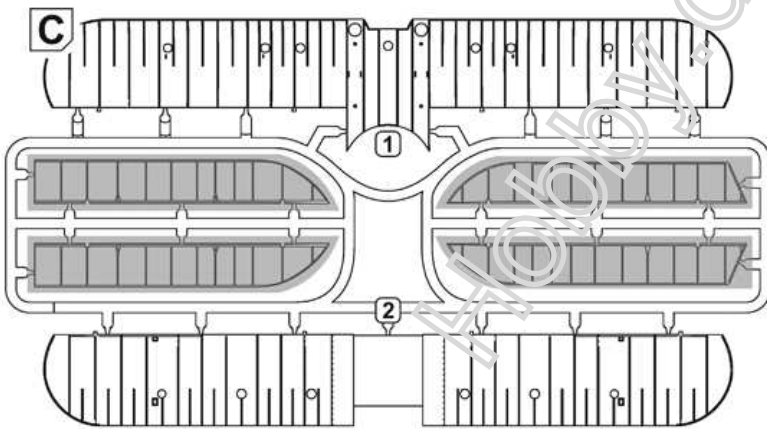
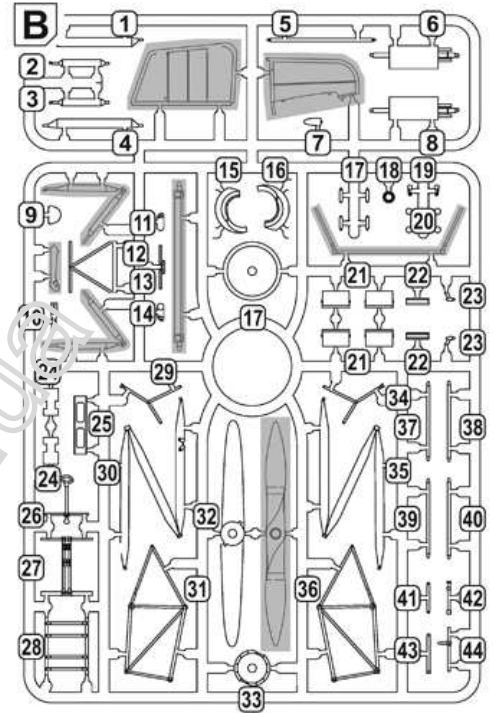
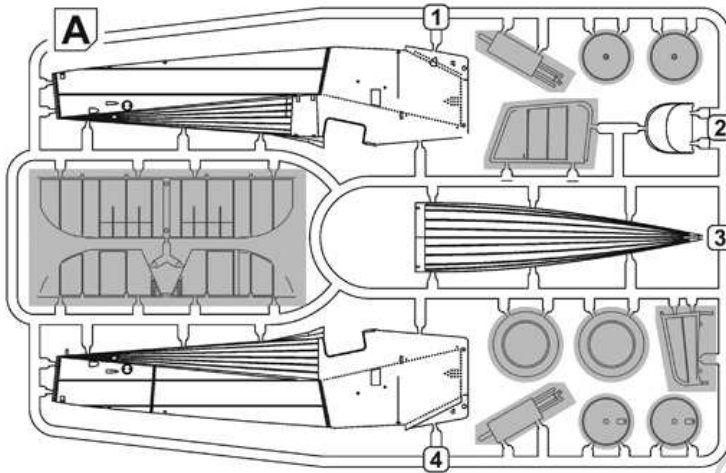
1/48
AR48004

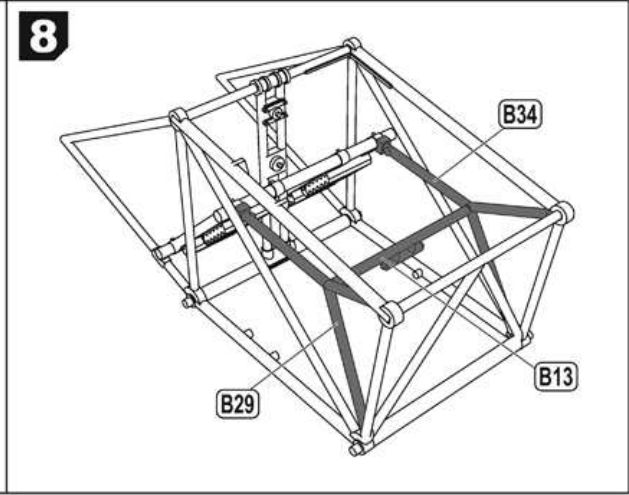
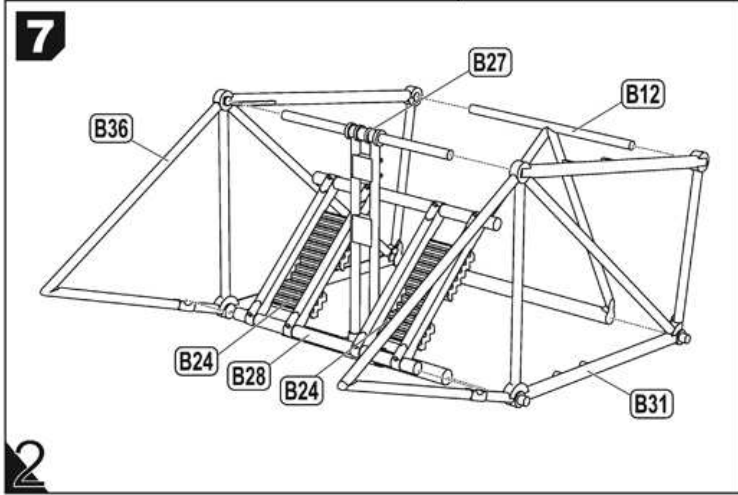
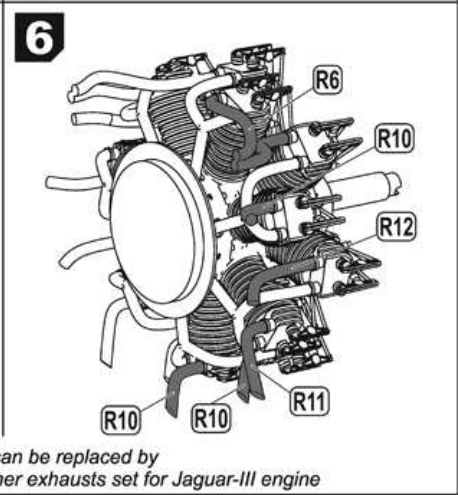
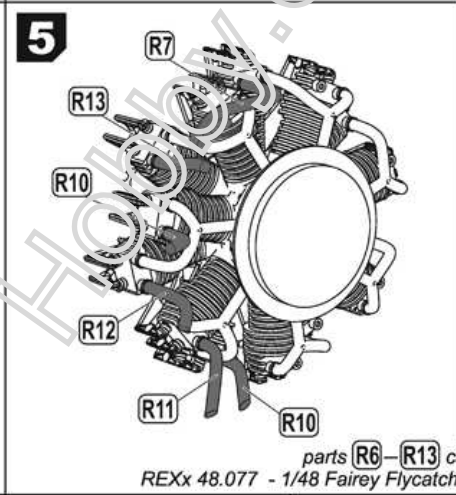
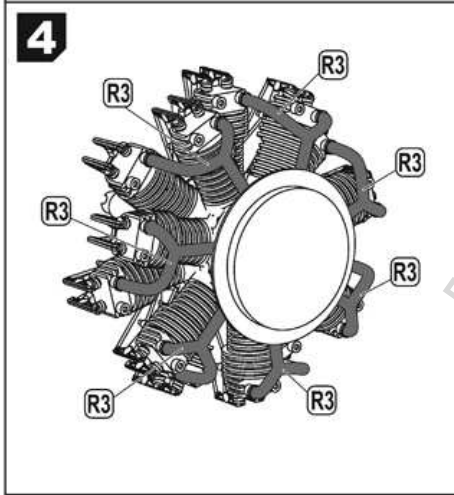
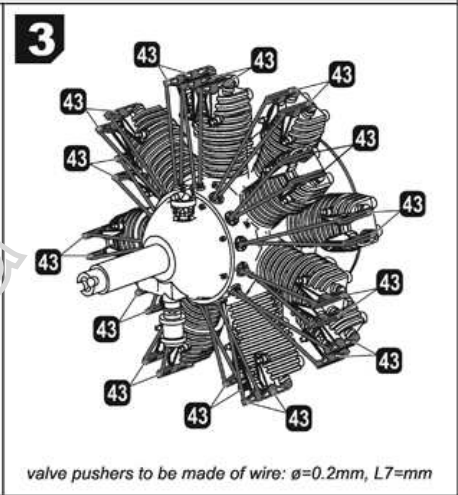
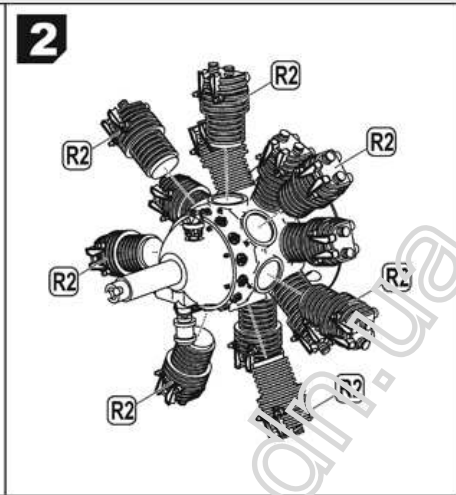
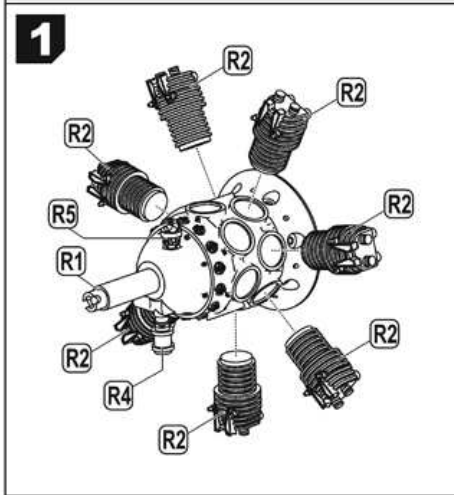
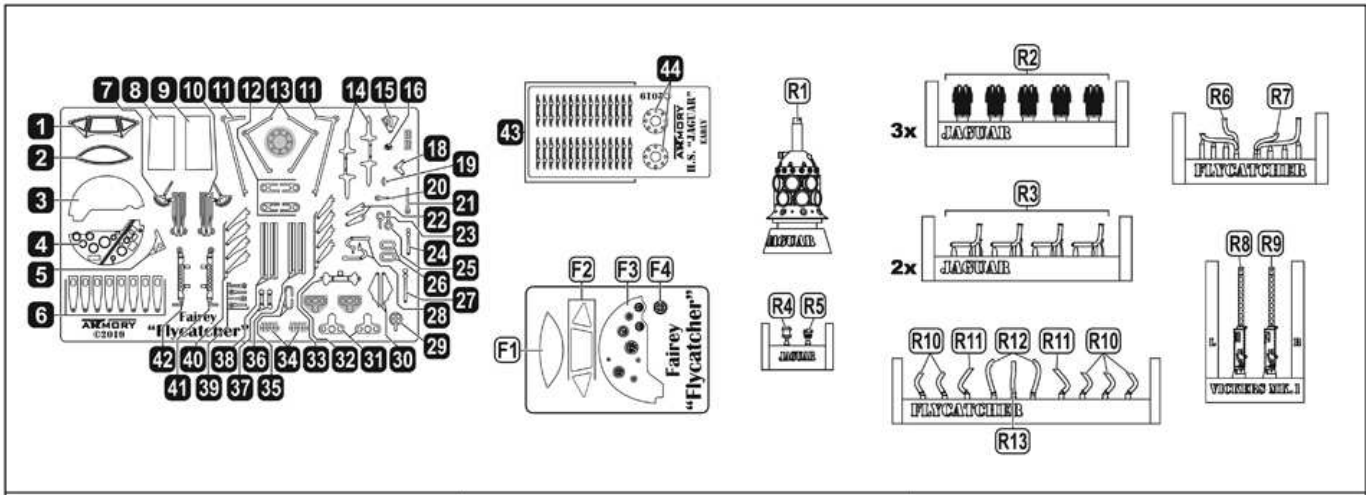
Fairey Flycatcher

**British Interwar FAA
Floatplane Fighter, Late (Metal)**
plastic injected kit w/ PE & resin parts
Made in Ukraine. ©Armory, 2021

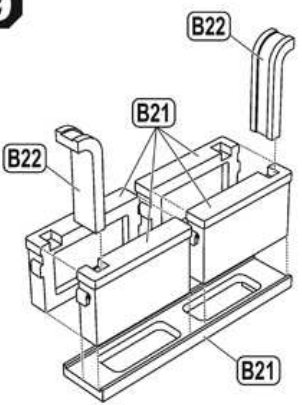


Our special thanks go to **Mr. Ilya Sobolev** for subject research, reference consultation and technical support during kit's development and pre-production screening

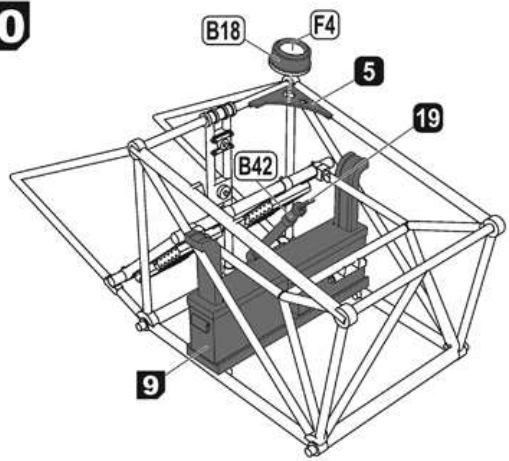




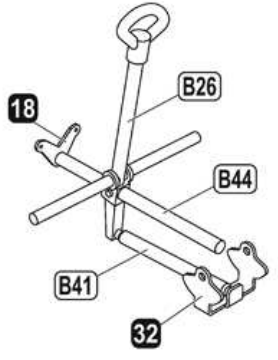
9



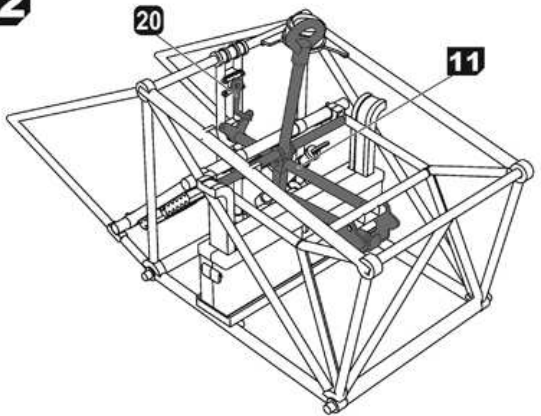
10



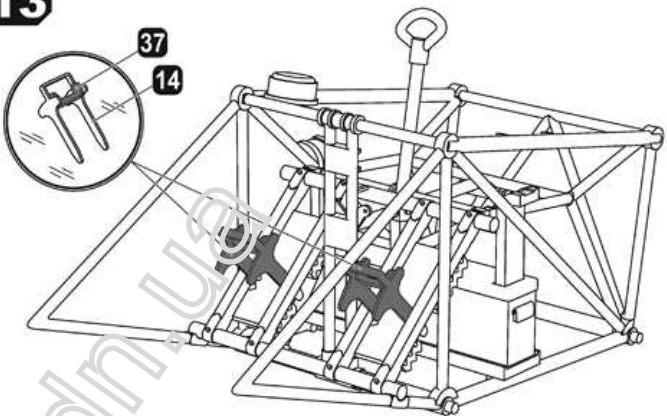
11



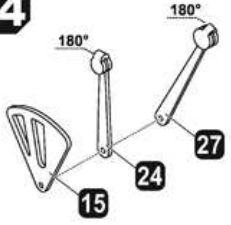
12



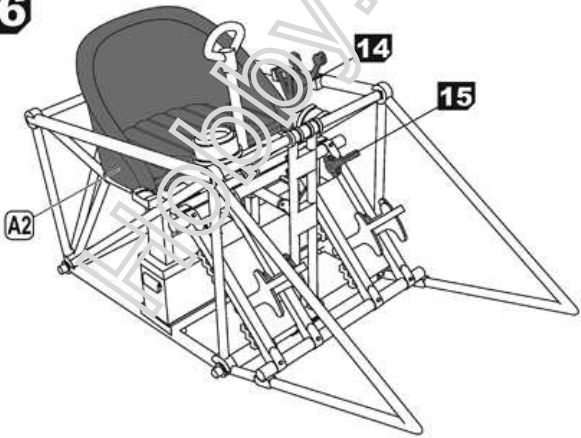
13



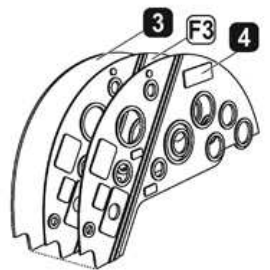
14



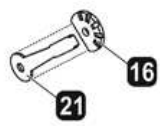
16



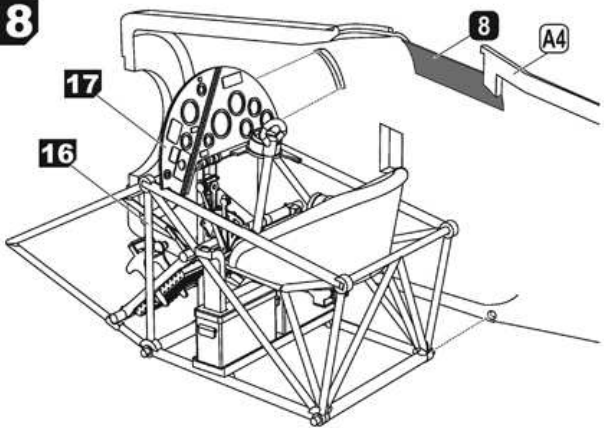
17



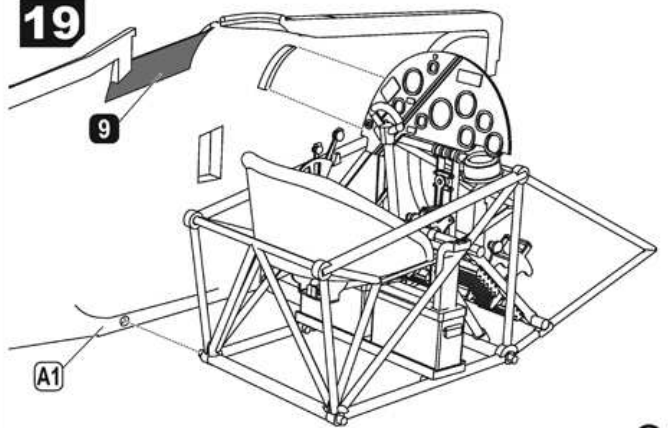
15



18

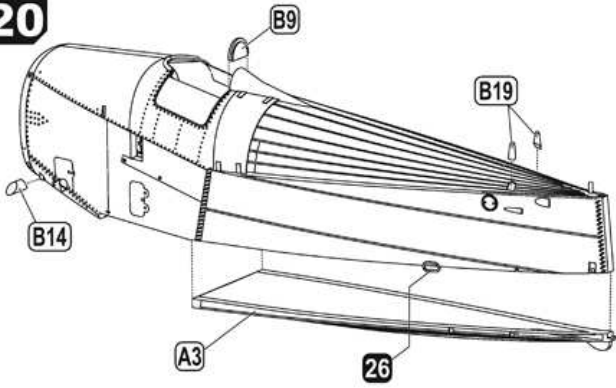
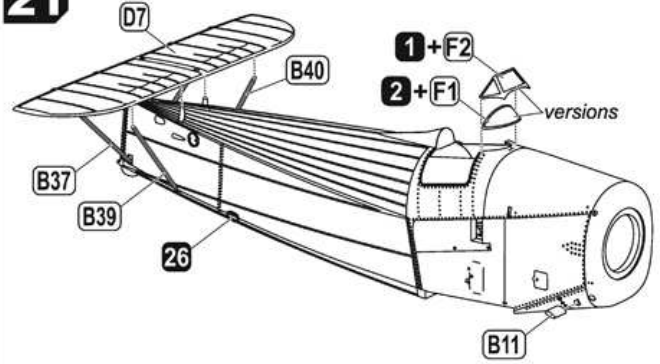
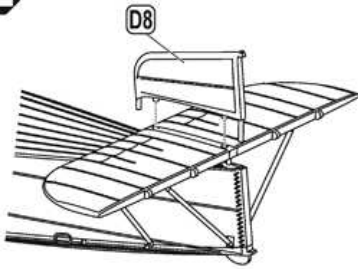
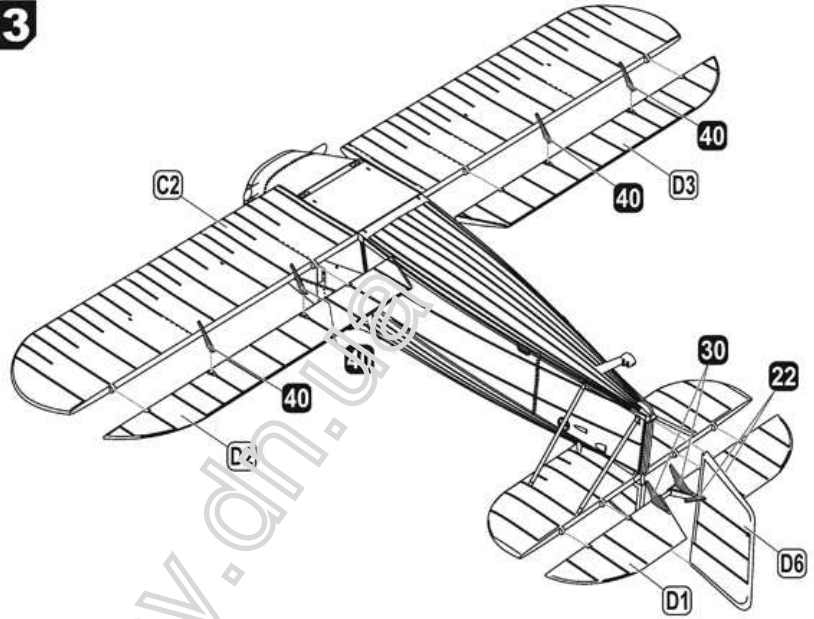
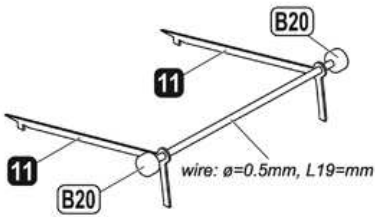
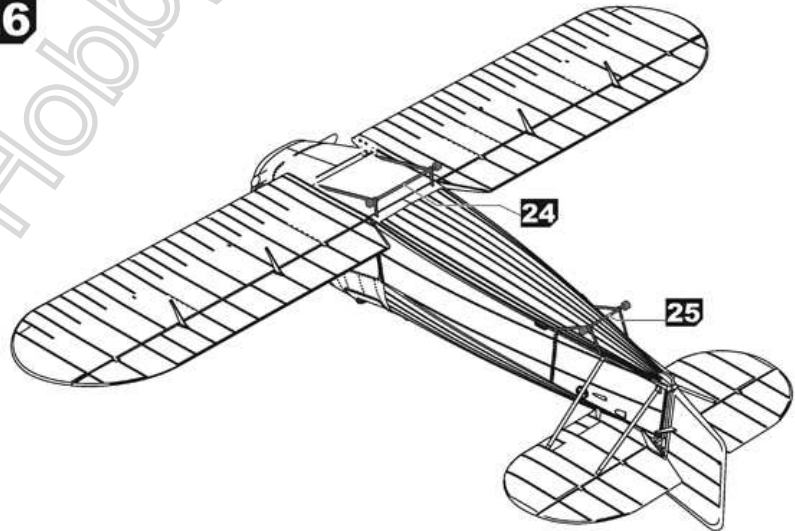
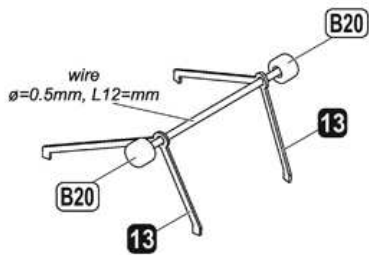
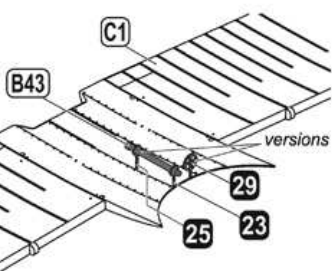
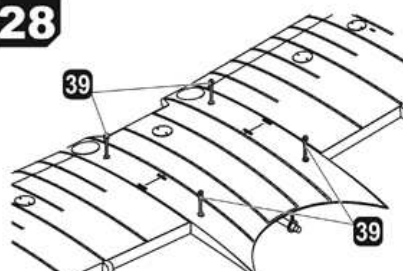
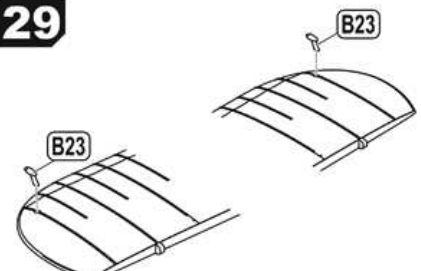


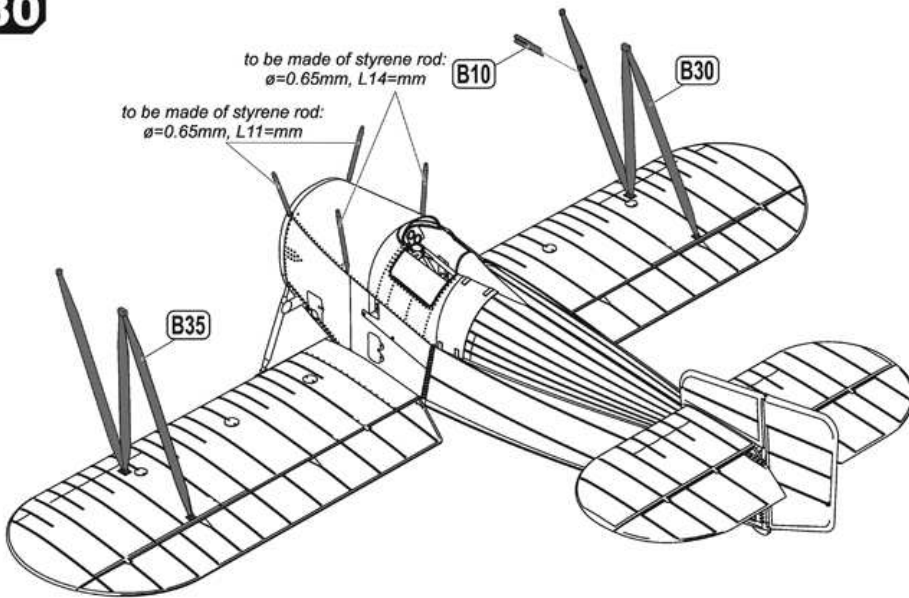
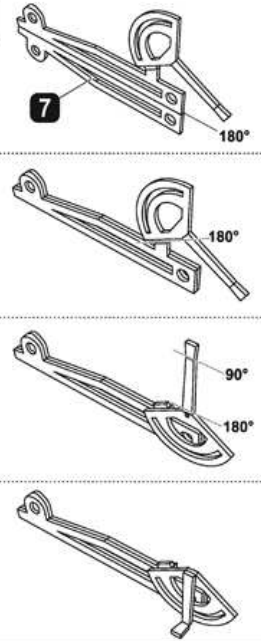
19



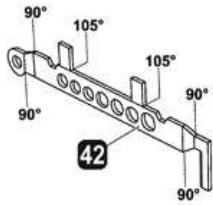
to make part **8** sliding, use parts **36** and **38** as side guide rails

to make part **9** sliding, use parts **36** and **38** as side guide rails

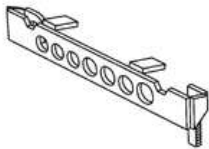
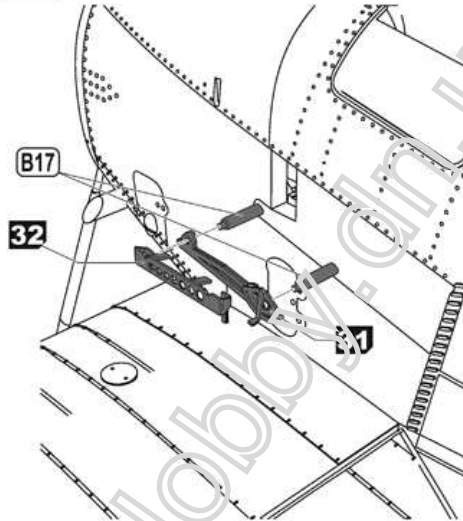
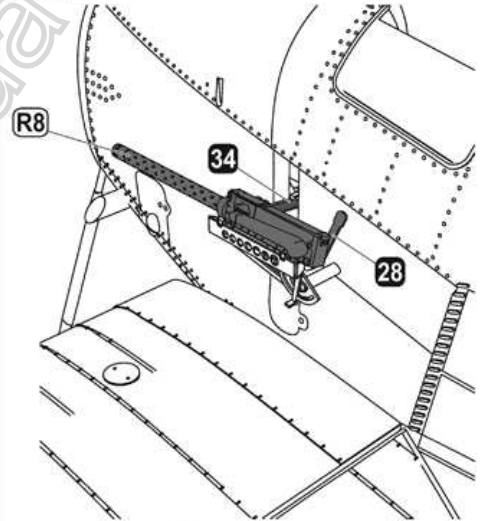
20**21****22****23****24****26****25****27****28****29****4**

30**31**

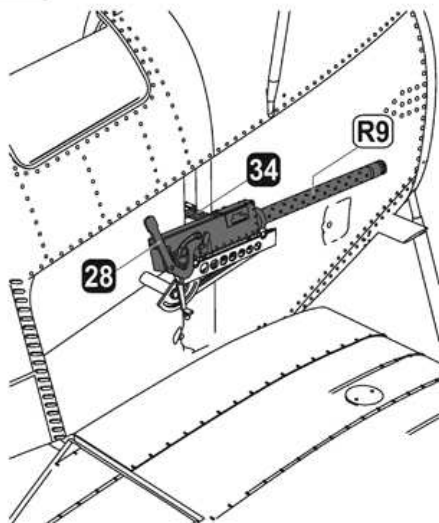
provide the same sequence for the part
10 (mirrored)

32

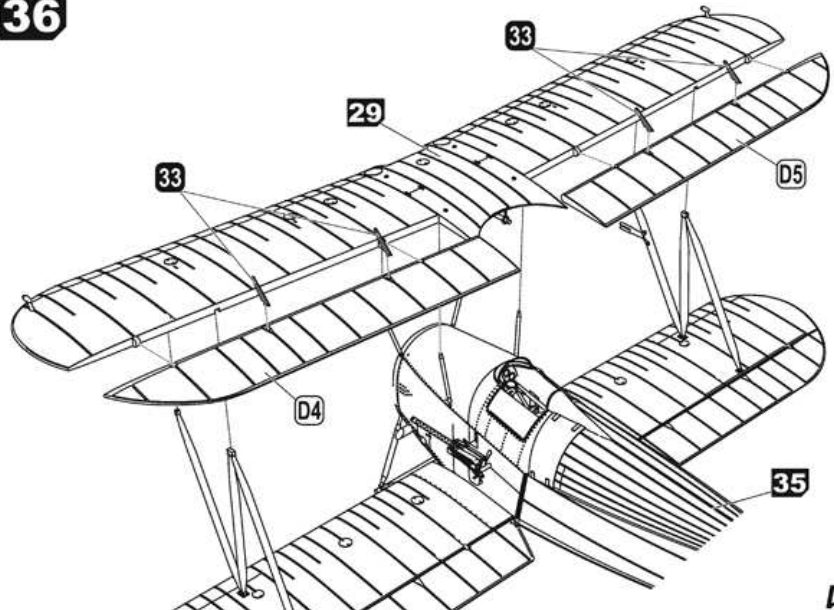
provide the same sequence for the part
41 (mirrored)

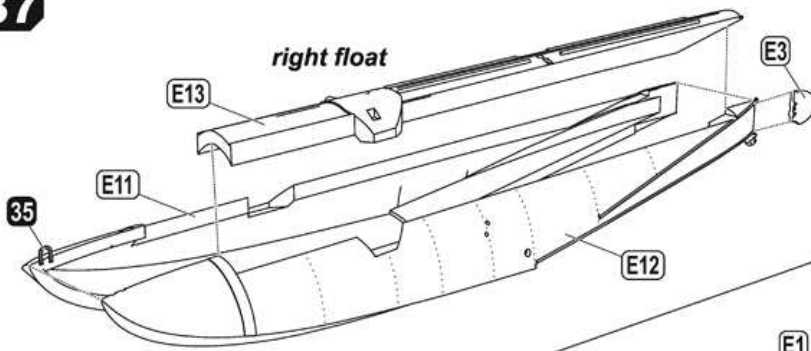
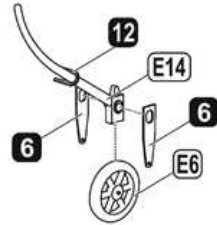
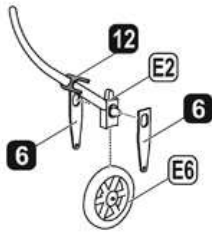
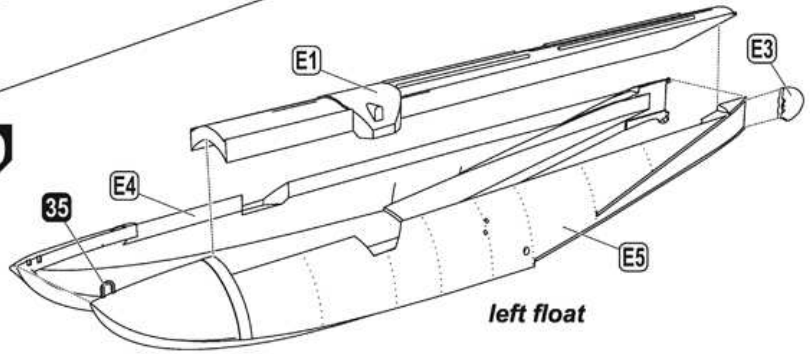
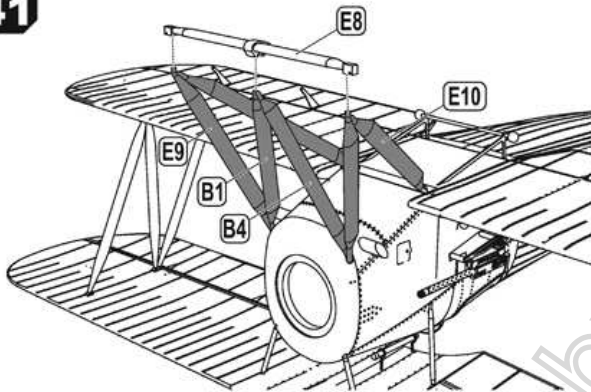
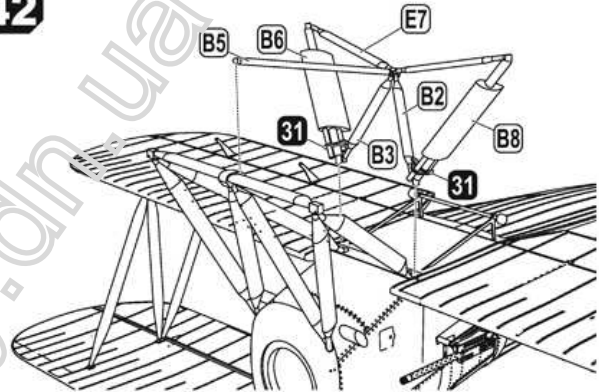
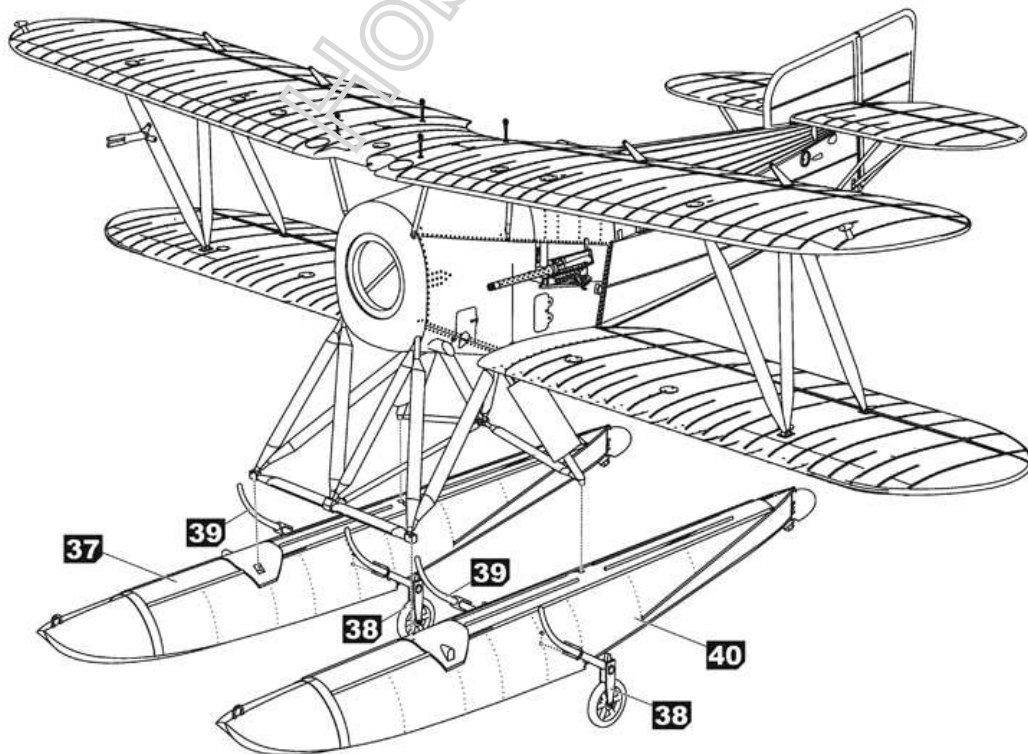
**33****34**

part **R8** can be replaced by
 MiniWorld A48 62 - 1/72 Vickers Mk.II machinegun

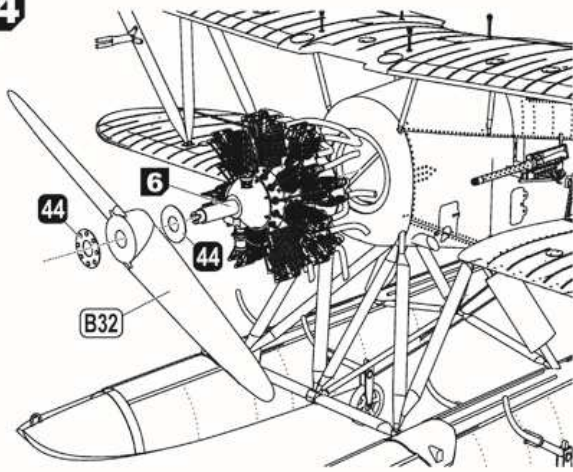
35

part **R9** can be replaced by
 MiniWorld A48 62 - 1/72 Vickers Mk.II machinegun

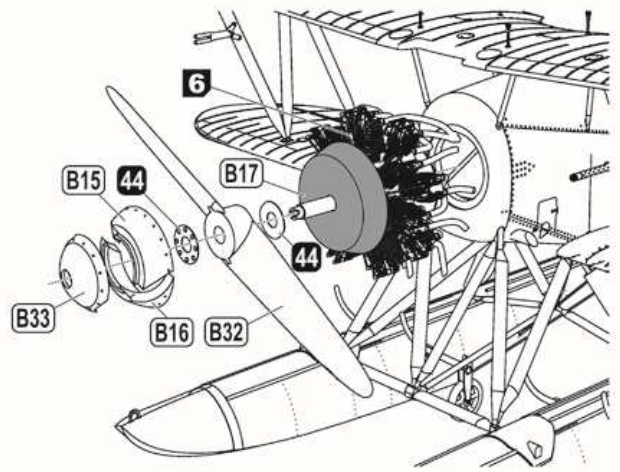
36

37**38****x2****39****x2****40****41****42****43**

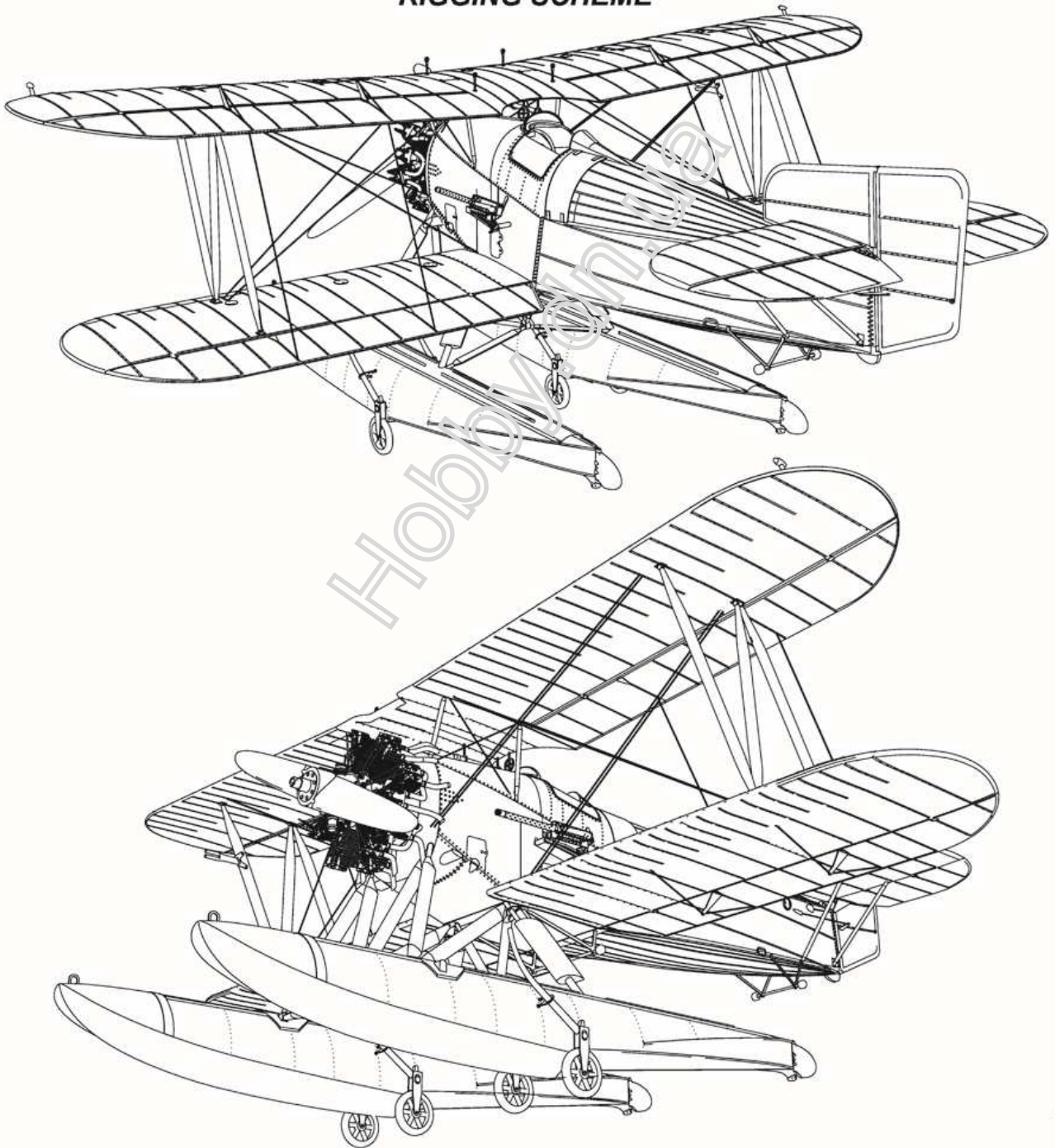
44

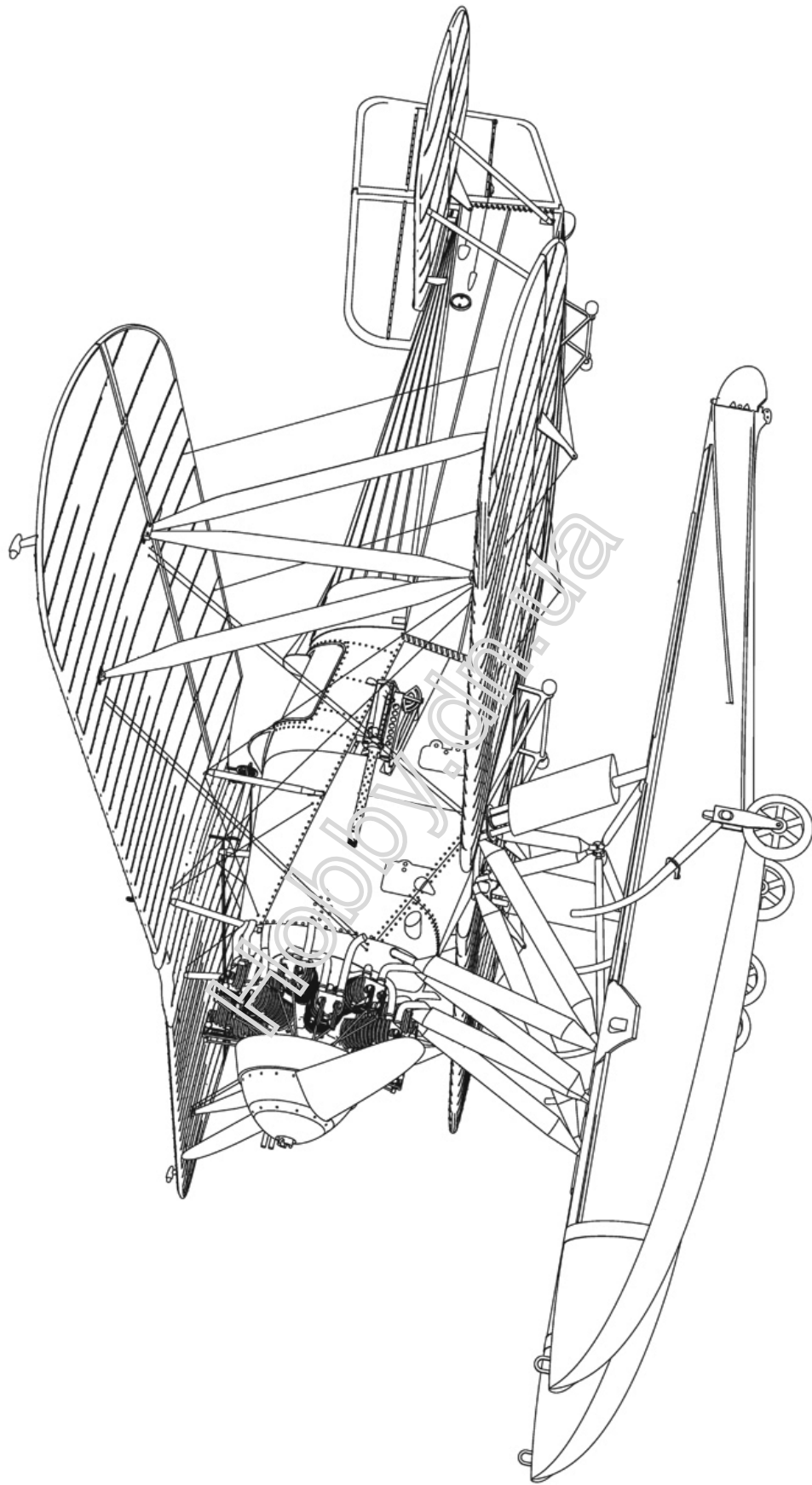


versions



RIGGING SCHEME





ARMORY**AR48004**

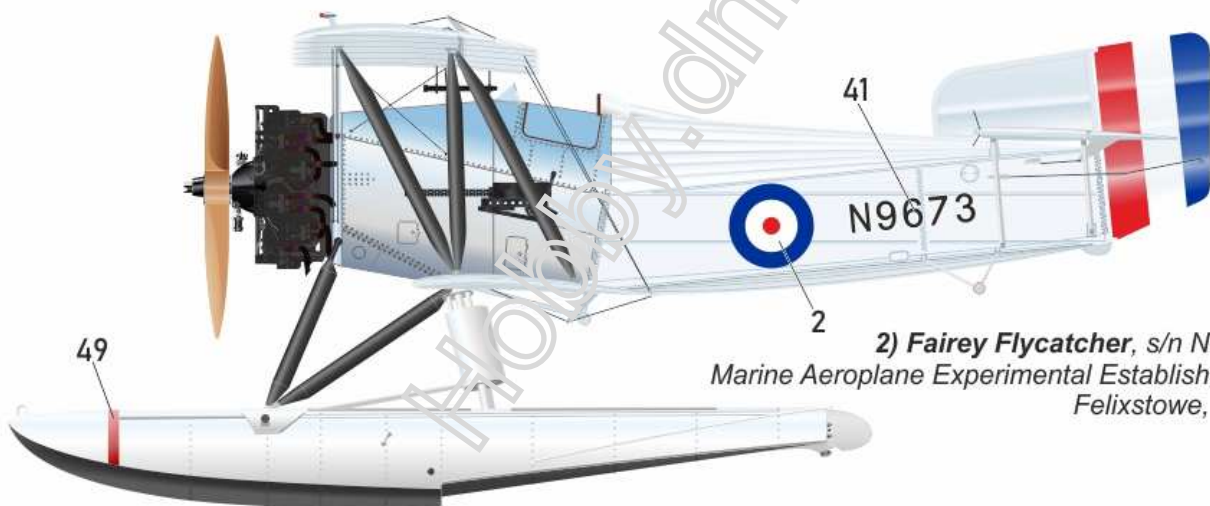
Fairey "Flycatcher"

British Interwar FAA Floatplane Fighter, Late (Metal Floats)

	Silver	Polished Aluminium	Yellow	White	Black	Red	Dark Blue	Wood / Brown	Rust
Humbrol	11	56	154 / 188	34	33	19	104	118	113
Hataka	003	078	107	043 / 049	100	132	277	012	131
AMMO Acrylic	0195	8204	0048	0050	0046	0049	0123	0202	0040
AK Real Colors	—	020	007	004	001	006	208	225	—
Mr.Color / Mr.Hobby	C008 / H008	—	C329 / H329	C062 / H011	C033 / H012	— / H013	C14 / H54	C310 / H310	— / H344,H453
Tamiya	X11	LP70	X8 / XF3	XF2	XF1	XF7	XF17	—	—



1) **Fairey Flycatcher**, s/n unknown, 403th Flight, HMS Berwick (65), 5th Cruiser Sqn, China Station, 1933



2) **Fairey Flycatcher**, s/n N9673, Marine Aeroplane Experimental Establishment, Felixstowe, 1932



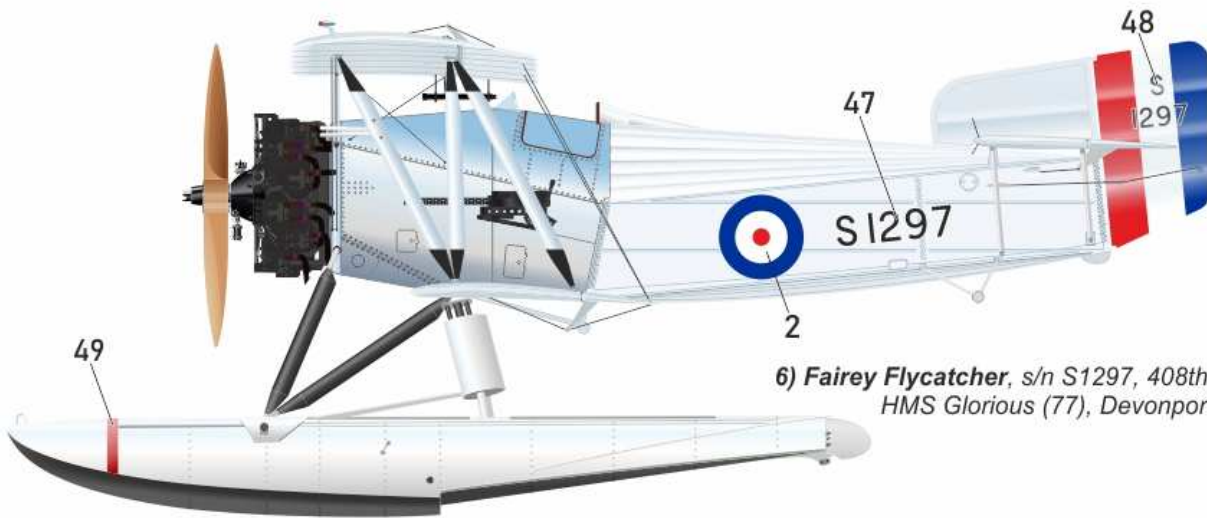
3) **Fairey Flycatcher**, s/n unknown, 403th Flight, HMS Cumberland (57), 5th Cruiser Sqn, China Station, 1930



4) **Fairey Flycatcher**, s/n 1413,
403th Flight, HMS Cumberland (57), 5th Cruiser Sqn,
China Station, 1930

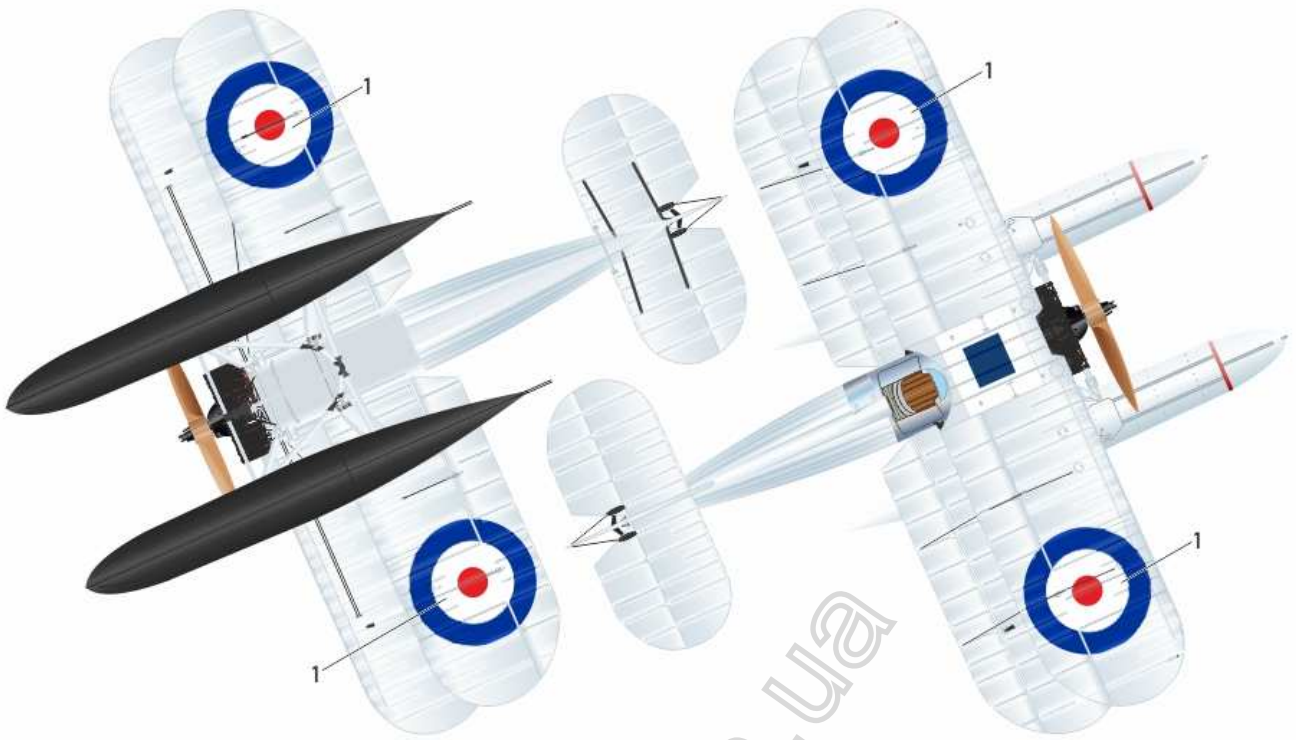


5) **Fairey Flycatcher**, s/n unknown, 403th Flight,
HMS Berwick (65), 5th Cruiser Sqn
China Station, 1930



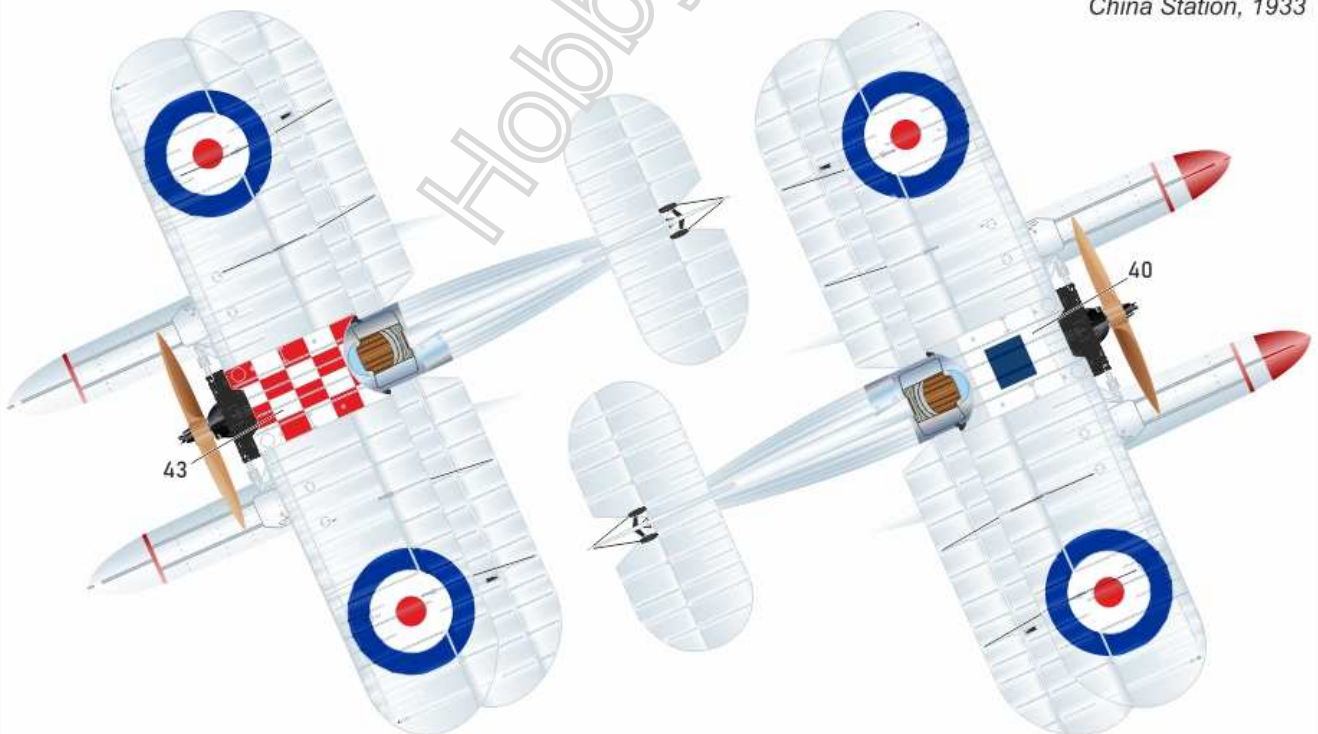
6) **Fairey Flycatcher**, s/n S1297, 408th Flight
HMS Glorious (77), Devonport 1935

TYPICAL SCHEME OF PLACING ROUNDELS



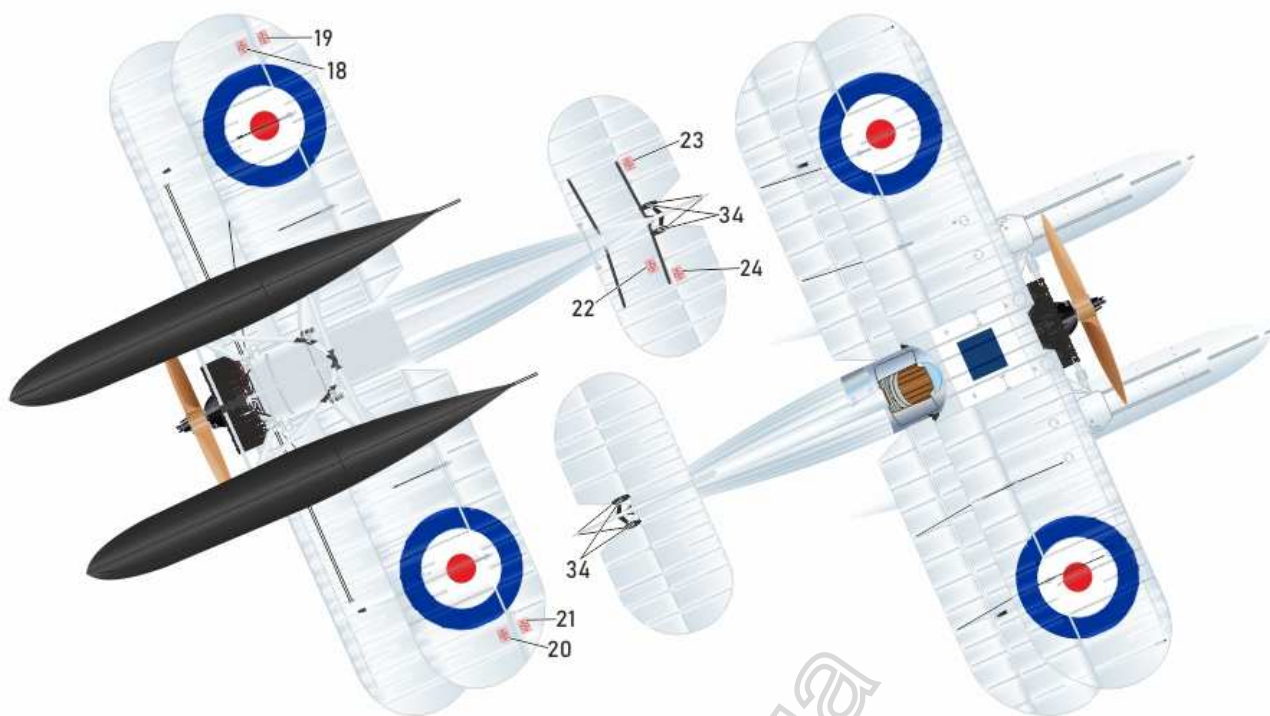
SPECIFIC MARKINGS

1) *Fairey Flycatcher*, s/n unknown, 403th Flight,
HMS Berwick (65), 5th Cruiser Sqn,
China Station, 1933



3) *Fairey Flycatcher*, s/n unknown, 403th Flight,
HMS Cumberland (57), 5th Cruiser Sqn,
China Station, 1930

STENCILING SCHEME



Upper Wing. Bottom View

