

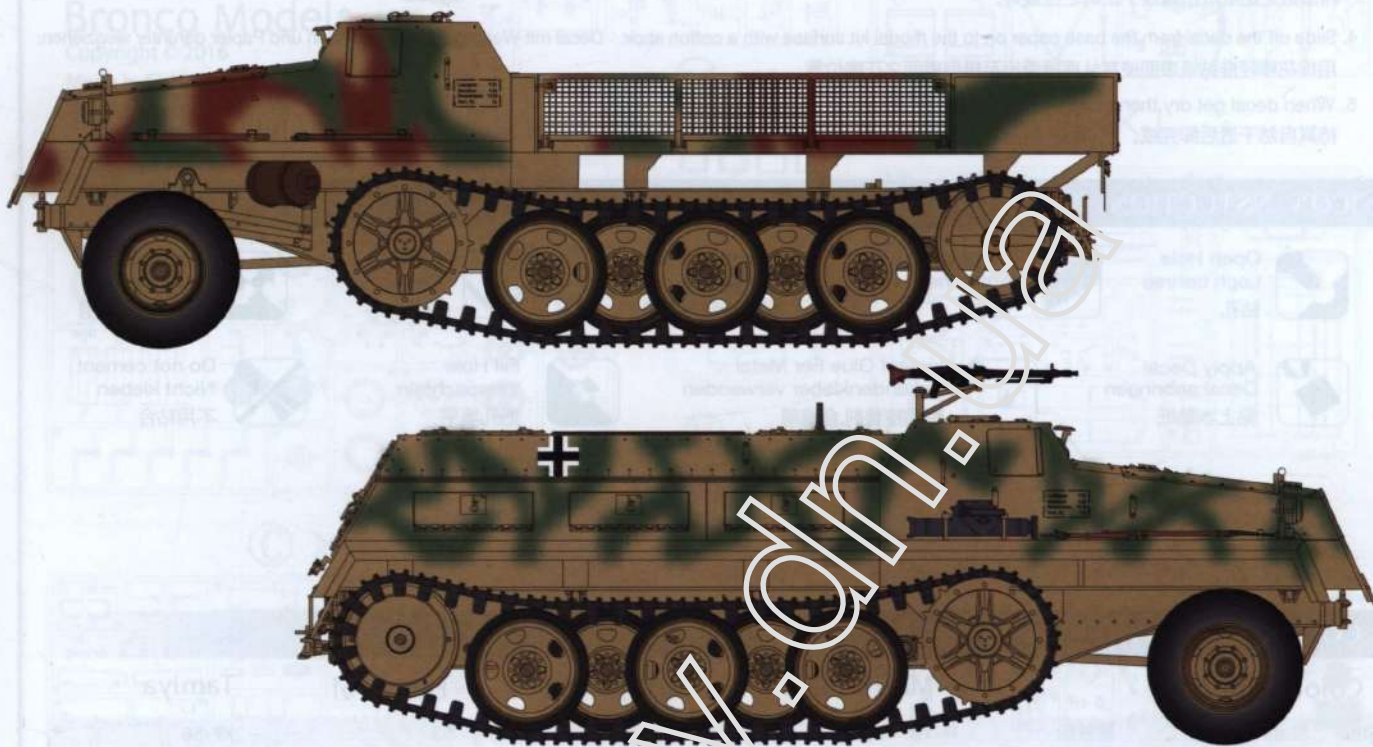


Kit No. CB-35214

## German sWS Supply Ammo Vehicle & Armored Cargo Version (2 in 1)

德国 sWS 供弹车及装甲货运车 (二合一)

1/35 SCALE



Because of Russo-German War come to a deadlock, The German army need a general vehicle in low cost to compensate for the huge consumption. Büssing -NAG company in the development of sWS (schwerer Wehrmacht the schlepper) general vehicle by the military selected and put into operation immediately. The vehicle has a light wooden body, 5 ton capacity. The structure of the half-track is very muddy environment adapt to the East. As cargo and tract vehicles in great acclaimed. In 1944, the Company re-designed with a body, and have derived many combat vehicles. Such as: equipped with Flak38 type 20mm or Flak43 type 37mm flak anti-aircraft vehicle, or the most powerful type 42 150mm Rocket Launcher, even equipped with Pak43 type 88mm anti tank gun destroyer. This Kit for sWS armor ammunition and armored cargo. The former loading 150mm rocket artillery action follow, and the latter is the general freight track, and at any time with a variety of weapons into a combat vehicle. 🇬🇧



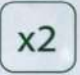






1942 年，由于苏德战争陷入僵局，德军迫切需要一种低成本的通用车辆以弥补巨大的消耗。布兴 -NAG 公司于次年研发的 sWS (schwerer Wehrmacht Schlepper) 通用车族被军方选中并立即投产。该车为轻型木制车体，载重为 5 吨，半履带的行走结构极为适应东线泥泞的环境，作为货运和牵引车辆在前线广受好评。1944 年，公司重新设计出装甲型车体，并相继衍生出众多战斗型车辆。如：搭载 Flak38 型 20mm 或 Flak43 型 37mm 高射炮的防空车以及该系列火力最为强悍的 42 型 150mm 火箭炮车，甚至计划搭载 Pak43 型 88mm 反坦克炮的歼击车。本套件为 sWS 装甲供弹车型和装甲货运车型。前者装载 150mm 火箭弹跟随炮兵部队行动。后者为通用型货运车，亦可随时加装各种武器变身成为战斗车辆。 中文



**CORRECT METHOD FOR APPLYING DECALS : HINWEISE ZUM ANBRINGEN DER DECALS :**  
**正确使用水贴纸的方法:**

1. Clean model parts surface with wet cloth. Entsprechende Stellen am Modell feucht reinigen.  
将需要贴水贴之部位表面擦干净。
2. Cut out the decal parts and dip them in cold water for 15 ~20 seconds. Decal ausschneiden und für 15-20 Sek. ins Wasser legen.  
将所需之贴纸剪下泡在清水里约15至20秒。
3. Place it on correct position of the model kit. Decal an der richtigen Stelle auflegen.  
将湿透之贴纸取出置放于正确之位置旁。
4. Slide off the decal from the base paper on to the model kit surface with a cotton stick. Decal mit Wattestäbchen festhalten und Papier darunter wegziehen.  
用棉花棒轻推贴纸表面使其从底纸滑出至模型表面之正确位置。
5. When decal get dry then complete. Decal mit Papiertuch andrücken und trocknen.  
待其自然干透后即完成。

**ICON INSTRUCTION: 图标说明:**

 <b>Open Hole</b> Loch bohren 钻孔	 <b>Remove</b> Abtrennen 切除	 <b>2 Sets needed</b> Vorgang wiederholen 同样的制作二组	 <b>Band</b> Biegen 曲折	 <b>Optional</b> Auswahl 可以选择采用
 <b>Apply Decal</b> Decal anbringen 贴水贴纸	 <b>Instant Glue For Metal</b> Sekundenkleber verwenden 瞬间接着剂,金属用	 <b>Fill Hole</b> Verspachteln 把孔填平	 <b>Do not cement</b> Nicht kleben 不用粘合	

**COLOR SUGGESTION: FARBTABELLE: 涂装指引:**

Color 涂料表	MR. Hobby	Hobby Color	Humbrol	Tamiya
Steel Stahl 黑铁色	H-18	C-28	53	XF-56
Flat black Mattschwarz 消光黑	H-12	C-13	33	XF-1
Silver Silber 银色	H-8	C-3	11	X-11
Flat white Matt Weiss 消光白	H-11	C-62	34	XF-2
Dark yellow Dunkelgelb 暗黄色	H-79	C-39	66	XF-60
Dark green Dunkelgrün 深绿色	H-30	C-15	30	XF-61
Tyre black Reifenschwarz 轮胎黑	H-77	C-137	85	XF-84
Semi-gloss black 半光黑色 Schwarz Seidenmatt	/	C-92	/	X-18
Wood brown Holzbraun 木棕色	H-37	C-43	/	XF-10
Red brown Rotbraun 红棕色	H-47	C-41	160	XF-64
Gun metal Metall-grau 枪金属	/	/	/	X-10
Rust Rust 铁锈色	H-33	/	113	XF-9
Field Grey Feldgrau 原野灰	H-48	C-52	111	XF-65
German Gray Deutsch Grau 德国灰	H-32	C-40	92	XF-63

**READ BEFORE ASSEMBLING: VOR ZUSAMMENBAU LESEN: 组装必读:**

- Carefully Study instruction before assembling. Anleitung studieren und verständlich machen. 组装前请阅读清楚制作指引。
- Keep plastic model glue and tools away from children. Kleber, Farben, Werkzeuge und Plastiktüten von Kindern fernhalten. 胶水、油漆及工具勿让小孩接触。
- Do not use cement or paint near open flame or sparks. Kleber/Farbe nicht in Nähe von offenen Flammen. 胶水及油漆勿接触火种。
- Do not work in closed room. Nur in ausreichend belüfteten Räumen arbeiten. 勿在密封地方制作模型。





**BRONCO**

**Bronco Models**

Copyright © 2016

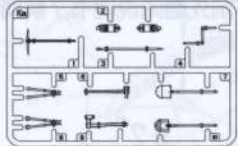
Made in China

中国制造

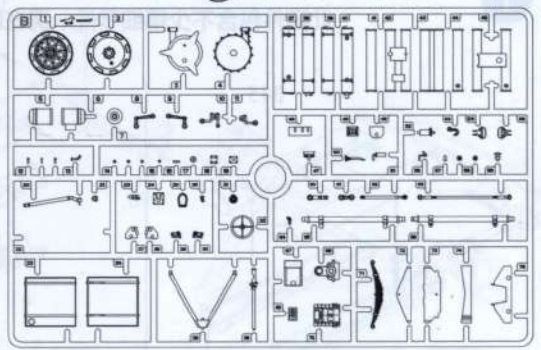
No use parts  
不要部件



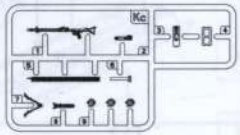
(Ka) × 1



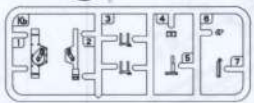
(B) × 1



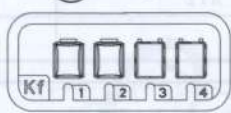
(Kc) × 1



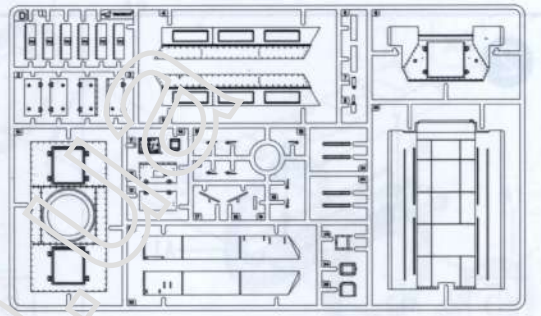
(Kb) × 1



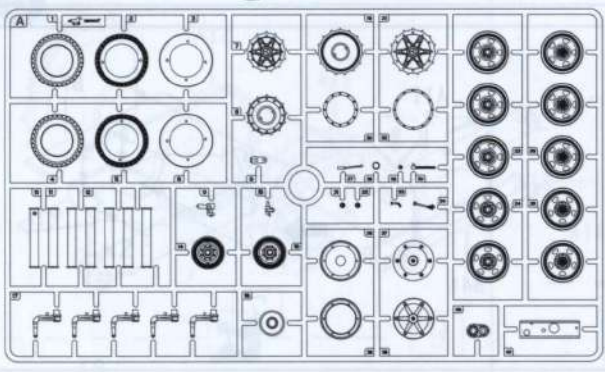
(Kf) × 1



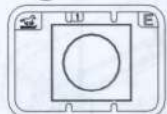
(D) × 1



(A) × 2



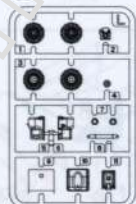
(E) × 1



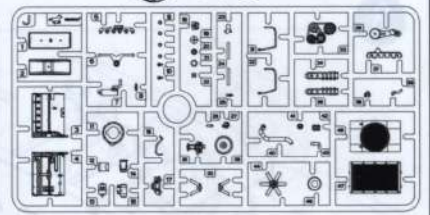
(M) × 1



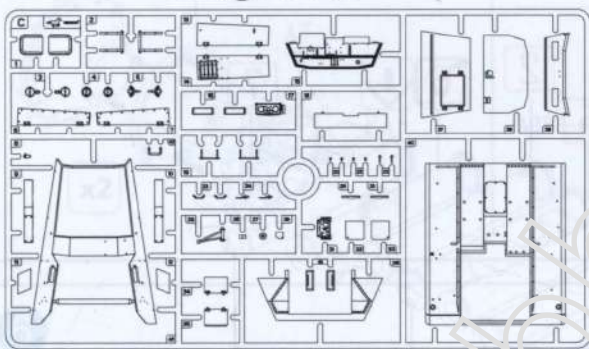
(L) × 1



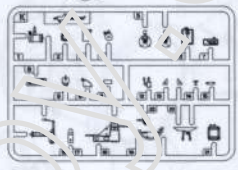
(J) × 1



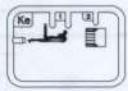
(C) × 1



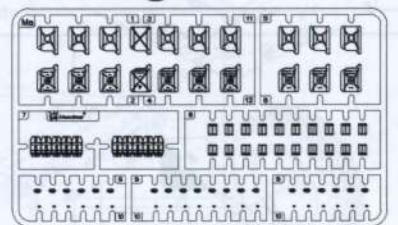
(K) × 1



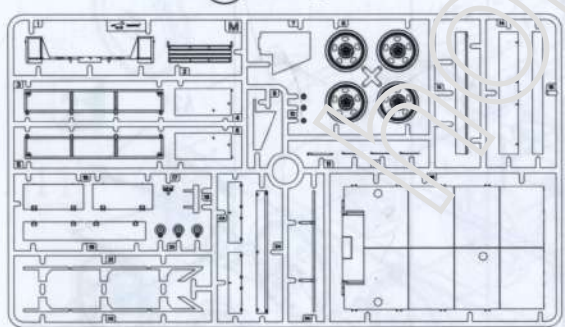
(Ke) × 1



(Ma) × 1



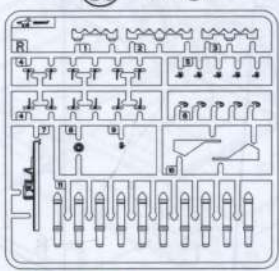
(M) × 1



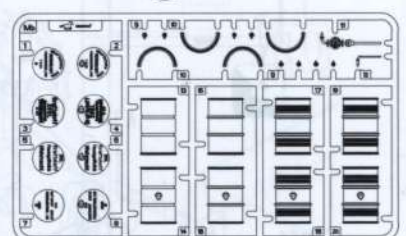
(G) × 1



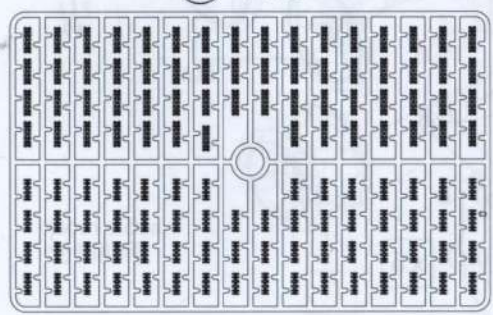
(R) × 3



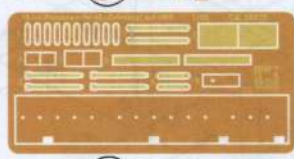
(Mb) × 1



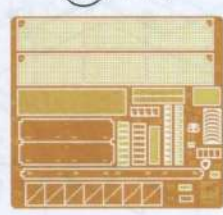
(N) × 2



(P) × 1



(PA) × 1



DECAL × 1



(PB) × 1



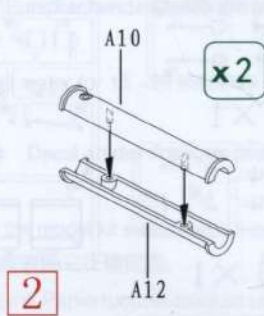
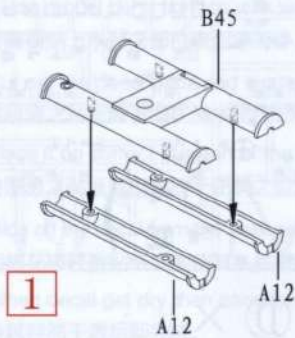
CB35214

1/35 CB 35070  
15 cm Panzerwreger 42 (Zehning) auf sWB  
1 ● 2 ● 3 ● 4 ● 5 ● 6  
7 THOR THOR 9  
9 WH 10 11  
12 3 4 5 6 7 8 9 10 12  
12 3 4 5 6 7 8 9 0  
12 3 4 5 6 7 8 9 0  
12 3 4 5 6 7 8 9 0

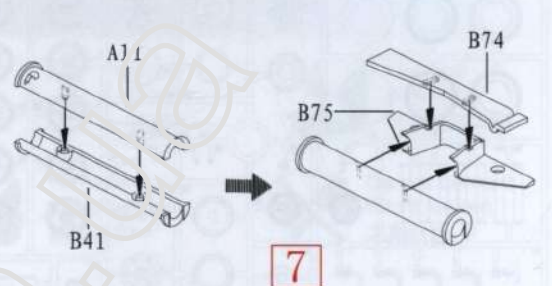
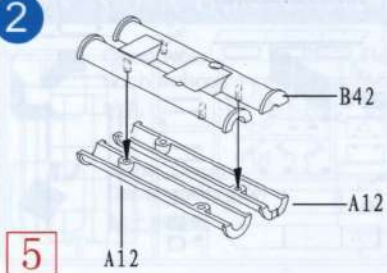


1

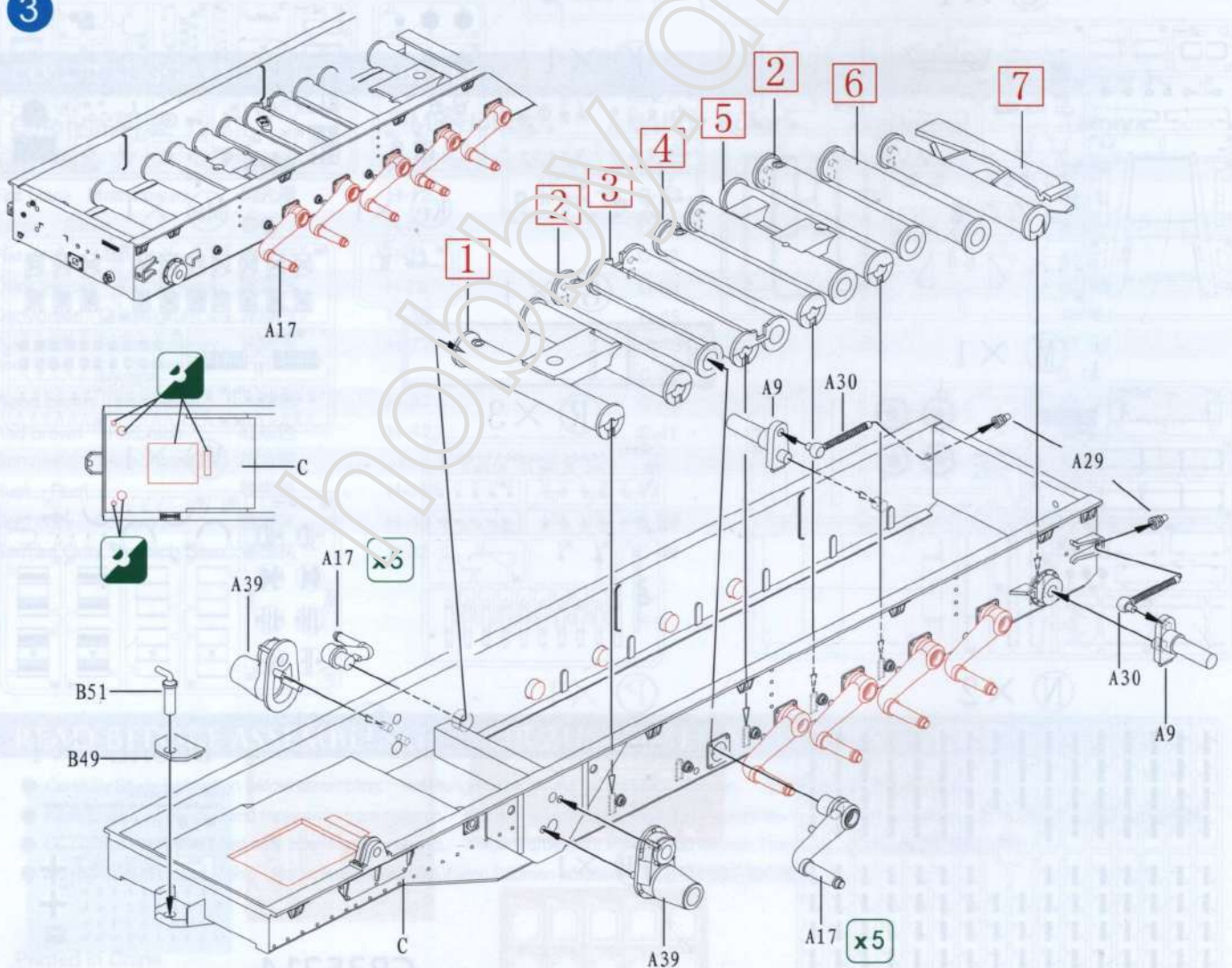
Caution: This kit contains a lot of small accurate parts, please carefully to read before to assembly.  
此套件包含不少精细零件，请在制作前先翻阅说明书了解清楚。



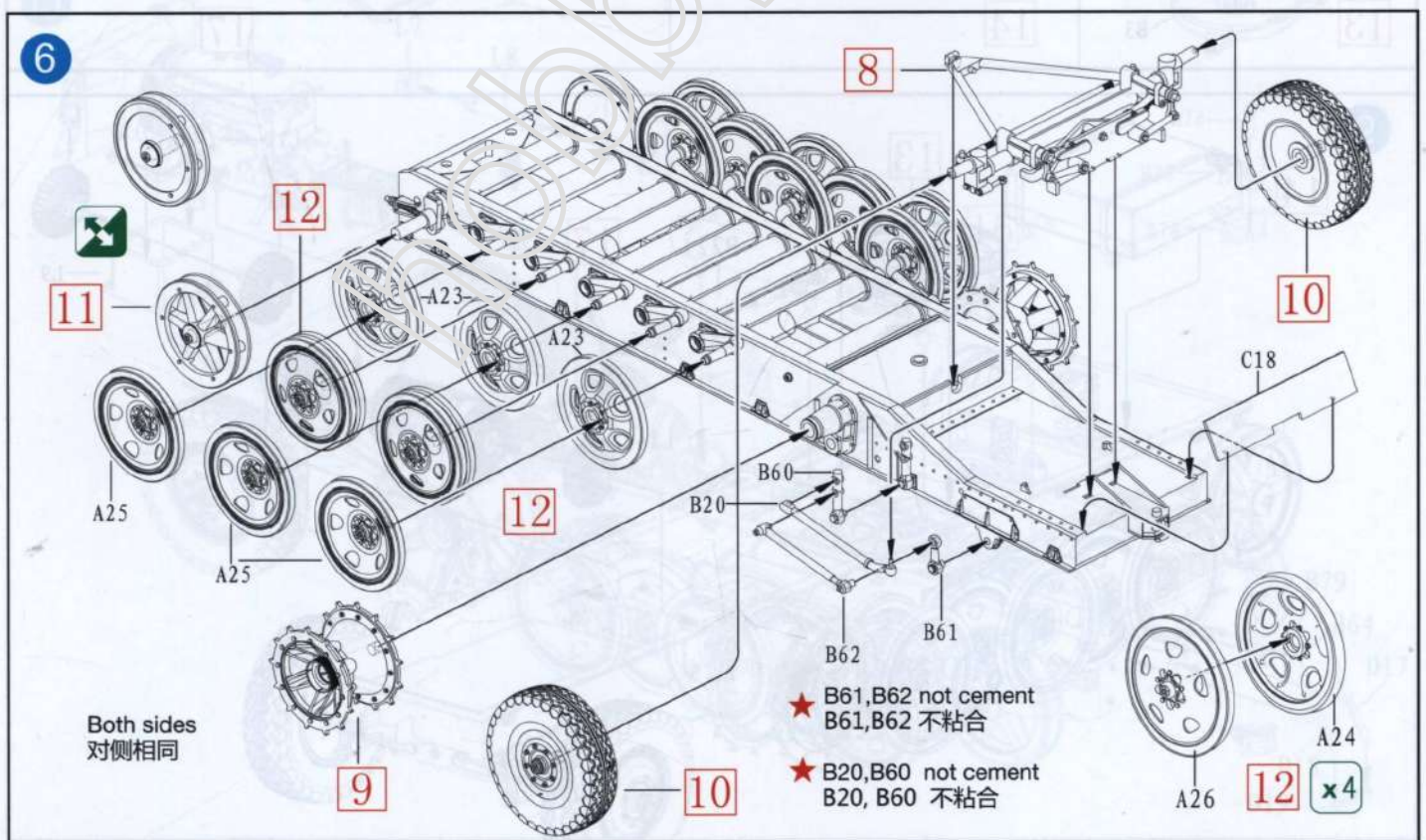
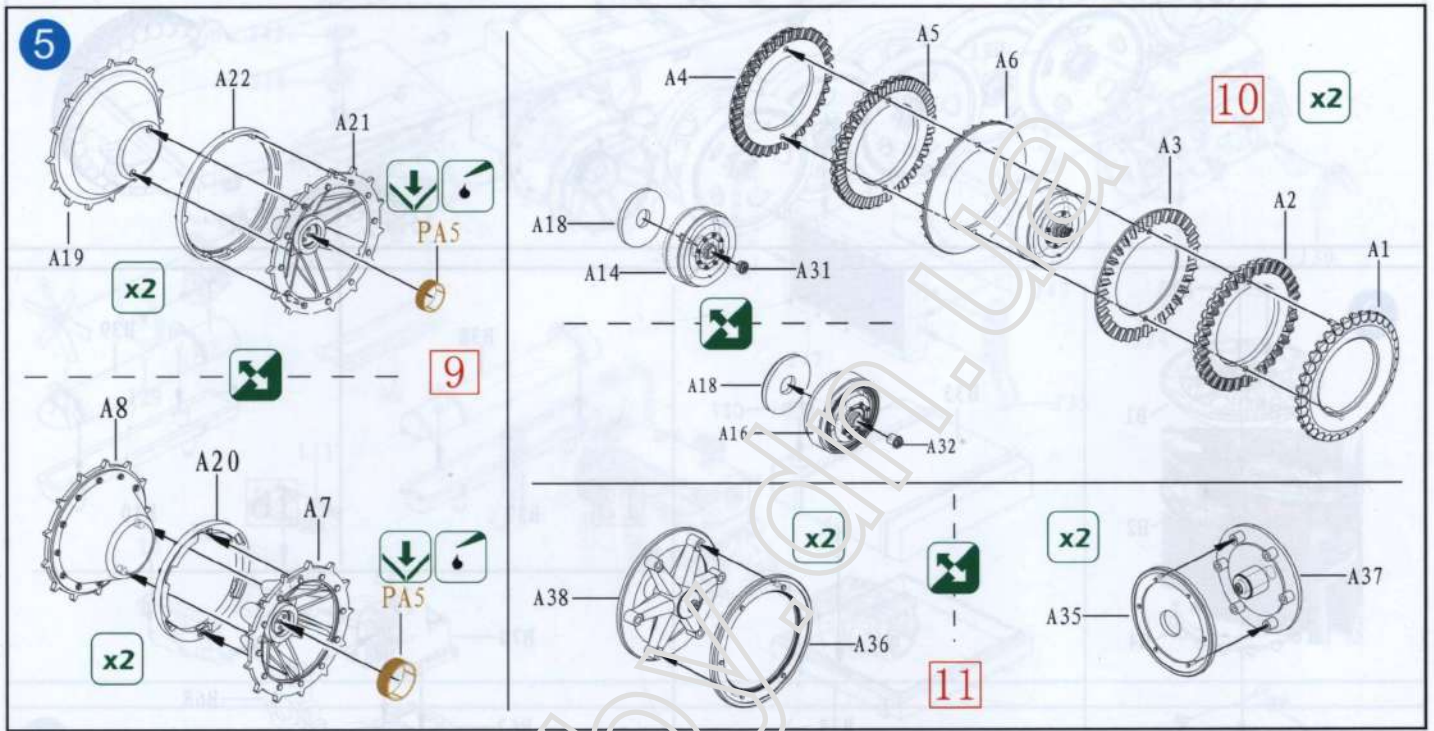
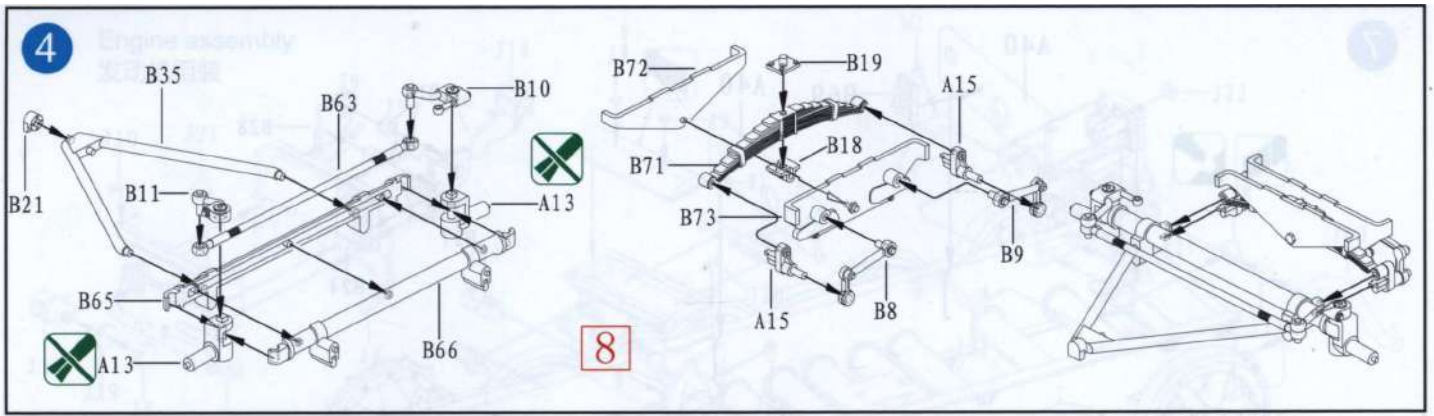
2



3



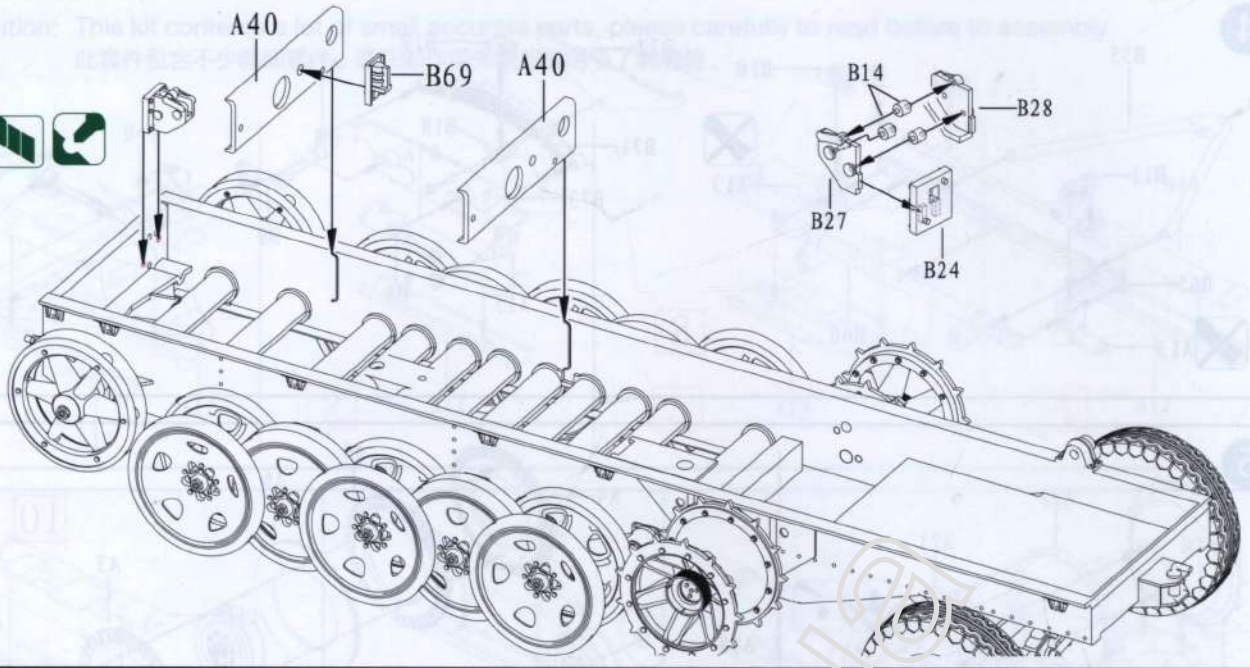




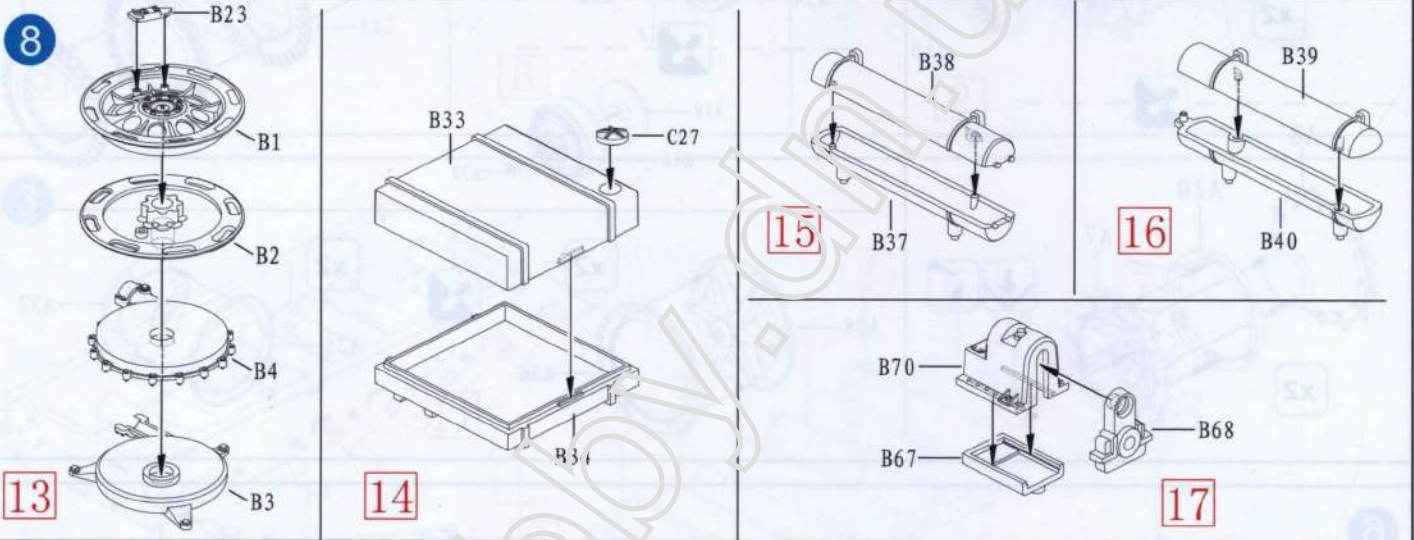


7

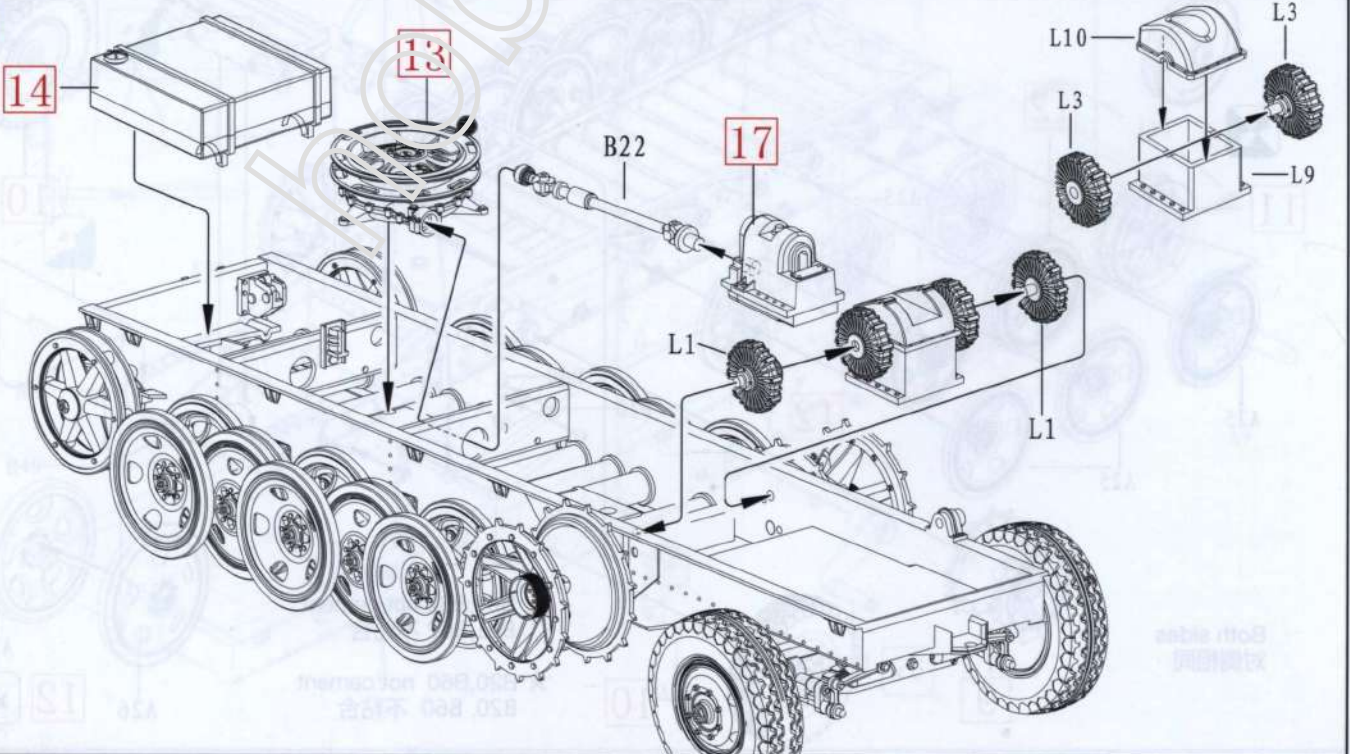
Caution: This kit contains small parts. Please carefully follow the instructions to assembly.



8

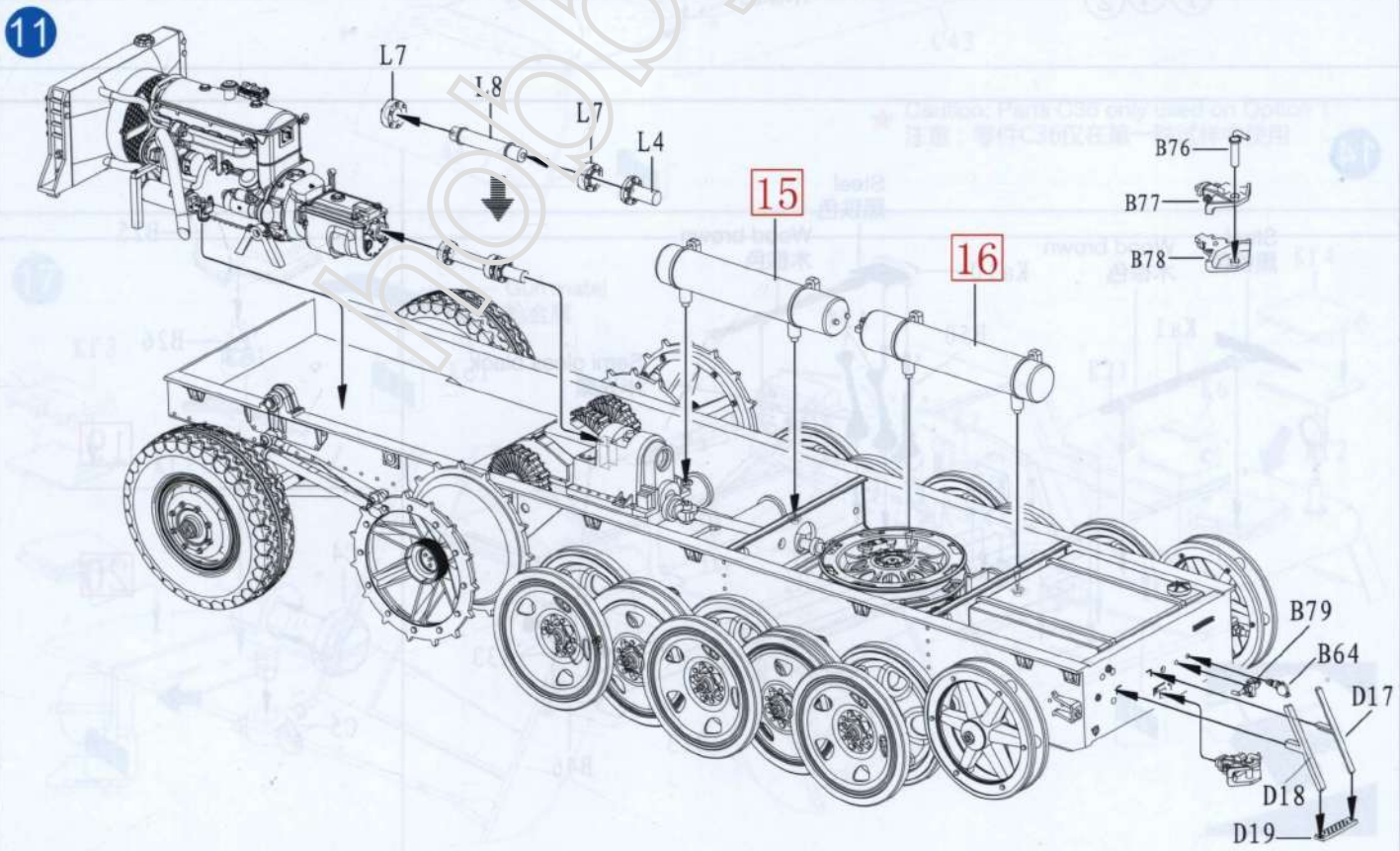
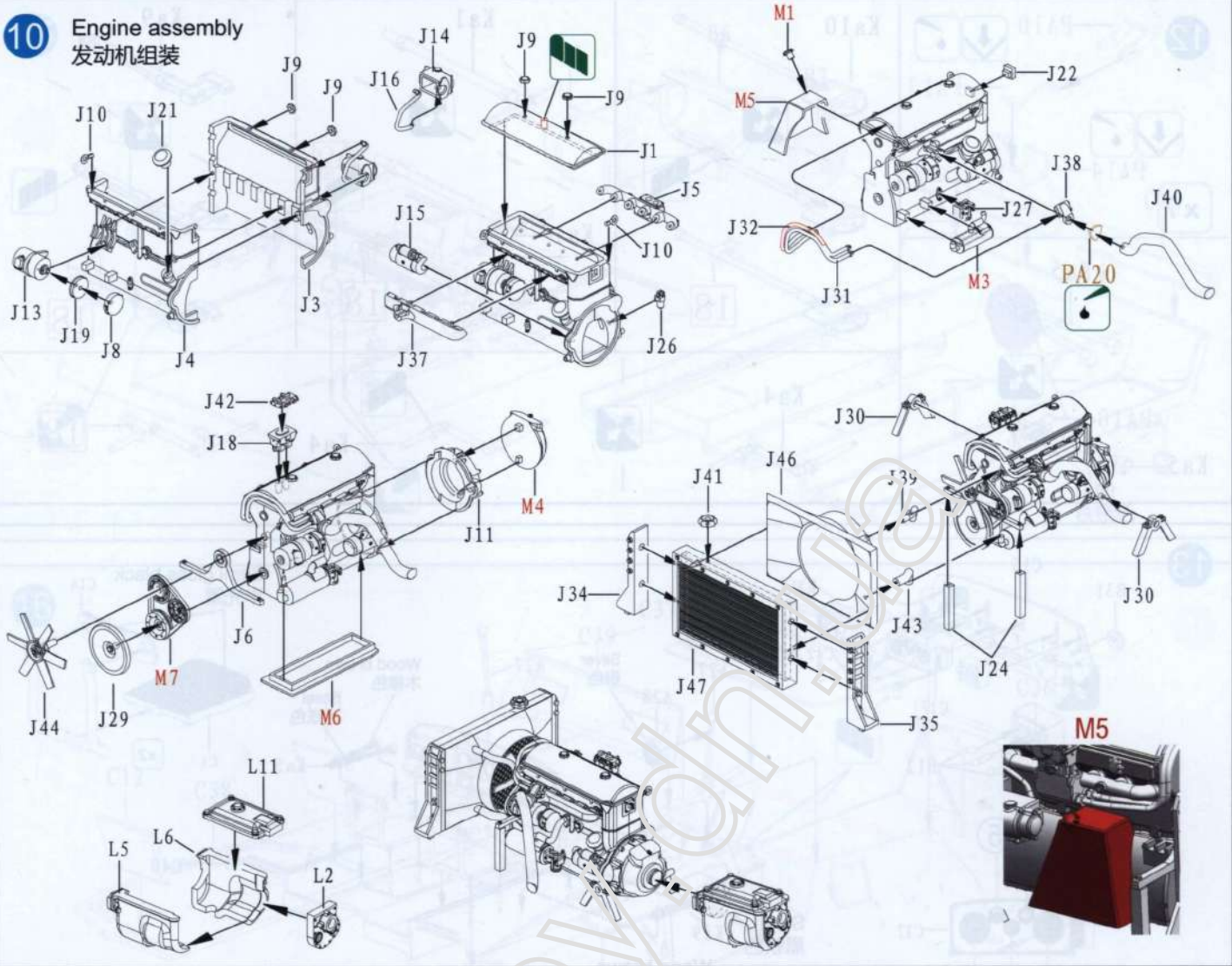


9

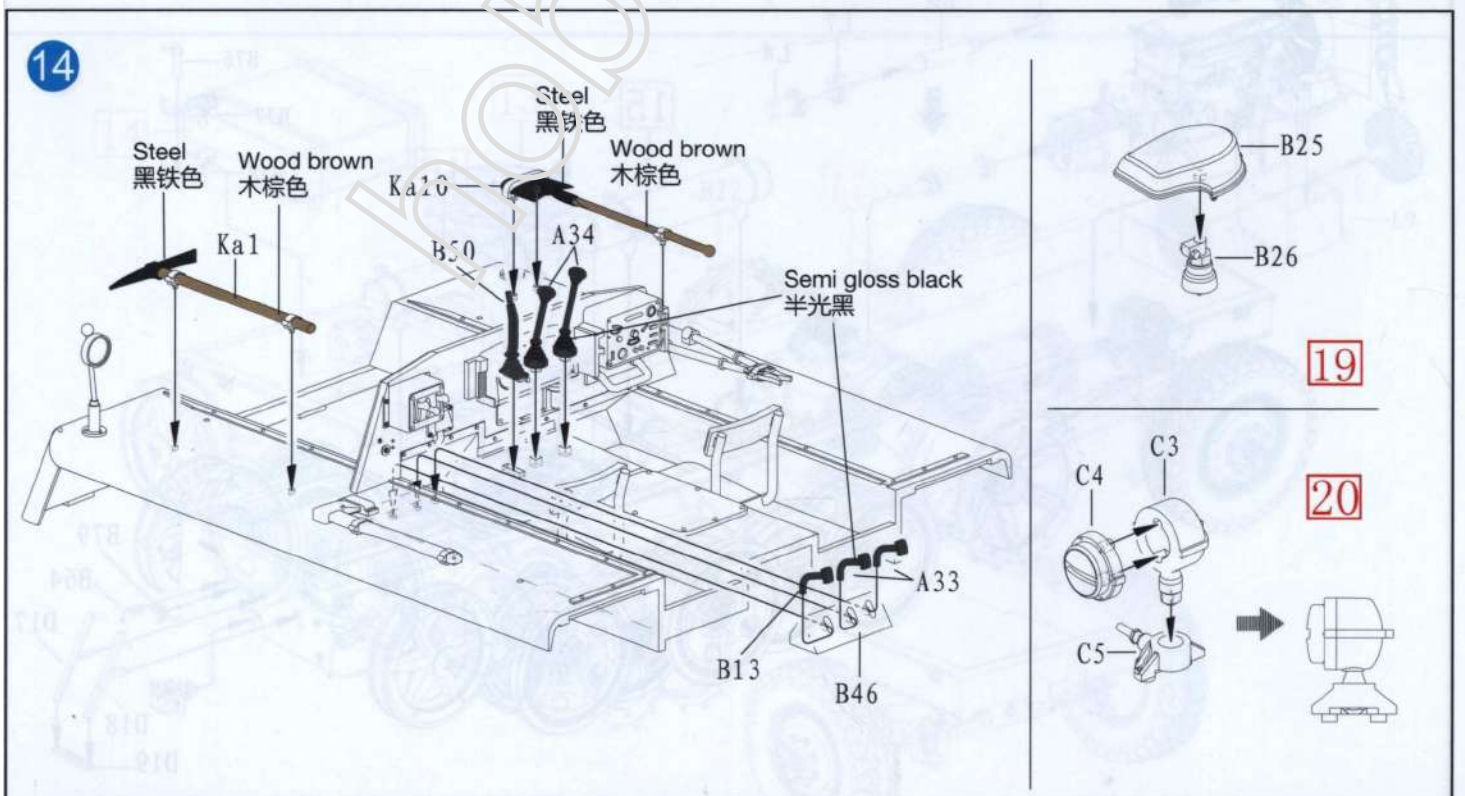
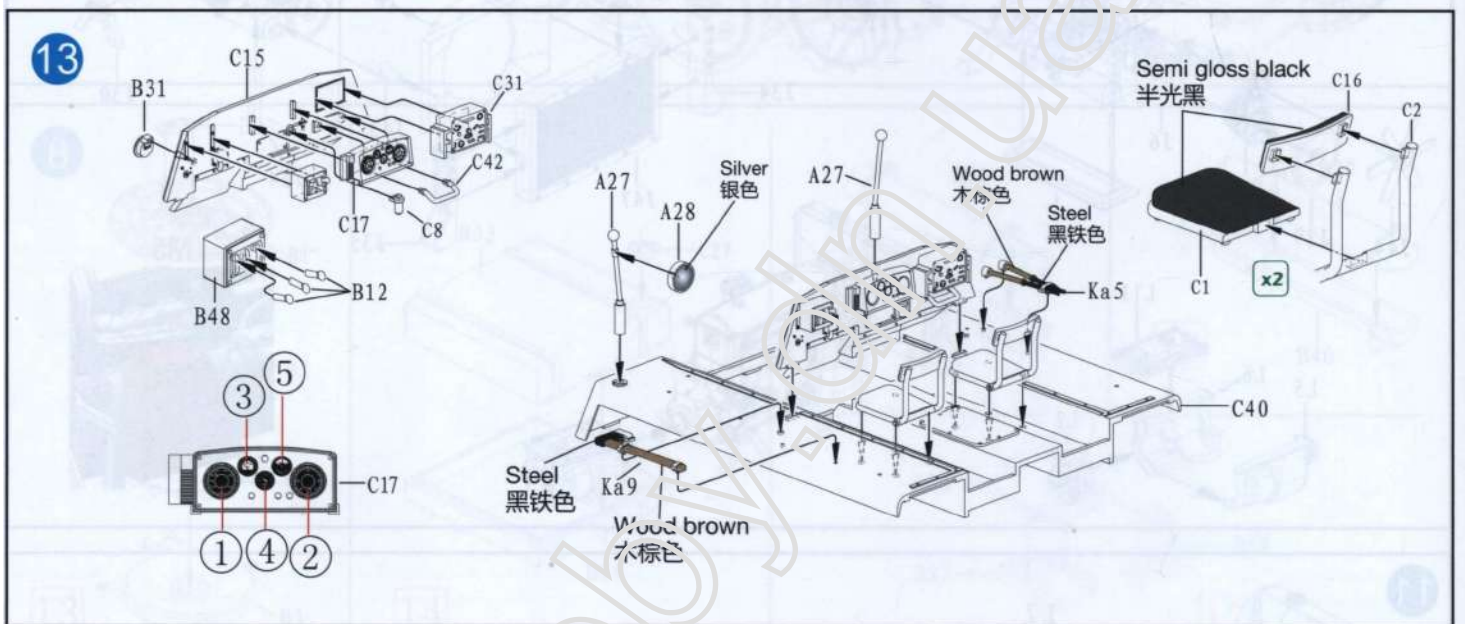
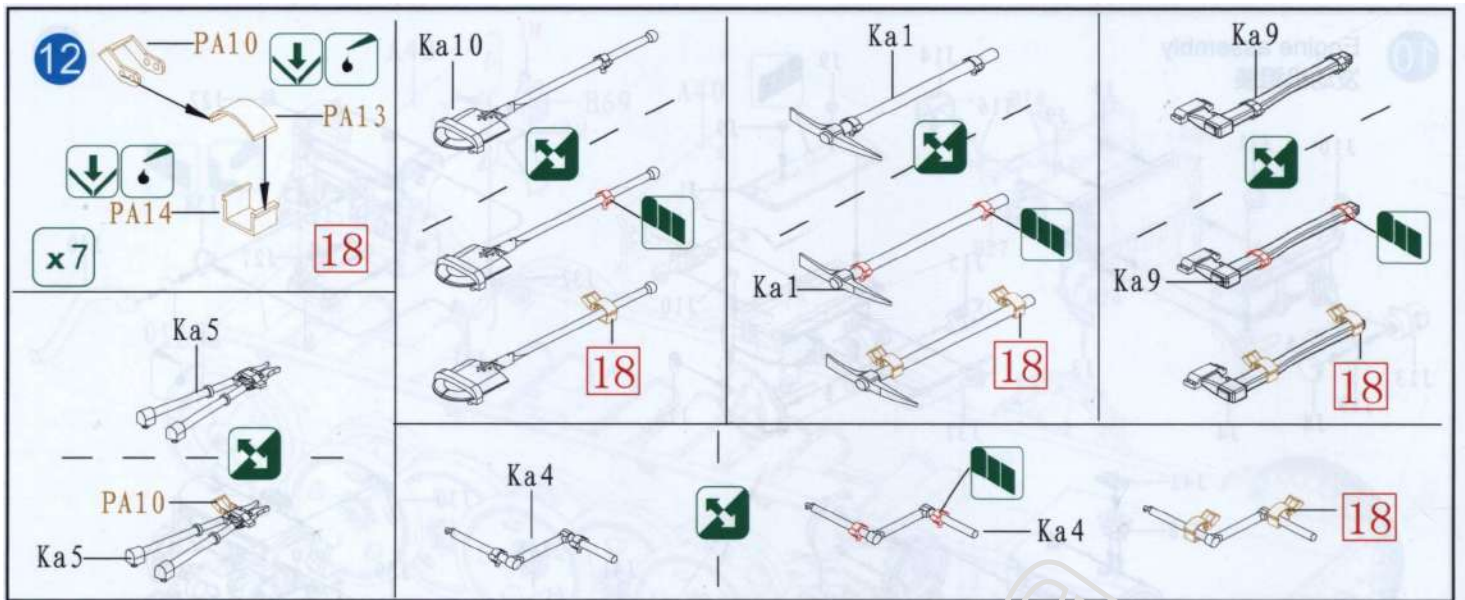




**10** Engine assembly  
发动机组装

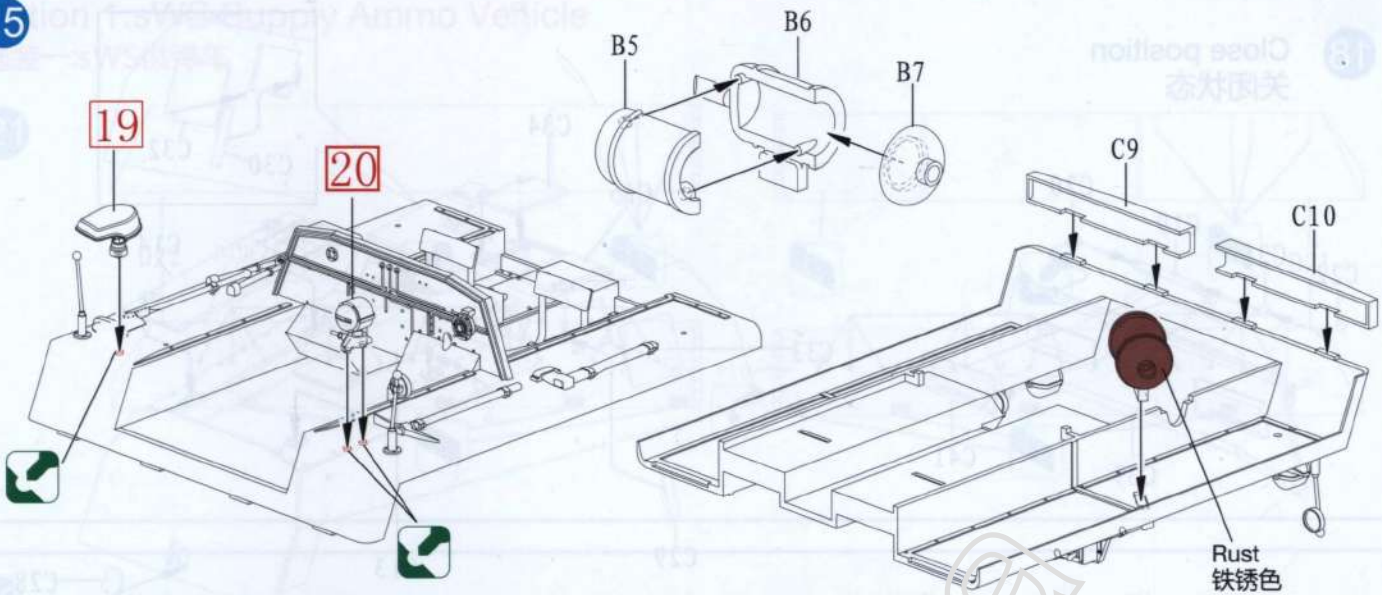




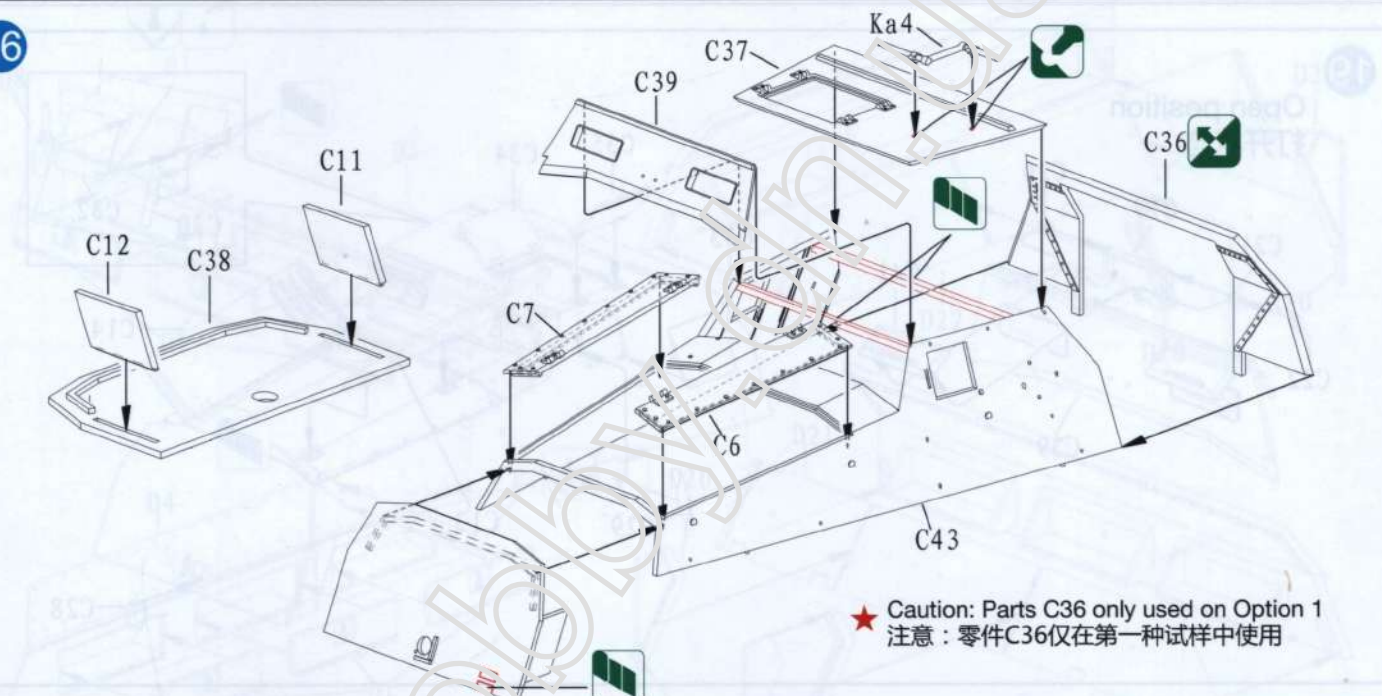




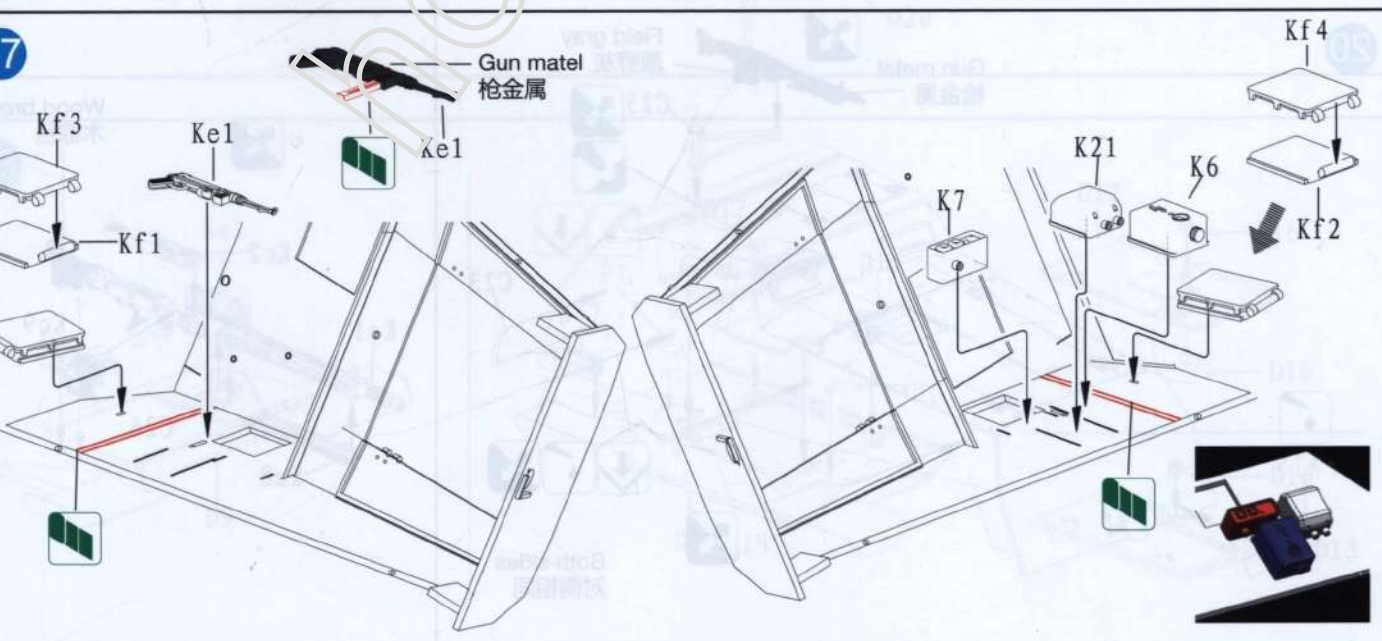
15



16

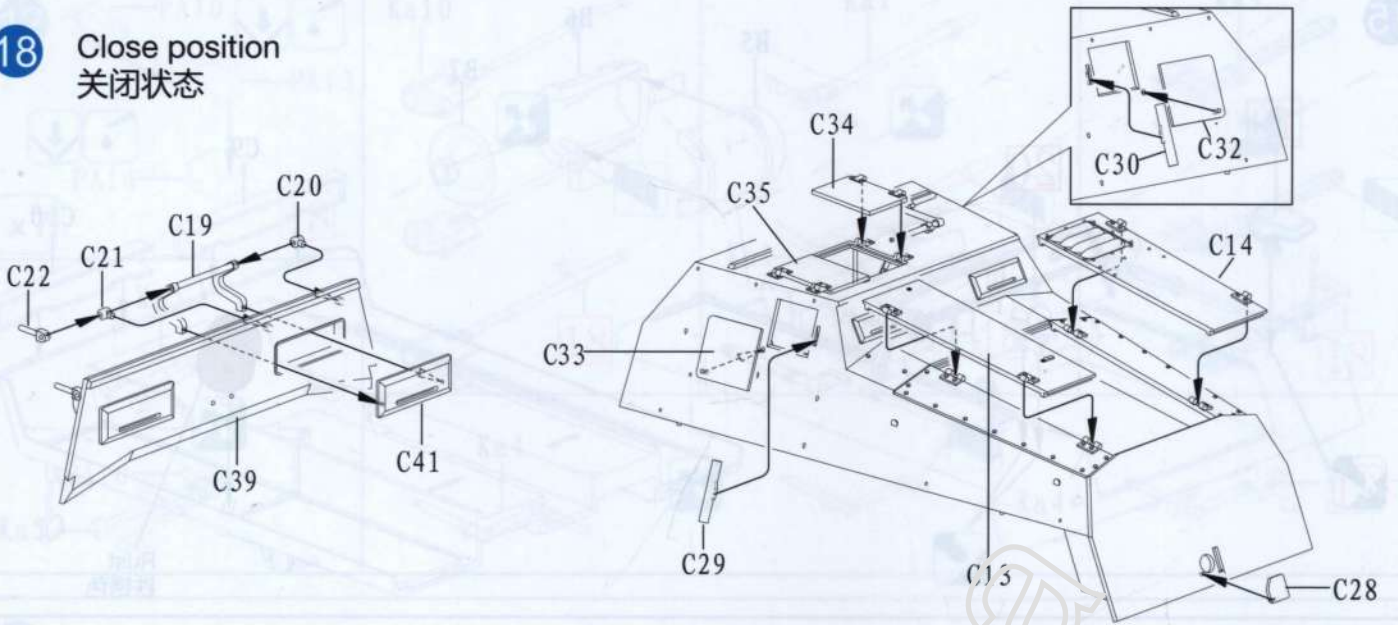


17

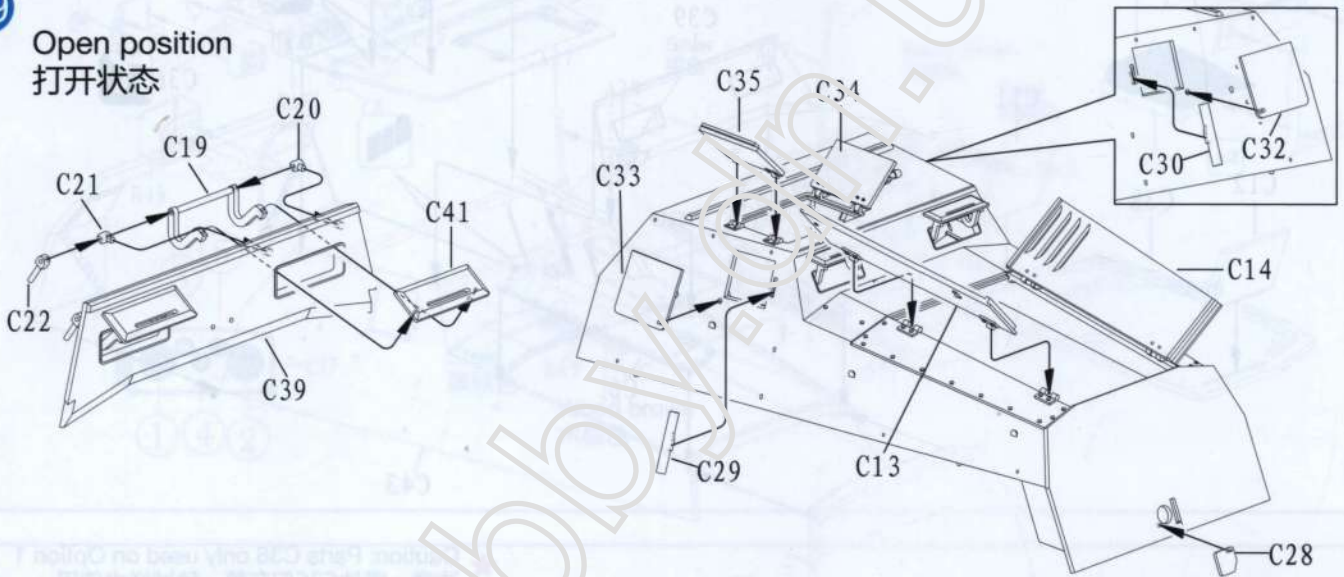




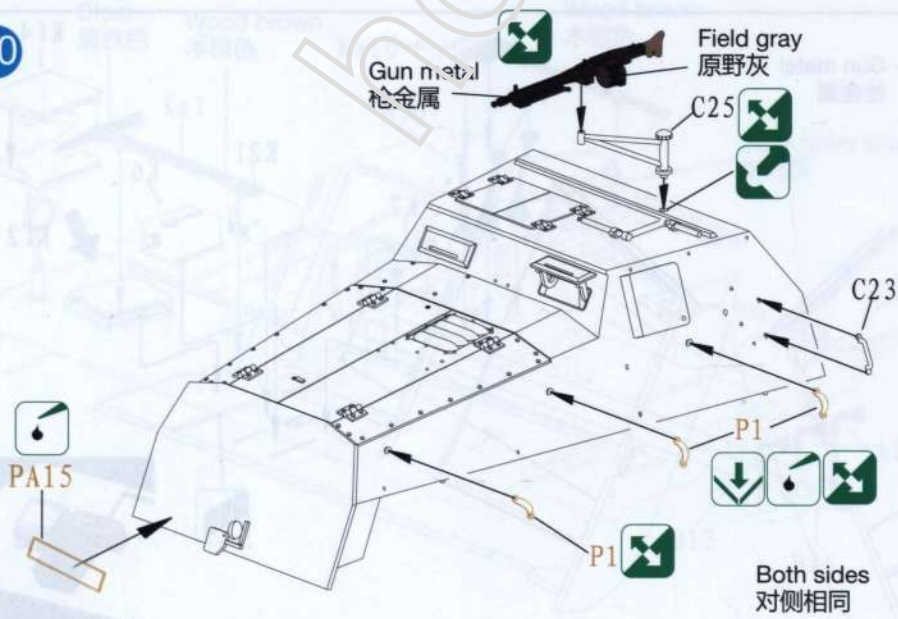
**18** Close position  
关闭状态



**19** Open position  
打开状态



**20**

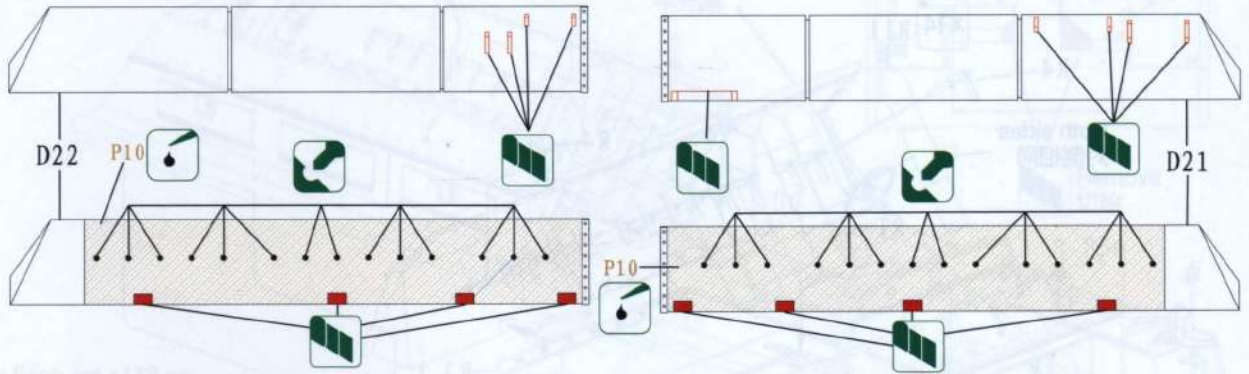




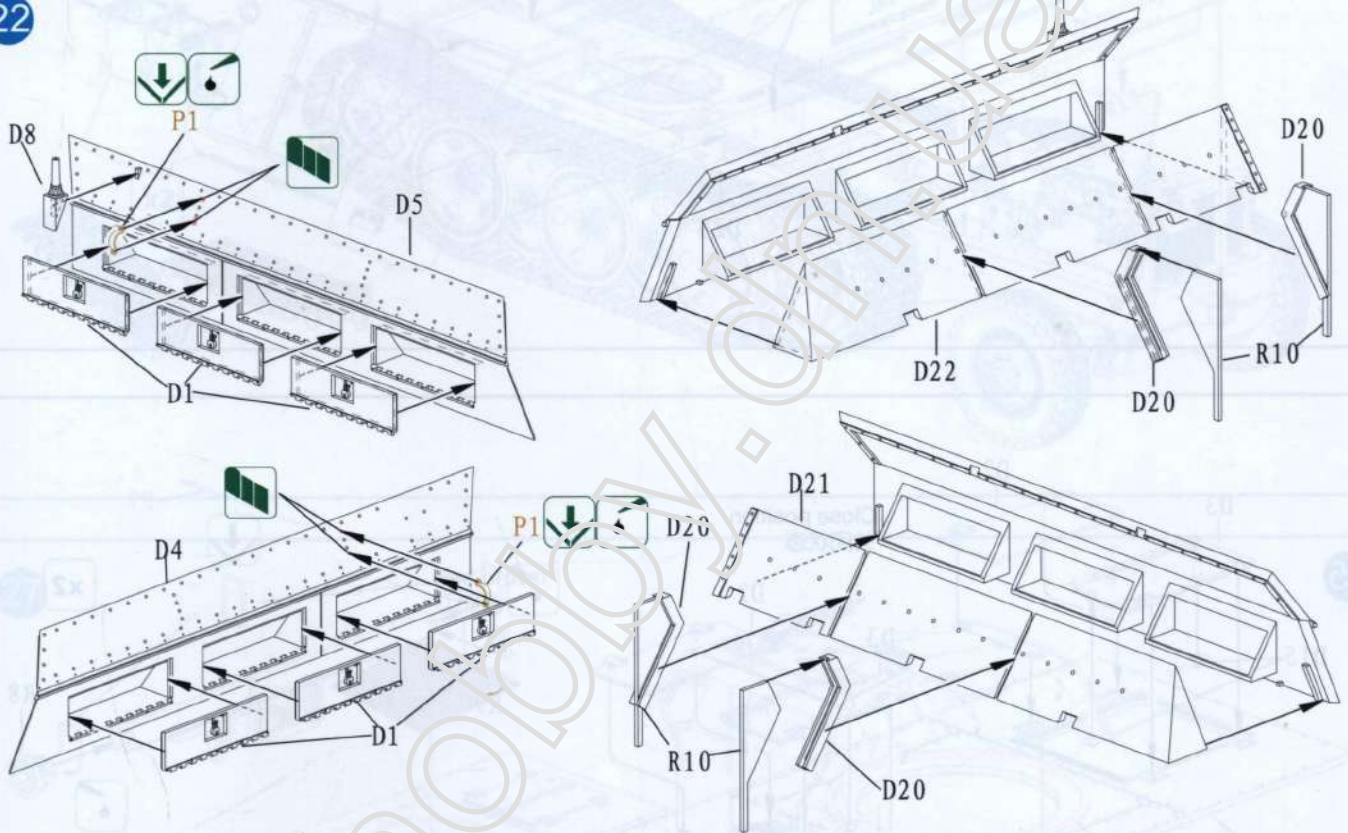
# Option 1:sWS Supply Ammo Vehicle

选装一:sWS供弹车

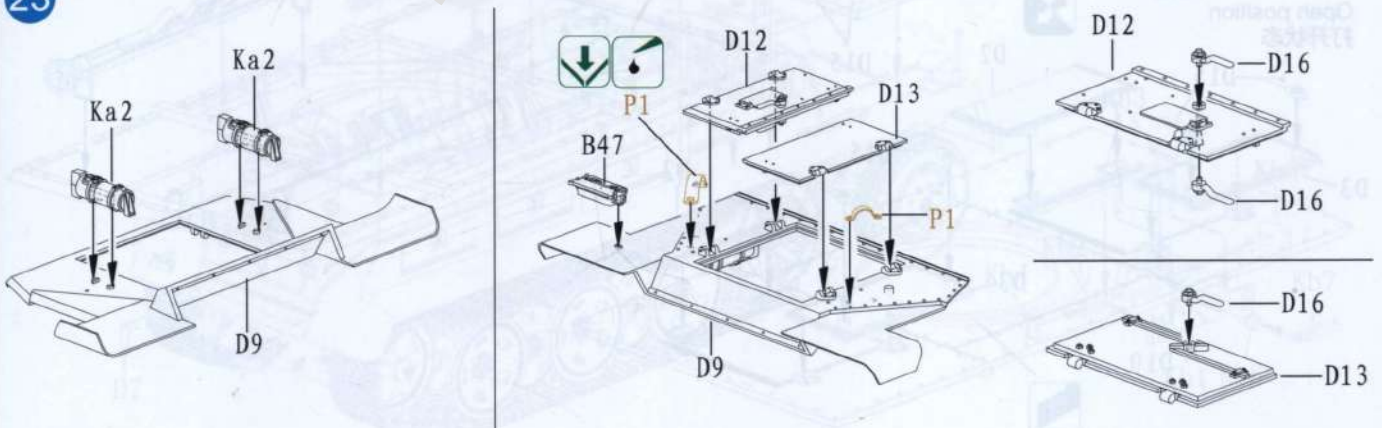
21



22



23

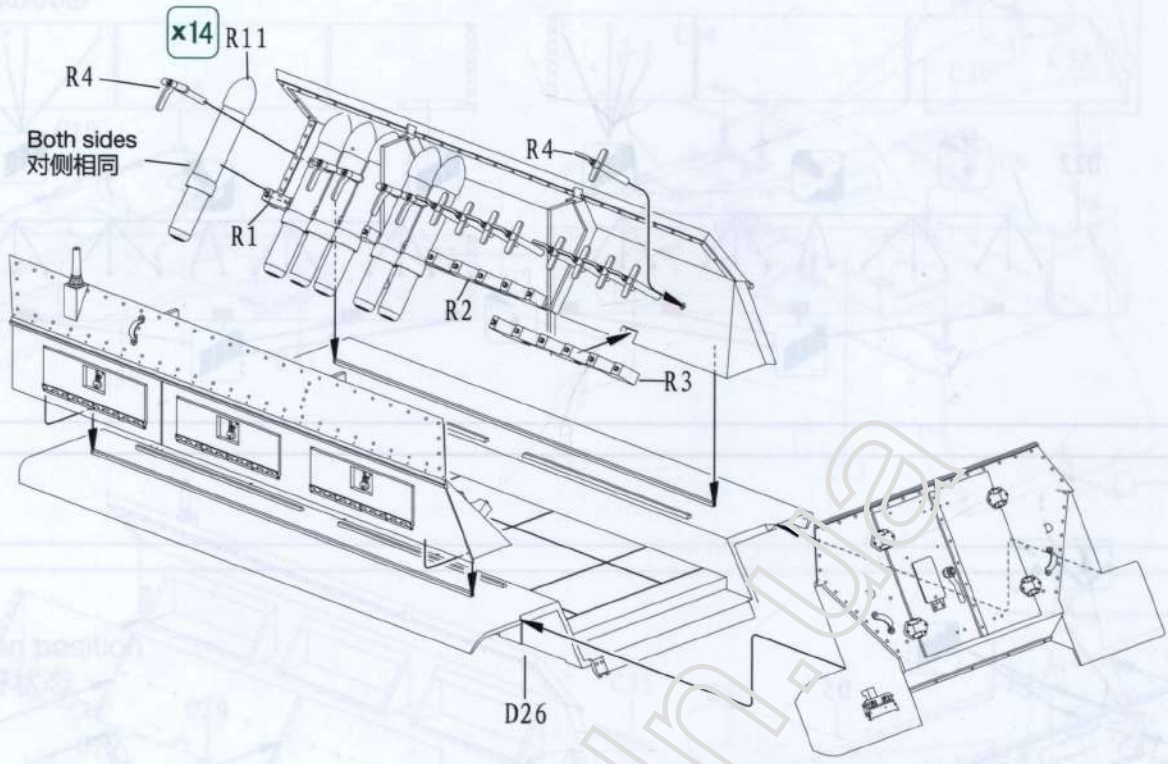




24

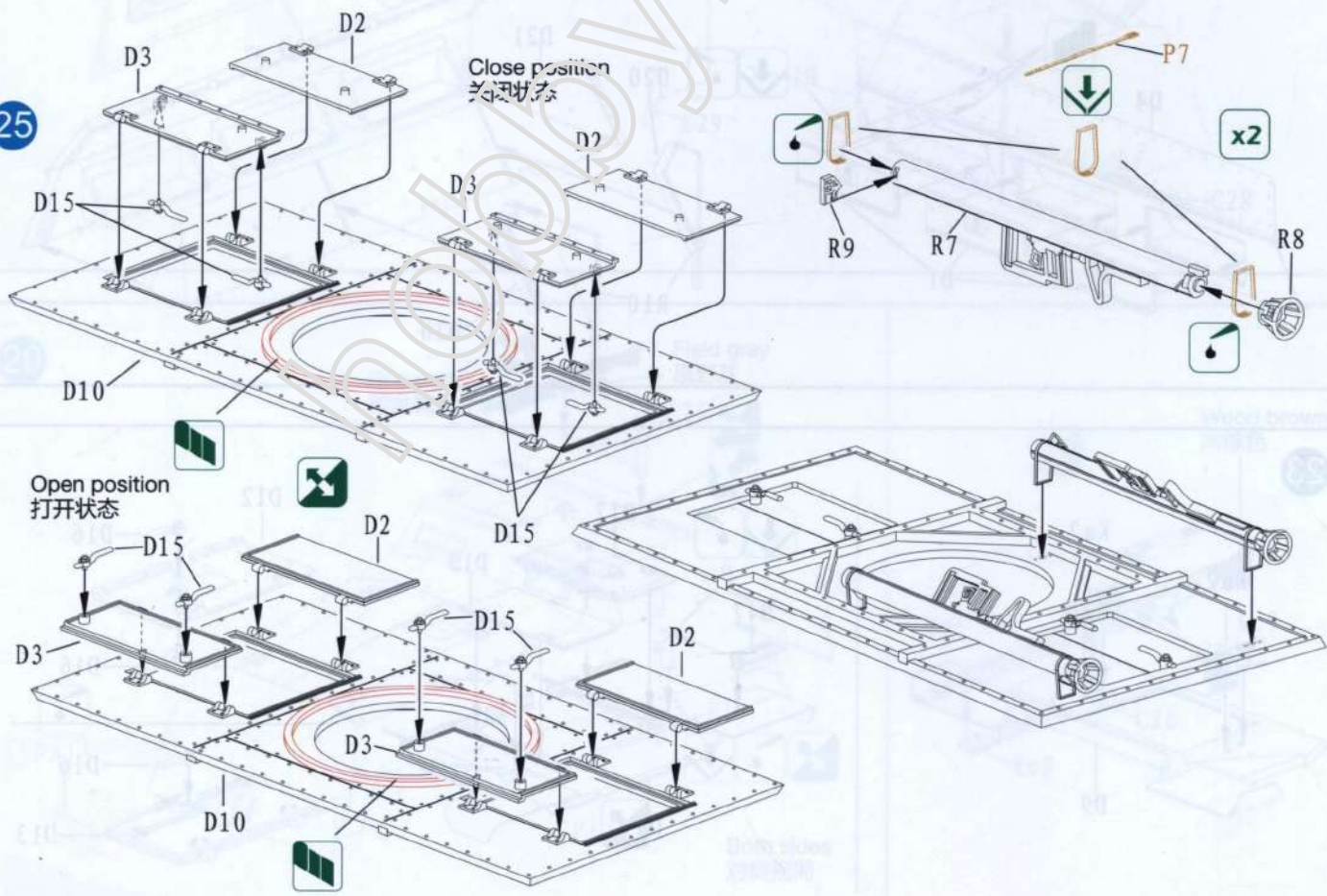
Close position  
关闭状态

Option 4: AWS Supply Ammo Vehicle  
选装型之武器架



25

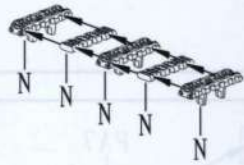
Close position  
关闭状态



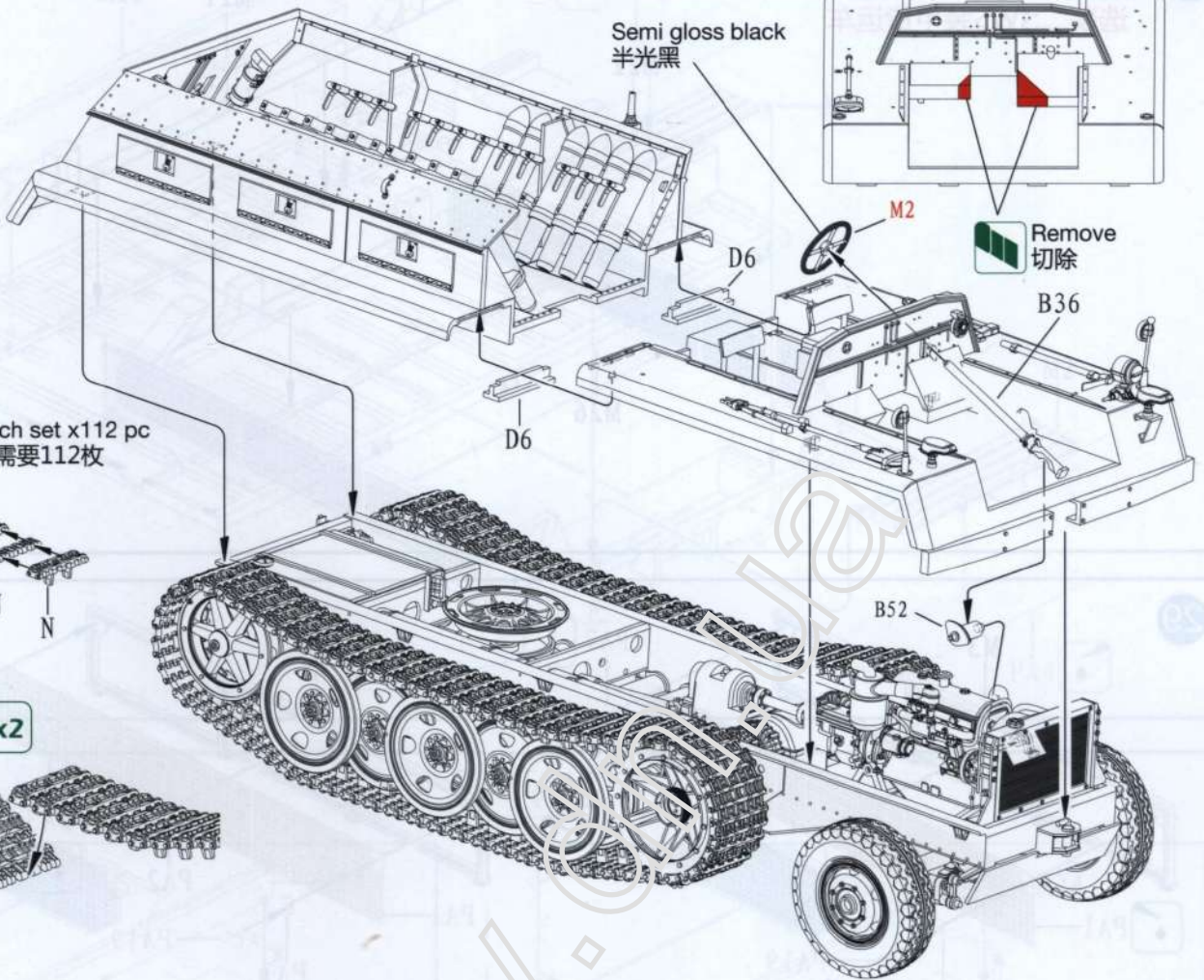


26

★ Caution: Each set x112 pc  
注意：每组需要112枚



x2



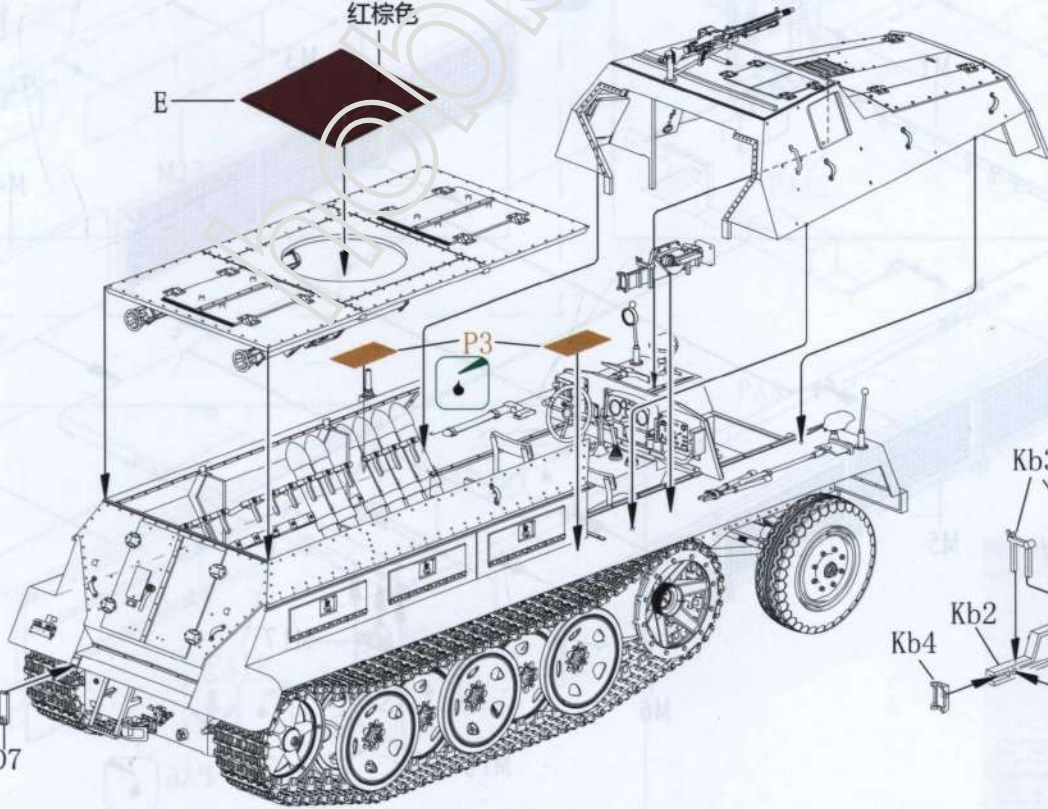
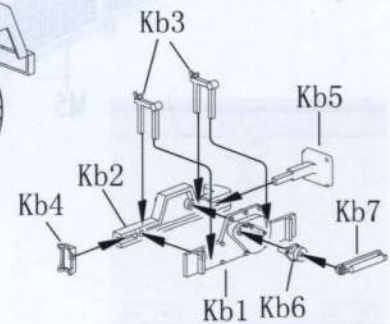
27

Red brown 红棕色

E

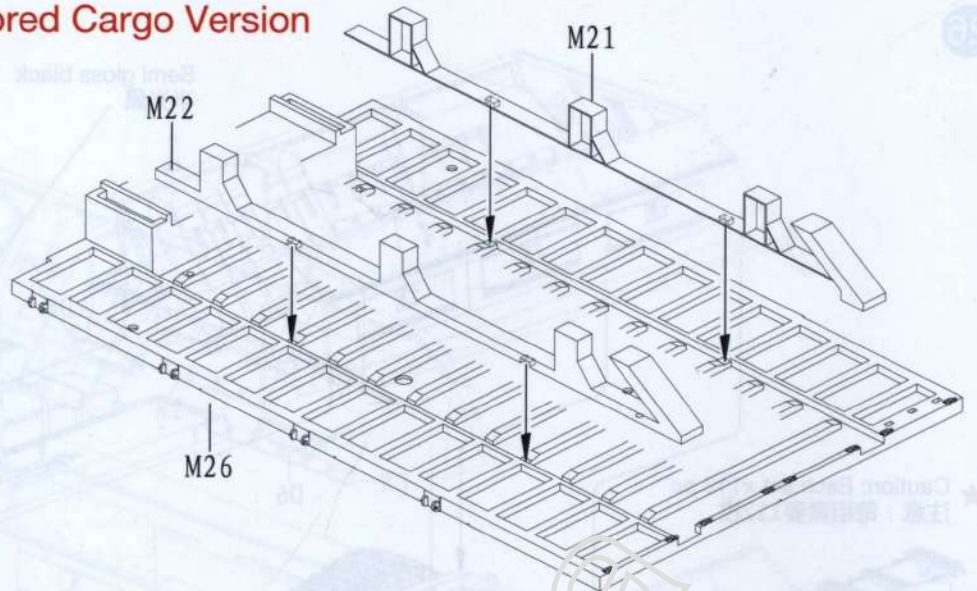
P3

D7

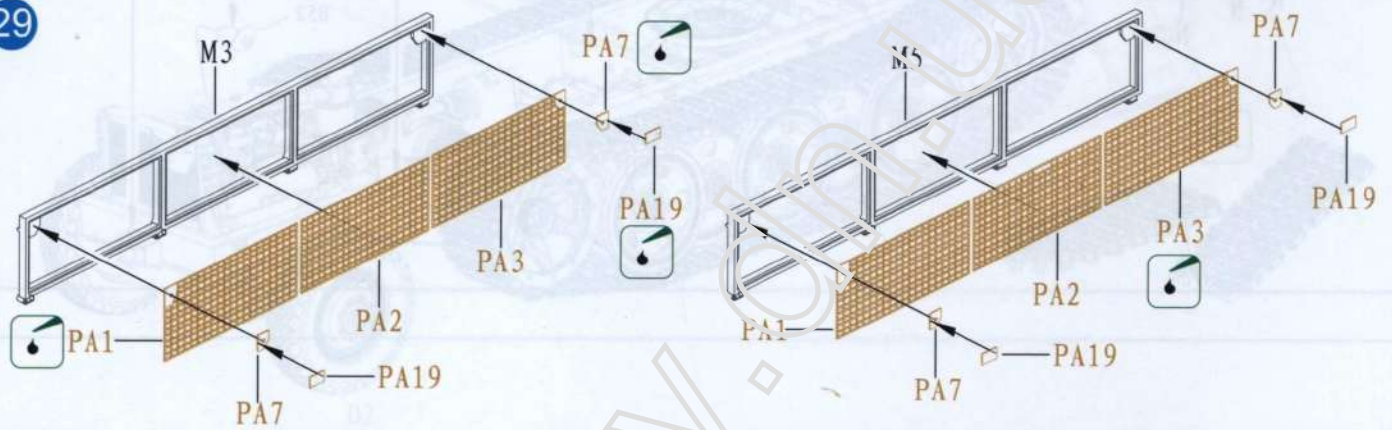




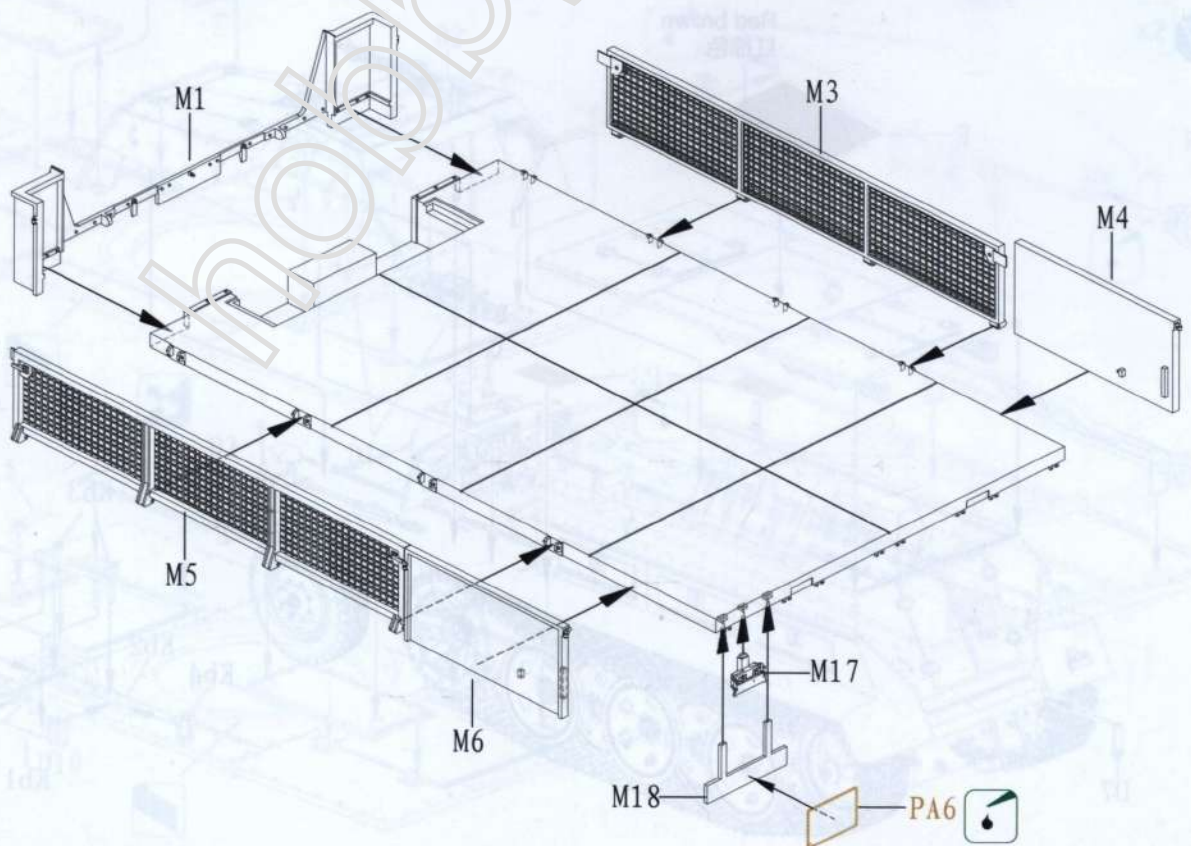
28 Option 2: sWS Armored Cargo Version  
选装二:sWS装甲货运车



29

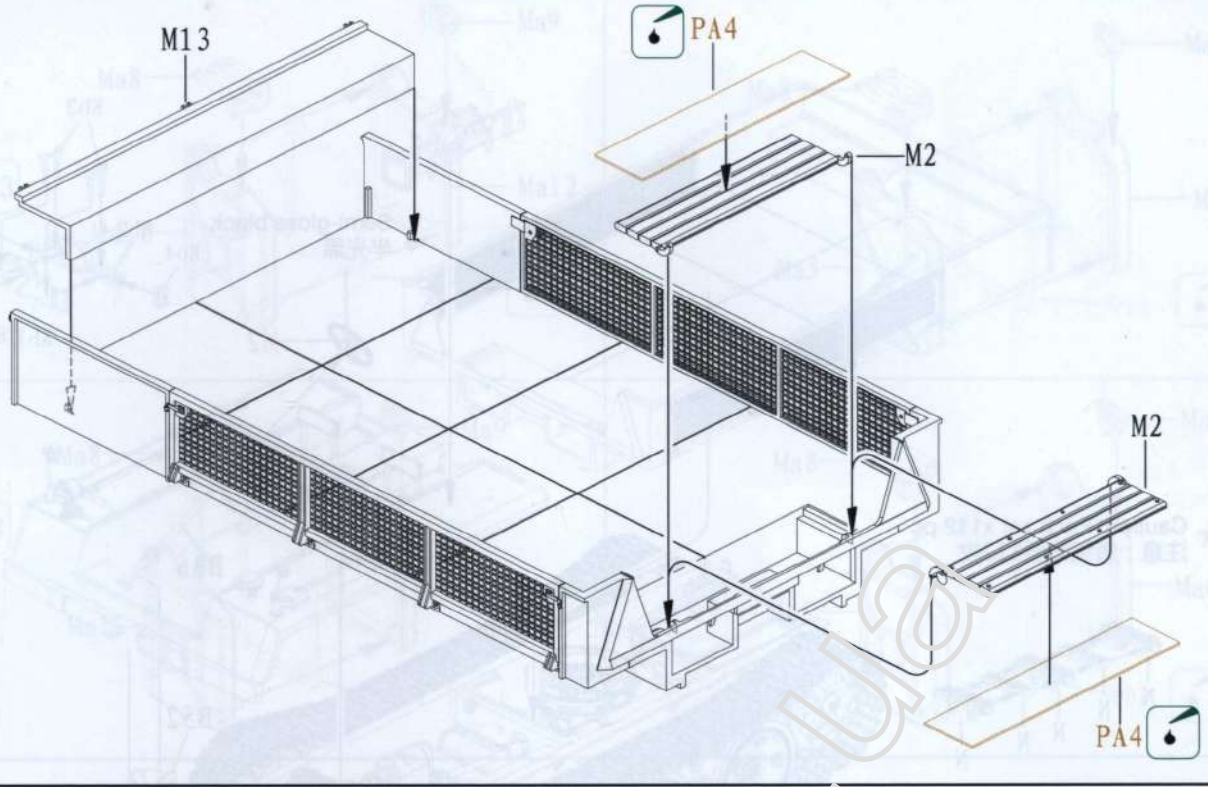


30

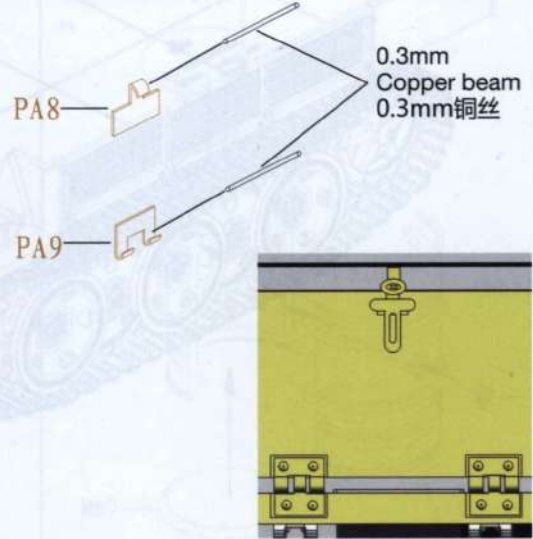
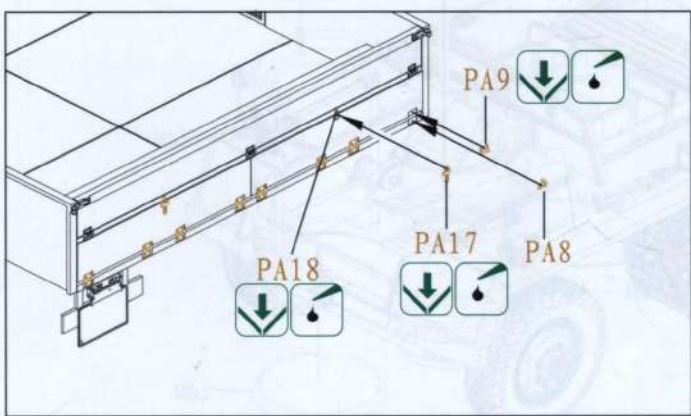
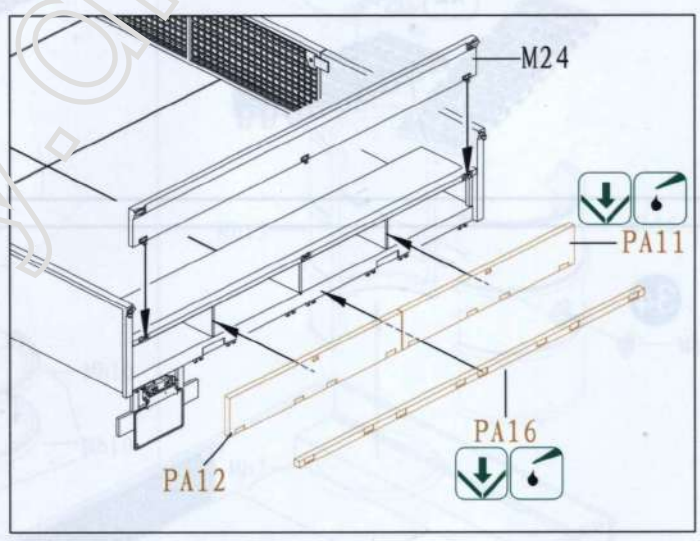
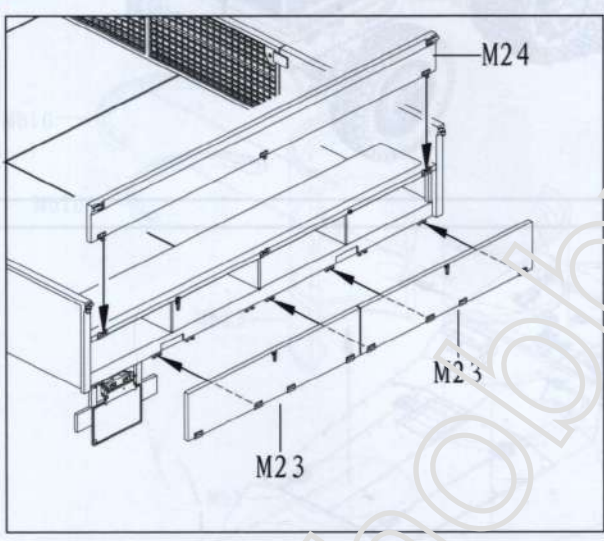




31



32



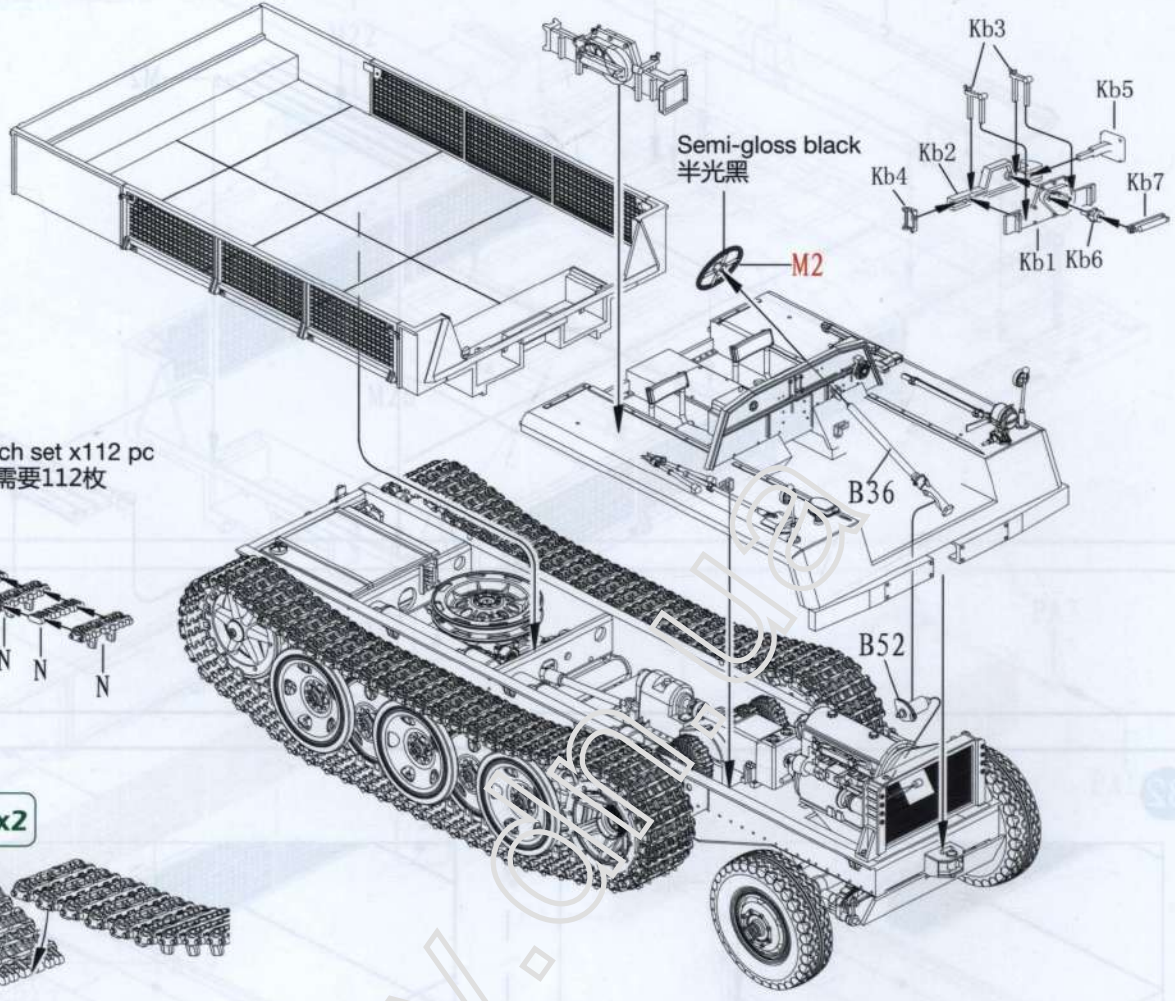
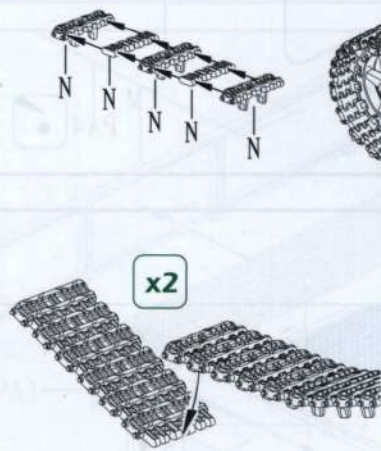


33

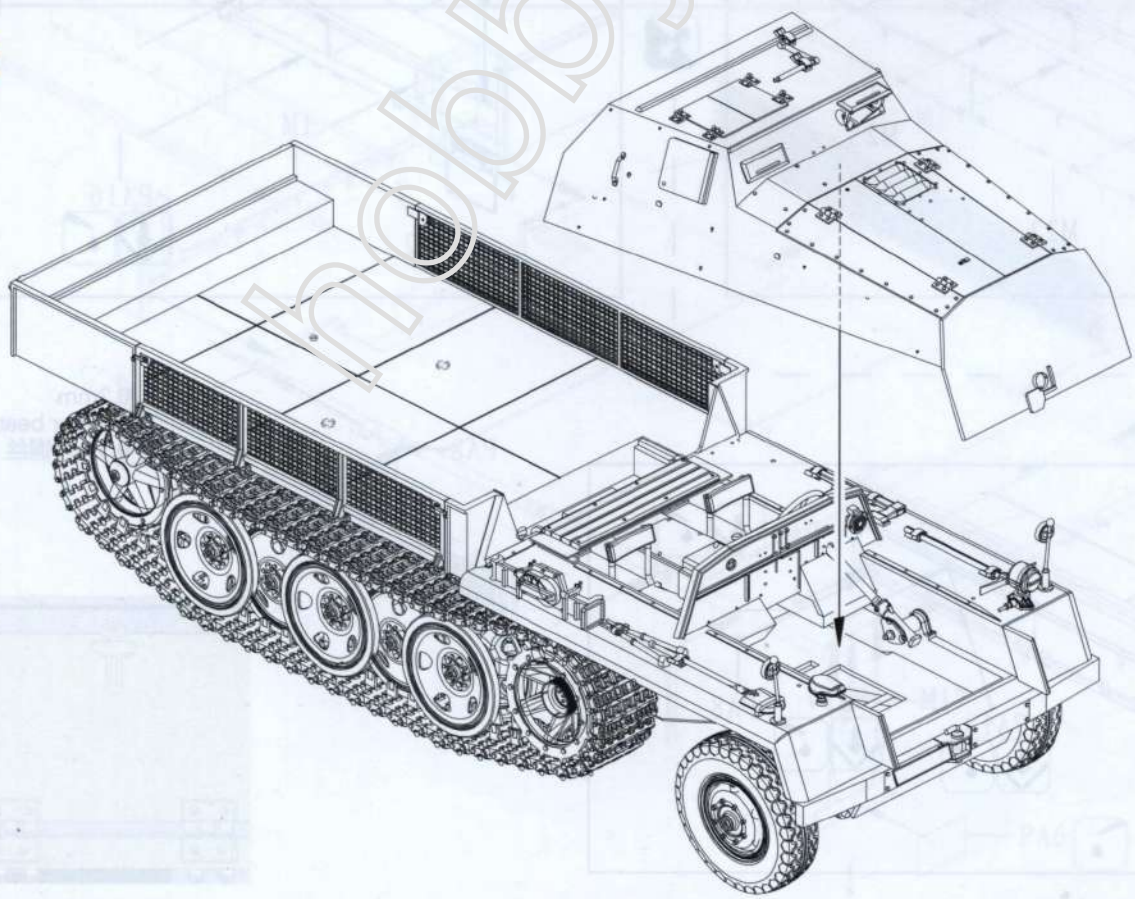
Option 2: sWS Armored Cargo Version  
选项二: sWS装甲运输车

18

★ Caution: Each set x112 pc  
注意: 每组需要112枚



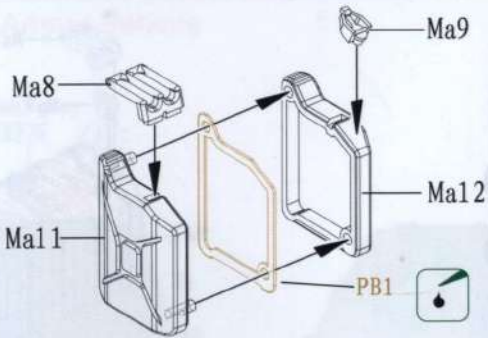
34



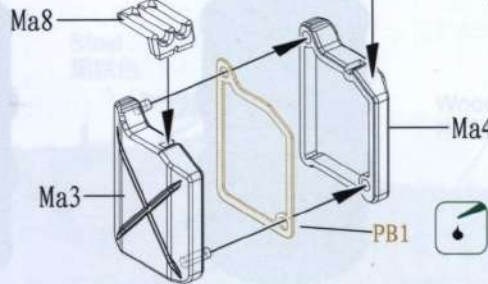


35

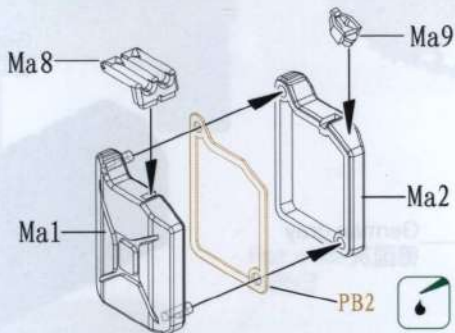
x3



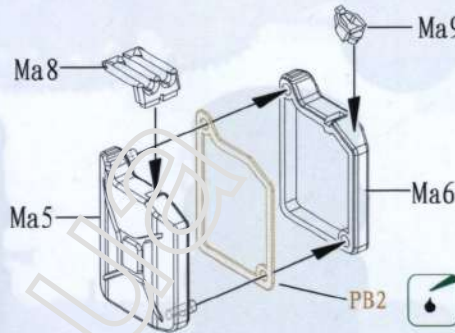
Ma9



x3



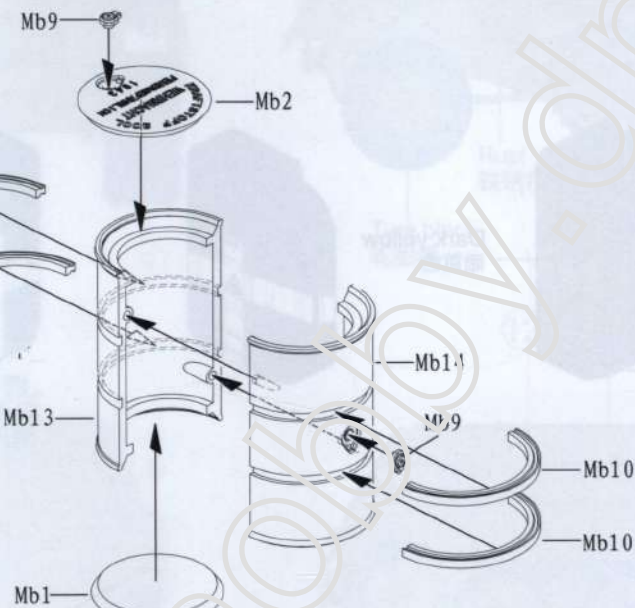
x3



36

Mb10

Mb10



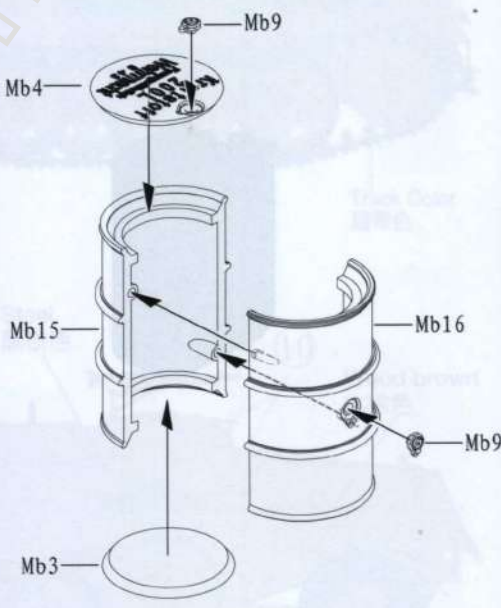
Mb4

Mb15

Mb16

Mb9

Mb3



Mb9

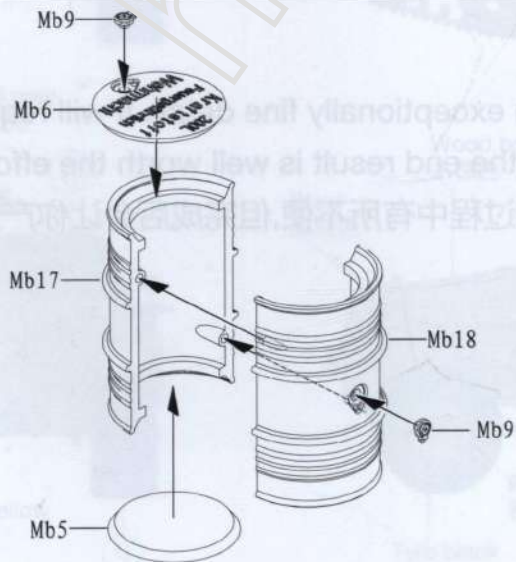
Mb6

Mb17

Mb18

Mb9

Mb5



Mb9

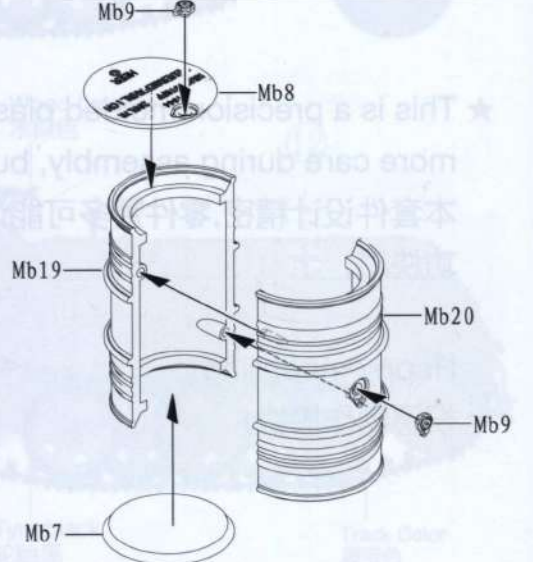
Mb8

Mb19

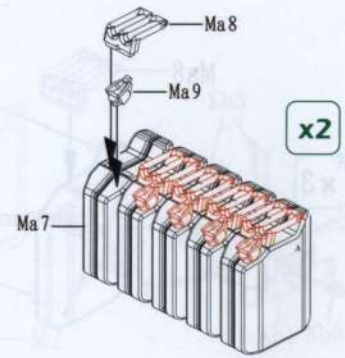
Mb20

Mb9

Mb7







German gray  
德国灰



German gray  
德国灰



Dark yellow  
暗黄色



Flat white  
消光白

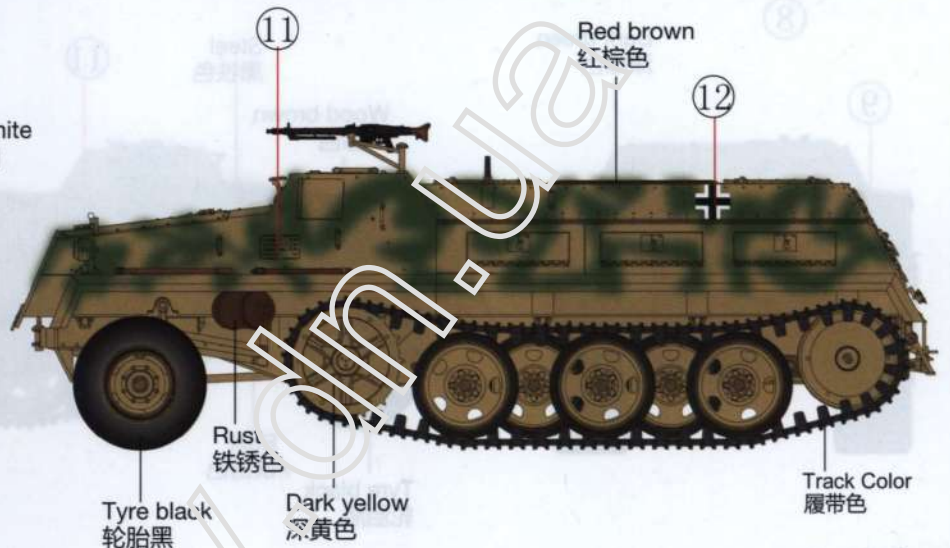
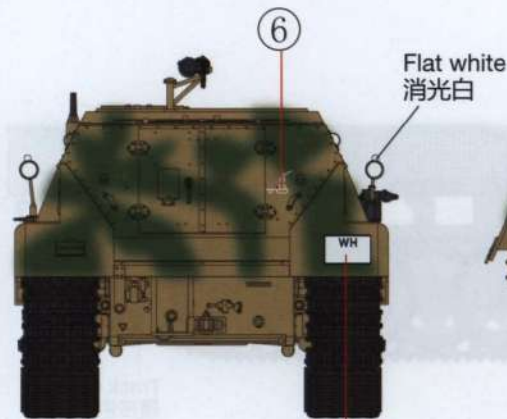
★ This is a precision molded plastic kit with exceptionally fine detail. It will require a little more care during assembly, but you feel the end result is well worth the effort.  
本套件设计精密,零件繁多可能让你在制作过程中有所不便,但完成后会让你产生无穷之成功快感。

Happy modelling!  
祝愿制作愉快!

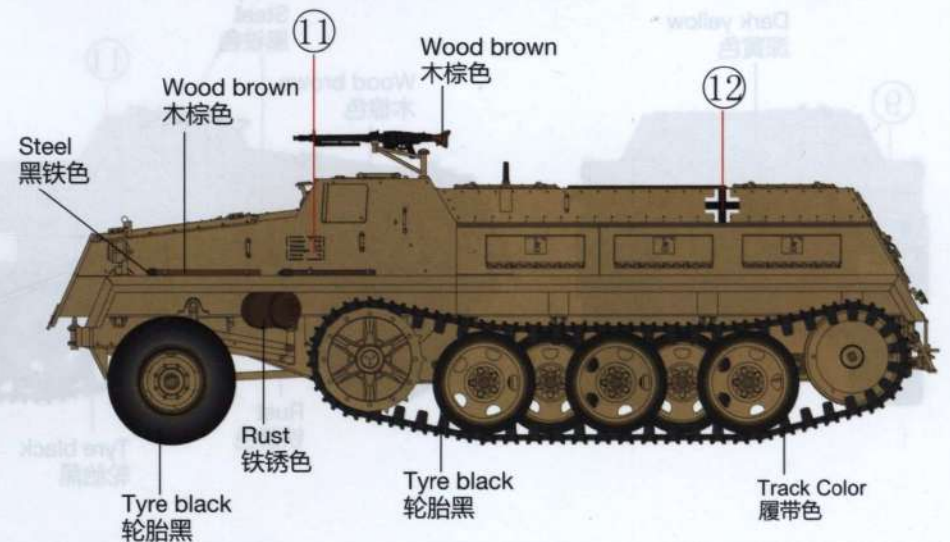
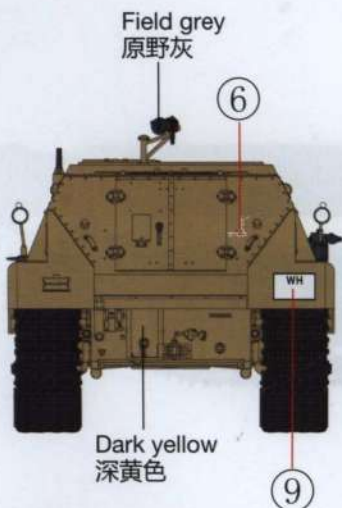
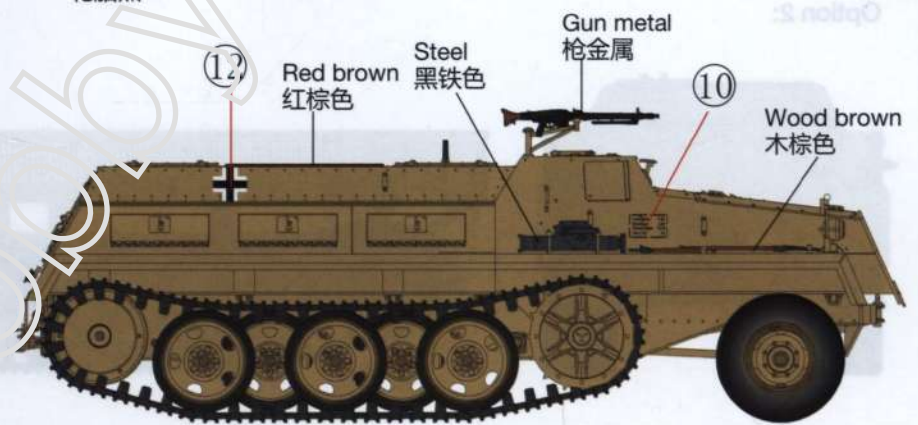
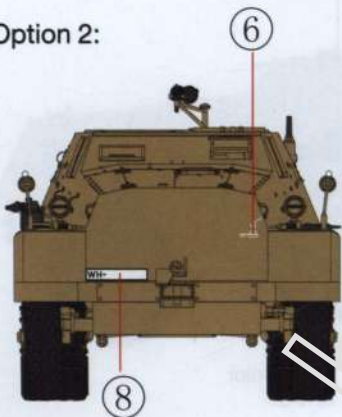


sWS Supply Ammo Vehicle  
sWS供弹车

Option 1:



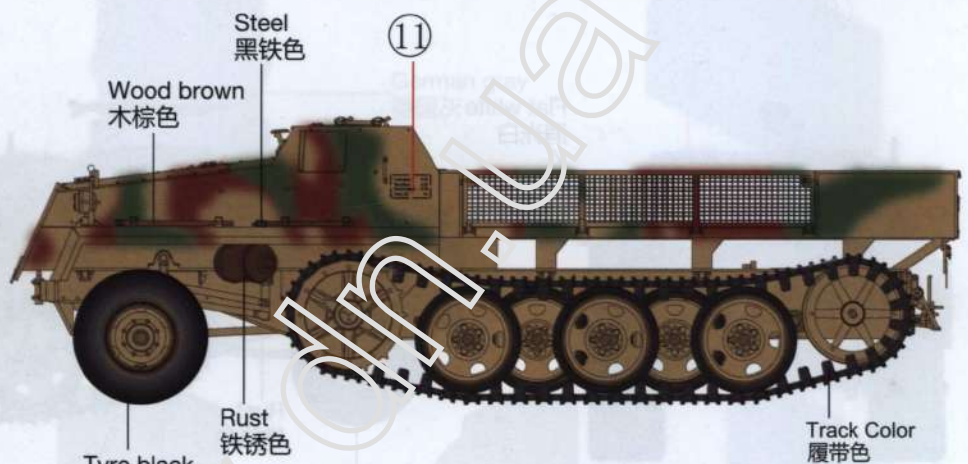
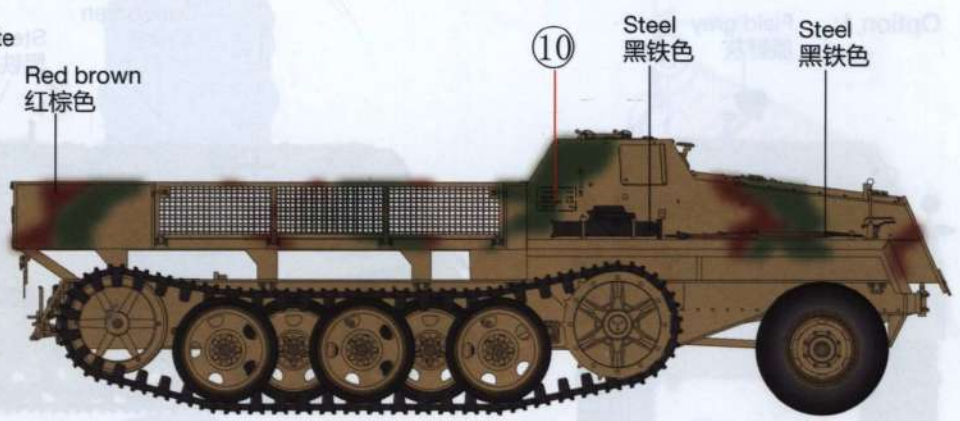
Option 2:





sWS Armored Cargo Version  
sWS装甲货运车

Option 1:



Option 2:

