

Vorschrift

Montageanleitung

Romfell Panzerwagen

Maßstab 1:35

hobby.on.us



Budapest, 1915.

Aus der Druckerei des k. u. k. Kriegsministeriums.

Important Notes

- Read the instructions carefully before starting assembly.
- Use glue intended for plastic models.
- Choking hazard. Keep small parts and plastic bags away from children.
- Always wear protective eyewear when cutting and a protective mask when painting, gluing and sanding.
- Use paints designed and suitable for plastic model kits.

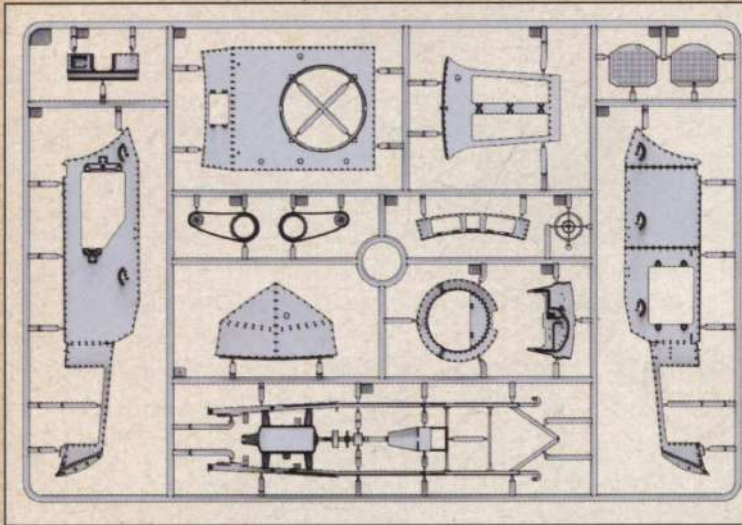


Fig. 1. Fret A

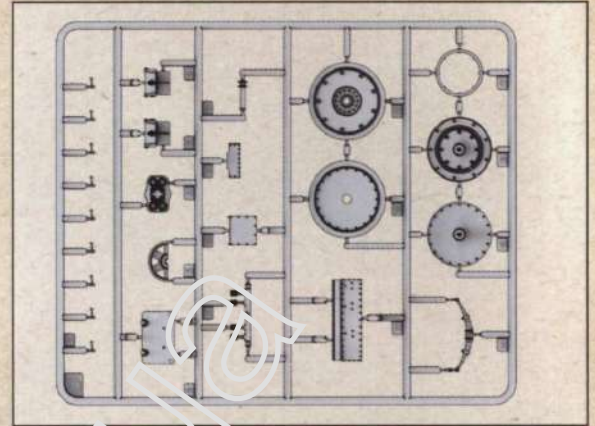


Fig. 2. Fret D x2

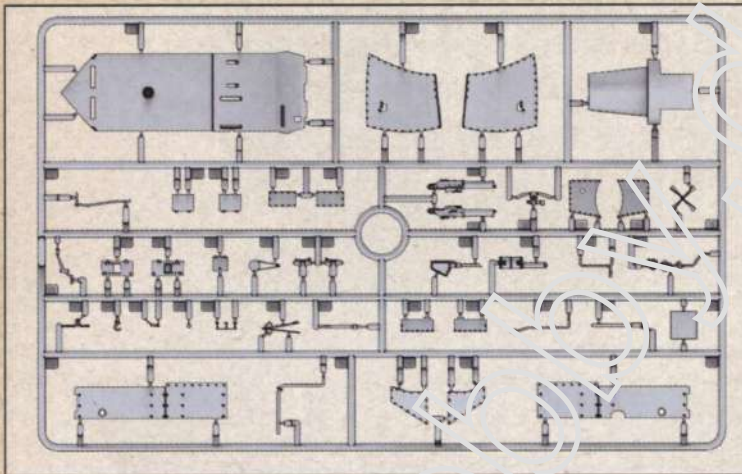


Fig. 3. Fret B

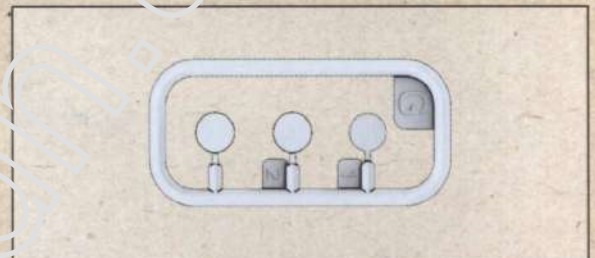


Fig. 4. Fret G

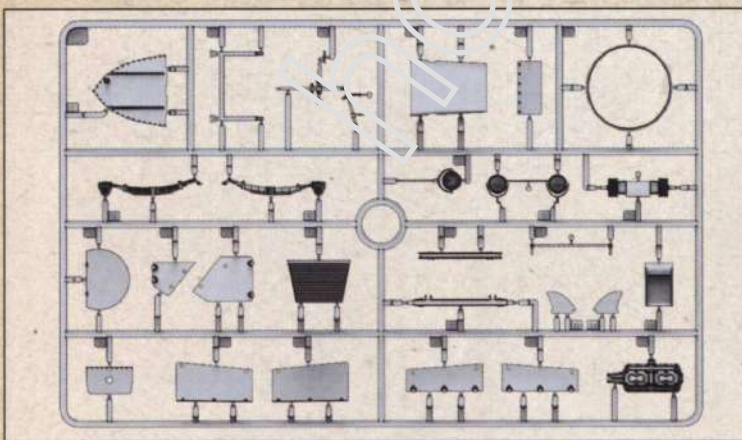


Fig. 5. Fret C

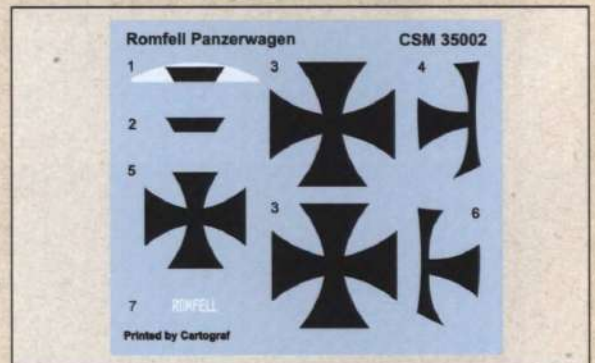
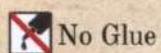


Fig. 6. Decals

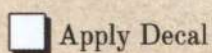
1 Aluminum	7 Gun metal
2 Copper	8 Rubber (light)
3 Steel	9 Brass
4 Black	10 Gloss black
5 White	11 Grey green
6 Leather	

Colour numbers

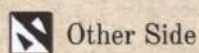
Symbols Reference



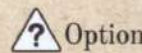
No Glue



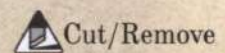
Apply Decal



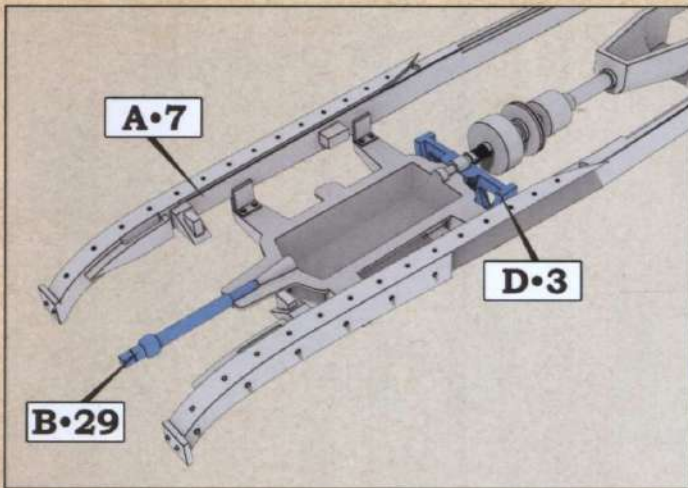
Other Side



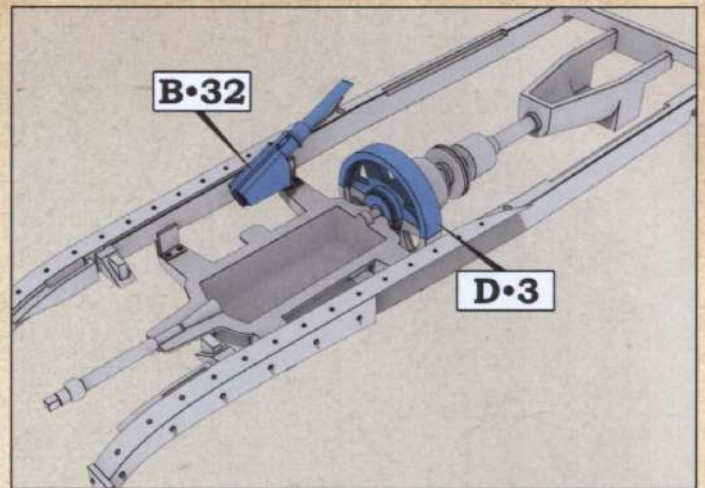
Option



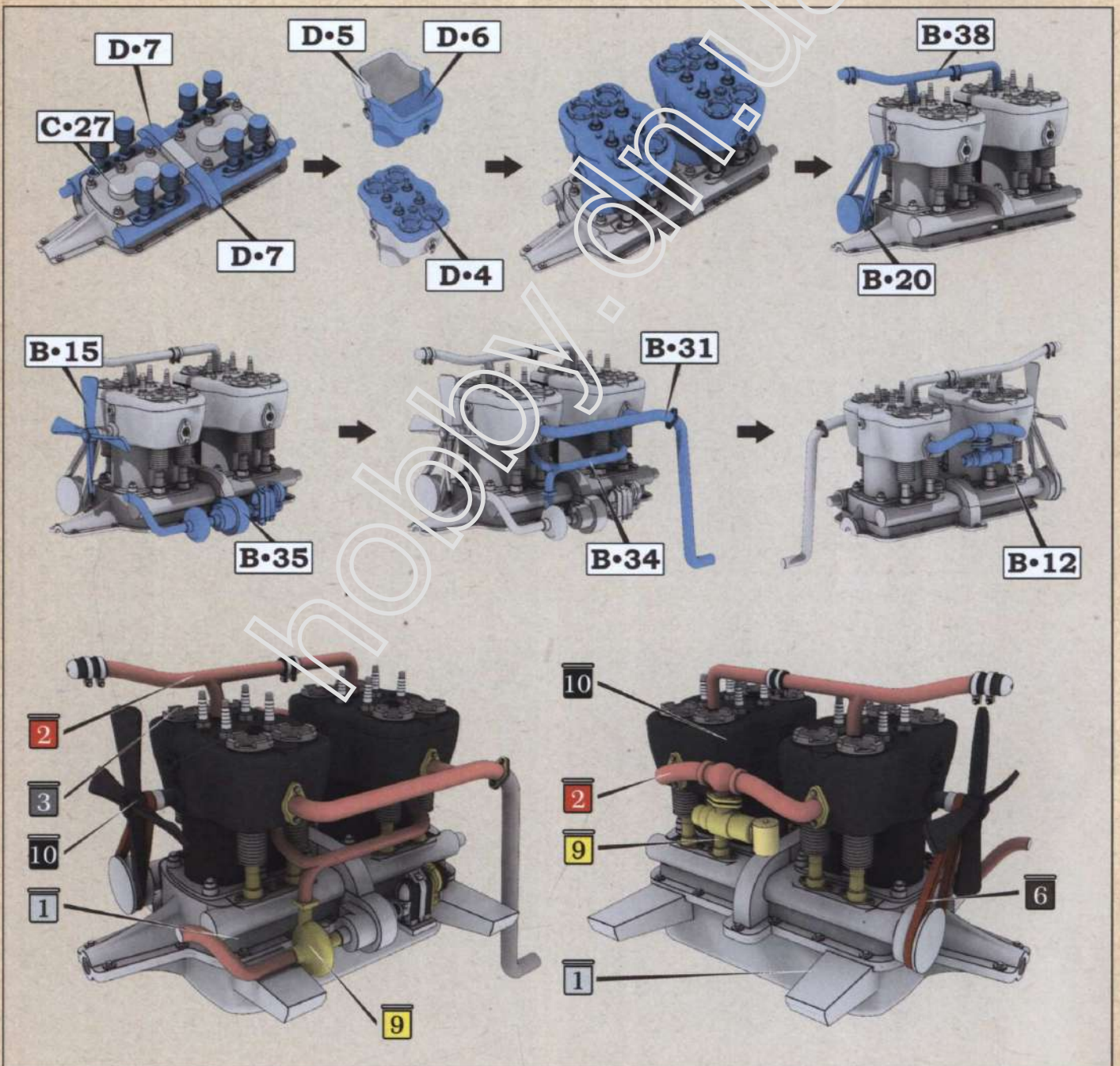
Cut/Remove



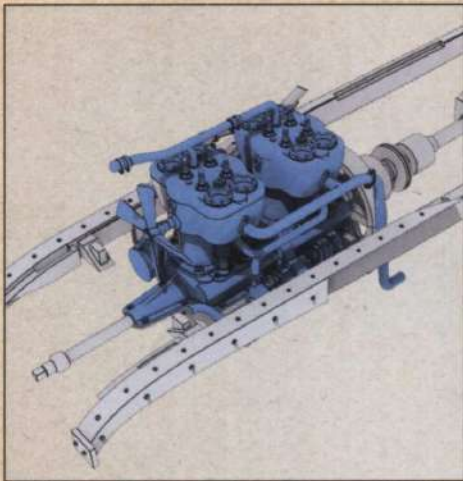
Step 1. Installing engine parts on to the car frame.
Skip D3 installation if building fully closed Romfell



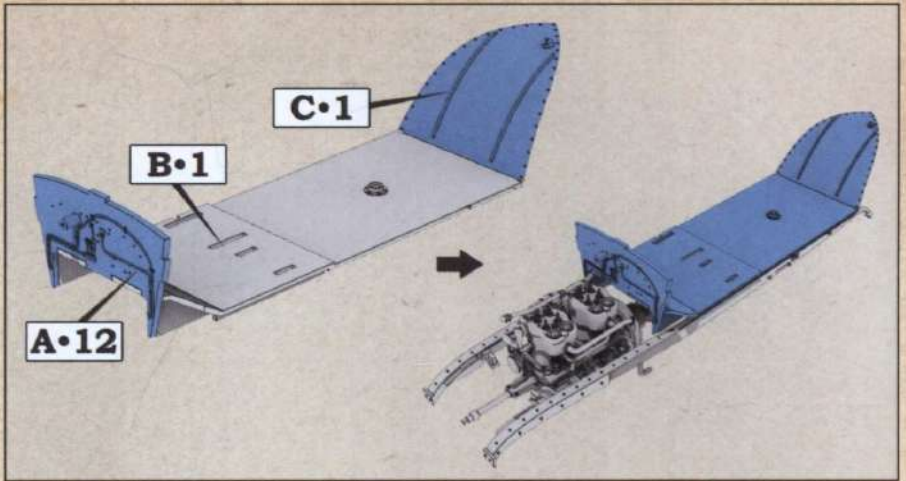
Step 2. Installing flywheel half and steering gear box.
Skip this step if building fully closed Romfell



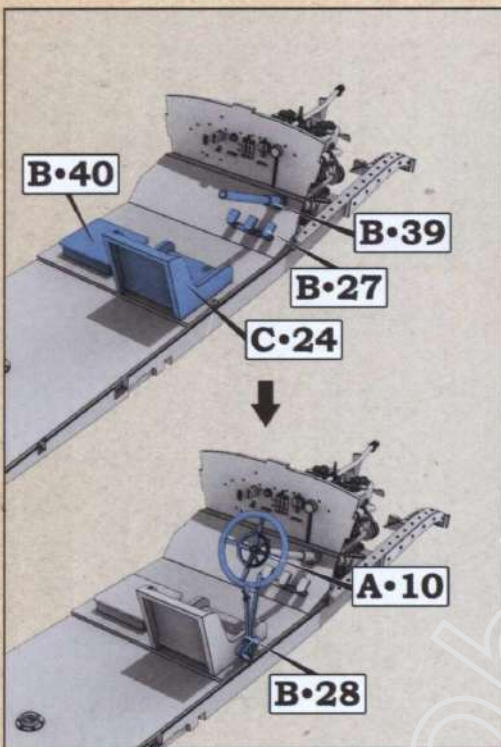
Step 3. Engine assembly. Skip this step if building fully closed Romfell.



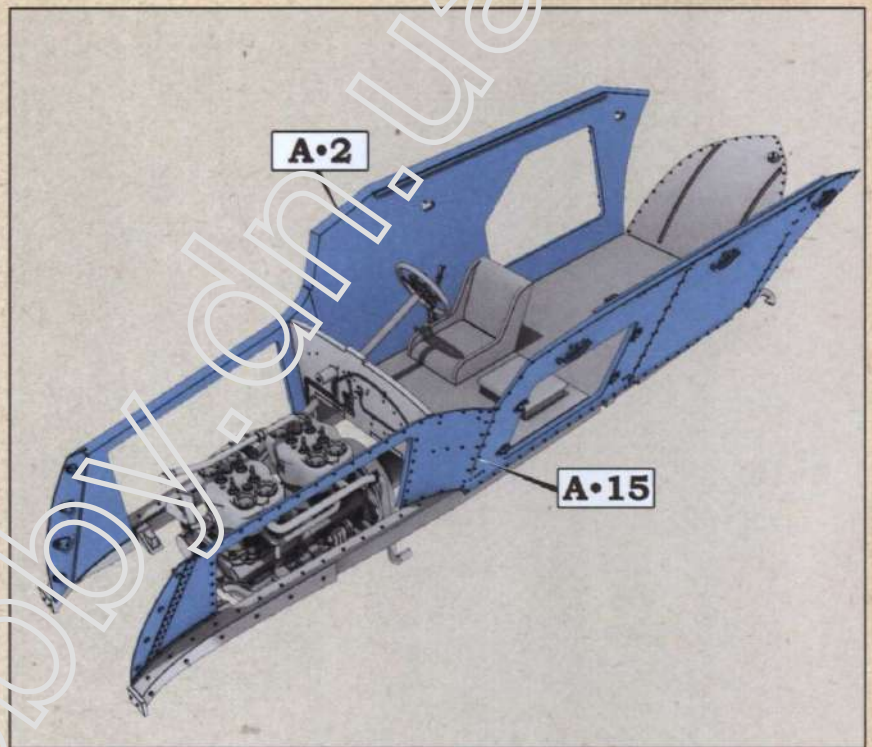
Step 4. Installing the engine. For fully closed Romfell install part C27



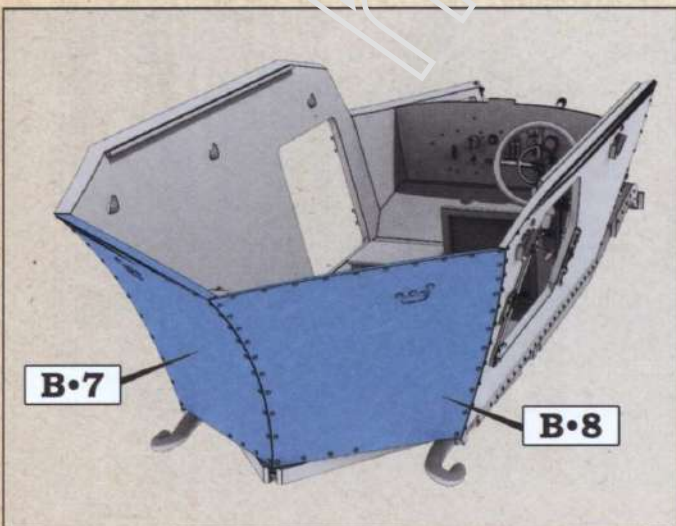
Step 5. Assembling firewall, floor and the fuel tank (rear part)



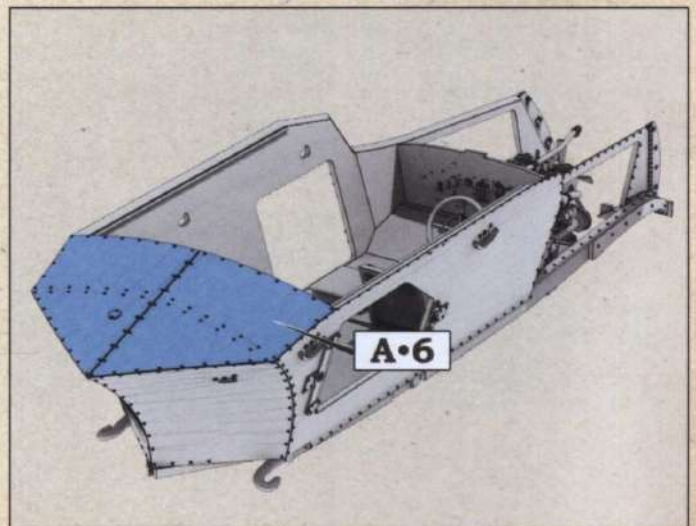
Step 6. Installing interior parts. Skip this step for fully closed Romfell



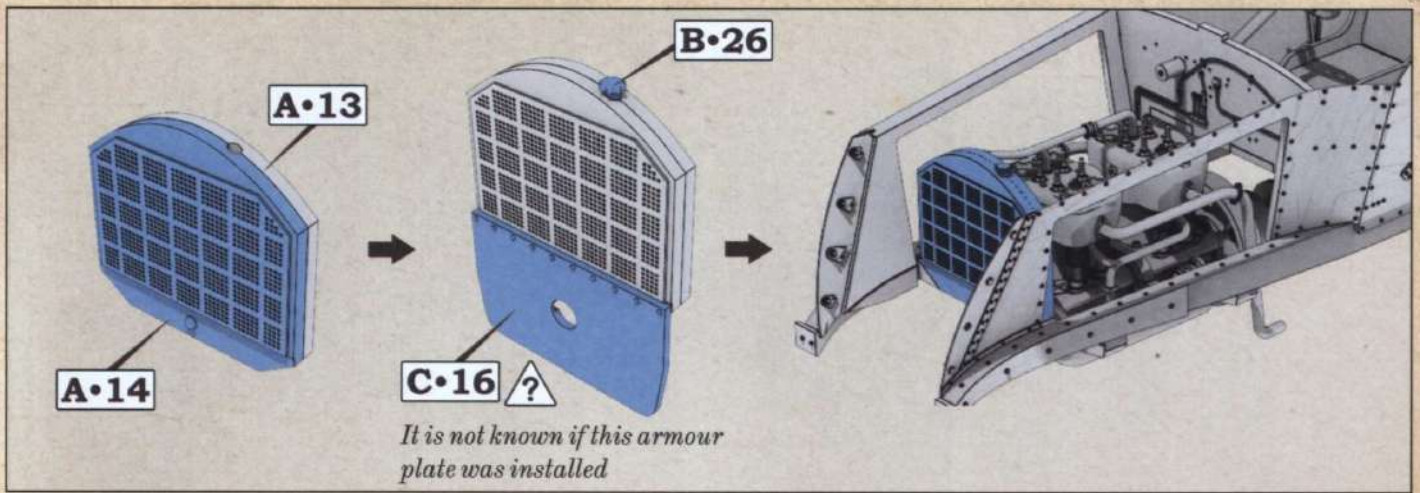
Step 7. Installation of the armoured superstructure walls



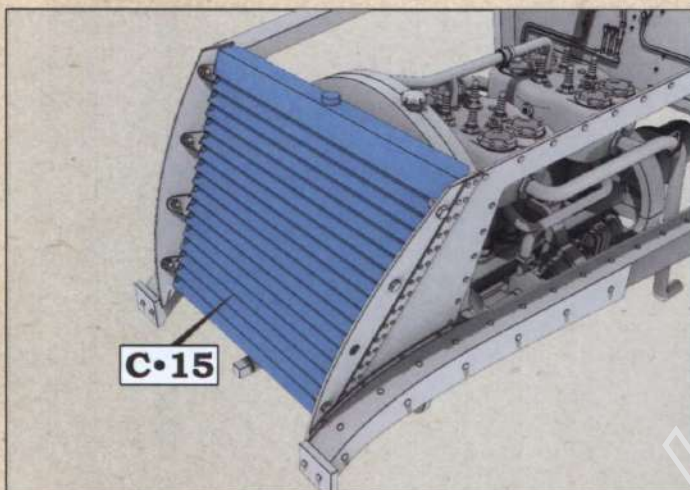
Step 8. Installation of the armoured superstructure



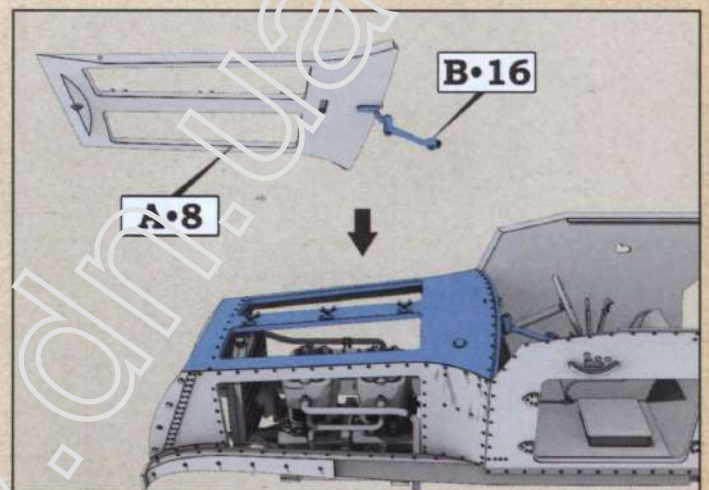
Step 9. Installing the rear part of the roof



Step 10. Assembling and installation of the radiator.



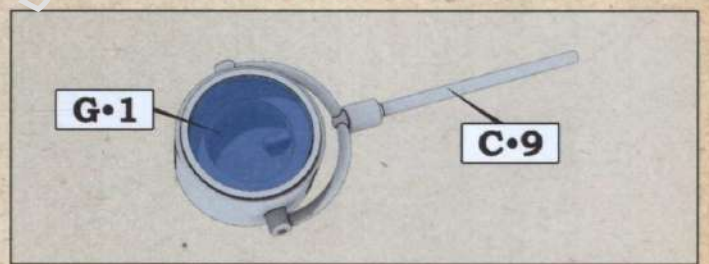
Step 11. Installation of the radiator armoured protection



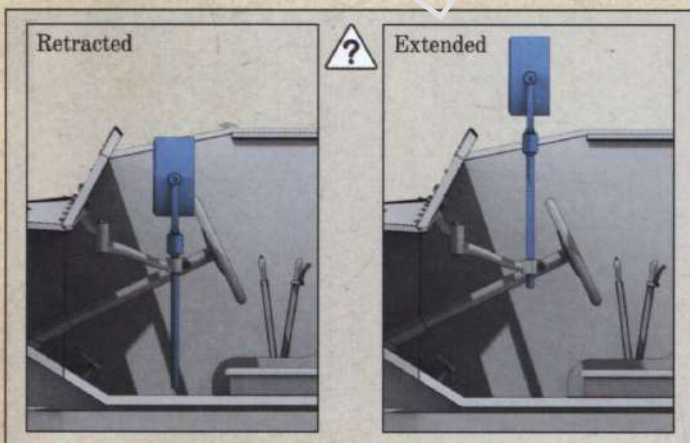
Step 12. Installation of the armoured hood. **Skip B16** installation if building fully closed Romfell



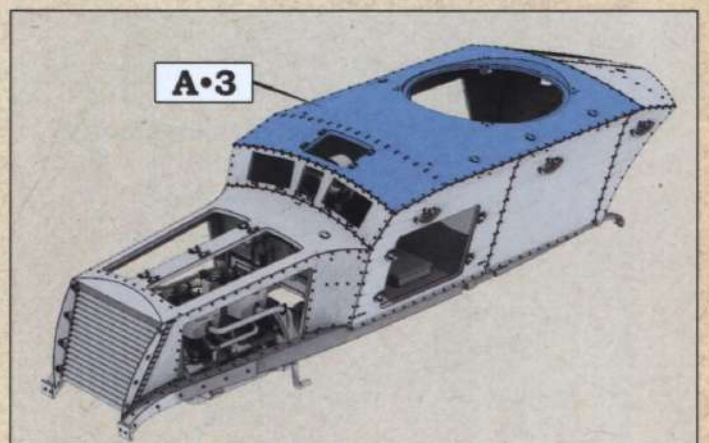
Step 13. Installation of the armoured windscreen



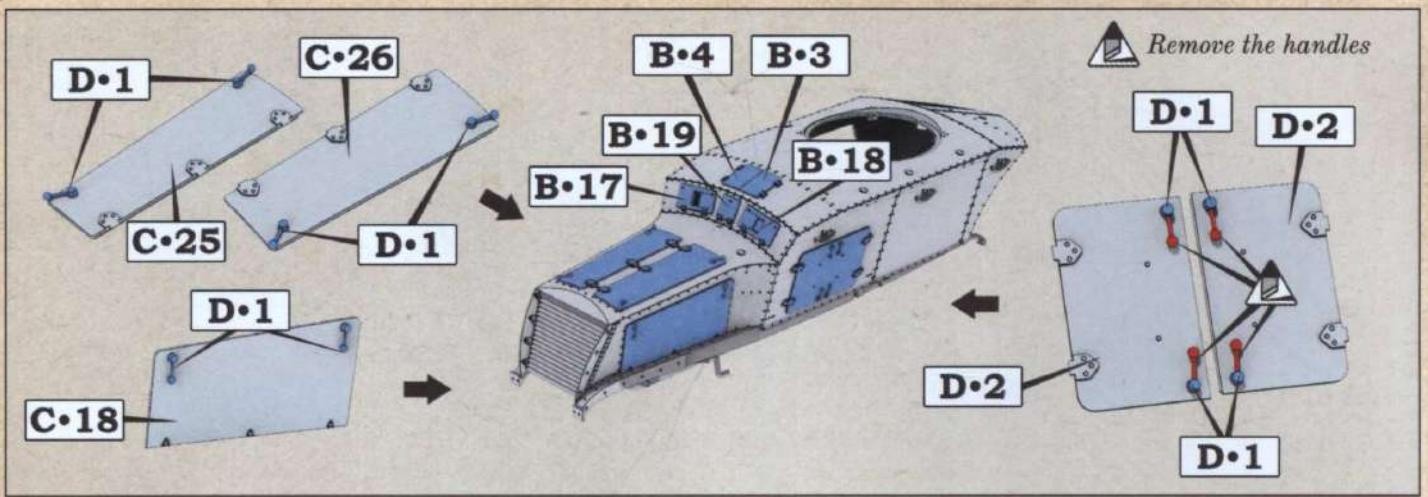
Step 14. Assembling the searchlight. **Skip this step** if building fully closed Romfell



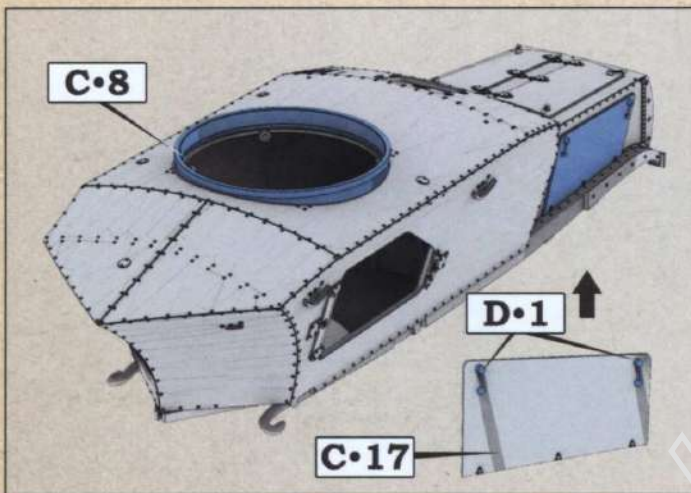
Step 15. Installation of the searchlight. **Skip this step** for fully closed Romfell.



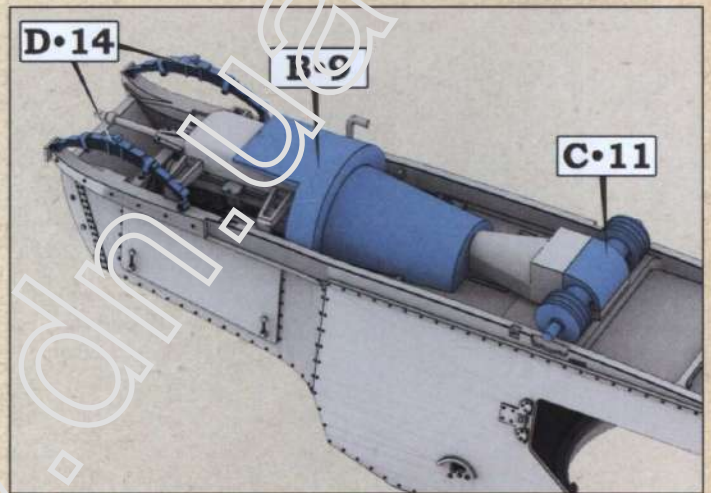
Step 16. Installation of the main roof



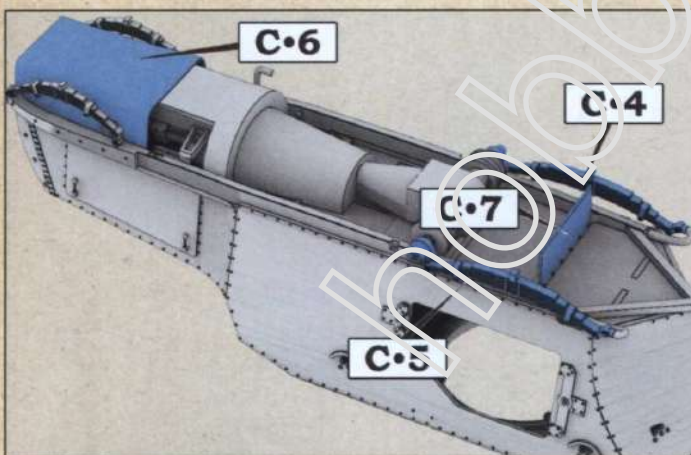
Step 17. Installation of doors, different panels and hatches



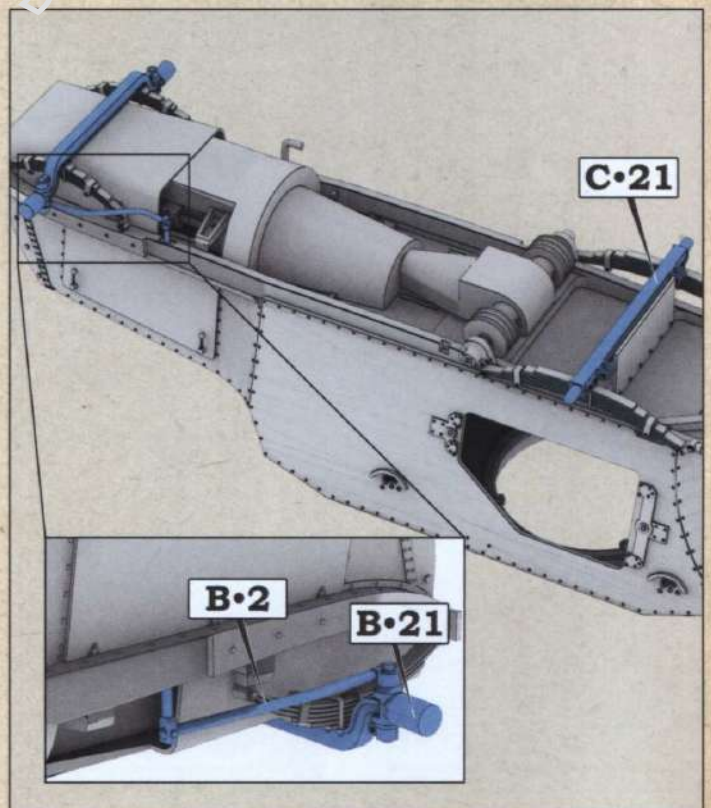
Step 18. Installation of the turret base ring and engine side panel



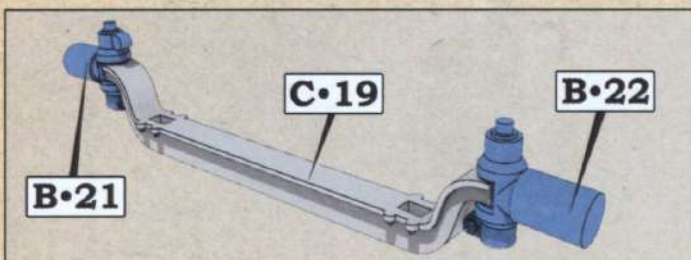
Step 19. Installation of the front cantilever springs, main drive unit and the drive shaft housing



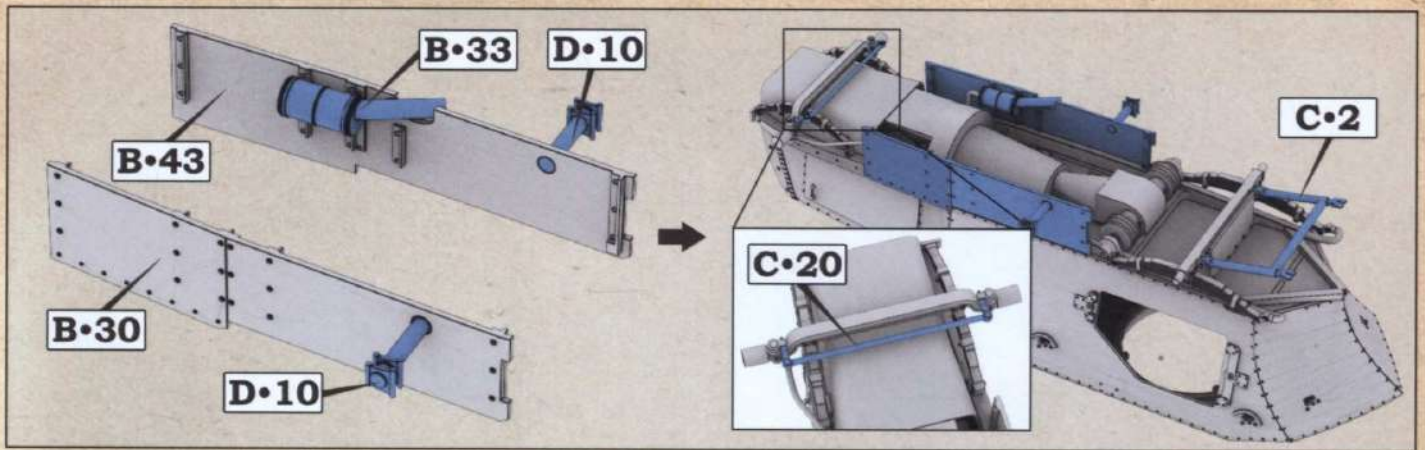
Step 20. Installation of the rear cantilever springs, rear axle armour plate and front engine housing



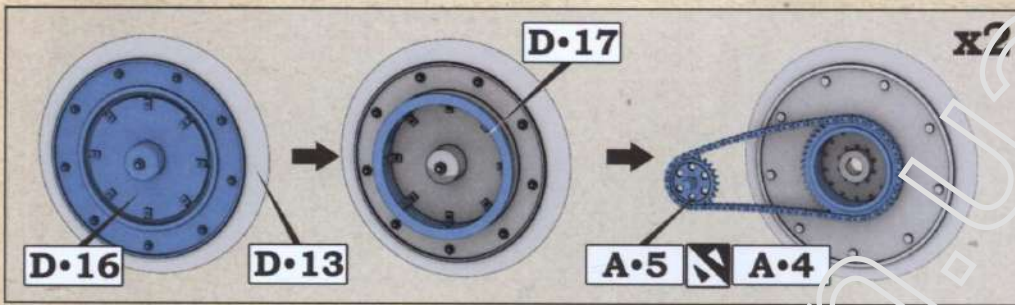
Step 22. Installation of the rear axle and front axle with steering arm



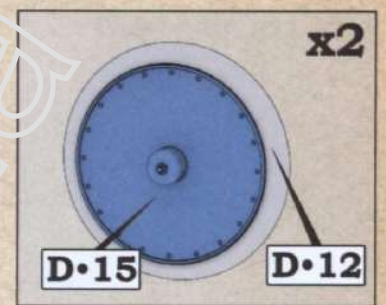
Step 21. Front axle assembly.



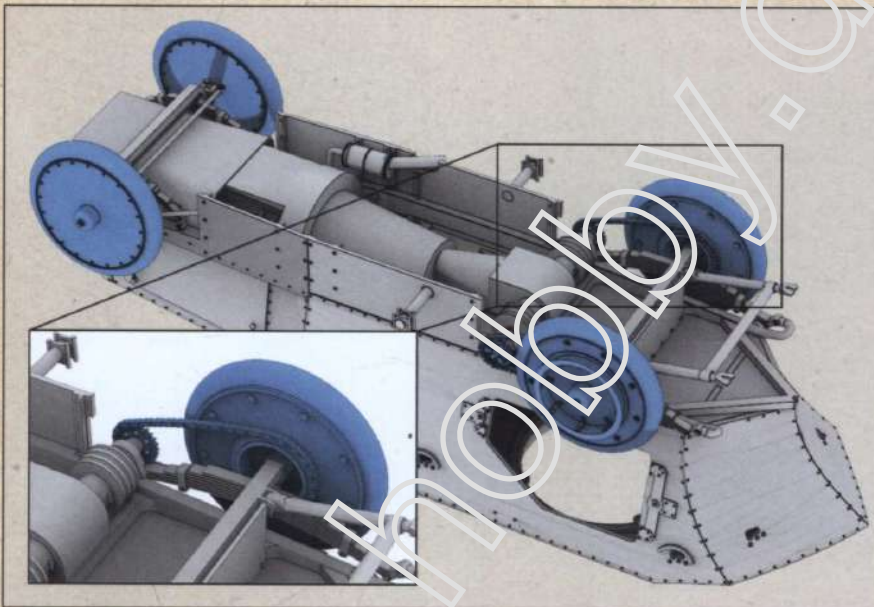
Step 23. Assembling of the side armour with exhaust and other parts



Step 24. Assembling of the rear wheel with chain drive. Make two



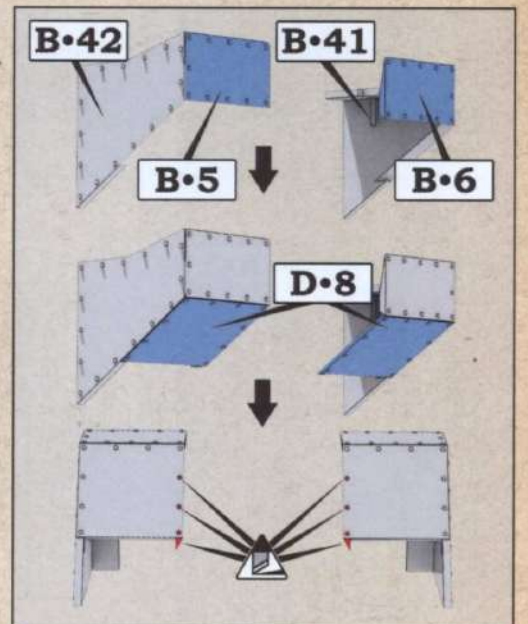
Step 25. Assembling of the front wheel. Make two



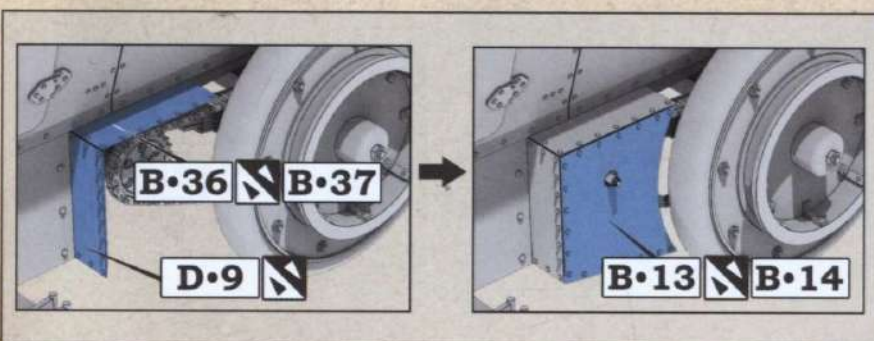
Step 26. Installing wheels



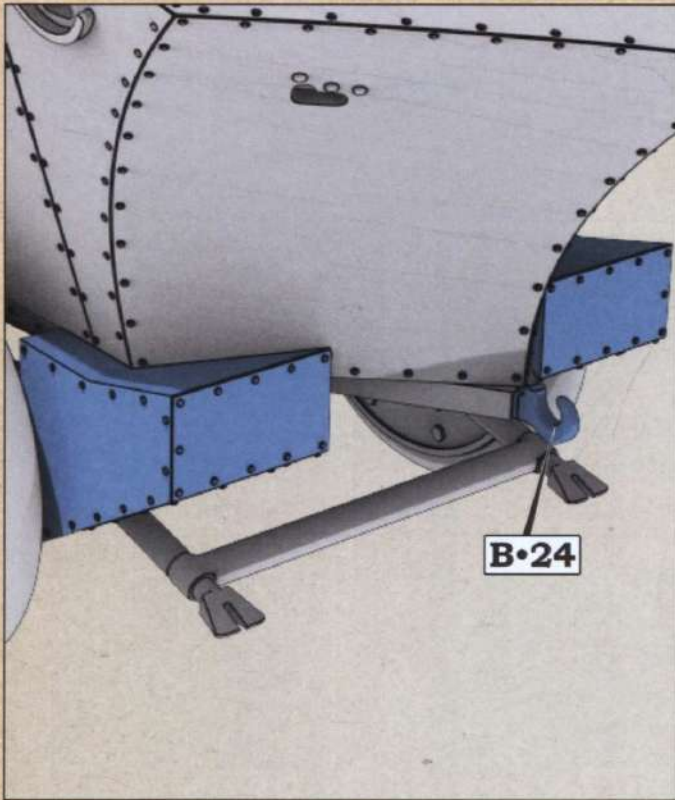
Check the front wheels for positive camber



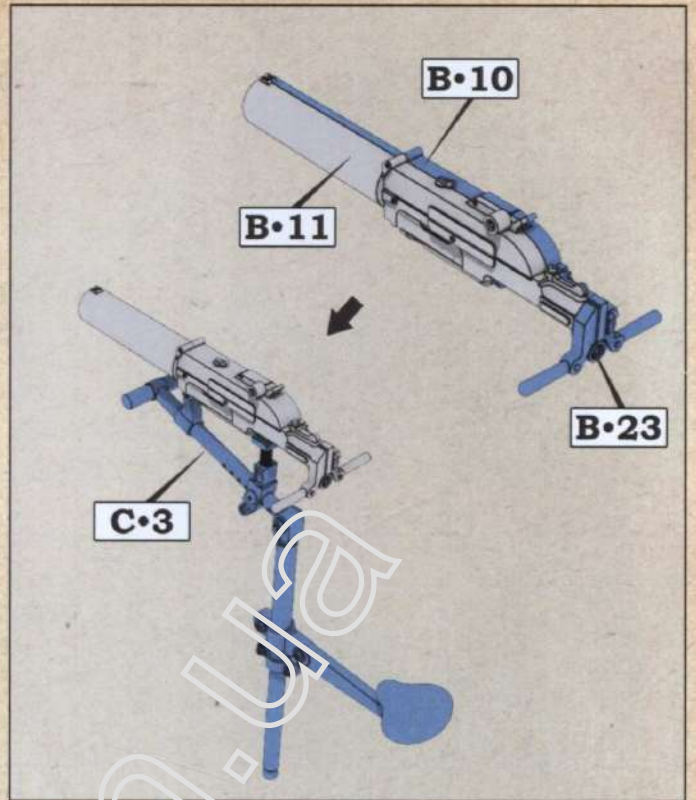
Step 28. Assembling the rear cantilever springs protection



Step 27. Installing chain drive protection



Step 29. Installing the rear cantilever springs protection and the tow hook



Step 30. Assembling Schwarzloze MG with MG mount

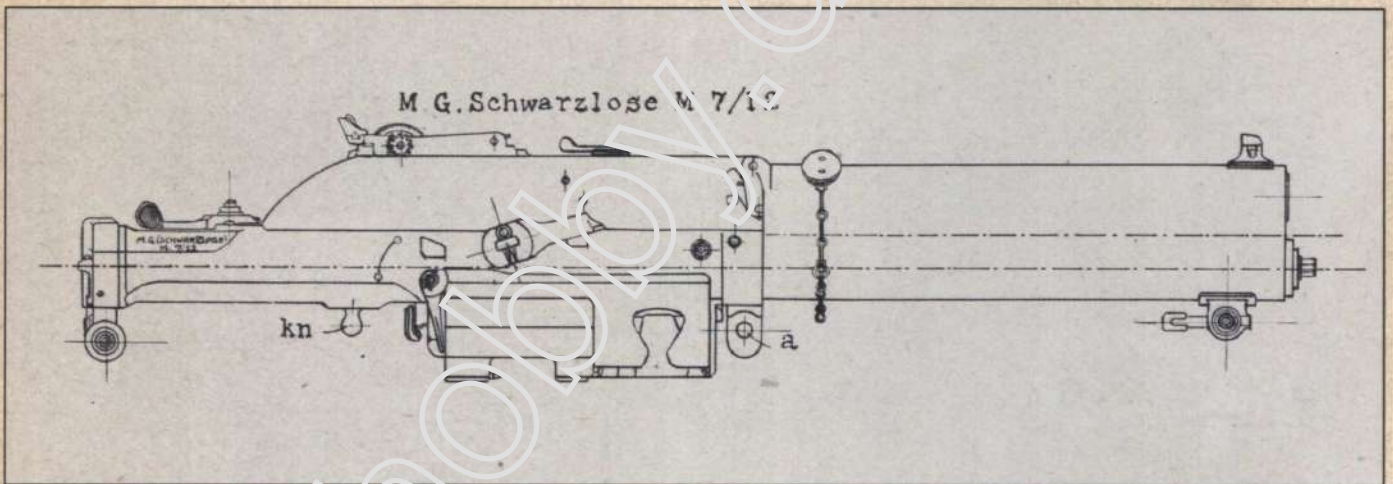
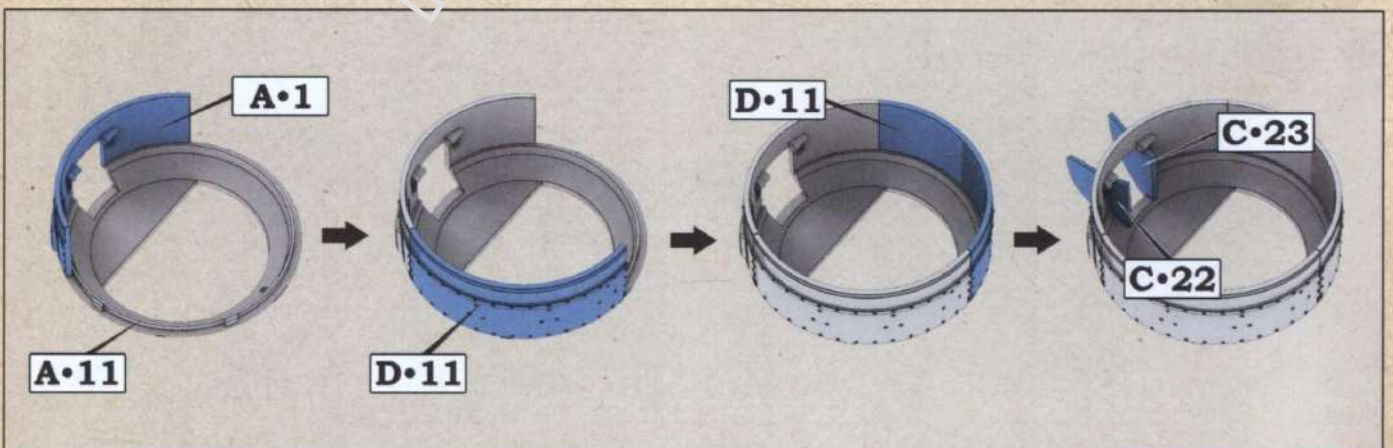
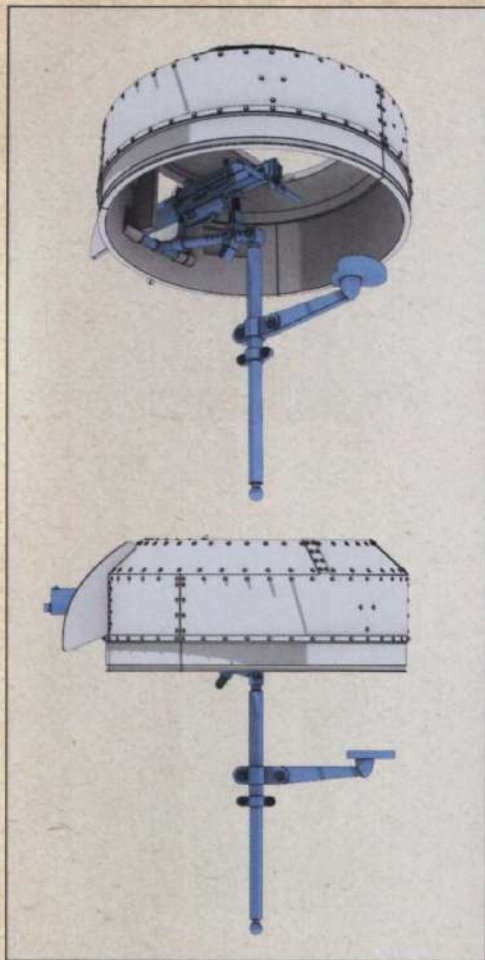


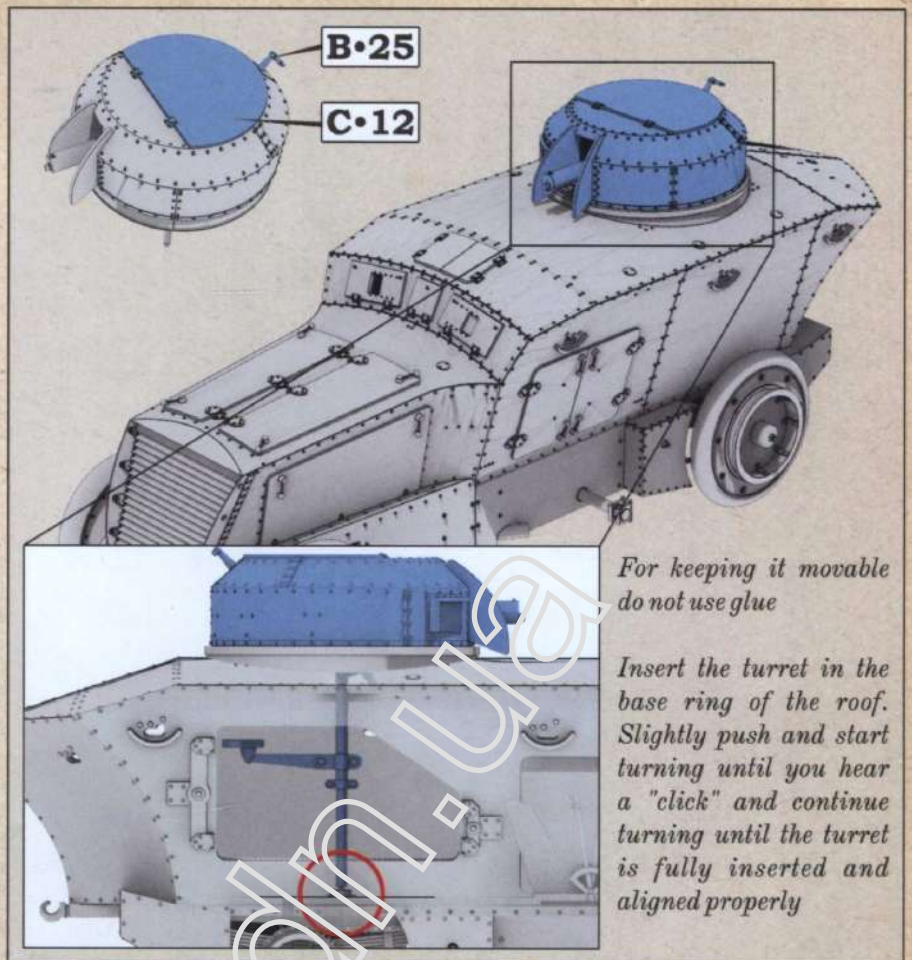
Illustration 10. The drawing of Maschinengewehr Schwarzlose M.07/12



Step 31. Assembling the turret



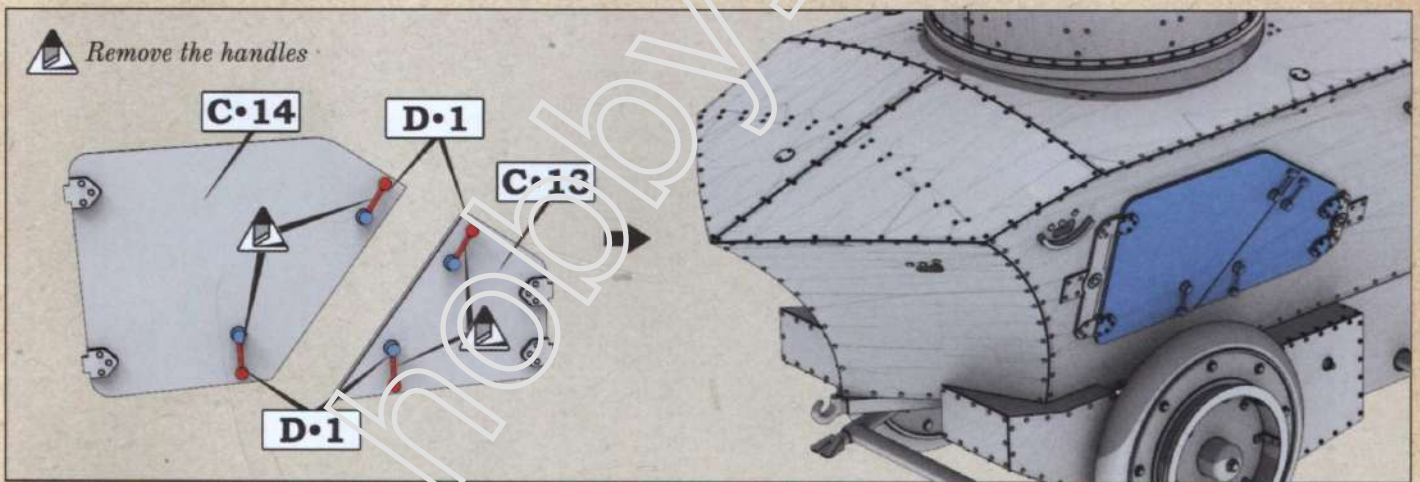
Step 32. Installing Schwarzloze MG into the turret



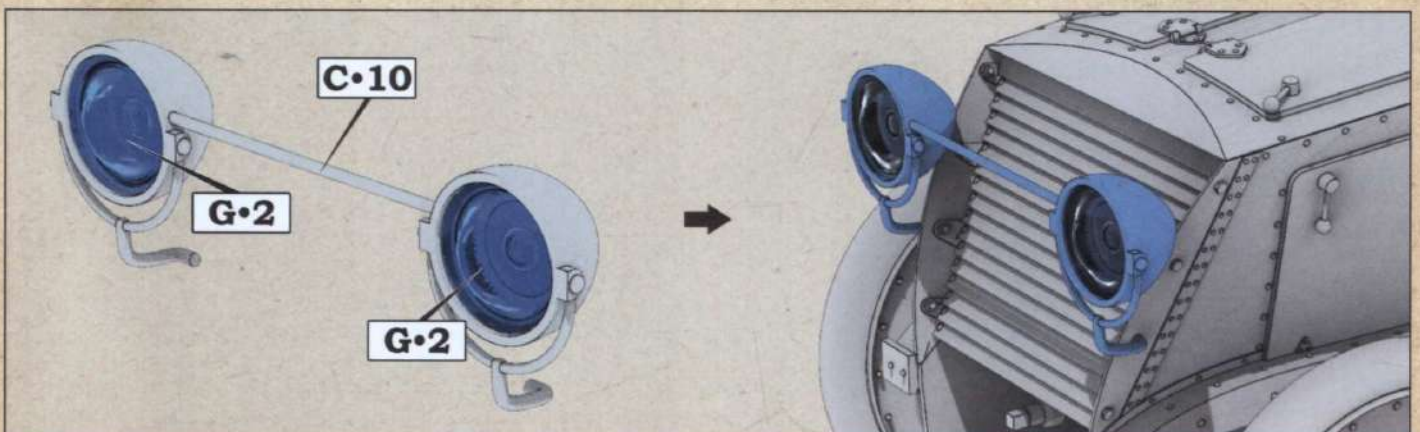
For keeping it movable do not use glue

Insert the turret in the base ring of the roof. Slightly push and start turning until you hear a "click" and continue turning until the turret is fully inserted and aligned properly

Step 33. Joining turret with the armoured superstructure



Step 34. Installing the right side rear doors



Step 35. Assembling and installing the headlights

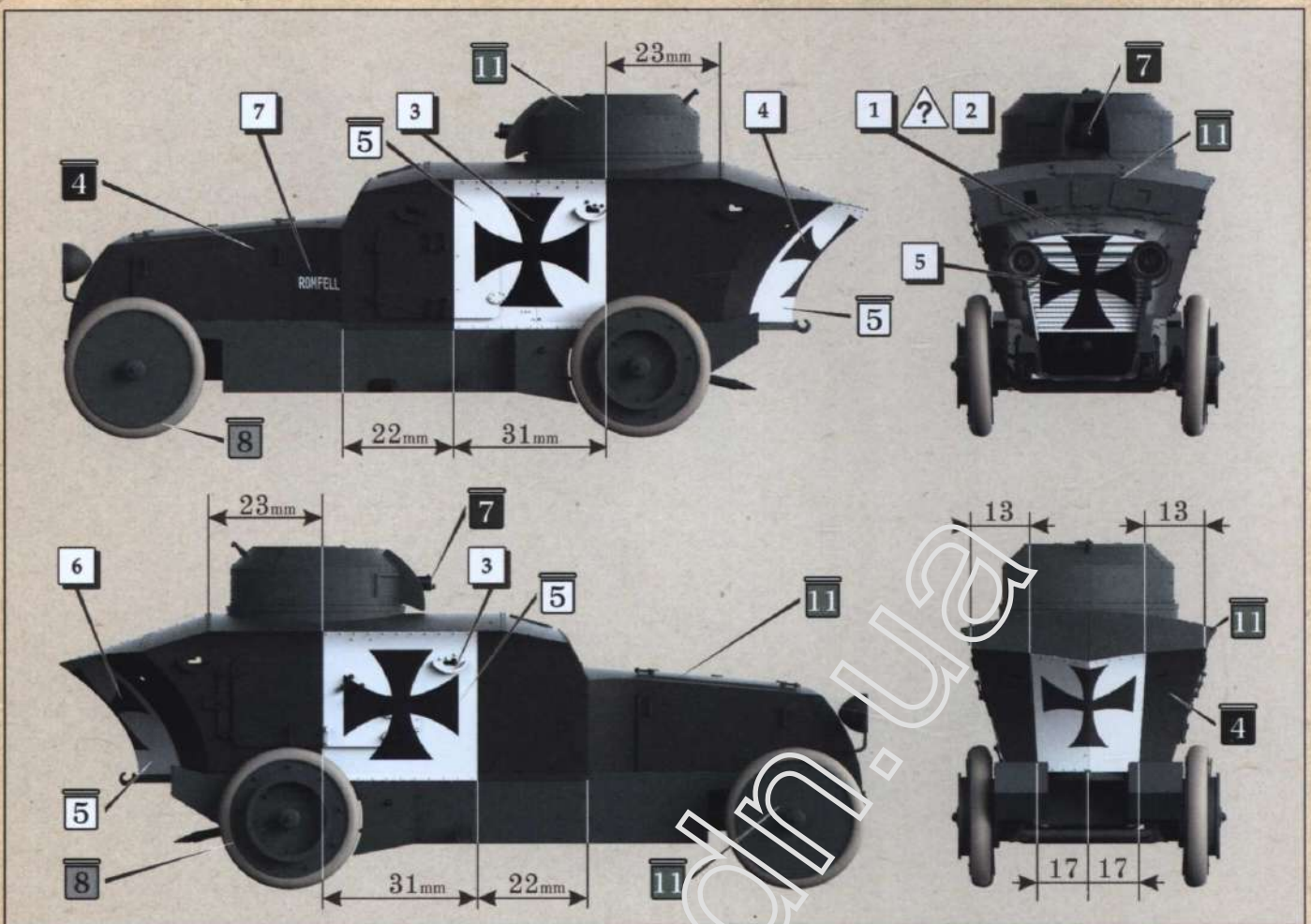


Illustration 11. Romfell in Vienna, November 1915. before leaving to the Army

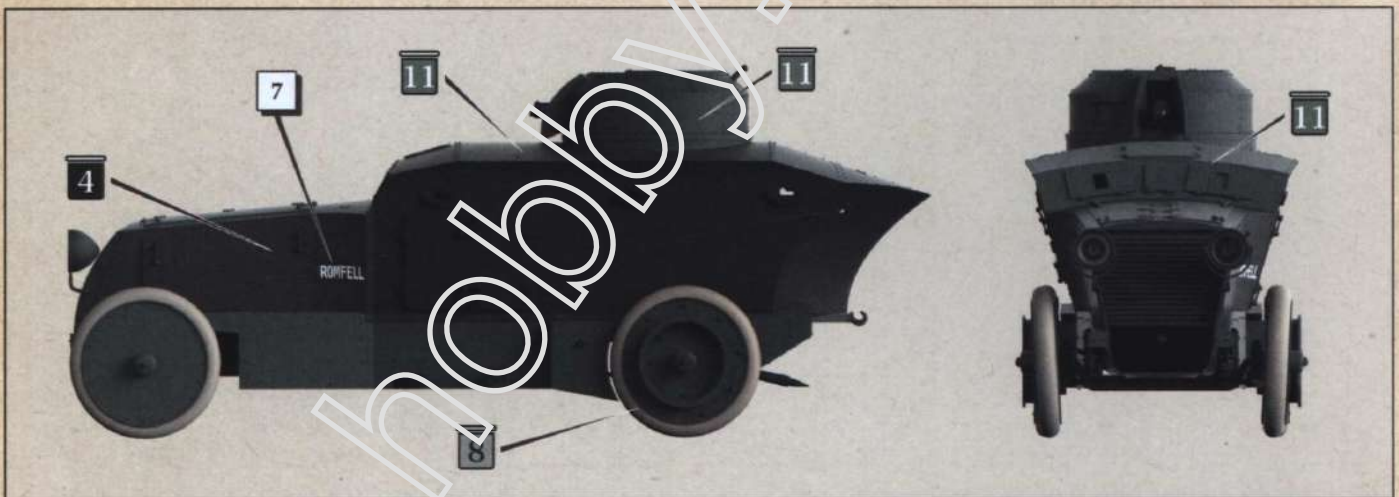


Illustration 12. Romfell in the area of the 7th Army, Winter 1915/1916

All colour information are speculative as there is no documentation known. On the pictures the vehicle appears in different shades of gray. This could have been a very dark grey or a kind of olive green. On Austro-Hungarian vehicles and armour have been used many different colours. The sides of the car could have been painted black. Wheels are light or dark grey.

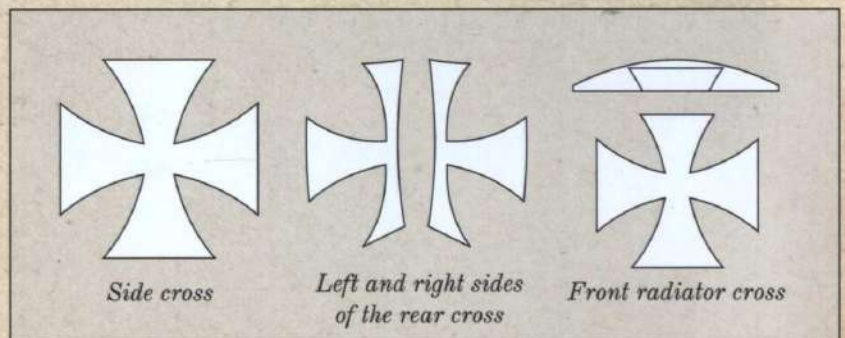


Illustration 13. Romfell crosses for masking templates to make your own masks