

1/35 SCALE

ITEM NO.:02327



# Soviet UAZ-469 All-Terrain Vehicle

## 苏联UAZ-469军用吉普车

### READ BEFORE ASSEMBLY:

- Study and understand these instructions thoroughly before beginning assembly
- When needed, remove photo-etch parts carefully using a modeling knife or photo etch sprue cutter, being careful not to damage or lose small parts.
- Take extra care in handling photo etch parts in order to avoid injury
- Apply instant cement sparingly to photo etch parts where instructed
- Tools recommended(not included in kit):Plastic and instant cements, sprue cutters,long nose pliers,modeling knife, small files, tweezers, pin vise & scissors. Soft cloth and sandpaper will also assist in construction
- Glue and paint are not included in the kit. Use plastic cement and hobby paints only. Color guide for purchasing paint is included in the kit.

### 装配之前仔细阅读

- 小心用模型锉刀锉平所有零件表面的注射浇口。
- 小心用刀片切下蚀刻片零件，不要遗失小零件。
- 用强力快干胶水粘合蚀刻片零件和金属轴。过量快干胶水使用可能导致可动零件会粘住，小心涂胶。
- 取蚀刻片时应特别注意安全，防止利边划伤手指。
- 某些零件表面需贴水上水贴纸，请选择在装配的同时进行。
- 推荐模型工具(自备)：胶水，水口剪刀，长咀钳，刀片，锉刀，镊子，钳，钻，剪刀，瞬间快干胶。
- 软布同砂纸同时也应该是必备工具。
- 请使用塑料胶水和油漆，模型内不含。



配重  
Weight



使用强力胶  
Cyanoacrylate glue



钻孔  
Make hole



切除  
Cut / Remove



贴纸  
Decal



锉平  
File / Sand



选择  
Option



不涂胶水  
No cement



弯曲  
Bend

### 水贴纸的使用:

- 1.从水贴纸上剪下印花;
- 2.将印花放入温水中浸10秒，然后放在干净布上。
- 3.拿着印花纸将印花移到模型上;
- 4.手指蘸水将印花移到适当的位置;
- 5.用软布轻压印花直至水干，气泡消失

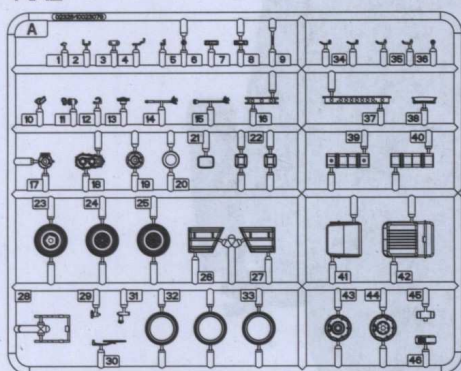
### DECAL APPLICATION

- 1.Cut decals from sheet as needed
- 2.Dip the decal in warm water for about 10 seconds and then place on soft clean cloth.
- 3.Hold the decal backing sheet edge and gently slide the decal onto the model in its proper position.

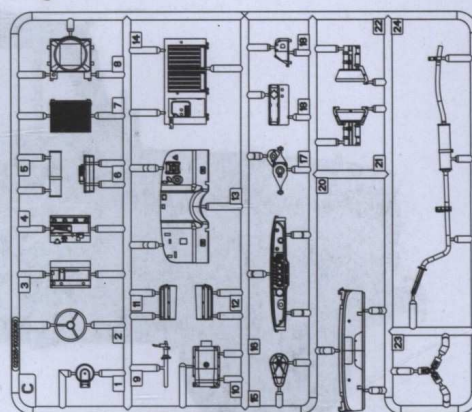
- 4.While still wet,decal can be adjusted for better fit on model by dampening it gently with your finger.
- 5.When placed in the proper position,gently press decal down with a soft cloth until excess water and air bubbles are gone.
- 6.Allow decal to dry completely before handling model

部品图 Parts

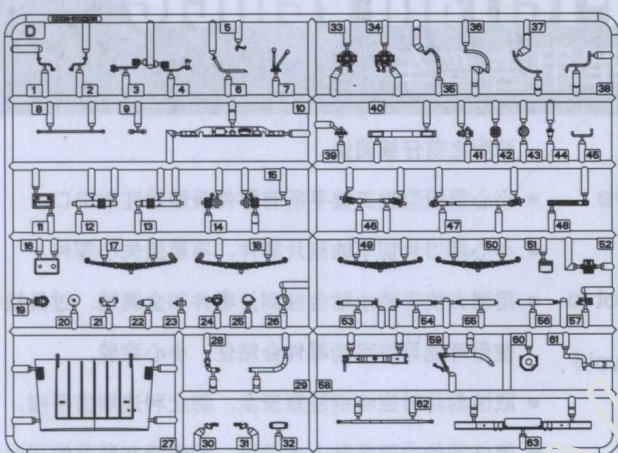
AX2



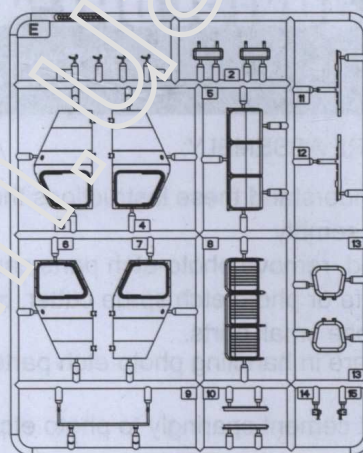
C



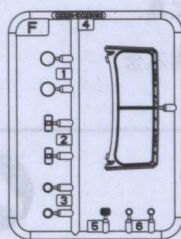
D



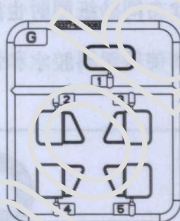
E



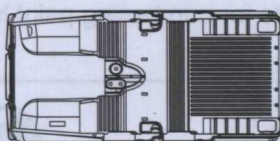
F



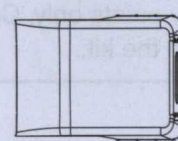
G



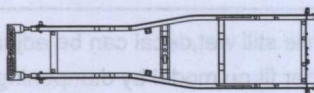
《车体》  
body



《帆布篷》  
Canvas cover



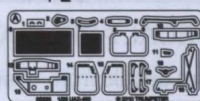
《车架》  
Frame



《轮胎》X5  
Tyre



《蚀刻片A》  
PE

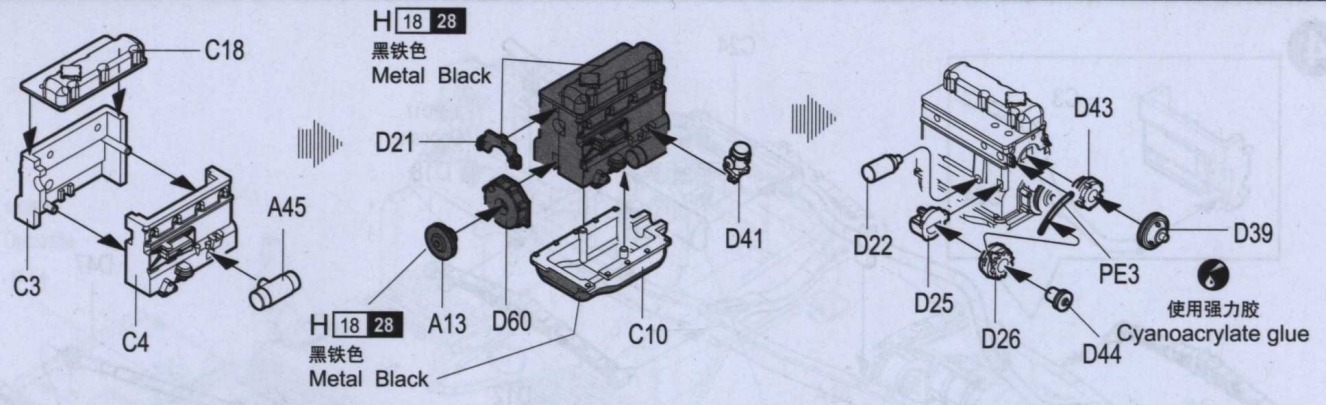


《水贴》  
Canvas over

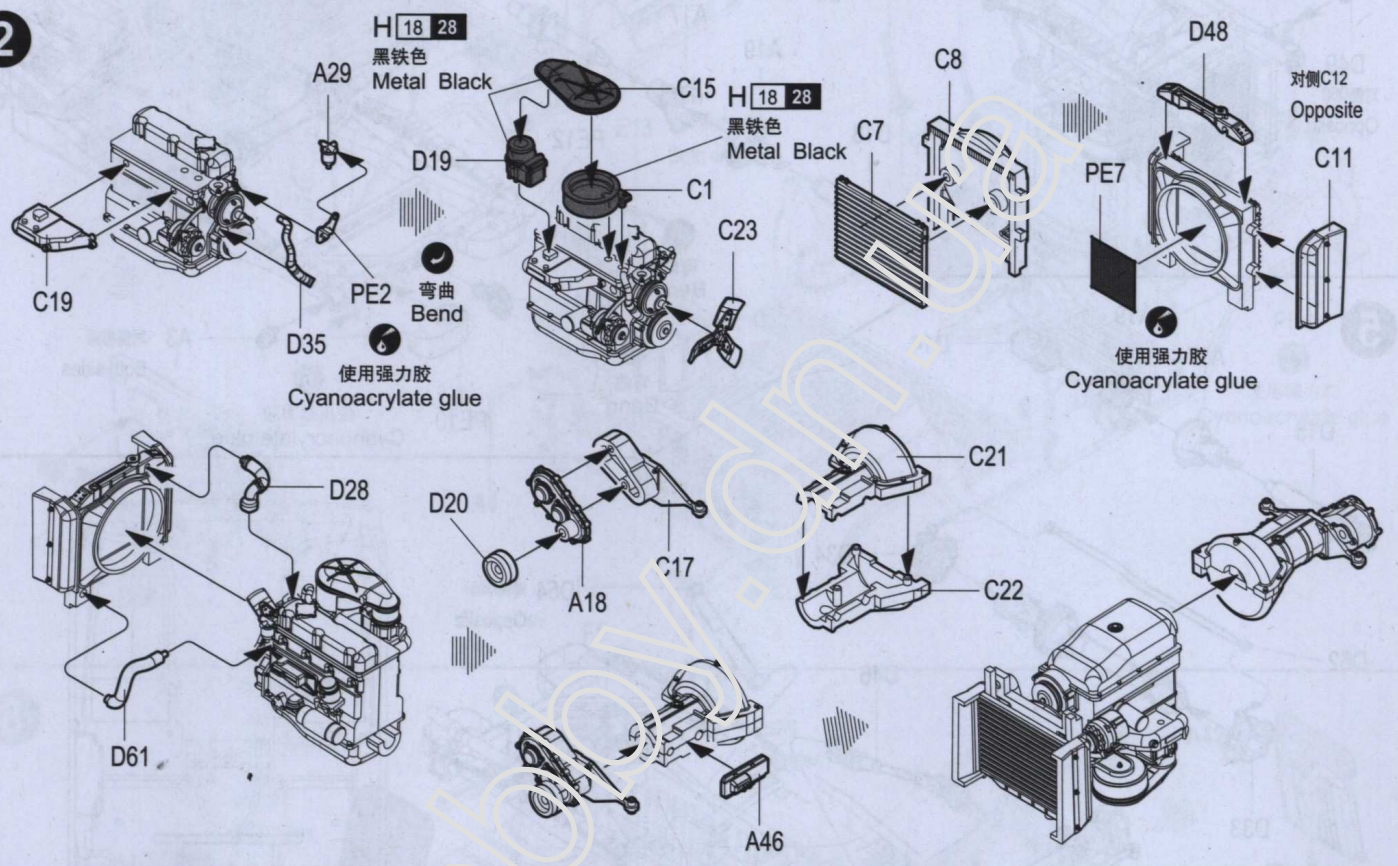


02327 1/35  
Soviet UAZ-469 All-Terrain Vehicle

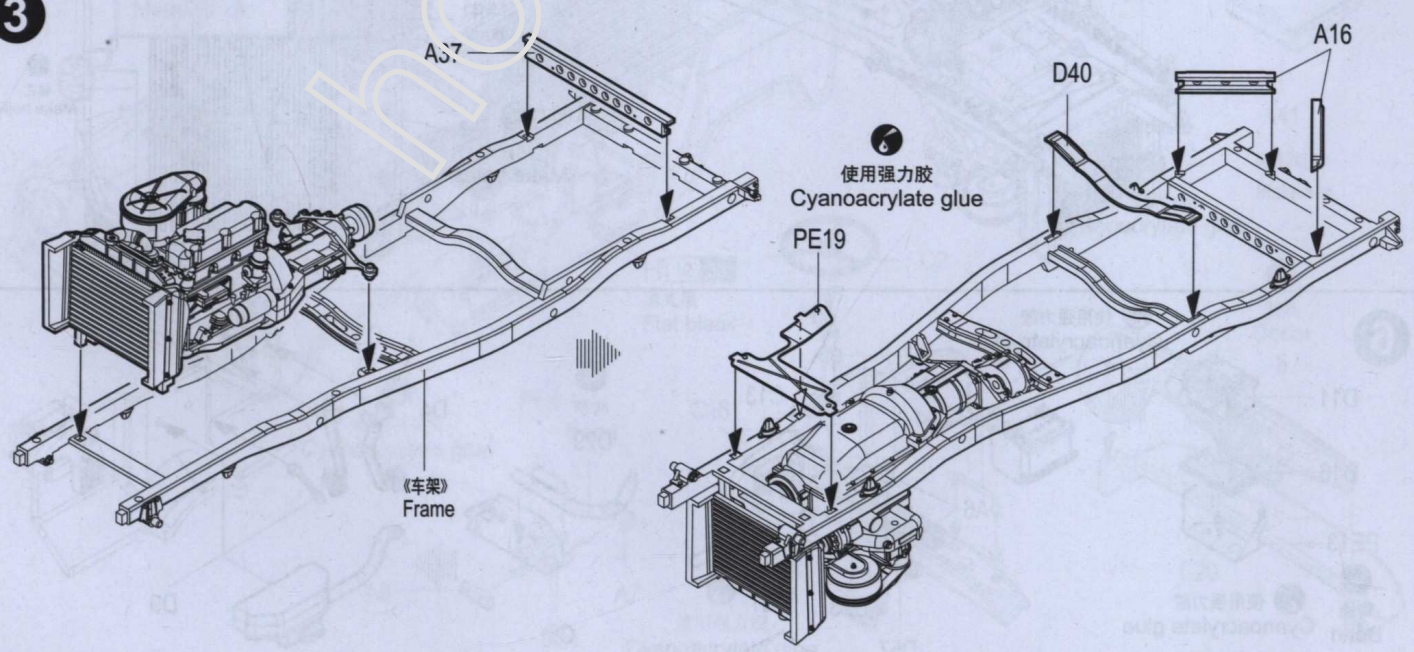
1



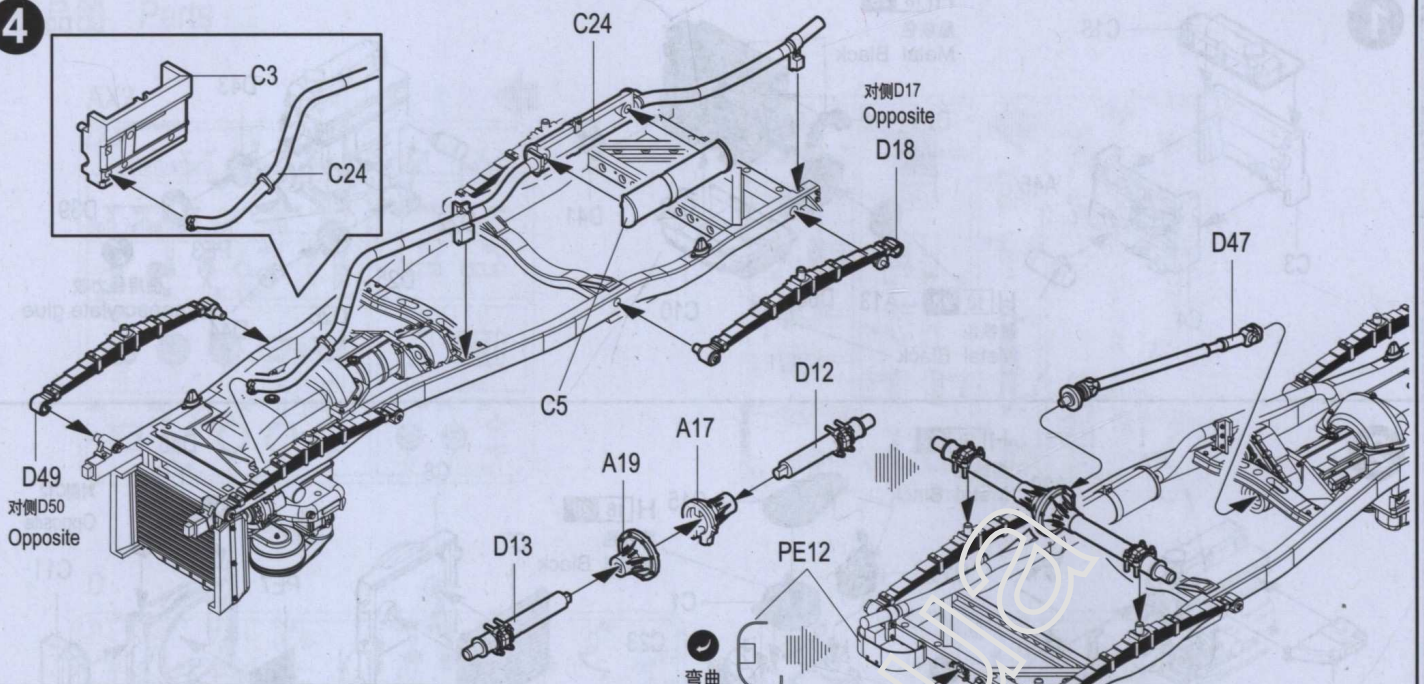
2



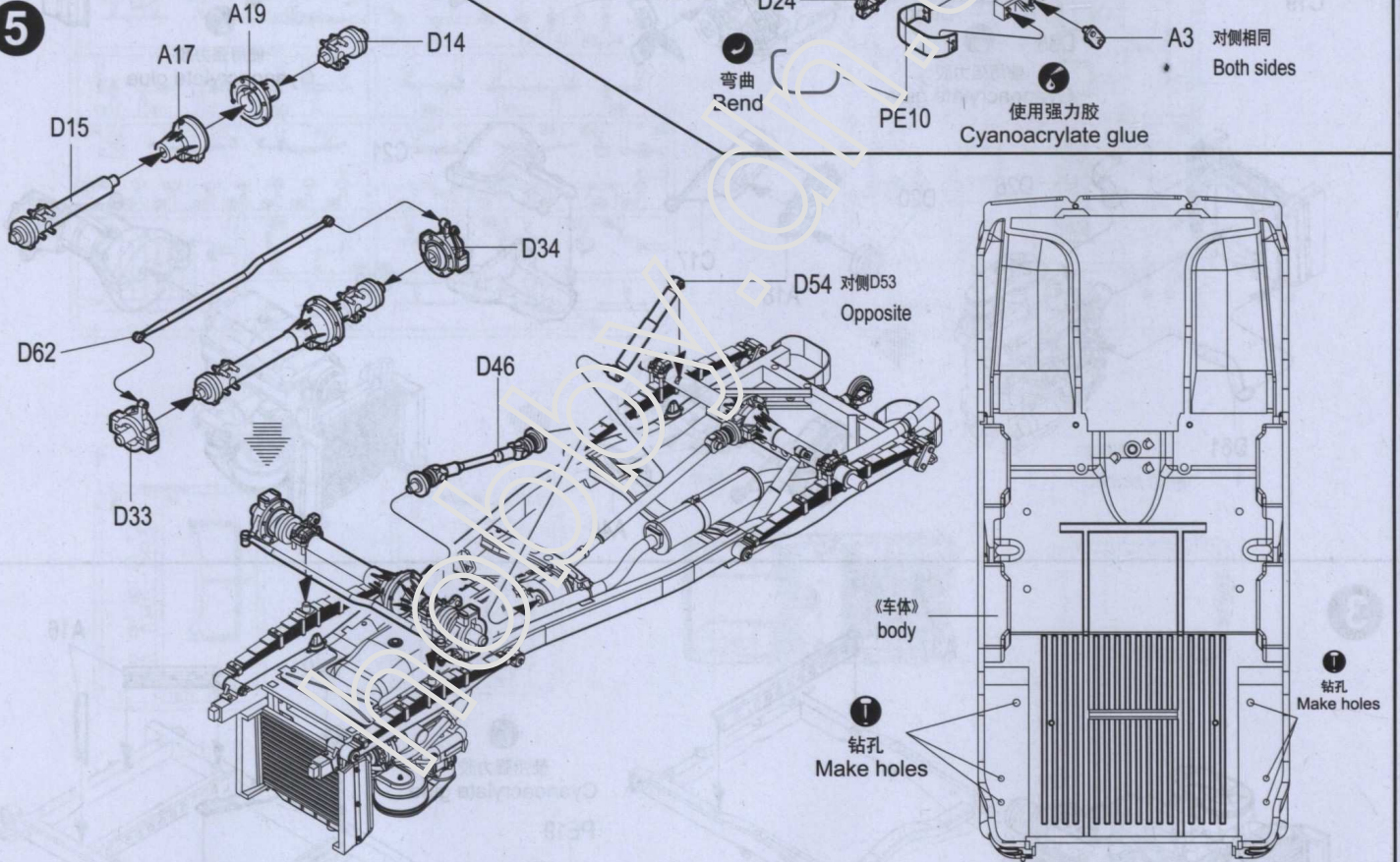
3



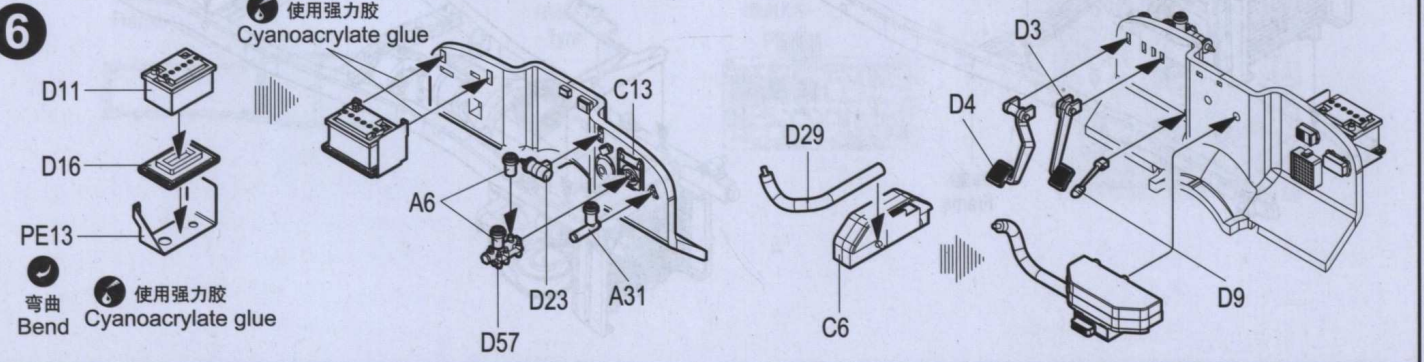
4



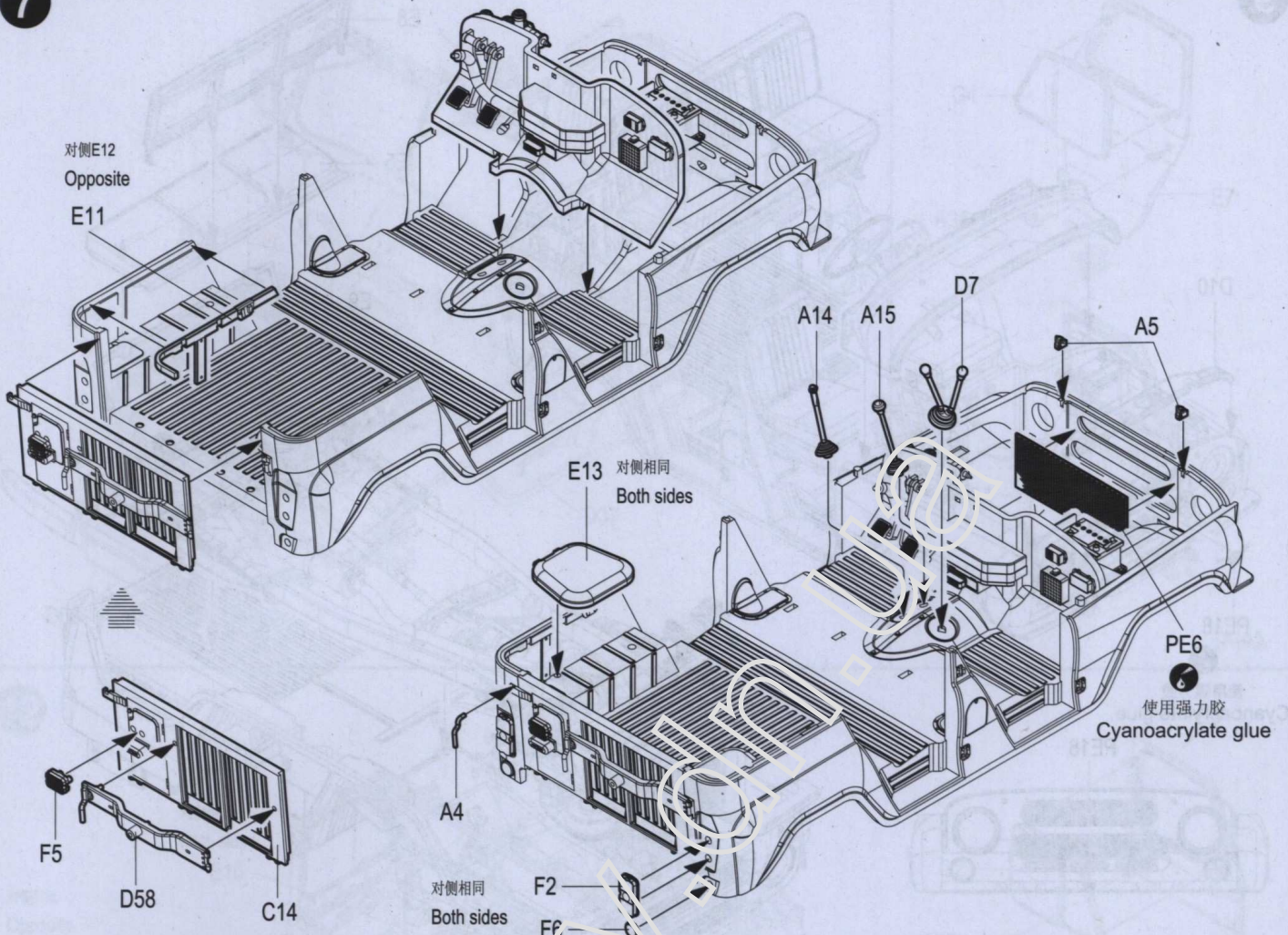
5



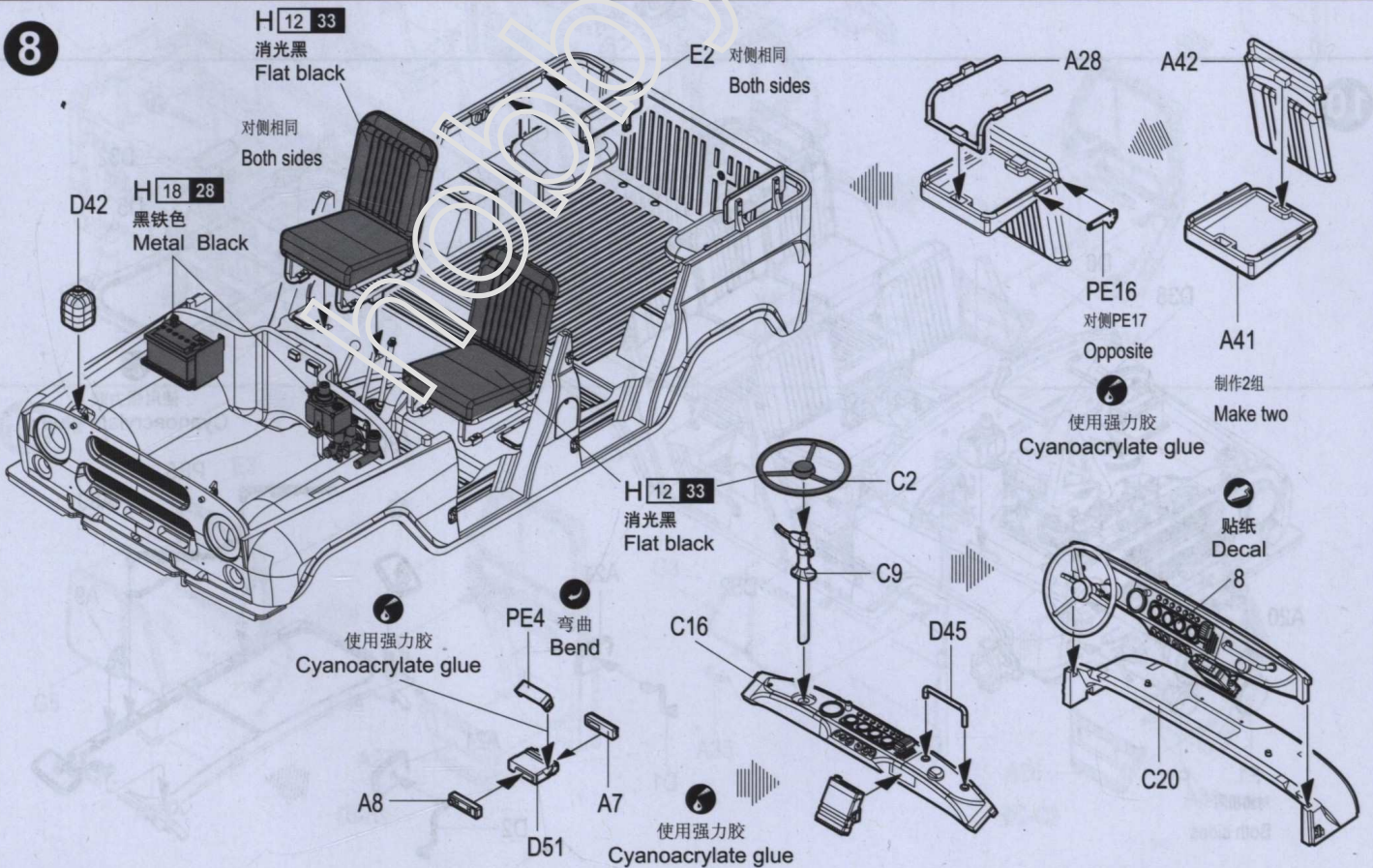
6



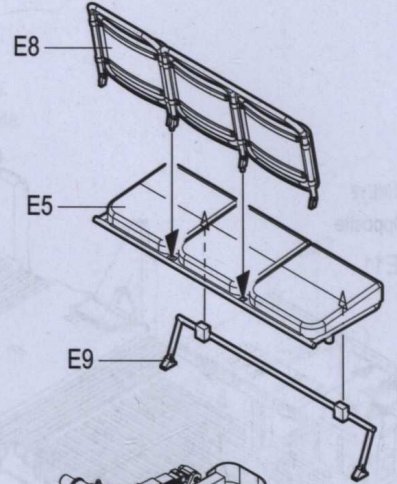
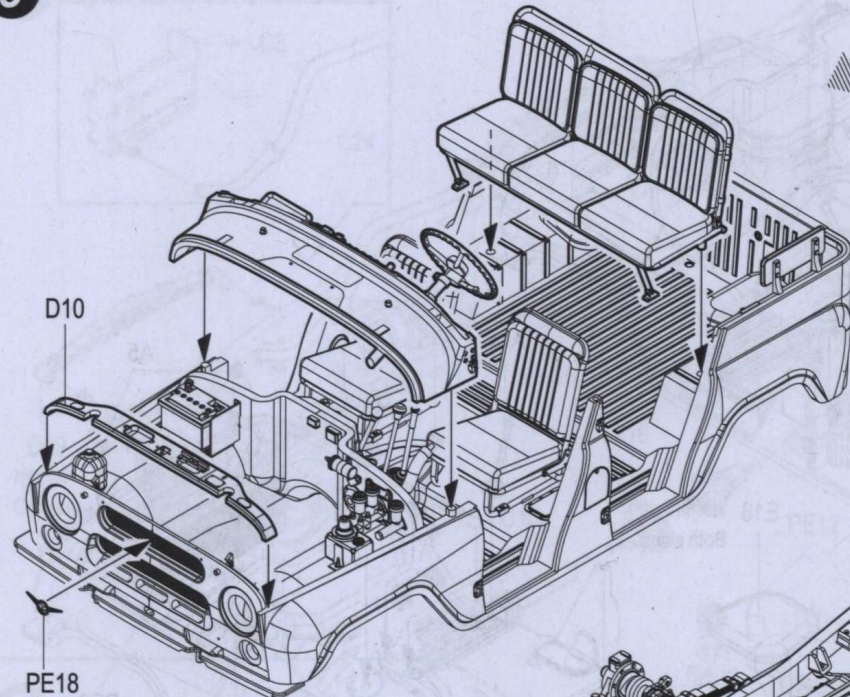
7



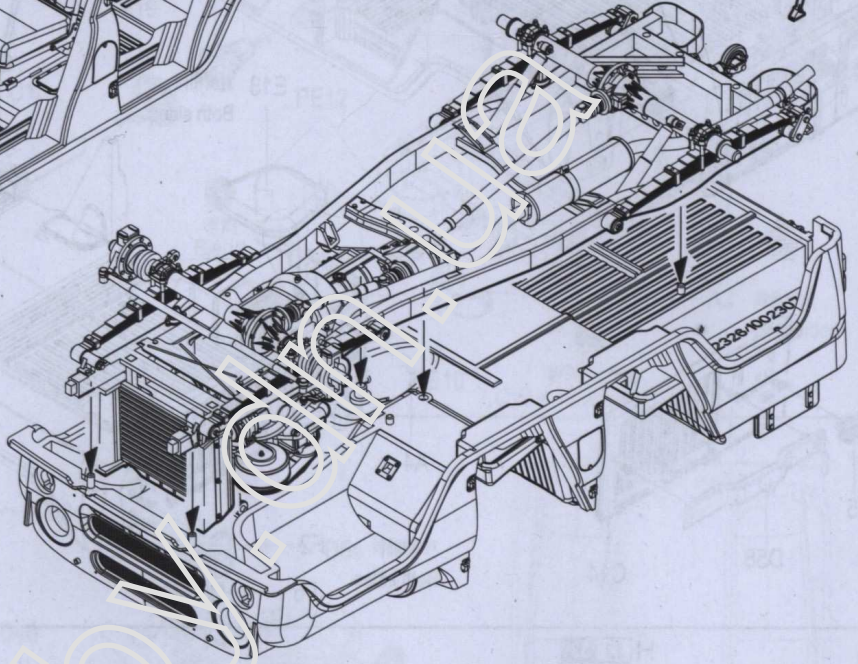
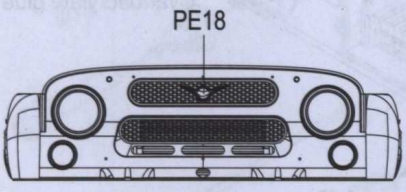
8



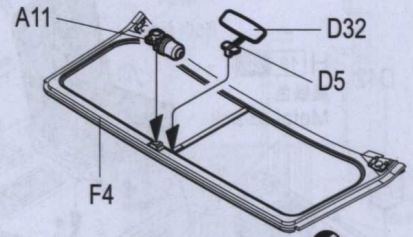
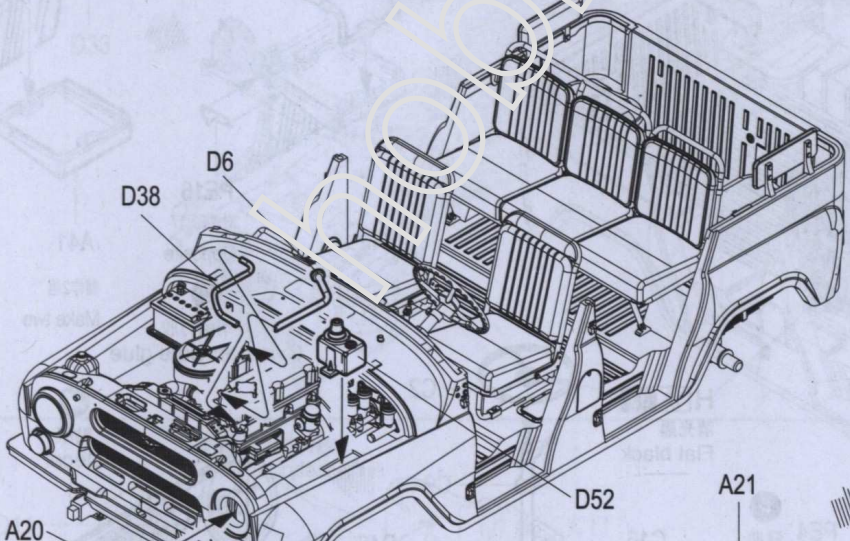
9



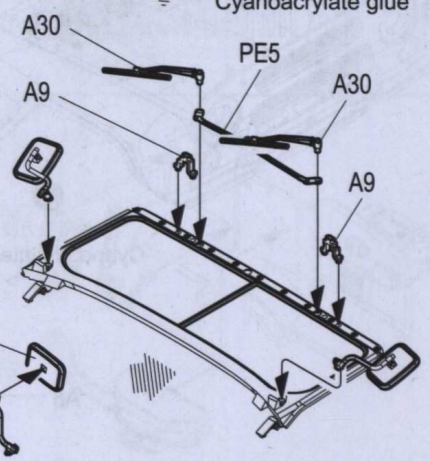
使用强力胶  
Cyanoacrylate glue



10

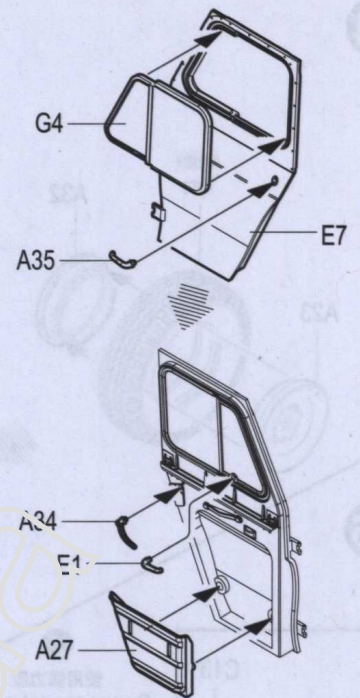
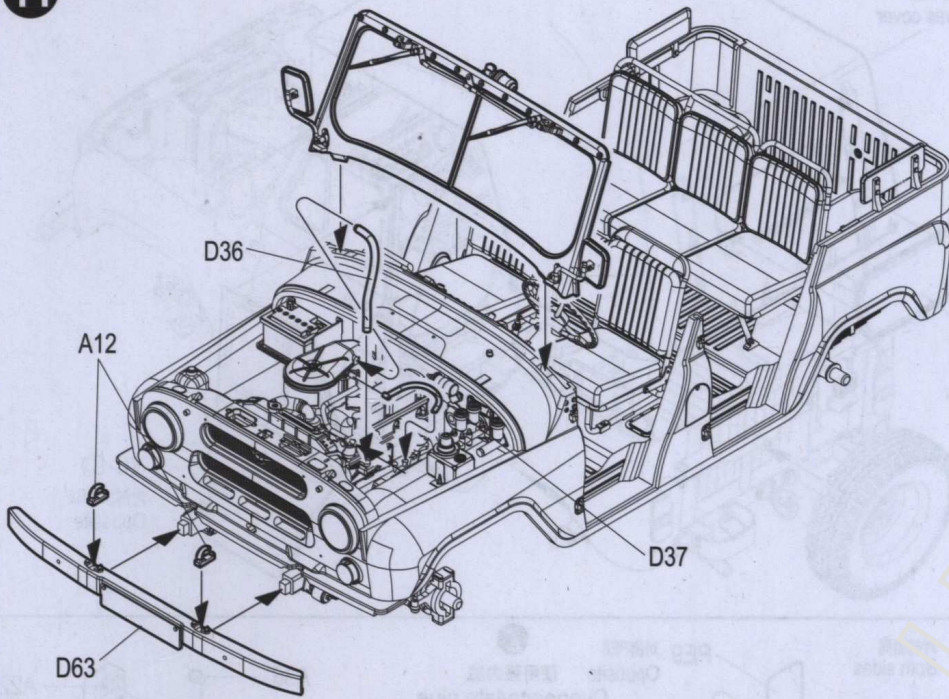


使用强力胶  
Cyanoacrylate glue



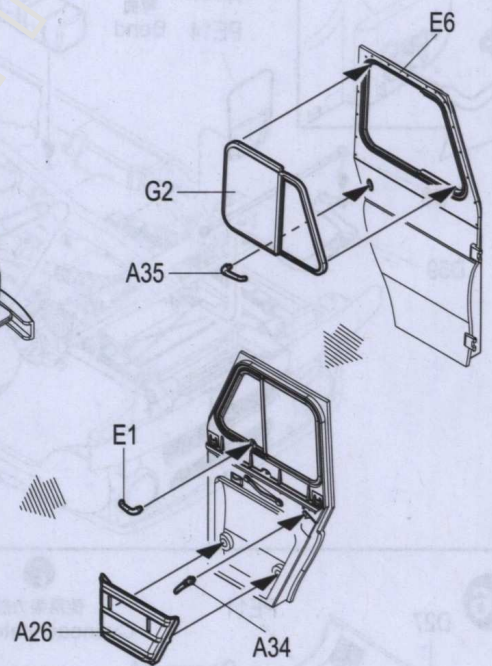
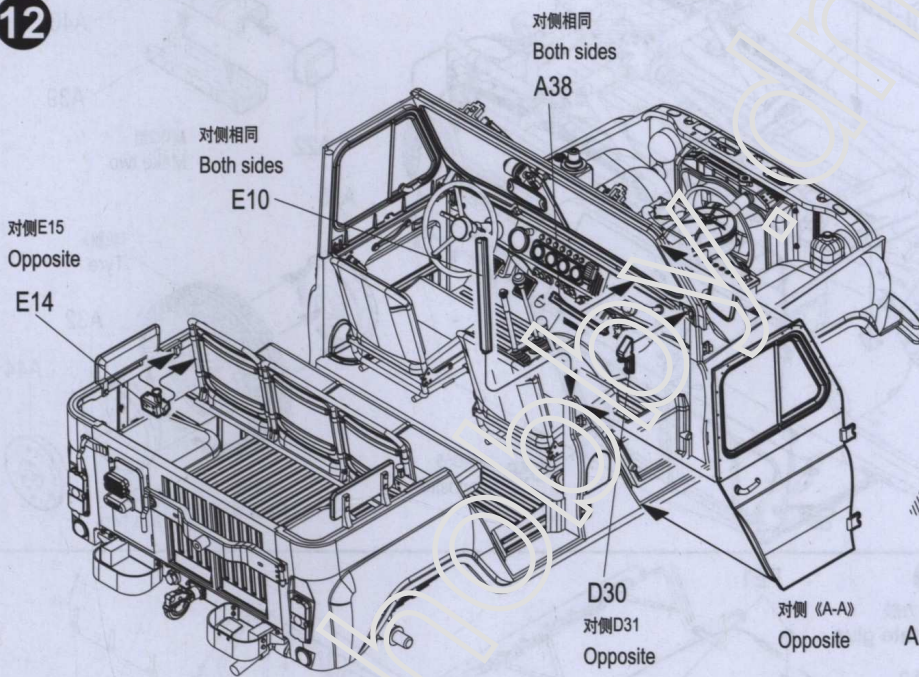
对侧相同  
Both sides

11

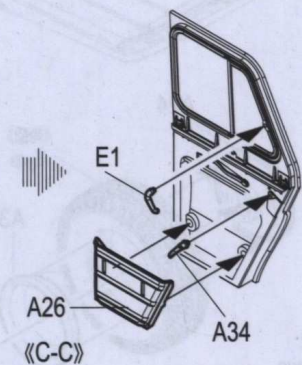
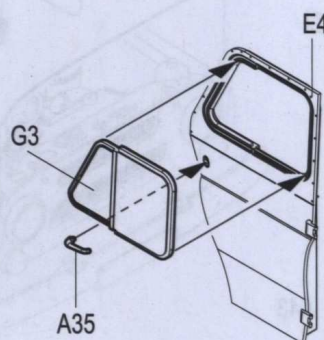
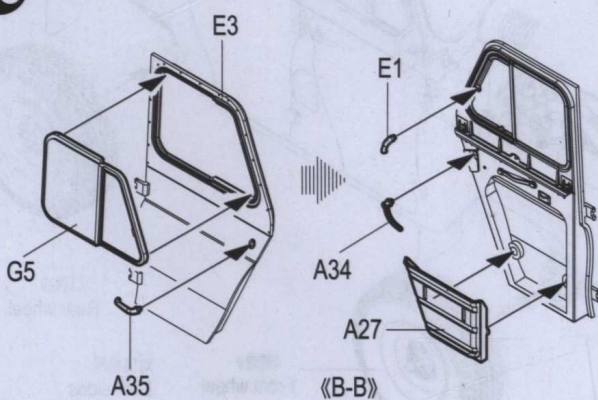


《A-A》

12



13



14

《帆布篷》  
Canvas cover

《轮胎》  
Tyre

A32

A23

G1

《C-C》  
对侧《B-B》  
Opposite

15

C13

使用强力胶  
Cyanoacrylate glue

对侧相同  
Both sides

PE9 对侧PE8  
Opposite

使用强力胶  
Cyanoacrylate glue

对侧PE15  
Opposite  
PE14

弯曲  
Bend

A36

A22

A40

A39

制作2组  
Make two

A22

A25

《轮胎》  
Tyre

A32

A44

《后轮》  
Rear wheel

制作2组  
Make two

16

D27

PE11

使用强力胶  
Cyanoacrylate glue

PE1

A24

《轮胎》  
Tyre

A32

A43

制作2组  
Make two

《前轮》  
Front wheel

《后轮》  
Rear wheel

《前轮》  
Front wheel

对侧相同  
Both sides



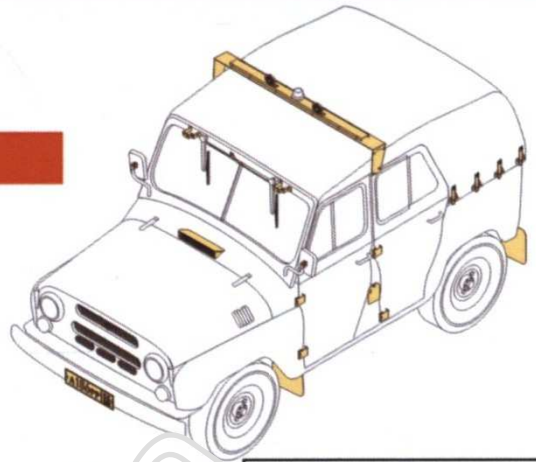
1/35 MILITARY MINIATURE VEHICLE UPGRADE SERIES PE35562







# Modern Soviet UAZ-469 All-Terrain Vehicle

## 现代苏联UAZ-469军用吉普车改造件

[For TRUMPETER 02327]

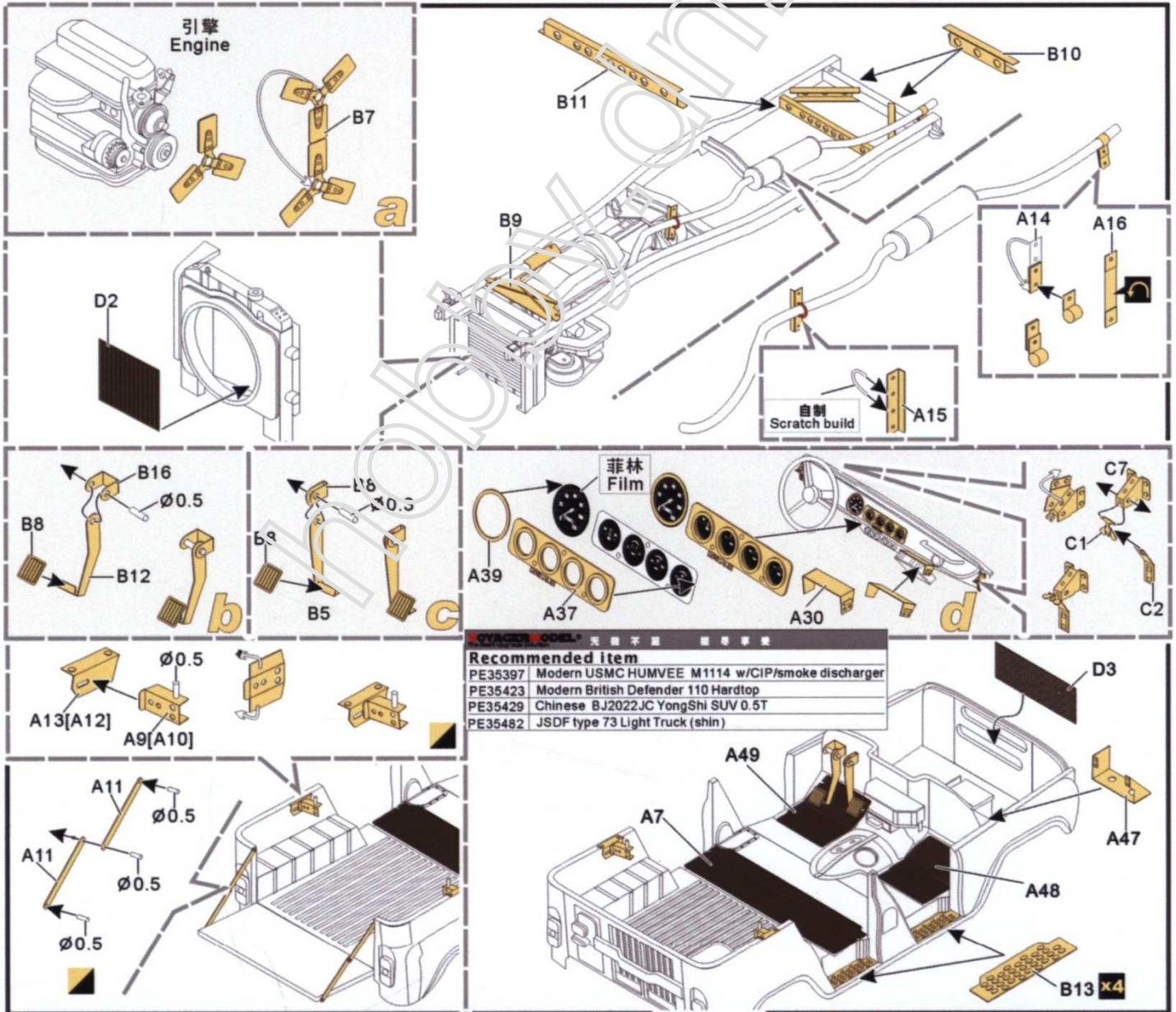
### 推荐使用工具 RECOMMENDED TOOLS



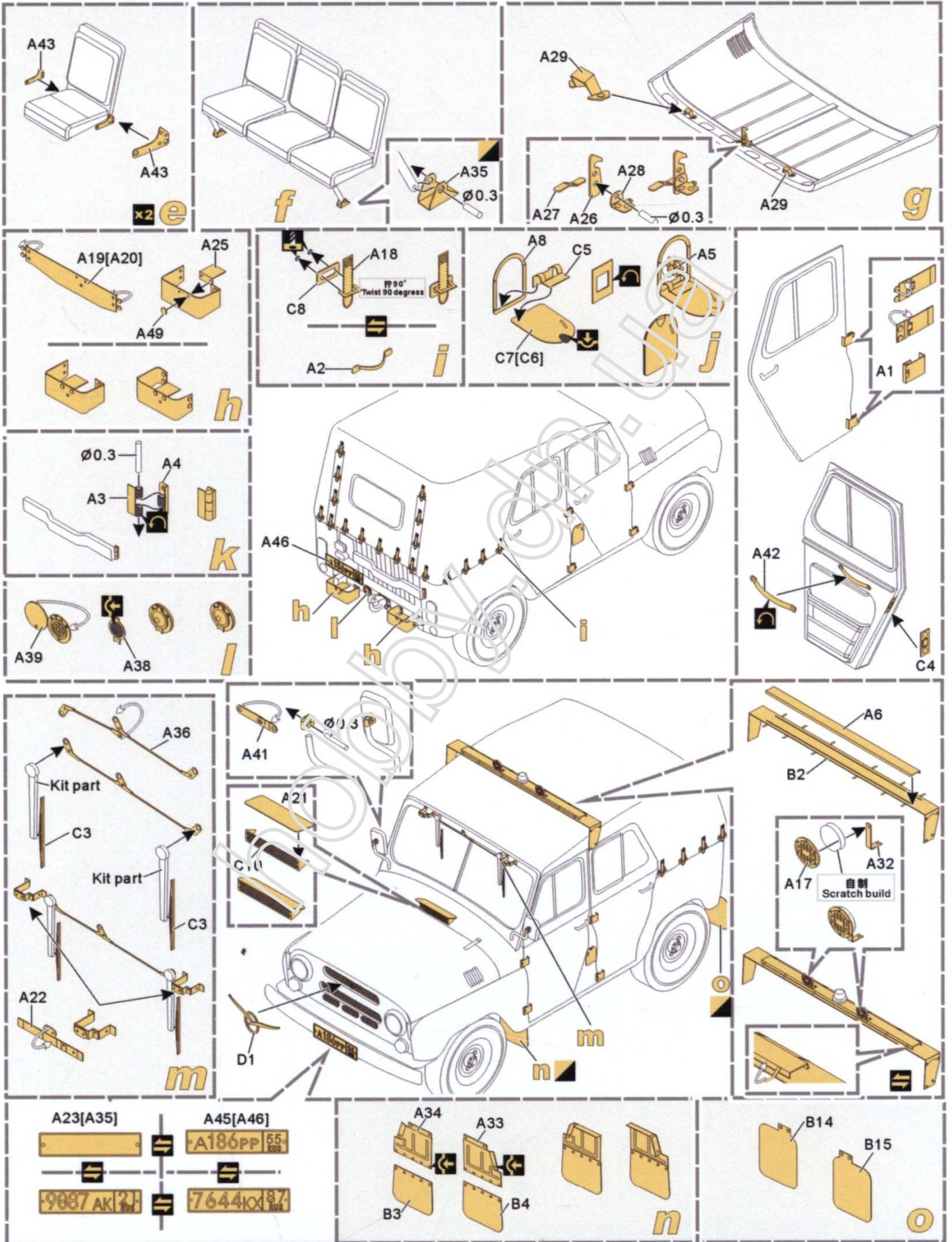
-   
**安装**  
install
-   
**折叠**  
bend
- A1**  
 改造件零件编号  
PE/resin part number
- B12**  
 原零件编号  
kit part number
- C22**  
 被替换的原零件编号  
replaced kit part number
-   
 另一侧相同制作  
repeat on opposite side
-   
**切除**  
remove
-   
**打磨**  
grind off
-   
**弧度卷曲**  
radial bending
- x2**  
 制作若干组  
multiple assembly
-   
**选择安装**  
alternative
-   
**钻孔**  
drill
-   
**注意**  
caution

  
**用尖端在凹槽处冲压**  
use penpoint to press on the dent

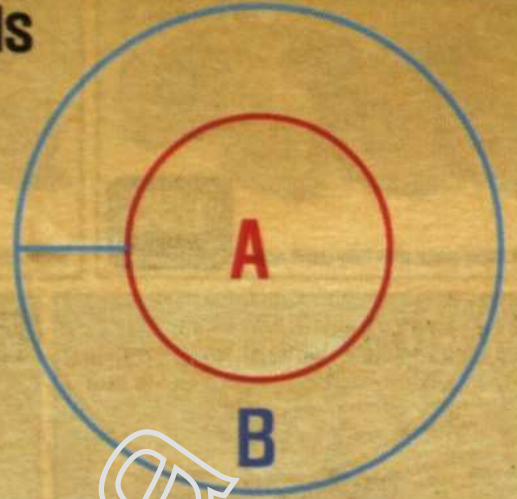
轴制片零件内朝面朝上  
Put the part upside down  
用笔尖在凹槽处压  
Use penpoint to press on the dent

1/35 MILITARY MINIATURE VEHICLE UPGRADE SERIES PE35562



Already cut to fit the your wheels



Use **A**

Use **B**



Paint the wheel, first

Paint the tire, first



Mask the wheel area using "A"  
and then, paint the tire

Mask the tire area using "B"  
Then, paint the wheel



Done!

Done!