



# Dewoitine D.500

## 1/32 SCALE MODEL CONSTRUCTION KIT

Ready to assemble scale models kit.

Contains part for one model.

Model length: 243 mm

Wingspan: 380 mm

Plastic parts: 86

Photoetched parts: 40

The Dewoitine D.500 was an all-metal, open-cockpit, fixed-undercarriage monoplane fighter aircraft designed and produced by French aircraft manufacturer Dewoitine.

Developed from a specification issued by the French Air Ministry during 1930, the D.500 was developed to be a more capable replacement to the Nieuport 62. Ordered by the French Air Force during November 1933 and introduced in its initial model during 1935, the design was developed into several variants, most notably the D.510, which was re-engined with the more powerful Hispano-Suiza 12Ycrs powerplant. It proved to be a relatively popular aircraft during the Interwar period.

First production version D.500 with a 515 kW (691 hp) Hispano-Suiza 12Xbrs engine and was armed with 2 × 7.7 mm (.303 in) Vickers machine guns or 2 × 7.5 mm (.295 in) Darne machine guns in the nose, provision for 2 × additional Darnes in the wings. 101 built.

Color Chart		MR. HOBBY	Tamiya	AMMO MIG	Hataka	LIFECOLOR
Black	<b>A</b>	C33/H12	XF-1	MIG-046	HTK-100	LC02
Silver	<b>B</b>	C8/H8	X-32	MIG-195	HTK-B003	LC 74
Aluminium	<b>C</b>	MC 218	XF-16	MIG-194	HTK-078	LC 24
Gun metal	<b>D</b>	C78/H28	X-10	MIG-045	HTK-106	LC 26
Rubber black	<b>E</b>	C137/H77	XF-85	MIG-035	-	UA 733
Tan	<b>F</b>	C44/H27	XF-55	MIG-202	HTK-187	LC 15
Clear red	<b>G</b>	C47/H90	XF-27	MIG-093	-	-
Clear green	<b>H</b>	C138/H94	XF-25	MIG-092	-	-
Burnt iron	<b>I</b>	C61/H76	XF-84	MIG-187	-	LC 37
Signal red	<b>J</b>	C79/H11	XF-2	MIG-049	HTK-103	LC 56
Inter mediate blue	<b>K</b>	C366/H56	AS-19	MIG-228	HTK-027	UA 45

### USED SYMBOLS



CEMENT



DON'T CEMENT



REMOVE



SYMMETRICAL



MULTIPLE



BEND



OPEN WHOLE

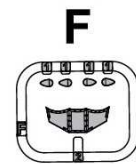
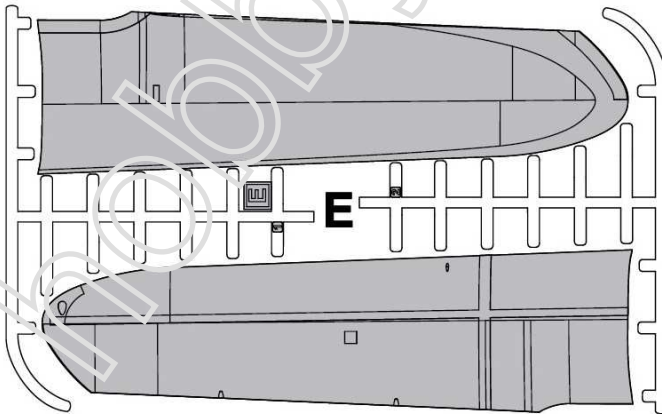
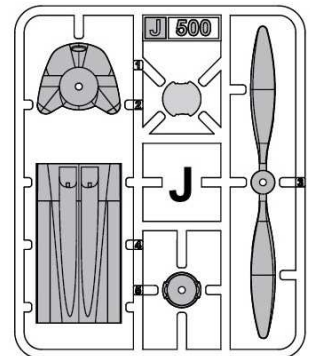
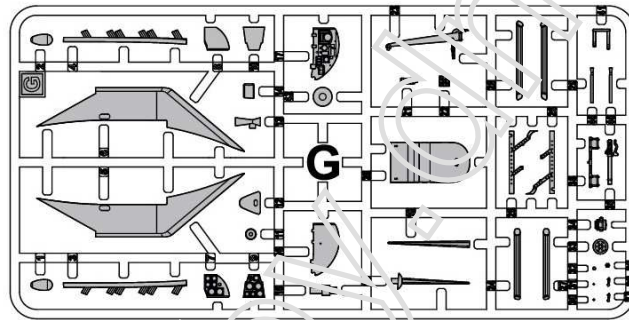
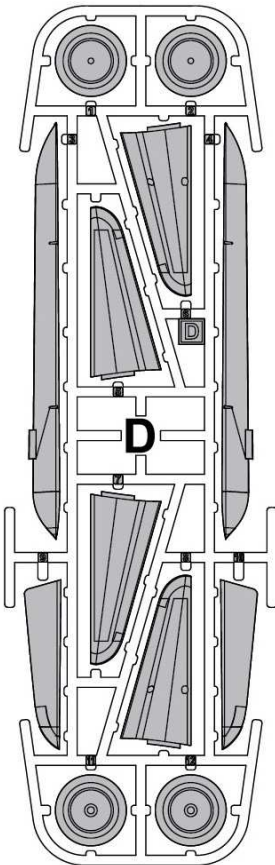
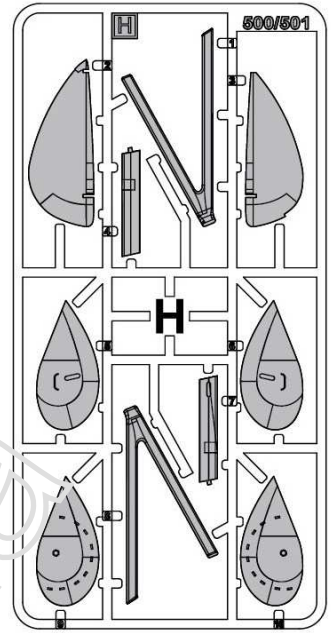
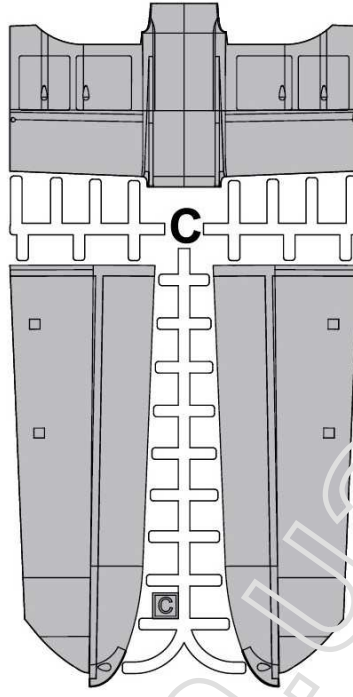
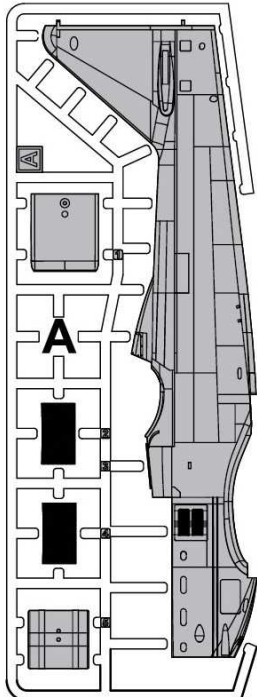
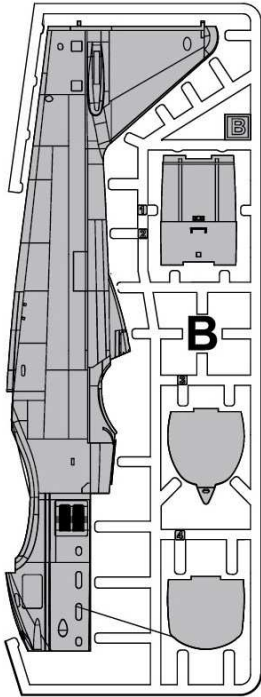


VARIANTS

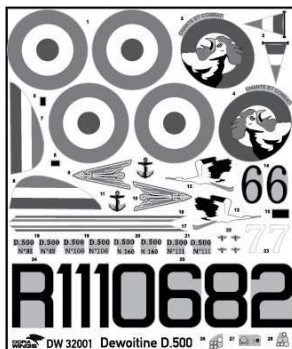
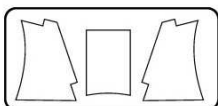


TO PAINT

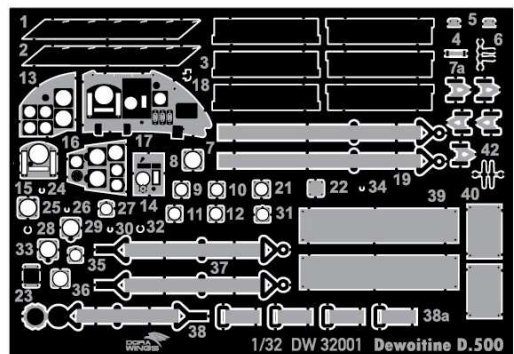
# PARTS OF THE MODEL



Mask



Decal

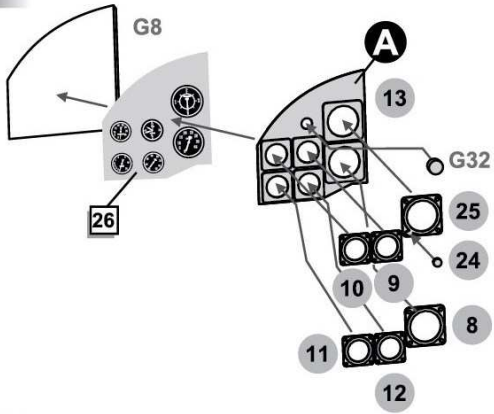


PE

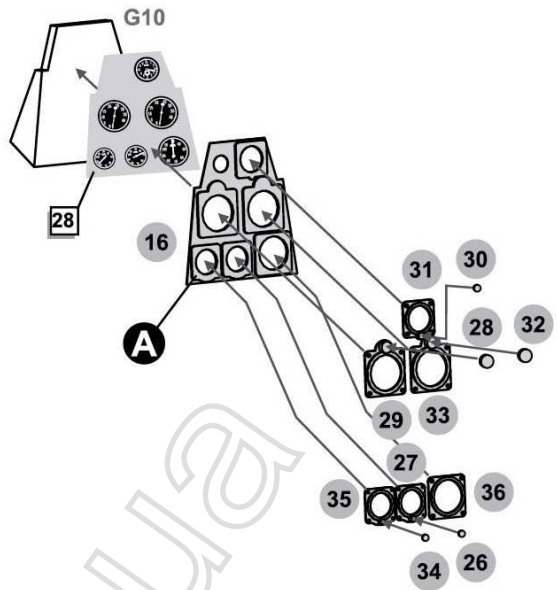


# ASSEMBLY INSTRUCTION

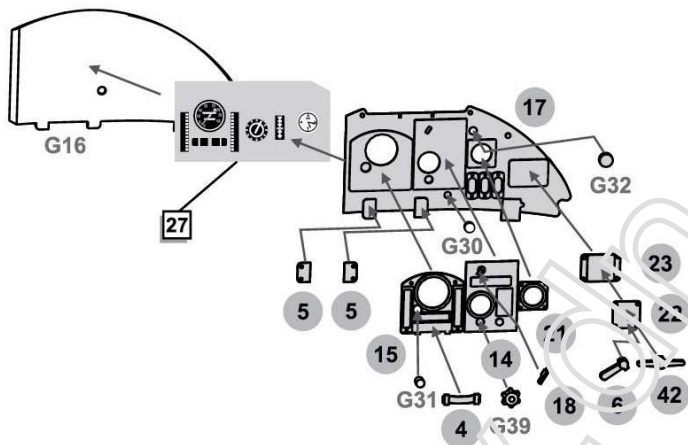
1



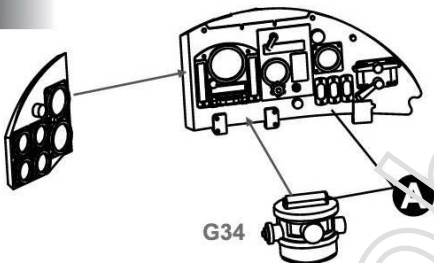
2



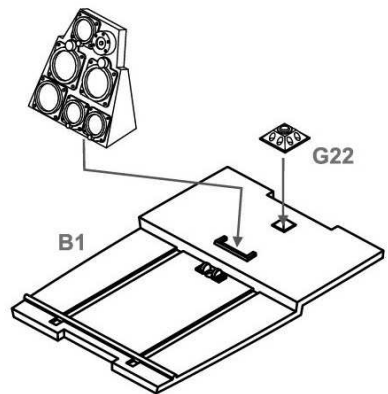
3



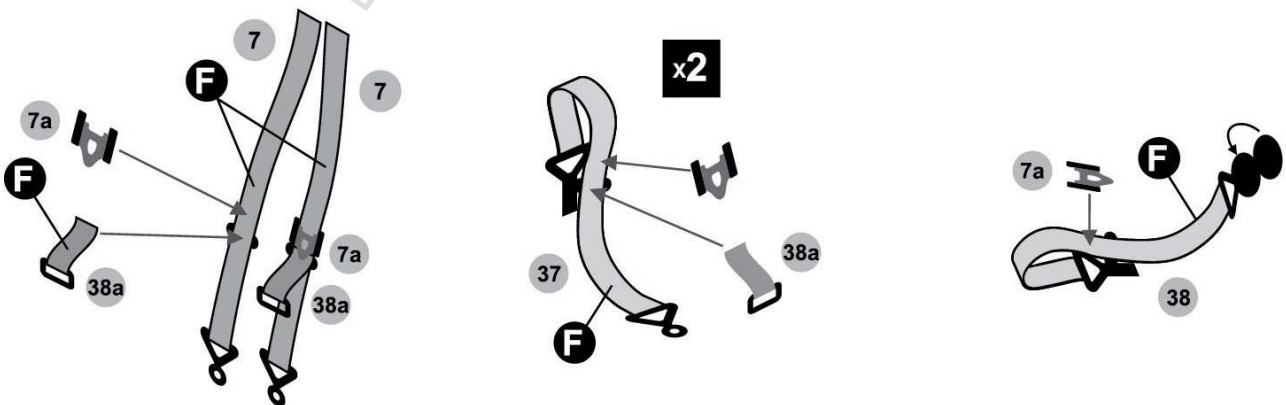
4



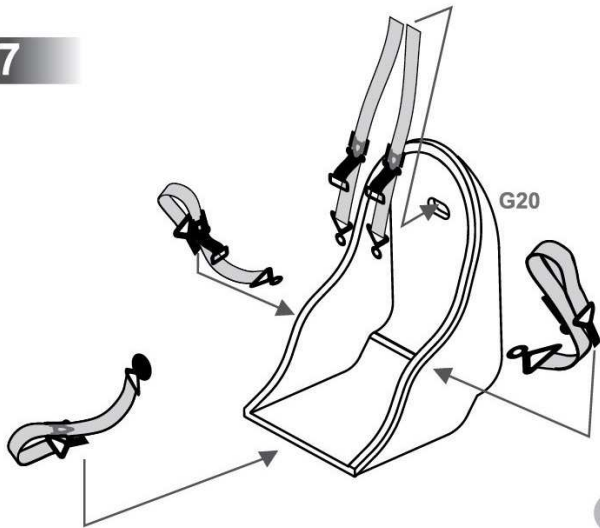
5



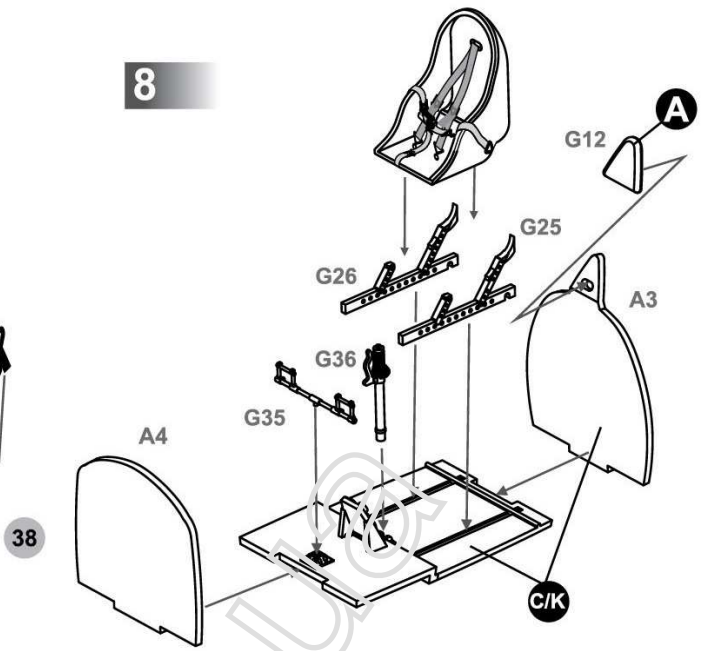
6



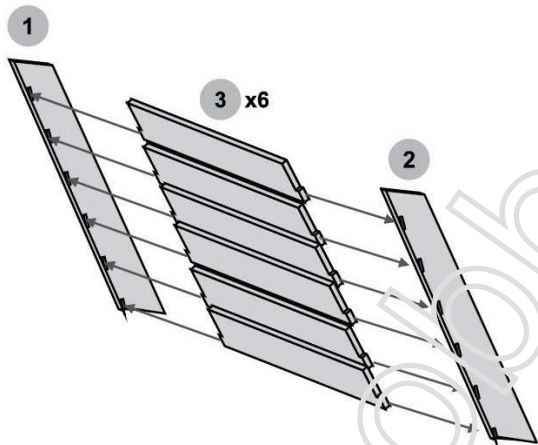
7



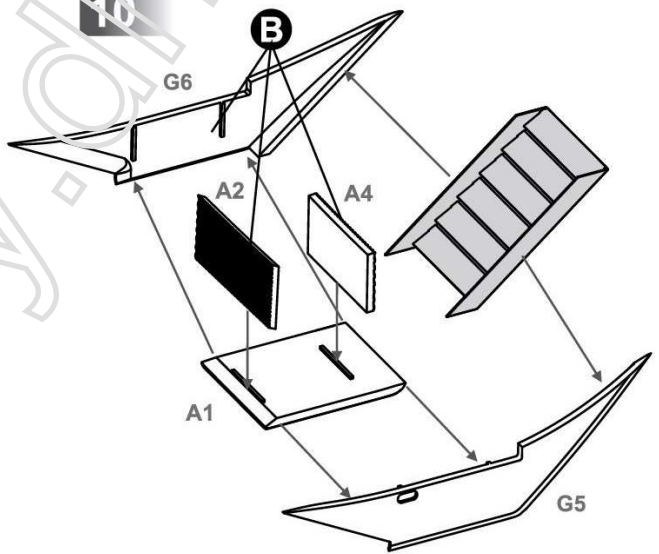
8



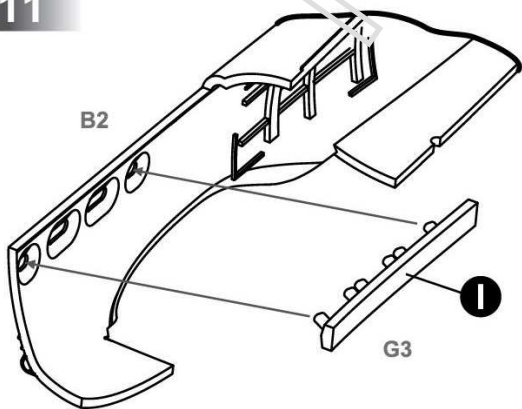
9



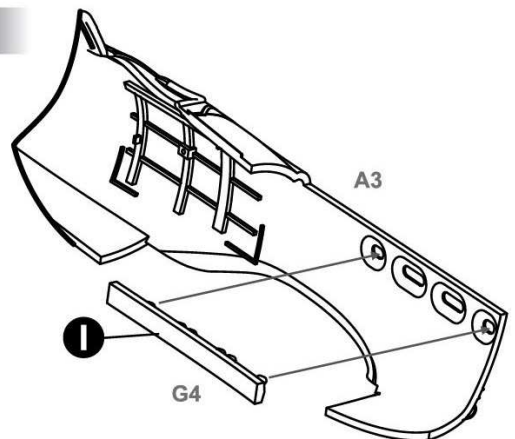
10



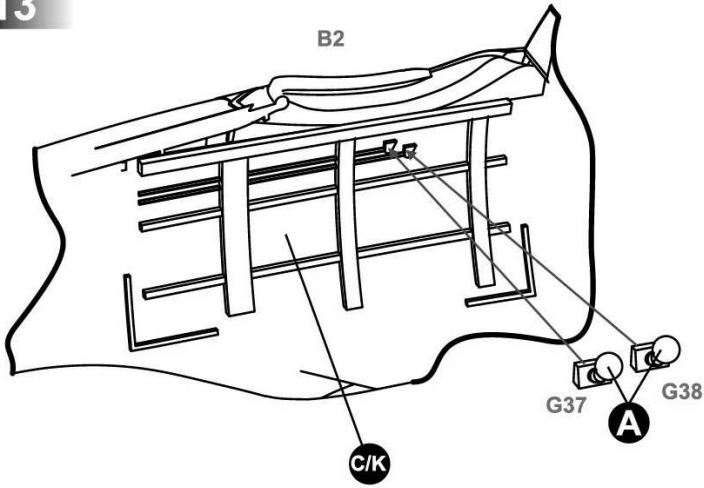
11



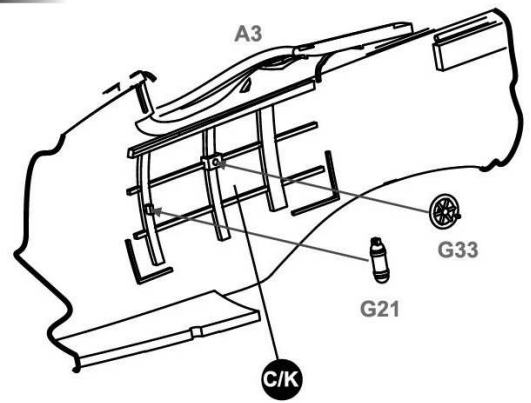
12



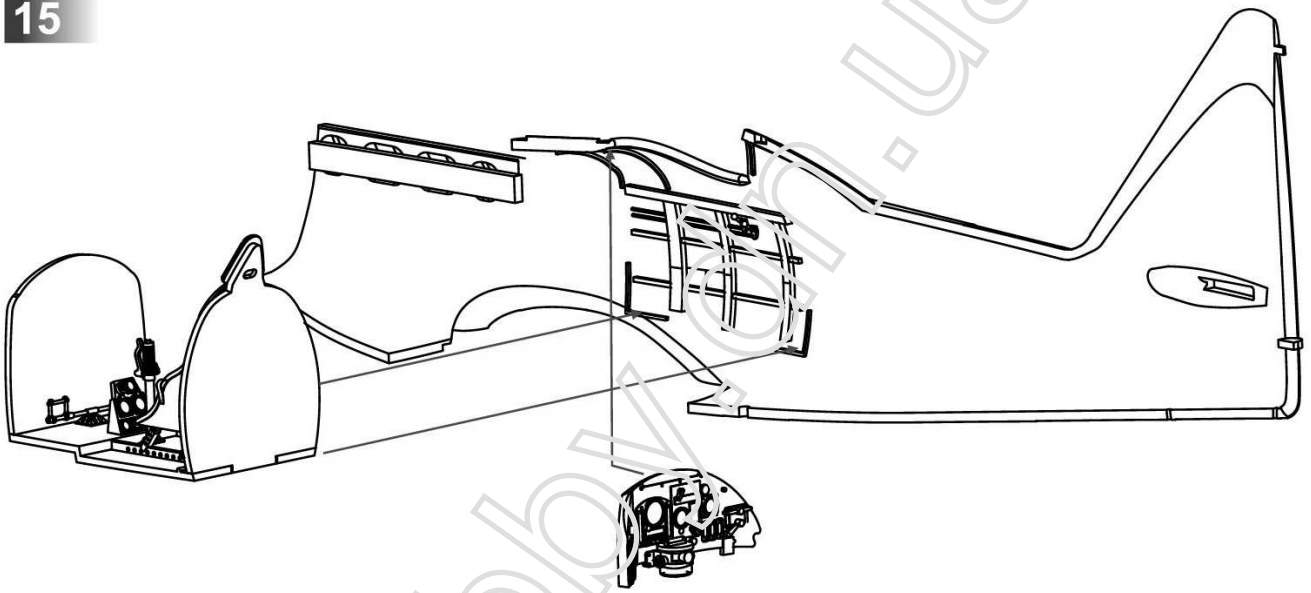
13



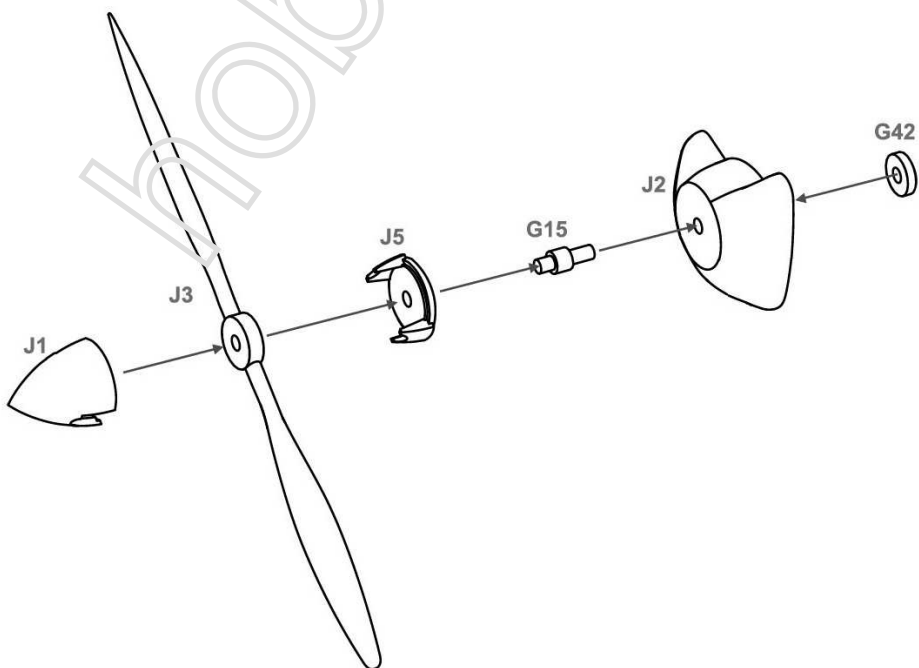
14



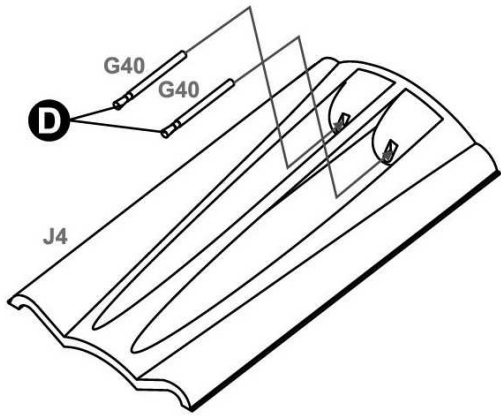
15



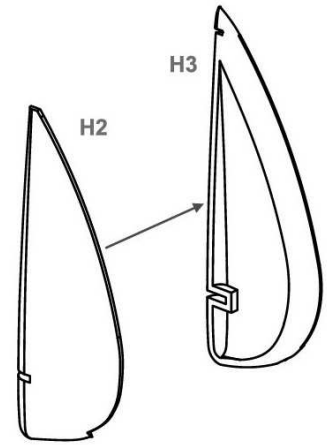
16



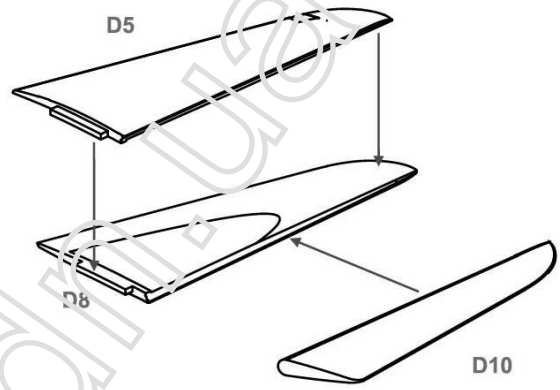
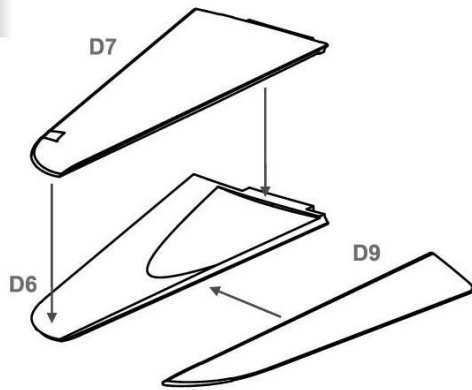
17



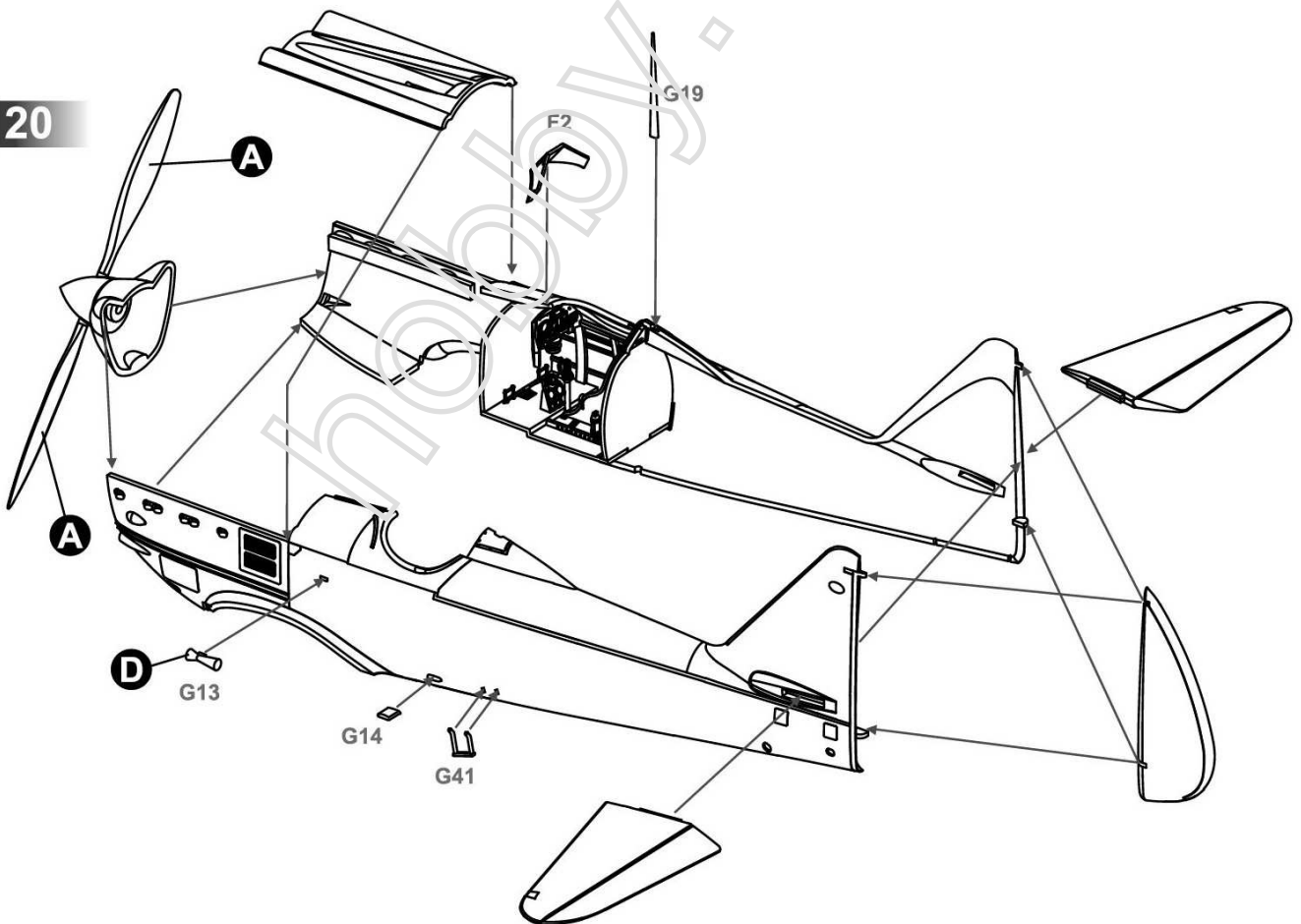
18



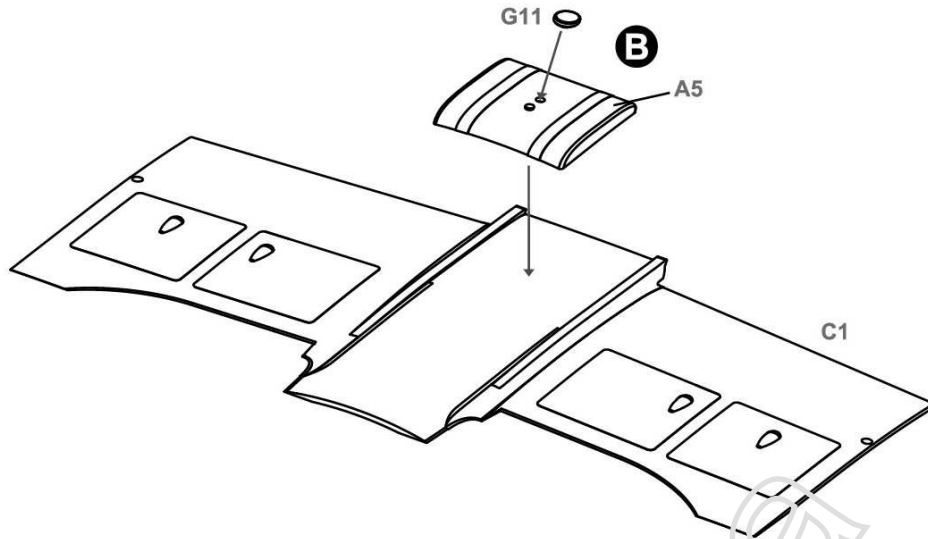
19



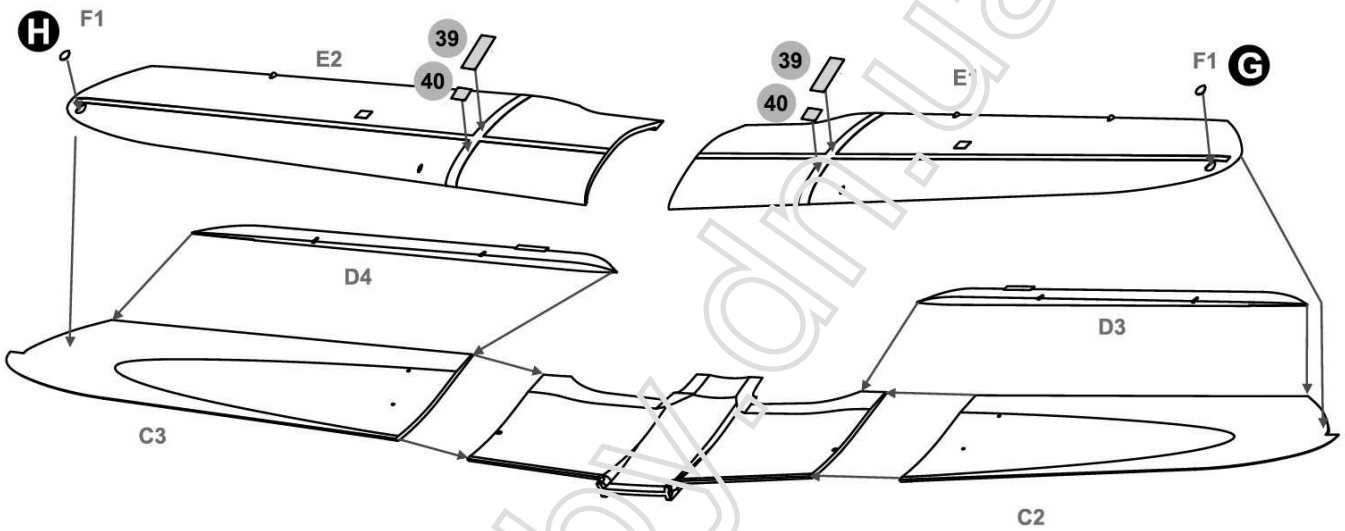
20



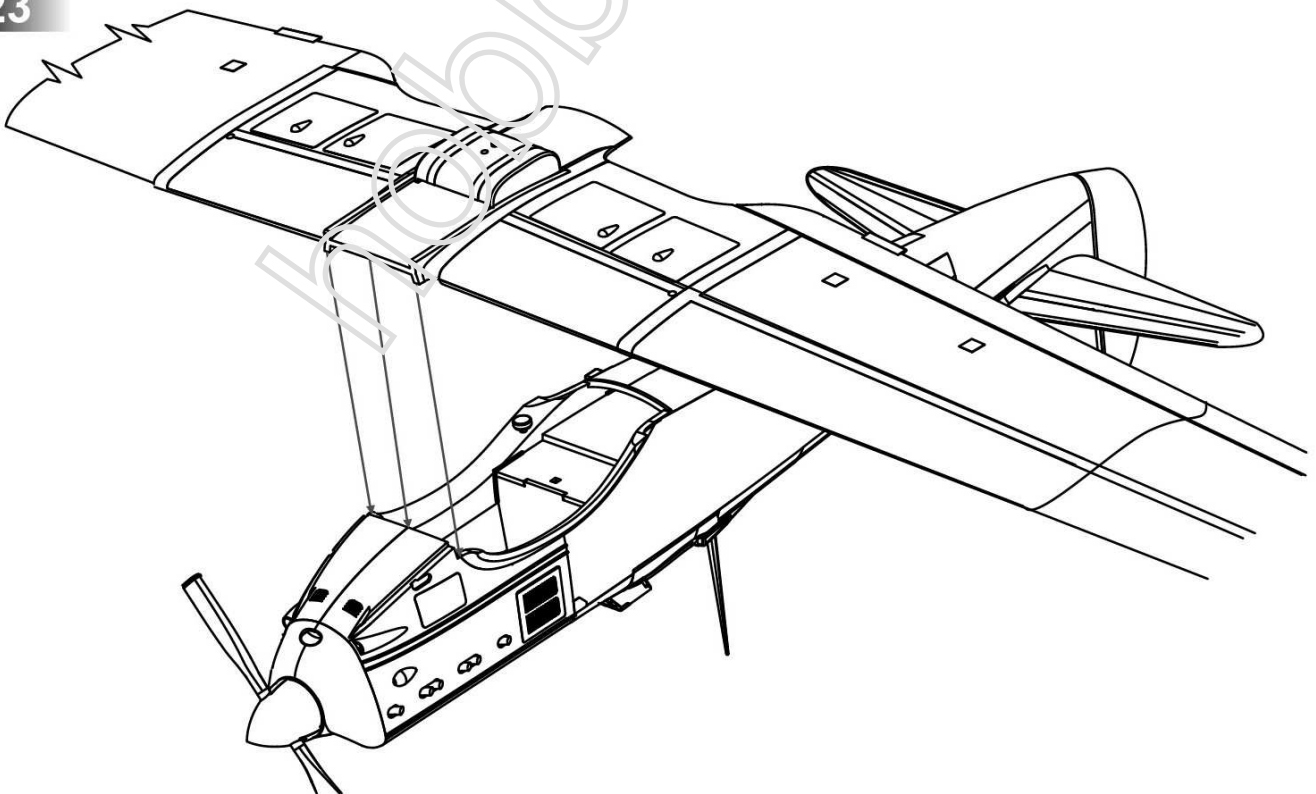
21



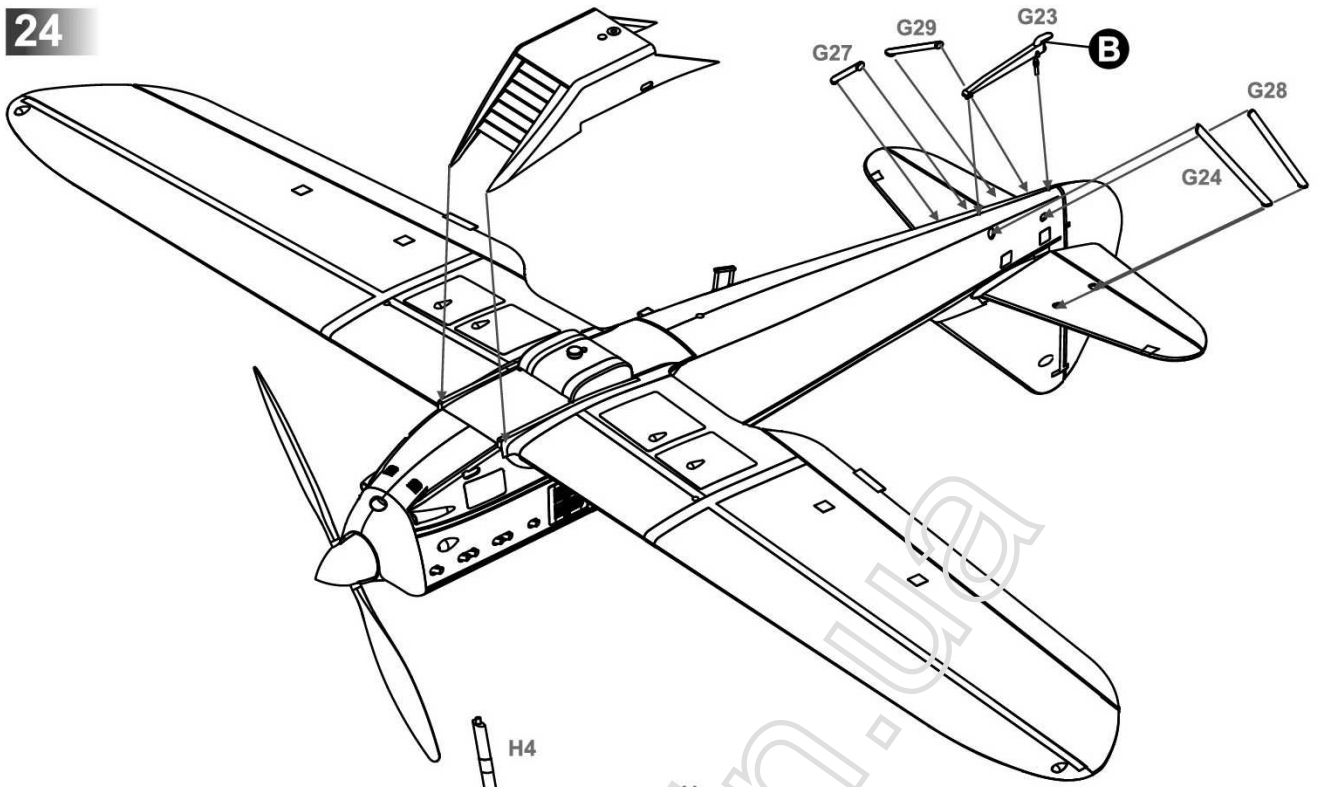
22



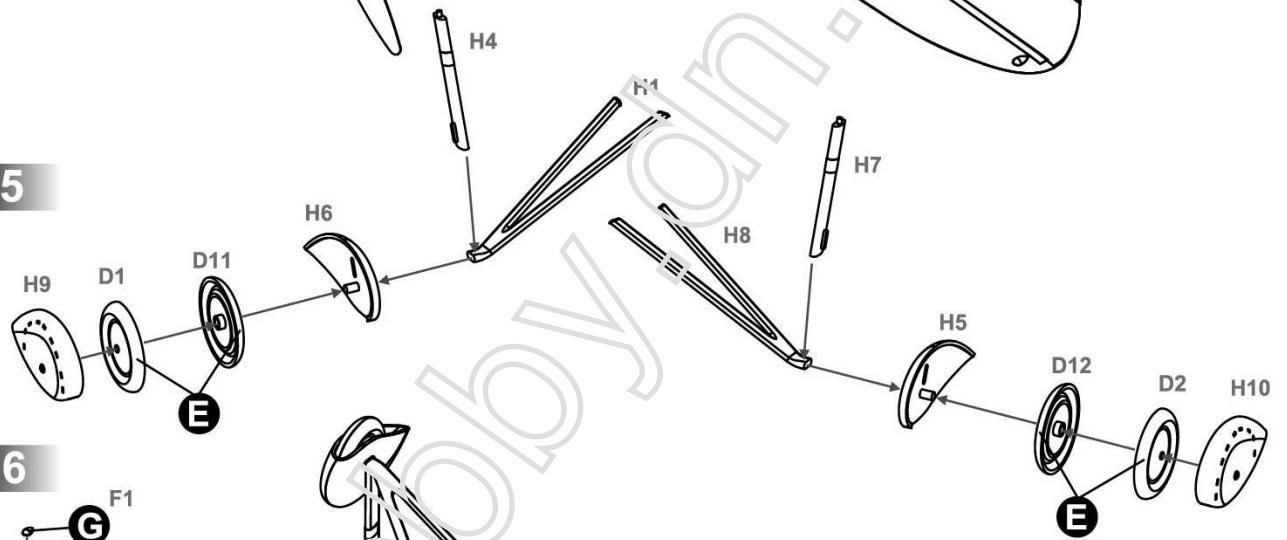
23



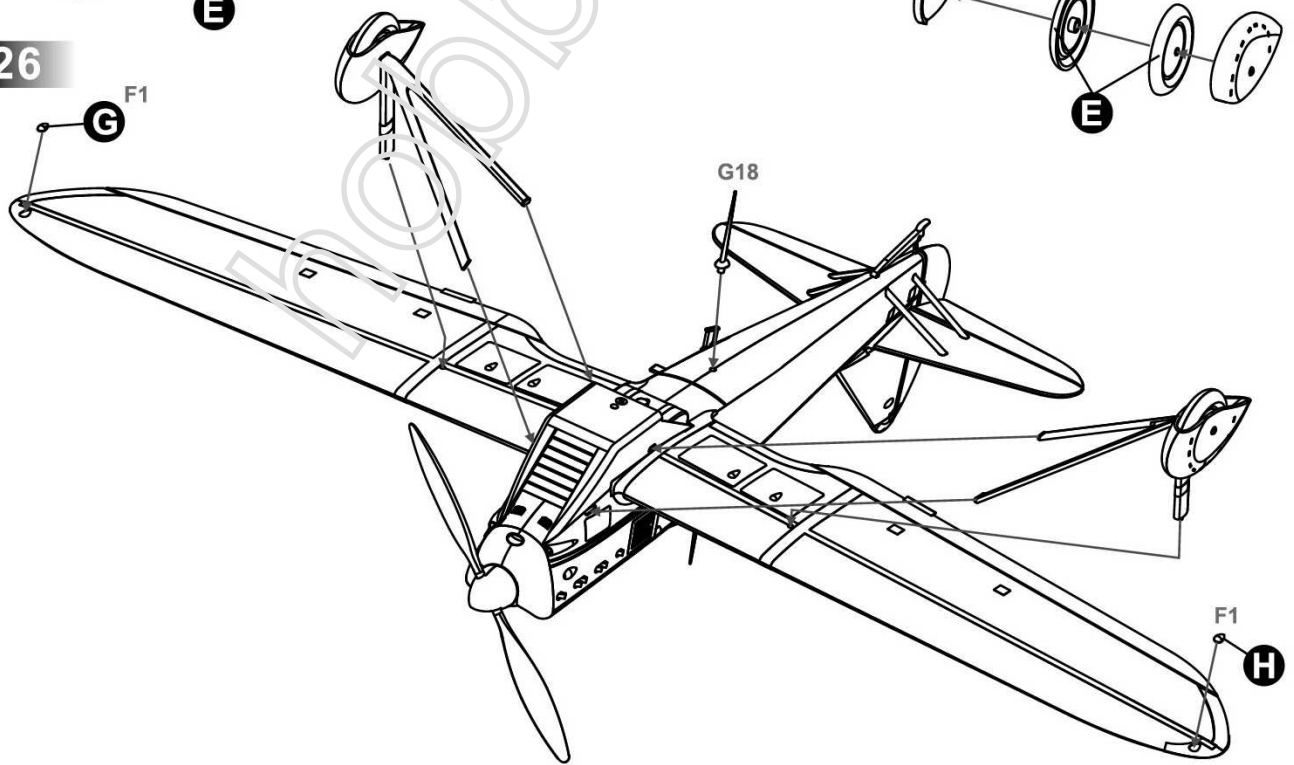
24



25

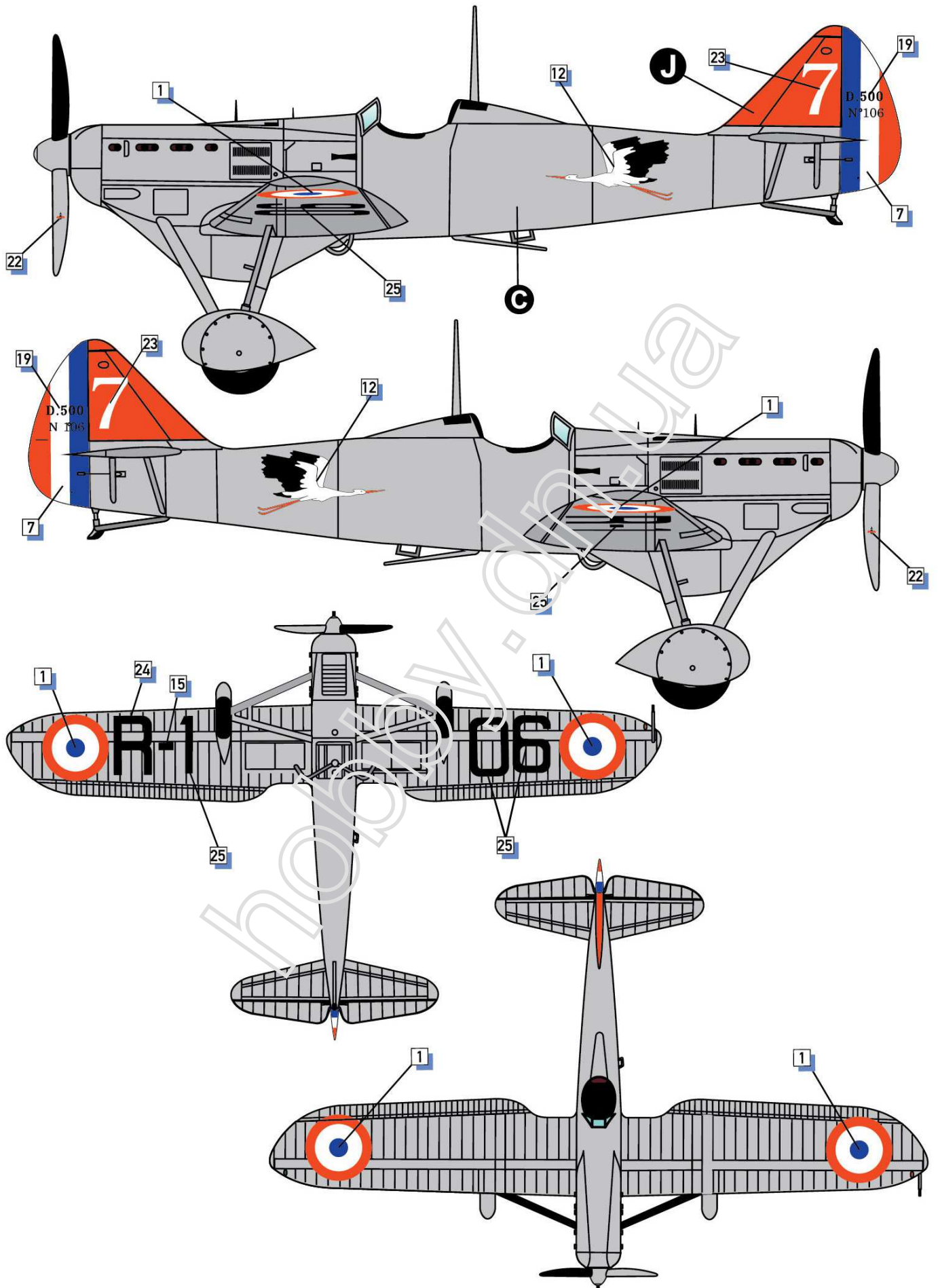


26

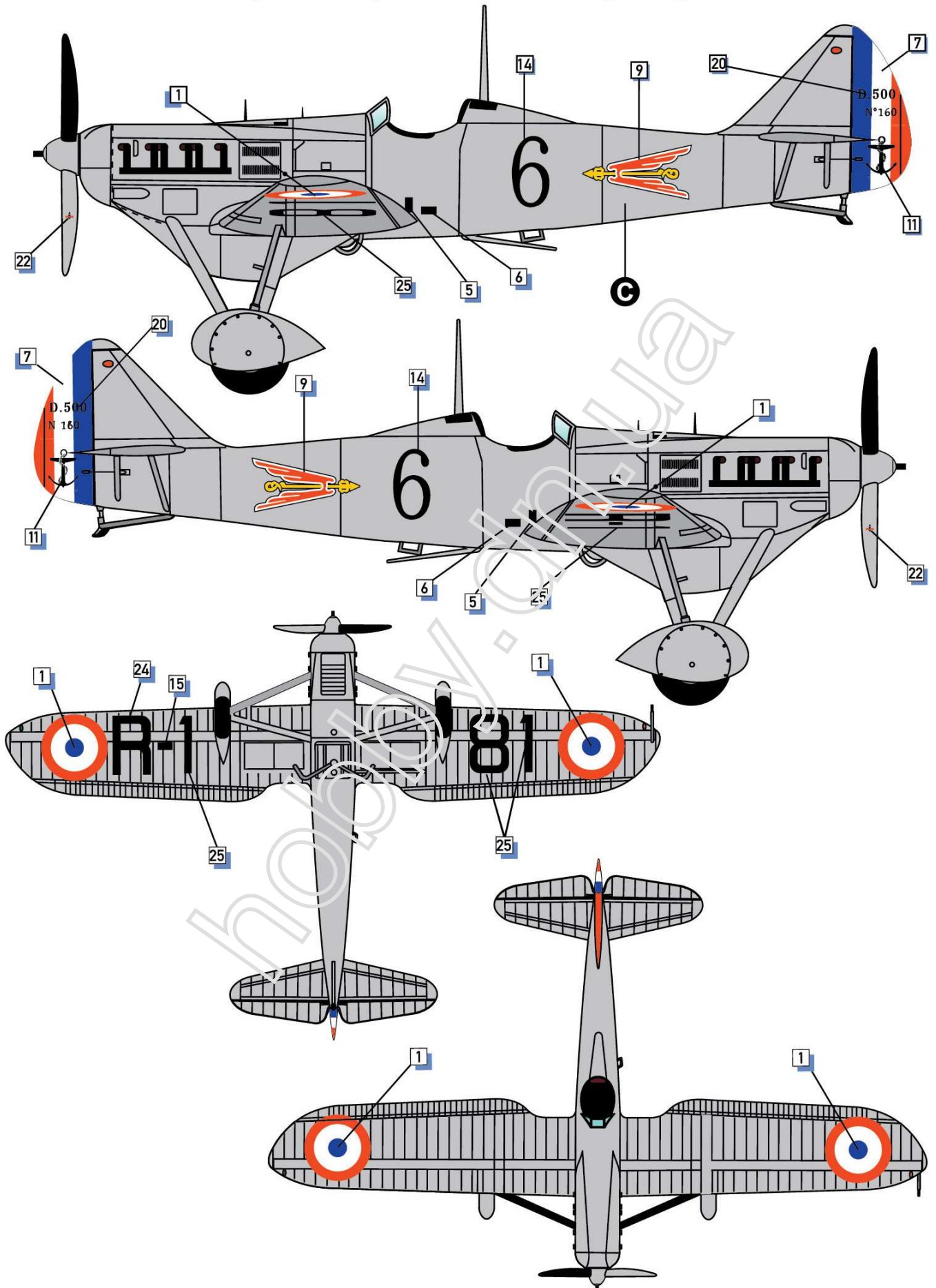




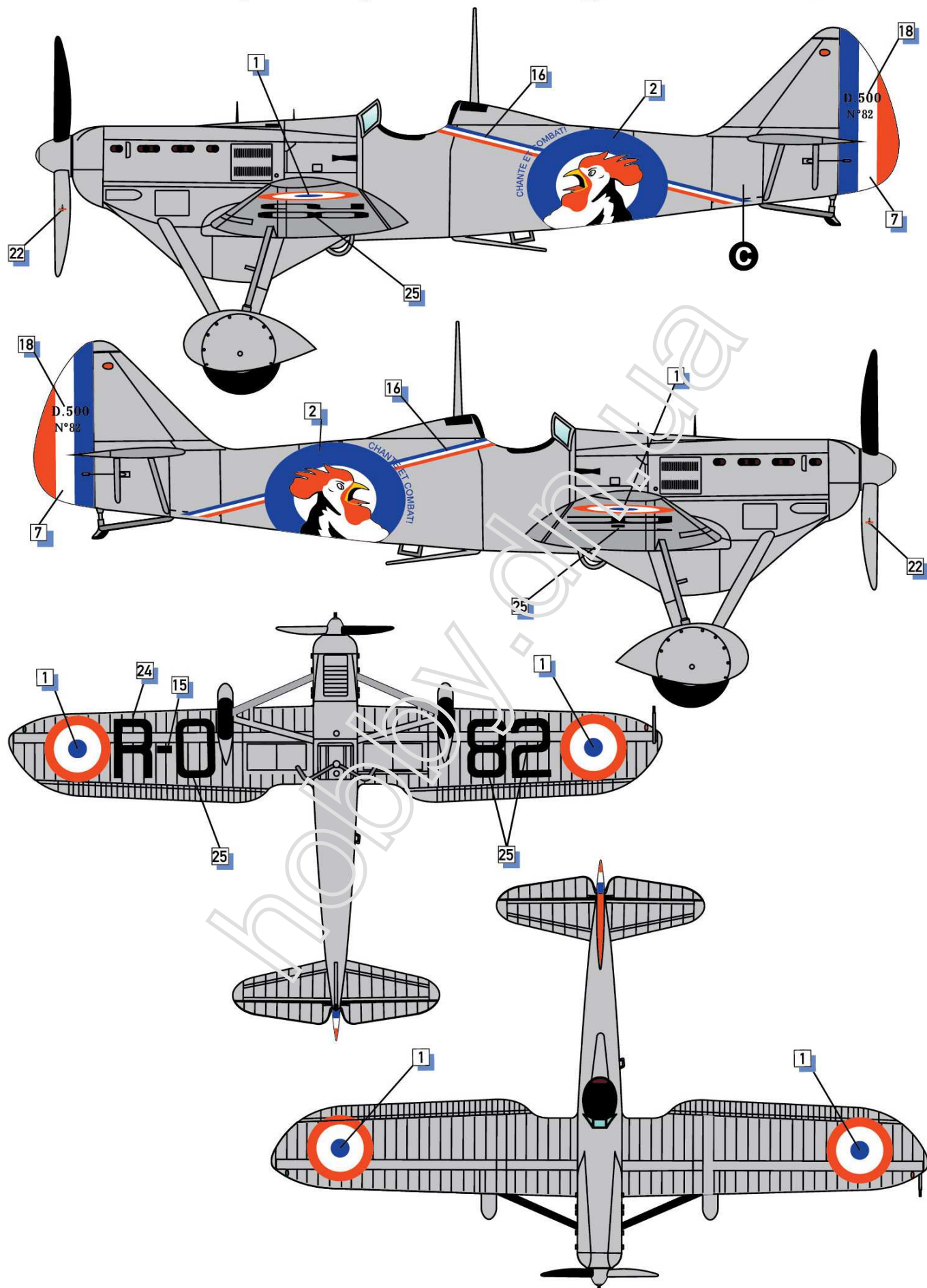
# D.500 №106 (R-106) of the 4 Sqn of GC II/5 "La Fayette", 1937



# D.500 №160 (R-181) of the Navy Sqn 3C2, 1935



# D.500 N°82 (R-082) of the 2 Sqn of GC I/1, 1935





# D.500 №111 (R-111?) Rene Fonk aircraft, 1930-th

