



# Percival Proctor Mk.III in civil service

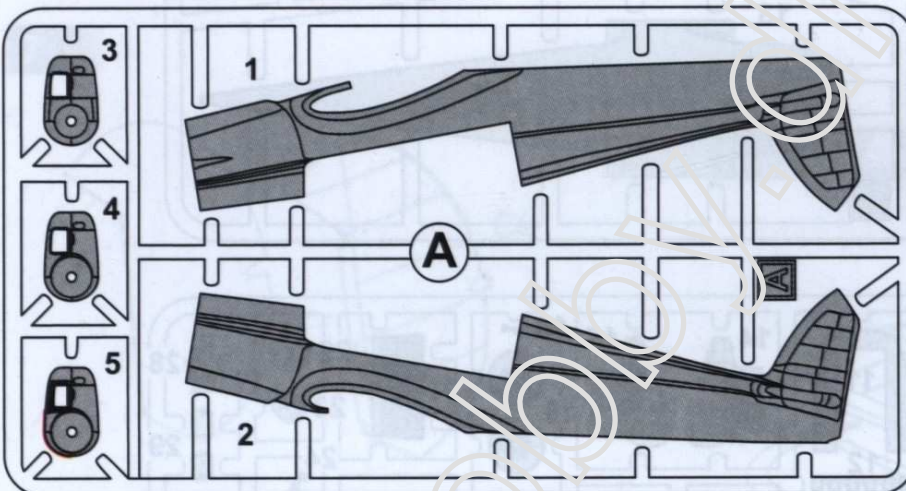
1/48 SCALE MODEL CONSTRUCTION KIT

Ready to assemble scale models kit.  
Contains part for one model.  
Model length: 166 mm  
Wingspan: 252 mm  
Plastic parts: 106  
Photoetched parts: 19

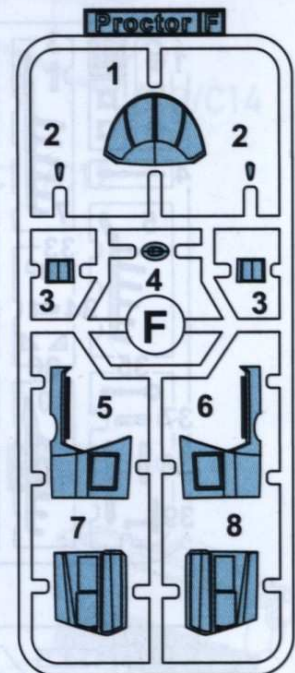
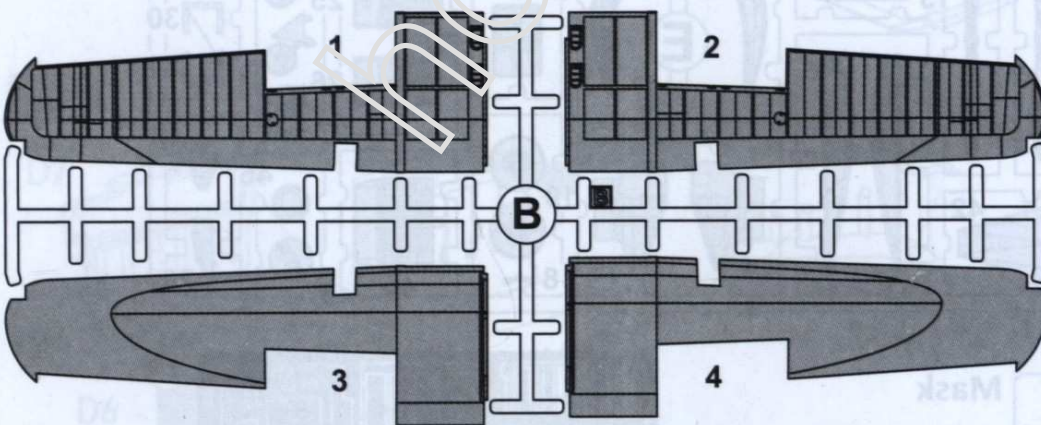
The Proctor was developed from the Percival Vega Gull in response to Air Ministry Specification 20/38 for a radio trainer and communications aircraft. A total of 1143 pcs were built. Mod. P.34 Proctor III - three-seat radio trainer for Bomber Command radio operators, 437 built.

The Percival Proctor was created on the basis of the original drawings, which were given to the company of Dora Wings by **Mr. John Adams (Aeroclub company)**. He also advised the designers of the company, and provided help. The team of Dora Wings expresses great gratitude to John Adams for help and advice. You're the man John!

## PARTS OF THE MODEL

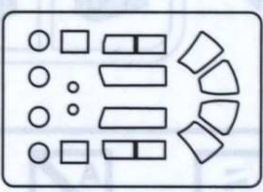
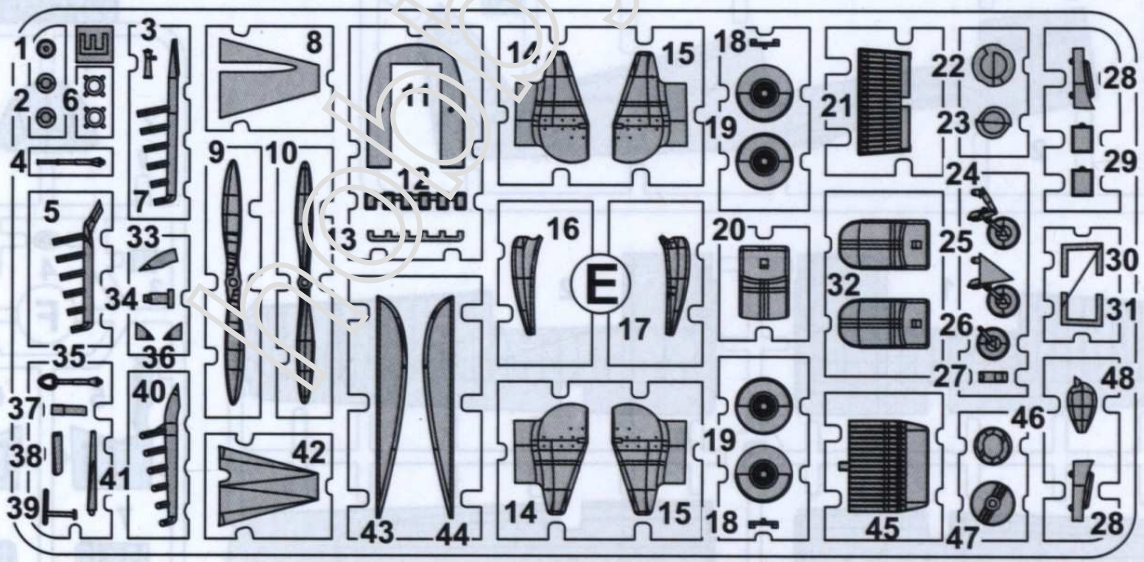
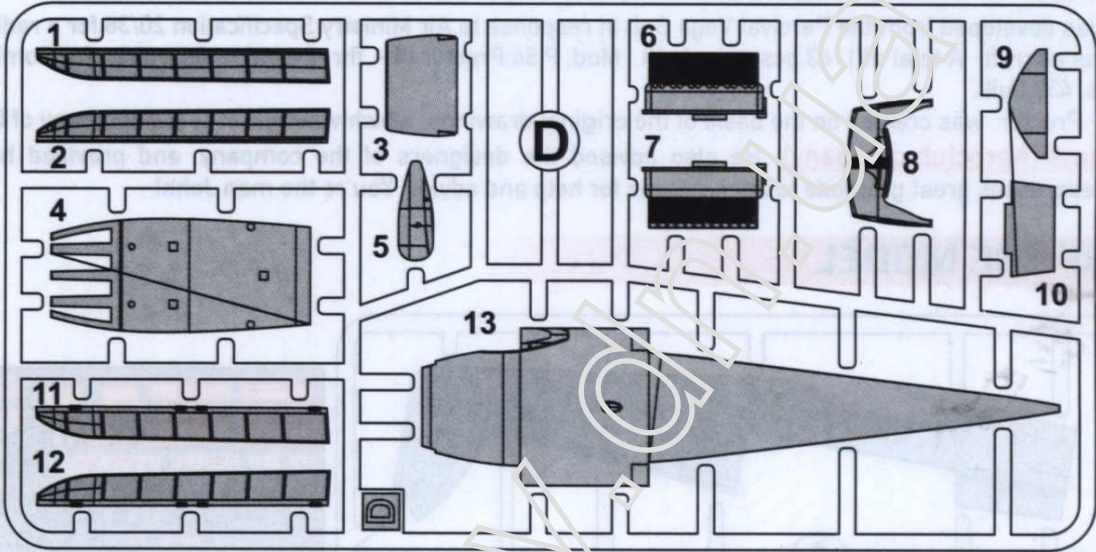
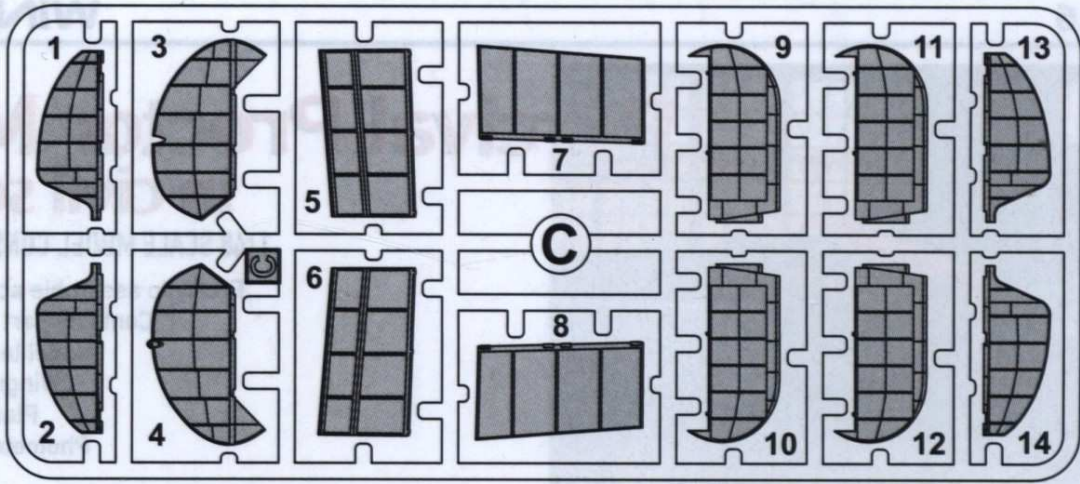


Decal

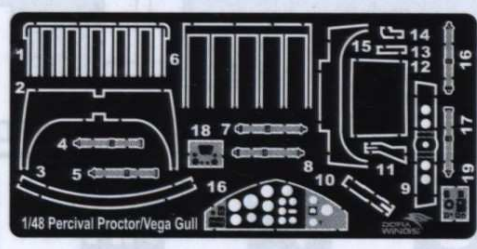


### USED SYMBOLS





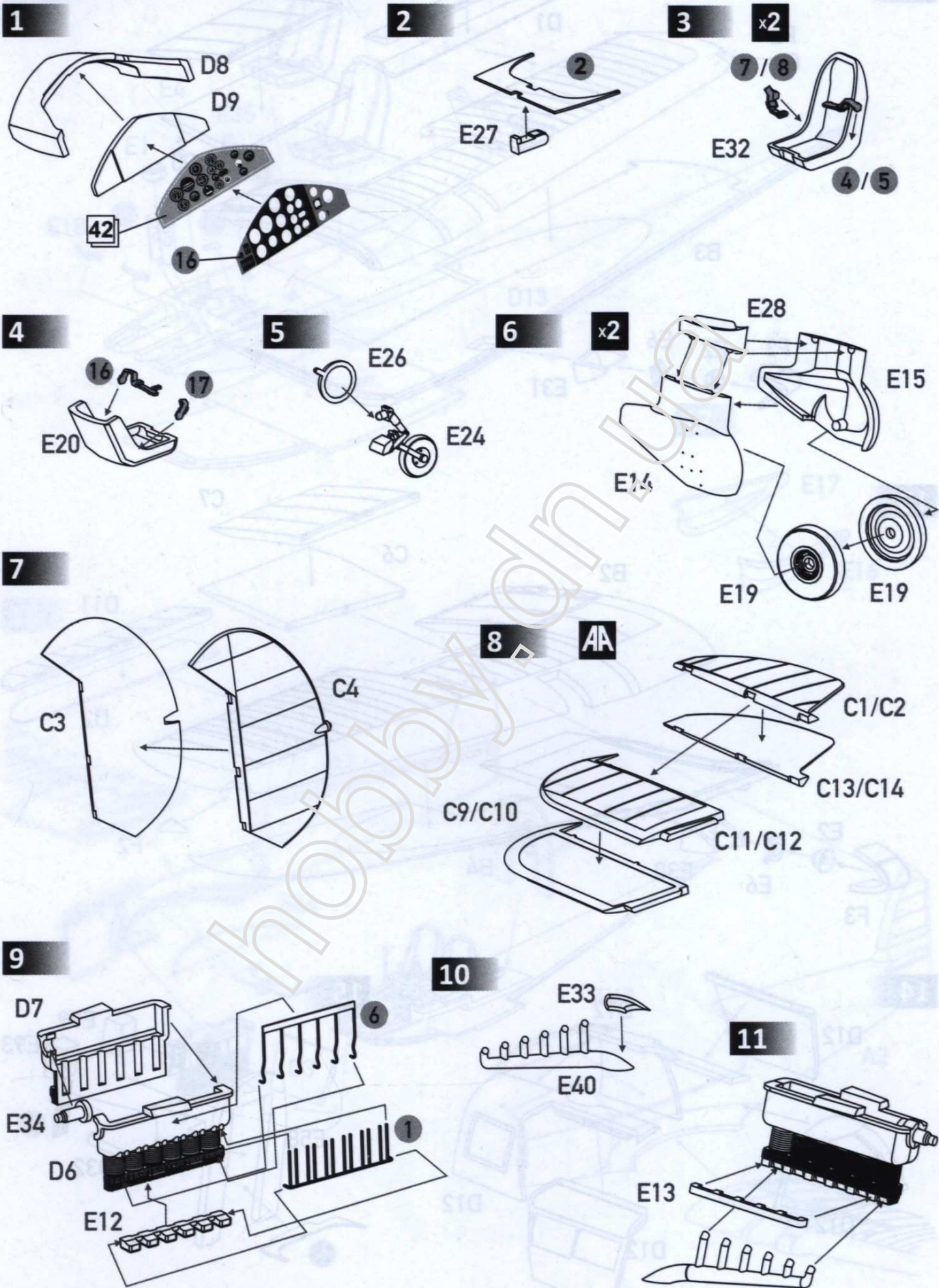
Mask



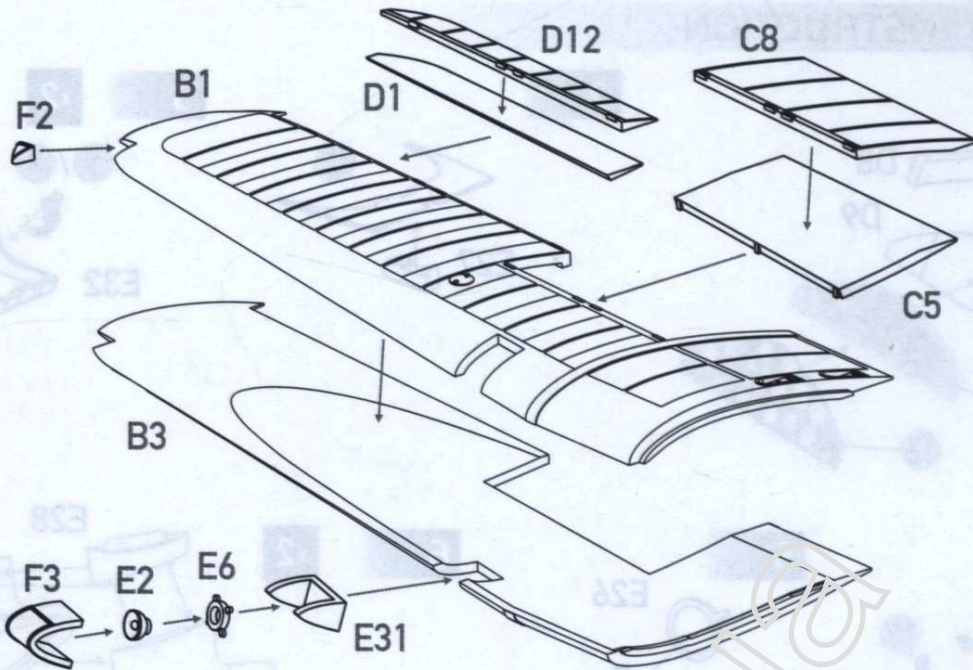
Pe

1/48 Percival Proctor/Vega Gull

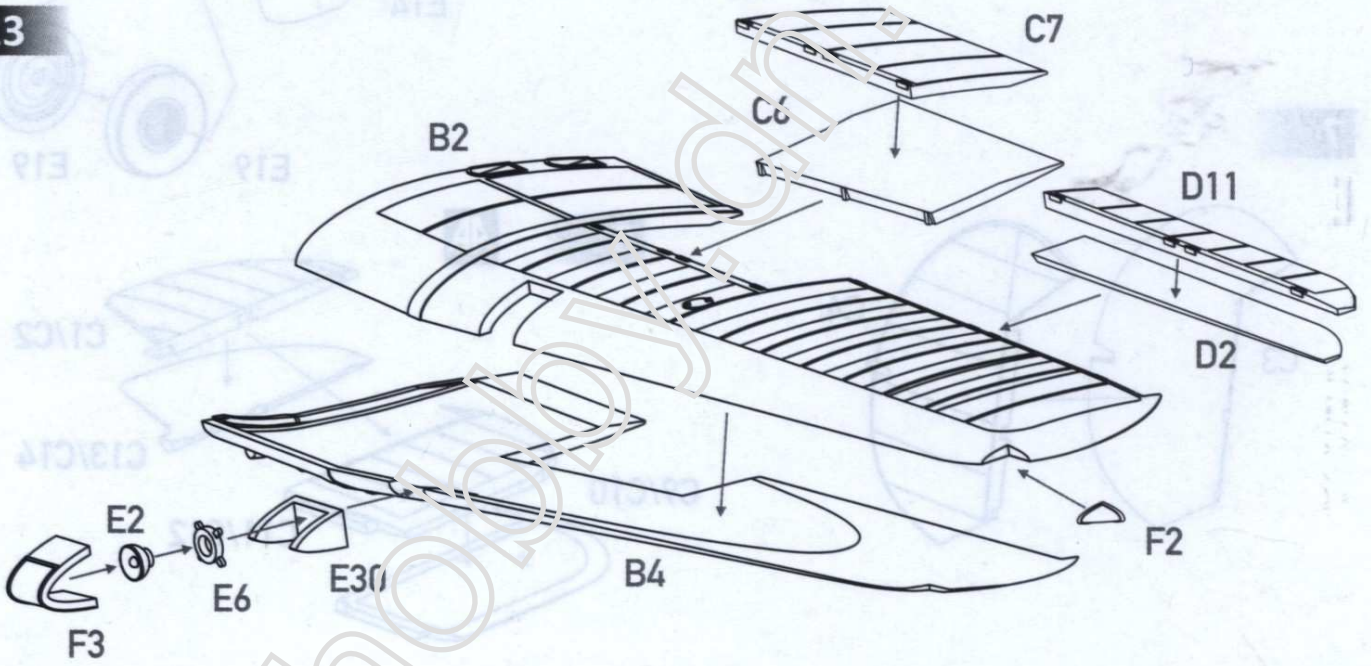
# ASSEMBLY INSTRUCTION



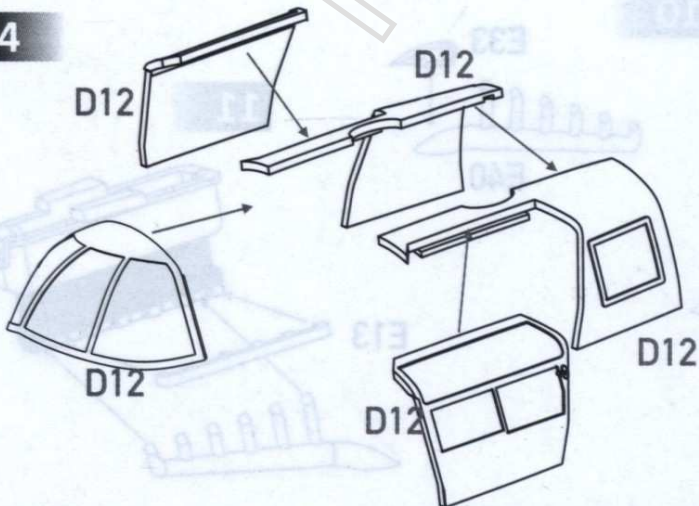
12



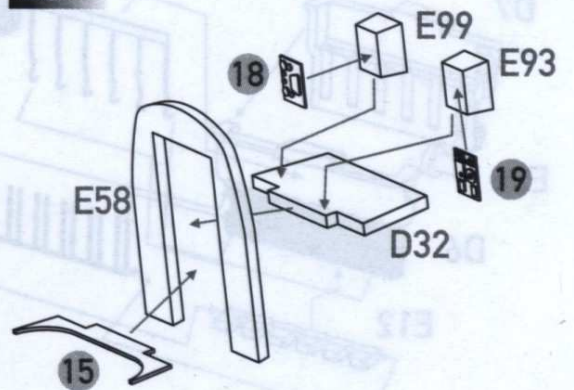
13



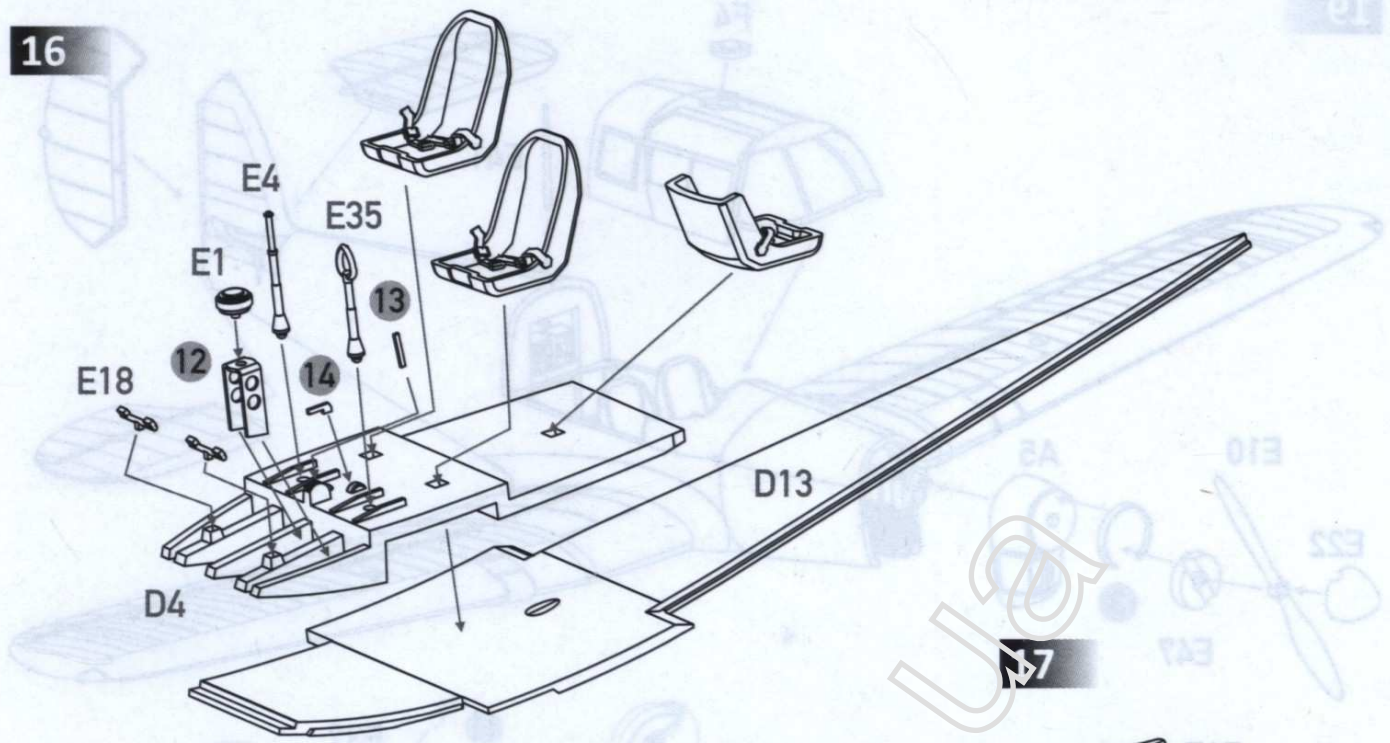
14



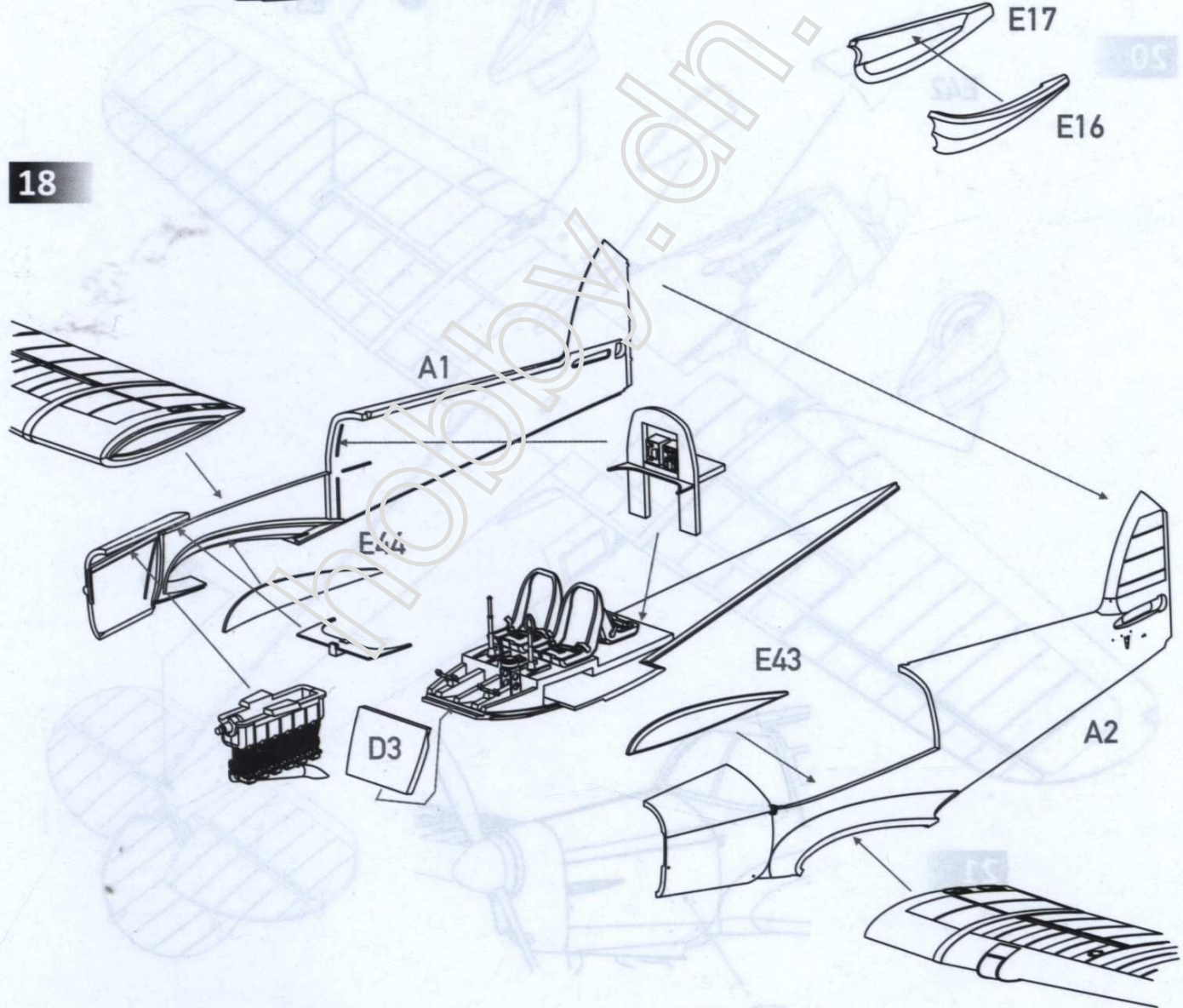
15



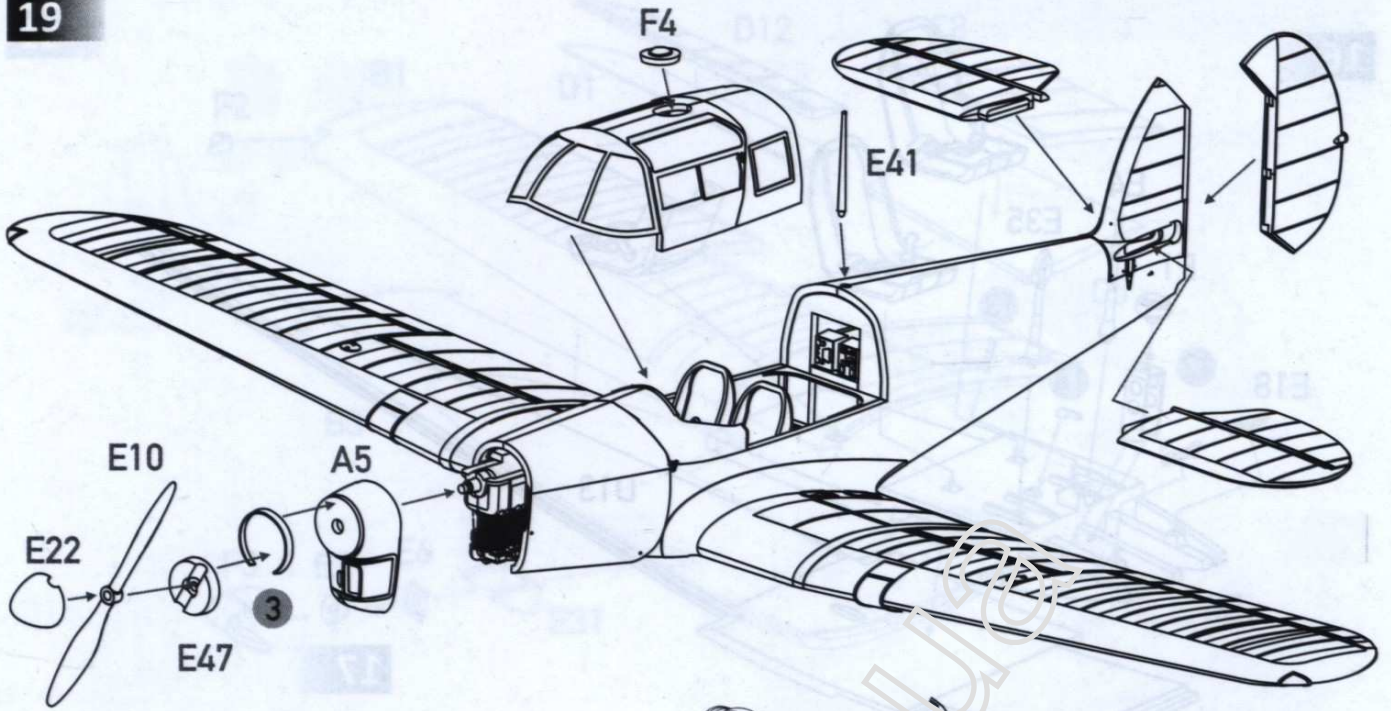
16



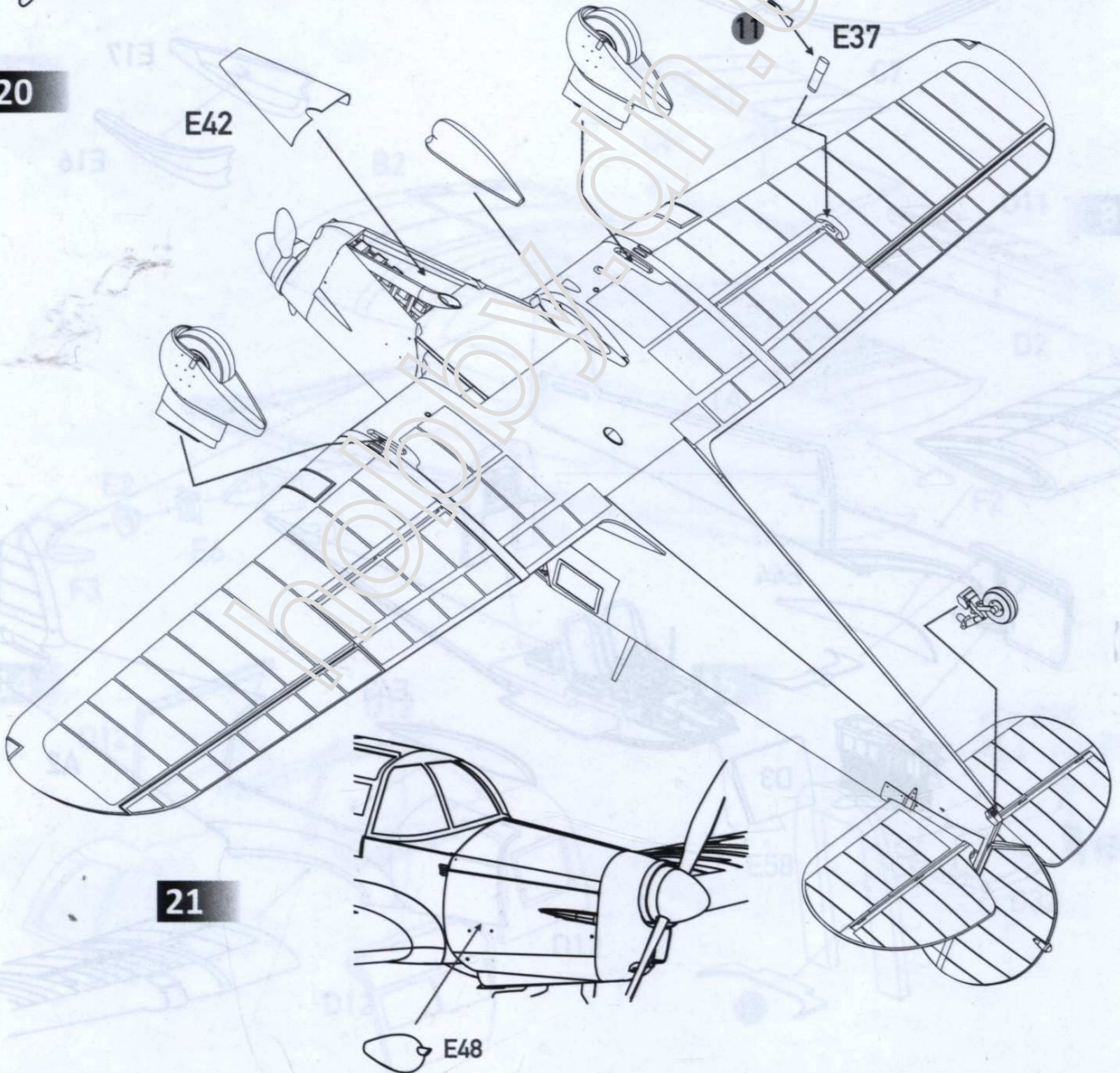
18



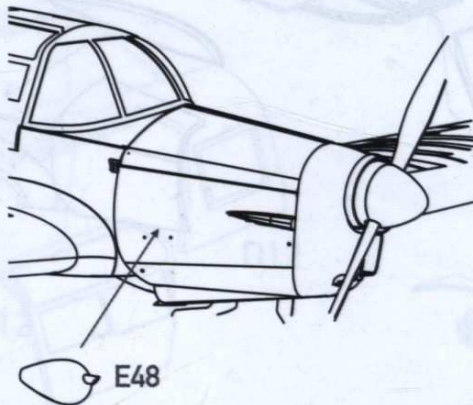
19



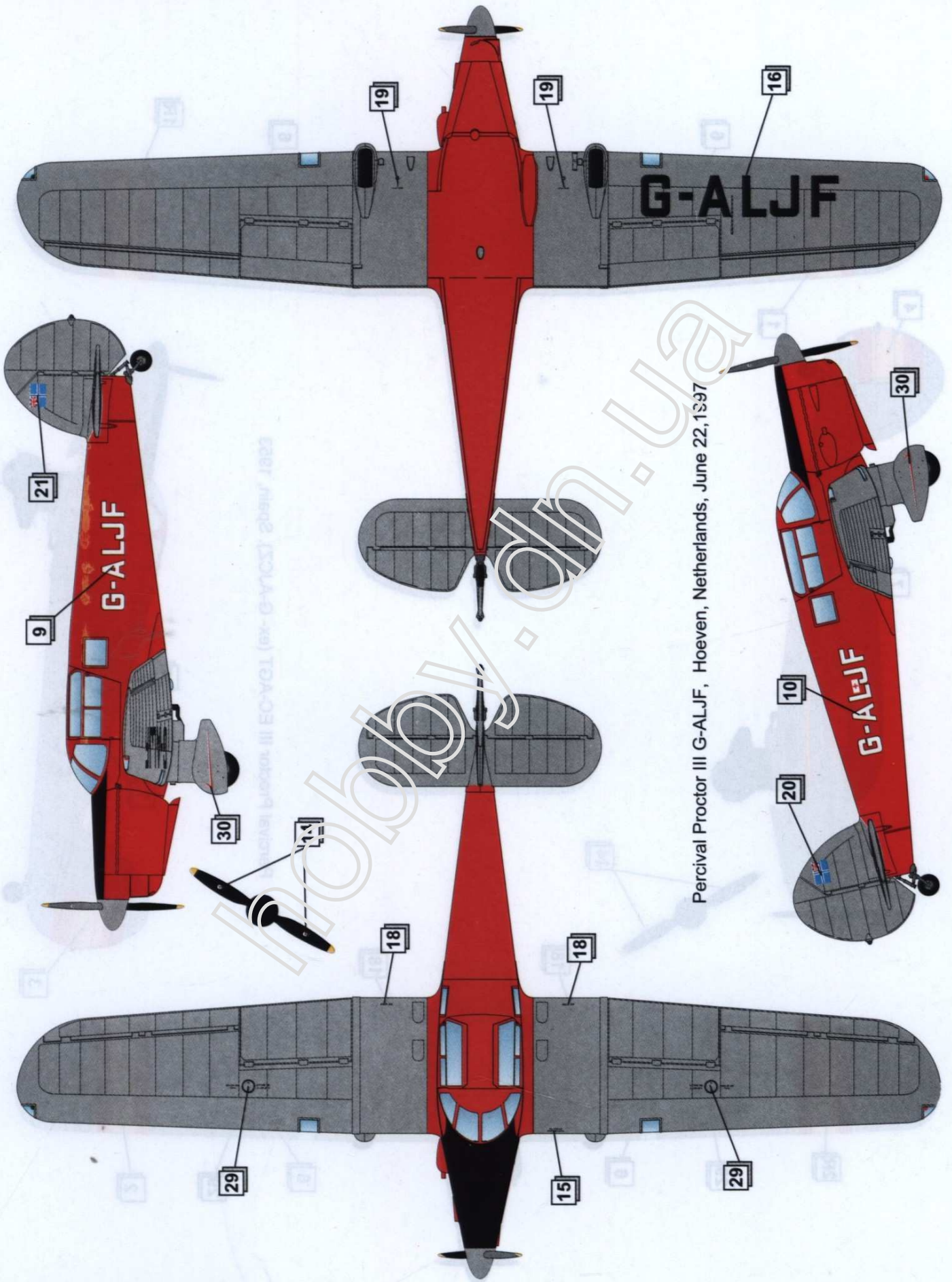
20



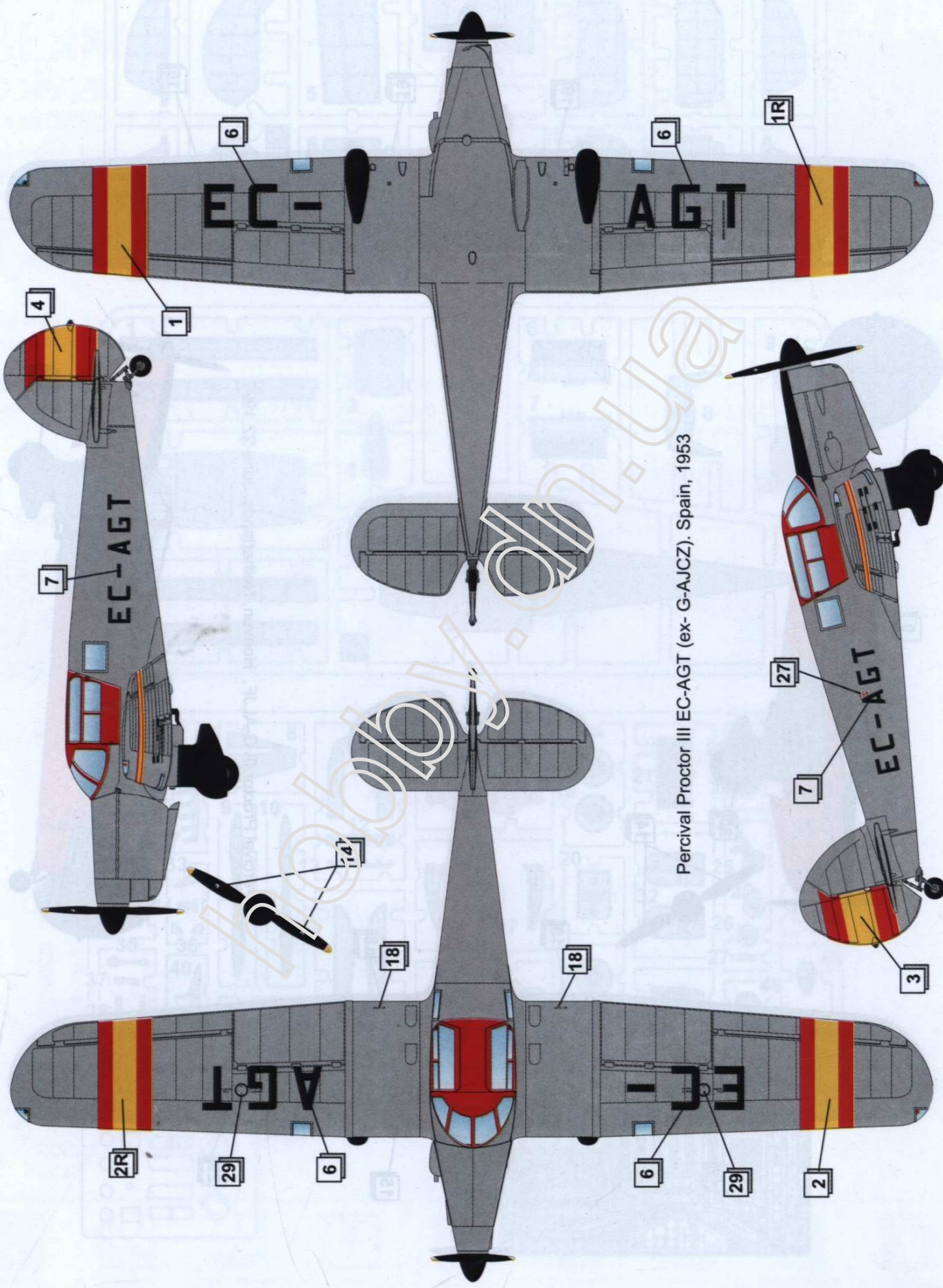
21



# COLOR SCHEME



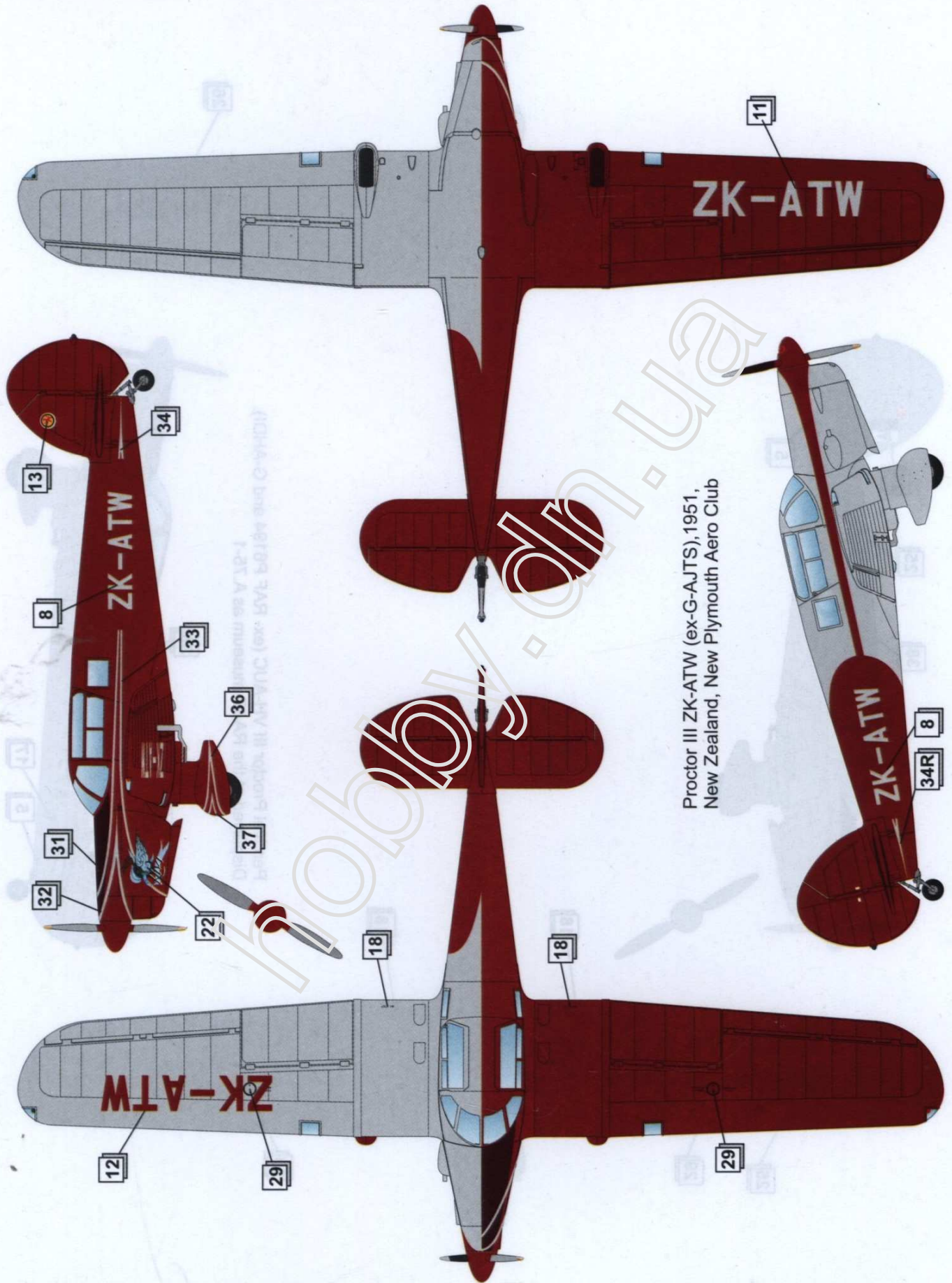
Percival Proctor III G-ALJF, Hoeven, Netherlands, June 22, 1997



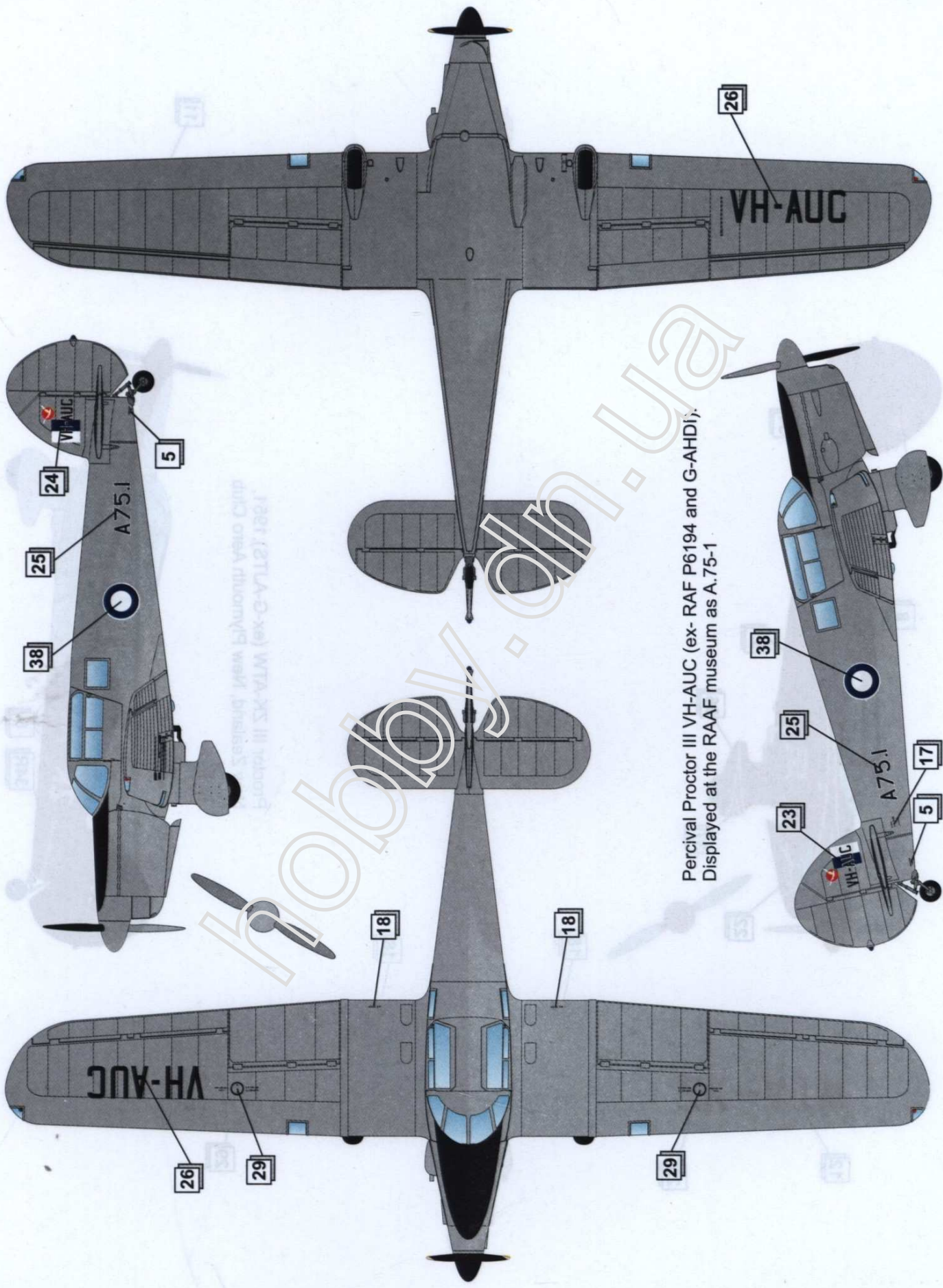
Percival Proctor III EC-AGT (ex-G-AJCZ). Spain, 1953



COLOR SCHEME



Proctor III ZK-ATW (ex-G-AJTS), 1951,  
New Zealand, New Plymouth Aero Club



Percival Proctor III VH-AUC (ex- RAF P6194 and G-AHDI).  
 Displayed at the RAAF museum as A.75-1